

M62342P,FP

8-BIT 2CH D-A CONVERTER WITH BUFFER AMPLIFIERS

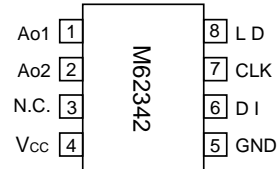
GENERAL DESCRIPTION

The M62342P,FP is a CMOS 2 channel D-A converter with output buffer amplifiers.

It can communicate with a microcontroller via few wiring thanks to the adoption of the three-line DI,CLK,LD.

The output buffer amplifier employs AB class output with sinking and sourcing capability of more than 1.0mA , and an output voltage range is nearly between ground and Vcc.

PIN CONFIGURATION (TOP VIEW)



Outline 8P4 (P)
8P2S-A (FP)

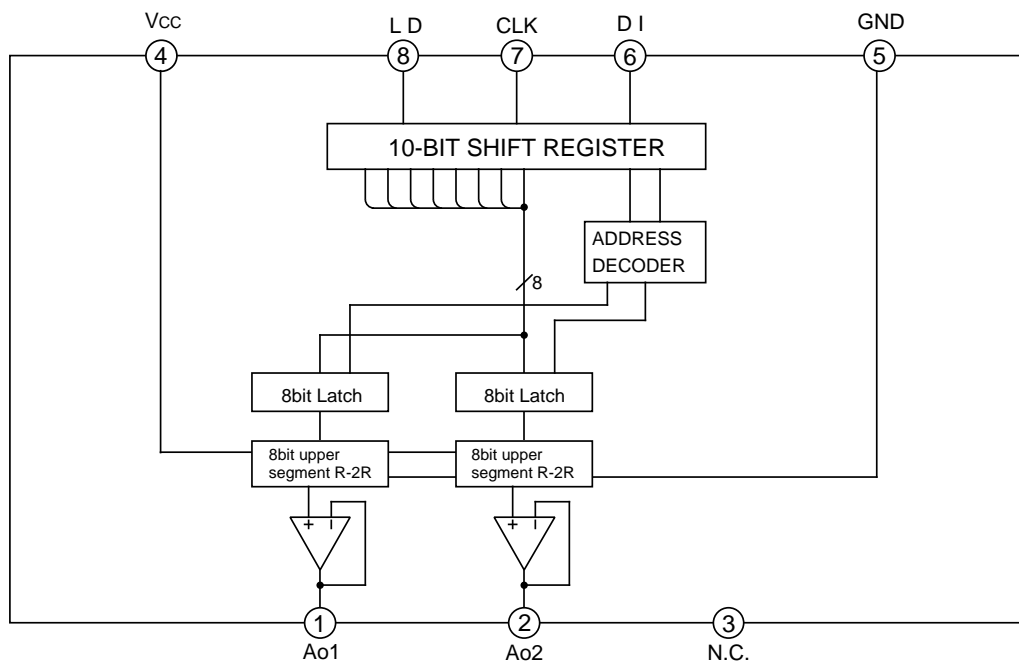
FEATURES

- 10bit serial data input (3-wire serial transfer method)
- Wide output voltage range
Nearly between ground and Vcc(0 to 5V)
- High output current drive capability
over $\pm 1.0\text{mA}$

APPLICATION

Conversion from digital data to analog control data for both consumer and industrial equipment.
Gain control and automatic adjustment of DISPLAY-MONITOR or CTV.

BLOCK DIAGRAM



M62342P,FP**8-BIT 2CH D-A CONVERTER WITH BUFFER AMPLIFIERS****EXPLANATION OF TERMINALS**

PIN No.	Symbol	Function
⑥	DI	Serial data input terminal
⑦	CLK	Shift clock input terminal. Input signal at DI pin is input to 10-bit shift register at rise of shift clock pulse.
⑧	LD	When H-level signal is input to this terminal, the value stored in 10-bit shift register is loaded in decoder and D-A converter output register.
①	Ao1	8bit D-A converter output terminal
②	Ao2	
④	Vcc	Power supply terminal
⑤	GND	GND

ABSOLUTE MAXIMUM RATING

Symbol	Parameter	Conditions	Ratings	Unit
Vcc	Supply voltage		-0.3 to 7.0	V
Vin	Input voltage		-0.3 to Vcc+0.3	V
Vo	Output voltage		-0.3 to Vcc+0.3	V
Pd	Power dissipation		417 (DIP) / 272 (FP)	mW
Topr	Operating temperature		-20 to +85	°C
Tstg	Storage temperature		-55 to +125	°C

ELECTRICAL CHARACTERISTICS (Vcc=+5V±10%, GND=0V, Ta=-20 to 85°C unless otherwise noted)

Symbol	Parameter	Test conditions	Ratings			Unit
			Min	Typ	Max	
Vcc	Supply voltage		2.7	5.0	5.5	V
ICC	Supply current	CLK=1MHz, IAO=0μA DACdata:6Ah(at maximum current)	0	0.7	2.5	mA
		DI=CLK=LD=GND, IAO=0μA	0	0.5	1.6	mA
IILK	Input leak current	VIN=0 to Vcc	-10		10	μA
VIL	Input low voltage				0.2Vcc	V
VIH	Input high voltage		0.5Vcc			V
VAO	Buffer amplifier output voltage range	IAO=±100μA	0.1		Vcc-0.1	V
		IAO=±500μA	0.2		Vcc-0.2	V
IAO	Buffer amplifier output drive range	Upper side saturation voltage=0.3V Lower side saturation voltage=0.2V	-1.0		1.0	mA
SDL	Differential nonlinearity	Vcc=5.12V (20mV/LSB) without load (IAO=0)	-1.0		1.0	LSB
SL	Nonlinearity		-1.5		1.5	LSB
SZERO	Zero code error		-2.0		2.0	LSB
SFULL	Full scale error		-2.0		2.0	LSB
Co	Output capacitive load				0.1	μF
Ro	Buffer amplifier output impedance			5.0		

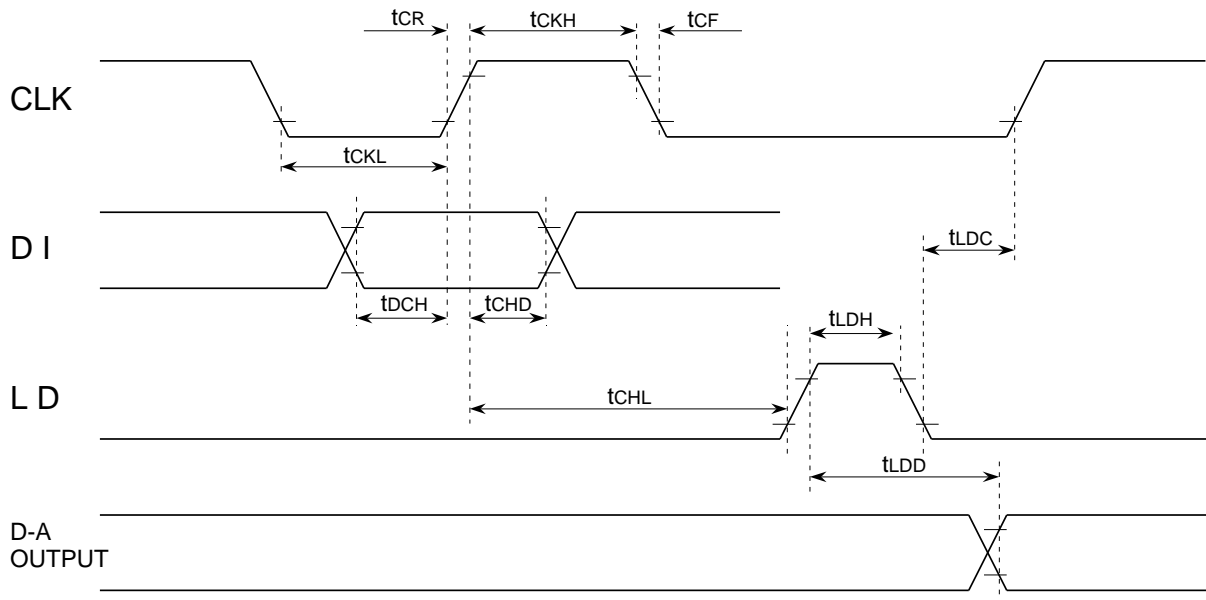
M62342P,FP

8-BIT 2CH D-A CONVERTER WITH BUFFER AMPLIFIERS

AC CHARACTERISTICS (V_{CC}=+5V±10%,GND=0V,T_a=-20 to 85°C unless otherwise noted)

Symbol	Parameter	Test condition	Limits			Unit
			Min	Typ	Max	
tCKL	Clock "L" pulse width		200			nS
tCKH	Clock "H" pulse width		200			nS
tCR	Clock rise time				200	nS
tCF	Clock fall time					
tDCH	Data setup time		30			nS
tCHD	Data hold time		60			nS
tCHL	LD setup time		200			nS
tLDC	LD hold time		100			nS
tLDH	LD "H" pulse time		100			nS
tLDD	D-A output setting time	CL 100pF VAO:0.5V<=>4.5V The time until the output becomes the final value of 1/2LSB			300	μS

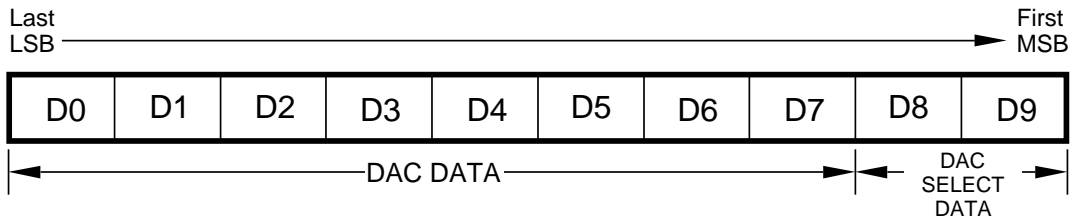
TIMING CHART



M62342P,FP

8-BIT 2CH D-A CONVERTER WITH BUFFER AMPLIFIERS

DIGITAL DATA FORMAT



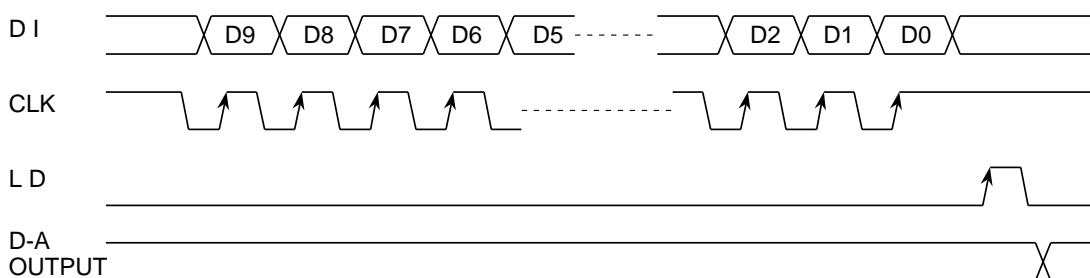
(1) DAC SELECT DATA

D8	D9	DAC selection
0	0	Ao1selection
1	0	Ao2selection
0	1	Don't care
1	1	Don't care

(2) DAC DATA

D0	D1	D2	D3	D4	D5	D6	D7	DAC output
0	0	0	0	0	0	0	0	$V_{CC}/256 \times 1$
1	0	0	0	0	0	0	0	$V_{CC}/256 \times 2$
0	1	0	0	0	0	0	0	$V_{CC}/256 \times 3$
1	1	0	0	0	0	0	0	$V_{CC}/256 \times 4$
:	:	:	:	:	:	:	:	:
0	1	1	1	1	1	1	1	$V_{CC}/256 \times 255$
1	1	1	1	1	1	1	1	$V_{CC}/256 \times 256$

TIMING CHART (MODEL)



M62342P,FP

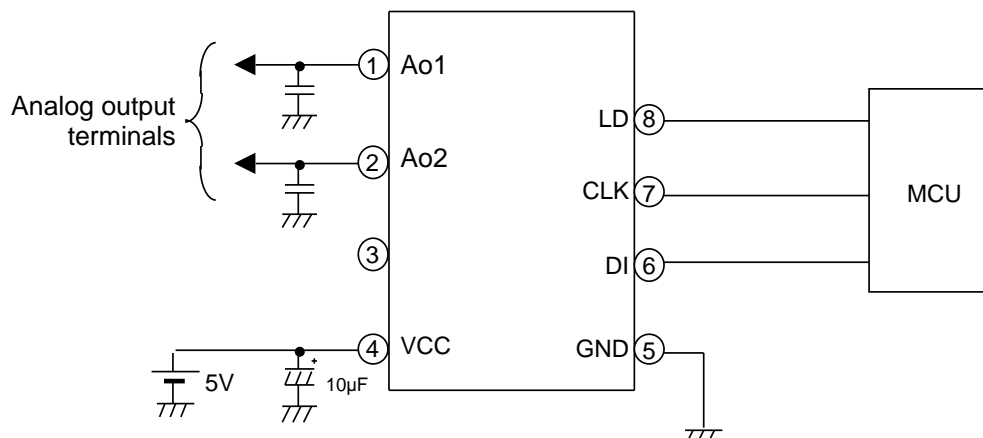
8-BIT 2CH D-A CONVERTER WITH BUFFER AMPLIFIERS

PRECAUTION FOR USE

Supply voltage terminal(Vcc) is also used for D-A converter upper reference voltage setting. IF ripple or spike is input this terminal,accuracy of D-A conversion is down. So,when use this device,please connect capacitor among Vcc to GND for stable D-A conversion.

This IC's output amplifier has an advantage to capacitive load.So it's no problem at device action when connect capacitor (0.1μF MAX) among output to GND for every noise eliminate.

< Standard application circuit >



Keep safety first in your circuit designs!

- Mitsubishi Electric Corporation puts the maximum effort into making semiconductor products better and more reliable, but there is always the possibility that trouble may occur with them. Trouble with semiconductors may lead to personal injury, fire or property damage. Remember to give due consideration to safety when making your circuit design, in order to prevent fires from spreading, redundancy, malfunction or other mishap.