

## MSM6595A-xxx

### 1-Mbit Serial Voice ROM

#### GENERAL DESCRIPTION

The MSM6595A is a MSM6595 short TAT process version.

The MSM6595A is a serial voice ROM with a 1,048,576-word × 1-bit configuration.

The MSM6595A has a built-in internal address-generating circuit. A single, external clock input allows continuous, serial read operations. The internal addresses are automatically incremented by 1 by read operation. 1024 words in X direction and 1024 words in Y direction can be addressed by inputting external serial addresses. A read and playback device with predetermined messages can easily be configured by storing voice data into the MSM6595A and by combining it with one of Oki's recording and playback ICs and a serial register IC.

A serial register is required to drive the MSM6595A by the MSM6388 or MSM6588. (The MSM6595A does not operate without a serial register.)

The major differences between the MSM6595A and MSM6595 are shown below.

#### MSM6595A DC Characteristics

$V_{DD} = 2.7$  to  $5.5$  V,  $T_a = -40$  to  $+85^\circ\text{C}$

Parameter	Symbol	Condition	Min	Typ	Max	Unit	
Current consumption (1)	$I_{DD}$	$t_{RDC} = 2.5 \mu\text{s}$	—	9	20	mA	
Current consumption (2)	$I_{DS}$	$\overline{CS} = V_{DD} - 0.2$ V	$T_a = -40$ to $+70^\circ\text{C}$	—	—	10	$\mu\text{A}$
			$T_a = -40$ to $+85^\circ\text{C}$	—	—	50	

Typical values are at  $V_{DD} = 5.0$  V,  $T_a = 25^\circ\text{C}$ .

#### MSM6595 DC Characteristics

$V_{DD} = 3.5$  to  $5.5$  V,  $T_a = -40$  to  $+85^\circ\text{C}$

Parameter	Symbol	Condition	Min	Typ	Max	Unit
Current consumption (1)	$I_{DD}$	$t_{RDC} = 2.5 \mu\text{s}$	—	—	15	mA
Current consumption (2)	$I_{DS}$	$\overline{CS} = V_{DD} - 0.2$ V	—	—	10	$\mu\text{A}$

#### FEATURES

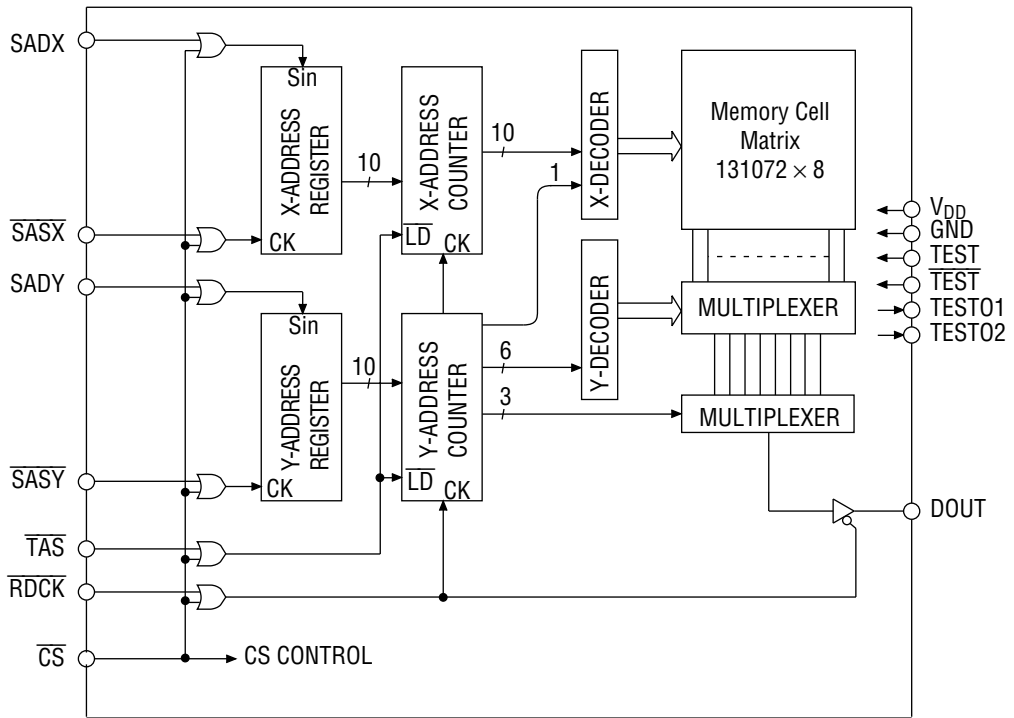
- Configuration : 1,048,576 words × 1 bit
- Serial access : Read cycle time of 2.5  $\mu\text{s}$
- Shorter-TAT processing
- Power-supply voltage : 2.7 to 5.5 V

#### • Package options :

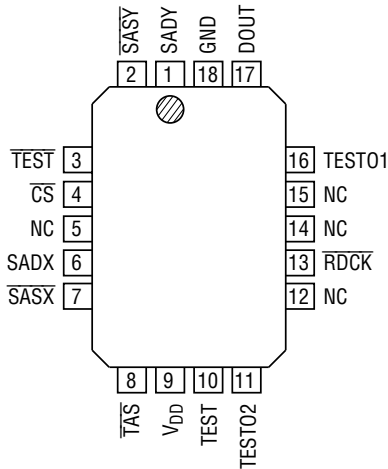
- 18-pin plastic QFJ (QFJ18-P-R290-1.27)
- 24-pin plastic SOP (SOP24-P-430-1.27-K)
- 18-pin plastic DIP (DIP18-P-300-2.54)
- 30-pin plastic SSOP (SSOP30-P-56-0.65-K)

- (Product Name : MSM6595A-xxxJS)
  - (Product Name : MSM6595A-xxxGS-K)
  - (Product name : MSM6595A-xxxRS)
  - (Product name : MSM6595A-xxxGS-AK)
- xxx indicates the code number

**BLOCK DIAGRAM**

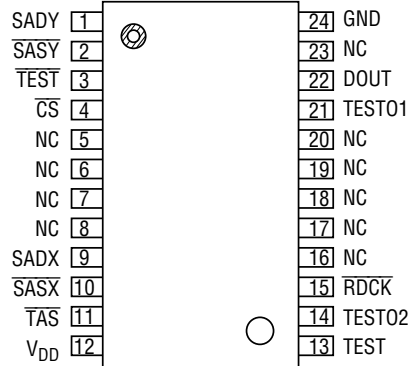


**PIN CONFIGURATIONS (TOP VIEW)**



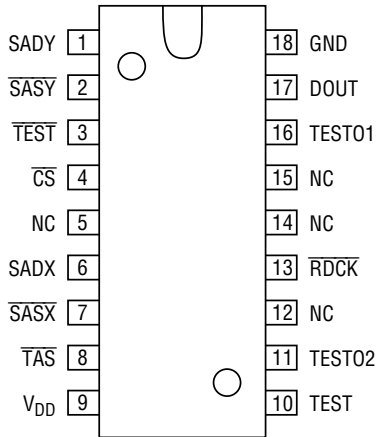
NC : No connection

**18-Pin Plastic QFJ**



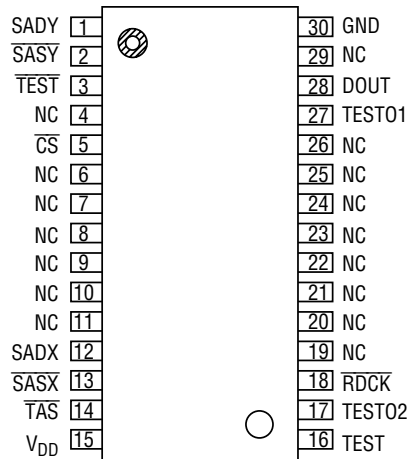
NC : No connection

**24-Pin Plastic SOP**



NC : No connection

**18-Pin Plastic DIP**



NC : No connection

**30-Pin Plastic SSOP**

**PIN DESCRIPTIONS**

Pin				Symbol	Type	Description
QFJ	SOP	DIP	SSOP			
9	12	9	15	V <sub>DD</sub>	—	Power supply pin. Insert a bypass capacitor of 0.1 μF or more between this pin and the GND pin.
18	24	18	30	GND	—	Ground pin
6	9	6	12	SADX	I	(SERIAL ADDRESS) This pin inputs the starting X address of a read operation. Addressing in units of 1024 words is possible. The 1024-word address data can be input as 10-bit (AX0 - AX9) serial data via the SADX pin.
1	1	1	1	SADY	I	(SERIAL ADDRESS) This pin inputs the starting Y address of a read operation. Addressing in units of 1024 words is possible. The 1024-word address data can be input as 10-bit (AY0 - AY9) serial data via the SADY pin.
7	10	7	13	$\overline{\text{SASX}}$	I	(SERIAL ADDRESS STROBE) This is the clock input pin which is used to store the serial address data of the X address into the device's internal register.
2	2	2	2	$\overline{\text{SASY}}$	I	(SERIAL ADDRESS STROBE) This is the clock input pin to store the serial address data of the Y address into the device's internal register.
8	11	8	14	$\overline{\text{TAS}}$	I	(ADDRESS TRANSFER STROBE) This is the input pin for loading the serial address data into the internal address counter. The X and Y addresses are stored at the falling edge of $\overline{\text{TAS}}$ .
13	15	13	18	$\overline{\text{RDCK}}$	I	(READ CLOCK) This is the clock input pin for reading information out of the data register. Internal operation starts at the falling edge of $\overline{\text{RDCK}}$ . The information in the data register is output on the DOUT pin. The internal address counter is automatically incremented at the falling edge of $\overline{\text{RDCK}}$ .
17	22	17	28	DOUT	O	(DATA OUT) The data output pin is always kept in a high-impedance state when $\overline{\text{RDCK}}$ or $\overline{\text{CS}}$ is kept at "H". This pin reflects the "H" or "L" level data being read, and the current data is held until $\overline{\text{RDCK}}$ is asserted High.
4	4	4	5	$\overline{\text{CS}}$	I	(CHIP SELECT) Setting this pin to "H" disables all input and output pins. This pin enables parallel use of multiple serial voice ROMs by connecting the data output pins.
10	13	10	16	TEST	I	Pins for testing. Apply a "L" level to the TEST pin and "H" level to the $\overline{\text{TEST}}$ pin.
3	3	3	3	$\overline{\text{TEST}}$		
16	21	16	27	TESTO1	O	Pins for testing. Leave these pins open.
11	14	11	17	TESTO2		

**ABSOLUTE MAXIMUM RATINGS**

Parameter	Symbol	Condition	Rating	Unit
Power Supply Voltage	V <sub>DD</sub>	T <sub>a</sub> = 25°C	-0.3 to +7.0	V
Input Voltage	V <sub>IN</sub>	T <sub>a</sub> = 25°C	-0.3 to V <sub>DD</sub> +0.3	V
Storage Temperature	T <sub>STG</sub>	—	-55 to +150	°C

## RECOMMENDED OPERATING CONDITIONS

Parameter	Symbol	Condition	Range	Unit
Power Supply Voltage	$V_{DD}$	GND=0 V	2.7 to 5.5	V
Operating Temperature	$T_{op}$	—	-40 to +85	°C

## ELECTRICAL CHARACTERISTICS

### DC Characteristics

$V_{DD} = 2.7$  to  $5.5$  V,  $T_a = -40$  to  $+85^\circ\text{C}$

Parameter	Symbol	Condition	Min.	Typ.	Max.	Unit	
"H" Level Input Voltage	$V_{IH}$	—	$0.85 \times V_{DD}$	—	—	V	
"L" Level Input Voltage	$V_{IL}$	—	—	—	$0.15 \times V_{DD}$	V	
"H" Level Output Voltage	$V_{OH}$	$I_{OH} = -40 \mu\text{A}$	$V_{DD} - 0.3$	—	—	V	
"L" Level Output Voltage	$V_{OL}$	$I_{OL} = 2 \text{ mA}$	—	—	0.45	V	
"H" Level Input Current	$I_{IH}$	$V_{IH} = V_{DD}$	—	—	10	$\mu\text{A}$	
"L" Level Input Current	$I_{IL}$	$V_{IL} = \text{GND}$	-10	—	—	$\mu\text{A}$	
Current Consumption (1)	$I_{DD}$	$t_{RDC} = 2.5 \mu\text{s}$	—	9	20	mA	
Current Consumption (2)	$I_{DS}$	$\overline{\text{CS}} = V_{DD} - 0.2 \text{ V}$	$T_a = -40$ to $+70^\circ\text{C}$	—	—	10	$\mu\text{A}$
			$T_a = -40$ to $+85^\circ\text{C}$	—	—	50	

Typical values are at  $V_{DD} = 5.0$  V,  $T_a = 25^\circ\text{C}$ .

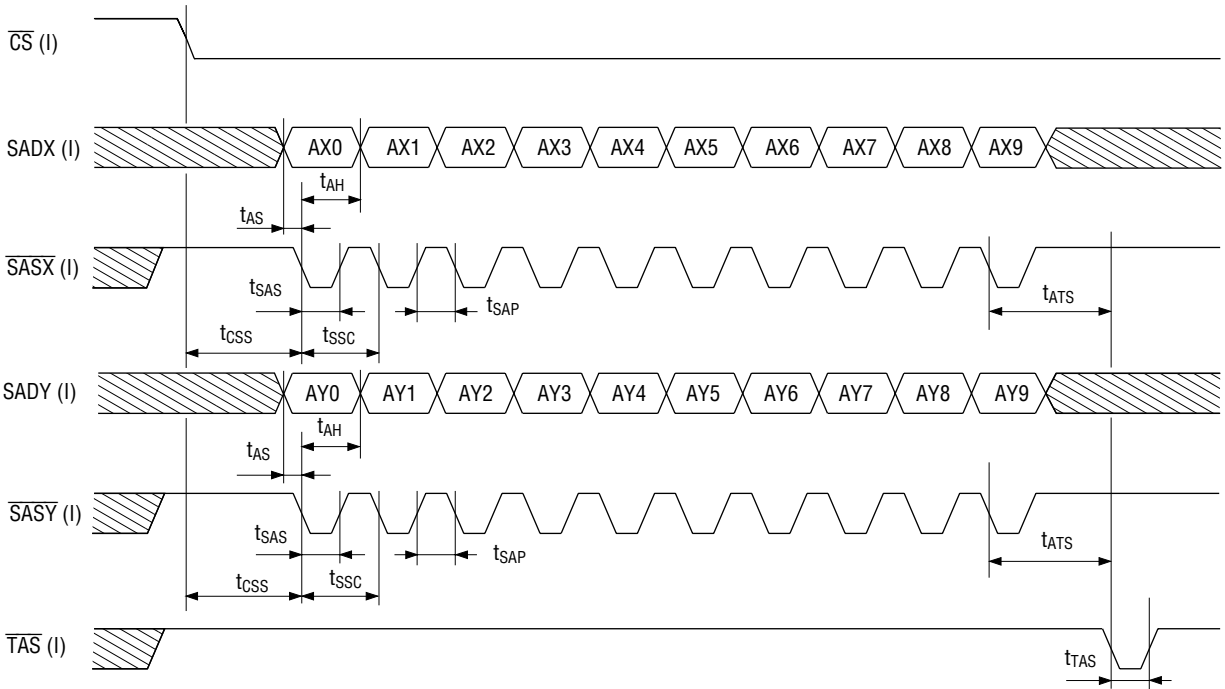
### AC Characteristics

$V_{DD} = 2.7$  to  $5.5$  V,  $T_a = -40$  to  $+85^\circ\text{C}$

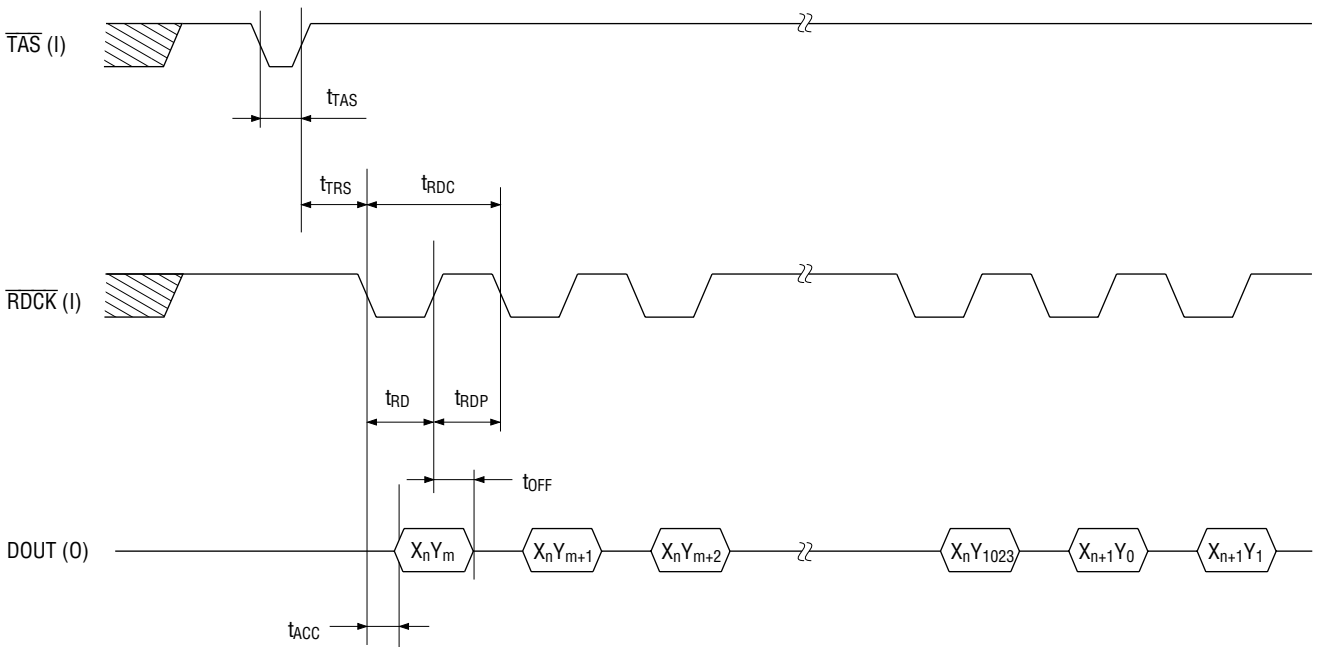
Parameter	Symbol	Min.	Max.	Unit
$\overline{\text{CS}}$ , $\overline{\text{SAS}}$ Setup Time	$t_{CSS}$	1000	—	ns
$\overline{\text{SASX}}$ , $\overline{\text{SASY}}$ Cycle Time	$t_{SSC}$	500	—	ns
$\overline{\text{SASX}}$ , $\overline{\text{SASY}}$ Precharge Time	$t_{SAP}$	250	—	ns
$\overline{\text{SASX}}$ , $\overline{\text{SASY}}$ Pulse Width	$t_{SAS}$	250	—	ns
Address Setup Time	$t_{AS}$	100	—	ns
Address Hold Time	$t_{AH}$	100	—	ns
$\overline{\text{TAS}}$ Setup Time	$t_{ATS}$	500	—	ns
$\overline{\text{TAS}}$ , $\overline{\text{RDCK}}$ Setup Time	$t_{TRS}$	500	—	ns
$\overline{\text{TAS}}$ Pulse Width	$t_{TAS}$	250	—	ns
Read Cycle Time	$t_{RDC}$	2500	—	ns
Access Time	$t_{ACC}$	—	1500	ns
Output Turn-off Delay Time	$t_{OFF}$	0	200	ns
$\overline{\text{RDCK}}$ Precharge Time	$t_{RDP}$	1000	—	ns
$\overline{\text{RDCK}}$ Pulse Width	$t_{RD}$	1500	—	ns

**TIMING DIAGRAMS**

**Serial Address Input Timing**

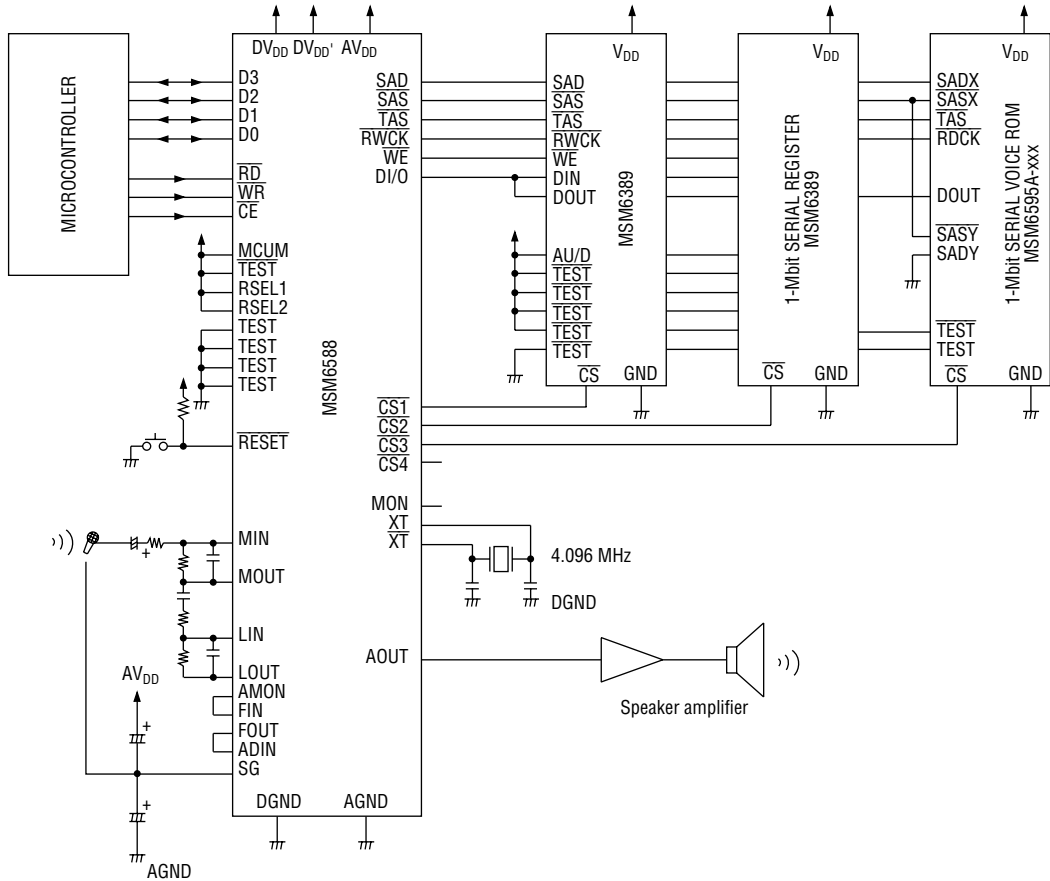


Read Access Timing



## APPLICATION CIRCUIT

### MSM6588 Playback Storage Example



Note: When the MSM6595A is driven by the MSM6388 or MSM6588, a serial register is required. (The MSM6595A does not operate without it.) The MSM6389 is being used as the serial register in the above example.



### PACKAGE DIMENSIONS

(Unit : mm)

QFJ18-P-R290-1.27

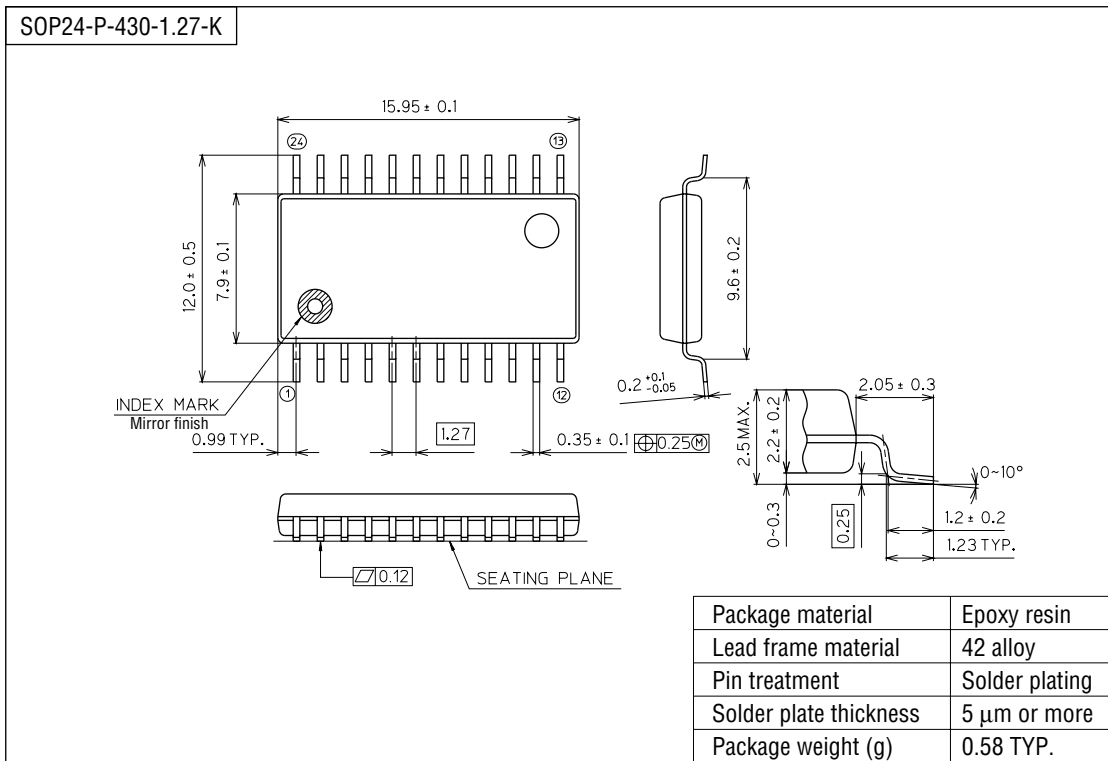
The drawing includes three views: a top view, a side view, and a cross-sectional view. The top view shows a rectangular package with 18 pins (9 on each long side) and an index mark on one corner. Dimensions include overall width  $13.39 \pm 0.13$ , pin pitch  $1.27$ , and pin width  $0.81$  MAX. The side view shows the package height and pin lengths, with dimensions such as  $3.3 \pm 0.2$  (pin length),  $1.9$  TYP. (lead length), and  $0.65$  TYP. (pitch). The cross-sectional view shows the package thickness and pin profile, with dimensions like  $11.56 \pm 0.25$  (width),  $0.41 \pm 0.1$  (pitch), and  $\varnothing 0.18$  (pin diameter). A note indicates the 'INDEX MARK Spherical surface' and the 'SEATING PLANE'.

Package material	Epoxy resin
Lead frame material	42 alloy
Pin treatment	Solder plating
Solder plate thickness	5 $\mu$ m or more
Package weight (g)	0.50 TYP.

#### Notes for Mounting the Surface Mount Type Package

The SOP, QFP, TSOP, TQFP, LQFP, SOJ, QFJ (PLCC), SHP, and BGA are surface mount type packages, which are very susceptible to heat in reflow mounting and humidity absorbed in storage. Therefore, before you perform reflow mounting, contact Oki's responsible sales person on the product name, package name, pin number, package code and desired mounting conditions (reflow method, temperature and times).

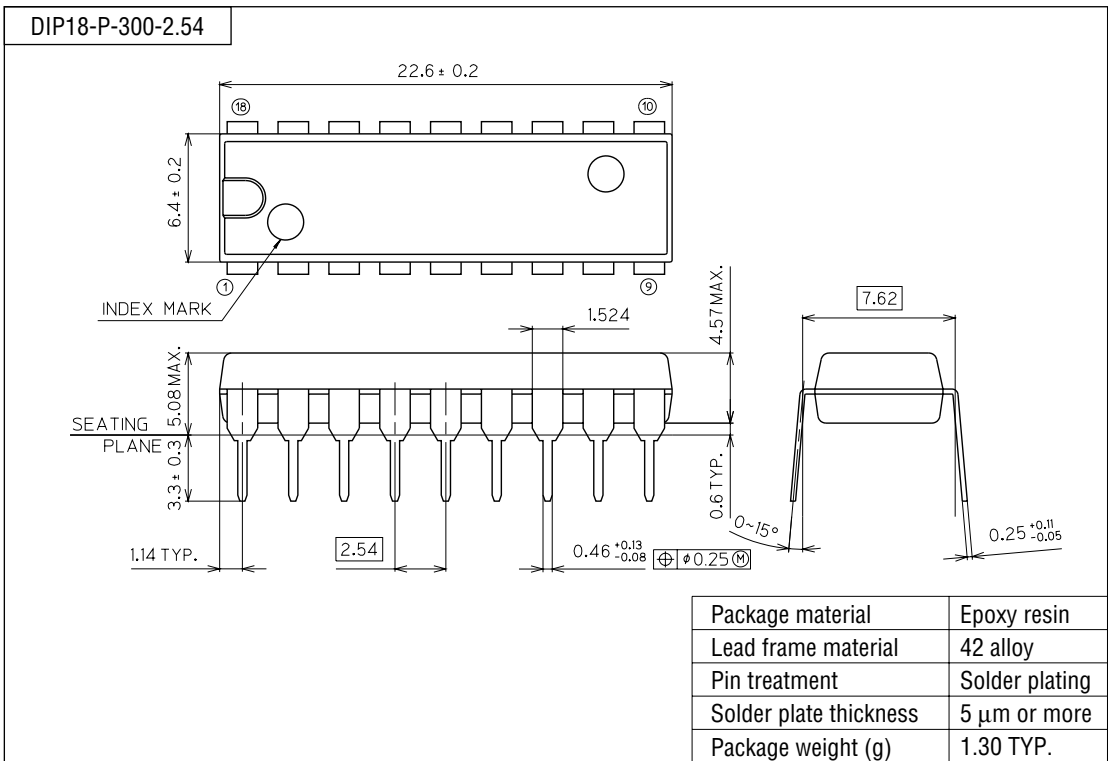
(Unit : mm)



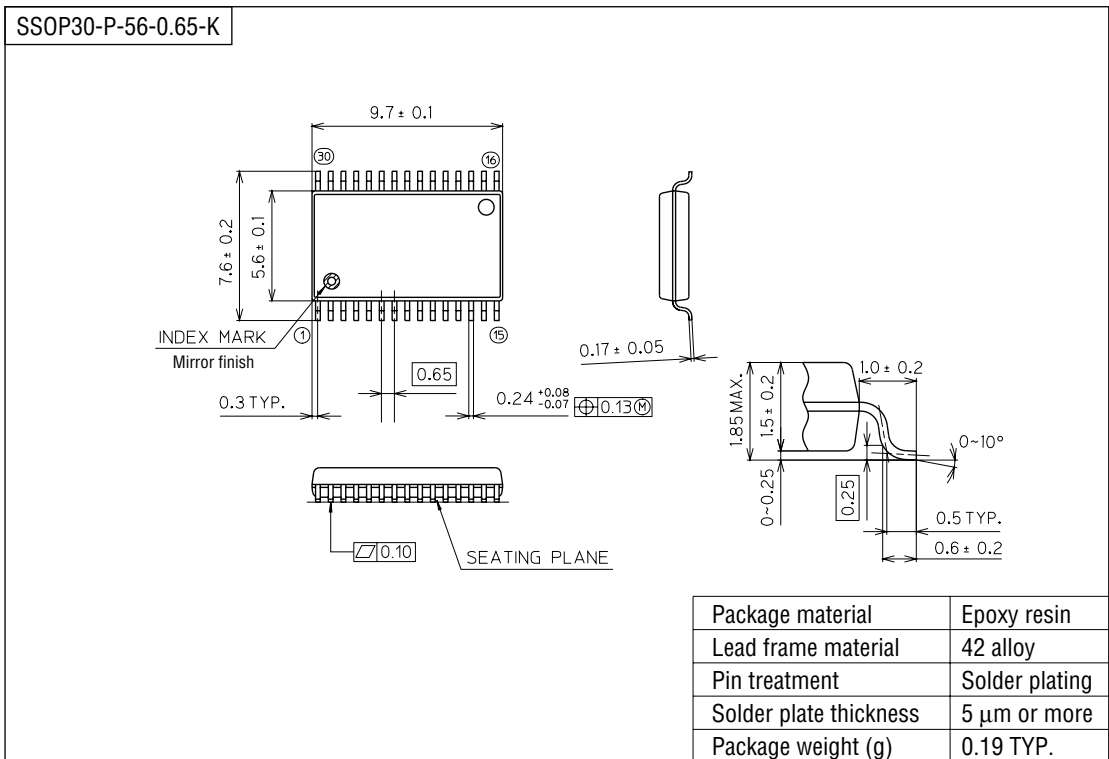
Notes for Mounting the Surface Mount Type Package

The SOP, QFP, TSOP, TQFP, LQFP, SOJ, QFJ (PLCC), SHP, and BGA are surface mount type packages, which are very susceptible to heat in reflow mounting and humidity absorbed in storage. Therefore, before you perform reflow mounting, contact Oki's responsible sales person on the product name, package name, pin number, package code and desired mounting conditions (reflow method, temperature and times).

(Unit : mm)



(Unit : mm)



Notes for Mounting the Surface Mount Type Package

The SOP, QFP, TSOP, TQFP, LQFP, SOJ, QFJ (PLCC), SHP, and BGA are surface mount type packages, which are very susceptible to heat in reflow mounting and humidity absorbed in storage. Therefore, before you perform reflow mounting, contact Oki's responsible sales person on the product name, package name, pin number, package code and desired mounting conditions (reflow method, temperature and times).

## NOTICE

1. The information contained herein can change without notice owing to product and/or technical improvements. Before using the product, please make sure that the information being referred to is up-to-date.
2. The outline of action and examples for application circuits described herein have been chosen as an explanation for the standard action and performance of the product. When planning to use the product, please ensure that the external conditions are reflected in the actual circuit, assembly, and program designs.
3. When designing your product, please use our product below the specified maximum ratings and within the specified operating ranges including, but not limited to, operating voltage, power dissipation, and operating temperature.
4. Oki assumes no responsibility or liability whatsoever for any failure or unusual or unexpected operation resulting from misuse, neglect, improper installation, repair, alteration or accident, improper handling, or unusual physical or electrical stress including, but not limited to, exposure to parameters beyond the specified maximum ratings or operation outside the specified operating range.
5. Neither indemnity against nor license of a third party's industrial and intellectual property right, etc. is granted by us in connection with the use of the product and/or the information and drawings contained herein. No responsibility is assumed by us for any infringement of a third party's right which may result from the use thereof.
6. The products listed in this document are intended for use in general electronics equipment for commercial applications (e.g., office automation, communication equipment, measurement equipment, consumer electronics, etc.). These products are not authorized for use in any system or application that requires special or enhanced quality and reliability characteristics nor in any system or application where the failure of such system or application may result in the loss or damage of property, or death or injury to humans. Such applications include, but are not limited to, traffic and automotive equipment, safety devices, aerospace equipment, nuclear power control, medical equipment, and life-support systems.
7. Certain products in this document may need government approval before they can be exported to particular countries. The purchaser assumes the responsibility of determining the legality of export of these products and will take appropriate and necessary steps at their own expense for these.
8. No part of the contents contained herein may be reprinted or reproduced without our prior permission.
9. MS-DOS is a registered trademark of Microsoft Corporation.

Copyright 1999 Oki Electric Industry Co., Ltd.