

DUAL OPERATIONAL AMPLIFIER

GENERAL DESCRIPTION

The NJM14558 is dual operational amplifier, which can operate from $\pm 2V$ supply. The features are low offset voltage, low bias current and low current consumption.

The package lineup is DIP, DMP and others compact, which is SON (Small Package on Leadless), so that the NJM14558 is suitable for portable audio and any kind of signal amplifier.

PACKAGE OUTLINE



NJM14558D



NJM14558M



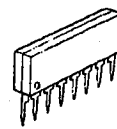
NJM14558E



NJM14558V



NJM14558R



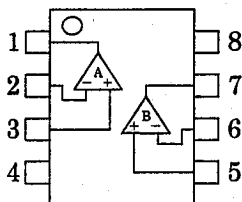
NJM14558L

DIP8, DMP8, EMP8, SSOP8,
VSP8, SIP8, SON8 (PRELIMINARY)

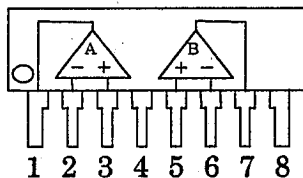
FEATURES

- Operating Voltage $(\pm 2.0V \sim \pm 7.0V)$
- Input Offset Voltage $(3mV \text{ max.})$
- Slew Rate $(2.5V/\mu s \text{ typ.})$
- Bipolar Technology
- Package Outline

PIN CONFIGURATION



NJM14558/14558M/14558E
NJM14558V/14558R
NJM14558x (PRELIMINARY)

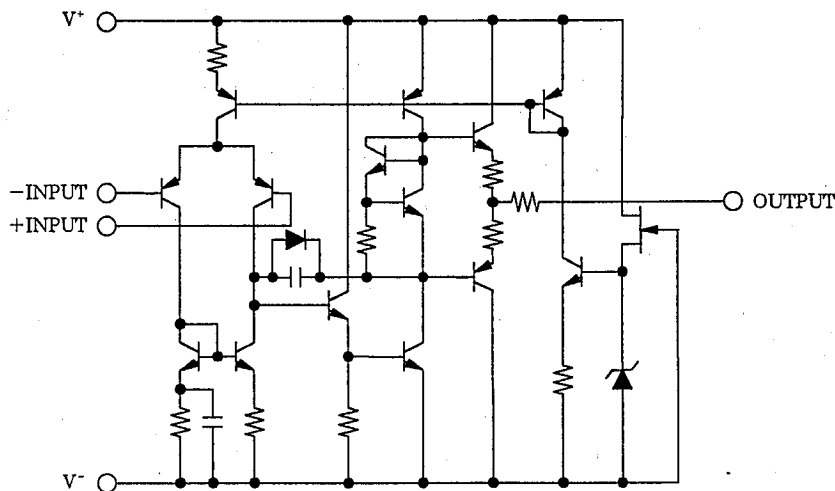


NJM14558L

PIN FUNCTION

1. A OUTPUT
2. A - INPUT
3. A + INPUT
4. V^-
5. B + INPUT
6. B - INPUT
7. B OUTPUT
8. V^+

EQUIVALENT CIRCUIT (1/2 Shown)



■ ABSOLUTE MAXIMUM RATINGS (Ta=25°C)

PARAMETER	SYMBOL	RATINGS	UNIT
Supply Voltage	V ⁺ /V ⁻	±7.5	V
Differential Input Voltage	V _{ID}	±14	V
Input Voltage	V _{IC}	±7 (note)	V
Power Dissipation	P _D	(DIP8) 500 (DMP8) 300 (EMP8) 300 (SSOP8) 250 (VSP8) 320 (SIP8) 800 (SON8) U.D	mW
Operating Temperature Range	T _{opr}	-40~+85	°C
Storage Temperature Range	T _{stg}	-40~+125	°C

(note) For supply voltage less

■ ELECTRICAL CHARACTERISTICS (V⁺/V⁻=±5V, Ta=25°C)

PARAMETER	SYMBOL	TEST CONDITION	MIN.	TYP.	MAX.	UNIT
Operating Voltage	V _{opr}		±2	—	±7	V
Input Offset Voltage	V _{IO}	R _S ≤ 10kΩ	—	0.5	3	mV
Input Offset Current	I _{IO}		—	5	50	nA
Input Bias Current	I _B		—	70	250	nA
Input Resistance	R _{IN}		0.3	5	—	MΩ
Large Signal Voltage Gain	A _V	R _L ≥ 2kΩ, V _O = ±3V	86	100	—	dB
Maximum Output Voltage Swing (+)	V _{OM} ⁺	R _L ≥ 2kΩ	3.5	4.0	—	V
Maximum Output Voltage Swing (-)	V _{OM} ⁻	R _L ≥ 2kΩ	—	-3.5	-3.0	V
Input Common Mode Voltage Range	V _{ICM}		±3.0	±4.0	—	V
Common Mode Rejection Ratio	CMR	R _S ≤ 10kΩ	70	90	—	dB
Supply Voltage Rejection Ratio	SVR	R _S ≤ 10kΩ	76.5	90	—	dB
Operating Current	I _{CC}		—	2.7	4.5	mA
Slew Rate	SR		—	2.5	—	V/μs
Equivalent Input Noise Voltage	V _{NI}	RIAA, R _S = 2.2kΩ, 30kHz:LPF	—	1.4	—	μVrms
Gain Bandwidth Product	GB		—	5	—	MHz

MEMO

[CAUTION]

The specifications on this databook are only given for information, without any guarantee as regards either mistakes or omissions. The application circuits in this databook are described only to show representative usages of the product and not intended for the guarantee or permission of any right including the industrial rights.