



Complete 5 μ s CMOS 10-Bit A/D Converter

MAX173

General Description

The MAX173 is a complete, 10-bit linear analog-to-digital converter (ADC) that combines high speed, low power consumption, and an on-chip voltage reference. The conversion time is 5 μ s. The buried zener reference provides low drift and low noise performance.

External component requirements are limited to only decoupling capacitors for the power supply and reference voltages. On-chip clock circuitry is also included which can either be driven from an external source, or in stand-alone applications, from a crystal.

The MAX173 uses a standard microprocessor interface architecture. Three-state data outputs are controlled by Read (RD) and Chip Select (CS) inputs. Data access and bus release times of 90ns and 75ns respectively ensure compatibility with most popular microprocessors without resorting to wait states.

Applications

- Digital Signal Processing (DSP)
- High Accuracy Process Control
- High Speed Data Acquisition
- Electro-Mechanical Systems

Features

- ◆ 12-Bit Resolution and 10-Bit Linearity
- ◆ 5 μ s Conversion Time
- ◆ On-Chip ± 40 ppm/ $^{\circ}$ C Voltage Reference
- ◆ 90ns Access Time
- ◆ 215mW (Max) Power Consumption
- ◆ 24-Lead Narrow DIP and Wide SO Packages

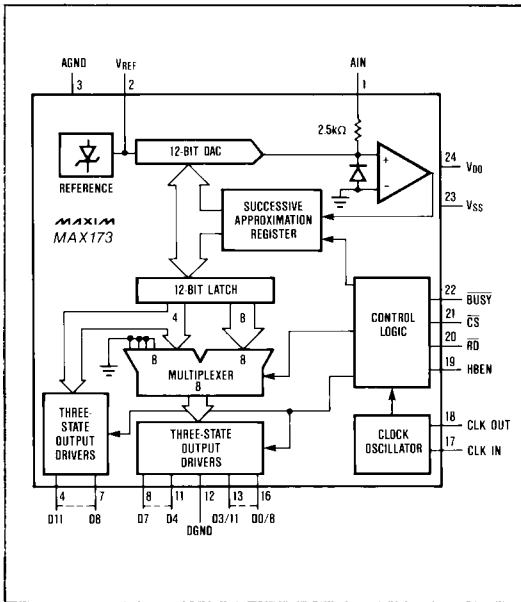
Ordering Information

PART	TEMP. RANGE	PACKAGE*
MAX173CNG	0 $^{\circ}$ C to +70 $^{\circ}$ C	Plastic DIP
MAX173CWG	0 $^{\circ}$ C to +70 $^{\circ}$ C	Wide SO
MAX173C/D	0 $^{\circ}$ C to +70 $^{\circ}$ C	Dice**
MAX173ENG	-40 $^{\circ}$ C to +85 $^{\circ}$ C	Plastic DIP
MAX173EWG	-40 $^{\circ}$ C to +85 $^{\circ}$ C	Wide SO
MAX173MRG	-55 $^{\circ}$ C to +125 $^{\circ}$ C	CERDIP

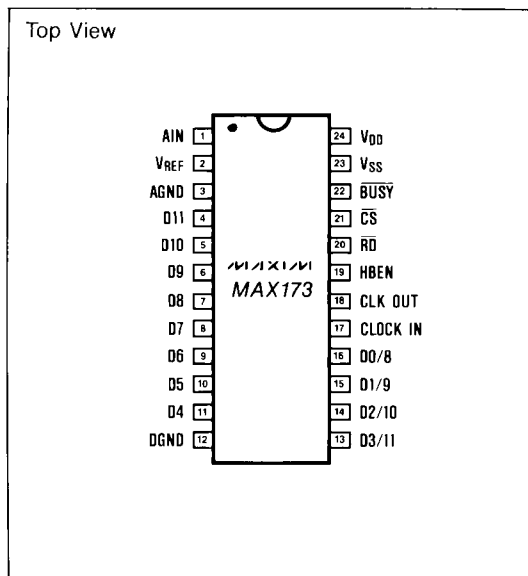
* All devices — 24 lead packages

** Consult factory for dice specifications.

Functional Diagram



Pin Configurations



MAXIM is a registered trademark of Maxim Integrated Products.

Maxim Integrated Products 1

Complete 5 μ s CMOS 10-Bit A/D Converter

ABSOLUTE MAXIMUM RATINGS

V _{DD} to DGND	-0.3V to +7V
V _{SS} to DGND	+0.3V to -17V
AGND to DGND	-0.3V, V _{DD} + 0.3V
AIN to AGND	-15V to +15V
Digital Input Voltage to DGND (Pins 17, 19-21)	-0.3V, V _{DD} + 0.3V
Digital Output Voltage to DGND (Pins 4-11, 13-16, 18, 22)	-0.3V, V _{DD} + 0.3V

Operating Temperature Ranges	
MAX173XC	0°C to +70°C
MAX173XE	-40°C to +85°C
MAX173XM	-55°C to +125°C
Storage Temperature Range	
	-65°C to +160°C
Power Dissipation (any Package)	1000mW
Derates Above +75°C by	
	10mW/°C
Lead Temperature (Soldering 10 seconds)	+300°C

Stresses above those listed under "Absolute Maximum Ratings" may cause permanent damage to the device. These are stress ratings only, and functional operation of the device at these or any other conditions above those indicated in the operational sections of the specifications is not implied. Exposure to absolute maximum rating conditions for extended periods may affect device reliability.

ELECTRICAL CHARACTERISTICS

(V_{DD} = +5V \pm 5%, V_{SS} = -12V or -15V \pm 5%; Slow Memory Mode; T_A = T_{MIN} to T_{MAX} unless otherwise noted, f_{CLK} = 2.5MHz.)

PARAMETER	SYMBOL	CONDITIONS	MIN	TYP	MAX	UNITS
ACCURACY						
Resolution			12			Bits
No Missing Code Resolution			10			Bits
Integral Non-Linearity	INL				± 0.05	%FSR
Offset Error (Note 1)					± 5	mV
Full Scale Error (Note 2)					± 0.4	%
Full Scale Tempco (Notes 3, 4)					± 45	ppm/°C
ANALOG INPUT						
Input Voltage Range			0		5	V
Input Current		AIN = 0V to +5V			3.5	mA
INTERNAL REFERENCE						
V _{REF} Output Voltage		T _A = 25°C	-5.2	-5.25	-5.3	V
V _{REF} Output Tempco (Note 5)				± 40		ppm/°C
Output Current Sink Capability		(Note 6)			5	mA
LOGIC INPUTS						
Input Low Voltage	V _{IL}	CS, RD, HBEN, CLKIN			0.8	V
Input High Voltage	V _{IH}	CS, RD, HBEN, CLKIN	2.4			V
Input Capacitance (Note 7)	C _{IN}	CS, RD, HBEN, CLKIN			10	pF
Input Current	I _{IN}	CS, RD, HBEN CLKIN			± 10 ± 20	μ A
LOGIC OUTPUTS						
Output Low Voltage	V _{OL}	D11-D0/8, BUSY, CLKOUT I _{SINK} = 1.6 mA			0.4	V
Output High Voltage	V _{OH}	D11-D0/8, BUSY, CLKOUT I _{SOURCE} = 200 μ A	4			V
Floating State Leakage Current	I _{LKG}	D11-D0/8, V _{OUT} = 0V to V _{DD}			± 10	μ A
Floating State Output Capacitance (Note 7)	C _{OUT}				15	pF
CONVERSION TIME						
MAX173	t _{CONV}	Synchronous (12.5 clock cycles) Asynchronous (12 to 13 clock cycles)	4.8		5 5.2	μ s

Complete 5 μ s CMOS 10-Bit A/D Converter

MAX173

ELECTRICAL CHARACTERISTICS (continued)

(V_{DD} = +5V \pm 5%, V_{SS} = -12V or -15V \pm 5%; Slow Memory Mode; T_A = T_{MIN} to T_{MAX} unless otherwise noted, f_{CLK} = 2.5MHz.)

PARAMETER	SYMBOL	CONDITIONS	MIN	TYP	MAX	UNITS
POWER SUPPLY REJECTION						
V _{DD} Only		FS Change, V _{SS} = -15V, V _{DD} = 4.75V to 5.25V		\pm 0.01		%
V _{SS} Only		FS Change, V _{DD} = 5V, V _{SS} = -5% to +5%		\pm 0.01		%
POWER REQUIREMENTS						
V _{DD}		\pm 5% for Specified Performance		5		V
V _{SS} (Note 8)		\pm 5% for Specified Performance		-12 or -15		V
I _{DD}		$\overline{CS} = \overline{RD} = V_{DD}$, AIN = 5V		5	7	mA
I _{SS}		$\overline{CS} = \overline{RD} = V_{DD}$, AIN = 5V		8	12	mA
Power Dissipation		V _{DD} = +5V, V _{SS} = -15V		145	215	mW

Note 1: Typical change over temp is \pm 1.2mV.

Note 2: V_{DD} = +5V, V_{SS} = -15V, FS = +5.000V. Ideal last code transition = FS - 1.8mV.

Note 3: Full Scale TC = Δ FS/ Δ T, where Δ FS is full scale change from T_A = 25°C to T_{MIN} or T_{MAX}.

Note 4: Includes internal reference drift.

Note 5: V_{REF} TC = Δ V_{REF}/ Δ T, where Δ V_{REF} is reference voltage change from T_A = 25°C to T_{MIN} or T_{MAX}.

Note 6: Output current should not change during conversion.

Note 7: Guaranteed by design, not subject to test.

Note 8: Functional operation at V_{SS} = -12V \pm 5% is guaranteed by testing offset error and full scale error.

TIMING CHARACTERISTICS (Note 9) (See MAX162 data sheet for t₁-t₁₀ description)

(V_{DD} = +5V, V_{SS} = -12V or -15V; T_A = T_{MIN} to T_{MAX}, specifications in bold type are 100% tested, others are guaranteed by design, unless otherwise noted.)

PARAMETER	SYMBOL	CONDITIONS	T _A = 25°C			MAX173C/E		MAX173M		UNITS
			MIN	TYP	MAX	MIN	MAX	MIN	MAX	
\overline{CS} to \overline{RD} Setup Time	t ₁		0			0		0		ns
\overline{RD} to \overline{BUSY} Delay (Note 12)	t ₂	C _L = 50pF		90	190		230		270	ns
Data Access Time (Note 10)	t ₃	C _L = 20pF		60	90		110		120	ns
Data Access Time (Notes 10, 12)	t ₃	C _L = 100pF		70	125		150		170	ns
\overline{RD} Pulse Width	t ₄			t ₃			t ₃		t ₃	
\overline{CS} to \overline{RD} Hold Time	t ₅		0			0		0		ns
Data Setup Time After \overline{BUSY} (Notes 10, 12)	t ₆				80		105		120	ns
Bus Relinquish Time (Notes 11, 12)	t ₇				75		85		90	ns
HBEN to \overline{RD} Setup Time	t ₈		0			0		0		ns
HBEN to \overline{RD} Hold Time	t ₉		0			0		0		ns
Delay Between Read Operations	t ₁₀		200			200		200		ns

Note 9: All input control signals are specified with t_r = t_f = 5ns (10% to 90% of +5V) and timed from a voltage level of +1.6V.

Note 10: t₃ and t₆ are measured with the load circuits of Figure 1 (see MAX162 data sheet) and defined as the time required for an output to cross 0.8V or 2.4V.

Note 11: t₇ is defined as the time required for the data lines to change 0.5V when loaded with the circuits of Figure 2 (see MAX162 data sheet).

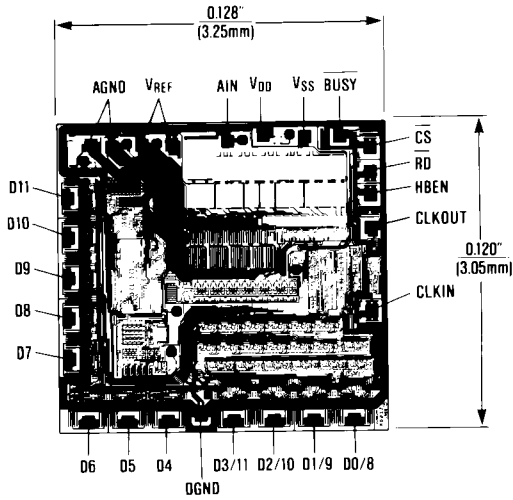
Note 12: This specification is 100% production tested.

For additional information on using the MAX173 please refer to MAX162 data sheet.

MAX173

Complete 5 μ s CMOS 10-Bit A/D Converter

Chip Topography



Maxim cannot assume responsibility for use of any circuitry other than circuitry entirely embodied in a Maxim product. No circuit patent licenses are implied. Maxim reserves the right to change the circuitry and specifications without notice at any time.