
MR27V3255D

1,048,576-Double Word x 32-Bit or 2,097,152-Word x 16-Bit

8-Double Word x 32-Bit or 16-Word x 16-Bit Page Mode One Time PROM

DESCRIPTION

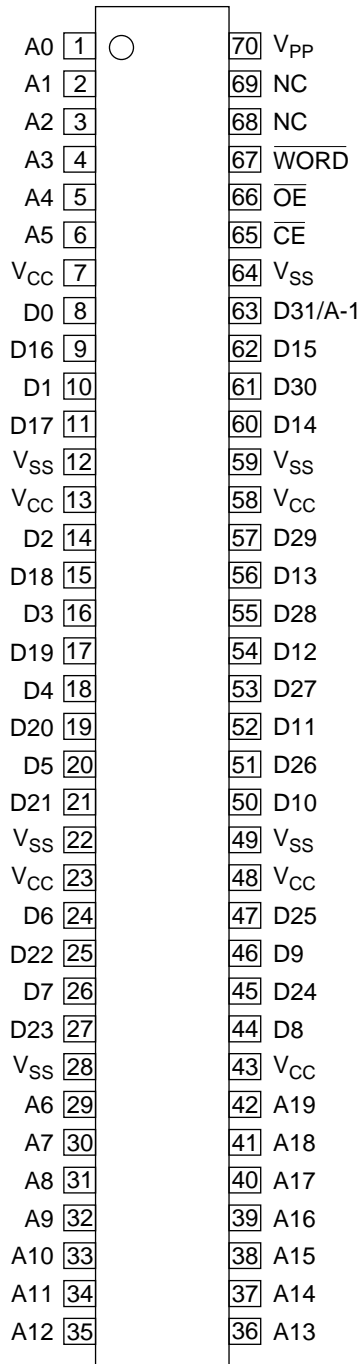
The MR27V3255D is a 32Mbit electrically Programmable Read-Only Memory with page mode. Its configuration can be electrically switched between 1,048,576 double word x 32bit and 2,097,152 word x 16bit. The MR27V3255D operates on a single +3.3V power supply and is TTL compatible. The MR27V3255D provides Page mode which can greatly reduce the read access time. Since the MR27V3255D operates asynchronously, external clocks are not required, making this device easy-to-use. The MR27V3255D is suitable as large-capacity fixed memory for microcomputers and data terminals. It is manufactured using a CMOS double silicon gate technology and is offered in 70-pin SSOP or 70-pin TSOP packages.

FEATURES

- 1,048,576 double word x 32bit / 2,097,152 word x 16bit electrically switchable configuration
- Single +3.3V power supply
- Access time 80ns
 - Page mode access time 25ns
- Input / Output TTL compatible
- Three-state output
- Packages

70-pin plastic SSOP (SSOP70-P-500-0.80-K) (Product name : MR27V3255DMB)
70-pin plastic TSOP (TSOP II 70-P-400-0.65-K) (Product name : MR27V3255DTA)

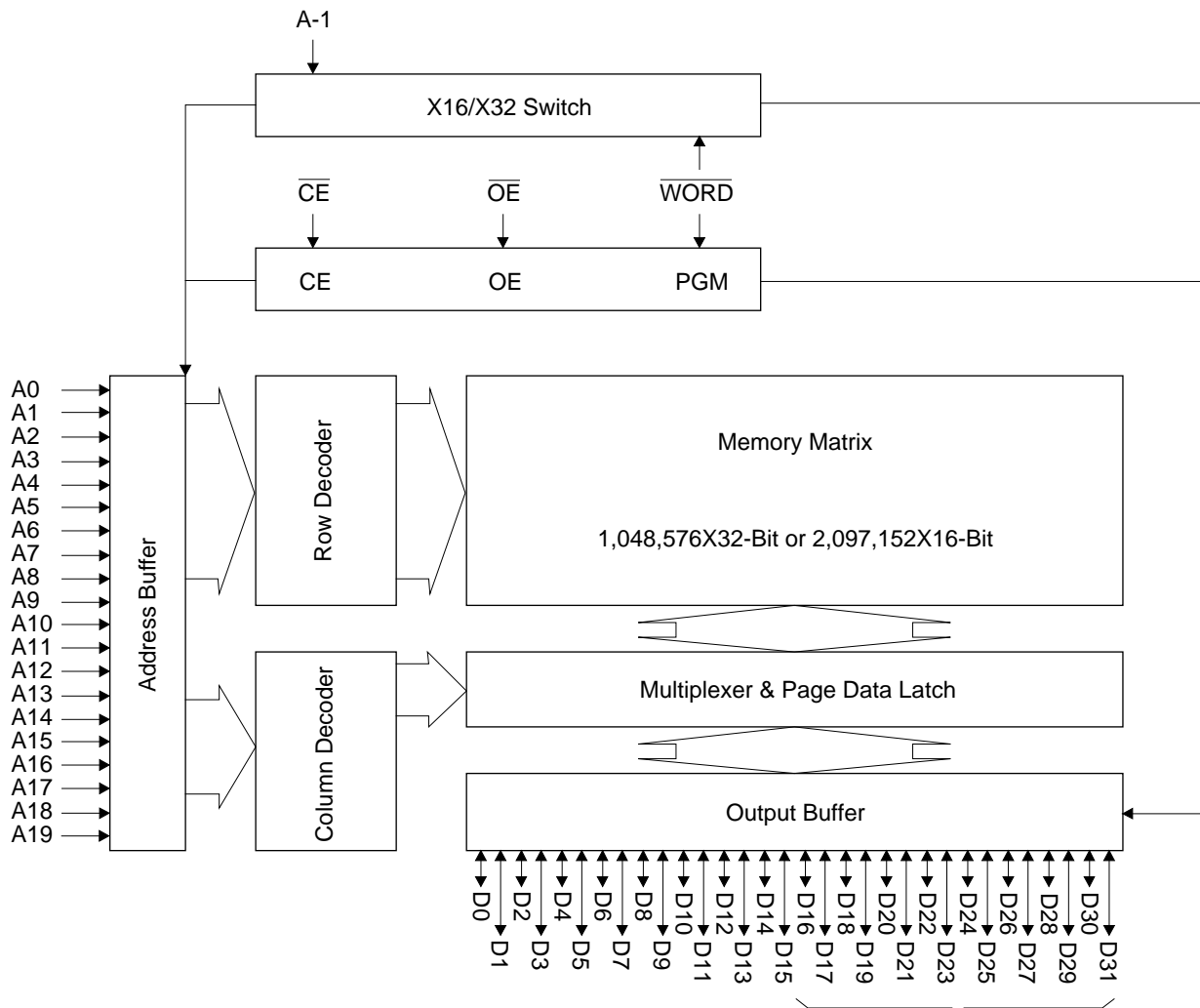
PIN CONFIGURATION (TOP VIEW)



PIN NAMES	FUNCTIONS
D31/A-1	Data output / Address input
A0 - A19	Address input
D0 - D30	Data output
CE	Chip enable
OE	Output enable
V _{CC}	Power supply voltage
V _{SS}	GND
WORD	Mode switch
V _{PP}	Program power supply voltage
NC	Non connection

70-pin SSOP , TSOP (II)

BLOCK DIAGRAM



In 16-bit output mode, these pins are three-stated and pin D31 functions as the A-1 address pin.

FUNCTION TABLE

MODE	CE	OE	WORD	V _{PP}	V _{CC}	D0 - D15	D16 - D30	D31/A-1
READ (32-Bit)	L	L	H	*	3.3V	D _{OUT}		
READ (16-Bit)	L	L	L			D _{OUT}	Hi-Z	L/H
OUTPUT DISABLE	L	H	H			Hi-Z		*
			L			Hi-Z		*
STAND-BY	H	*	H	Hi-Z		*		
			L	Hi-Z		*		
PROGRAM	L	H	L	9.75V	4.0V	D _{IN}	Hi-Z	L/H
PROGRAM INHIBIT	H	H				Hi-Z		
PROGRAM VERIFY	H	L				D _{OUT}	Hi-Z	L/H

* : Don't Care (H or L or Open)

ABSOLUTE MAXIMUM RATINGS

Parameter	Symbol	Condition	Value	Unit
Operating temperature under bias	T_{opr}	-	0 to 70	°C
Storage temperature	T_{stg}		-55 to 125	°C
Input voltage	V_I	relative to V_{SS}	-0.5 to $V_{CC} + 0.5$	V
Output voltage	V_O		-0.5 to $V_{CC} + 0.5$	V
Power supply voltage	V_{CC}		-0.5 to 5	V
Program power supply voltage	V_{PP}		-0.5 to 11.5	V
Power dissipation per package	P_D	-	1.0	W

RECOMMENDED OPERATING CONDITIONS FOR READ

(Ta=0 to 70°C)

Parameter	Symbol	Condition	Min.	Typ.	Max.	Unit
V_{CC} power supply voltage	V_{CC}	$V_{CC}=3.0V-3.6V$	3.0	-	3.6	V
V_{PP} power supply voltage	V_{PP}		-0.5	-	$V_{CC}+0.5$	V
Input "H" level	V_{IH}		2.2	-	$V_{CC}+0.5^*$	V
Input "L" level	V_{IL}		-0.5**	-	0.6	V

Voltage is relative to V_{SS} * : $V_{CC}+1.5V$ (Max.) when pulse width of overshoot is less than 10nS.

** : -1.5V (Min.) when pulse width of undershoot is less than 10nS.

ELECTRICAL CHARACTERISTICS (Read operation)**DC Characteristics** $(V_{CC}=3.3V\pm 0.3V, T_a=0 \text{ to } 70^\circ\text{C})$

Parameter	Symbol	Condition	Min.	Typ.	Max.	Unit
Input leakage current	I_{LI}	$V_I=0 \text{ to } V_{CC}$	-	-	10	μA
Output leakage current	I_{LO}	$V_O=0 \text{ to } V_{CC}$	-	-	10	μA
V_{CC} power supply current (Standby)	I_{CS1}	$\overline{CE}=V_{CC}$	-	-	50	μA
	I_{CS2}	$\overline{CE}=V_{IH}$	-	-	1	mA
V_{CC} power supply current (Read)	I_{CCA}	$\overline{CE}=V_{IL}, \overline{OE}=V_{IH}$ $t_c=80\text{ns}$	-	-	100	mA
V_{PP} power supply current	I_{PP}	$V_{PP}=V_{CC}$	-	-	10	μA
Input "H" level	V_{IH}	-	2.2	-	$V_{CC}+0.5^*$	V
Input "L" level	V_{IL}	-	-0.5**	-	0.6	V
Output "H" level	V_{OH}	$I_{OH}=-400\mu\text{A}$	2.4	-	-	V
Output "L" level	V_{OL}	$I_{OL}=2.1\text{mA}$	-	-	0.4	V

Voltage is relative to V_{SS} * : $V_{CC}+1.5\text{V}$ (Max.) when pulse width of overshoot is less than 10nS.

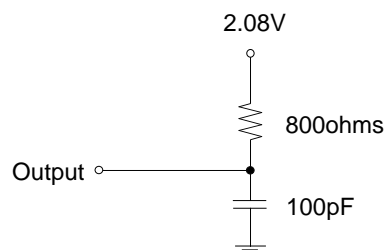
** : -1.5V (Min.) when pulse width of undershoot is less than 10nS.

AC Characteristics $(V_{CC}=3.3V\pm 0.3V, T_a=0 \text{ to } 70^\circ\text{C})$

Parameter	Symbol	Condition	Min.	Max.	Unit
Address access cycle time	T_C	-	80	-	ns
Address access time	T_{ACC}	$\overline{CE}=\overline{OE}=V_{IL}$	-	80	ns
Page access cycle time	T_{PC}	-	25	-	ns
Page access time	T_{PAC}	-	-	25	ns
\overline{CE} access time	T_{CE}	$\overline{OE}=V_{IL}$	-	80	ns
\overline{OE} access time	T_{OE}	$\overline{CE}=V_{IL}$	-	25	ns
Output disable time	T_{CHZ}	$\overline{OE}=V_{IL}$	0	25	ns
	T_{OHZ}	$\overline{CE}=V_{IL}$	0	20	ns
Output hold time	T_{OH}	$\overline{CE}=\overline{OE}=V_{IL}$	0	-	ns

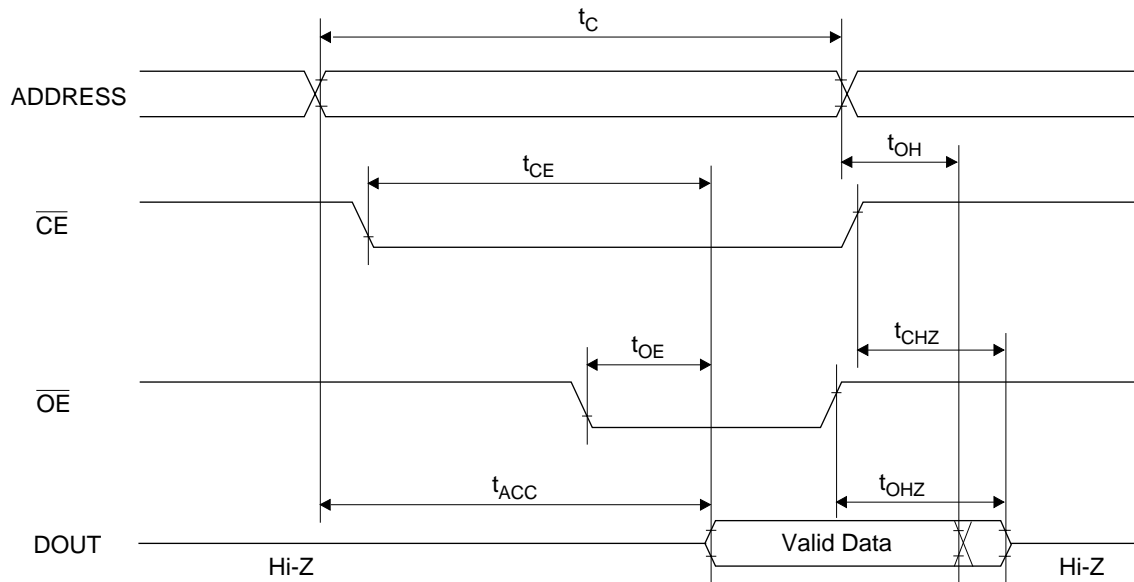
Measurement conditions

Input signal level ----- 0V/3V
 Input timing reference level ----- 0.8V/2.0V
 Output load ----- 100pF
 Output timing reference level ----- 0.8V/2.0V

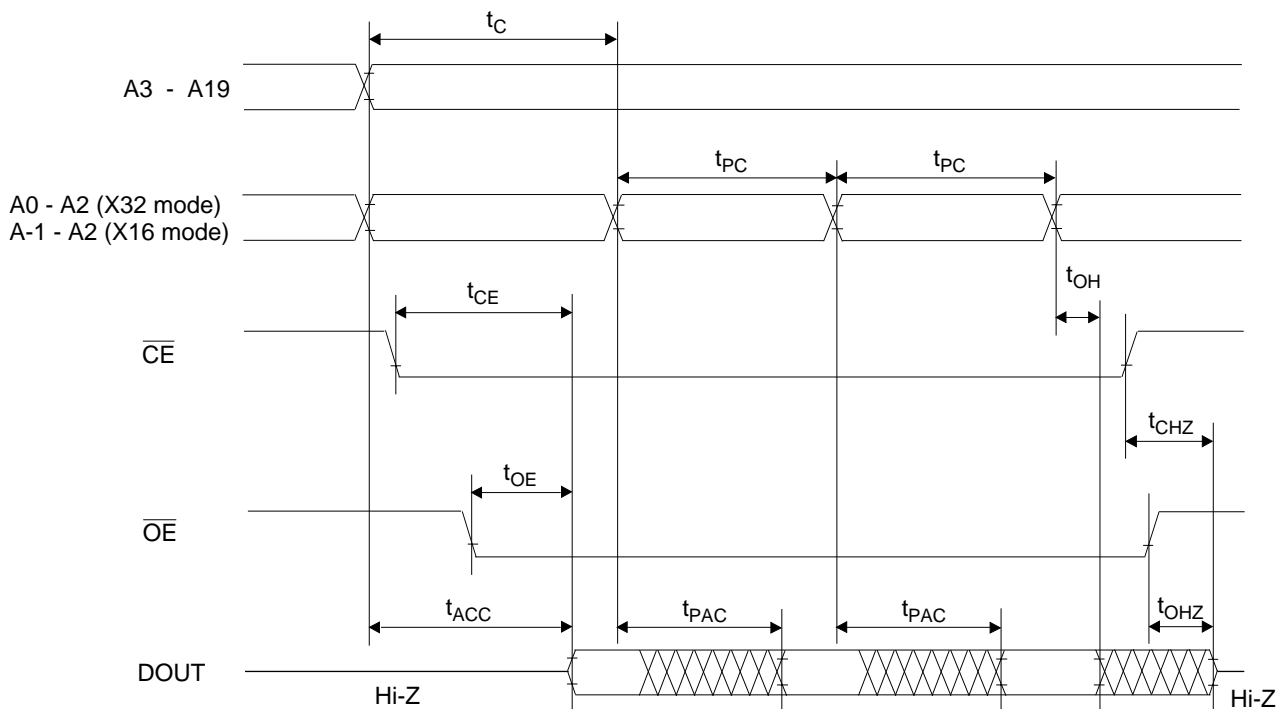


TIMING CHART

NORMAL MODE READ CYCLE



PAGE MODE READ CYCLE



ELECTRICAL CHARACTERISTICS (Programming operation)

DC Characteristics

(Ta=25°C±5°C)

Parameter	Symbol	Condition	Min.	Typ.	Max.	Unit
Input leakage current	I _{LI}	V _I =V _{CC} +0.5V	-	-	10	μA
V _{PP} power supply current (Program)	I _{PP2}	$\overline{CE}=V_{IL}$	-	-	50	mA
V _{CC} power supply current	I _{CC}	-	-	-	80	mA
Input "H" level	V _{IH}	-	3.0	-	V _{CC} +0.5	V
Input "L" level	V _{IL}	-	-0.5	-	0.8	V
Output "H" level	V _{OH}	I _{OH} =-400μA	2.4	-	-	V
Output "L" level	V _{OL}	I _{OL} =2.1mA	-	-	0.45	V
Program voltage	V _{PP}	-	9.5	9.75	10.0	V
V _{CC} power supply voltage	V _{CC}	-	3.9	4.0	4.1	V

Voltage is relative to V_{SS}

AC Characteristics

(V_{CC}=4.0V±0.1V, V_{PP}=9.75V±0.25V, Ta=25°C±5°C)

Parameter	Symbol	Condition	Min.	Typ.	Max.	Unit
Address set-up time	T _{AS}	-	100	-	-	ns
\overline{OE} set-up time	T _{OES}	-	2	-	-	μs
Data set-up time	T _{DS}	-	100	-	-	ns
Address hold time	T _{AH}	-	2	-	-	μs
Data hold time	T _{DH}	-	100	-	-	ns
Output float delay from \overline{OE}	T _{OHZ}	-	0	-	100	ns
V _{PP} voltage set-up time	T _{VS}	-	2	-	-	μs
Program pulse width	T _{PW}	-	9	10	11	μs
Data valid from \overline{OE}	T _{OE}	-	-	-	100	ns
Address hold from \overline{OE} high	T _{AHO}	-	0	-	-	ns

Pin Check Function

Pin Check Function is to check contact between each device-pin and each socket-lead with EPROM programmer.

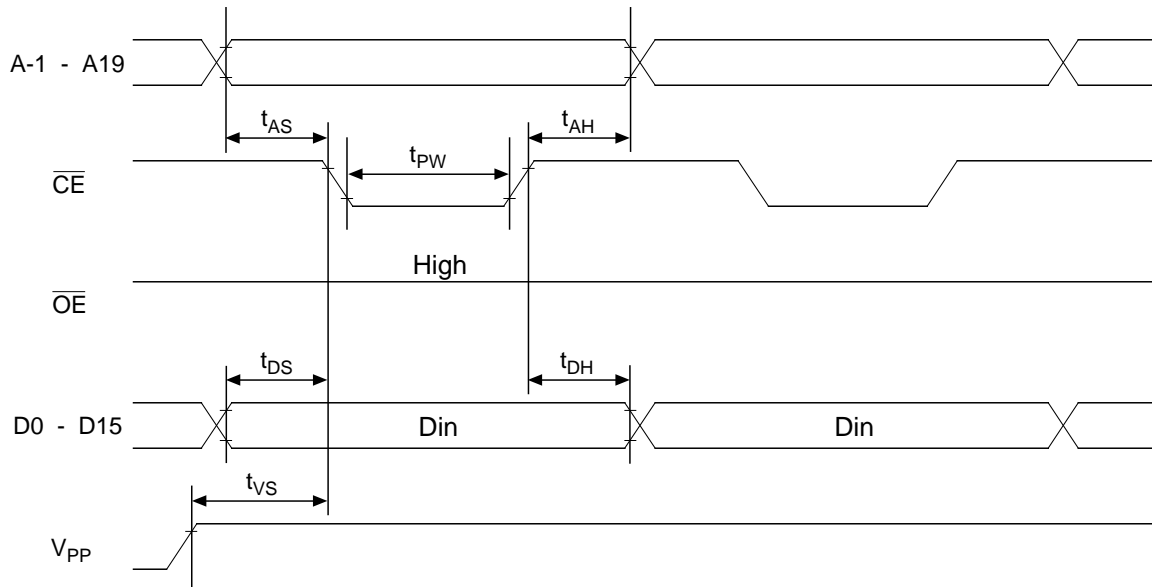
Setting up address as the following condition call the preprogrammed codes on device outputs.

(V_{CC}=3.3V±0.3V, $\overline{CE}=\overline{OE}=V_{IL}$, $\overline{WORD}=V_{IL}$, Ta=25°C±5°C)

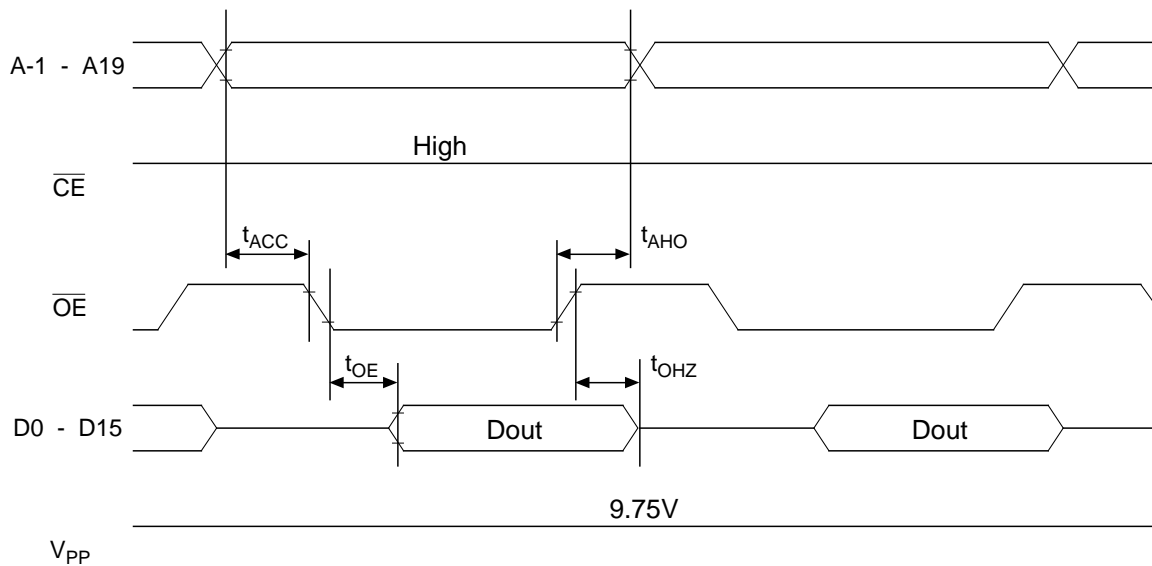
PA0	PA1	PA2	PA3	PA4	PA5	PA6	PA7	PA8	PA9	PA10	PA11	PA12	PA13	PA14	PA15	PA16	PA17	PA18	PA19	PA20	DATA
A-1	A0	A1	A2	A3	A4	A5	A6	A7	A8	A9	A10	A11	A12	A13	A14	A15	A16	A17	A18	A19	
0	1	0	1	0	1	0	1	0	1	VH*	1	0	1	0	1	0	1	0	1	0	AAAA
1	0	1	0	1	0	1	0	1	0	VH*	0	1	0	1	0	1	0	1	0	1	5555
Other conditions																				FFFF	

* :VH=8V±0.25V

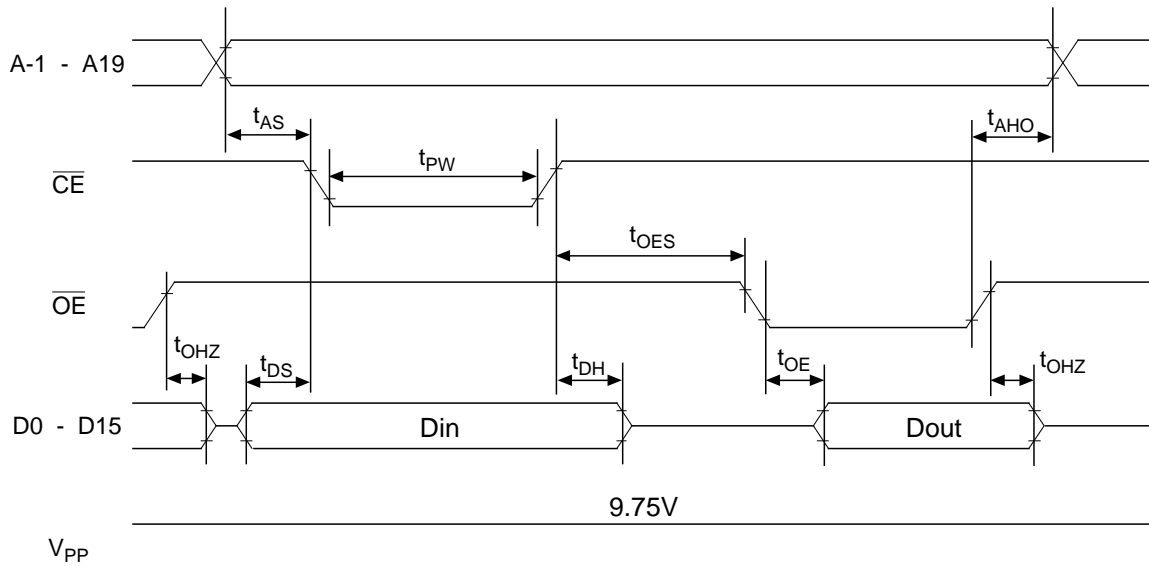
Consecutive Programming Waveforms



Consecutive Program Verify Waveforms



Program and Program Verify Cycle Waveforms



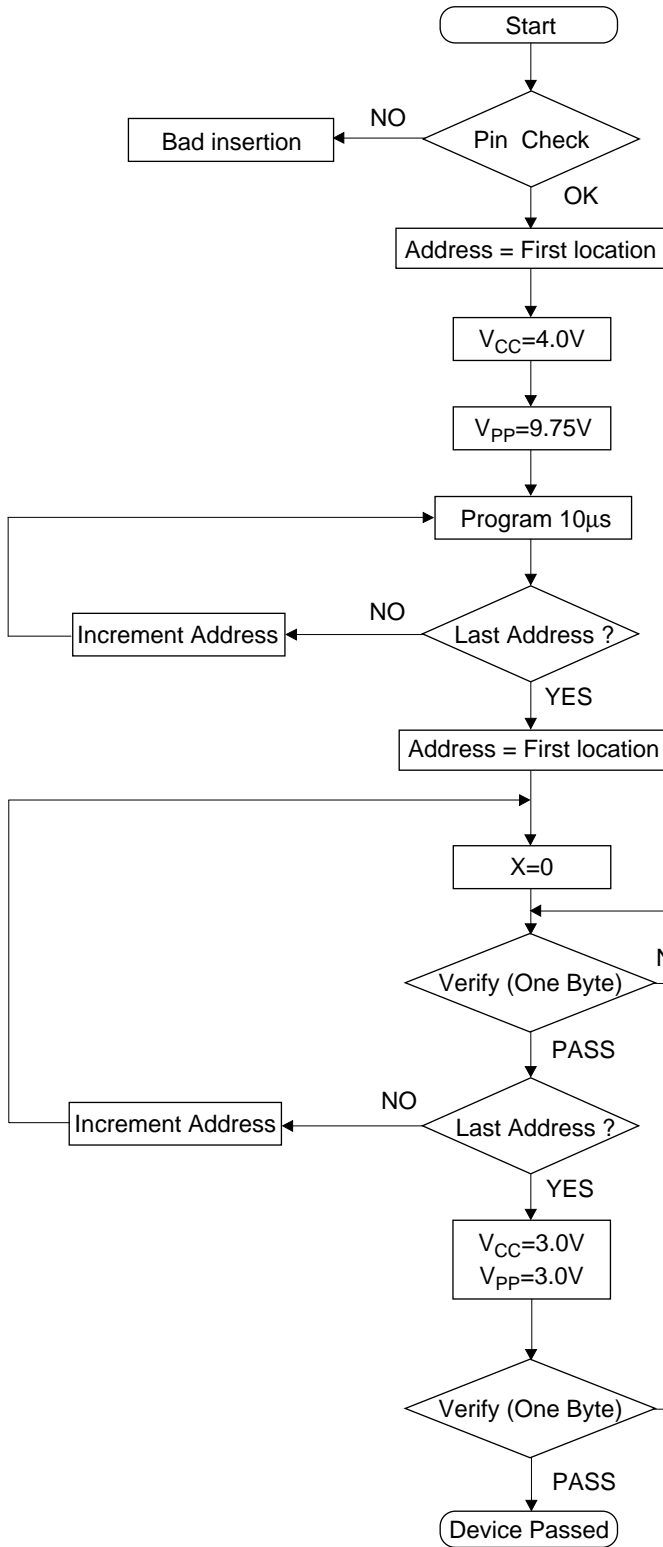
PIN Capacitance

($V_{CC}=3.3V$, $T_a=25^\circ C$, $f=1MHz$)

Parameter	Symbol	Condition	Min.	Typ.	Max.	Unit
Input	C_{IN}	$V_I=0V$	-	-	8	pF
Output	C_{OUT}	$V_O=0V$	-	-	10	

Programming / Verify Flow Chart

Programming



Verify

