

SANYO	No.4582	2SC4863
		NPN Epitaxial Planar Silicon Transistor VHF to UHF Wide-Band Low-Noise Amp Applications

Features

- Low noise : NF = 1.1dB typ (f = 1GHz)
- High gain : | S21e |² = 11dB typ (f = 1GHz)
- High cutoff frequency : f_T = 7.0GHz typ

Absolute Maximum Ratings at Ta = 25°C

			unit
Collector to Base Voltage	V _{CB0}	16	V
Collector to Emitter Voltage	V _{CEO}	8	V
Emitter to Base Voltage	V _{EBO}	2	V
Collector Current	I _C	70	mA
Collector Dissipation	P _C	150	mW
Junction Temperature	T _j	150	°C
Storage Temperature	T _{stg}	-55 to +150	°C

Electrical Characteristics at Ta = 25°C

			min	typ	max	unit
Collector Cutoff Current	I _{CB0}	V _{CB} = 10V, I _E = 0			1.0	μA
Emitter Cutoff Current	I _{EBO}	V _{EB} = 1V, I _C = 0			10	μA
DC Current Gain	h _{FE}	V _{CE} = 5V, I _C = 20mA	60*		270*	
Gain-Bandwidth Product	f _T	V _{CE} = 5V, I _C = 20mA		7.0		GHz
Output Capacitance	C _{ob}	V _{CB} = 10V, f = 1MHz		0.95	1.4	pF
Forward Transfer Gain	S21e ²	V _{CE} = 5V, I _C = 20mA, f = 1GHz	7	11		dB
Noise Figure	NF	V _{CE} = 5V, I _C = 7mA, f = 1GHz		1.1	2.0	dB

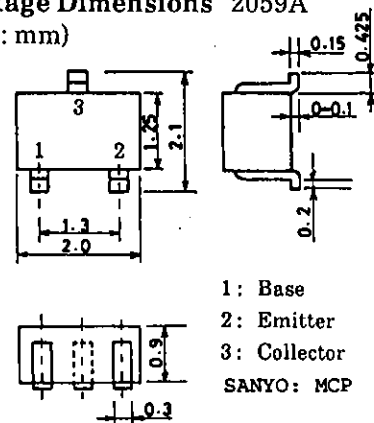
* The 2SC4863 is classified by 20mA h_{FE} as follows :

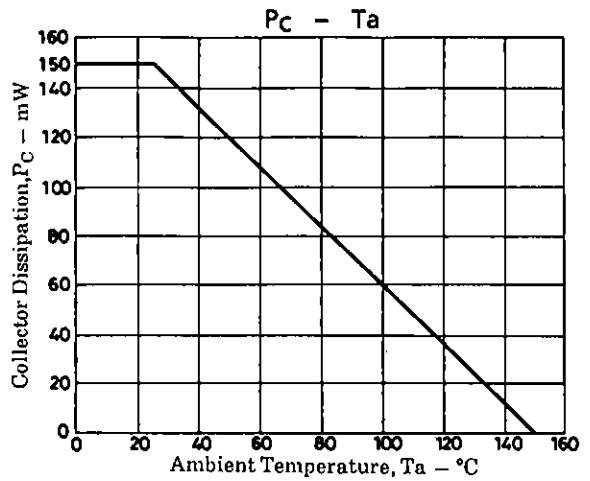
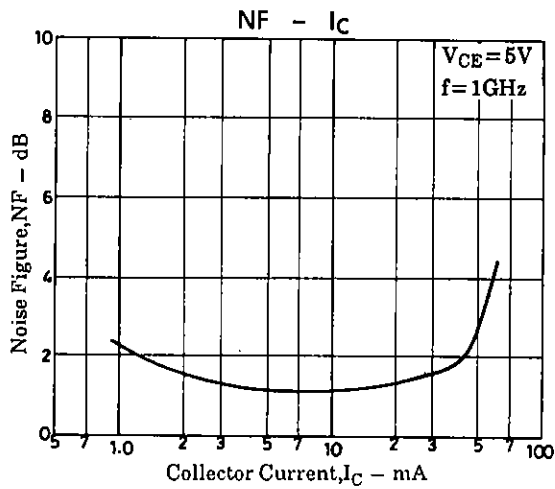
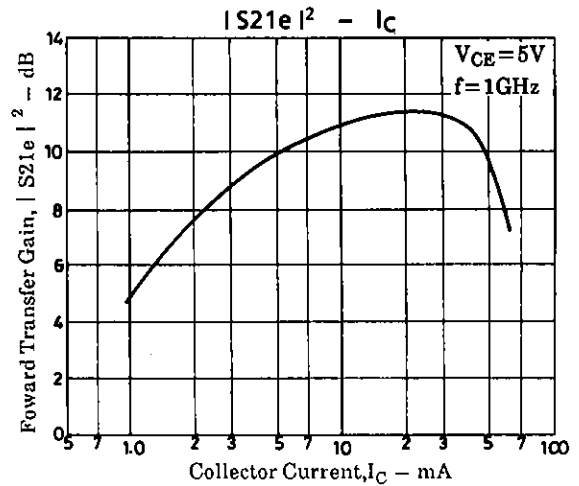
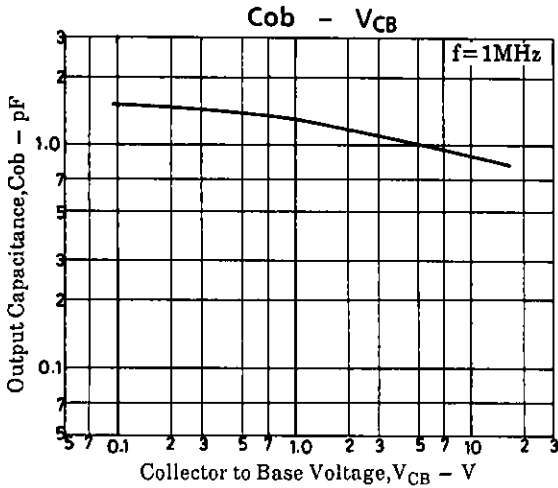
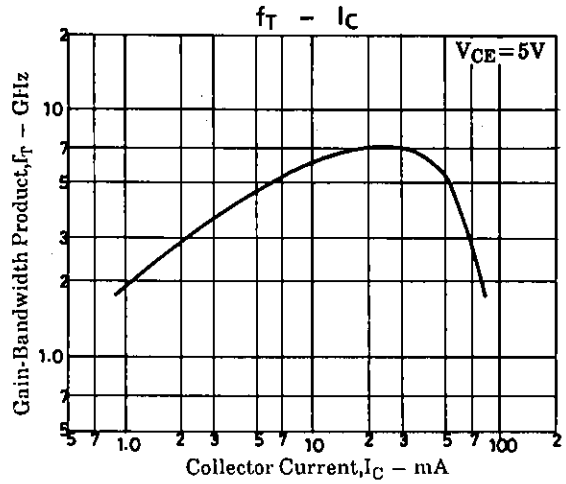
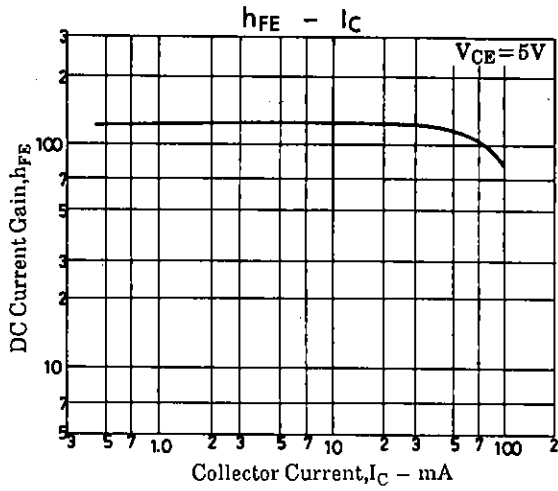
60 3 120	90 4 180	135 5 270
----------	----------	-----------

Marking : FN

h_{FE} rank : 3,4,5

Package Dimensions 2059A
(unit : mm)

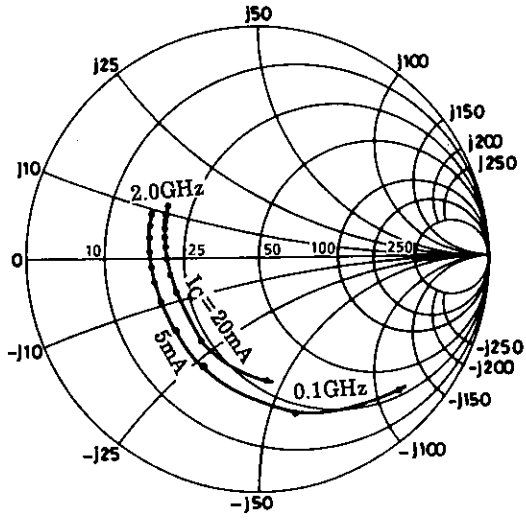




S Parameter

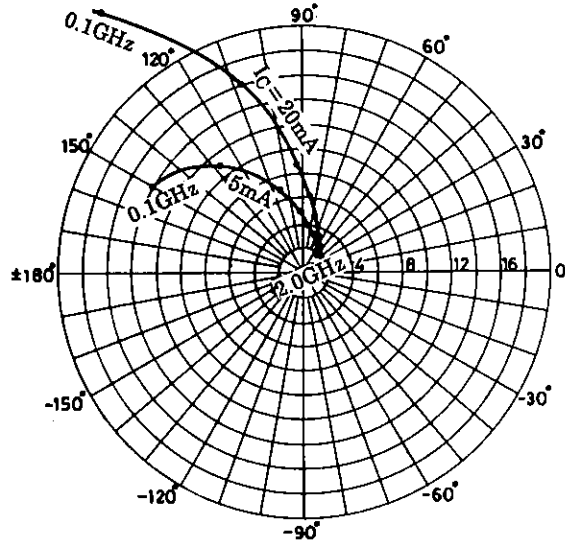
S11e: $V_{CE} = 5V$

$f = 100MHz, 200 \sim 2000MHz$ (200MHz step)



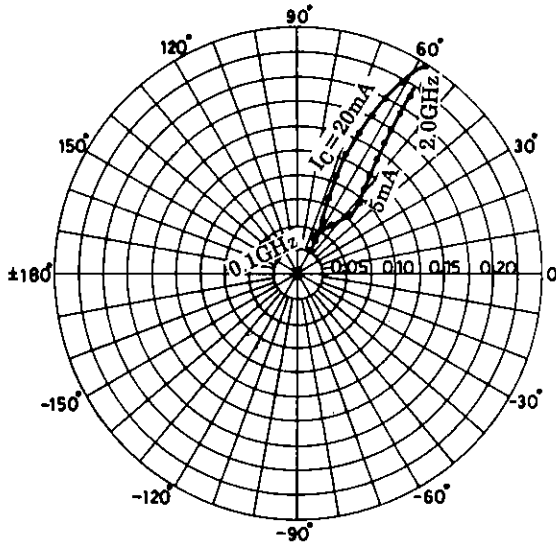
S21e: $V_{CE} = 5V$

$f = 100MHz, 200 \sim 2000MHz$ (200MHz step)



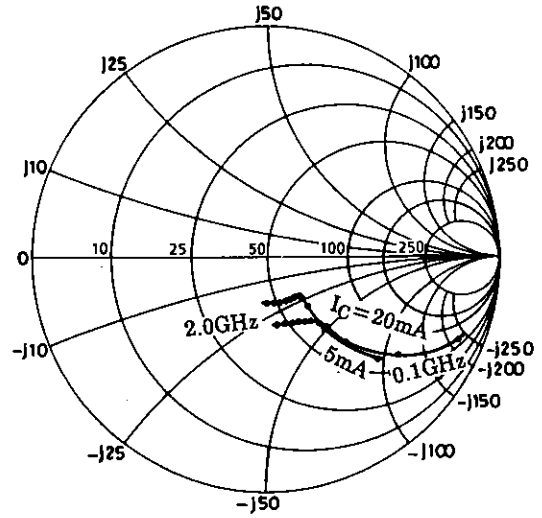
S12e: $V_{CE} = 5V$

$f = 100MHz, 200 \sim 2000MHz$ (200MHz step)



S22e: $V_{CE} = 5V$

$f = 100MHz, 200 \sim 2000MHz$ (200MHz step)



S Parameter (Common emitter)

 $V_{CE}=5V, I_C=5mA, Z_0=50\Omega$

Freq (MHz)	$ S_{11} $	$\angle S_{11}$	$ S_{21} $	$\angle S_{21}$	$ S_{12} $	$\angle S_{12}$	$ S_{22} $	$\angle S_{22}$
100	0.810	-43.8	13.998	149.9	0.039	66.6	0.877	-23.4
200	0.669	-77.9	10.882	128.5	0.060	53.7	0.687	-37.0
400	0.521	-118.3	6.872	106.2	0.081	47.6	0.488	-46.9
600	0.478	-140.5	4.929	93.4	0.095	48.3	0.397	-50.5
800	0.470	-156.3	3.857	84.2	0.109	51.1	0.355	-52.7
1000	0.470	-168.2	3.194	75.7	0.125	53.0	0.331	-56.3
1200	0.473	-177.3	2.712	68.9	0.141	54.7	0.317	-59.9
1400	0.479	174.7	2.378	62.3	0.159	55.7	0.306	-65.3
1600	0.480	169.0	2.122	56.7	0.175	56.8	0.302	-69.9
1800	0.486	164.6	1.918	51.9	0.194	57.1	0.296	-76.0
2000	0.500	158.3	1.773	46.7	0.214	57.3	0.294	-82.0

 $V_{CE}=5V, I_C=20mA, Z_0=50\Omega$

Freq (MHz)	$ S_{11} $	$\angle S_{11}$	$ S_{21} $	$\angle S_{21}$	$ S_{12} $	$\angle S_{12}$	$ S_{22} $	$\angle S_{22}$
100	0.519	-87.6	26.951	127.9	0.026	59.9	0.629	-42.6
200	0.433	-126.9	16.215	108.5	0.038	58.2	0.395	-51.2
400	0.397	-158.1	8.736	93.4	0.059	64.2	0.264	-50.4
600	0.394	-169.7	5.958	85.0	0.082	66.9	0.228	-50.2
800	0.404	-178.8	4.568	78.1	0.106	68.0	0.217	-51.7
1000	0.412	173.9	3.713	71.9	0.131	67.3	0.211	-56.8
1200	0.422	168.6	3.151	66.4	0.156	65.9	0.207	-61.9
1400	0.430	163.3	2.764	60.6	0.179	64.3	0.203	-69.1
1600	0.435	160.0	2.437	56.2	0.200	62.8	0.201	-75.3
1800	0.442	157.3	2.202	51.9	0.222	60.9	0.199	-83.5
2000	0.460	151.9	2.025	47.3	0.245	59.4	0.199	-90.7

■ No products described or contained herein are intended for use in surgical implants, life-support systems, aerospace equipment, nuclear power control systems, vehicles, disaster/crime-prevention equipment and the like, the failure of which may directly or indirectly cause injury, death or property loss.

■ Anyone purchasing any products described or contained herein for an above-mentioned use shall:

- ① Accept full responsibility and indemnify and defend SANYO ELECTRIC CO., LTD., its affiliates, subsidiaries and distributors and all their officers and employees, jointly and severally, against any and all claims and litigation and all damages, cost and expenses associated with such use;
- ② Not impose any responsibility for any fault or negligence which may be cited in any such claim or litigation on SANYO ELECTRIC CO., LTD., its affiliates, subsidiaries and distributors or any of their officers and employees jointly or severally.

■ Information (including circuit diagrams and circuit parameters) herein is for example only; it is not guaranteed for volume production. SANYO believes information herein is accurate and reliable, but no guarantees are made or implied regarding its use or any infringements of intellectual property rights or other rights of third parties.