

Six-Channel Delta-Sigma Analog-to-Digital Converter

Features

- Synchronous Sampling
- On-chip 1.2V Reference (25ppm/°C typ)
- Power Supply Configurations:
 - VA+ = +3 V; VA- = -2 V; VD+ = +3 V
 - Supply tolerances ±10%
- Power Consumption
 - 20 mW Typical at VD+ = +3 V
- Simple Four-wire Serial Interface
- Charge Pump Driver output generates negative power supply.
- Ground-Referenced Bipolar Inputs

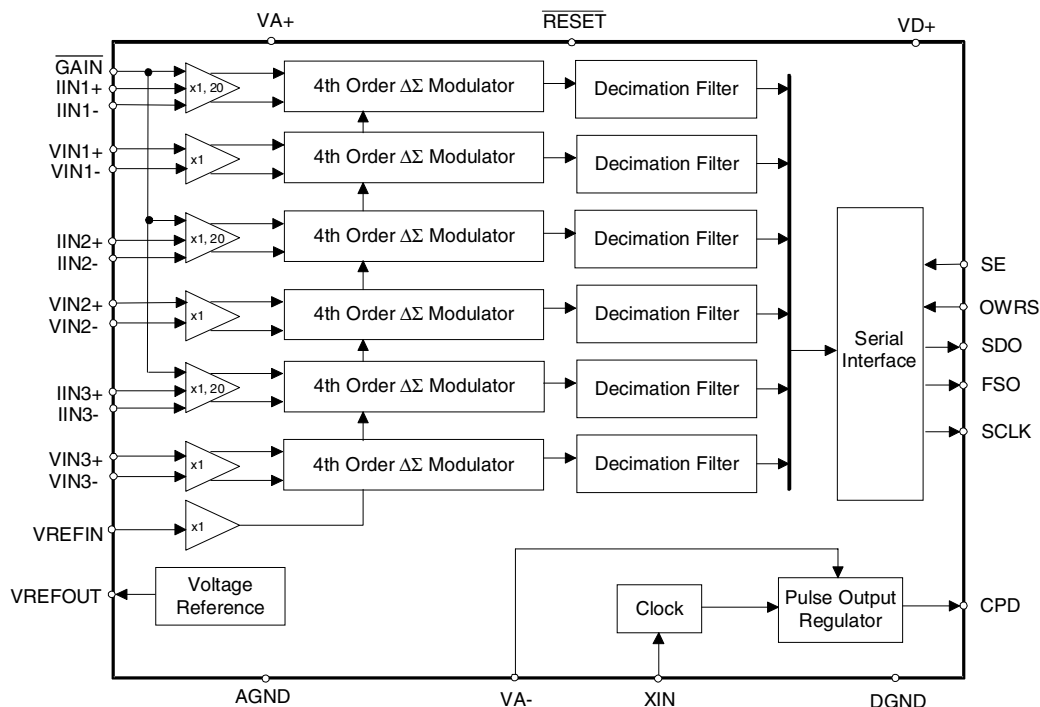
Description

The CS5451A is a highly integrated Delta-Sigma ($\Delta\Sigma$) Analog-to-Digital Converter (ADC) developed for the Power Measurement Industry. The CS5451A combines six $\Delta\Sigma$ ADCs, decimation filters, and a serial interface on a single chip. The CS5451A interfaces directly to a current transformer or shunt to measure current, and resistive divider or transformer to measure voltage. The product features a serial interface for communication with a micro-controller or DSP. The product is initialized and fully functional upon reset, and includes a Voltage Reference.

ORDERING INFORMATION:

CS5451A-IS -40°C to +85°C

28-pin SSOP



Preliminary Product Information

This document contains information for a new product. Cirrus Logic reserves the right to modify this product without notice.

TABLE OF CONTENTS

1. PIN DESCRIPTION	3
2. CHARACTERISTICS AND SPECIFICATIONS	5
3. GENERAL DESCRIPTION	9
3.1 Theory of Operation	9
3.2 Performing Measurements	10
3.3 High Rate Digital Filters	10
3.4 Serial Interface	10
3.5 System Initialization	11
3.6 Analog Inputs	11
3.7 Voltage Reference	11
3.8 Power Supply	12
3.9 PCB Layout	12
4. PACKAGE DIMENSIONS	12
5. REVISIONS	14

LIST OF FIGURES

Figure 1. Serial Port Timing	8
Figure 2. Typical Connection Diagram	9
Figure 3. Serial Port Data Transfer	11
Figure 4. Close-up of One Data Frame	11
Figure 5. Generating VA- with a Charge Pump	13

1. PIN DESCRIPTION

Serial Clock Output	SCLK	□ 1	□ 28	VD+	Digital Supply
Serial Data Output	SDO	□ 2	□ 27	DGND	Digital Ground
Frame Sync	FSO	□ 3	□ 26	CPD	Charge Pump Drive
Serial Port Enable	SE	□ 4	□ 25	XIN	Master Clock
Current Input Gain	GAIN	□ 5	□ 24	RESET	Reset
Analog Ground	AGND	□ 6	□ 23	OWRS	Output Word Rate Select
Reference Input	VREFIN	□ 7	□ 22	VIN1+	Differential Voltage Input 1
Reference Output	VREFOUT	□ 8	□ 21	VIN1-	Differential Voltage Input 1
Positive Analog Supply	VA+	□ 9	□ 20	IIN1+	Differential Current Input 1
Negative Analog Supply	VA-	□ 10	□ 19	IIN1-	Differential Current Input 1
Differential Voltage Input 3	VIN3+	□ 11	□ 18	VIN2+	Differential Voltage Input 2
Differential Voltage Input 3	VIN3-	□ 12	□ 17	VIN2-	Differential Voltage Input 2
Differential Current Input 3	IIN3+	□ 13	□ 16	IIN2+	Differential Current Input 2
Differential Current Input 3	IIN3-	□ 14	□ 15	IIN2-	Differential Current Input 2

Clock Generator

XIN - Master Clock Input

Control Pins and Serial Data I/O

SE - Serial Port Enable

When SE is low, the output pins of the serial port are 3-stated.

SDO - Serial Port Output

Data will be at a rate determined by SCLK.

FSO - Frame Signal Output

Framing signal output for data transfer from SDO pin.

SCLK - Serial Clock Output

A clock signal on this pin determines the output rate of data for SDO pin. Rate of SCLK is determined by XIN frequency and state of OWRS input pin.

RESET - Reset

When reset is taken low, all internal registers are set to their default states.

GAIN - Input Gain Control

Sets input gain for current channels. A logic high sets internal gain to 1, a logic low level sets the gain to 20. If no connection is made to this pin, it will default to logic low level (through internal 200 kΩ resistor to DGND).

OWRS - Output Word Rate Select

When OWRS is set to logic low, the output word rate (OWR) at SDO pin is XIN/2048 (Hz). When set to logic high, the OWR at SDO pin is XIN/1024 (Hz). If no connection is made to this pin, then OWRS will default to logic low level (through internal 200 kΩ resistor to DGND).

Measurement and Reference Input

IIN(1-3)+, IIN(1-3)- - Differential Current Inputs

Differential analog input pins for current channels.

VIN(1-3)+, VIN(1-3)- - Differential Voltage Inputs

Differential analog input pins for voltage channels.

VREFOUT - Voltage Reference Output

The on-chip voltage reference is output from this pin. The voltage reference has a nominal magnitude of 1.2 V and is referenced to the AGND pin on the converter.

VREFIN - Voltage Reference Input

The voltage input to this pin establishes the voltage reference for the on-chip modulator.

Power Supply Connections

VA+ - Positive Analog Supply

The positive analog supply is nominally $+3V \pm 10\%$ relative to AGND.

VA- - Negative Analog Supply

The negative analog supply is nominally $-2V \pm 10\%$ relative to AGND.

AGND - Analog Ground

The analog ground pin for input signals.

VD+ - Positive Digital Supply

The positive digital supply is nominally $+3V \pm 10\%$ relative to DGND.

DGND - Digital Ground

The digital ground is typically at the same level as AGND.

CPD - Charge Pump Drive

This output pin drives the external charge pump circuitry to create a negative supply voltage.

2. CHARACTERISTICS AND SPECIFICATIONS

- Min / Max characteristics and specifications are guaranteed over all Operating Conditions
- Typical characteristics and specifications are measured at nominal supply voltages and $T_A = 25\text{ }^\circ\text{C}$.
- DGND = 0 V. All Voltages with respect to 0V.

ANALOG CHARACTERISTICS

Parameter	Symbol	Min	Typ	Max	Unit	
Accuracy (All Channels)						
Total Harmonic Distortion	THD	74	-	-	dB	
Common Mode Rejection (DC, 50, 60 Hz)	CMRR	80	-	-	dB	
Common Mode + Signal on Input		VA-	-	VA+	V	
Input Sampling Rate		-	XIN/4	-	Hz	
Analog Inputs (Note 1)						
Differential Input Voltage Range [[I_{IN+}] - (I_{IN-})] or [[V_{IN+}] - (V_{IN-})]	Gain=20	VIN	-	80	mV_{P-P}	
	Gain=1	VIN	-	1.6	V_{P-P}	
Bipolar Offset	Gain=20	VOS	-	0.500	mV	
	Gain=1	VOS	-	10	mV	
Crosstalk (Channel-to-Channel) (50, 60 Hz)		-	-	-120	dB	
Input Capacitance	Gain = 20	IC	-	-	pF	
	Gain = 1	IC	-	-	1	pF
Effective Input Impedance (Note 2)	Gain=20	EII	50	-	$k\Omega$	
	Gain=1	EII	-	500	$k\Omega$	
Noise (Referred to Input) 0-60 Hz	Gain=20		-	-	μV_{rms}	
	Gain=1		-	-	20	μV_{rms}
0-1 kHz	Gain=20		-	-	2.5	μV_{rms}
	Gain=1		-	-	50	μV_{rms}
0-2 kHz	Gain=20		-	-	3.75	μV_{rms}
	Gain=1		-	-	75	μV_{rms}
Dynamic Characteristics						
High Rate Filter Output Word Rate	OWRS = "0"	OWR	-	XIN/2048	-	Hz
	OWRS = "1"	OWR	-	XIN/1024	-	Hz

- Notes: 1. All "Gain = 20" specifications apply only to the Current Channels. Voltage Channels are set to Gain=1.
2. Effective Input Impedance (EII) varies with clock frequency (XIN) and Input Capacitance (IC)
 $EII = 1/(IC * XIN/4)$

ANALOG CHARACTERISTICS (continued)

Parameter	Symbol	Min	Typ	Max	Unit	
Reference Output						
Output Voltage	REFOUT	1.15	-	1.25	V	
Temperature Coefficient		-	25	50	ppm/°C	
Load Regulation (Output Current 1 µA Source or Sink)	ΔV_R	-	6	10	mV	
Power Supply Rejection	PSRR	60	-	-	dB	
Reference Input						
Input Voltage Range	VREF+	1.15	1.2	1.25	V	
Input Capacitance		-	-	10	pF	
Input CVF Current		-	-	1	µA	
Power Supplies						
Power Supply Currents	I_{A+}	PSCA	-	-	3	mA
	I_{D+}	PSCD	-	-	4	mA
Power Consumption (Note 3)	PC	-	-	27	mW	
Power Supply Rejection (see Note 4)	(DC)	PSRR	50	-	-	dB
	(50, 60 Hz)	PSRR	60	-	-	dB

- Notes: 3. All outputs unloaded. All inputs CMOS level.
4. Definition for PSRR: VREFIN tied to VREFOUT, VA+ = VD+ = 3V, AGND = DGND = 0V, VA- = -2V (using charge-pump circuit with CPD). In addition, a 106.07 mV rms (60 Hz) sinewave is imposed onto the VA+ and VD+ pins. The “+” and “-” input pins of both input channels are shorted to VA-. 2048 instantaneous digital output data words are collected for the channel under test. The rms value of the digital sinusoidal output signal is calculated, and this rms value is converted into the rms value of the sinusoidal voltage (measured in mV) that would need to be applied at the channel’s inputs, in order to cause the same digital sinusoidal output. This voltage is then defined as V_{eq} . PSRR is then (in dB):

$$PSRR = 20 \cdot \log \left\{ \frac{106.07}{V_{eq}} \right\}$$

DIGITAL CHARACTERISTICS (See Note 5)

Parameter	Symbol	Min	Typ	Max	Unit
High-Level Input Voltage	V_{IH}	0.6 VD+	-	VD+	V
Low-Level Input Voltage	V_{IL}	0.0	-	0.8	V
High-Level Output Voltage $I_{out} = -5.0$ mA	V_{OH}	(VD+) - 1.0	-	-	V
Low-Level Output Voltage $I_{out} = 5.0$ mA	V_{OL}	-	-	0.4	V
Input Leakage Current (Note 6)	I_{in}	-	±1	±10	µA
3-State Leakage Current	I_{OZ}	-	-	±10	µA
Digital Output Pin Capacitance	C_{out}	-	9	-	pF

- Notes: 5. All measurements performed under static conditions.
6. For OWRS and \overline{GAIN} pins, input leakage current is 30 µA (Max).

RECOMMENDED OPERATING CONDITIONS

Parameter		Symbol	Min	Typ	Max	Unit
DC Power Supplies	Positive Digital	VD+	2.7	3.0	3.5	V
	Positive Analog	VA+	2.7	3.0	3.5	V
	Negative Analog	VA-	-2.2	-2.0	-1.8	V
Voltage Reference Input		VREF+	-	1.2	-	V

ABSOLUTE MAXIMUM RATINGS

Parameter		Symbol	Min	Typ	Max	Unit
DC Power Supplies	Positive Digital	VD+	-0.3	-	+3.5	V
	Positive Analog	VA+	-0.3	-	+3.5	V
	Negative Analog	VA-	-2.5		-0.3	V
Input Current, Any Pin Except Supplies	(Note 7 and 8)	I _{IN}	-	-	±10	mA
Output Current		I _{OUT}	-	-	±25	mA
Power Dissipation	(Note 9)	PDN	-	-	500	mW
Analog Input Voltage	All Analog Pins	V _{INA}	(VA-) - 0.3	-	(VA+) + 0.3	V
Digital Input Voltage	All Digital Pins	V _{IND}	-0.3	-	(VD+) + 0.3	V
Ambient Operating Temperature		T _A	-40	-	85	°C
Storage Temperature		T _{stg}	-65	-	150	°C

- Notes:
7. Applies to all pins including continuous over-voltage conditions at the analog input (AIN) pins.
 8. Transient current of up to 100 mA will not cause SCR latch-up. Maximum input current for a power supply pin is ±50 mA.
 9. Total power dissipation, including all input currents and output currents.

WARNING: Operation at or beyond these limits may result in permanent damage to the device. Normal operation is not guaranteed at these extremes.

SWITCHING CHARACTERISTICS

Parameter	Symbol	Min	Typ	Max	Unit
Master Clock Frequency (Note 10)	XIN	3	4.000	5	MHz
Master Clock Duty Cycle	-	40	-	60	%
Rise Times Any Digital Input (Note 11) Any Digital Output	t_{rise}	-	- 50	1.0 -	μ s ns
Fall Times Any Digital Input (Note 11) Any Digital Output	t_{fall}	-	- 50	1.0 -	μ s ns
Serial Port Timing					
Serial Clock Frequency (Note 10)	SCLK	-	500	-	kHz
	SCLK	-	1000	-	kHz
Serial Clock Pulse Width High (Note 10)	t_1	-	0.5	-	SCLK
Pulse Width Low (Note 10)	t_2	-	0.5	-	SCLK
SCLK falling to New Data Bit	t_3	-	-	50	ns
FSO Falling to SCLK Rising Delay (Note 10)	t_4	-	0.5	-	SCLK
FSO Pulse Width (Note 10)	t_5	-	1	-	SCLK
SE Rising to Output Enabled	t_6	-	-	50	ns
SE Falling to Output in Tri-state	t_7	-	-	50	ns

Notes: 10. Device parameters are specified with a 4.000MHz clock, OWRS = 1.

11. Specified using 10% and 90% points on wave-form of interest. Output loaded with 50pF.

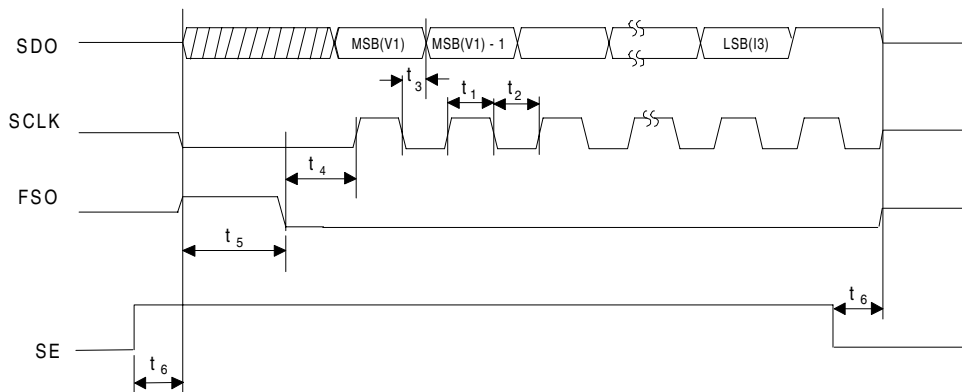


Figure 1. Serial Port Timing

3. GENERAL DESCRIPTION

The CS5451A is designed for 3-phase power meter applications and interfaces to a current transformers or shunt to measure current, and a resistive divider or transformer to measure voltage.

The CS5451A combines six $\Delta\Sigma$ modulators and decimation filters, three channels assigned for current input that have programmable input gain amplifiers, and three channels assigned for voltage input.

The CS5451A includes six decimation filters that output data at a 2000 Hz or 4000 Hz output word

rate (OWR) when the input frequency at XIN = 4.096 MHz.

The device outputs data on a serial output port.

3.1 Theory of Operation

The CS5451A is designed to operate from a single +3V supply and provides a $80\text{mV}_{\text{P-P}}$ and $1.6\text{V}_{\text{P-P}}$ input range for the current channels and $1.6\text{V}_{\text{P-P}}$ range for the voltage channels. These voltages represent the maximum zero-to-peak voltage levels that can be presented to the inputs. The CS5451A is designed to accommodate common mode + signal levels from VA- to VA+. Figure 2 illustrates the

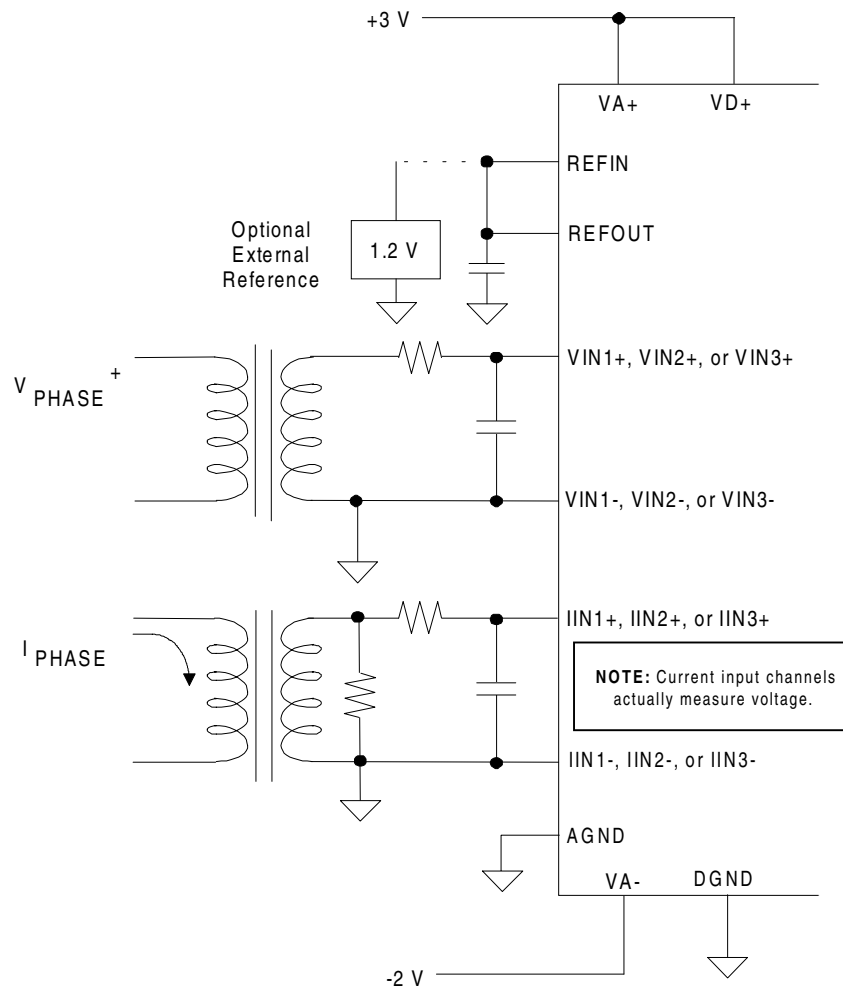


Figure 2. Typical Connection Diagram

CS5451A typical inputs and power supply connections.

3.2 Performing Measurements

The converter outputs are transferred in 16-bit signed (two's complement) data formats as a percentage of full scale. Table 1 below illustrates the ideal relationship between the differential voltage presented to any one of the input channels and the corresponding output code. Note that for the current channels, the state of the $\overline{\text{GAIN}}$ input pin is assumed to be driven low such that the PGA gain on the current channels is 1x. If the PGA gain of the current channels is set to 20x, a +40 mV differential voltage is presented across any pair of "IINk+" and "IINk-" pins (k = 1, 2, 3) would cause a (nominal) output code of 32767.

Differential Input Voltage (mV)	Output Code (hexadecimal)	Output Code (decimal)
+800	7FFF	32767
0.0122 to 0.0366	0001	1
-0.0122 to 0.0122	0000	0
-0.0122 to -0.0366	FFFF	-1
-800	8000	-32768

Table 1. Nominal Relationship for Differential Input Voltage vs. Output Code, for all channels. (Assume PGA gain is set to 1x.)

3.3 High Rate Digital Filters

If the OWRS pin is set to logic low, the high-rate filters are implemented as fixed sinc³ filters with the following transfer function:

$$H(z) = \left(\frac{1 - z^{-256}}{1 - z^{-1}} \right)^3$$

This filter samples the modulator bit stream at XIN/8 Hz and decimates to XIN/2048 Hz.

If the OWRS pin is set to logic high, then the transfer function is

$$H(z) = \left(\frac{1 - z^{-128}}{1 - z^{-1}} \right)^3$$

The above filter samples the modulator bit stream at XIN/8 Hz and decimates to XIN/1024 Hz.

3.4 Serial Interface

The CS5451A communicates with a target device via a master serial data output port. Output data is provided on the SDO output synchronous with the SCLK output. A third output, FSO, is a framing signal used to signal the start of output data. These three outputs will be driven as long as the SE (serial enable) input is held high. Otherwise, these outputs will be high impedance.

Data out (SDO) changes as a result of SCLK falling, and always outputs valid data with SCLK rising. When data is being transferred, the SCLK frequency is either 1/8 of the XIN input frequency (when OWRS is held low) or 1/4 of the XIN input frequency (when OWRS is held high). Any other time, SCLK is held low. (See Figures 3 and 4.)

The framing signal (FSO) output is normally low, but produces a high level pulse lasting one SCLK period when the instantaneous voltage/current data samples are about to be transmitted out of the serial

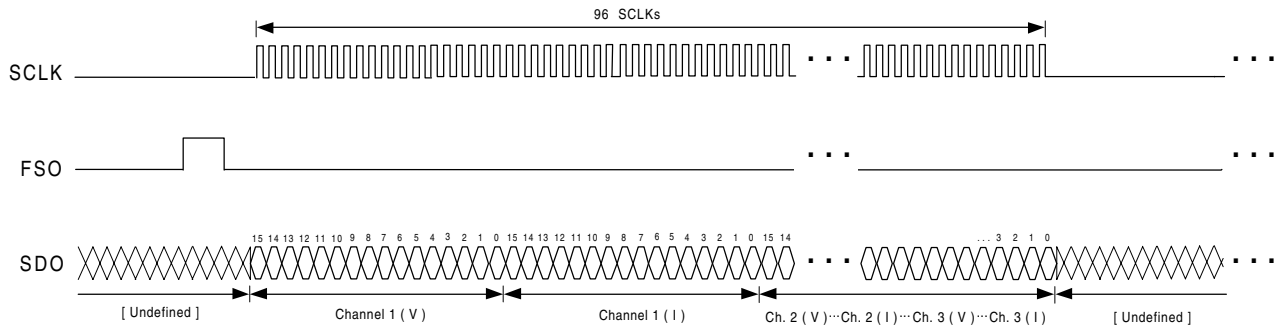


Figure 4. Close-up of One Data Frame

interface (after each A/D conversion cycle). Note: SCLK is not active during FSO high.

For 96 SCLK periods after FSO falls, SCLK is active and SDO produces valid output. Six channels of 16 bit data are output, MSB first. Voltage and current measurements are output (in that order) for three phases. SCLK will then be held low until the next sample period.

3.5 System Initialization

When power to the CS5451A is applied, the chip must be held in a reset condition using the $\overline{\text{RESET}}$ input.

A hardware reset is initiated when the $\overline{\text{RESET}}$ pin is forced low with a minimum pulse width of 50 ns.

3.6 Analog Inputs

The analog inputs of the CS5451A are bipolar voltage inputs: Three voltage channel inputs VIN(1-3) and three current channel inputs IIN(1-3). The CS5451A accommodates a full scale range of 80 mV_{P-P} or 1.6V_{P-P} on the Current Channels and 1.6 V_{P-P} on the Voltage Channels.

3.7 Voltage Reference

The CS5451A is specified for operation with a +1.2 V reference between the VREFIN and AGND pins. The converter includes an internal 1.2 V reference

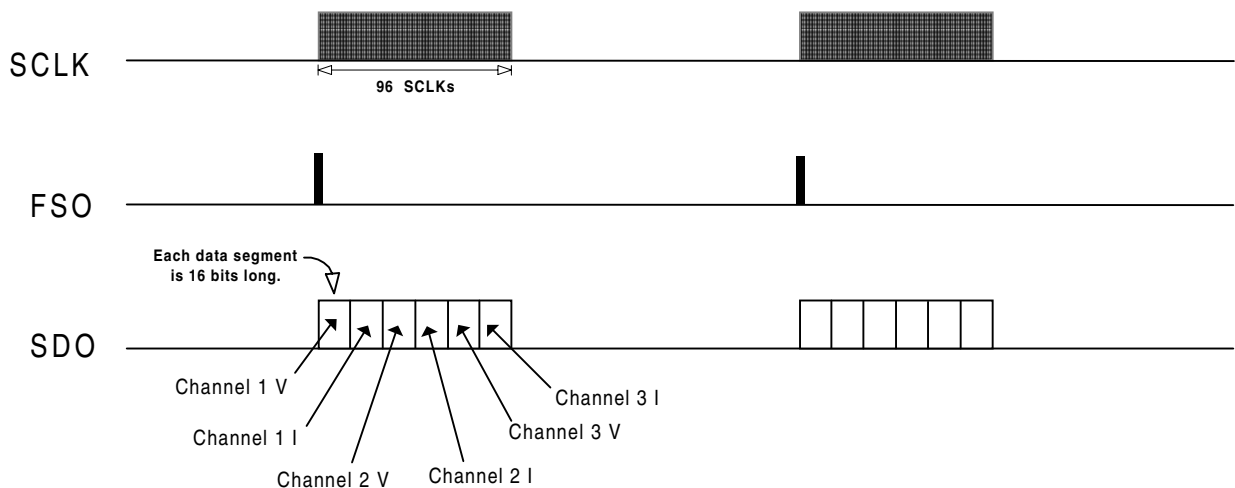


Figure 3. Serial Port Data Transfer

(50 ppm/°C drift) that can be used by connecting the VREFOUT pin to the VREFIN pin of the device. If higher accuracy/stability is required, an external reference can be used.

3.8 Power Supply

The low, stable analog power consumption and superior supply rejection of the CS5451A allow for the use of a simple charge-pump negative supply generator. The use of a negative supply alleviates the need for level shifting of the analog inputs. The CPD pin and capacitor C1 provide the necessary analog supply current as shown in Figure 5. The Schottky diodes D1 and D2 are chosen for their low forward voltages and high-speed capabilities. The capacitor C2 provides the required charge storage and bypassing of the negative supply. The CPD output signal provides the charge pump driver signal. The frequency of the charge pump driver signal is synchronous to XIN. The nominal average frequency is 1 MHz. The level on the VA- pin is fed back internally so that the CPD output will regulate the VA- level to $-2/3$ of VA+ level.

Note the value of C1 in Figure 5. The 40 nF value is recommended when the input frequency presented to the XIN pin is 4.00 MHz. If the user decides to use an XIN frequency that is significantly different than 4.00 MHz (if the XIN frequency is increased/decreased by more than 5% of 4.00 MHz, then it is recommended that the user should alter the value of C1. The percentage change in the value of C1 (with respect to a reference value of 40 nF) should be inversely proportional to the percentage change in the XIN frequency. For example, if the XIN frequency is increased from 4.00 MHz to

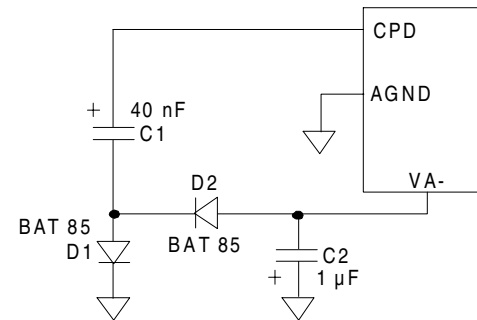


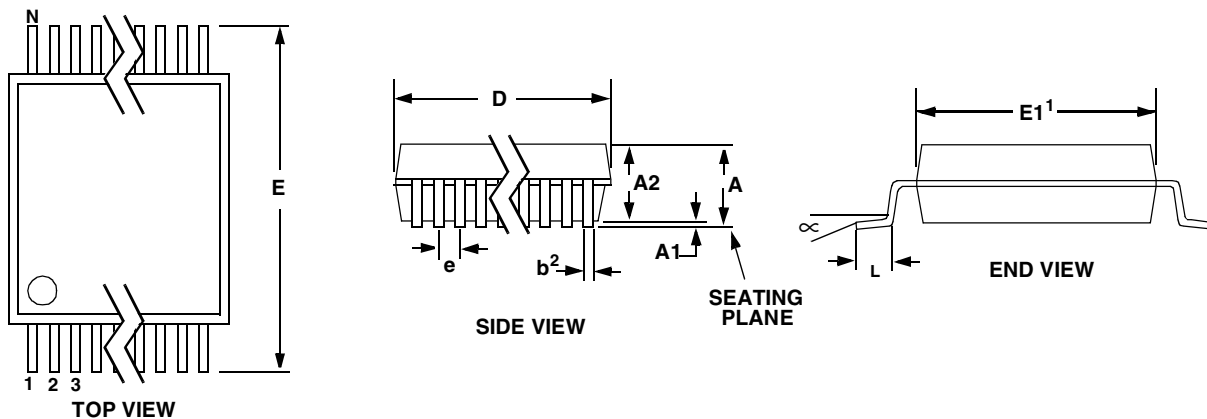
Figure 5. Generating VA- with a Charge Pump

4.5 MHz, this represents a percentage increase of 12.5%. Therefore, the value of C1 should be reduced by 12.5%, making the new value for C1 to be 35 nF. For more information about the operation of this type of charge pump circuit, the reader can refer to Cirrus Logic, Inc.'s application note *AN152: Using the CS5521/24/28, and CS5525/26 Charge Pump Drive for External Loads*.

3.9 PCB Layout

For optimal performance, the CS5451A should be placed entirely over an analog ground plane with both the VA- and DGND pins of the device connected to the analog plane. Place the analog-digital plane split immediately adjacent to the digital portion of the chip.

Note: Refer to the CDB5451 Evaluation Board for suggested layout details and Applications Note 18 for more detailed layout guidelines. Before layout, please call for our Free Schematic Review Service.

4. PACKAGE DIMENSIONS
28L SSOP PACKAGE DRAWING


DIM	INCHES			MILLIMETERS			NOTE
	MIN	NOM	MAX	MIN	NOM	MAX	
A	--	--	0.084	--	--	2.13	
A1	0.002	0.006	0.010	0.05	0.13	0.25	
A2	0.064	0.069	0.074	1.62	1.75	1.88	
b	0.009	--	0.015	0.22	--	0.38	2,3
D	0.390	0.4015	0.413	9.90	10.20	10.50	1
E	0.291	0.307	0.323	7.40	7.80	8.20	
E1	0.197	0.209	0.220	5.00	5.30	5.60	1
e	0.022	0.026	0.030	0.55	0.65	0.75	
L	0.025	0.0354	0.041	0.63	0.90	1.03	
∞	0°	4°	8°	0°	4°	8°	

JEDEC #: MO-150

- Notes:
1. "D" and "E1" are reference datums and do not include mold flash or protrusions, but do include mold mismatch and are measured at the parting line, mold flash or protrusions shall not exceed 0.20 mm per side.
 2. Dimension "b" does not include dambar protrusion/intrusion. Allowable dambar protrusion shall be 0.13 mm total in excess of "b" dimension at maximum material condition. Dambar intrusion shall not reduce dimension "b" by more than 0.07 mm at least material condition.
 3. These dimensions apply to the flat section of the lead between 0.10 and 0.25 mm from lead tips.

5. REVISIONS

Revision	Date	Changes
A1	July 2003	Initial Release
PP1	13 October 2003	Initial release for Preliminary Product Information

Contacting Cirrus Logic Support

For all product questions and inquiries contact a Cirrus Logic Sales Representative.

To find the one nearest to you go to www.cirrus.com

IMPORTANT NOTICE

"Preliminary" product information describes products that are in production, but for which full characterization data is not yet available. Cirrus Logic, Inc. and its subsidiaries ("Cirrus") believe that the information contained in this document is accurate and reliable. However, the information is subject to change without notice and is provided "AS IS" without warranty of any kind (express or implied). Customers are advised to obtain the latest version of relevant information to verify, before placing orders, that information being relied on is current and complete. All products are sold subject to the terms and conditions of sale supplied at the time of order acknowledgment, including those pertaining to warranty, patent infringement, and limitation of liability. No responsibility is assumed by Cirrus for the use of this information, including use of this information as the basis for manufacture or sale of any items, or for infringement of patents or other rights of third parties. This document is the property of Cirrus and by furnishing this information, Cirrus grants no license, express or implied under any patents, mask work rights, copyrights, trademarks, trade secrets or other intellectual property rights. Cirrus owns the copyrights associated with the information contained herein and gives consent for copies to be made of the information only for use within your organization with respect to Cirrus integrated circuits or other products of Cirrus. This consent does not extend to other copying such as copying for general distribution, advertising or promotional purposes, or for creating any work for resale.

An export permit needs to be obtained from the competent authorities of the Japanese Government if any of the products or technologies described in this material and controlled under the "Foreign Exchange and Foreign Trade Law" is to be exported or taken out of Japan. An export license and/or quota needs to be obtained from the competent authorities of the Chinese Government if any of the products or technologies described in this material is subject to the PRC Foreign Trade Law and is to be exported or taken out of the PRC.

CERTAIN APPLICATIONS USING SEMICONDUCTOR PRODUCTS MAY INVOLVE POTENTIAL RISKS OF DEATH, PERSONAL INJURY, OR SEVERE PROPERTY OR ENVIRONMENTAL DAMAGE ("CRITICAL APPLICATIONS"). CIRRUS PRODUCTS ARE NOT DESIGNED, AUTHORIZED OR WARRANTED FOR USE IN AIRCRAFT SYSTEMS, MILITARY APPLICATIONS, PRODUCTS SURGICALLY IMPLANTED INTO THE BODY, LIFE SUPPORT PRODUCTS OR OTHER CRITICAL APPLICATIONS (INCLUDING MEDICAL DEVICES, AIRCRAFT SYSTEMS OR COMPONENTS AND PERSONAL OR AUTOMOTIVE SAFETY OR SECURITY DEVICES). INCLUSION OF CIRRUS PRODUCTS IN SUCH APPLICATIONS IS UNDERSTOOD TO BE FULLY AT THE CUSTOMER'S RISK AND CIRRUS DISCLAIMS AND MAKES NO WARRANTY, EXPRESS, STATUTORY OR IMPLIED, INCLUDING THE IMPLIED WARRANTIES OF MERCHANTABILITY AND FITNESS FOR PARTICULAR PURPOSE, WITH REGARD TO ANY CIRRUS PRODUCT THAT IS USED IN SUCH A MANNER. IF THE CUSTOMER OR CUSTOMER'S CUSTOMER USES OR PERMITS THE USE OF CIRRUS PRODUCTS IN CRITICAL APPLICATIONS, CUSTOMER AGREES, BY SUCH USE, TO FULLY INDEMNIFY CIRRUS, ITS OFFICERS, DIRECTORS, EMPLOYEES, DISTRIBUTORS AND OTHER AGENTS FROM ANY AND ALL LIABILITY, INCLUDING ATTORNEYS' FEES AND COSTS, THAT MAY RESULT FROM OR ARISE IN CONNECTION WITH THESE USES.

Cirrus Logic, Cirrus, and the Cirrus Logic logo designs are trademarks of Cirrus Logic, Inc. All other brand and product names in this document may be trademarks or service marks of their respective owners.