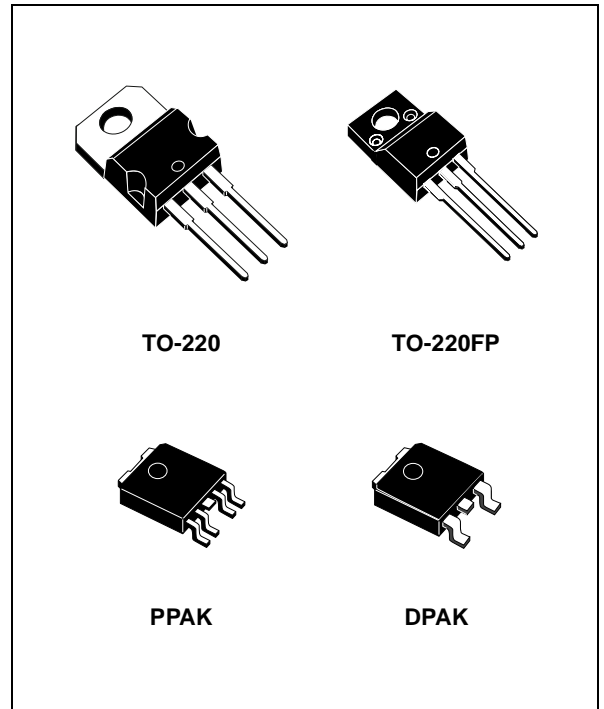


## 1.5A, VERY LOW DROP VOLTAGE REGULATORS

- VERY LOW DROPOUT VOLTAGE (TYP. 0.4 AT 1.5A)
- GUARANTEED OUTPUT CURRENT UP TO 1.5A
- FIXED AND ADJUSTABLE OUTPUT VOLTAGE ( $\pm 1\%$  AT 25°C)
- INTERNAL CURRENT AND THERMAL LIMIT
- LOGIC CONTROLLED ELECTRONIC SHUTDOWN AVAILABLE IN PPAK

### DESCRIPTION

The LD29150 is a high current, high accuracy, low-dropout voltage regulator series. These regulators feature 400mV dropout voltage and very low ground current. Designed for high current loads, these devices are also used in lower current, extremely low dropout-critical systems, where their tiny dropout voltage and ground current values are important attributes. Typical applications are in Power supply switching post regulation, Series power supply for monitors, Series power supply for VCRs and TVs, Computer Systems and Battery powered systems.



**Figure 1: Schematic Diagram For Adjustable Version**

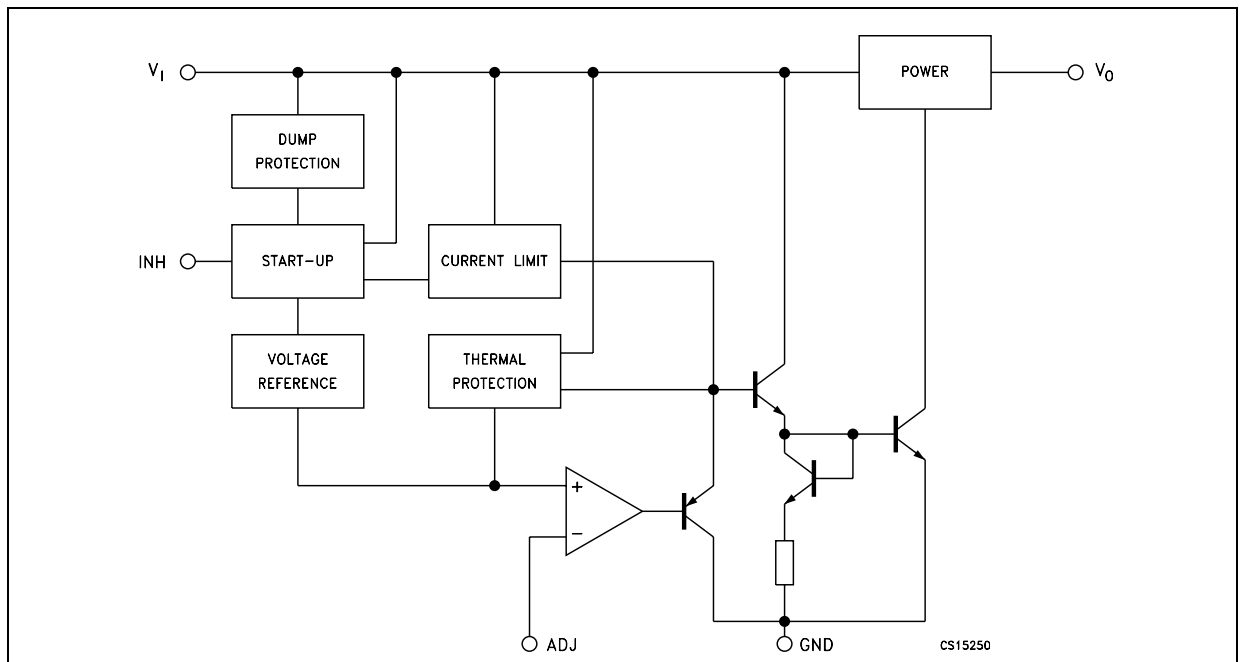
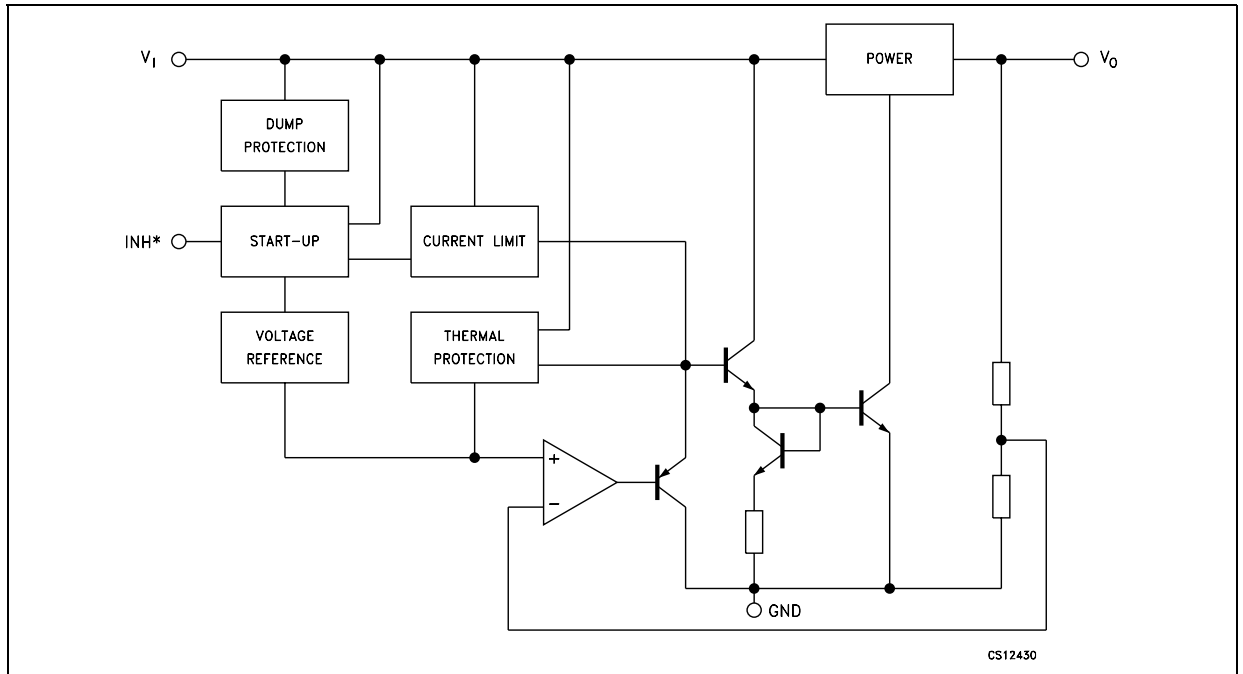


Figure 2: Schematic Diagram For Fixed Version



\* Only for version with inhibit function.

Table 1: Ordering Codes

TO-220 (#)	TO-220FP (#)	DPAK (*)	PPAK (*)	OUTPUT VOLTAGE
LD29150V15	LD29150P15	LD29150DT15	LD29150PT15	1.5 V
LD29150V18	LD29150P18	LD29150DT18	LD29150PT18	1.8 V
LD29150V25	LD29150P25	LD29150DT25	LD29150PT25	2.5 V
LD29150V33	LD29150P33	LD29150DT33	LD29150PT33	3.3 V
LD29150V50	LD29150P50	LD29150DT50	LD29150PT50	5.0 V
LD29150V80	LD29150P80	LD29150DT80	LD29150PT80	8.0 V
			LD29150PT	ADJ

(\*) Available in Tape & Reel with the suffix "R".

(#) Available on request.

Table 2: Absolute Maximum Ratings

Symbol	Parameter	Value	Unit
$V_I$	DC Input Voltage	30 (*)	V
$I_O$	Output Current	Internally Limited	mA
$P_D$	Power Dissipation	Internally Limited	mW
$T_{stg}$	Storage Temperature Range	-55 to 150	°C
$T_{op}$	Operating Junction Temperature Range	-40 to 125	°C

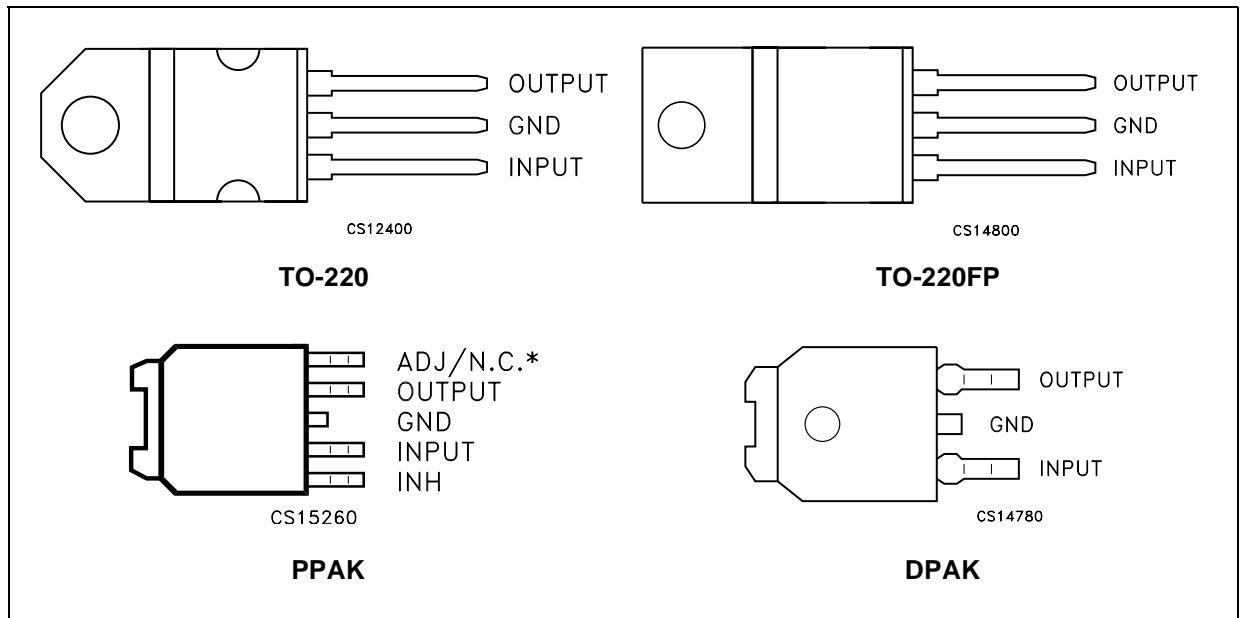
(\*) Above 14V the device is automatically in shut-down.

Absolute Maximum Ratings are those beyond which damage to the device may occur. Functional operation under these condition is not implied.

Table 3: Thermal Data

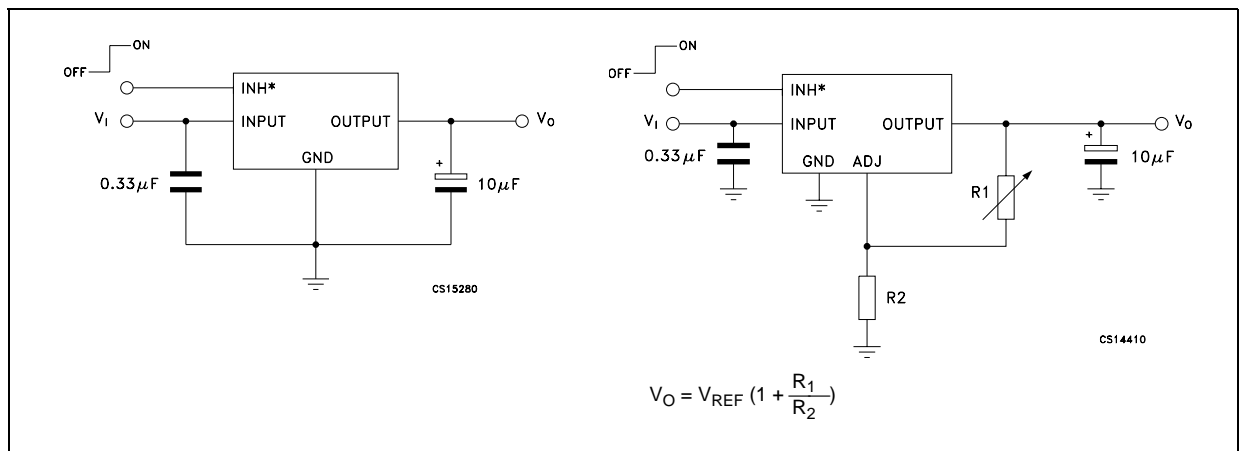
Symbol	Parameter	DPAK	PPAK	TO-220	TO-220FP	Unit
$R_{thj-case}$	Thermal Resistance Junction-case	8	8	3	4	°C/W
$R_{thj-amb}$	Thermal Resistance Junction-ambient	100	100	50	60	°C/W

Figure 3: Pin Connection (top view)



\* Not connected for fixed version.

Figure 4: Application Circuit



\* Only for version with inhibit function.

**Table 4: Electrical Characteristics Of LD29150#15**

( $I_O = 10\text{mA}$ ,  $T_J = 25^\circ\text{C}$ ,  $V_I = 3.5\text{V}$ ,  $V_{INH} = 2\text{V}$  (Note 2),  $C_I = 330\text{nF}$ ,  $C_O = 10\mu\text{F}$ , unless otherwise specified)

Symbol	Parameter	Test Conditions	Min.	Typ.	Max.	Unit
$V_I$	Minimum Operating Input Voltage	$I_O = 10\text{mA}$ to 1.5A $T_J = -40$ to $125^\circ\text{C}$	2.5			V
$V_O$	Output Voltage	$I_O = 10\text{mA}$ to 1.5A, $V_I = 3$ to 7V $T_J = -40$ to $125^\circ\text{C}$	1.485 1.47	1.5	1.515 1.53	V
$\Delta V_O$	Load Regulation	$I_O = 10\text{mA}$ to 1.5A		0.2	1.0	%
$\Delta V_O$	Line Regulation	$V_I = 3$ to 13V		0.06	0.5	%
SVR	Supply Voltage Rejection	$f = 120\text{ Hz}$ , $V_I = 3.5 \pm 1\text{V}$ , $I_O = 0.75\text{A}$ (Note 1)	65	75		dB
$I_q$	Quiescent Current	$I_O = 0.75\text{A}$ , $T_J = -40$ to $125^\circ\text{C}$		15	40	mA
		$I_O = 1.5\text{A}$ , $T_J = -40$ to $125^\circ\text{C}$		30	80	
		$V_I = 13\text{V}$ , $V_{INH} = \text{GND}$ $T_J = -40$ to $125^\circ\text{C}$		130	180	$\mu\text{A}$
$I_{sc}$	Short Circuit Current	$V_I - V_O = 5.5\text{V}$		2.2		A
$V_{IL}$	Control Input Logic Low	OFF MODE, (NOTE 2) $T_J = -40$ to $125^\circ\text{C}$			0.8	V
$V_{IH}$	Control Input Logic High	ON MODE, (NOTE 2) $T_J = -40$ to $125^\circ\text{C}$	2			V
$I_{INH}$	Control Input Current	$T_J = -40$ to $125^\circ\text{C}$ $V_{INH} = 13\text{V}$		5	10	$\mu\text{A}$
eN	Output Noise Voltage	$B_P = 10\text{Hz}$ to $100\text{KHz}$ $I_O = 100\text{mA}$		60		$\mu\text{V}_{\text{RMS}}$

NOTE 1: Guaranteed by design.

NOTE 2: Only for version with Inhibit function.

**Table 5: Electrical Characteristics Of LD29150#18**

( $I_O = 10\text{mA}$ ,  $T_J = 25^\circ\text{C}$ ,  $V_I = 3.8\text{V}$ ,  $V_{INH} = 2\text{V}$  (Note 3),  $C_I = 330\text{nF}$ ,  $C_O = 10\mu\text{F}$ , unless otherwise specified)

Symbol	Parameter	Test Conditions	Min.	Typ.	Max.	Unit
$V_O$	Output Voltage	$I_O = 10\text{mA}$ to 1.5A, $V_I = 3$ to 7.3V $T_J = -40$ to $125^\circ\text{C}$	1.782	1.8	1.818	V
			1.764		1.836	
$\Delta V_O$	Load Regulation	$I_O = 10\text{mA}$ to 1.5A		0.2	1.0	%
$\Delta V_O$	Line Regulation	$V_I = 3$ to 13V		0.06	0.5	%
SVR	Supply Voltage Rejection	$f = 120\text{ Hz}$ , $V_I = 3.8 \pm 1\text{V}$ , $I_O = 0.75\text{A}$ (Note 1)	62	72		dB
$V_{\text{DROPP}}$	Dropout Voltage	$I_O = 250\text{mA}$ , $T_J = -40$ to $125^\circ\text{C}$ (Note 2)		0.1		V
		$I_O = 0.75\text{A}$ , $T_J = -40$ to $125^\circ\text{C}$ (Note 2)		0.2		
		$I_O = 1.5\text{A}$ , $T_J = -40$ to $125^\circ\text{C}$ (Note 2)		0.4	0.7	
$I_q$	Quiescent Current	$I_O = 0.75\text{A}$ , $T_J = -40$ to $125^\circ\text{C}$		15	40	mA
		$I_O = 1.5\text{A}$ , $T_J = -40$ to $125^\circ\text{C}$		30	80	
		$V_I = 13\text{V}$ , $V_{INH} = \text{GND}$ $T_J = -40$ to $125^\circ\text{C}$		130	180	$\mu\text{A}$
$I_{sc}$	Short Circuit Current	$V_I - V_O = 5.5\text{V}$		2.2		A
$V_{IL}$	Control Input Logic Low	OFF MODE, (NOTE 3) $T_J = -40$ to $125^\circ\text{C}$			0.8	V
$V_{IH}$	Control Input Logic High	ON MODE, (NOTE 3) $T_J = -40$ to $125^\circ\text{C}$	2			V
$I_{INH}$	Control Input Current	$T_J = -40$ to $125^\circ\text{C}$ $V_{INH} = 13\text{V}$		5	10	$\mu\text{A}$
eN	Output Noise Voltage	$B_P = 10\text{Hz}$ to $100\text{KHz}$ $I_O = 100\text{mA}$		72		$\mu\text{V}_{\text{RMS}}$

NOTE 1: Guaranteed by design.

NOTE 2: Dropout voltage is defined as the input-to-output differential when the output voltage drops to 99% of its nominal value with  $V_{O+1\text{V}}$  applied to  $V_I$ .

NOTE 3: Only for version with Inhibit function.

**Table 6: Electrical Characteristics Of LD29150#25**(I<sub>O</sub> = 10mA, T<sub>J</sub> = 25°C, V<sub>I</sub> = 4.5V, V<sub>INH</sub> = 2V (Note 3), C<sub>1</sub> = 330nF, C<sub>O</sub> = 10μF, unless otherwise specified)

Symbol	Parameter	Test Conditions	Min.	Typ.	Max.	Unit
V <sub>O</sub>	Output Voltage	I <sub>O</sub> = 10mA to 1.5A, V <sub>I</sub> = 3.5 to 8V T <sub>J</sub> = -40 to 125°C	2.475 2.45	2.5	2.525 2.55	V
ΔV <sub>O</sub>	Load Regulation	I <sub>O</sub> = 10mA to 1.5A		0.2	1.0	%
ΔV <sub>O</sub>	Line Regulation	V <sub>I</sub> = 3.5 to 13V		0.06	0.5	%
SVR	Supply Voltage Rejection	f = 120 Hz, V <sub>I</sub> = 4.5 ± 1V, I <sub>O</sub> = 0.75A (Note 1)	55	70		dB
V <sub>DROP</sub>	Dropout Voltage	I <sub>O</sub> = 250mA, T <sub>J</sub> = -40 to 125°C (Note 2)		0.1		V
		I <sub>O</sub> = 0.75A, T <sub>J</sub> = -40 to 125°C (Note 2)		0.2		
		I <sub>O</sub> = 1.5A, T <sub>J</sub> = -40 to 125°C (Note 2)		0.4	0.7	
I <sub>q</sub>	Quiescent Current	I <sub>O</sub> = 0.75A, T <sub>J</sub> = -40 to 125°C		15	40	mA
		I <sub>O</sub> = 1.5A, T <sub>J</sub> = -40 to 125°C		30	80	
		V <sub>I</sub> = 13V, V <sub>INH</sub> = GND T <sub>J</sub> = -40 to 125°C		130	180	μA
I <sub>sc</sub>	Short Circuit Current	V <sub>I</sub> - V <sub>O</sub> = 5.5V		2.2		A
V <sub>IL</sub>	Control Input Logic Low	OFF MODE, (NOTE 3) T <sub>J</sub> = -40 to 125°C			0.8	V
V <sub>IH</sub>	Control Input Logic High	ON MODE, (NOTE 3) T <sub>J</sub> = -40 to 125°C	2			V
I <sub>INH</sub>	Control Input Current	T <sub>J</sub> = -40 to 125°C V <sub>INH</sub> = 13V		5	10	μA
eN	Output Noise Voltage	B <sub>P</sub> = 10Hz to 100KHz I <sub>O</sub> = 100mA		100		μV <sub>RMS</sub>

NOTE 1: Guaranteed by design.

NOTE 2: Dropout voltage is defined as the input-to-output differential when the output voltage drops to 99% of its nominal value with V<sub>O</sub>+1V applied to V<sub>I</sub>.

NOTE 3: Only for version with Inhibit function.

**Table 7: Electrical Characteristics Of LD29150#33**(I<sub>O</sub> = 10mA, T<sub>J</sub> = 25°C, V<sub>I</sub> = 5.3V, V<sub>INH</sub> = 2V (Note 3), C<sub>1</sub> = 330nF, C<sub>O</sub> = 10μF, unless otherwise specified)

Symbol	Parameter	Test Conditions	Min.	Typ.	Max.	Unit
V <sub>O</sub>	Output Voltage	I <sub>O</sub> = 10mA to 1.5A, V <sub>I</sub> = 4.3 to 8.8V T <sub>J</sub> = -40 to 125°C	3.267 3.234	3.3	3.333 3.366	V
ΔV <sub>O</sub>	Load Regulation	I <sub>O</sub> = 10mA to 1.5A		0.2	1.0	%
ΔV <sub>O</sub>	Line Regulation	V <sub>I</sub> = 4.3 to 13V		0.06	0.5	%
SVR	Supply Voltage Rejection	f = 120 Hz, V <sub>I</sub> = 5.3 ± 1V, I <sub>O</sub> = 0.75A (Note 1)	52	67		dB
V <sub>DROP</sub>	Dropout Voltage	I <sub>O</sub> = 250mA, T <sub>J</sub> = -40 to 125°C (Note 2)		0.1		V
		I <sub>O</sub> = 0.75A, T <sub>J</sub> = -40 to 125°C (Note 2)		0.2		
		I <sub>O</sub> = 1.5A, T <sub>J</sub> = -40 to 125°C (Note 2)		0.4	0.7	
I <sub>q</sub>	Quiescent Current	I <sub>O</sub> = 0.75A, T <sub>J</sub> = -40 to 125°C		15	40	mA
		I <sub>O</sub> = 1.5A, T <sub>J</sub> = -40 to 125°C		30	80	
		V <sub>I</sub> = 13V, V <sub>INH</sub> = GND T <sub>J</sub> = -40 to 125°C		130	180	μA
I <sub>sc</sub>	Short Circuit Current	V <sub>I</sub> - V <sub>O</sub> = 5.5V		2.2		A
V <sub>IL</sub>	Control Input Logic Low	OFF MODE, (NOTE 3) T <sub>J</sub> = -40 to 125°C			0.8	V
V <sub>IH</sub>	Control Input Logic High	ON MODE, (NOTE 3) T <sub>J</sub> = -40 to 125°C	2			V
I <sub>INH</sub>	Control Input Current	T <sub>J</sub> = -40 to 125°C V <sub>INH</sub> = 13V		5	10	μA
eN	Output Noise Voltage	B <sub>P</sub> = 10Hz to 100KHz I <sub>O</sub> = 100mA		132		μV <sub>RMS</sub>

NOTE 1: Guaranteed by design.

NOTE 2: Dropout voltage is defined as the input-to-output differential when the output voltage drops to 99% of its nominal value with V<sub>O</sub>+1V applied to V<sub>I</sub>.

NOTE 3: Only for version with Inhibit function.

**Table 8: Electrical Characteristics Of LD29150#50**

( $I_O = 10\text{mA}$ ,  $T_J = 25^\circ\text{C}$ ,  $V_I = 7\text{V}$ ,  $V_{INH} = 2\text{V}$  (Note 3),  $C_I = 330\text{nF}$ ,  $C_O = 10\mu\text{F}$ , unless otherwise specified)

Symbol	Parameter	Test Conditions	Min.	Typ.	Max.	Unit
$V_O$	Output Voltage	$I_O = 10\text{mA}$ to 1.5A, $V_I = 6$ to 10.5V $T_J = -40$ to $125^\circ\text{C}$	4.95	5	5.05	V
			4.9		5.1	
$\Delta V_O$	Load Regulation	$I_O = 10\text{mA}$ to 1.5A		0.2	1.0	%
$\Delta V_O$	Line Regulation	$V_I = 6$ to 13V		0.06	0.5	%
SVR	Supply Voltage Rejection	$f = 120\text{Hz}$ , $V_I = 7 \pm 1\text{V}$ , $I_O = 0.75\text{A}$ (Note 1)	49	64		dB
$V_{DROP}$	Dropout Voltage	$I_O = 250\text{mA}$ , $T_J = -40$ to $125^\circ\text{C}$ (Note 2)		0.1		V
		$I_O = 0.75\text{A}$ , $T_J = -40$ to $125^\circ\text{C}$ (Note 2)		0.2		
		$I_O = 1.5\text{A}$ , $T_J = -40$ to $125^\circ\text{C}$ (Note 2)		0.4	0.7	
$I_q$	Quiescent Current	$I_O = 0.75\text{A}$ , $T_J = -40$ to $125^\circ\text{C}$		15	40	mA
		$I_O = 1.5\text{A}$ , $T_J = -40$ to $125^\circ\text{C}$		30	80	
		$V_I = 13\text{V}$ , $V_{INH} = \text{GND}$ $T_J = -40$ to $125^\circ\text{C}$		130	180	$\mu\text{A}$
$I_{SC}$	Short Circuit Current	$V_I - V_O = 5.5\text{V}$		2.2		A
$V_{IL}$	Control Input Logic Low	OFF MODE, (NOTE 3) $T_J = -40$ to $125^\circ\text{C}$			0.8	V
$V_{IH}$	Control Input Logic High	ON MODE, (NOTE 3) $T_J = -40$ to $125^\circ\text{C}$	2			V
$I_{INH}$	Control Input Current	$T_J = -40$ to $125^\circ\text{C}$ $V_{INH} = 13\text{V}$		5	10	$\mu\text{A}$
eN	Output Noise Voltage	$B_P = 10\text{Hz}$ to $100\text{KHz}$ $I_O = 100\text{mA}$		200		$\mu\text{V}_{RMS}$

NOTE 1: Guaranteed by design.

NOTE 2: Dropout voltage is defined as the input-to-output differential when the output voltage drops to 99% of its nominal value with  $V_O + 1\text{V}$  applied to  $V_I$ .

NOTE 3: Only for version with Inhibit function.

**Table 9: Electrical Characteristics Of LD29150#80**

( $I_O = 10\text{mA}$ ,  $T_J = 25^\circ\text{C}$ ,  $V_I = 10\text{V}$ ,  $V_{INH} = 2\text{V}$  (Note 3),  $C_I = 330\text{nF}$ ,  $C_O = 10\mu\text{F}$ , unless otherwise specified)

Symbol	Parameter	Test Conditions	Min.	Typ.	Max.	Unit
$V_O$	Output Voltage	$I_O = 10\text{mA}$ to 1.5A, $V_I = 9$ to 13V $T_J = -40$ to $125^\circ\text{C}$	7.92	8	8.08	V
			7.84		8.16	
$\Delta V_O$	Load Regulation	$I_O = 10\text{mA}$ to 1.5A		0.2	1.0	%
$\Delta V_O$	Line Regulation	$V_I = 9$ to 13V		0.06	0.5	%
SVR	Supply Voltage Rejection	$f = 120\text{Hz}$ , $V_I = 9 \pm 1\text{V}$ , $I_O = 0.75\text{A}$ (Note 1)	45	59		dB
$V_{DROP}$	Dropout Voltage	$I_O = 250\text{mA}$ , $T_J = -40$ to $125^\circ\text{C}$ (Note 2)		0.1		V
		$I_O = 0.75\text{A}$ , $T_J = -40$ to $125^\circ\text{C}$ (Note 2)		0.2		
		$I_O = 1.5\text{A}$ , $T_J = -40$ to $125^\circ\text{C}$ (Note 2)		0.4	0.7	
$I_q$	Quiescent Current	$I_O = 0.75\text{A}$ , $T_J = -40$ to $125^\circ\text{C}$		15	40	mA
		$I_O = 1.5\text{A}$ , $T_J = -40$ to $125^\circ\text{C}$		30	80	
		$V_I = 13\text{V}$ , $V_{INH} = \text{GND}$ $T_J = -40$ to $125^\circ\text{C}$		130	180	$\mu\text{A}$
$I_{SC}$	Short Circuit Current	$V_I - V_O = 5.5\text{V}$		2.2		A
$V_{IL}$	Control Input Logic Low	OFF MODE, (NOTE 3) $T_J = -40$ to $125^\circ\text{C}$			0.8	V
$V_{IH}$	Control Input Logic High	ON MODE, (NOTE 3) $T_J = -40$ to $125^\circ\text{C}$	2			V
$I_{INH}$	Control Input Current	$T_J = -40$ to $125^\circ\text{C}$ $V_{INH} = 13\text{V}$		5	10	$\mu\text{A}$
eN	Output Noise Voltage	$B_P = 10\text{Hz}$ to $100\text{KHz}$ $I_O = 100\text{mA}$		320		$\mu\text{V}_{RMS}$

NOTE 1: Guaranteed by design.

NOTE 2: Dropout voltage is defined as the input-to-output differential when the output voltage drops to 99% of its nominal value with  $V_O + 1\text{V}$  applied to  $V_I$ .

NOTE 3: Only for version with Inhibit function.

**Table 10: Electrical Characteristics Of LD29150#ADJ**

( $I_O = 10\text{mA}$ ,  $T_J = 25^\circ\text{C}$ ,  $V_I = 3.23\text{V}$ ,  $V_{INH} = 2\text{V}$  (Note 3),  $C_1 = 330\text{nF}$ ,  $C_O = 10\mu\text{F}$  adjust pin tied to output pin)

Symbol	Parameter	Test Conditions	Min.	Typ.	Max.	Unit
$V_I$	Minimum Operating Input Voltage	$I_O = 10\text{mA}$ to $1.5\text{A}$ $T_J = -40$ to $125^\circ\text{C}$	2.5			V
$\Delta V_O$	Load Regulation	$I_O = 10\text{mA}$ to $1.5\text{A}$		0.2	1.0	%
$\Delta V_O$	Line Regulation	$V_I = 2.5\text{V}$ to $13\text{V}$ $I_O = 10\text{mA}$		0.06	0.5	%
$V_{REF}$	Reference Voltage	$I_O = 10\text{mA}$ to $1.5\text{A}$ , $V_I = 2.5$ to $4.5\text{V}$ $T_J = -40$ to $125^\circ\text{C}$ (Note 2)	-1%	1.23	+1%	V
			-2%		+2%	
SVR	Supply Voltage Rejection	$f = 120\text{Hz}$ , $V_I = 3.23 \pm 1\text{V}$ , $I_O = 0.75\text{A}$ (Note 1)	45	75		dB
$I_q$	Quiescent Current	$I_O = 0.75\text{A}$ , $T_J = -40$ to $125^\circ\text{C}$		15	40	mA
		$I_O = 1.5\text{A}$ , $T_J = -40$ to $125^\circ\text{C}$		30	80	
		$V_I = 13\text{V}$ , $V_{INH} = \text{GND}$ $T_J = -40$ to $125^\circ\text{C}$		130	180	$\mu\text{A}$
$I_{ADJ}$	Adjust Pin Current	$T_J = -40$ to $125^\circ\text{C}$ (Note 1)			1	$\mu\text{A}$
$I_{sc}$	Short Circuit Current	$V_I - V_O = 5.5\text{V}$		2.2		A
$V_{IL}$	Control Input Logic Low	OFF MODE, (NOTE 3) $T_J = -40$ to $125^\circ\text{C}$			0.8	V
$V_{IH}$	Control Input Logic High	ON MODE, (NOTE 3) $T_J = -40$ to $125^\circ\text{C}$	2			V
$I_{INH}$	Control Input Current	$T_J = -40$ to $125^\circ\text{C}$ $V_{INH} = 13\text{V}$		5	10	$\mu\text{A}$
eN	Output Noise Voltage	$B_p = 10\text{Hz}$ to $100\text{KHz}$ $I_O = 100\text{mA}$		50		$\mu\text{V}_{RMS}$

NOTE 1: Guaranteed by design.

NOTE 2: reference Voltage is measured between output and GND pin, with ADJ PIN tied to  $V_{OUT}$ .

NOTE 3: Only for version with Inhibit function.

## TYPICAL CHARACTERISTICS

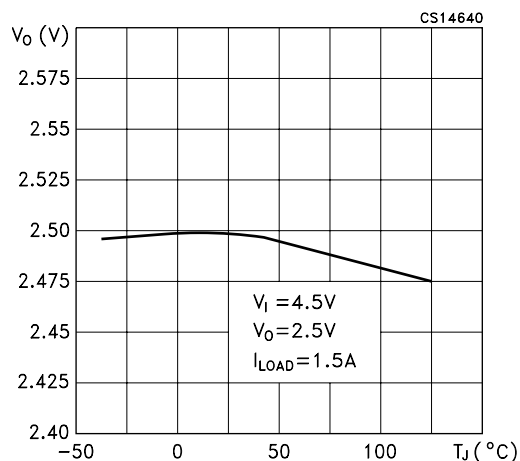
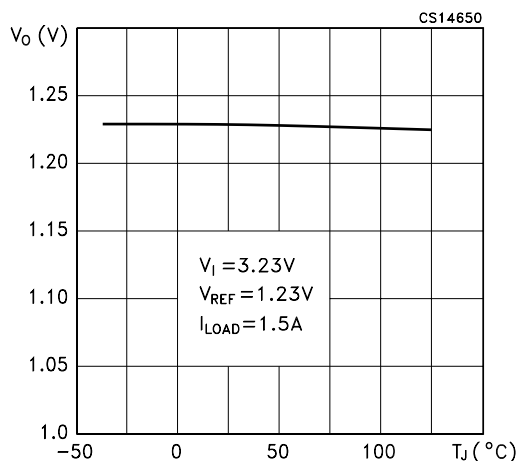
**Figure 5: Output Voltage vs Temperature****Figure 6: Reference Voltage vs Temperature**

Figure 7: Dropout Voltage vs Temperature

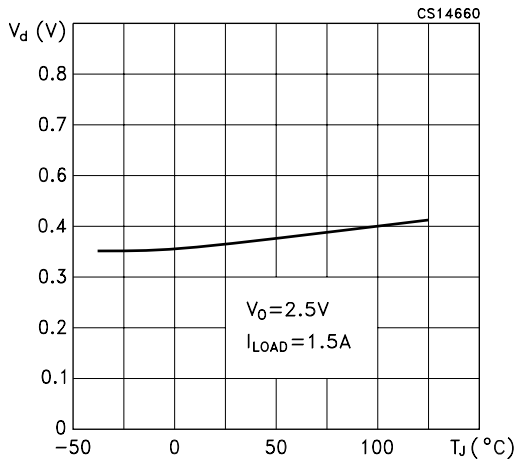


Figure 8: Dropout Voltage vs Output Current

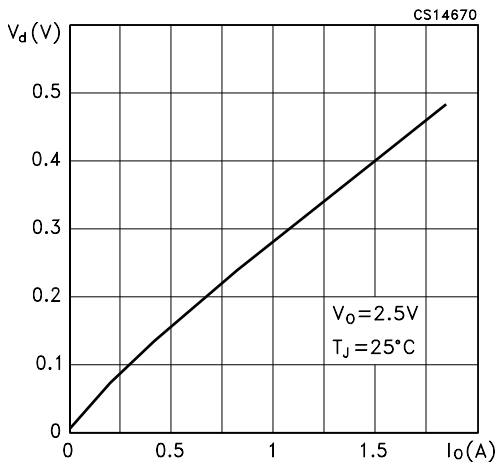


Figure 9: Quiescent Current vs Output Current

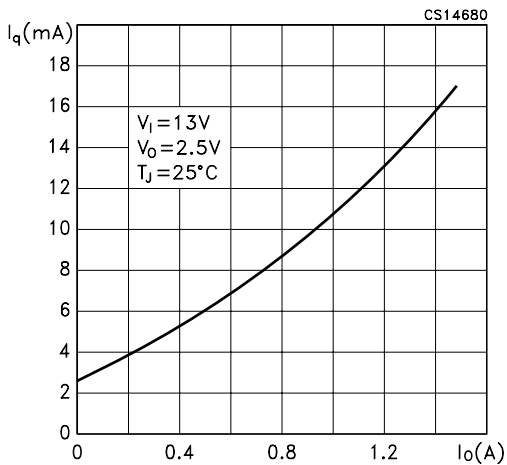


Figure 10: Quiescent Current vs Output Current

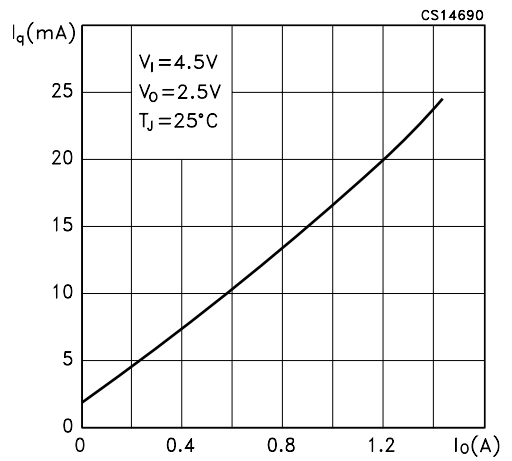


Figure 11: Quiescent Current vs Supply Voltage

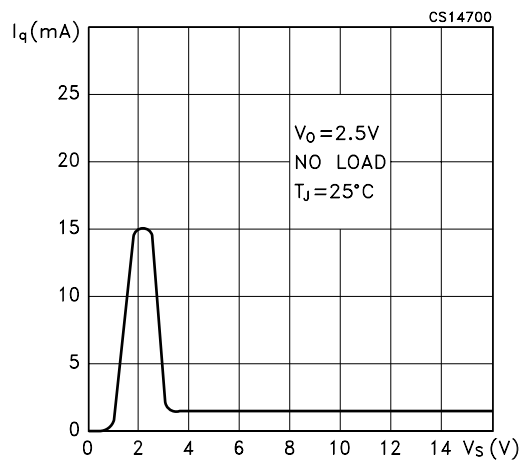


Figure 12: Quiescent Current vs Temperature

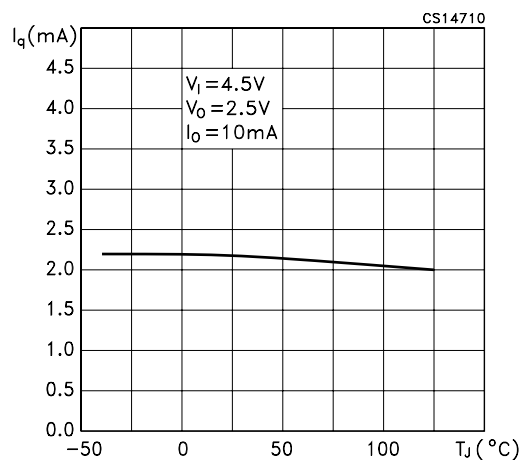




Figure 13: Quiescent Current vs Temperature

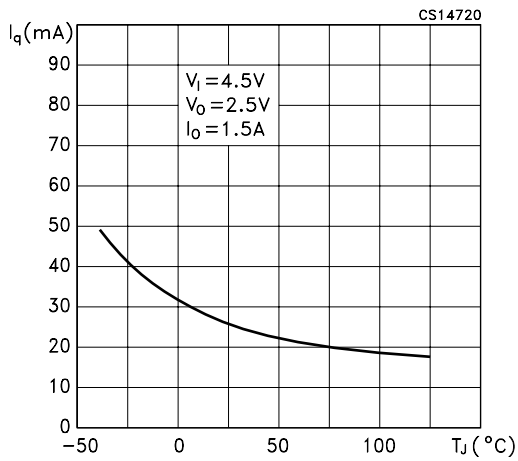


Figure 16: Supply Voltage Rejection vs Temperature

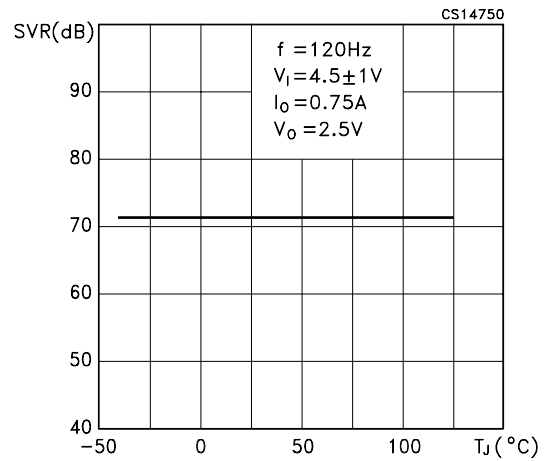


Figure 14: Short Circuit Current vs Temperature

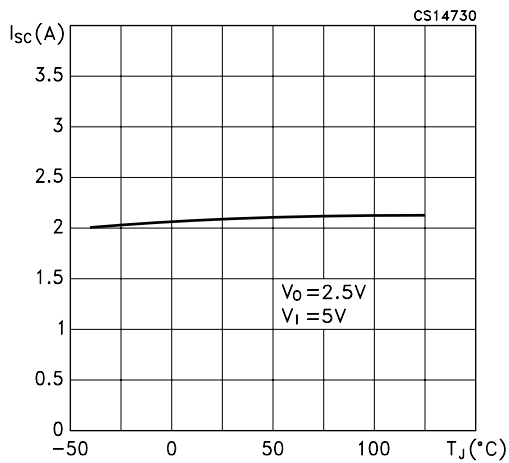


Figure 17: Output Voltage vs Input Voltage

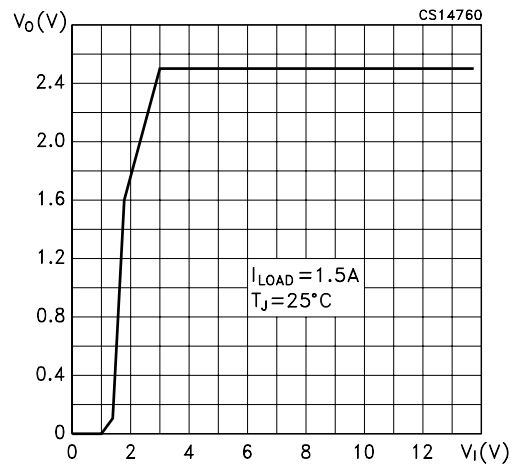


Figure 15: Adjust Pin Current vs Temperature

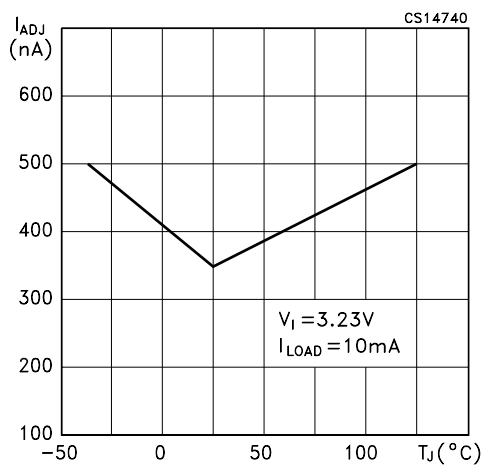


Figure 18: Stability vs Co

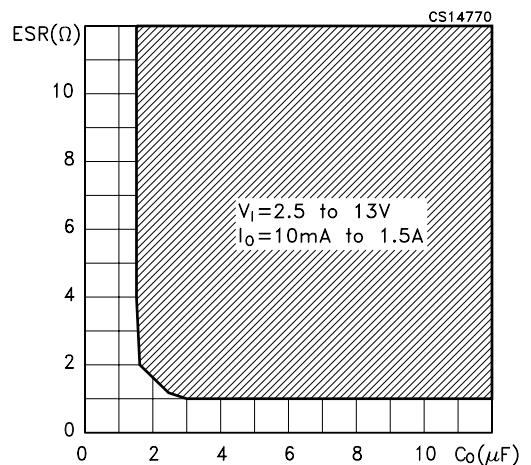
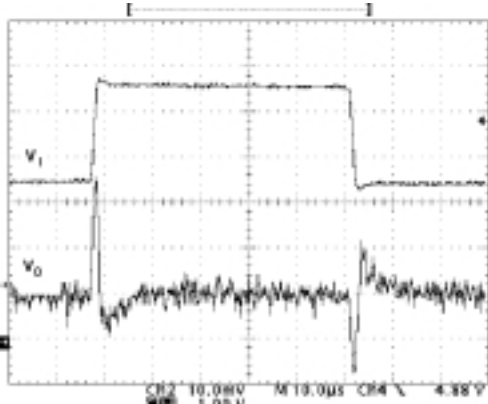
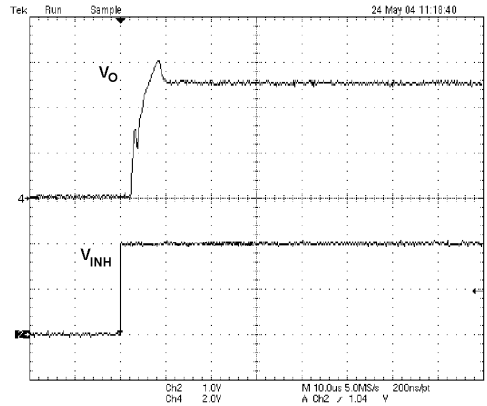


Figure 19: Line Transient



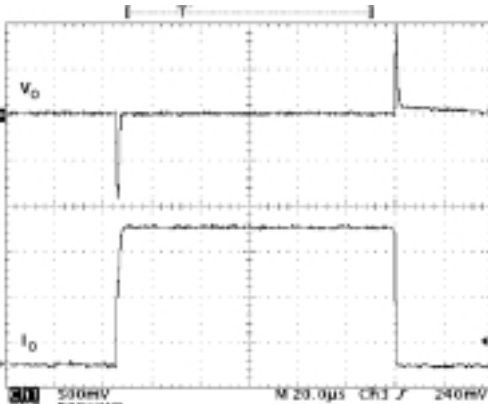
$V_I=3.5$  to  $5.5V$ ,  $I_O=10mA$ ,  $V_O=2.5V$ ,  $C_O=10\mu F$

Figure 21: Start-Up Time 10mA



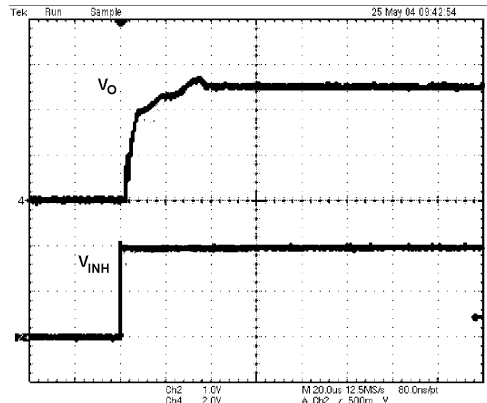
$C_O=10\mu F$ ,  $I_O=10mA$ ,  $V_{INH}=2V$ ,  $V_O=5V$ ,  $V_I=7V$

Figure 20: Load Transient



$V_I=5V$ ,  $I_O=10mA$  to  $1.5A$ ,  $V_O=2.5V$ ,  $C_O=10\mu F$

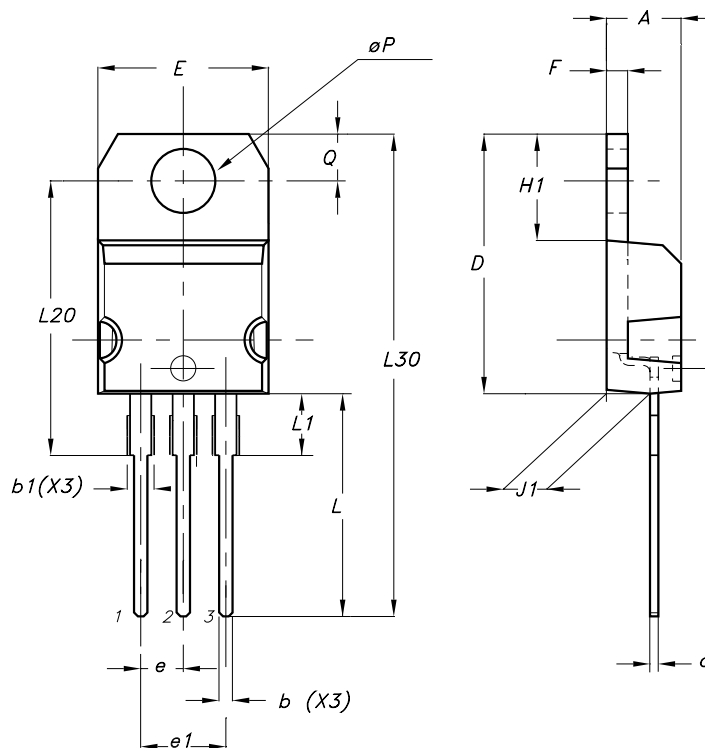
Figure 22: Start-Up Time 1.5A



$C_O=10\mu F$ ,  $I_O=1.5A$ ,  $V_{INH}=2V$ ,  $V_O=5V$ ,  $V_I=7V$

## TO-220 (A TYPE) MECHANICAL DATA

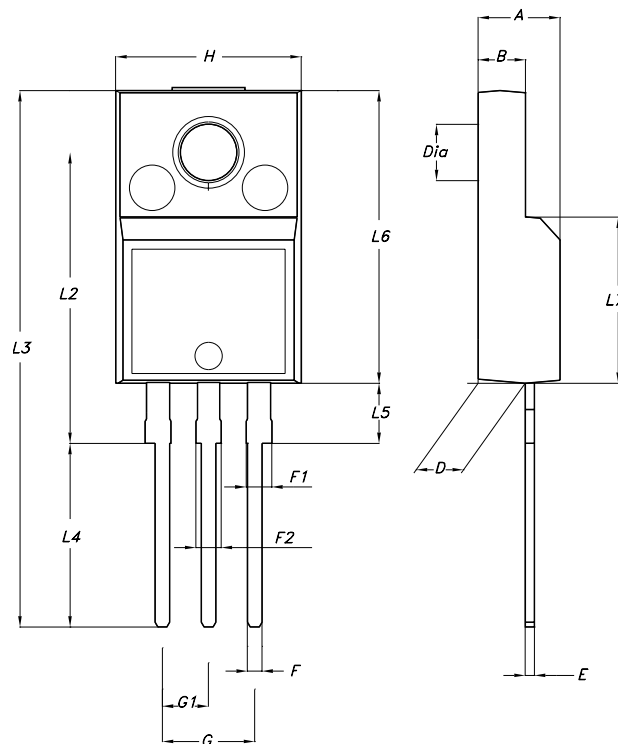
DIM.	mm.			inch		
	MIN.	TYP.	MAX.	MIN.	TYP.	MAX.
A	4.40		4.60	0.173		0.181
b	0.61		0.88	0.024		0.034
b1	1.15		1.70	0.045		0.067
c	0.49		0.70	0.019		0.027
D	15.25		15.75	0.600		0.620
E	10.0		10.40	0.393		0.409
e	2.4		2.7	0.094		0.106
e1	4.95		5.15	0.194		0.203
F	1.23		1.32	0.048		0.051
H1	6.2		6.6	0.244		0.260
J1	2.40		2.72	0.094		0.107
L	13.0		14.0	0.511		0.551
L1	3.5		3.93	0.137		0.154
L20		16.4			0.645	
L30		28.9			1.138	
$\phi P$	3.75		3.85	0.147		0.151
Q	2.65		2.95	0.104		0.116



0015988/N

## TO-220FP MECHANICAL DATA

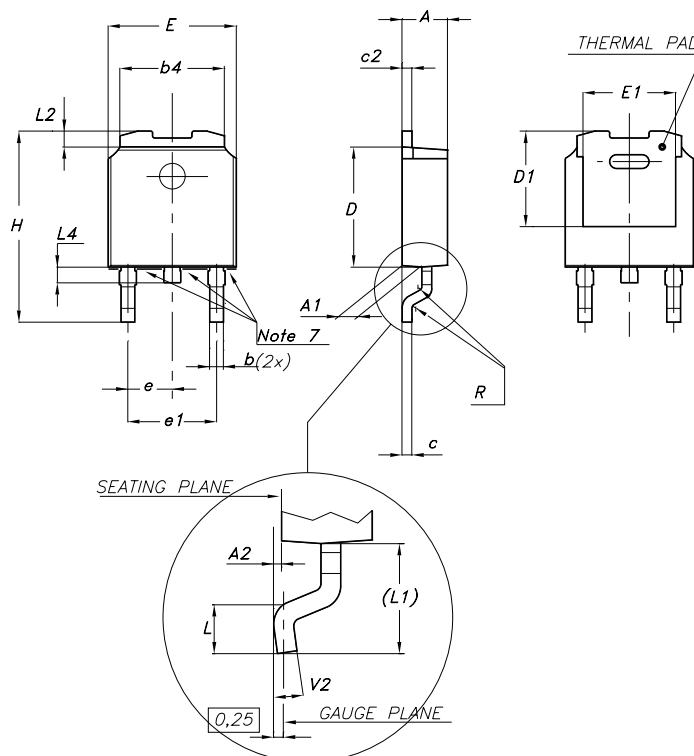
DIM.	mm.			inch		
	MIN.	TYP	MAX.	MIN.	TYP.	MAX.
A	4.40		4.60	0.173		0.181
B	2.5		2.7	0.098		0.106
D	2.5		2.75	0.098		0.108
E	0.45		0.70	0.017		0.027
F	0.75		1	0.030		0.039
F1	1.15		1.50	0.045		0.059
F2	1.15		1.50	0.045		0.059
G	4.95		5.2	0.194		0.204
G1	2.4		2.7	0.094		0.106
H	10.0		10.40	0.393		0.409
L2		16			0.630	
L3	28.6		30.6	1.126		1.204
L4	9.8		10.6	0.385		0.417
L5	2.9		3.6	0.114		0.142
L6	15.9		16.4	0.626		0.645
L7	9		9.3	0.354		0.366
DIA.	3		3.2	0.118		0.126



7012510A-H

## DPAK MECHANICAL DATA

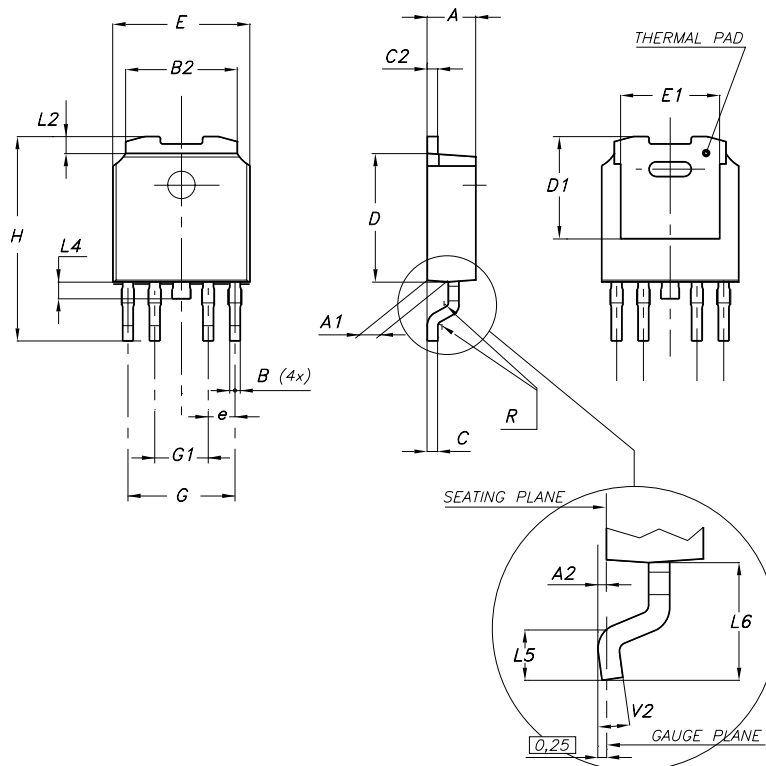
DIM.	mm.			inch		
	MIN.	TYP	MAX.	MIN.	TYP.	MAX.
A	2.2		2.4	0.086		0.094
A1	0.9		1.1	0.035		0.043
A2	0.03		0.23	0.001		0.009
B	0.64		0.9	0.025		0.035
B2	5.2		5.4	0.204		0.212
C	0.45		0.6	0.017		0.023
C2	0.48		0.6	0.019		0.023
D	6		6.2	0.236		0.244
D1		5.1			0.200	
E	6.4		6.6	0.252		0.260
E1		4.7			0.185	
e		2.28			0.090	
e1	4.4		4.6	0.173		0.181
H	9.35		10.1	0.368		0.397
L	1			0.039		
(L1)		2.8			0.110	
L2		0.8			0.031	
L4	0.6		1	0.023		0.039



0068772-F

PPAK MECHANICAL DATA

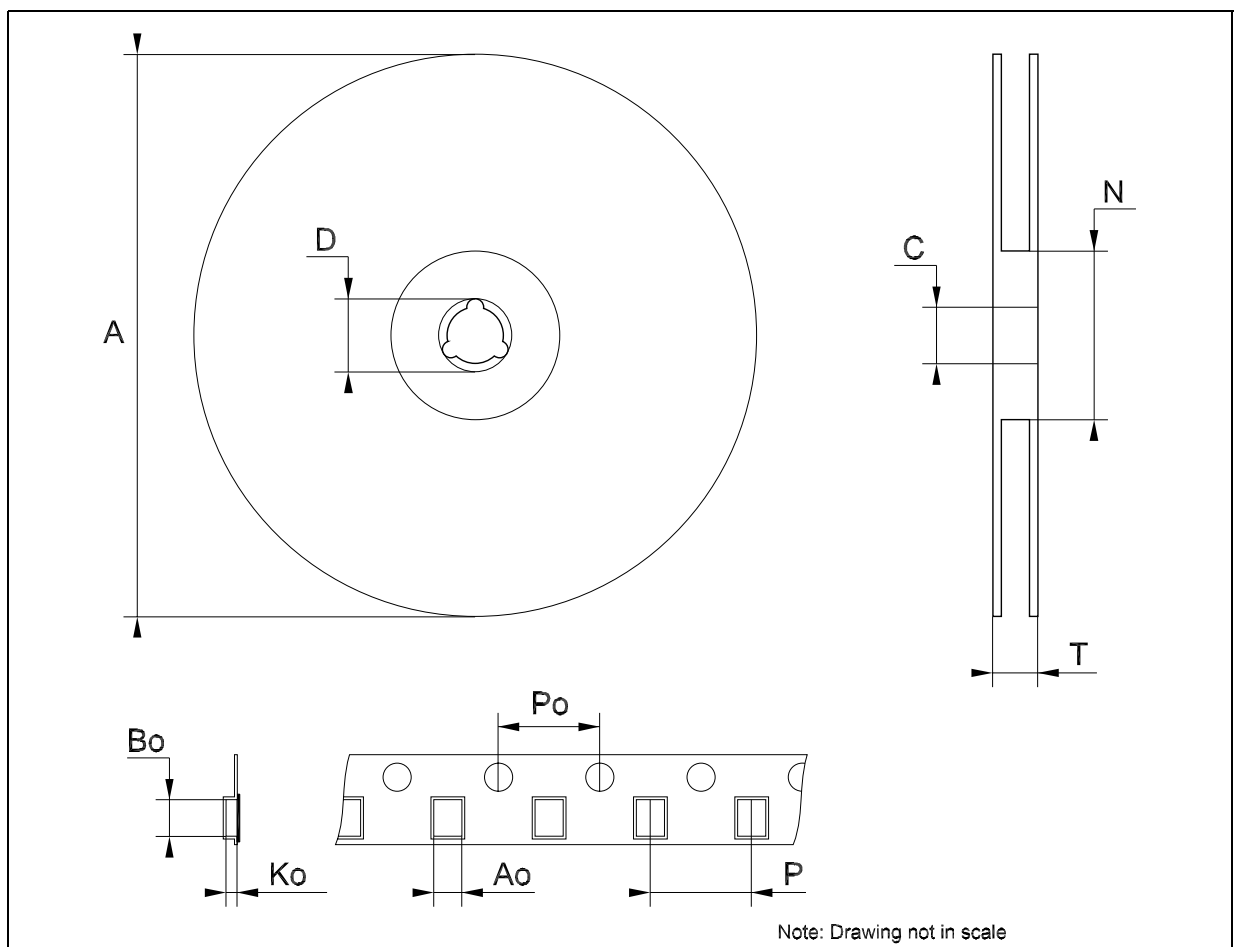
DIM.	mm.			inch		
	MIN.	TYP	MAX.	MIN.	TYP.	MAX.
A	2.2		2.4	0.086		0.094
A1	0.9		1.1	0.035		0.043
A2	0.03		0.23	0.001		0.009
B	0.4		0.6	0.015		0.023
B2	5.2		5.4	0.204		0.212
C	0.45		0.6	0.017		0.023
C2	0.48		0.6	0.019		0.023
D	6		6.2	0.236		0.244
D1		5.1			0.201	
E	6.4		6.6	0.252		0.260
E1		4.7			0.185	
e		1.27			0.050	
G	4.9		5.25	0.193		0.206
G1	2.38		2.7	0.093		0.106
H	9.35		10.1	0.368		0.397
L2		0.8	1		0.031	0.039
L4	0.6		1	0.023		0.039
L5	1			0.039		
L6		2.8			0.110	



0078180-E

## Tape &amp; Reel DPAK-PPAK MECHANICAL DATA

DIM.	mm.			inch		
	MIN.	TYP	MAX.	MIN.	TYP.	MAX.
A			330			12.992
C	12.8	13.0	13.2	0.504	0.512	0.519
D	20.2			0.795		
N	60			2.362		
T			22.4			0.882
Ao	6.80	6.90	7.00	0.268	0.272	0.276
Bo	10.40	10.50	10.60	0.409	0.413	0.417
Ko	2.55	2.65	2.75	0.100	0.104	0.105
Po	3.9	4.0	4.1	0.153	0.157	0.161
P	7.9	8.0	8.1	0.311	0.315	0.319



**Table 11: Revision History**

<b>Date</b>	<b>Revision</b>	<b>Description of Changes</b>
17-Jun-2004	5	Add figures 20 and 21, PPAK, TO-220 and TO-220FP mechanical data updated.
19-Jul-2004	6	Remove Package TO-220FP4.
08-Nov-2004	7	Mistake Figure 7.



Information furnished is believed to be accurate and reliable. However, STMicroelectronics assumes no responsibility for the consequences of use of such information nor for any infringement of patents or other rights of third parties which may result from its use. No license is granted by implication or otherwise under any patent or patent rights of STMicroelectronics. Specifications mentioned in this publication are subject to change without notice. This publication supersedes and replaces all information previously supplied. STMicroelectronics products are not authorized for use as critical components in life support devices or systems without express written approval of STMicroelectronics.

The ST logo is a registered trademark of STMicroelectronics

All other names are the property of their respective owners

© 2004 STMicroelectronics - All Rights Reserved

STMicroelectronics group of companies

Australia - Belgium - Brazil - Canada - China - Czech Republic - Finland - France - Germany - Hong Kong - India - Israel - Italy - Japan - Malaysia - Malta - Morocco - Singapore - Spain - Sweden - Switzerland - United Kingdom - United States of America

[www.st.com](http://www.st.com)