



Low-Cost, SOT23, Micropower, High-Side Current-Sense Amplifier with Voltage Output

General Description

The MAX4372 low-cost, precision, high-side current-sense amplifier is available in a tiny, space-saving SOT23-5 package. Offered in three gain versions (T = +20V/V, F = +50V/V, and H = +100V/V), this device operates from a single +2.7V to +28V supply and consumes only 30 μ A. It features a voltage output that eliminates the need for gain-setting resistors and is ideal for today's notebook computers, cell phones, and other systems where battery/DC current monitoring is critical.

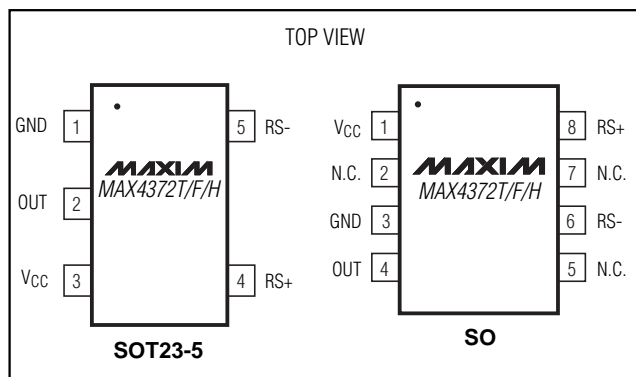
High-side current monitoring is especially useful in battery-powered systems since it does not interfere with the ground path of the battery charger. The input common-mode range of 0 to +28V is independent of the supply voltage and ensures that the current-sense feedback remains viable even when connected to a 2-cell battery pack in deep discharge.

The user can set the full-scale current reading by choosing the device (T, F, or H) with the desired voltage gain and selecting the appropriate external sense resistor. This capability offers a high level of integration and flexibility, resulting in a simple and compact current-sense solution. For higher bandwidth applications, refer to the MAX4173T/F/H data sheet.

Applications

Power-Management Systems
 General-System/Board-Level Current Monitoring
 Notebook Computers
 Portable/Battery-Powered Systems
 Smart-Battery Packs/Chargers
 Cell Phones
 Precision-Current Sources

Pin Configurations



Features

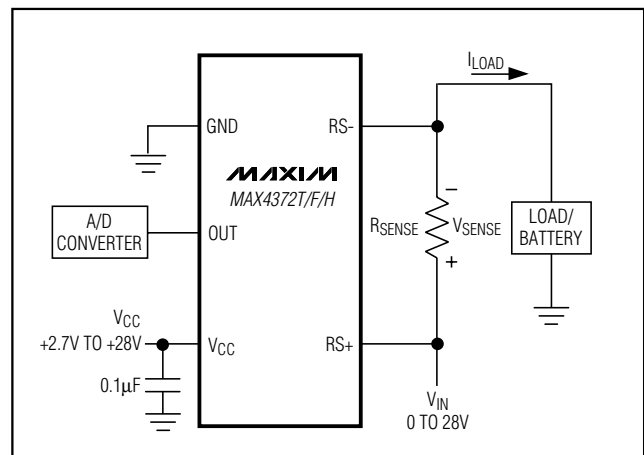
- ◆ Low-Cost, Compact Current-Sense Solution
- ◆ 30 μ A Supply Current
- ◆ +2.7V to +28V Operating Supply
- ◆ 0.18% Full-Scale Accuracy
- ◆ Low 1.5 Ω Output Impedance
- ◆ Three Gain Versions Available
 - +20V/V (MAX4372T)
 - +50V/V (MAX4372F)
 - +100V/V (MAX4372H)
- ◆ Wide 0 to +28V Common-Mode Range, Independent of Supply Voltage
- ◆ Available in Space-Saving SOT23-5 Package

Ordering Information

| PART | TEMP. RANGE | PIN-PACKAGE | TOP MARK |
|---------------|----------------|-------------|----------|
| MAX4372TEUK-T | -40°C to +85°C | 5 SOT23-5 | ADIU |
| MAX4372TESA | -40°C to +85°C | 8 SO | — |
| MAX4372FEUK-T | -40°C to +85°C | 5 SOT23-5 | ADIV |
| MAX4372FESA | -40°C to +85°C | 8 SO | — |
| MAX4372HEUK-T | -40°C to +85°C | 5 SOT23-5 | ADIW |
| MAX4372HESA | -40°C to +85°C | 8 SO | — |

Note: Gain values are as follows: +20V/V for the T version, +50V/V for the F version, and +100V/V for the H version.

Typical Operating Circuit



Low-Cost, SOT23, Micropower, High-Side Current-Sense Amplifier with Voltage Output

ABSOLUTE MAXIMUM RATINGS

V_{CC}, RS+, RS- to GND-0.3V to +30V
 OUT to GND-0.3V to +15V
 Differential Input Voltage (V_{RS+} - V_{RS-})±0.3V
 Current into Any Pin±10mA

Continuous Power Dissipation (T_A = +70°C)
 5-Pin SOT23 (derate 7.1mW/°C above +70°C).....571mW
 8-Pin SO (derate 5.88mW/°C above +70°C).....471mW
 Operating Temperature Range-40°C to +85°C
 Storage Temperature Range-65°C to +150°C
 Lead Temperature (soldering, 10sec).+300°C

Stresses beyond those listed under "Absolute Maximum Ratings" may cause permanent damage to the device. These are stress ratings only, and functional operation of the device at these or any other conditions beyond those indicated in the operational sections of the specifications is not implied. Exposure to absolute maximum rating conditions for extended periods may affect device reliability.

ELECTRICAL CHARACTERISTICS

(V_{RS+} = 0 to +28V, V_{CC} = +2.7V to +28V, V_{SENSE} = 0, R_{LOAD} = 1MΩ, T_A = T_{MIN} to T_{MAX}, unless otherwise noted. Typical values are at T_A = +25°C.) (Note 1)

| PARAMETER | SYMBOL | CONDITIONS | MIN | TYP | MAX | UNITS |
|-----------------------------------|-------------------------------------|--|--------------------------|-------|------|-------|
| Operating Voltage Range (Note 2) | V _{CC} | | 2.7 | | 28 | V |
| Common-Mode Input Range (Note 3) | V _{CMR} | | 0 | | 28 | V |
| Common-Mode Rejection | CMR | V _{RS+} > 2V | | 85 | | dB |
| Supply Current | I _{CC} | V _{RS+} > 2V, V _{SENSE} = 5mV | | 30 | 60 | μA |
| Leakage Current | I _{RS+} , I _{RS-} | V _{CC} = 0 | | 0.05 | 1.2 | μA |
| Input Bias Current | I _{RS+} | V _{RS+} > 2V | 0 | | 1 | μA |
| | | V _{RS+} ≤ 2V | -25 | | 2 | |
| | I _{RS-} | V _{RS+} > 2V | 0 | | 2 | |
| | | V _{RS+} ≤ 2V | -50 | | 2 | |
| Full-Scale Sense Voltage (Note 4) | V _{SENSE} | Gain = +20V/V or +50V/V | | 150 | | mV |
| | | Gain = +100V/V | | 100 | | |
| Full-Scale Accuracy (Note 5) | | V _{SENSE} = 100mV, V _{CC} = 12V, V _{RS+} = 12V, T _A = +25°C (Note 6) | | ±0.18 | ±3 | % |
| Total OUT Voltage Error (Note 5) | | V _{SENSE} = 100mV, V _{CC} = 12V, V _{RS+} = 12V (Note 6) | | | ±6 | % |
| | | V _{SENSE} = 100mV, V _{CC} = 28V, V _{RS+} = 28V (Note 6) | | ±0.15 | ±7 | |
| | | V _{SENSE} = 100mV, V _{CC} = 12V, V _{RS+} = 0.1V (Note 6) | | ±1 | ±28 | |
| | | V _{SENSE} = 6.25mV, V _{CC} = 12V, V _{RS+} = 12V (Note 7) | | ±0.15 | | |
| OUT Low Voltage | | V _{CC} = 2.7V | I _{OUT} = 10μA | 2.6 | | mV |
| | | | I _{OUT} = 100μA | 9 | 65 | |
| OUT High Voltage | V _{CC} - V _{OH} | V _{CC} = 2.7V, I _{OUT} = -500μA | | 0.1 | 0.25 | V |

Low-Cost, SOT23, Micropower, High-Side Current-Sense Amplifier with Voltage Output

MAX4372T/F/H

ELECTRICAL CHARACTERISTICS (continued)

($V_{RS+} = 0$ to $+28V$, $V_{CC} = +2.7V$ to $+28V$, $V_{SENSE} = 0$, $R_{LOAD} = 1M\Omega$, $T_A = T_{MIN}$ to T_{MAX} , unless otherwise noted. Typical values are at $T_A = +25^\circ C$.) (Note 1)

| PARAMETER | SYMBOL | CONDITIONS | | MIN | TYP | MAX | UNITS |
|--|-----------|---|---|-----|------------|-----------|----------|
| -3dB Bandwidth | BW | $V_{RS+} = 12V$, $V_{CC} = 12V$, $C_{LOAD} = 10pF$ | $V_{SENSE} = 100mV$, gain = $+20V/V$ | | 275 | | kHz |
| | | | $V_{SENSE} = 100mV$, gain = $+50V/V$ | | 200 | | |
| | | | $V_{SENSE} = 100mV$, gain = $+100V/V$ | | 110 | | |
| | | | $V_{SENSE} = 6.25mV$ | | 50 | | |
| Gain | | MAX4372T | | | 20 | | V/V |
| | | MAX4372F | | | 50 | | |
| | | MAX4372H | | | 100 | | |
| Gain Accuracy | | $V_{SENSE} = 20mV$ to $100mV$ | $T_A = +25^\circ C$ | | ± 0.25 | ± 2.5 | % |
| | | | $T_A = -40^\circ C$ to $+85^\circ C$ | | | ± 5.5 | |
| OUT Settling Time to 1% of Final Value | | Gain = $+20V/V$, $V_{CC} = 12V$, $V_{RS+} = 12V$, $C_{LOAD} = 10pF$ | $V_{SENSE} = 6.25mV$ to $100mV$ | | 20 | | μs |
| | | | $V_{SENSE} = 100mV$ to $6.25mV$ | | 20 | | |
| Capacitive Load Stability | | No sustained oscillations | | | 1000 | | pF |
| OUT Output Resistance | R_{OUT} | $V_{SENSE} = 100mV$ | | | 1.5 | | Ω |
| Power-Supply Rejection | PSR | $V_{OUT} = 2V$, $V_{RS+} > 2V$ | | 75 | 85 | | dB |
| Power-Up Time to 1% of Final Value | | $V_{CC} = 12V$, $V_{RS+} = 12V$, $V_{SENSE} = 100mV$, $C_{LOAD} = 10pF$ | | | 0.5 | | ms |
| Saturation Recovery Time (Note 8) | | $V_{CC} = 12V$, $V_{RS+} = 12V$, $C_{LOAD} = 10pF$ | | | 0.1 | | ms |

Note 1: All devices are 100% production tested at $T_A = +25^\circ C$. All temperature limits are guaranteed by design.

Note 2: Guaranteed by PSR test.

Note 3: Guaranteed by OUT Voltage Error test.

Note 4: Output voltage is internally clamped not to exceed 12V.

Note 5: Total OUT voltage error is the sum of gain and offset voltage errors.

Note 6: Measured at $I_{OUT} = -500\mu A$ ($R_{LOAD} = 4k\Omega$ for gain = $+20V/V$, $R_{LOAD} = 10k\Omega$ for gain = $+50V/V$, $R_{LOAD} = 20k\Omega$ for gain = $+100V/V$).

Note 7: $+6.25mV = 1/16$ of $+100mV$ full-scale voltage (C/16).

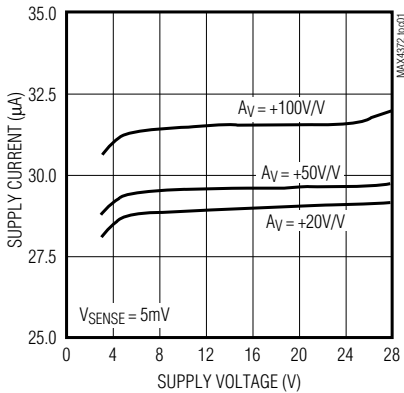
Note 8: The device will not reverse phase when overdriven.

Low-Cost, SOT23, Micropower, High-Side Current-Sense Amplifier with Voltage Output

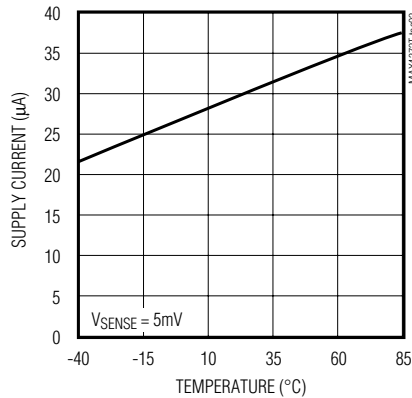
Typical Operating Characteristics

($V_{CC} = +12V$, $V_{RS+} = 12V$, $V_{SENSE} = 100mV$, $T_A = +25^\circ C$, unless otherwise noted.)

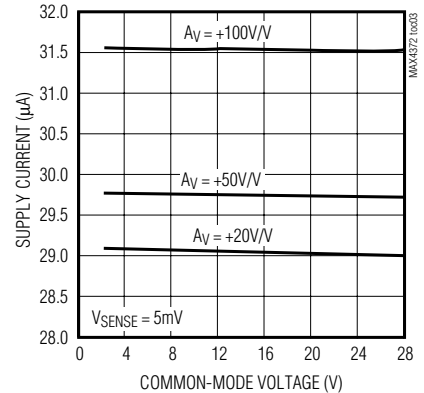
SUPPLY CURRENT vs. SUPPLY VOLTAGE



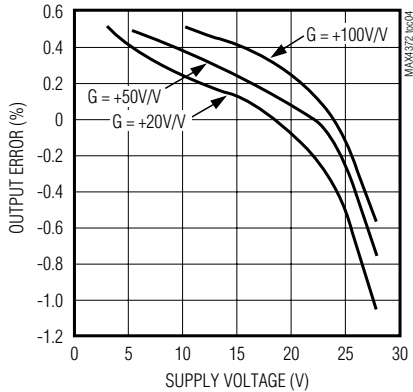
SUPPLY CURRENT vs. TEMPERATURE



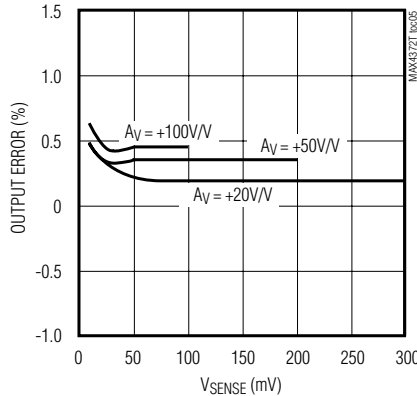
SUPPLY CURRENT vs. COMMON-MODE VOLTAGE



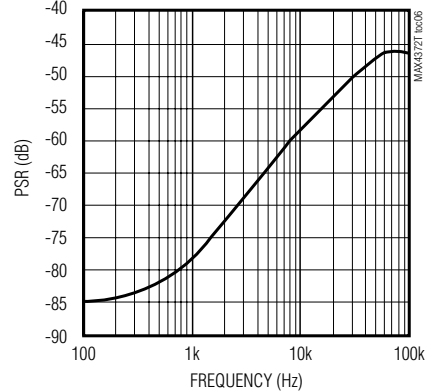
TOTAL OUTPUT ERROR vs. SUPPLY VOLTAGE



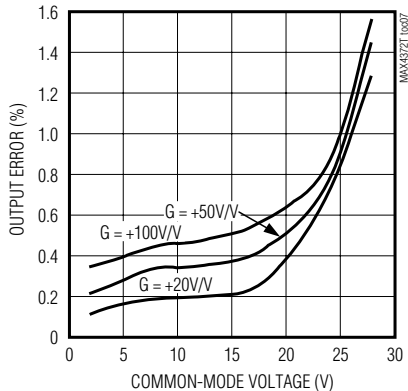
TOTAL OUTPUT ERROR vs. VSENSE



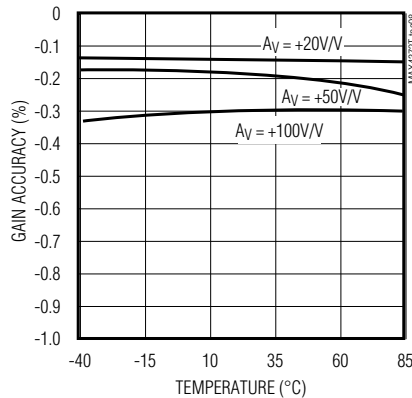
POWER-SUPPLY REJECTION vs. FREQUENCY



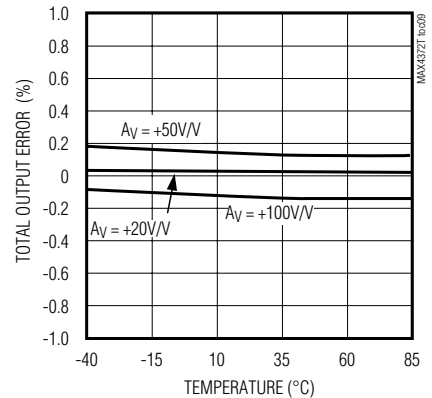
TOTAL OUTPUT ERROR vs. COMMON-MODE VOLTAGE



GAIN ACCURACY vs. TEMPERATURE



TOTAL OUTPUT ERROR vs. TEMPERATURE



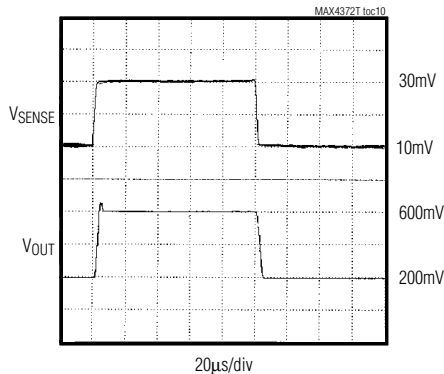
Low-Cost, SOT23, Micropower, High-Side Current-Sense Amplifier with Voltage Output

Typical Operating Characteristics (continued)

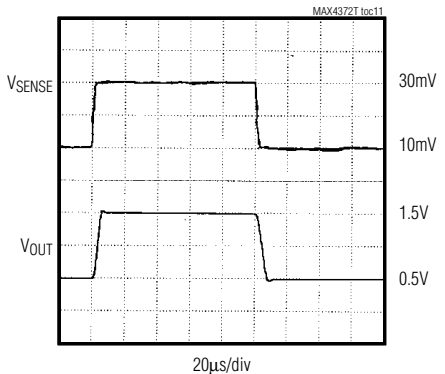
($V_{CC} = +12V$, $V_{RS+} = 12V$, $V_{SENSE} = 100mV$, $T_A = +25^{\circ}C$, unless otherwise noted.)

MAX4372T/F/H

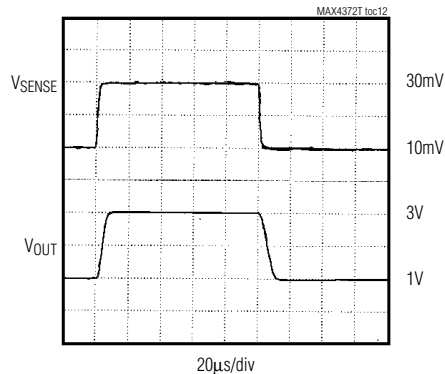
MAX4372T
SMALL-SIGNAL TRANSIENT RESPONSE



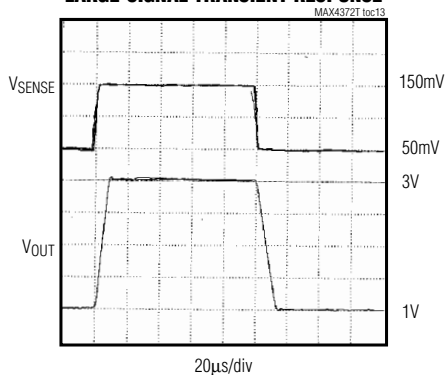
MAX4372F
SMALL-SIGNAL TRANSIENT RESPONSE



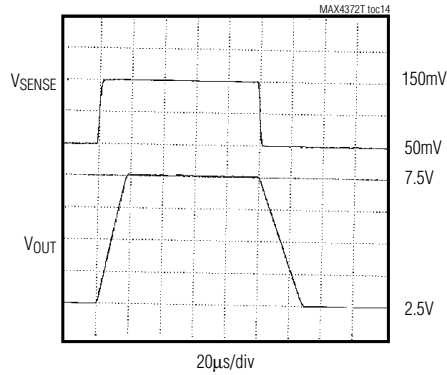
MAX4372H
SMALL-SIGNAL TRANSIENT RESPONSE



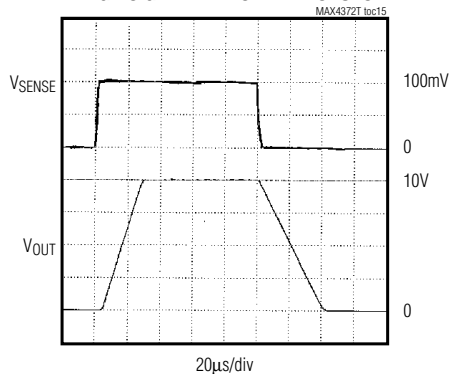
MAX4372T
LARGE-SIGNAL TRANSIENT RESPONSE



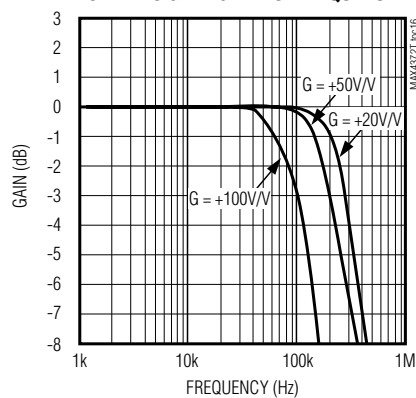
MAX4372F
LARGE-SIGNAL TRANSIENT RESPONSE



MAX4372H
LARGE-SIGNAL TRANSIENT RESPONSE



SMALL-SIGNAL GAIN vs. FREQUENCY



Low-Cost, SOT23, Micropower, High-Side Current-Sense Amplifier with Voltage Output

Pin Description

| PIN | | NAME | FUNCTION |
|---------|---------|------|--|
| SOT23-5 | SO | | |
| 1 | 3 | GND | Ground |
| 2 | 4 | OUT | Output Voltage. V_{OUT} is proportional to the magnitude of V_{SENSE} ($V_{RS+} - V_{RS-}$). |
| 3 | 1 | VCC | Supply Voltage |
| 4 | 8 | RS+ | Power Connection to the External Sense Resistor |
| 5 | 6 | RS- | Load-Side Connection to the External Sense Resistor |
| — | 2, 5, 7 | N.C. | No Connection. Not internally connected. |

Detailed Description

The MAX4372 high-side current-sense amplifier features a 0 to +28V input common-mode range that is independent of supply voltage. This feature allows the monitoring of current flow out of a battery in deep discharge, and also enables high-side current sensing at voltages far in excess of the supply voltage (V_{CC}).

Current flows through the sense resistor, generating a sense voltage (Figure 1). Since A1's inverting input is high impedance, the voltage on the negative terminal equals $V_{IN} - V_{SENSE}$. A1 forces its positive terminal to match its negative terminal; therefore, the voltage across R_{G1} ($V_{IN} - V_{1-}$) equals V_{SENSE} . This creates a current to flow through R_{G1} equal to V_{SENSE} / R_{G1} . The transistor and current mirror amplify the current by a factor of β . This makes the current flowing out of the current mirror equal to:

$$I_M = \beta V_{SENSE} / R_{G1}$$

A2's positive terminal presents high impedance, so this current flows through R_{GD} , with the following result:

$$V_{2+} = R_{GD} \beta \cdot V_{SENSE} / R_{G1}$$

R1 and R2 set the closed-loop gain for A2, which amplifies V_{2+} , yielding:

$$V_{OUT} = R_{GD} \cdot \beta \cdot V_{SENSE} / R_{G1} (1 + R_2 / R_1)$$

The gain of the device equals:

$$\frac{V_{OUT}}{V_{SENSE}} = R_{GD} \cdot \beta (1 + R_2 / R_1) / R_{G1}$$

Applications Information

Recommended Component Values

The MAX4372 operates over a wide variety of current ranges with different sense resistors. Table 1 lists common resistor values for typical operation of the MAX4372.

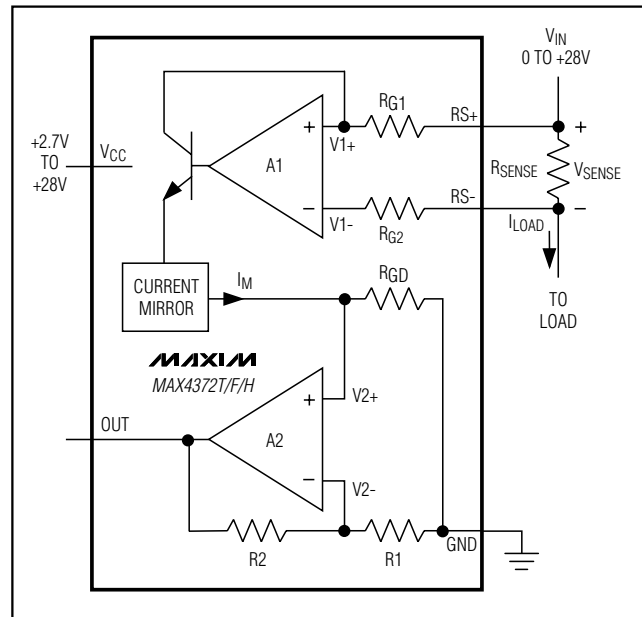


Figure 1. Functional Diagram

Choosing RSENSE

Given the gain and maximum load current, select R_{SENSE} such that $V_{CC} - V_{OUT}$ does not exceed +0.25V and V_{OUT} does not exceed +10V. To measure lower currents more accurately, use a high value for R_{SENSE} . A higher value develops a higher sense voltage, which overcomes offset voltage errors of the internal current amplifier.

In applications monitoring very high current, ensure R_{SENSE} is able to dissipate its own I^2R losses. If the resistor's rated power dissipation is exceeded, its value may drift or it may fail altogether, causing a differential voltage across the terminals in excess of the absolute maximum ratings.

Low-Cost, SOT23, Micropower, High-Side Current-Sense Amplifier with Voltage Output

MAX4372T/F/H

Table 1. Recommended Component Values

| FULL-SCALE LOAD CURRENT, I_{LOAD} (A) | CURRENT-SENSE RESISTOR, R_{SENSE} (m Ω) | GAIN (V/V) | FULL-SCALE OUTPUT VOLTAGE (FULL-SCALE $V_{SENSE} = 100\text{mV}$), V_{OUT} (V) |
|---|---|------------|---|
| 0.1 | 1000 | 20 | 2.0 |
| | | 50 | 5.0 |
| | | 100 | 10.0 |
| 1 | 100 | 20 | 2.0 |
| | | 50 | 5.0 |
| | | 100 | 10.0 |
| 5 | 20 | 20 | 2.0 |
| | | 50 | 5.0 |
| | | 100 | 10.0 |
| 10 | 10 | 20 | 2.0 |
| | | 50 | 5.0 |
| | | 100 | 10.0 |

Using a PC Board Trace as R_{SENSE}

If the cost of R_{SENSE} is an issue and accuracy is not critical, use the alternative solution shown in Figure 2. This solution uses copper PC board traces to create a sense resistor. The resistivity of a 0.1-inch-wide trace of 2-ounce copper is about 30m Ω /ft. The resistance temperature coefficient of copper is fairly high (approximately 0.4%/°C), so systems that experience a wide temperature variance must compensate for this effect. In addition, self-heating will introduce a nonlinearity error. Do not exceed the maximum power dissipation of the copper trace.

For example, the MAX4372T (with a maximum load current of 10A and an R_{SENSE} of 5m Ω) creates a full-scale V_{SENSE} of 50mV that yields a maximum V_{OUT} of 1V. R_{SENSE} , in this case, requires about 2 inches of 0.1-inch-wide copper trace.

Chip Information

TRANSISTOR COUNT: 225

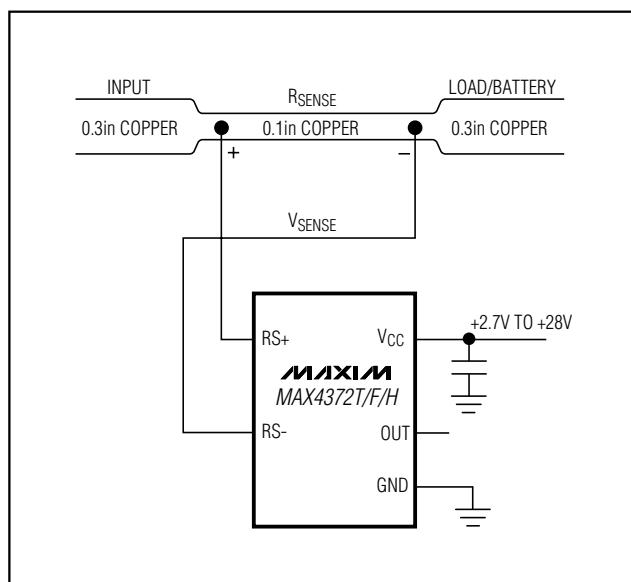
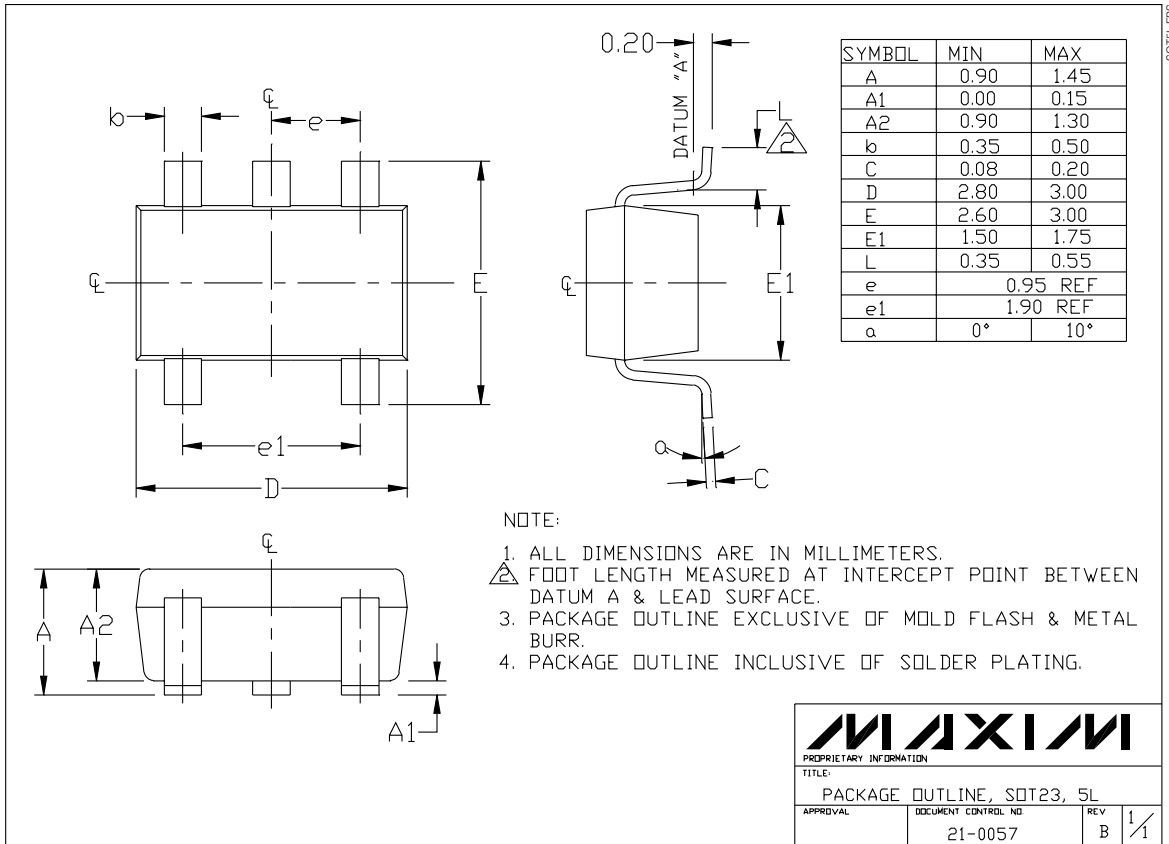


Figure 2. Connections Showing Use of PC Board

Low-Cost, SOT23, Micropower, High-Side Current-Sense Amplifier with Voltage Output

Package Information



SOT23LEFS

MAXIM
 PROPRIETARY INFORMATION
 TITLE: PACKAGE OUTLINE, SOT23, 5L
 APPROVAL: _____ DOCUMENT CONTROL NO: 21-0057 REV B 1/1

Maxim cannot assume responsibility for use of any circuitry other than circuitry entirely embodied in a Maxim product. No circuit patent licenses are implied. Maxim reserves the right to change the circuitry and specifications without notice at any time.

8 Maxim Integrated Products, 120 San Gabriel Drive, Sunnyvale, CA 94086 408-737-7600