

### AUDIO DACs AND CODECS FOR BATTERY-POWERED APPLICATIONS

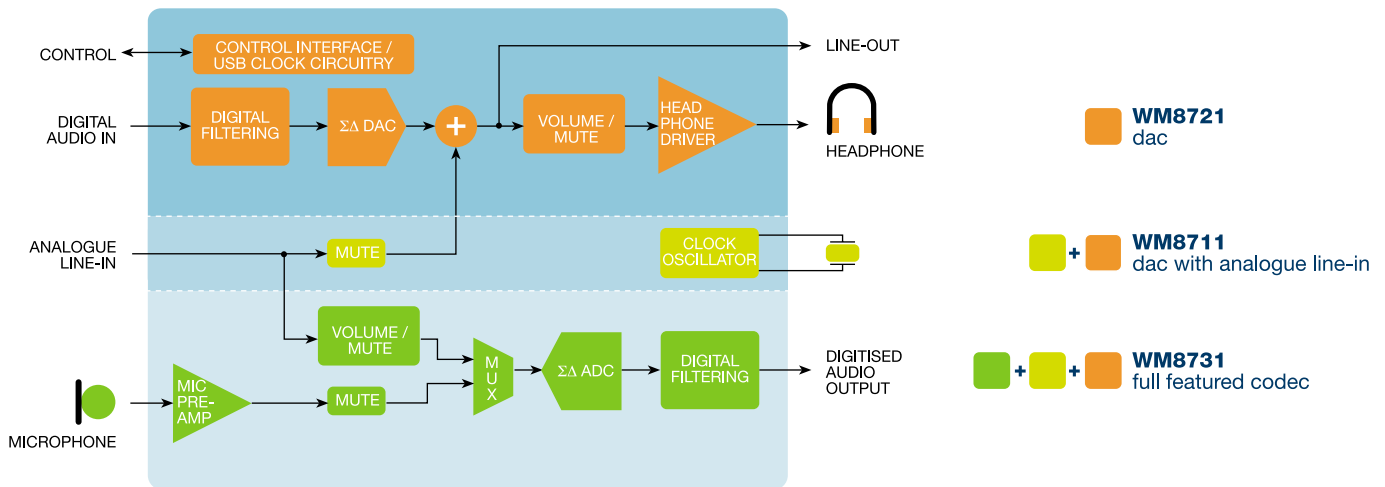
Wolfson's new family of audio ICs for portable applications offers highly integrated, DSP independent solutions that deliver CD quality sound at very low power consumption. The family includes a full audio codec, WM8731, and two DACs, WM8711 and WM8721. All three devices incorporate a powerful headphone amplifier whose output volume can be digitally controlled. Each IC is available as a standard or low voltage part, operating at supply voltages down to 1.42V (digital) and 1.8V (analogue).

Using a unique USB clocking scheme, these ICs can generate 44.1kHz, 48kHz, 96kHz and other commonly used sample rates directly from a 12 or 24MHz clock, eliminating the need for a PLL in applications such as MP3 players. The WM8711 and WM8731 are pin-compatible and feature an on-chip clock oscillator to supply the system clock.

Wolfson's portable audio ICs have a very flexible audio interface which can interface to any industry standard DSP or other digital audio chip, thereby providing designers with a higher degree of flexibility.

### product benefits

-  long battery life
-  cd sound quality
-  powerful headphone amplifier
-  highly integrated solution
-  dsp independent



device	WM8721	WM8721L	WM8711	WM8711L	WM8731	WM8731L
device type	dac	dac (low voltage)	dac	dac (low voltage)	codec	codec (low voltage)
digital supply voltage	1.42V – 3.6V	1.42V – 3.6V	1.42V – 3.6V	1.42V – 3.6V	1.42V – 3.6V	1.42V – 3.6V
analogue supply voltage	2.7V – 3.6V	1.8V – 3.6V	2.7V – 3.6V	1.8V – 3.6V	2.7V – 3.6V	1.8V – 3.6V
analogue line-in	no	no	yes	yes	yes	yes
microphone input	no	no	no	no	yes	yes
on-chip clock generator	no	no	yes	yes	yes	yes
package	20-pin SSOP	20-pin SSOP	28-pin SSOP	28-pin SSOP	28-pin SSOP	28-pin SSOP



### product features

- > cd quality audio performance
  - » dac 100dB snr, 88dB thd ('A' weighted @ 48kHz)
  - » adc 97dB snr, 85dB thd (WM8731 only)
- > independent stereo line and headphone outputs
  - » headphone output power: 40mW on 16Ω load
  - » volume and mute controls
- > low supply voltage
  - » 1.42 – 3.6V digital supply
  - » 1.8 – 3.6V analogue supply for low-voltage parts
  - » 2.7 – 3.6V analogue supply for standard parts
- > very low power
  - » playback only: 9mW @ 1.8V, 18mW @ 3.3V
  - » simultaneous playback & record: 18mW @ 1.8V, 36mW @ 3.3V
  - » standby: 30μW
- > programmable sample rates :: 8, 32, 44.1, 48, 88.2, 96kHz
- > on-chip clock generator (WM8711 and WM8731 only)
- > programmable audio data interface
  - » i<sup>2</sup>s, left/right justified or dsp modes
  - » 16/20/24/32-bit word lengths
  - » master or slave clocking mode
- > 2 or 3-wire serial control interface
- > temperature range :: -10°C to +70°C



### ordering information

part number	voltage supply	standard pack quantity	package
WM8711EDS	standard	47	SSOP-28
WM8711LEDS	low	47	SSOP-28
WM8721EDS	standard	66	SSOP-20
WM8721LEDS	low	66	SSOP-20
WM8731EDS	standard	47	SSOP-28
WM8731LEDS	low	47	SSOP-28

### product applications

- > mp3 players and recorders
- > mobile information devices
- > palmtops
- > web browsers
- > mobile phones with mp3
- > digital camcorders and cameras
- > usb headsets
- >> all battery powered systems incorporating digital audio

### wolfson microelectronics :: direct sales offices

#### WORLD Headquarters

Wolfson Microelectronics Ltd  
 Bernard Terrace  
 Edinburgh  
 EH8 9NX UK

Tel: +44 131 667 9386  
 Fax: +44 131 667 5176

#### USA Sales Office

Wolfson Microelectronics Ltd  
 111 North Market Street  
 Suite 670 San Jose  
 CA 95113 USA

Tel: +1 408 279 2882  
 Fax: +1 250 746 4186

#### ASIA PACIFIC Sales Office

Wolfson Microelectronics Ltd  
 9F-1 No 6 Lane 180  
 Min-Chiuan East Road  
 Sec 6 Taipei Taiwan RoC

Tel: +886 2 2792 5775  
 Fax: +886 2 8791 8590