

# Password Access Security Supervisor

4K

X76F041

4 x 128 x 8 Bit

## PASS™ SecureFlash

### FEATURES

- **64-Bit Password Security**
- **Three Password Modes**
  - Secure Read Access
  - Secure Write Access
  - Secure Configuration Access
- **Programmable Configuration**
  - Read, Write and Configuration Access Passwords
  - Multiple Array Access/Functionality
  - Retry Register/Counter
- **8 Byte Sector Write**
- **(4) 1K Memory Arrays**
- **ISO Response to Reset**
- **Low Power CMOS**
  - 50µA Standby Current
  - 3mA Active Current
- **1.8V to 3.6V or 5V “Univolt” Read and Program Power Supply Versions**
- **High Reliability**
  - Endurance: 100,000 Cycles
  - Data Retention: 100 Years
  - ESD Protection: 2000V on All Pins

### DESCRIPTION

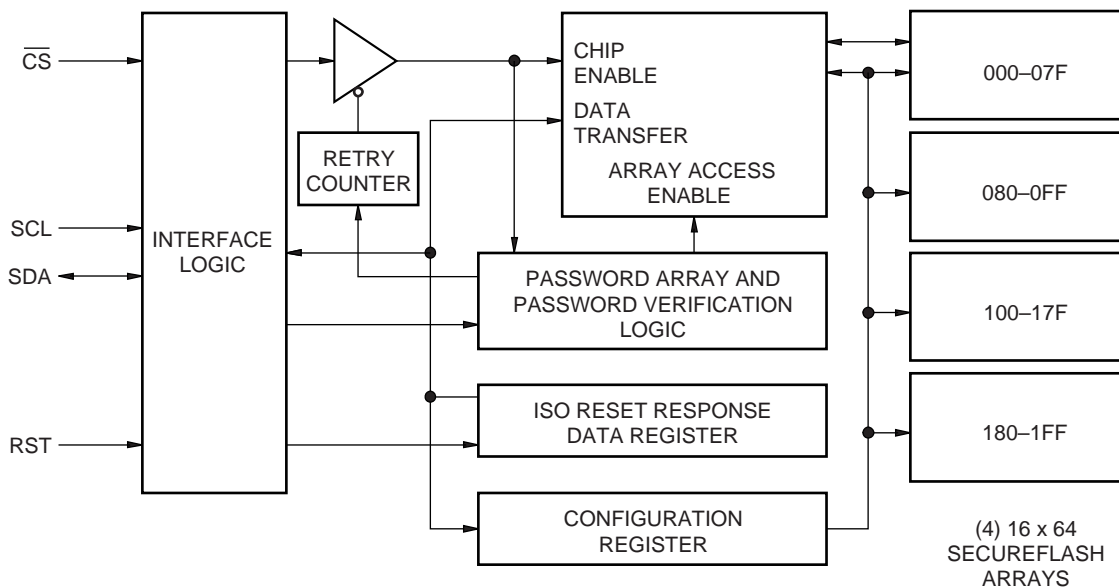
The X76F041 is a password access security supervisor device, containing four 128 x 8 bit SecureFlash arrays. Access can be controlled by three 64-bit programmable passwords, one for read operations, one for write operations and one for device configuration.

The X76F041 features a serial interface and software protocol allowing operation on a simple two wire bus. The bus signals are a clock input (SCL) and a bidirectional data input and output (SDA). Access to the device is controlled through a chip select input (CS), allowing any number of devices to share the same bus.

The X76F041 also features a synchronous response to reset; providing an automatic output of a pre-configured 32-bit data stream conforming to the ISO standard for memory cards.

The X76F041 utilizes Xicor’s proprietary Direct Write™ cell, providing a minimum endurance of 100,000 cycles per sector and a minimum data retention of 100 years.

### FUNCTIONAL DIAGRAM



7002 ILL F01

# X76F041

## PIN DESCRIPTION

### Serial Data Input/Output (SDA)

SDA is a true three state serial data input/output pin. During a read cycle, data is shifted out on this pin. During a write cycle, data is shifted in on this pin. In all other cases this pin is in a high impedance state.

### Serial Clock (SCL)

The Serial Clock controls the serial bus timing for data input and output.

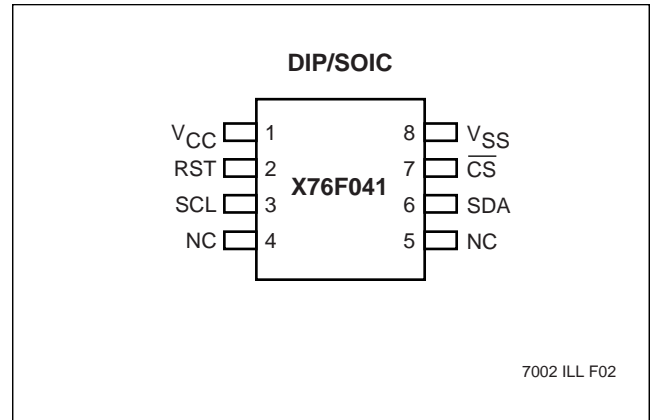
### Chip Select ( $\overline{CS}$ )

When  $\overline{CS}$  is HIGH, the X76F041 is deselected and the SDA pin is at high impedance and unless an internal write operation is underway the X76F041 will be in the standby power mode.  $\overline{CS}$  LOW enables the X76F041, placing it in the active power mode.

### Reset (RST)

RST is a device reset pin. When RST is pulsed HIGH while  $\overline{CS}$  is LOW the X76F041 will output 32 bits of fixed data which conforms to the ISO standard for "synchronous response to reset".  $\overline{CS}$  must remain LOW and the part must not be in a write cycle for the response to reset to occur. If at any time during the response to reset  $\overline{CS}$  goes HIGH, the response to reset will be aborted and the part will return to the standby mode.

## PIN CONFIGURATION



Symbol	Description
$\overline{CS}$	Chip Select Input
SDA	Serial Data Input/Output
RST	Reset Input
SCL	Serial Clock Input
V <sub>SS</sub>	Ground
V <sub>CC</sub>	Supply Voltage
NC	No Connect

7002 FRM T01

# X76F041

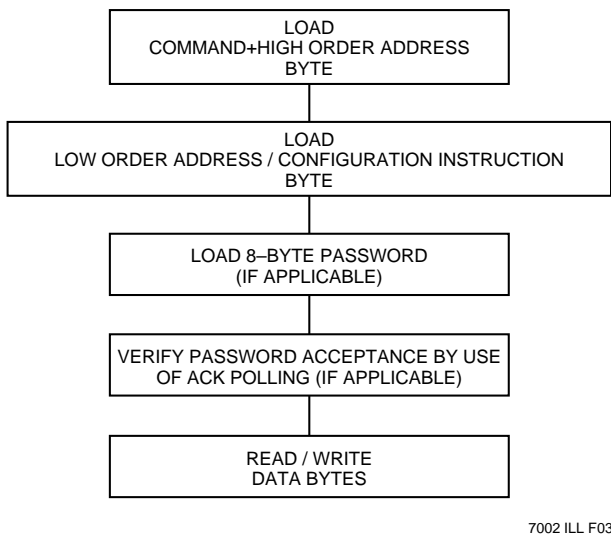
## DEVICE OPERATION

There are three primary modes of operation for the X76F041; READ, WRITE and CONFIGURATION. The READ and WRITE modes may be performed with or without an 8-byte password. The CONFIGURATION mode always requires an 8-byte password.

The basic method of communication is established by first enabling the device ( $\overline{CS}$  LOW), generating a start condition and then transmitting a command and address field followed by the correct password (if configured to require a password). All parts will be shipped from the factory in the non-password mode. The user must perform an ACK Polling routine to determine the validity of the password and start the data transfer (see Acknowledge Polling). Only after the correct password is accepted and an ACK Polling has been performed can the data transfer occur.

To ensure correct communication, RST must remain LOW under all conditions except when initiating a "Response to Reset sequence".

**Figure 1. X76F041 Device Operation**



Data is transferred in 8-bit segments, with each transfer being followed by an ACK, generated by the receiving device.

If the X76F041 is in a nonvolatile write cycle a "no ACK" (SDA HIGH) response will be issued in response to loading of the command + high order address byte. If a stop condition is issued prior to the nonvolatile write cycle the write operation will be terminated and the part will reset and enter into a standby mode.

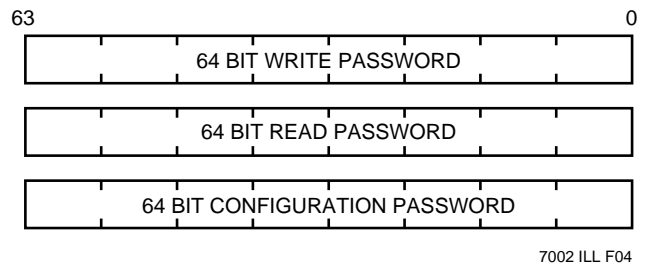
The basic sequence is illustrated in Figure 1.

After each transaction is completed, the X76F041 will reset and enter into a standby mode. This will also be the response if an attempt is made to access any limited array.

## Password Registers

The three passwords, Read, Write and Configuration are stored in three 64 bit Write Only registers as illustrated in figure 2.

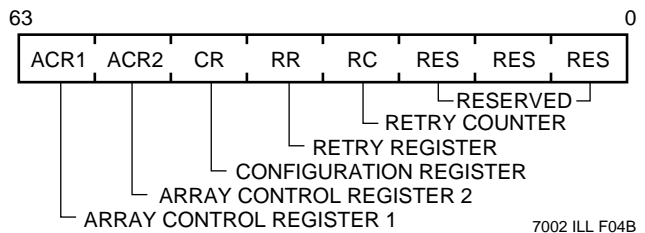
**Figure 2. Password Registers**



## Device Configuration

Five 8-Bit configuration registers are used to configure the X76F041. These are shown in figure 3.

**Figure 3. Configuration Registers**



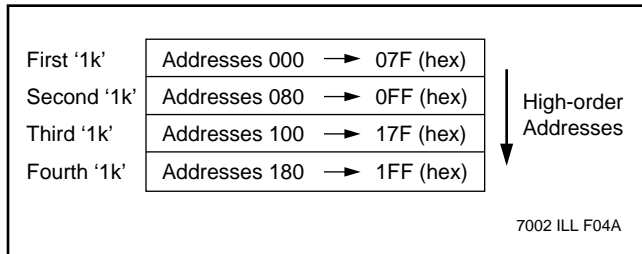
# X76F041

## Array Control

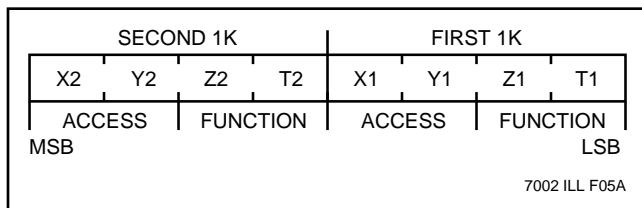
The four 1K arrays, are each programmable to different levels of access and functionality. Each array can be programmed to require or not require the read/write passwords. The functional options are:

- Read and Write Access.
- Read access with all write operations locked out.
- Read access and program only (writing a “1” to a “0”). If an attempt to change a “0” to a “1” occurs the X76F041 will reset, issue a “no ACK” and enter the standby power mode.
- No read or write access to the memory. Access only through use of the configuration password.

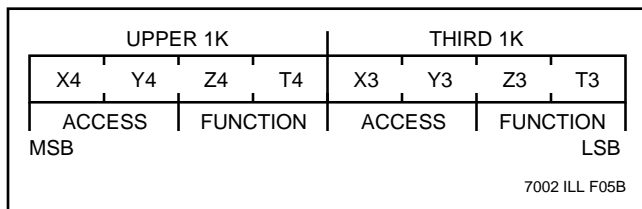
## Array Map



## 8 Bit Array Control Register 1



## 8 Bit Array Control Register 2



## Functional Bits

Z	T	FUNCTIONALITY
0	0	READ AND WRITE UNLIMITED
1	0	READ ONLY, WRITE LIMITED
0	1	PROGRAM & READ ONLY, ERASE LIMITED
1	1	NO READ OR WRITE, FULLY LIMITED

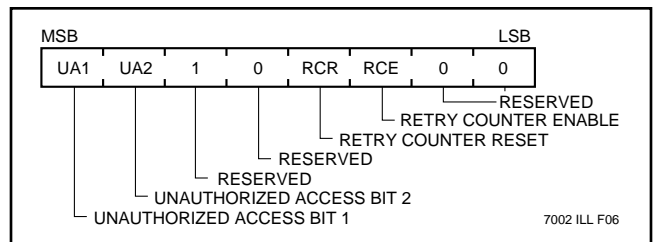
7002 FRM T02

## Access Bits

X	Y	READ PASSWORD	WRITE PASSWORD
0	0	NOT REQUIRED	NOT REQUIRED
1	0	NOT REQUIRED	REQUIRED
0	1	REQUIRED	NOT REQUIRED
1	1	REQUIRED	REQUIRED

7002 FRM T03

## 8-Bit Configuration Register



## Unauthorized Access Bits (UA1, UA2):

### 1 0

Access is forbidden if retry register equals the retry counter (provided that the retry counter is enabled) and no further access of any kind will be allowed.

### 0 1, 0 0, 1 1

Only configuration operations are allowed if the retry register equals the retry counter (provided that the retry counter is enabled).

## Retry Counter Reset Bit (RCR):

If the retry counter reset bit is a “1” then the retry counter will be reset following a correct password, provided the retry counter is enabled.

If the retry counter reset bit is a “0” then the retry counter will not be reset following a correct password, provided the retry counter is enabled.

## Retry Counter Enable Bit (RCE):

If the Retry counter enable bit is a “1”, then the retry counter is enabled. An initial comparison between the retry register and retry counter determines whether the number of allowed incorrect password attempts has been reached. If not, the protocol continues and in case of a wrong password, the retry counter is incremented by one. If the password is correct then the retry counter will either be reset or unchanged, depending on the reset bit.

# X76F041

The retry register must have a higher value than the retry counter for correct device operation. If the retry counter value is larger than the retry register and the retry counter is enabled, the device will wrap around allowing up to an additional 255 incorrect access attempts.

If the Retry counter enable bit is a "0", then the retry counter is disabled.

### Retry Register/Counter

Both the retry register and retry counter are accessible in the configuration mode and may be programmed with a value of 0 to 255.

The difference between the retry register and the retry counter is the number of access attempts allowed, therefore the retry counter must be programmed to a smaller value than the retry register to prevent wrap around.

### DEVICE PROTOCOL

The X76F041 supports a bidirectional bus oriented protocol. The protocol defines any device that sends data onto the bus as a transmitter, and the receiving device as the receiver. The device controlling the transfer is a master and the device being controlled is the slave. The master will always initiate data transfers, and provide the clock for both transmit and receive operations. Therefore, the X76F041 will be considered a slave in all applications.

### Start Condition

All commands except for response to reset are preceded by the start condition, which is a HIGH to LOW transition of SDA when SCL is HIGH. The X76F041 continuously monitors the SDA and SCL lines for the start condition and will not respond to any command until this condition has been met.

Figure 4. Data Validity During Write

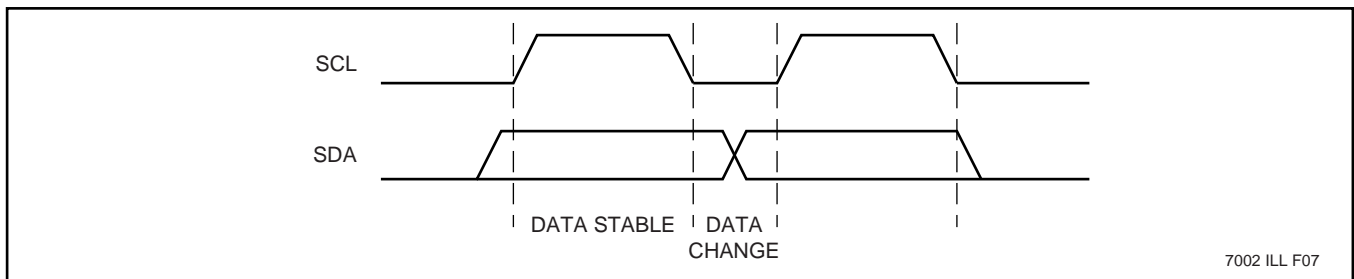
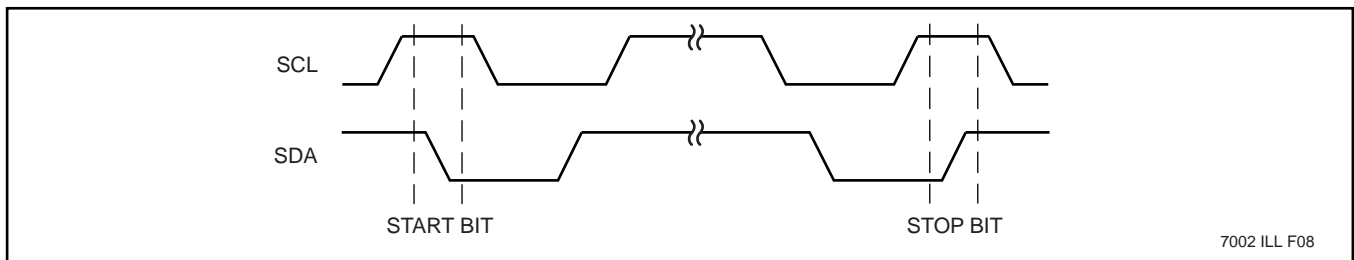


Figure 5. Definition of Start and Stop



**NOTE:** The part requires the SCL input to be LOW during non-active periods of operation. In other words, the SCL will need to be LOW prior to any START condition and LOW after a STOP condition. This is also reflected in the timing diagram.

# X76F041

---

## Stop Condition

All communications must be terminated by a stop condition, which is a LOW to HIGH transition of SDA when SCL is HIGH. A stop condition can only be issued after the transmitting device has released the bus.

## Acknowledge

Acknowledge is a software convention used to indicate successful data transfer. The transmitting device, either master or slave, will release the bus after transmitting eight bits. During the ninth clock cycle the receiver will pull the SDA line LOW to acknowledge that it received the eight bits of data.

## OPERATIONAL MODES

THE FIRST BYTE IN THE PROTOCOL	THE SECOND BYTE IN THE PROTOCOL	COMMAND DESCRIPTION	PASSWORD USED:
0 0 0XXXXA	Write address	Write (Sector)	Write
0 0 1XXXXA	Read address	Read (Random / Sequential)	Read
0 1 0XXXXA	Write address	Write (Sector)	Configuration
0 1 1XXXXA	Read address	Read (Random / Sequential)	Configuration
1 0 0XXXXX	0 0 0 0 0 0 0 0	Program write-password	Write
1 0 0XXXXX	0 0 0 1 0 0 0 0	Program read-password	Read
1 0 0XXXXX	0 0 1 0 0 0 0 0	Program configuration-password	Configuration
1 0 0XXXXX	0 0 1 1 0 0 0 0	Reset write password (all 0's)	Configuration
1 0 0XXXXX	0 1 0 0 0 0 0 0	Reset read password (all 0's)	Configuration
1 0 0XXXXX	0 1 0 1 0 0 0 0	Program configuration registers	Configuration
1 0 0XXXXX	0 1 1 0 0 0 0 0	Read configuration registers	Configuration
1 0 0XXXXX	0 1 1 1 0 0 0 0	Mass program	Configuration
1 0 0XXXXX	1 0 0 0 0 0 0 0	Mass erase	Configuration
All the rest		Reserved	

7002 FRM T04

# X76F041

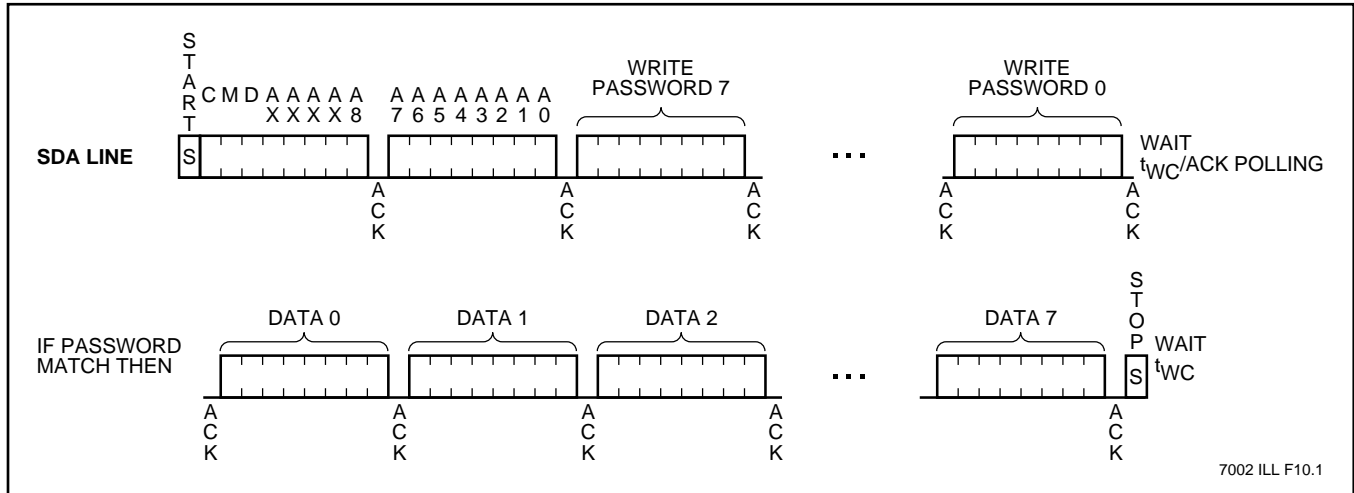
## WRITE OPERATION

### Sector Write

The Sector Write mode requires issuing the 3-bit write command followed by the address, password if required and then the data bytes transferred as illustrated in Figure 6. Eight bytes must be transferred. After the last byte to be transferred is acknowledged, a stop condition is issued, which starts the nonvolatile write cycle. If more than 8 bytes are transferred the data will wrap around and previous data will be overwritten. All data will be written to the same sector as defined by  $A_8-A_3$ .

Figure 6. Eight bytes must be transferred. After the last byte to be transferred is acknowledged, a stop condition is issued, which starts the nonvolatile write cycle. If more than 8 bytes are transferred the data will wrap around and previous data will be overwritten. All data will be written to the same sector as defined by  $A_8-A_3$ .

Figure 6. Sector Write

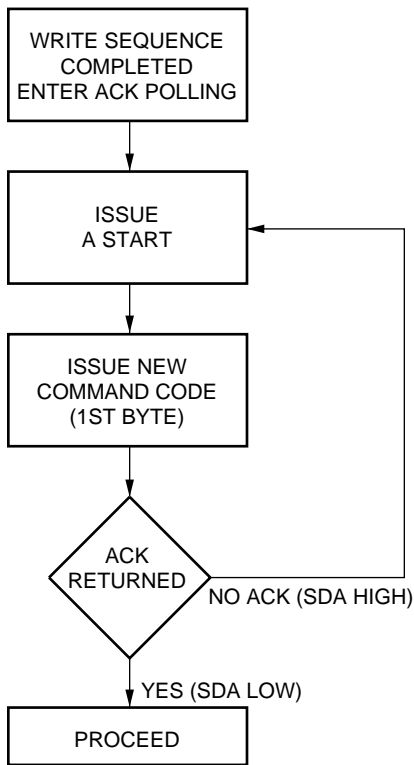


# X76F041

## ACK Polling

Once a stop condition is issued to indicate the end of the host's write sequence, the X76F041 initiates the internal nonvolatile write cycle. In order to take advantage of the typical 5ms write cycle, ACK polling can be initiated immediately. This involves issuing the Start condition followed by the new command code of eight bits (1st byte of the protocol). If the X76F041 is still busy with the nonvolatile write operation, it will issue a "no ACK" in response. If the nonvolatile write operation has completed, an "ACK" will be returned and the host can then proceed with the rest of the protocol. Refer to the following flow:

### ACK Polling Sequence



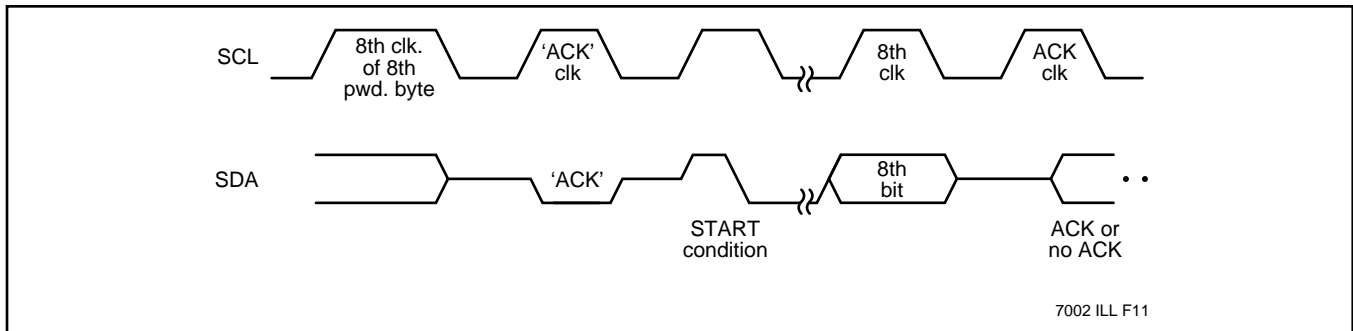
After a password sequence, there is always a nonvolatile write cycle. In order to continue the transaction, the X76F041 requires the master to perform an ACK polling with the specific code of C0h. As with regular acknowledge polling the user can either time out for 10ms, and then issue the ACK polling once, or continuously loop as described in the flow.

As with regular acknowledge polling, if the user chooses to loop, then as long as the nonvolatile write cycle is active, a no ACK will be issued in response to each polling cycle.

If the password that was inserted was correct, then an "ACK" will be returned once the nonvolatile write cycle is over, in response to the ACK polling cycle immediately following it.

If the password that was inserted was incorrect, then a "no ACK" will be returned even if the nonvolatile write cycle is over. Therefore, the user cannot be certain that the password is incorrect until the 10ms write cycle time has elapsed.

Figure 7. Acknowledge Polling





# X76F041

## READ OPERATION

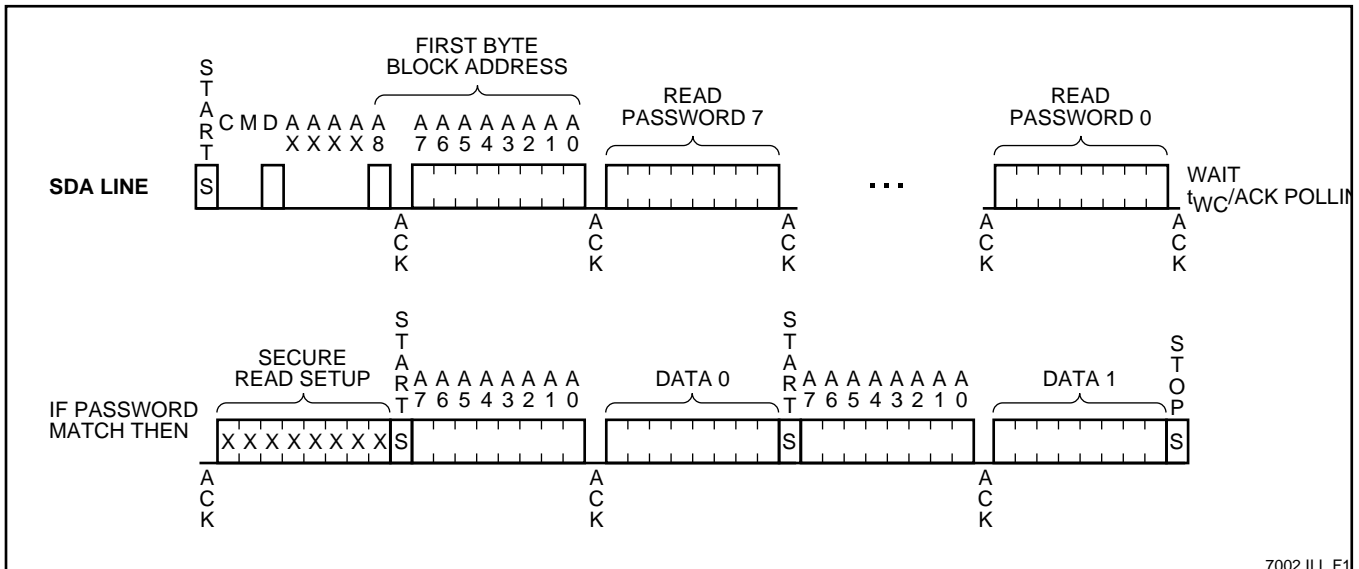
### Random Read with Password

Random read with password operations are initiated with a START command followed by the read command and the address of the first byte of the block in which data is to be read:

- Block 0 = 000h
- Block 1 = 080h
- Block 2 = 100h
- Block 3 = 180h

This is followed by the eight byte read password sequence which includes the 10ms wait time and the password acknowledge polling sequence. If the password is accepted an "ACK" will be returned followed by eight bits of "secure read setup" which is to be ignored. At this point a START is issued followed by the address and data to be read within the original 1K block. See figure 8. Once the first byte has been read, another start can be issued followed by a new 8-bit address. Random reads are allowed only within the original 1K-bit block. To access another 1K-bit block, a stop must be issued followed by a new command/block address/password sequence.

Figure 8. Random Read with Password



# X76F041

## Random Read without Password

Random read operations without a password do not require the first byte block initiation address. To perform a random read without password, a START is followed by the read command plus address location of the byte to be read. This is followed by an "ACK" and the eight bits of data to be read. Other bytes within the same 1K-bit block may be read by issuing another START followed by a new 8-bit address as shown in figure 9.

## Sequential Read

Once past the password acceptance sequence (when required) and "secure read setup", the host can read sequentially within the originally addressed 1K-bit array. The data output is sequential, with the data from address n followed by the data from address n+1. The address counter for read operations increments the address, allowing the 1K memory contents to be serially read during one operation. At the end of the address space (address 127), the counter "rolls over" to address space 0 within the 1K Block and the X76F041 continues to output data for each acknowledge received. Refer to figure 10 for the address, acknowledge and data transfer sequence. An acknowledge must follow each 8-bit data transfer. After the last bit has been read, a stop condition is generated without a preceding acknowledge.

Figure 9. Random Read without Password

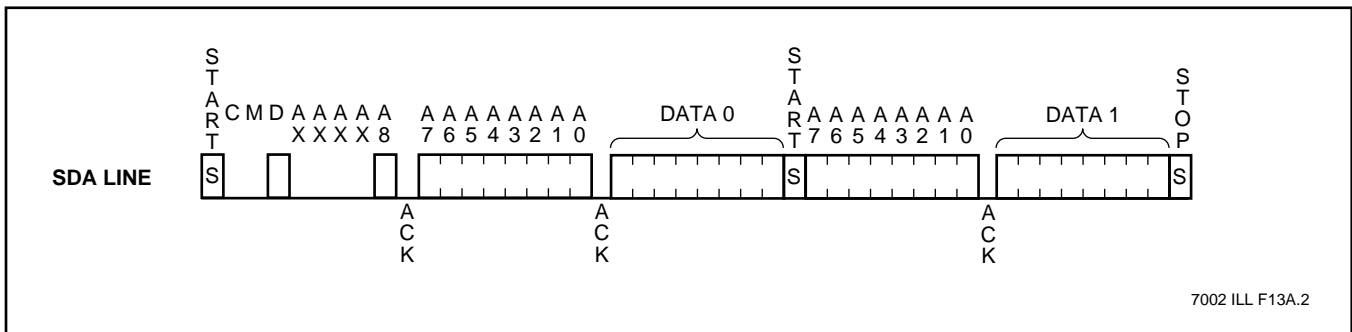
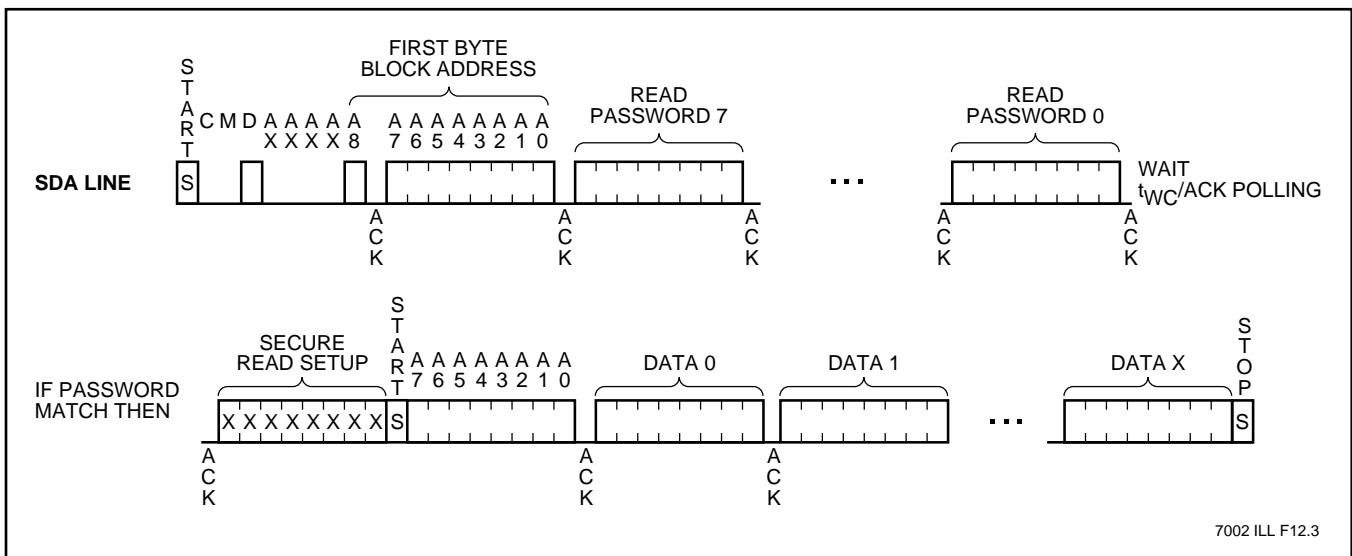


Figure 10. Sequential Read with Password



**CONFIGURATION OPERATIONS**

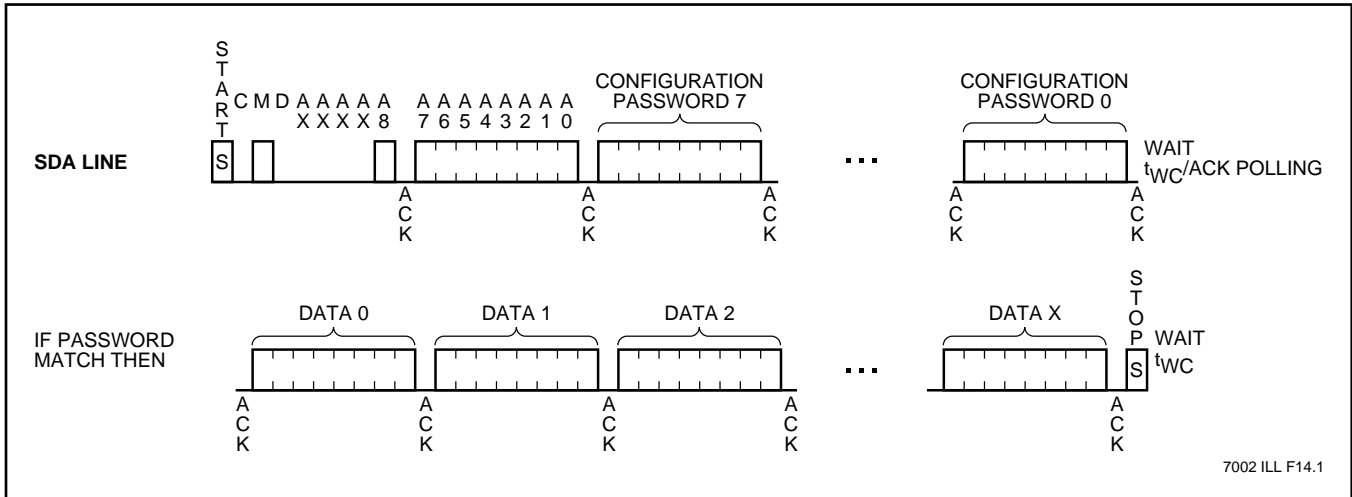
Configuration commands generally require the configuration password. The exception is that programming a new read/write password requires the old read/write password and not the configuration password. In most cases these operations will be performed by the equipment manufacturer or end distributor of the equipment or card.

**Configuration Read/Write**

Configuration read/write allows access to all of the non-volatile memory arrays regardless of the contents of the configuration registers. Access includes sector writes, random and sequential reads using the same format as normal reads and writes.

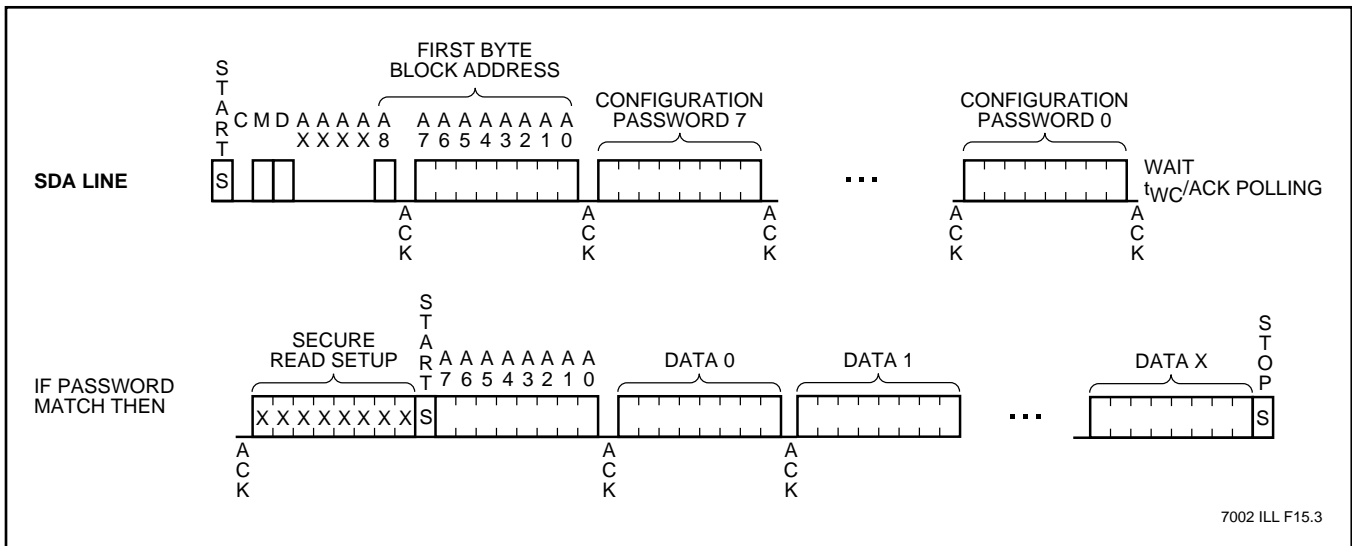
In general, the configuration read/write operation enables access to any memory location that may otherwise be limited. The configuration password, in this sense, is like a master key that can override the limits caused by the control partitioning of the arrays.

**Figure 11. Configuration Write**



7002 ILL F14.1

**Figure 12. Configuration Sequential Read**



7002 ILL F15.3

# X76F041

## Configuration of Passwords

The sequence in figure 14 will change (program) the write, read and configuration passwords. The programming of passwords is done twice prior to the nonvolatile write cycle in order to verify that the new password is consistent. After the eight bytes are entered in the second pass, a comparison takes place. A mismatch will cause the part to reset and enter into the standby mode and a "no ACK" will be issued.

There is no way to read the Read/Write/Configuration passwords.

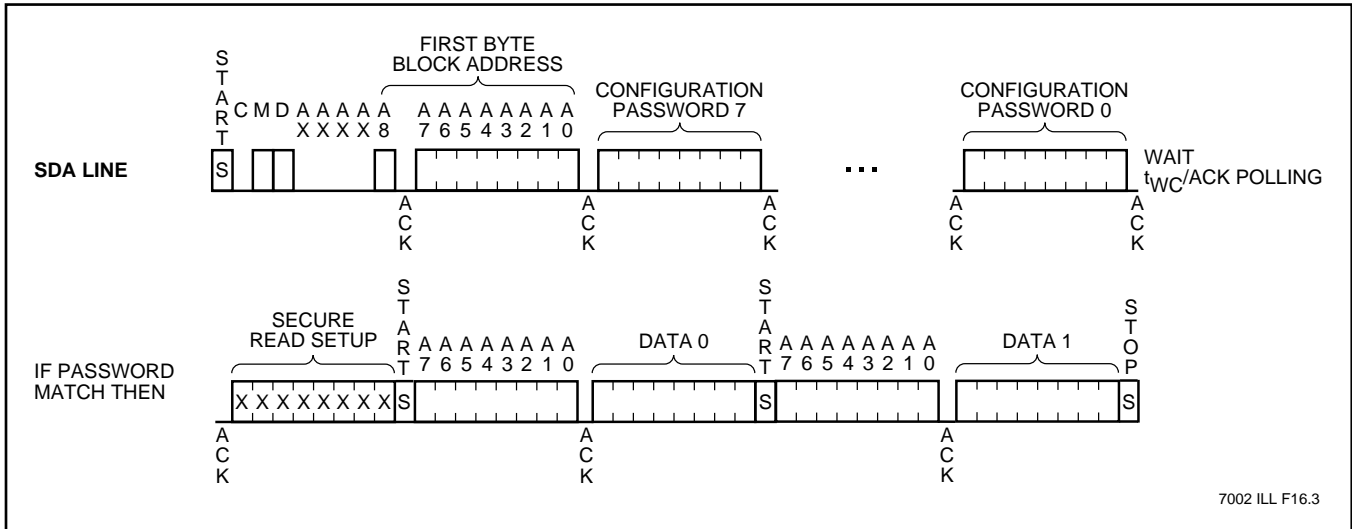
## Program Configuration Registers

This mode allows programming of the five configuration/control registers using the configuration password. The retry counter must be programmed with a value less than the retry register. If it is programmed with a value larger than the retry register there will be a wrap around.

## Read Configuration Registers

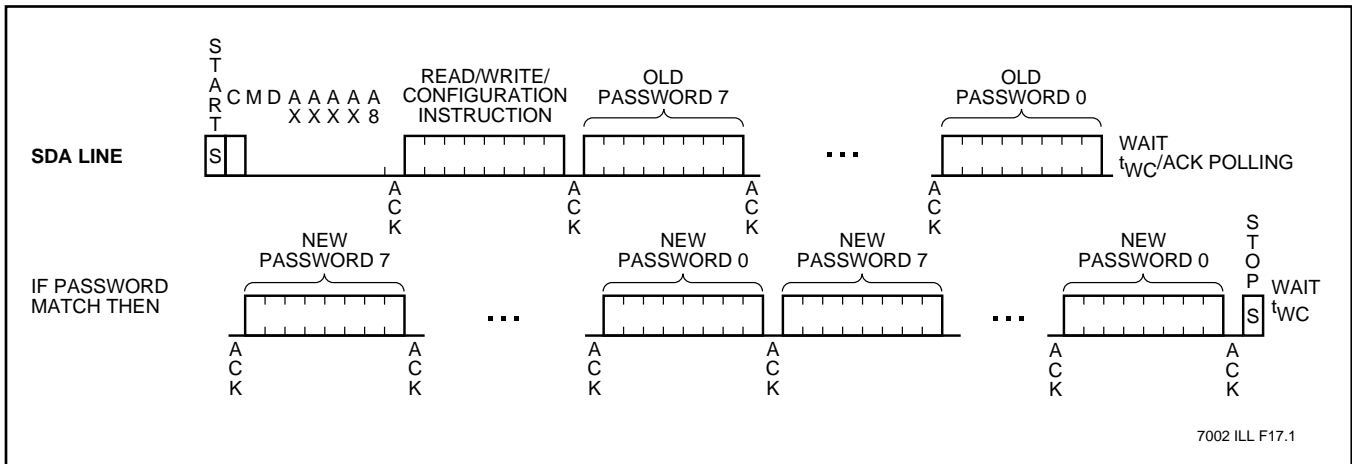
This mode allows reading of the 5 configuration/control registers with the configuration password. It may be useful for monitoring purposes.

Figure 13. Configuration Random Read



7002 ILL F16.3

Figure 14. Program Passwords



7002 ILL F17.1

# X76F041

## Read Password Reset

This mode allows resetting of the READ password to all "0"s in case re-programming is needed and the old password is not known.

## Write Password Reset

This mode allows resetting of the WRITE password to all "0"s in case re-programming is needed and the old password is not known.

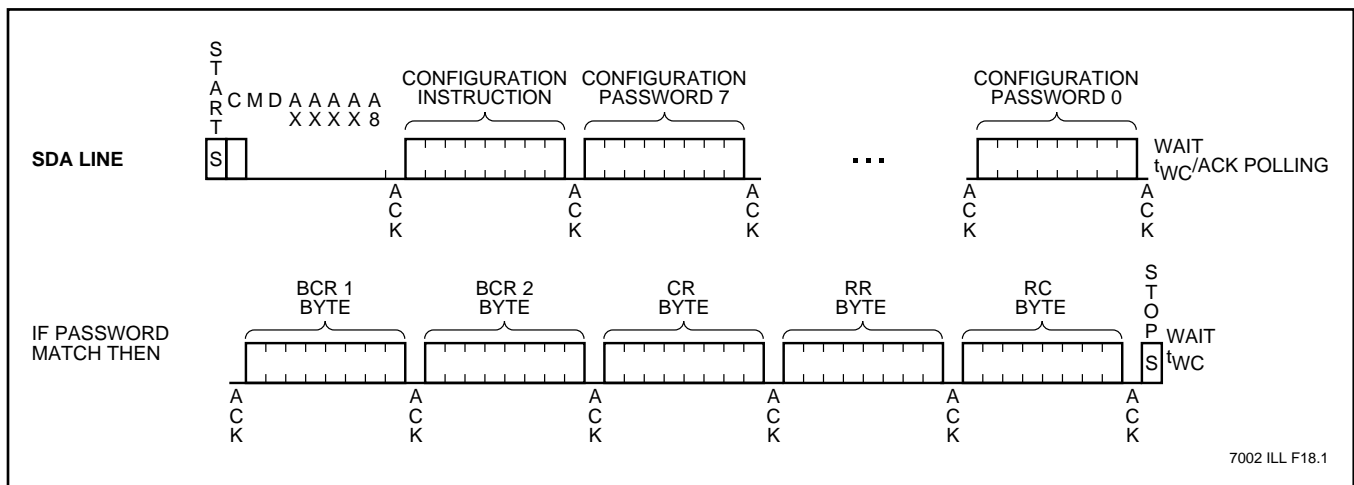
## Mass Program

This mode allows mass programming of the array, configuration registers and password to all "0"s using a special configuration command. All parts are shipped mass programmed.

## Mass Erase

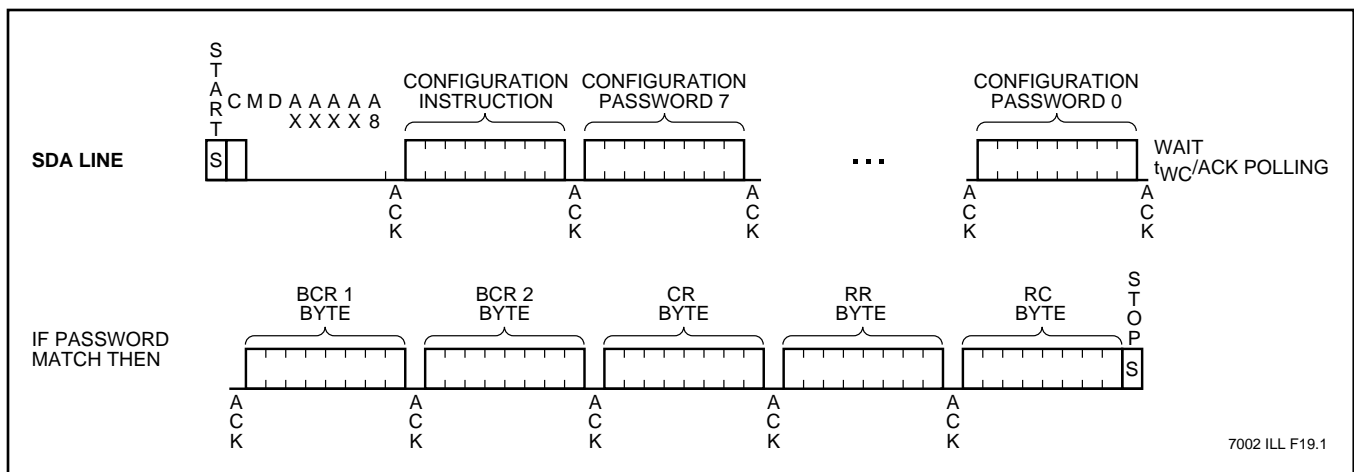
This mode allows mass erase of the array, configuration register and password to all "1"s using a special configuration command.

Figure 15. Program Configuration Registers



7002 ILL F18.1

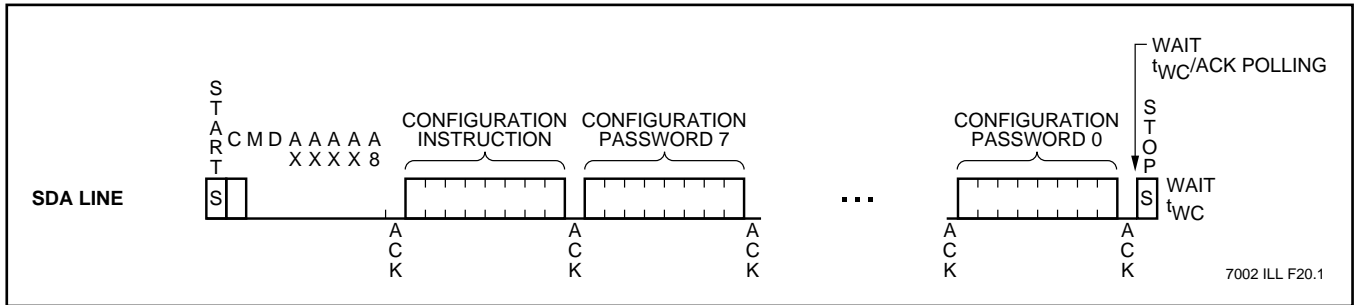
Figure 16. Read Configuration Registers



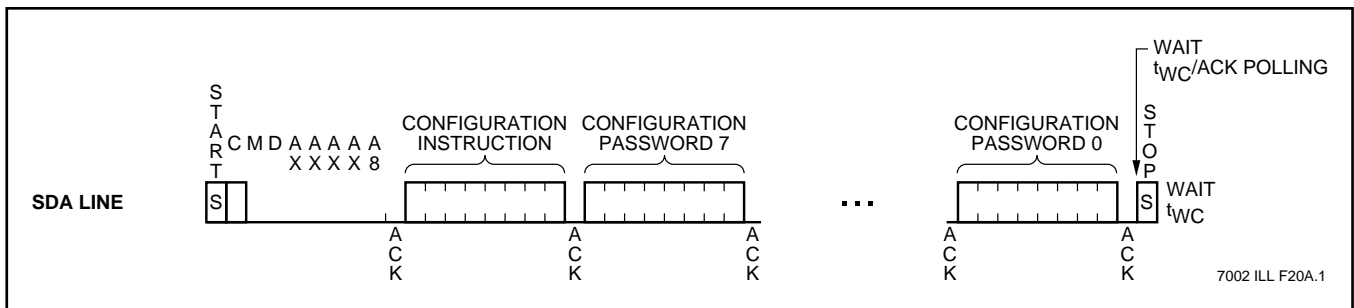
7002 ILL F19.1

# X76F041

**Figure 17. Read/Write Password Reset**



**Figure 18. Mass Program/Erase**



## SYMBOL TABLE

WAVEFORM	INPUTS	OUTPUTS
	Must be steady	Will be steady
	May change from LOW to HIGH	Will change from LOW to HIGH
	May change from HIGH to LOW	Will change from HIGH to LOW
	Don't Care: Changes Allowed	Changing: State Not Known
	N/A	Center Line is High Impedance

## ABSOLUTE MAXIMUM RATINGS\*

Temperature under Bias ..... -65°C to +135°C  
 Storage Temperature ..... -65°C to +150°C  
 Voltage on any Pin with  
     Respect to V<sub>SS</sub> ..... -1V to +7V  
 D.C. Output Current ..... 5mA  
 Lead Temperature  
     (Soldering, 10 seconds) ..... 300°C

## \*COMMENT

Stresses above those listed under “Absolute Maximum Ratings” may cause permanent damage to the device. This is a stress rating only and the functional operation of the device at these or any other conditions above those listed in the operational sections of this specification is not implied. Exposure to absolute maximum rating conditions for extended periods may affect device reliability.

# X76F041

## RECOMMENDED OPERATING CONDITIONS

Temp	Min.	Max.
Commercial	0°C	+70°C
Extended	-20°C	+85°C

7002 FRM T05

Supply Voltage	Limits
X76F041	4.5V to 5.5V
X76F041 – 3	3V to 3.6V

7002 FRM T06.1

## D.C. OPERATING CHARACTERISTICS (Over the recommended operating conditions unless otherwise specified.)

Symbol	Parameter	Limits		Units	Test Conditions
		Min.	Max.		
$I_{CC1}$	$V_{CC}$ Supply Current (Read)		2	mA	$f_{SCL} = V_{CC} \times 0.1 / V_{CC} \times 0.9$ Levels @ 1MHz, SDA = Open RST = $\overline{CS} = V_{SS}$
$I_{CC2}^{(3)}$	$V_{CC}$ Supply Current (Write)		3	mA	$f_{SCL} = V_{CC} \times 0.1 / V_{CC} \times 0.9$ Levels @ 1MHz, SDA = Open RST = $\overline{CS} = V_{SS}$
$I_{SB1}^{(1)}$	$V_{CC}$ Supply Current (Standby)		100	$\mu$ A	SCL = $V_{SS}$ , $\overline{CS} = V_{CC} - 0.3V$ SDA = Open, RST = $V_{CC} = 5.5V$
$I_{SB2}^{(1)}$	$V_{CC}$ Supply Current (Standby)		50	$\mu$ A	SCL = $V_{SS}$ , $\overline{CS} = V_{CC} - 0.3V$ SDA = Open, RST = $V_{SS}$ , $V_{CC} = 3V$
$I_{LI}$	Input Leakage Current		10	$\mu$ A	$V_{IN} = V_{SS}$ to $V_{CC}$
$I_{LO}$	Output Leakage Current		10	$\mu$ A	$V_{OUT} = V_{SS}$ to $V_{CC}$
$V_{IL1}^{(2)}$	Input LOW Voltage	-0.5	$V_{CC} \times 0.3$	V	$V_{CC} = 5.5V$
$V_{IH1}^{(2)}$	Input HIGH Voltage	$V_{CC} \times 0.7$	$V_{CC} + 0.5$	V	$V_{CC} = 5.5V$
$V_{IL2}^{(2)}$	Input LOW Voltage	-0.5	$V_{CC} \times 0.1$	V	$V_{CC} = 3.0V$
$V_{IH2}^{(2)}$	Input HIGH Voltage	$V_{CC} \times 0.9$	$V_{CC} + 0.5$	V	$V_{CC} = 3.0V$
$V_{OL}$	Output LOW Voltage		0.4	V	$I_{OL} = 2mA$
$V_{OH}$	Output HIGH Voltage	$V_{CC} - 0.8$		V	$I_{OH} = -1mA$

7002 FRM T07.1

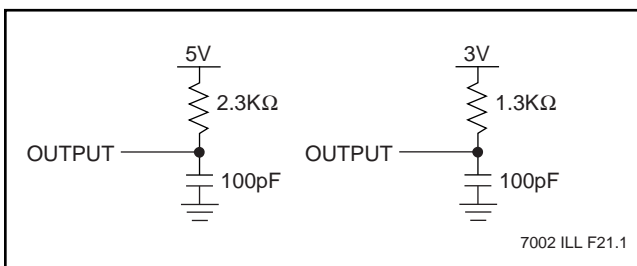
## CAPACITANCE $T_A = +25^\circ C$ , $f = 1MHz$ , $V_{CC} = 5V$

Symbol	Test	Max.	Units	Conditions
$C_{OUT}^{(3)}$	Output Capacitance (SDA)	10	pF	$V_{I/O} = 0V$
$C_{IN}^{(3)}$	Input Capacitance (RST, SCL, $\overline{CS}$ )	10	pF	$V_{IN} = 0V$

7002 FRM T08

- NOTES:** (1) Must perform a stop command after a read command prior to measurement  
 (2)  $V_{IL}$  min. and  $V_{IH}$  max. are for reference only and are not tested.  
 (3) This parameter is periodically sampled and not 100% tested.

## EQUIVALENT A.C. LOAD CIRCUIT



## A.C. TEST CONDITIONS

Input Pulse Levels	$V_{CC} \times 0.1$ to $V_{CC} \times 0.9$
Input Rise and Fall Times	10ns
Input and Output Timing Level	$V_{CC} \times 0.5$
Output Load	100pF

7002 FRM T09

# X76F041

## A.C. CHARACTERISTICS (Over recommended operating conditions, unless otherwise specified)

### Read & Write Cycle Limits

Symbol	Parameter	Min.	Max.	Units
f <sub>SCL</sub>	SCL Clock Frequency		1	MHz
TI	Noise Suppression Time Constant at SCL & SDA Inputs		20	ns
t <sub>DV</sub>	SCL HIGH to SDA Data Valid		450	ns
t <sub>LOW</sub>	Clock LOW Period	500		ns
t <sub>HIGH</sub>	Clock HIGH Period	500		ns
t <sub>STAS1</sub>	Start Condition Setup Time to Rising Edge of SCL	150		ns
t <sub>STAS2</sub>	Start Condition Setup Time to Falling Edge of SCL	150		ns
t <sub>STAH1</sub>	Start Condition Hold Time to Rising Edge of SCL	50		ns
t <sub>STAH2</sub>	Start Condition Hold Time to Falling Edge of SCL	50		ns
t <sub>STPS1</sub>	Stop Condition Setup Time to Rising Edge of SCL	150		ns
t <sub>STPS2</sub>	Stop Condition Setup Time to Falling Edge of SCL	150		ns
t <sub>STPH1</sub>	Stop Condition Hold Time to Rising Edge of SCL	50		ns
t <sub>STPH2</sub>	Stop Condition Hold Time to Falling Edge of SCL	50		ns
t <sub>HD:DAT</sub>	Data in Hold Time	10		ns
t <sub>SU:DAT</sub>	Data in Setup Time	150		ns
t <sub>RSCL</sub> <sup>(4)</sup>	SCL Rise Time		90	ns
t <sub>FSCL</sub> <sup>(4)</sup>	SCL Fall Time		90	ns
t <sub>R</sub> <sup>(4)</sup>	SDA, $\overline{CS}$ , RST Rise Time		90	ns
t <sub>F</sub> <sup>(4)</sup>	SDA, $\overline{CS}$ , RST Fall Time		90	ns
t <sub>DH</sub>	Data Out Hold Time	0		ns
t <sub>HZ1</sub>	SCL LOW to High Impedance		150	ns
t <sub>LZ</sub>	SCL HIGH to Output Active	0		ns
t <sub>VCCS</sub>	V <sub>CC</sub> to $\overline{CS}$ Setup Time	5		ms
t <sub>SU:CS</sub>	$\overline{CS}$ Setup Time	200		ns
t <sub>HD:CS</sub>	$\overline{CS}$ Hold Time	100		ns
t <sub>HZ2</sub>	$\overline{CS}$ Deselect Time		150	ns
t <sub>SU:SCL</sub>	SCL Setup Time to $\overline{CS}$ LOW after Power Up	200		ns
t <sub>RST</sub>	RST HIGH Time	1500		ns
t <sub>SU:RST</sub>	RST Setup Time	500		ns
f <sub>SCL:RST</sub>	SCL Frequency During Response to Reset		1	MHz
t <sub>LOW:RST</sub>	SCL LOW Time During Response to Reset	500		ns
t <sub>HIGH:RST</sub>	SCL HIGH Time During Response to Reset	500		ns
t <sub>PD</sub>	SCL LOW to SDA Valid During Response to Reset		450	ns
t <sub>NOL</sub>	RST to SCL Non-Overlap	500		ns
t <sub>WC</sub>	Nonvolatile Write Cycle		10	ms

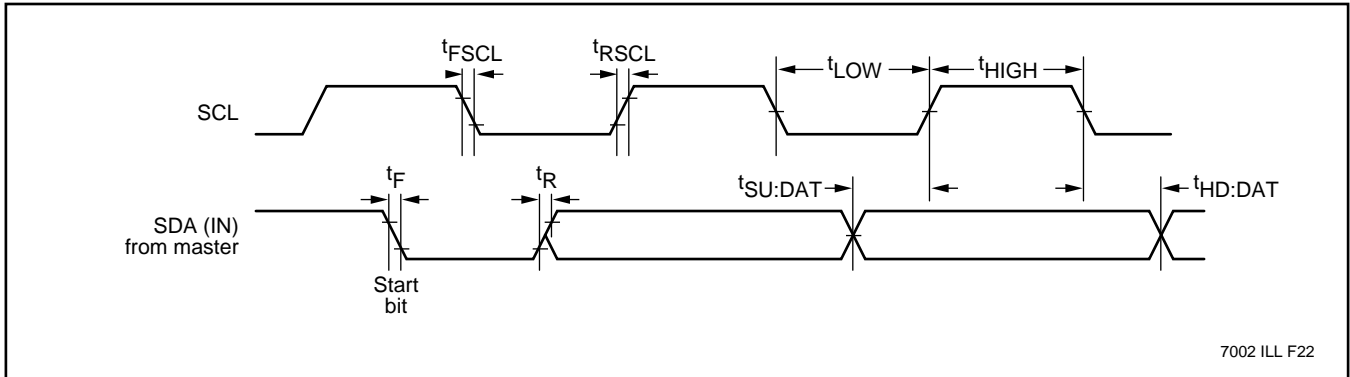
7002 FRM T10

**NOTES:** (4) This parameter is periodically sampled and not 100% tested.

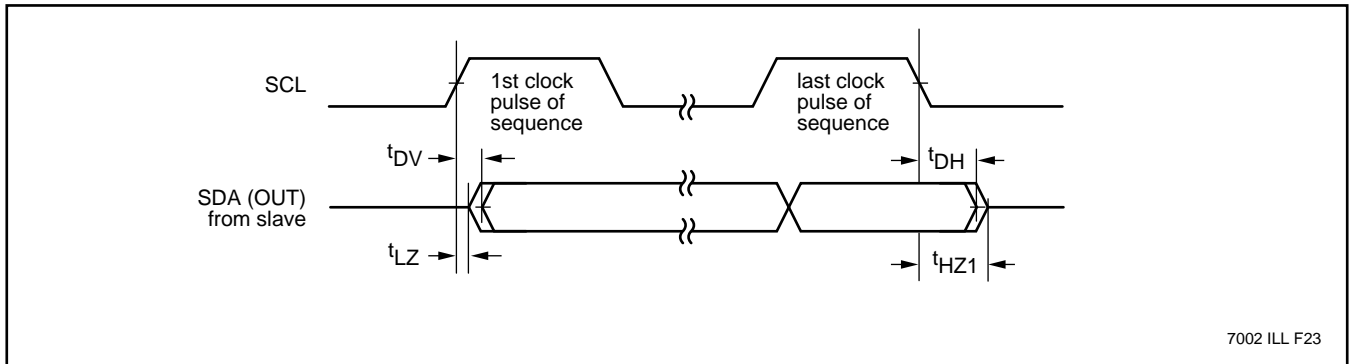


# X76F041

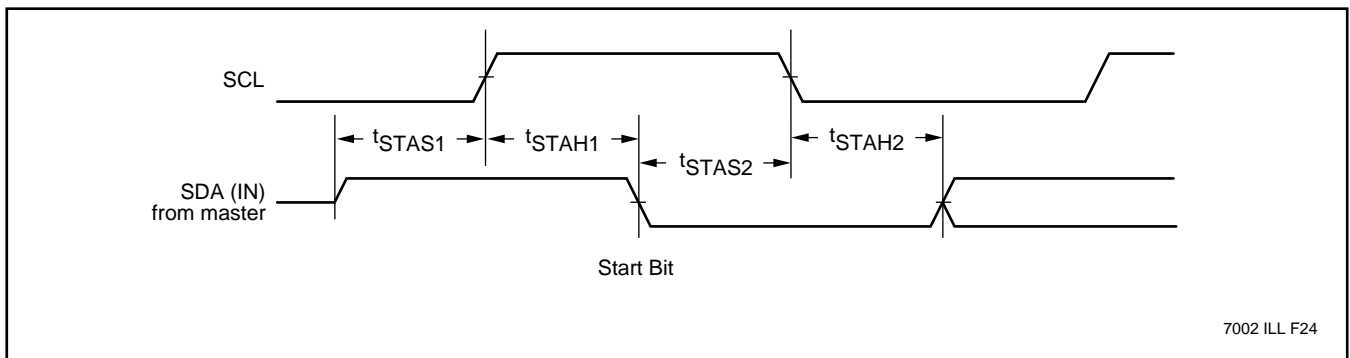
## Bus Timing<sup>(1)</sup> — SDA Driven by the Bus Master



## Bus Timing<sup>(2)</sup> — SDA Driven by the Slave



## START Condition Timing

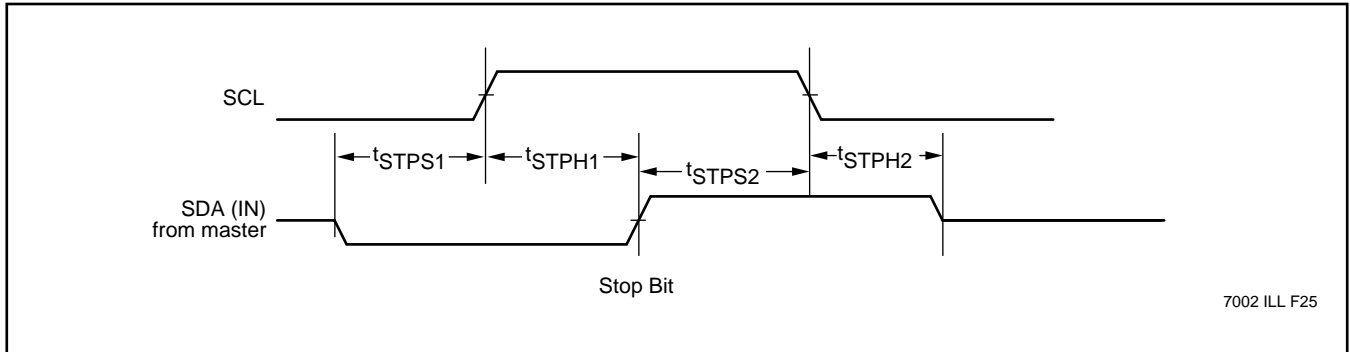


**NOTES:** (1) The master may issue a STOP condition at any given time in which it is driving the SDA line. In other words, when the part is sending ACK or data the master may NOT issue a STOP condition. The part will not respond to any such attempt which also causes bus contention. At any other time, a STOP condition will cause the part to reset and stop (enter a stand-by mode). Write operations will terminate prior to entering the stand-by mode.

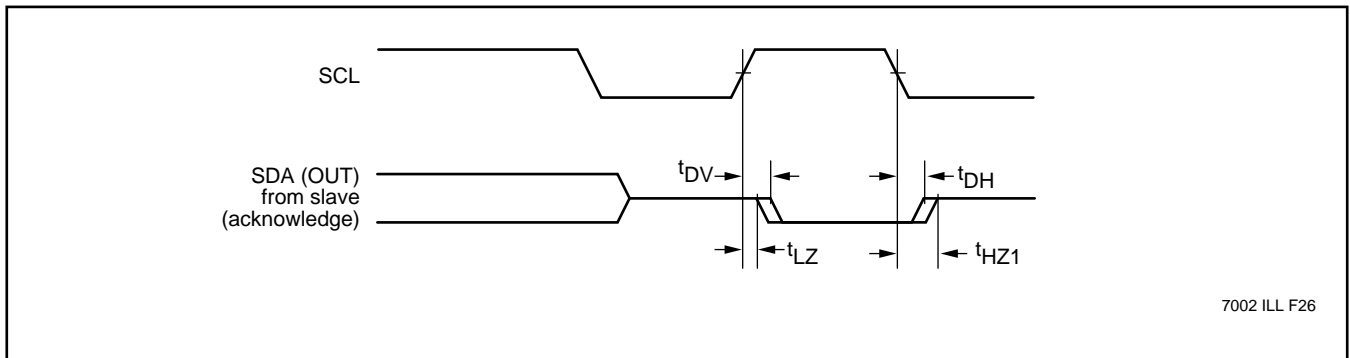
(2) When the part drives the SDA line, it will tri-state the bus only after the last bit of the sequence. In other words, after the 8th bit of a byte that is read or after ACK between incoming bytes. In all other cases when the part drives the bus (between successive bits) it will continue to drive the bus also during the clock LOW periods.

# X76F041

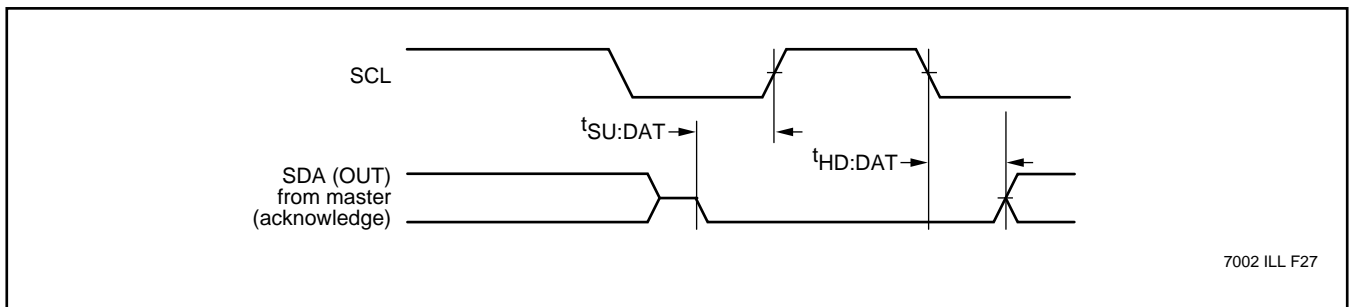
## STOP Condition Timing



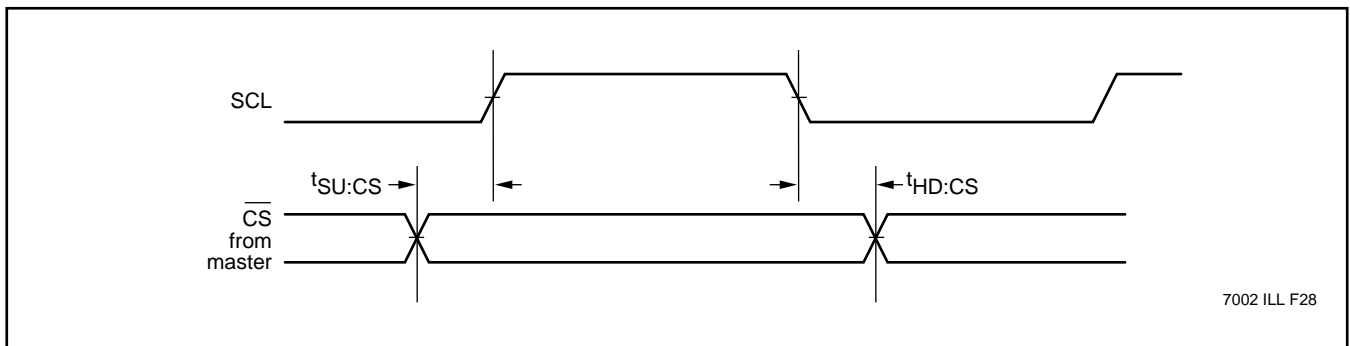
## Acknowledge Response from Slave (Same Timing as Data Out)



## Acknowledge Response from Master

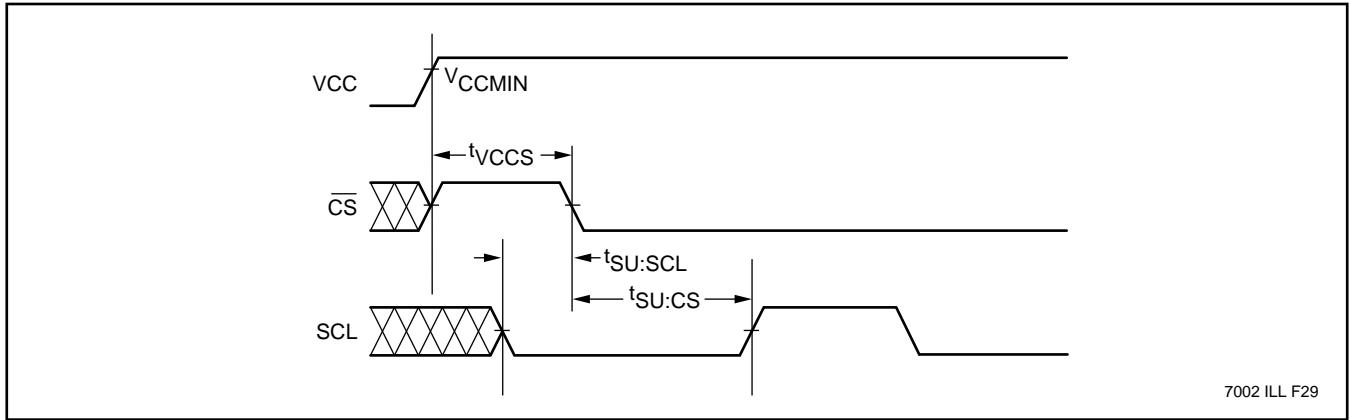


## $\overline{CS}$ Timing Diagram (Selecting/Deselecting the Part)

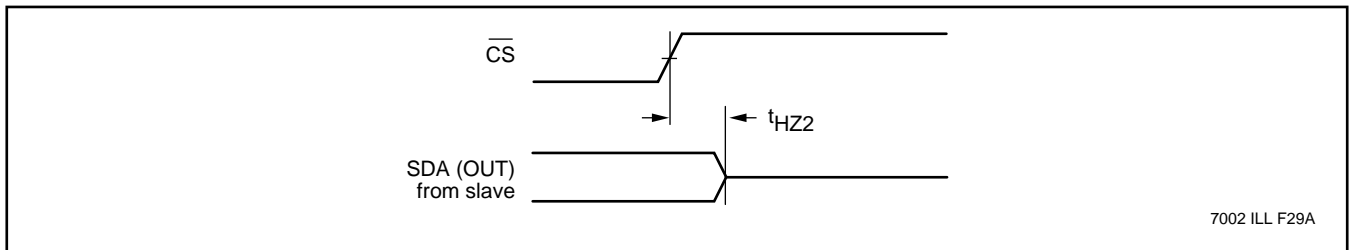


# X76F041

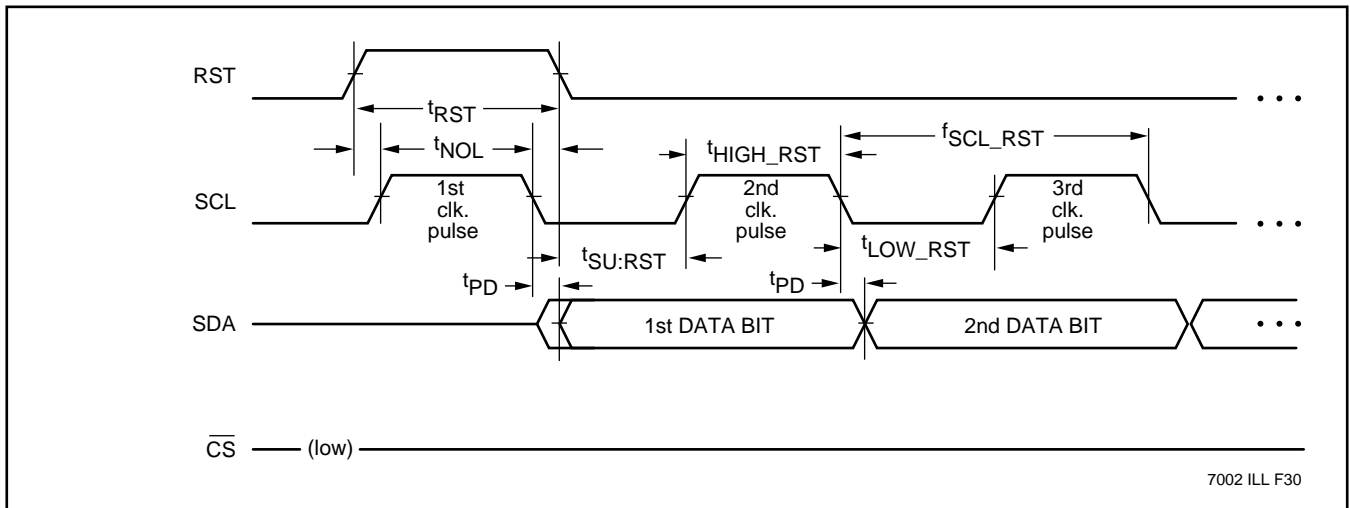
## V<sub>CC</sub> to $\overline{\text{CS}}$ Setup Timing Diagram



## $\overline{\text{CS}}$ Deselect



## RST Timing Diagram — Response to a Synchronous Reset (ISO)



**NOTES:** (1) The reset operation results in an answer from the part containing a header transmitted from the part to the master. The header has a fixed length of 32 bits and begins with two mandatory fields of eight bits : H1 and H2.

(2) The chronological order of transmission of the information bits shall correspond to bit identification b1 to b32 with the LEAST significant bit transmitted first.

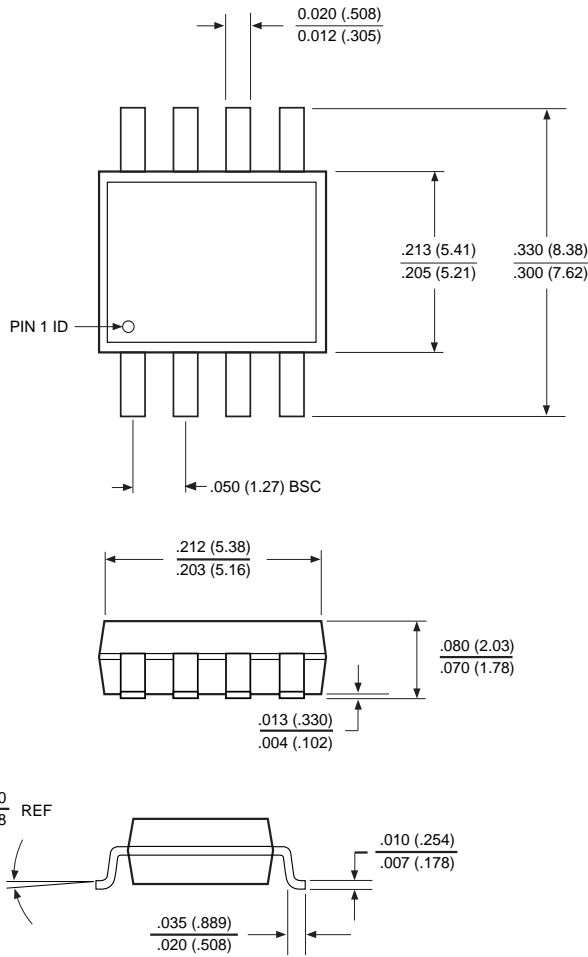
(3) The current values are:

H1 : 19 h  
 H2 : 55 h  
 H3 : AA h  
 H4 : 55 h

# X76F041

## PACKAGING INFORMATION

### 8-LEAD PLASTIC, 0.200" WIDE SMALL OUTLINE GULLWING PACKAGE TYP "A" (EIAJ SOIC)

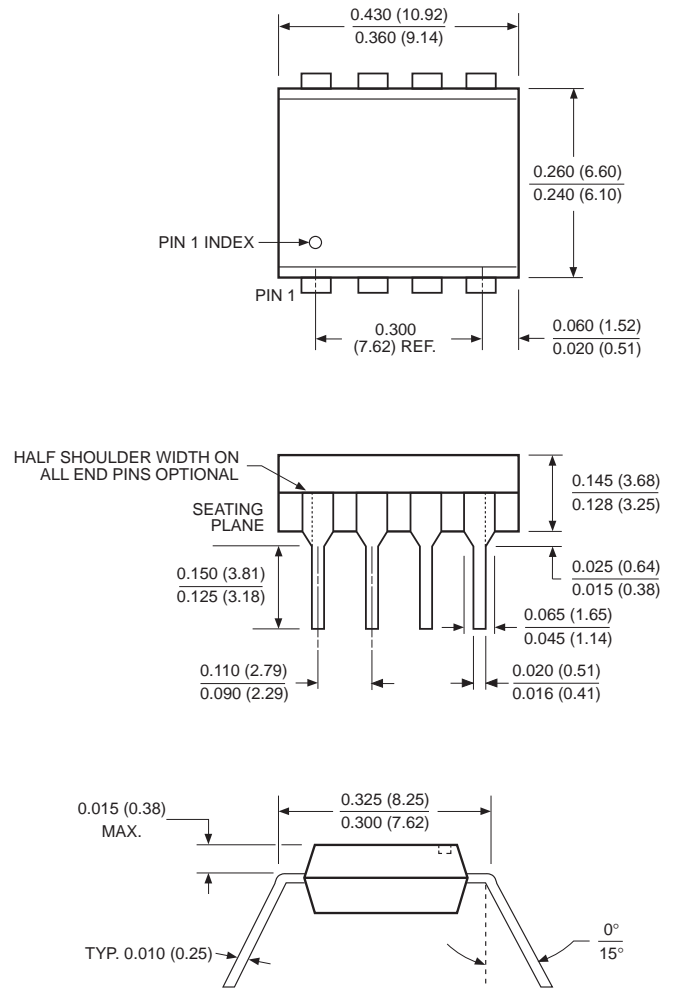


**NOTE:**

1. ALL DIMENSIONS IN INCHES (IN PARENTHESES IN MILLIMETERS)
2. PACKAGE DIMENSIONS EXCLUDE MOLDING FLASH

3926 ILL F33.1

### 8-LEAD PLASTIC DUAL IN-LINE PACKAGE TYPE P



**NOTE:**

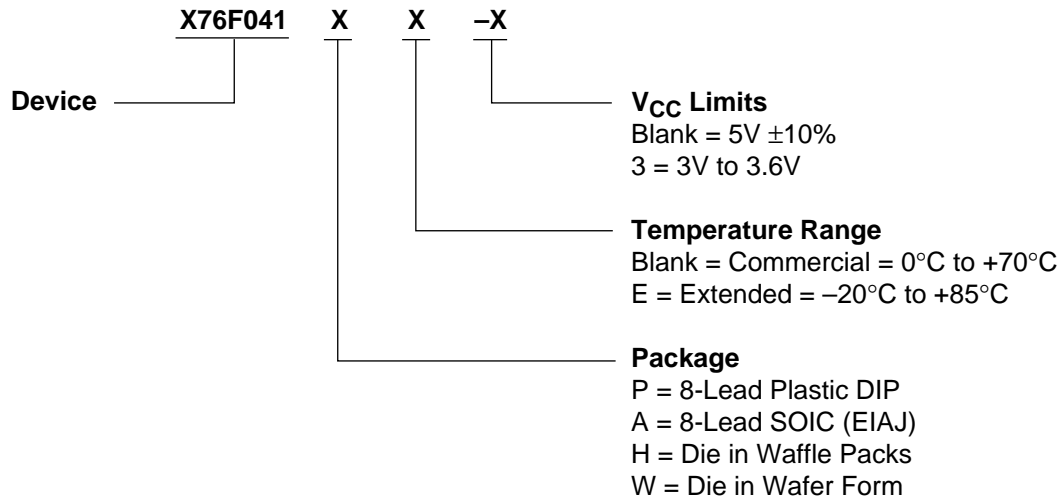
1. ALL DIMENSIONS IN INCHES (IN PARENTHESES IN MILLIMETERS)
2. PACKAGE DIMENSIONS EXCLUDE MOLDING FLASH

3926 FHD F01

# X76F041

---

## ORDERING INFORMATION



---

### LIMITED WARRANTY

Devices sold by Xicor, Inc. are covered by the warranty and patent indemnification provisions appearing in its Terms of Sale only. Xicor, Inc. makes no warranty, express, statutory, implied, or by description regarding the information set forth herein or regarding the freedom of the described devices from patent infringement. Xicor, Inc. makes no warranty of merchantability or fitness for any purpose. Xicor, Inc. reserves the right to discontinue production and change specifications and prices at any time and without notice.

Xicor, Inc. assumes no responsibility for the use of any circuitry other than circuitry embodied in a Xicor, Inc. product. No other circuits, patents, licenses are implied.

### U.S. PATENTS

Xicor products are covered by one or more of the following U.S. Patents: 4,263,664; 4,274,012; 4,300,212; 4,314,265; 4,326,134; 4,393,481; 4,404,475; 4,450,402; 4,486,769; 4,488,060; 4,520,461; 4,533,846; 4,599,706; 4,617,652; 4,668,932; 4,752,912; 4,829,482; 4,874,967; 4,883,976. Foreign patents and additional patents pending.

### LIFE RELATED POLICY

In situations where semiconductor component failure may endanger life, system designers using this product should design the system with appropriate error detection and correction, redundancy and back-up features to prevent such an occurrence.

Xicor's products are not authorized for use in critical components in life support devices or systems.

1. Life support devices or systems are devices or systems which, (a) are intended for surgical implant into the body, or (b) support or sustain life, and whose failure to perform, when properly used in accordance with instructions for use provided in the labeling, can be reasonably expected to result in a significant injury to the user.
2. A critical component is any component of a life support device or system whose failure to perform can be reasonably expected to cause the failure of the life support device or system, or to affect its safety or effectiveness.