

HIGH VOLTAGE ASSEMBLED RECTIFIER

VOLTAGE 20000 Volts CURRENT 0.35 Amperes

FEATURES

- * Low cost
- * Low leakage
- * Isolated case
- * Surge overload rating - 50 amperes peak
- * Mounting position: Any
- * Low forward voltage drop

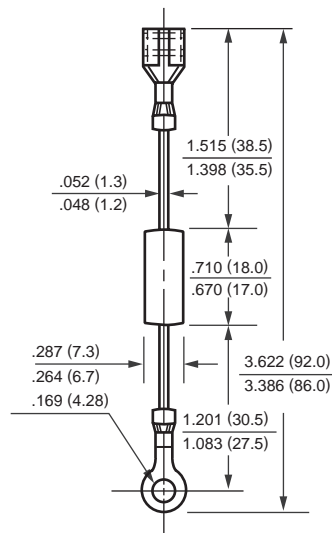
MECHANICAL DATA

- * Epoxy : UL flammability classification 94V-0

MAXIMUM RATINGS AND ELECTRICAL CHARACTERISTICS

Ratings at 25 °C ambient temperature unless otherwise specified.
 Single phase, half wave, 60 Hz, resistive or inductive load.
 For capacitive load, derate current by 20%.

HVM



Dimensions in inches and (millimeters)

MAXIMUM RATINGS (At TA = 25°C unless otherwise noted)

RATINGS	SYMBOL	HVM20	UNITS
Maximum Recurrent Peak Reverse Voltage	VRRM	20	K Volts
Maximum RMS Voltage	VRMS	14	K Volts
Maximum DC Blocking Voltage	VDC	20	K Volts
Maximum Average Forward Rectified Current at TA = 50°C	IO	350	mAmps
Peak Forward Surge Current 8.3 ms single half sine-wave superimposed on rated load (JEDEC method)	IFSM	50	Amps
Operating and Storage Temperature Range	TJ, TSTG	-20 to +135	°C

ELECTRICAL CHARACTERISTICS (At TA = 25°C unless otherwise noted)

CHARACTERISTICS	SYMBOL	HVM20	UNITS
Maximum Instantaneous Forward Voltage at 0.35A DC	VF	14	Volts
Maximum DC Reverse Current at Rated DC Blocking Voltage	IR	5.0	uAmps

- NOTES: 1. Enough heat sink must be considered in application.
 2. Operating and Storage Temperature : -20°C to +135°C
 3. Suffix " L " for Wire type.

RATING AND CHARACTERISTIC CURVES OF HVM20

FIG. 1 - TYPICAL FORWARD CURRENT DERATING CURVE

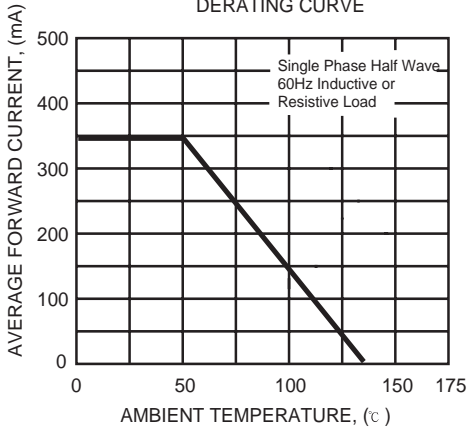


FIG. 2 - MAXIMUM NON-REPETITIVE FORWARD SURGE CURRENT

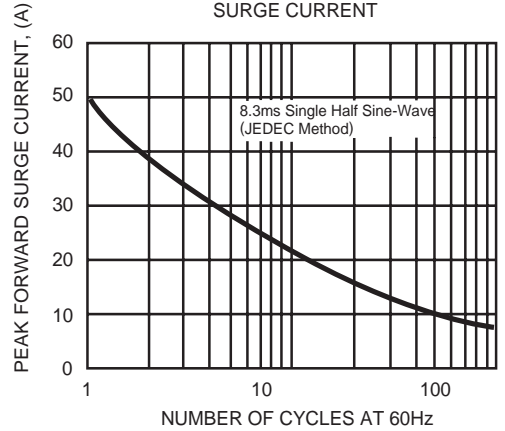


FIG. 3 - TYPICAL REVERSE CHARACTERISTICS

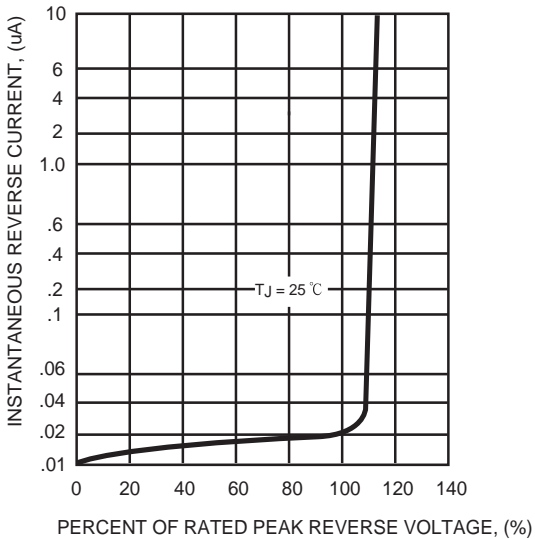


FIG. 4 - TYPICAL INSTANTANEOUS FORWARD CHARACTERISTICS

