

FEATURES

- ◆ Fully integrated octal E1 short haul line interface which supports 120W E1 twisted pair and 75W E1 coaxial applications
- ◆ Selectable single rail or dual rail mode and AMI or HDB3 line encoder/decoder
- ◆ Built-in transmit pre-equalization meets G.703
- ◆ Selectable transmit/receive jitter attenuator meets ETSI CTR12/13, ITU G.736, G.742 and G.823 specifications
- ◆ SONET/SDH optimized jitter attenuator meets ITU G.783 mapping jitter specification
- ◆ Digital/analog LOS detector meets ITU G.775 and ETS 300 233
- ◆ ITU G.772 non-intrusive monitoring for in-service testing for any one of channel1 to channel7
- ◆ Low impedance transmit drivers with tri-state
- ◆ Selectable hardware and parallel/serial host interface
- ◆ Local and remote loopback test functions
- ◆ Hitless Protection Switching (HPS) for 1 to 1 protection without relays
- ◆ JTAG boundary scan for board test
- ◆ 3.3V supply with 5V tolerant I/O
- ◆ Low power consumption
- ◆ Operating temperature range: -40°C to +85°C
- ◆ Available in 144-pin Thin Quad Flat Pack (TQFP_144_DA) and 160-pin Plastic Ball Grid Array (PBGA) packages

FUNCTIONAL BLOCK DIAGRAM

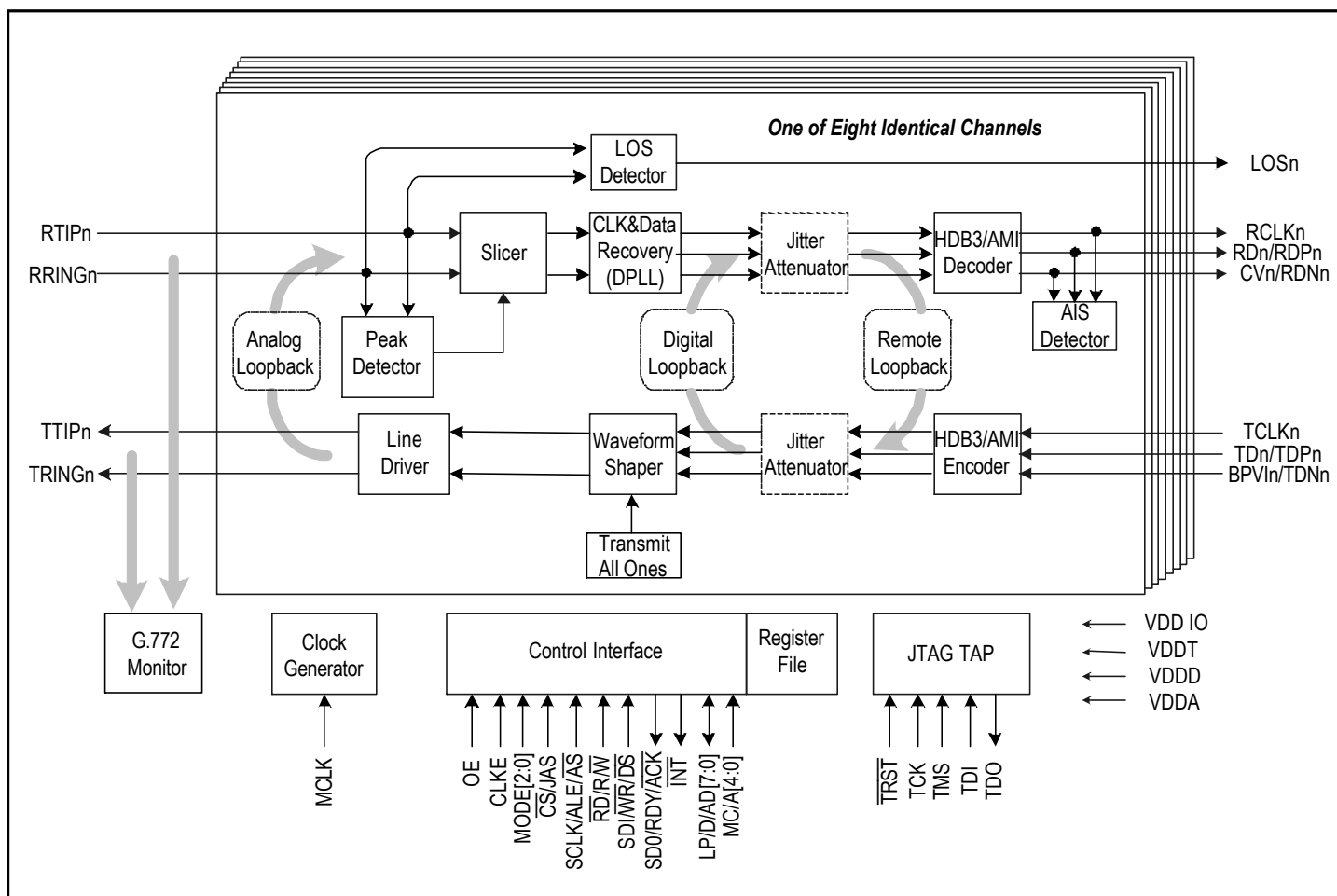


Figure - 1. Block Diagram

DESCRIPTION:

The IDT82V2058 is a single chip, 8-channel E1 short haul PCM transceiver with a reference clock of 2.048MHz. It contains 8 transmitters and 8 receivers.

Both receivers and transmitters can be programmed to work either in single rail mode or dual rail mode. AMI or HDB3 encoder/decoder is selectable in single rail mode. Pre-encoded transmit data in NRZ format can be accepted when the device is configured in dual rail mode. The receivers perform clock and data recovery by using integrated digital phase-locked loop. As an option, the raw sliced data (no retiming) can be output on the receive data pins. Transmit equalization is implemented with low-impedance output drivers that provide shaped waveforms to the transformer, guaranteeing template conformance.

A jitter attenuator is integrated in the IDT82V2058 and can be switched into either the transmit path or the receive path. The jitter at-

tenuation performance meets ETSI CTR12/13, ITU G.736, G.742, and G.823 specifications.

The IDT82V2058 offers hardware control mode and software control mode. Software control mode works with either serial host interface or parallel host interface. The latter works via an Intel/Motorola compatible 8-bit parallel interface for both multiplexed or non-multiplexed applications. Hardware control mode uses multiplexed pins to select different operation mode when host interface is not available to the device.

The IDT82V2058 also provides loopback testing functions and JTAG boundary scan testing functions. As the monitoring function is integrated, IDT82V2058 can be configured as a 7-channel transceiver with non-intrusive protected monitoring points.

The IDT82V2058 can be used for SDH/Sonet multiplexers, central office or PBX, digital access cross connects, digital radio base stations, remote wireless modules and microwave transmission systems.

PIN CONFIGURATIONS

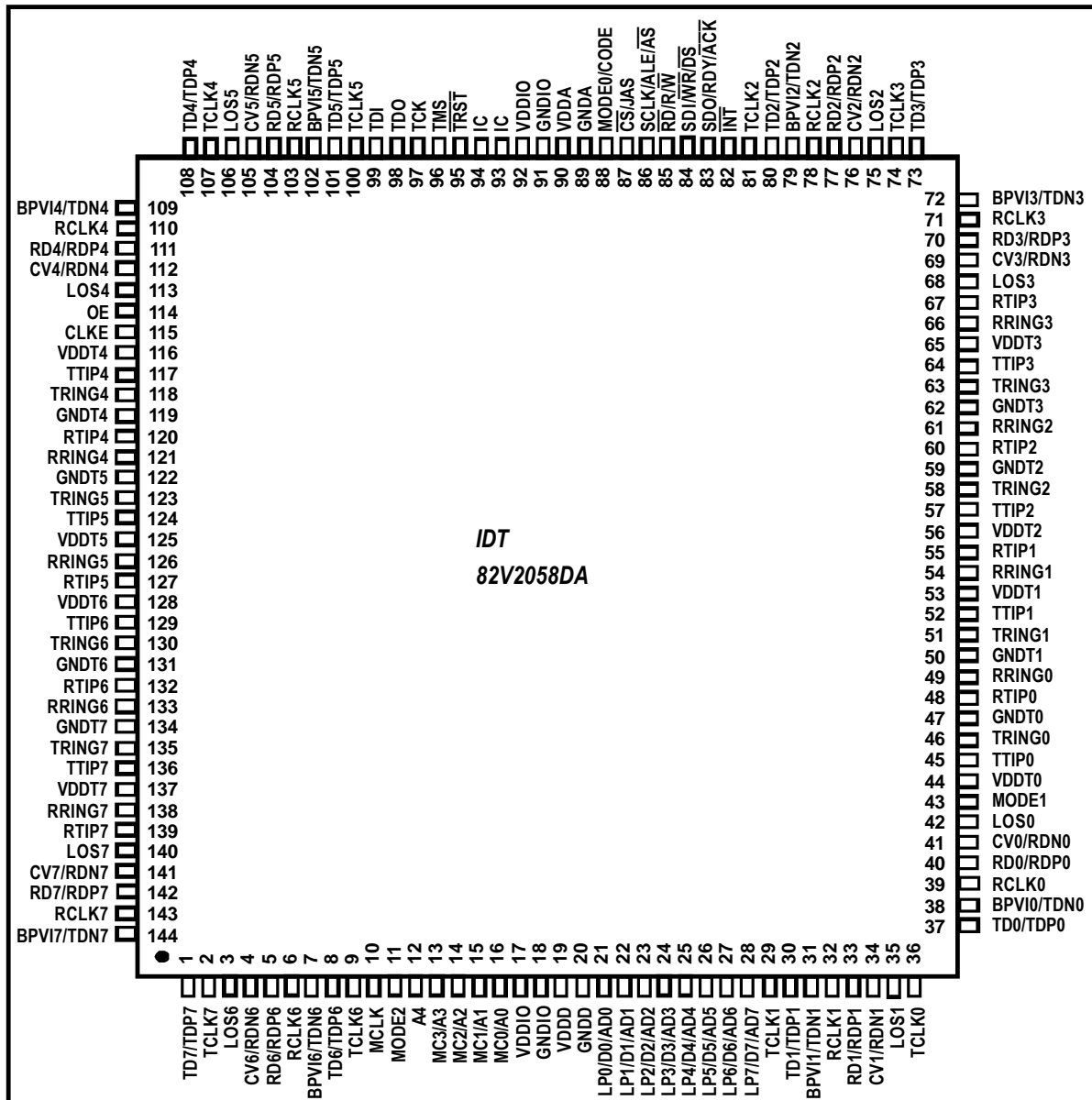


Figure - 2. TQFP144 Package Pin Assignment

PIN CONFIGURATIONS (CONTINUED)

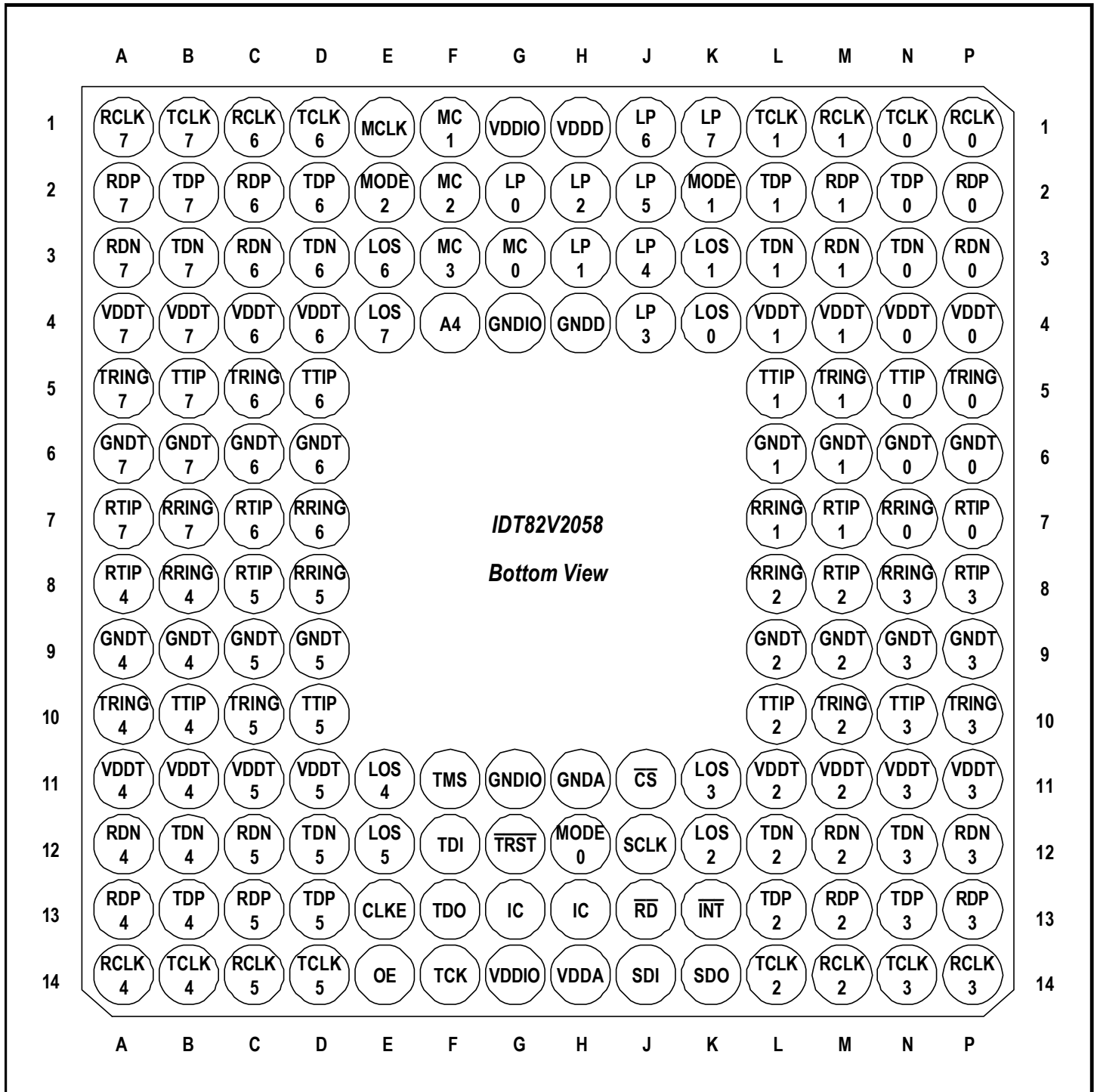


Figure - 2b. PBGA160 Package Pin Assignment

PIN DESCRIPTION

Name	Type	Pin No.		Description
		QFP144	BGA160	
Transmit and Receive Line Interface				
TTIP0	Analog Output	45	N5	TTIPn/TRINGn: Transmit Bipolar Tip/Ring for Channel 0~7 These pins are the differential line driver outputs. They will be in high impedance state if pin OE is low or the corresponding pin TCLKn is low (pin OE is globe control, while pin TCLKn is per-channel control). In host mode, each pin can be in high impedance state by programming a "1" to the corresponding bit in Register OE ¹ .
TTIP1		52	L5	
TTIP2		57	L10	
TTIP3		64	N10	
TTIP4		117	B10	
TTIP5		124	D10	
TTIP6		129	D5	
TTIP7		136	B5	
TRING0		46	P5	
TRING1		51	M5	
TRING2		58	M10	
TRING3		63	P10	
TRING4		118	A10	
TRING5		123	C10	
TRING6	130	C5		
TRING7	135	A5		
RTIP0	Analog Input	48	P7	RTIPn/RRINGn: Receive Bipolar Tip/Ring for Channel 0~7 These pins are the differential line receiver inputs.
RTIP1		55	M7	
RTIP2		60	M8	
RTIP3		67	P8	
RTIP4		120	A8	
RTIP5		127	C8	
RTIP6		132	C7	
RTIP7		139	A7	
RRING0		49	N7	
RRING1		54	L7	
RRING2		61	L8	
RRING3		66	N8	
RRING4		121	B8	
RRING5		126	D8	
RRING6	133	D7		
RRING7	138	B7		

¹ Register name is indicated by bold capital letter. **OE**: Output Enable Register.

PIN DESCRIPTION (CONTINUED)

Name	Type	Pin No.		Description																							
		QFP144	BGA160																								
TD0/TDP0	I	37	N2	<p>TDn: Transmit Data for Channel 0~7 When the device is in Single Rail mode, the NRZ data to be transmitted is input on this pin. Data on TDn is sampled into the device on falling edges of TCLKn, and encoded by AMI or HDB3 line code rules before being transmitted to the line.</p> <p>BPVn: Bipolar Violation Insertion for Channel 0~7 Bipolar violation insertion is available in Signal Rail mode 2 (see <i>table-1</i>) with AMI enabled. A low-to-high transition on this pin will make the next logic one to be transmitted on TDn pin the same polarity as the previous pulse, and violate the AMI rule. This is for testing.</p> <p>TDPn/TDNn: Positive/Negative Transmit Data for Channel 0~7 When the device is in Dual Rail mode, the NRZ data to be transmitted for positive/negative pulse is input on this pin. Data on TDPn/TDNn are active high and sampled into the device on falling edges of TCLKn. The line code in Dual Rail mode is as the follows :</p> <table border="1" style="margin-left: 20px;"> <thead> <tr> <th>TDPn</th> <th>TDNn</th> <th>Output Pulse</th> </tr> </thead> <tbody> <tr> <td>0</td> <td>0</td> <td>Space</td> </tr> <tr> <td>0</td> <td>1</td> <td>Negative Pulse</td> </tr> <tr> <td>1</td> <td>0</td> <td>Positive Pulse</td> </tr> <tr> <td>1</td> <td>1</td> <td>Space</td> </tr> </tbody> </table> <p>Pulling pin TDNn high for more than 16 consecutive TCLK clock cycles will configure the corresponding channel into Single Rail mode 1 (see <i>table-1 on Page13</i>).</p>	TDPn	TDNn	Output Pulse	0	0	Space	0	1	Negative Pulse	1	0	Positive Pulse	1	1	Space								
TDPn		TDNn	Output Pulse																								
0		0	Space																								
0		1	Negative Pulse																								
1		0	Positive Pulse																								
1		1	Space																								
TD1/TDP1		30	L2																								
TD2/TDP2		80	L13																								
TD3/TDP3		73	N13																								
TD4/TDP4		108	B13																								
TD5/TDP5		101	D13																								
TD6/TDP6		8	D2																								
TD7/TDP7		1	B2																								
BPV10/TDN0		38	N3																								
BPV11/TDN1		31	L3																								
BPV12/TDN2		79	L12																								
BPV13/TDN3		72	N12																								
BPV14/TDN4	109	B12																									
BPV15/TDN5	102	D12																									
BPV16/TDN6	7	D3																									
BPV17/TDN7	144	B3																									
TCLK0	I	36	N1	<p>TCLKn: Transmit Clock for Channel 0~7 The clock of 2.048 MHz to be transmitted is input on this pin. The transmit data at TDn/TDPn or TDNn is sampled into the device on falling edges of TCLKn.</p> <p>Pulling TCLKn high for more than 16 MCLK cycles, the corresponding transmitter is set into Transmit All One (TAO) state (when MCLK is clocked). In TAO state, the TAO generator adopts MCLK as the time reference.</p> <p>If TCLKn is Low, the corresponding transmit channel is set into power down state, while driver output ports become high impedance.</p> <p>The different operating modes of TCLKn are summarized as follows:</p> <table border="1" style="margin-left: 20px;"> <thead> <tr> <th>MCLK</th> <th>TCLKn</th> <th>Transmitter Mode</th> </tr> </thead> <tbody> <tr> <td>Clocked</td> <td>Clocked</td> <td>Normal operation</td> </tr> <tr> <td>Clocked</td> <td>High (≥ 16 MCLK)</td> <td>Transmit All One (TAO) signals to line side in the corresponding transmit channel.</td> </tr> <tr> <td>Clocked</td> <td>Low (≥ 64 MCLK)</td> <td>Corresponding transmit channel is set into power down state.</td> </tr> <tr> <td rowspan="3">High/Low</td> <td rowspan="3">TCLK1 is clocked</td> <td>TCLKn is clocked</td> <td>Normal operation</td> </tr> <tr> <td>TCLKn is high (≥ 16 TCLK1)</td> <td>Transmit All One (TAO) signals to the line side in the corresponding transmit channel.</td> </tr> <tr> <td>TCLKn is low (≥ 64 TCLK1)</td> <td>Corresponding transmit channel is set into power down state.</td> </tr> <tr> <td>High/Low</td> <td>TCLK1 is not available (High/Low)</td> <td>All eight transmitters (TTIPn & TRINGn) will be in high impedance state.</td> </tr> </tbody> </table>	MCLK	TCLKn	Transmitter Mode	Clocked	Clocked	Normal operation	Clocked	High (≥ 16 MCLK)	Transmit All One (TAO) signals to line side in the corresponding transmit channel.	Clocked	Low (≥ 64 MCLK)	Corresponding transmit channel is set into power down state.	High/Low	TCLK1 is clocked	TCLKn is clocked	Normal operation	TCLKn is high (≥ 16 TCLK1)	Transmit All One (TAO) signals to the line side in the corresponding transmit channel.	TCLKn is low (≥ 64 TCLK1)	Corresponding transmit channel is set into power down state.	High/Low	TCLK1 is not available (High/Low)	All eight transmitters (TTIPn & TRINGn) will be in high impedance state.
MCLK		TCLKn	Transmitter Mode																								
Clocked		Clocked	Normal operation																								
Clocked		High (≥ 16 MCLK)	Transmit All One (TAO) signals to line side in the corresponding transmit channel.																								
Clocked		Low (≥ 64 MCLK)	Corresponding transmit channel is set into power down state.																								
High/Low		TCLK1 is clocked	TCLKn is clocked		Normal operation																						
			TCLKn is high (≥ 16 TCLK1)		Transmit All One (TAO) signals to the line side in the corresponding transmit channel.																						
			TCLKn is low (≥ 64 TCLK1)		Corresponding transmit channel is set into power down state.																						
High/Low	TCLK1 is not available (High/Low)	All eight transmitters (TTIPn & TRINGn) will be in high impedance state.																									
TCLK1	29	L1																									
TCLK2	81	L14																									
TCLK3	74	N14																									
TCLK4	107	B14																									
TCLK5	100	D14																									
TCLK6	9	D1																									
TCLK7	2	B1																									

PIN DESCRIPTION (CONTINUED)

Name	Type	Pin No.		Description
		QFP144	BGA160	
RD0/RDP0 RD1/RDP1 RD2/RDP2 RD3/RDP3 RD4/RDP4 RD5/RDP5 RD6/RDP6 RD7/RDP7	O Tri-state	40 33 77 70 111 104 5 142	P2 M2 M13 P13 A13 C13 C2 A2	RDn: Receive Data for Channel 0~7 In Single Rail mode, the received NRZ data is output on this pin. The data is decoded by AMI or HDB3 line code rule. CVn: Code Violation for Channel 0~7 In Single Rail mode, the bipolar violation, code violation and excessive zeros will be reported by driving pin CVn to high level for a full clock cycle. However, only bipolar violation is indicated when AMI decoder is selected. RDPn/RDNn: Positive/Negative Receive Data for Channel 0~7 In Dual Rail mode with clock recovery, these pins output the NRZ data. A high signal on RDPn indicates the receipt of a positive pulse on RTIPn/RRINGn while a high signal on RDNn indicates the receipt of a negative pulse on RTIPn/RRINGn. The output data at RDn or RDPn/RDNn are valid on the falling edges of RCLK when the CLKE input is in High level, or valid on the rising edges of RCLK when CLKE is Low. In Dual Rail mode without clock recovery, these pins output the raw RZ sliced data. In this data recovery mode, the active polarity of RDPn/RDNn is determined by pin CLKE. When pin CLKE is Low, RDPn/RDNn is active low. When pin CLKE is High, RDPn/RDNn is active high. In hardware mode, RDn or RDPn/RDNn will remain active during LOS. In host mode, these pins will either remain active or insert alarm indication signal (AIS) into the receive path, determined by bit AISE in register GCF (Global Configuration register). RDn or RDPn/RDNn is set into high impedance when the corresponding receiver is power down.
RCLK0 RCLK1 RCLK2 RCLK3 RCLK4 RCLK5 RCLK6 RCLK7	O Tri-state	39 32 78 71 110 103 6 143	P1 M1 M14 P14 A14 C14 C1 A1	RCLKn: Receive Clock for Channel 0~7 In clock recovery mode, this pin outputs the recovered clock from signal received on RTIPn/RRINGn. The received data are clocked out of the device on rising edges of RCLKn if pin CLKE is low, or on falling edges of RCLKn if pin CLKE is high. In data recovery mode, RCLKn is the output of an internal exclusive OR (XOR) which is connected with RDPn and RDNn. The clock is recovered from the signal on RCLKn externally. If receiver n is power down, the corresponding RCLKn is in high impedance.
MCLK	I	10	E1	MCLK: Master Clock This is the independent, free running reference clock. A clock of 2.048 MHz is supplied to this pin as the clock reference of the device for normal operation. In receive path, when MCLK is high, the device slices the incoming bipolar line signal into RZ pulse (Data Recovery mode). When MCLK is low, all the receivers are power down, and the output pins RCLKn, RDPn and RDNn are switched to high impedance. In transmit path, the operation mode is decided by the combination of MCLK and TCLKn (see TCLKn pin description for detail). Note that wait state generation via $\overline{RDY}/\overline{ACK}$ is not available if MCLK is not provided.
LOS0 LOS1 LOS2 LOS3 LOS4 LOS5 LOS6 LOS7	O	42 35 75 68 113 106 3 140	K4 K3 K12 K11 E11 E12 E3 E4	LOSn: Loss of Signal Output for Channel 0~7 A high level on this pin indicates the loss of signal when there is no transition over a specified period of time or hasn't enough ones density in the received signal. The transition will return to low automatically when there is enough transitions over a specified period of time with a certain ones density in the received signal. The LOS assertion and desertion criteria are described in the Functional Description .

PIN DESCRIPTION (CONTINUED)

Name	Type	Pin No.		Description																		
		QFP144	BGA160																			
Hardware/Host Control Mode																						
MODE2	I (Pulled to VDDIO /2)	11	E2	<p>MODE2: Control Mode Select 2 The signal on this pin determines which control mode is selected to control the device:</p> <table border="1"> <thead> <tr> <th>MODE2</th> <th>Control Interface</th> </tr> </thead> <tbody> <tr> <td>Low</td> <td>Control by Hardware mode</td> </tr> <tr> <td>VDDIO/2</td> <td>Control by Serial Host Interface</td> </tr> <tr> <td>High</td> <td>Control by Parallel Host Interface</td> </tr> </tbody> </table> <p>Hardware control pins include $\overline{\text{MODE}}[2:0]$, $\overline{\text{TS}}[2:0]$, $\overline{\text{LOOP}}[7:0]$, $\overline{\text{CODE}}$, $\overline{\text{CLKE}}$, $\overline{\text{JAS}}$ and $\overline{\text{OE}}$. Serial host Interface pins include $\overline{\text{CS}}$, $\overline{\text{SCLK}}$, $\overline{\text{SDI}}$, $\overline{\text{SDO}}$ and $\overline{\text{INT}}$. Parallel host Interface pins include $\overline{\text{CS}}$, $\overline{\text{A}}[4:0]$, $\overline{\text{D}}[7:0]$, $\overline{\text{WR}}/\overline{\text{DS}}$, $\overline{\text{RD}}/\overline{\text{RW}}$, $\overline{\text{ALE}}/\overline{\text{AS}}$, $\overline{\text{INT}}$ and $\overline{\text{RDY}}/\overline{\text{ACK}}$. The device supports multiple parallel host interface as follows (refer to <i>MODE1</i> and <i>MODE0</i> pin descriptions below for details):</p> <table border="1"> <thead> <tr> <th>MODE[2:0]</th> <th>Host Interface</th> </tr> </thead> <tbody> <tr> <td>100</td> <td>Non-multiplexed Motorola mode interface.</td> </tr> <tr> <td>101</td> <td>Non-multiplexed Intel mode interface.</td> </tr> <tr> <td>110</td> <td>Multiplexed Motorola mode interface.</td> </tr> <tr> <td>111</td> <td>Multiplexed Intel mode interface.</td> </tr> </tbody> </table>	MODE2	Control Interface	Low	Control by Hardware mode	VDDIO/2	Control by Serial Host Interface	High	Control by Parallel Host Interface	MODE[2:0]	Host Interface	100	Non-multiplexed Motorola mode interface.	101	Non-multiplexed Intel mode interface.	110	Multiplexed Motorola mode interface.	111	Multiplexed Intel mode interface.
MODE2	Control Interface																					
Low	Control by Hardware mode																					
VDDIO/2	Control by Serial Host Interface																					
High	Control by Parallel Host Interface																					
MODE[2:0]	Host Interface																					
100	Non-multiplexed Motorola mode interface.																					
101	Non-multiplexed Intel mode interface.																					
110	Multiplexed Motorola mode interface.																					
111	Multiplexed Intel mode interface.																					
MODE1	I	43	K2	<p>MODE1: Control Mode Select 1 In parallel host mode, the parallel interface operates with separate address bus and data bus when this pin is Low, and operates with multiplexed address and data bus when this pin is High. In serial host mode and hardware mode, this pin should be grounded.</p>																		
MODE0 /CODE	I	88	H12	<p>MODE0: Control Mode Select 0 In host mode, the parallel host interface is configured for Motorola compatible hosts when this pin is Low, or for Intel compatible hosts when this pin is High.</p> <p>CODE: Line Code Rule Select In hardware control mode, the HDB3 encoder/decoder is enabled when this pin is Low, and AMI encoder/decoder is enabled when this pin is High. The selections affect all the channels.</p> <p>In serial host mode, this pin should be grounded.</p>																		
$\overline{\text{CS}}/\overline{\text{JAS}}$	I (Pulled to VDDIO /2)	87	J11	<p>$\overline{\text{CS}}$: Chip Select (Active Low) In host mode, this pin is asserted low by the host to enable host interface. A transition from High to Low must occur on this pin for each Read/Write operation and the level must not return to High until the operation is over.</p> <p>$\overline{\text{JAS}}$: Jitter Attenuator Select In hardware control mode, this pin globally determines the Jitter Attenuator position:</p> <table border="1"> <thead> <tr> <th>JAS</th> <th>Jitter Attenuator (JA) Configuration</th> </tr> </thead> <tbody> <tr> <td>Low</td> <td>JA in transmit path</td> </tr> <tr> <td>VDDIO/2</td> <td>JA not used</td> </tr> <tr> <td>High</td> <td>JA in receive path</td> </tr> </tbody> </table>	JAS	Jitter Attenuator (JA) Configuration	Low	JA in transmit path	VDDIO/2	JA not used	High	JA in receive path										
JAS	Jitter Attenuator (JA) Configuration																					
Low	JA in transmit path																					
VDDIO/2	JA not used																					
High	JA in receive path																					

PIN DESCRIPTION (CONTINUED)

Name	Type	Pin No.		Description
		QFP144	BGA160	
SCLK /ALE /AS	I	86	J12	<p>SCLK: Shift Clock In serial host mode, the signal on this pin is the shift clock for the serial interface. Data on pin SDO is clocked out on falling edges of SCLK if pin CLKE is Low, or on rising edges of SCLK if pin CLKE is High. Data on pin SDI is always sampled on rising edges of SCLK.</p> <p>ALE: Address Latch Enable In parallel Intel multiplexed host mode, the address on AD[4:0] is sampled into the device on falling edges of ALE (Signals on AD[7:5] are ignored). In non-multiplexed host mode, ALE should be pulled High.</p> <p>AS: Address Strobe (Active Low) In parallel Motorola multiplexed host mode, the address on AD[4:0] is latched into the device on falling edges of AS (Signals on AD[7:5] are ignored). In non-multiplexed host mode, AS should be pulled High.</p> <p><i>(Note: This pin is ignored in hardware control mode.)</i></p>
RD/RW	I	85	J13	<p>RD: Read Strobe (Active Low) In parallel Intel multiplexed or non-multiplexed host mode, this pin is active low for read operation.</p> <p>RW: Read/Write Select In parallel Motorola multiplexed or non-multiplexed host mode, the pin is active low for write operation and high for read operation.</p> <p><i>(Note: This pin is ignored in hardware control mode.)</i></p>
SDI /WR /DS	I	84	J14	<p>SDI: Serial Data Input In serial host mode, this pin input the data to the serial interface. Data on this pin is sampled on rising edges of SCLK.</p> <p>WR: Write Strobe (Active Low) In parallel Intel host mode, this pin is active low during write operation. The data on D[7:0] (in non-multiplexed mode) or AD[7:0] (in multiplexed mode) is sampled into the device on rising edges of WR.</p> <p>DS: Data Strobe (Active Low) In parallel Motorola host mode, this pin is active low. During a write operation ($R/W = 0$), the data on D[7:0] (in non-multiplexed mode) or AD[7:0] (in multiplexed mode) is sampled into the device on rising edges of DS. During a read operation ($R/W = 1$), the data is driven to D[7:0] (in non-multiplexed mode) or AD[7:0] (in multiplexed mode) by the device on rising edges of DS. In parallel Motorola non-multiplexed host mode, the address information on the 5 bits of address bus A[4:0] are latched into the device on the falling edge of DS.</p> <p><i>(Note: This pin is ignored in hardware control mode.)</i></p>
SDO /RDY /ACK	O	83	K14	<p>SDO: Serial Data Output In serial host mode, the data is output on this pin. In serial write operation, SDO is always in High impedance. In serial read operation, SDO is in High impedance only when SDI is in address/command byte. Data on pin SDO is clocked out of the device on falling edges of SCLK if pin CLKE is Low, or on rising edges of SCLK if pin CLKE is High.</p> <p>RDY: Ready Output In parallel Intel host mode, the high level of this pin reports to the host that bus cycle can be completed, while low reports the host must insert wait states.</p> <p>ACK: Acknowledge Output (Active Low) In parallel Motorola host mode, the low level of this pin indicates that valid information on the data bus is ready for a read operation or acknowledges the acceptance of the written data during a write operation.</p>

PIN DESCRIPTION (CONTINUED)

Name	Type	Pin No.		Description																																		
		QFP144	BGA160																																			
$\overline{\text{INT}}$	O Open Drain	82	K13	$\overline{\text{INT}}$: Interrupt (Active Low) This is the open drain, active low interrupt output. Four sources may cause the interrupt (refer to <i>Interrupt Handling of Functional Description</i> for details).																																		
LP7/D7/AD7 LP6/D6/AD6 LP5/D5/AD5 LP4/D4/AD4 LP3/D3/AD3 LP2/D2/AD2 LP1/D1/AD1 LP0/D0/AD0	I/O Tri-State	28 27 26 25 24 23 22 21	K1 J1 J2 J3 J4 H2 H3 G2	<p>LPn: Loopback Select 7~0 In hardware control mode, pin LPn configures the corresponding channel in different loopback mode, as follows:</p> <table border="1"> <thead> <tr> <th>LPn</th> <th>Loopback Configuration</th> </tr> </thead> <tbody> <tr> <td>Low</td> <td>Remote Loopback</td> </tr> <tr> <td>VDDIO/2</td> <td>No Loopback</td> </tr> <tr> <td>High</td> <td>Analog Loopback</td> </tr> </tbody> </table> <p>Refer to <i>Loopback Configuration of Functional Description</i> for details.</p> <p>Dn: Data Bus 7~0 In non-multiplexed host mode, these pins are the bi-directional data bus.</p> <p>ADn: Address/Data Bus 7~0 In multiplexed host mode, these pins are the multiplexed bi-directional address/data bus.</p> <p>In serial host mode, these pins should be grounded.</p>	LPn	Loopback Configuration	Low	Remote Loopback	VDDIO/2	No Loopback	High	Analog Loopback																										
LPn	Loopback Configuration																																					
Low	Remote Loopback																																					
VDDIO/2	No Loopback																																					
High	Analog Loopback																																					
A4 MC3/A3 MC2/A2 MC1/A1 MC0/A0	I	12 13 14 15 16	F4 F3 F2 F1 G3	<p>MCn: Performance Monitor Configuration 4~0 In hardware control mode, A4 must be connected to GND. MC[3:0] are used to select one transmitter or receiver of the channel 1 to 7 for non-intrusive monitoring. Channel 0 is used as the monitoring channel. If a transmitter is monitored, signals on the corresponding pins TTIPn and TRINGn are internally transmitted to RTIP0 and RRING0. If a receiver is monitored, signals on the corresponding pins RTIPn and RRINGn are internally transmitted to RTIP0 and RRING0. The clock and data recovery circuit in receiver 0 can then output the monitored clock to pin RCLK0 as well as the monitored data to RDP0 and RDN0 pins. The signals monitored by channel 0 can be routed to TTIP0/TRING0 by activating the remote loopback in this channel. Performance Monitor Configuration determined by MC[3:0] is shown below. Note that if MC[2:0] = 000, the device is in normal operation of all the channels.</p> <table border="1"> <thead> <tr> <th>MC[3:0]</th> <th>Monitoring Configuration</th> </tr> </thead> <tbody> <tr> <td>0000</td> <td>Normal operation without monitoring</td> </tr> <tr> <td>0001</td> <td>Monitoring receiver 1</td> </tr> <tr> <td>0010</td> <td>Monitoring receiver 2</td> </tr> <tr> <td>0011</td> <td>Monitoring receiver 3</td> </tr> <tr> <td>0100</td> <td>Monitoring receiver 4</td> </tr> <tr> <td>0101</td> <td>Monitoring receiver 5</td> </tr> <tr> <td>0110</td> <td>Monitoring receiver 6</td> </tr> <tr> <td>0111</td> <td>Monitoring receiver 7</td> </tr> <tr> <td>1000</td> <td>Normal operation without monitoring</td> </tr> <tr> <td>1001</td> <td>Monitoring transmitter 1</td> </tr> <tr> <td>1010</td> <td>Monitoring transmitter 2</td> </tr> <tr> <td>1011</td> <td>Monitoring transmitter 3</td> </tr> <tr> <td>1100</td> <td>Monitoring transmitter 4</td> </tr> <tr> <td>1101</td> <td>Monitoring transmitter 5</td> </tr> <tr> <td>1110</td> <td>Monitoring transmitter 6</td> </tr> <tr> <td>1111</td> <td>Monitoring transmitter 7</td> </tr> </tbody> </table> <p>An: Address Bus 4~0 When pin MODE1 is low, the parallel host interface operates with separate address and data bus. In this mode, the signal on this pin is the address bus of the host interface.</p>	MC[3:0]	Monitoring Configuration	0000	Normal operation without monitoring	0001	Monitoring receiver 1	0010	Monitoring receiver 2	0011	Monitoring receiver 3	0100	Monitoring receiver 4	0101	Monitoring receiver 5	0110	Monitoring receiver 6	0111	Monitoring receiver 7	1000	Normal operation without monitoring	1001	Monitoring transmitter 1	1010	Monitoring transmitter 2	1011	Monitoring transmitter 3	1100	Monitoring transmitter 4	1101	Monitoring transmitter 5	1110	Monitoring transmitter 6	1111	Monitoring transmitter 7
MC[3:0]	Monitoring Configuration																																					
0000	Normal operation without monitoring																																					
0001	Monitoring receiver 1																																					
0010	Monitoring receiver 2																																					
0011	Monitoring receiver 3																																					
0100	Monitoring receiver 4																																					
0101	Monitoring receiver 5																																					
0110	Monitoring receiver 6																																					
0111	Monitoring receiver 7																																					
1000	Normal operation without monitoring																																					
1001	Monitoring transmitter 1																																					
1010	Monitoring transmitter 2																																					
1011	Monitoring transmitter 3																																					
1100	Monitoring transmitter 4																																					
1101	Monitoring transmitter 5																																					
1110	Monitoring transmitter 6																																					
1111	Monitoring transmitter 7																																					

PIN DESCRIPTION (CONTINUED)

Name	Type	Pin No.		Description
		QFP144	BGA160	
OE	I	114	E14	OE: Output Driver Enable Pulling this pin to low can make all driver output into high impedance state immediately for redundancy application without external mechanical relays. In this condition, all the other internal circuits remain active.
CLKE	I	115	E13	CLKE: Clock Edge Select The signal on this pin determines the active edge of RCLKn and SCLK in clock recovery mode, or determines the active level of RDPn and RDNn in the data recovery mode. (Refer to Functional Description and Table-2).
JTAG Signals				
TRST	I Pull up	95	G12	TRST: JTAG Test Port Reset (Active Low) This is the active low asynchronous reset to the JTAG Test Port. This pin has an internal pullup resistor and it can be left disconnected.
TMS	I Pull up	96	F11	TMS: JTAG Test Mode Select The signal on this pin controls the JTAG test performance and is clocked into the device on rising edges of TCK. This pin has an internal pullup resistor and it can be left disconnected.
TCK	I	97	F14	TCK: JTAG Test Clock This pin input the clock of the JTAG Test. The data on TDI and TMS are clocked into the device on rising edges of TCK, while the data on TDO is clocked out of the device on falling edges of TCK.
TDO	O Tri-state	98	F13	TDO: JTAG Test Data Output This pin output the serial data of the JTAG Test. The data on TDO is clocked out of the device on falling edges of TCK. TDO is a Tri-state output signal. It is active only when scanning of data is out.
TDI	I Pull up	99	F12	TDI: JTAG Test Data Input This pin input the serial data of the JTAG Test. The data on TDI is clocked into the device on rising edges of TCK. This pin has an internal pullup resistor and it can be left disconnected.
IC	-	93	G13	IC: Internal Connected (Leave it open for normal operation.)
IC	-	94	H13	IC: Internal Connected (Leave it open for normal operation.)
Supplies and Grounds				
VDDIO	-	17 92	G1 G14	3.3V I/O Power Supply
GNDIO	-	18 91	G4 G11	I/O GND
VDDT0 VDDT1 VDDT2 VDDT3 VDDT4 VDDT5 VDDT6 VDDT7	-	44 53 56 65 116 125 128 137	N4,P4 L4,M4 L11,M11 N11,P11 A11,B11 C11,D11 C4,D4 A4,B4	3.3V / 5V Power Supply for Transmitter Driver All VDDT pins must be connected to either 3.3V or 5V. It is not allowed to leave any of the VDDT pins open (not-connected) even if the channel is not used.
GNDT0 GNDT1 GNDT2 GNDT3 GNDT4 GNDT5 GNDT6 GNDT7	-	47 50 59 62 119 122 131 134	N6,P6 L6,M6 L9,M9 N9,P9 A9,B9 C9,D9 C6,D6 A6,B6	Analog GND for Transmitter Driver
VDDD VDDA	-	19 90	H1 H14	3.3V Digital / Analog Core Power Supply
GNDD GNDA	-	20 89	H4 H11	Digital / Analog Core GND

FUNCTIONAL DESCRIPTION

OVERVIEW

The IDT82V2058 is a fully integrated octal short-haul line interface unit, which contains eight transmit and receive channels for use in E1 applications. The receiver performs clock and data recovery. As an option, the raw sliced data (no retiming) can be output to the system. Transmit equalization is implemented with low-impedance output drivers that provide shaped waveforms to the transformer, guaranteeing template conformance. A selectable jitter attenuation may be placed in the receive path or the transmit path. Moreover, multiple testing functions, such as error detection, loopback and JTAG boundary scan are also provided. The device is optimized for flexible software control through a serial or parallel host mode interface. Hardware control is also available. *Figure-1* shows One of the Eight Identical Channels operation.

SYSTEM INTERFACE

The system interface of each channel can be configured to operate in different modes:

1. Single Rail interface with clock recovery.
2. Dual Rail interface with clock recovery.
3. Dual Rail interface with data recovery (that is, with raw data slicing only and without clock recovery).

Therefore, each signal pin on system side has multiple functions depending on which operation mode the device is in.

Dual Rail interface consists of TDPn¹, TDNn, TCLKn, RDPn, RDNn and RCLKn. Data transmitted from TDPn and TDNn appears on TTIPn and TRINGn at the line interface; data received from the RTIPn and RRINGn at the line interface are transferred to RDPn and RDNn while the recovered clock extracting from the received data stream outputs on RCLKn. In Dual Rail operation, the clock/data recovery mode is selectable. Dual Rail interface with clock recovery shown in *Figure-3* is a default configuration mode. Dual Rail interface with data recovery is shown in *Figure-4*. Pin RDPn and RDNn, in this condition,

are raw RZ slice output and internally connected to an EXOR which is fed to the RCLKn output for external clock recovery applications.

In Single Rail mode, data transmitted from TDn appears on TTIPn and TRINGn at the line interface. Data received from the RTIPn and RRINGn at the line interface appears on RDn while the recovered clock extracting from the received data stream outputs on RCLKn. When the device is in Single Rail interface, the selectable AMI or HDB3 line encoder/decoder is available and any code violation in the received data will be indicated at the CVn pin. The Single Rail mode can be divided into 2 sub-modes. Single Rail mode1, whose interface is composed of TDn, TCLKn, RDn, CVn and RCLKn, is realized by pulling pin TDNn to high for more than 16 consecutive TCLK cycles. Single Rail mode 2, whose interface is composed of TDn, TCLKn, RDn, CVn, RCLKn and BPVn, is realized by setting bit CRS in **e-CRS**² and bit SING in **e-SING**. The difference between them is that, in the latter mode bipolar violation can be inserted via pin BPVn if AMI line code is selected.

The configuration of different system interface is summarized in *Table-1*.

CLOCK EDGES

The active edge of RCLK and SCLK(serial interface clock) are also selectable. If pin CLKE is Low, the active edge of RCLK is the rising edge, as for SCLK, that is falling edge. On the contrary, if CLKE is High, the active edge of RCLK is the falling edge and that of SCLK is rising edge. Pins RDn/RDPn, CVn/RDNn and SDO are always active high, and those output signals are valid on the active edge of RCLK and SCLK respectively. See *Table-2* for details. However, in dual rail mode without clock recovery, pin CLKE is used to set the active level for RDPn/RDNn raw slicing output: High for active high polarity and Low for active low. It should be noted that data on pin SDI are always active high and is sampled on the rising edge of SCLK. The data on pin TD/TDP or BPVI/TDN are also always active high but is sampled on the falling edge of TCLK, despite the level on CLKE.

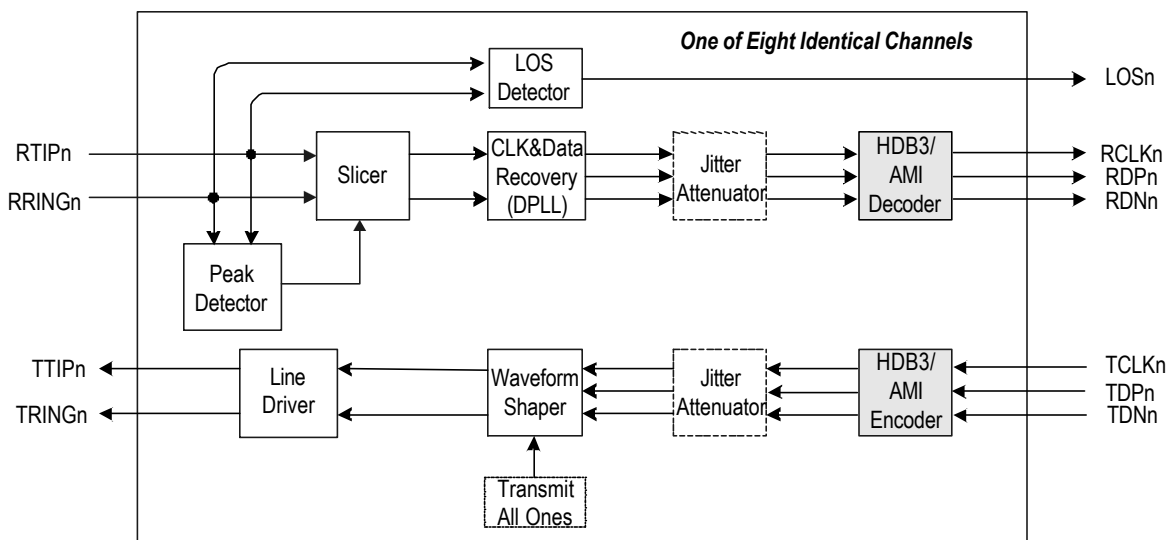


Figure - 3. Dual Rail Interface with Clock Recovery³

NOTE:

1. The footprint 'n' (n = 0 - 7) indicates one of the eight channels
2. The first letter "e-"indicates expanded register.
3. The grey blocks are bypassed and the dotted blocks are selectable

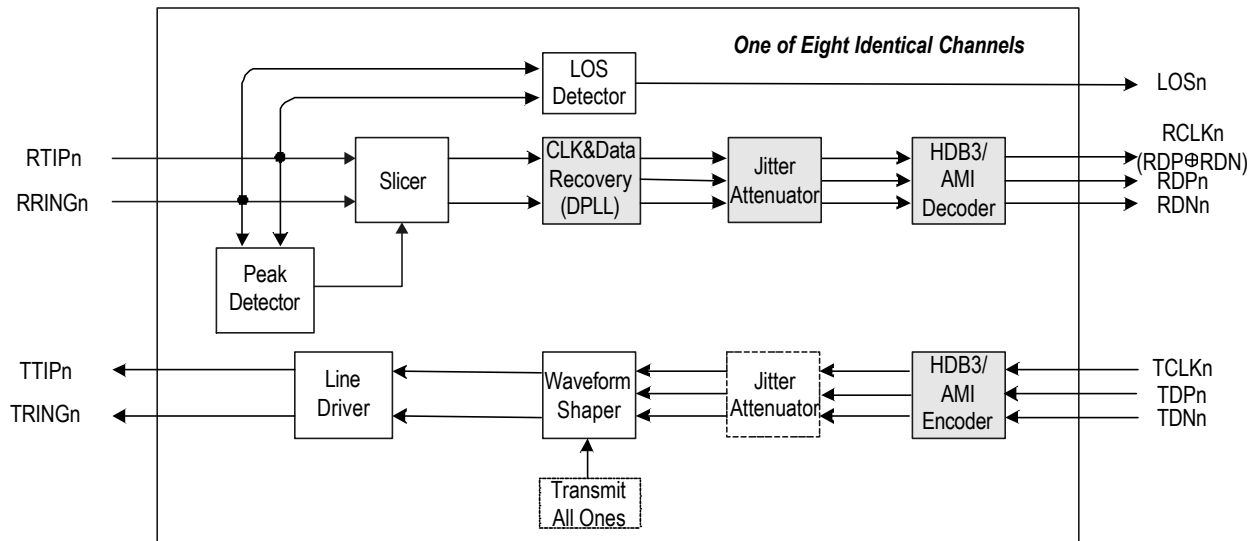


Figure - 4. Dual Rail Interface with Data Recovery

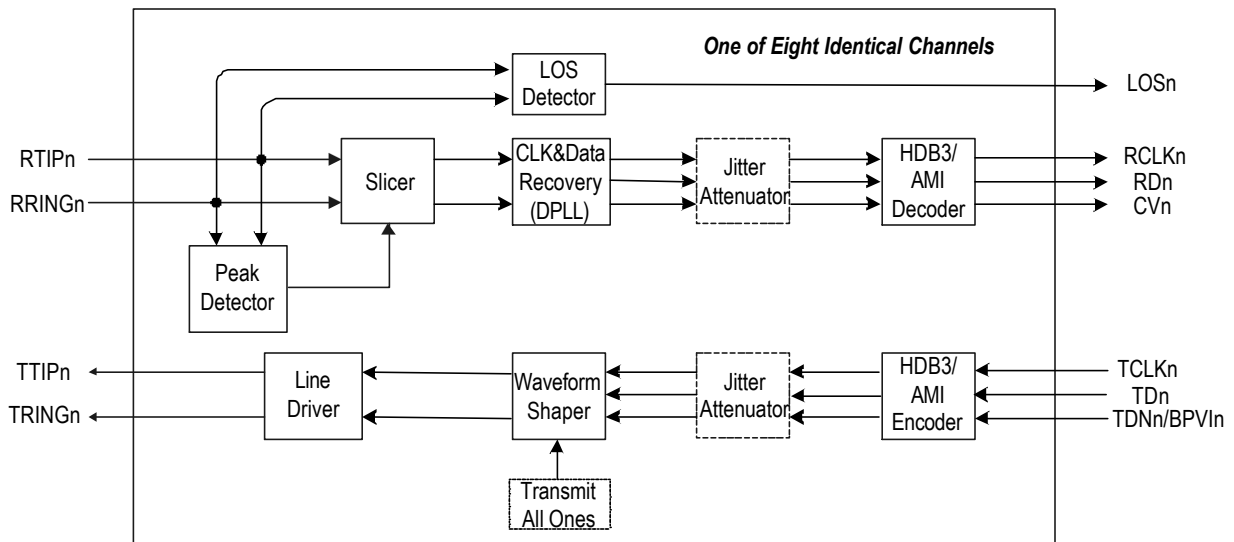


Figure - 6. Single Rail Mode


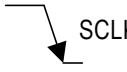
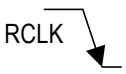
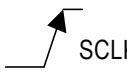
TABLE - 1a. SYSTEM INTERFACE CONFIGURATION (Host Mode)

Host Mode				
MCLK	TDNn	CRSn in e-CRS	SINGn in e-SING	Interface
clocked	H	0	0	Single Rail mode 1
clocked	pulse	0	1	Single Rail mode 2
clocked	pulse	0	0	Dual Rail with Clock Recovery
clocked	pulse	1	0	Dual Rail with Data Recovery
H	pulse	-	-	Receive just slice the incoming data. Transmit is determined by the status of TCLKn.
L	pulse	-	-	Receive is power down. Transmit is determined by the status of TCLKn.

TABLE - 1b. SYSTEM INTERFACE CONFIGURATION (Hardware Mode)

Hardware Mode		
<i>MCLK</i>	<i>TDNn</i>	<i>Interface</i>
clocked	H (≥ 16 MCLK)	Single Rail mode 1
clocked	pulse	Dual Rail with Clock Recovery
H	pulse	Receive just slice the incoming data. Transmit is determined by the status of TCLKn.
L	pulse	Receive is power down. Transmit is determined by the status of TCLKn.

TABLE - 2. ACTIVE CLOCK EDGE AND ACTIVE LEVEL

Pin CLKE	RD/RDP and CV/RDN		SDO		
	Clock recovery		Slicer output		
Low		Active High	Active Low	 SCLK	Active High
High		Active High	Active High	 SCLK	Active High

RECEIVER

In receive path, the line signals couple into RRINGn and RTIPn via a transformer and are converted into RZ digital pulses by a data slicer. Adaptation for attenuation is achieved using an integral peak detector that sets the slicing levels. Clock and data are recovered from the received RZ digital pulses by a digital phase-locked loop that provides excellent jitter accommodation. After passing through the selectable jitter attenuator, the recovered data are decoded using HDB3 or AMI line code rules and clocked out of pin RDn in single rail mode, or presented on RDPn/RDNn in an undecoded dual rail NRZ format. Loss of signal, alarm indication signal, line code violations and excessive zero are detected. These various changes in status may be enabled to generate interrupts.

Peak Detector and Slicer

The slicer determines the presence and polarity of the received pulses. In data recovery mode, the raw positive slicer output appears on RDPn while the negative slicer output appears on RDNn. In clock and data recovery mode, the slicer output is sent to Clock and Data Recovery circuit for abstracting retimed data and optional decoding. The slicer circuit has a built-in peak detector from which the slicing threshold is derived. The slicing threshold is default to 50% (typical) of the peak value.

Signals with an attenuation of up to 12 dB (from 2.4V) can be recovered accurately by the receiver. To provide immunity from impulsive noise, the peak detectors are held above a minimum level of 0.150 V typically, despite the received signal level.

Clock and Data Recovery

The function of Clock and Data Recovery is accomplished by Digital Phase Locked Loop (DPLL). The DPLL is clocked 16 times of the received clock rate, i.e. 32.768 MHz in E1 mode. The recovered data and clock from DPLL is then sent to the selectable Jitter Attenuator or decoder circuit for further processing.

The clock recovery and data recovery mode can be selected on per channel basis by setting the bit CRSn in **e-CRS**. When bit CRSn is defaulted to '0', the corresponding channel operates in data and clock recovery mode. The recovered clock is output on pin RCLKn and retimed NRZ data are output on pin RDPn/RDNn in dual rail mode or on RDn in single rail mode. When CRSn is '1', dual rail with data recovery mode is enabled in the corresponding channel and the clock recovery function is bypassed. In this condition, the analog line signal are converted to RZ digital bit streams on the RDPn/RDNn pins and internally connected to an EXOR which is fed to the RCLKn output for external clock recovery applications.

Moreover, Pulling MCLK to H level, all the receivers will enter the dual rail with data recovery mode. In this case, **e-CRS** is ignored.

HDB3/AMI Line Code Rule

Selectable HDB3 or AMI line coding/decoding is provided when the device is configured in single rail mode. HDB3 rules is enabled by setting bit CODE in register **GCF** (global control configuration) to '0' or pulling pin CODE to Low. AMI rule is enabled by setting bit CODE in **GCF** to '1' or pulling pin CODE to High. All the setting above are effected to eight channels.

Individual line code rule selection for each channel, if need, is available by setting bit SINGn in **e-SING** to '1' (to activate bit CODEn in **e-CODE**) and programming bit CODEn to select line code rules in the corresponding channel: '0' for HDB3, while '1' for AMI. In this case, the value in bit CODE in **GCF** or pin CODE for global control is unaffected in the corresponding channel and only affect in other channels.

In dual rail mode, the decoder/encoder are bypassed. Bit CODE in **GCF**, bit CODEn in **e-CODE** and pin CODE are ignored.

The configuration of the Line Code Rule is summarized in *Table-3*.

TABLE - 3. CONFIGURATION OF THE LINE CODE RULE

Hardware Mode		Host Mode			
CODE	Line Code Rule	CODE in GCF	CODEn in e-CODE	SINGn in e-SINGn	Line Code Rule
L	All channels in HDB3	0	0 / 1	0	All channels in HDB3
		0	0	1	
H	All channels in AMI	1	0 / 1	0	All channels in AMI
		1	1	1	
		0	1	1	CHn in AMI
		1	0	1	CHn in HDB3

TABLE - 4. LOS CONDITION IN CLOCK RECOVERY MODE

		STANDARD		Signal on pin LOSn
		G.775 for E1	ETSI 300233 for E1	
LOS Detected	Continuous Intervals	32	2048 (1 ms)	H
	Amplitude	below typ. 310mV (Vpp)	below typ. 310mV (Vpp)	
LOS Cleared	Density	12.5% (4 marks in a sliding 32-bit period) with no more that 15 continuous zeros	12.5% (4 marks in a sliding 32-bit period) with no more than 15 continuous zeros	L
	Amplitude	exceed typ. 540mV (Vpp)	exceed typ. 540mV (Vpp)	

Loss of Signal (LOS) Detection

The Loss of Signal Detector monitors the amplitude and density of the received signal on Receiver line before the transformer (measured on port A, B in Figure 12). The loss condition is reported by pulling pin LOSn to high. In the same time, LOS alarm registers track LOS condition. When LOS detected or cleared, an interrupt will generate if not masked. In host mode, the detection supports the ITU-G.775 and ETSI 300233. In hardware mode, it only supports the ITU-G.775 specification.

Table-4 summarizes the conditions of LOS in clock recovery mode.

In data recovery mode, the LOS condition is cleared upon detecting the signal level exceeds 540mV.

During LOS, the RDPn/RDNn output the sliced data when bit

AISE(Alarm Indication Signal Enable) in register GCF is 0 or output all ones as AIS (Alarm Indication Signal) when bit AISE is set to 1; The RCLKn is replaced by MCLK only if the AISE is set.

Alarm Indication Signal Detection (AIS)

Alarm Indication Signal is available only in host mode with clock recovery, as Table-5 shows.

Error Detection

The device can detects excessive zero, bipolar violations and HDB3 code violations, refer to figure-7, 8, 9. All the three kinds of errors are reported in both host mode and hardware mode with HDB3 line code rule is used. Moreover, in host mode, the expanded registers e-CZER and e-CODV are used to determine whether the exces-

TABLE - 5. AIS CONDITION

	ITU G.755 for E1 (register LAC defaulted to 0)	ETSI 300233 for E1 (register LAC is 1)
AIS Detected	Less than 3 zeros contained in each of two consecutive 512-bit stream are received	Less than 3 zeros contained in a 512-bit stream are received
AIS Cleared	3 or more zeros contained in each of two consecutive 512-bit stream are received	3 or more zeros contained in a 512-bit stream are received

TABLE - 6. ERROR DETECTION

Hardware Mode		Host Mode			
Line Code	Pin CVn Reports	Line Code	CODVn in e-CODV	CZERn in e-CZER	Pin CVn Reports
AMI	Bipolar Violation	AMI	-	-	Bipolar Violation
HDB3	Bipolar Violation + Code Violation + Excessive Zero	HDB3	0	0	Bipolar Violation + Code Violation
			0	1	Bipolar Violation + Code Violation + Excessive Zero
			1	0	Bipolar Violation
			1	1	Bipolar Violation + Excessive Zero

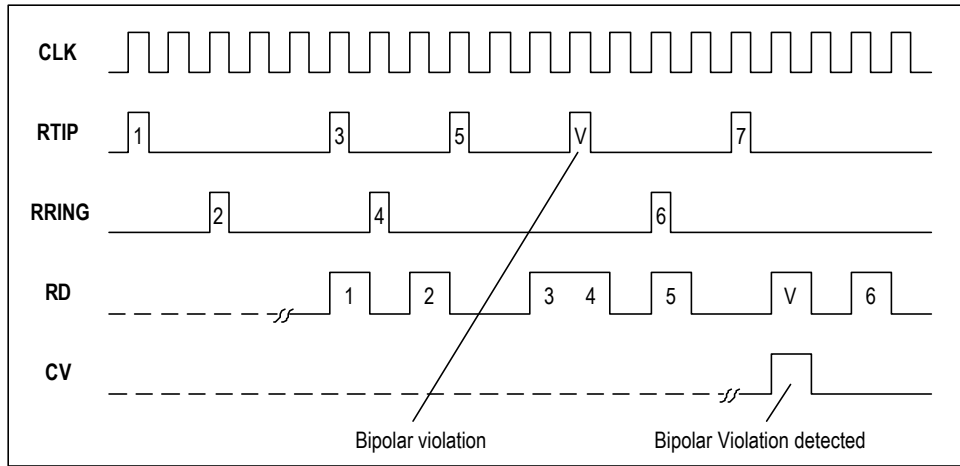


Figure - 7. AMI Bipolar Violation

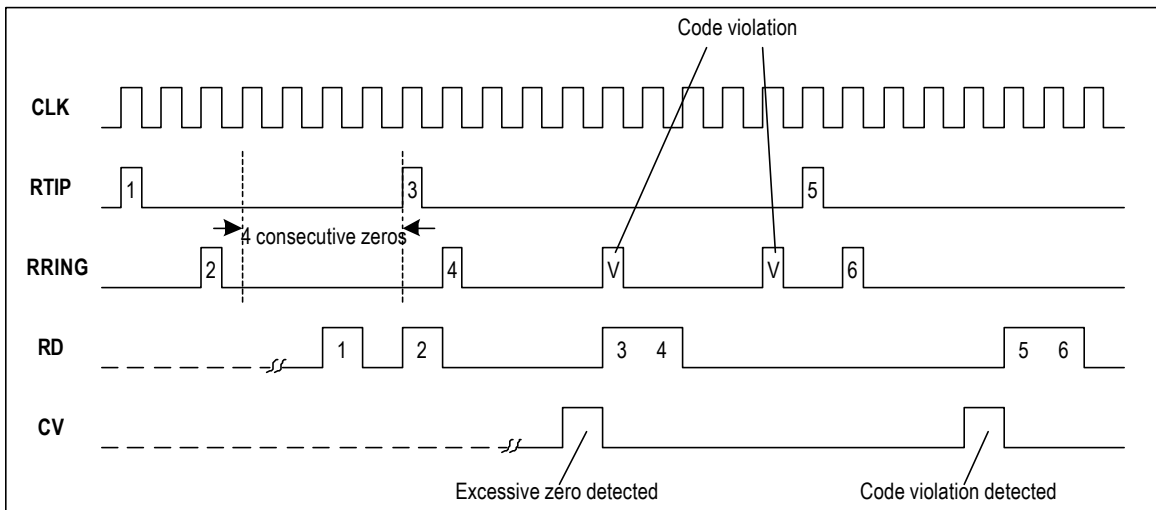


Figure - 8. HDB3 Code Violation & Excessive Zero

sive zero and code violation are reported respectively. When configured in AMI decoding mode, only bipolar violation can be reported.

The error detection is available only in single rail mode where the pin RDNn/CVn is used as error report output (CVn pin).

The configuration and report status of error detection are summarized in Table-6.

TRANSMITTER

In transmit path, data in NRZ (non return to zero) format are clocked into the device on TDn and encoded by AMI or HDB3 line code rules when single rail mode is configured or pre-encoded data in NRZ format are input on TDPn and TDNn when dual rail mode is configured. The data are sampled into the device on falling edges of TCLKn. Jitter attenuator, if enabled, is provided with a FIFO which the data to be transmitted are passing through. A low jitter clock is generated by an integral digital phase-locked loop and is used to read data from the FIFO. The shape of the pulses should meet the E1 pulse template after the signal is passed through different cable types. Bipolar violation, for diagnosing, can be inserted on pin BPVn if AMI line code rule is enabled.

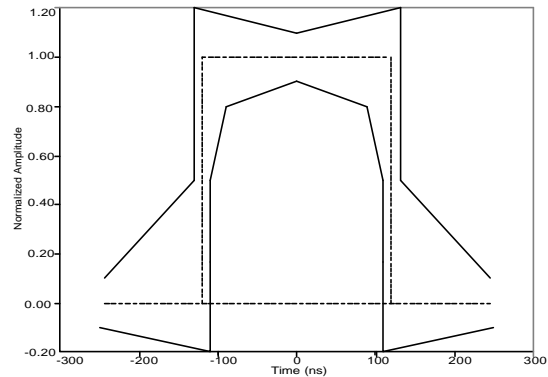


Figure - 9. CEPT Waveform Template

Waveform Shaper

E1 pulse template, specified in ITU-T G.703, is shown in Figure-9. The device has built-in transmit waveform templates for cable of 75Ω or 120Ω.

The built-in waveform shaper use an internal high frequency clock which is 16XMCLK as clock reference. This function will be bypassed when MCLK is unavailable.

Bipolar Violation Insertion

When configured in single rail mode 2 with AMI line code enabled, pin TDNn/BPVIn is used as BPVI input. A low-to-high transition on this pin inserts a bipolar violation on the next available mark in the transmit data stream. Sampling occurs on the falling edge of TCLK. But in TAOS with analog loopback mode and remote loopback mode, the BPVI is disabled. In TAOS with digital loopback mode, the BPVI is looped back to system side, so the data to be transmitted on TTINGn and TRINGn are all ones with no bipolar violation.

JITTER ATTENUATOR

The jitter attenuator is provided for narrow-band width jitter transfer and can be selected to work either in transmit path or in receive path or not used. The selection is accomplished by setting pin JAS in hardware mode or configuring bits JACF1 and JACF0 in register GCF in host mode which are both effected to all the channels.

For applications which require line synchronization, the line clock is need to be extracted for the internal synchronization, the jitter attenuator is set in the receive path. Another use of the jitter attenuator is to provide clock smoothing in the transmit path for applications such as synchronous/asynchronous demultiplexing applications. In these applications, TCLK will have an instantaneous frequency that is higher than the nominal E1 data rate and in order to set the average long-term TCLK frequency within the transmit line rate specifications, periods of TCLK are suppressed (gapped).

The jitter attenuator integrates a FIFO which can accommodate a gapped TCLK. In host mode, the FIFO length can be 32 X 2 or 64 X 2 bits by programming bit JADP in GCF. In hardware mode, it is fixed to 64 X 2 bits. The FIFO length determines the maximum permissible gap width (see table-7), exceeding these values will cause FIFO overflow or underflow. The data is 16 or 32 bits' delay through the jitter

attenuator in the corresponding transmit or receive path. The constant delay feature is crucial for the applications requiring "hitless" switching.

In host mode, bit JABW in GCF determines the jitter attenuator 3dB corner frequency (fc). In hardware mode, the fc is fixed to 1.7Hz. Generally, the lower the fc is, the higher the attenuation. However, lower fc comes at the expense of increased acquisition time. Therefore, the optimum fc is to optimize both the attenuation and the acquisition time. In addition, the longer FIFO length results in an increased throughput delay and also influences the 3dB corner frequency. Generally, it's recommended to use the lower corner frequency and the shortest FIFO length that can still meet jitter attenuation requirements.

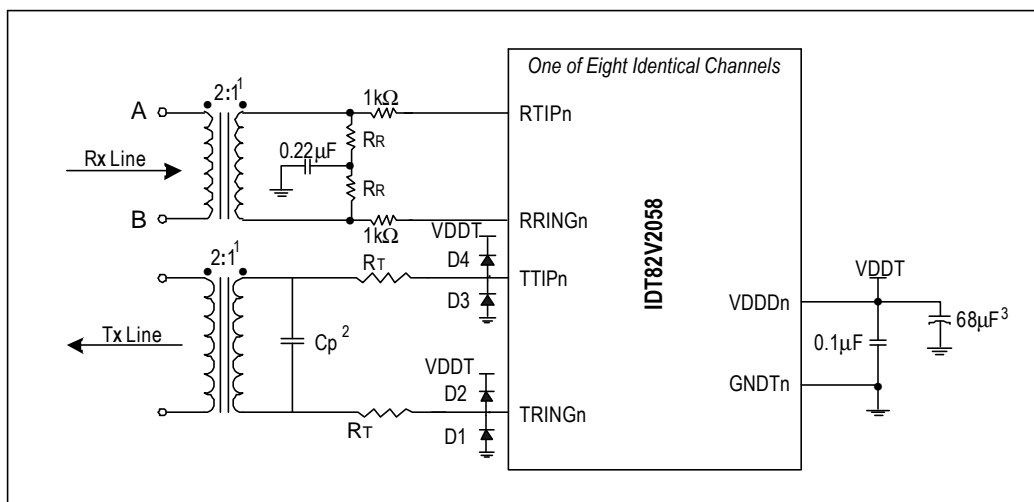
The output jitter specifications include: ITU-T G.736, ITU-T G.742, ITU-T G.783 and ETSI CTR 12/13.

TABLE - 7. GAP WIDTH LIMITATION

FIFO Length	Max. Gap Width
64 bit	56 UI
32 bit	28 UI

TABLE - 8. EXTERNAL COMPONENTS VALUES

Component	75W Coax	120W Twisted Pair
R _T	9.5Ω ± 1%	9.5Ω ± 1%
R _R	9.31Ω ± 1%	15Ω ± 1%
C _p	2200pf	
D1 – D4	Nihon Inter Electronics - EP05Q03L, 11EQS03L, EC10QS04, EC10QS03L Motorola – MBR0540T1	



NOTE:

1. Pulse T1124 transformer is recommended to use in Standard (STD) operating temperature range (0° to 70°C), while Pulse T1114 transformer is recommended to use in Extended (EXT) operating temperature range is -40° to +85°C. See Transformer Specifications Table for details.
2. Typical value. Adjust for actual board parasitics to obtain optimum return loss.
3. Common decoupling capacitor for all VDDT and GNDT pins.

Figure - 10. External Transmit/Receive Line Circuitry

TABLE - 9. TRANSFORMER SPECIFICATIONS

Electrical Specification @ 25 °C										
Part No.		Turns Ratio (Pri: sec±2%)		OCL @ 25°C (mH MIN)		L _L (μH MAX)		C _{www} (pF MAX)		Package/ Schematic
STD Temp.	EXT Temp.	Transmit	Receive	Transmit	Receive	Transmit	Receive	Transmit	Receive	
T1124	T1114	1:2CT	1CT:2	1.2	1.2	.6	.6	35	35	TOU/3

cally.

LINE INTERFACE CIRCUITRY

The transmit and receive interface RTIP/RRING and TTIP/TRING connections provide a matched interface to the cable. *Figure-12* shows the appropriate external components to connect with the cable for one transmit/receive channel. *Table-8* summarizes the component values based on the specific application.

TRANSMIT DRIVER POWER SUPPLY

The nominal transmit driver power supply must be 5.0V or 3.3V. Despite of the power supply voltage, the 75Ω/120Ω lines are driven through 9.5Ω series resistors and a 1:2 transformer. However, in harsh cable environment, series resistors are required to improve the transmit return loss performance and protect the device from surges coupling into the device.

SHORT CIRCUIT MONITOR

An internal Short Circuit Monitor (SCM), parallelly connected with TTIP_n and TRING_n, can detect short circuit in the transmit line side. Bit SCPB in Register GCF decides whether the output driver short-circuit protection is enabled. (Refer to *Programming Information*). When it is enabled, the max driver’s output current is limited to 150mA.

LINE PROTECTION

In transmit side, the Schottky diodes D1~D4 are required to protect the line driver and improve the design robustness. In receive side, the series resistors of 1kΩ are used to protect the receiver against current surges coupled in the device. It does not affect the receiver sensitivity, since the receiver impedance is as high as 120kΩ typi-

HITLESS PROTECTION SWITCHING (HPS)

The IDT82V2048 transceivers include an output driver tristatability feature for T1/E1 redundancy applications. This feature greatly reduces the cost of implementing redundancy protection by eliminating external relays. Details of HPS will be described in relative Application Note.

RESET

Writing register RS can cause software reset by initiating about 1μs reset cycle. This operation set all the registers to their default value.

POWER UP

During power up, an internal reset signal sets all the registers to default values. This procedure takes at least 2 machine cycles.

POWER DOWN

Each transmitter channel will power down by pulling pin TCLKn to low for more than 64 MCLK cycles (if MCLK is available) or about 30us (when MCLK is not available). Each transmitter channel will also power down by setting bit TPDNn in e-TPDN to 1. All the receivers will power down when MCLK is Low. When MCLK is clocked or High, setting bit RPDNn in e-RPDN to ‘1’ will configure the corresponding receiver to power down.

INTERFACE WITH 5V LOGIC

The IDT82V2048 can interface directly with 5V TTL family devices. The internal input pads are tolerant to 5V output from TTL and CMOS family devices.

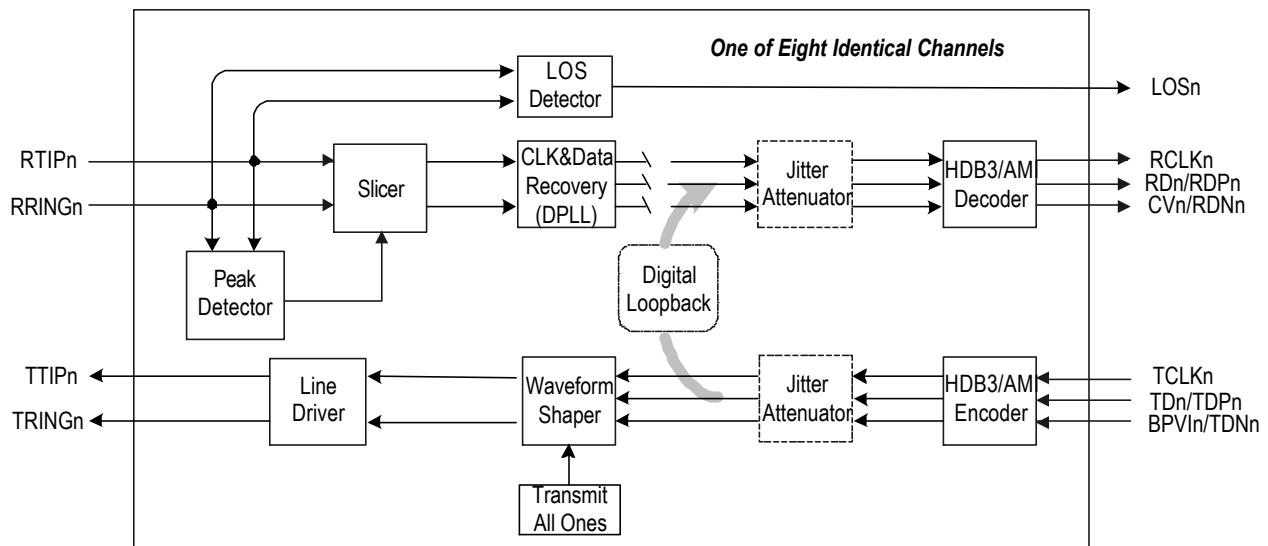


Figure - 11. Digital Loopback

LOOPBACK MODE

The device provides four different diagnostic loopback configurations: Digital Loopback, Analog Loopback, Remote Loopback and Dual Loopback. In host mode, these functions are implemented by programming the registers **DLB**, **ALB** or **RLB**. In hardware mode, only analog loopback and remote loopback can be selected by pulling pin LPn to High and Low respectively.

Digital Loopback

By programming the bits of register **DLB**, each channel of the device can be set in Local Digital Loopback. In this configuration, the data and clock to be transmitted, after passing the encoder, is looped back to jitter attenuator (if enabled) and decoder in the receive path, then output on RCLKn, RDn/RDPn and CVn/RDNn. The data to be transmitted are still output on TTIPn and TRINGn while the data received on RTIPn and RRINGn are ignored. The Loss Detector is still in use. *Figure-11* shows the process.

Analog Loopback

By programming the bits of **ALB** register or pulling pin LPn to High, each channel of the device can be set in Analog Loopback. In this configuration, the data to be transmitted output from the line driver are internally looped back to the slicer and peak detector in the receive path and output on RCLKn, RDn/RDPn and CVn/RDNn. The data to be transmitted are still output on TTIPn and TRINGn while the data received on RTIPn and RRINGn are ignored. The Loss Detector is still in use. *Figure-12* shows the process.

The TTIPn and RTIPn, TRINGn and RRINGn cannot be connected directly to do the external analog loopback test. Line impedance loading is required to conduct the external analog loopback test.

Remote Loopback

By programming the bits of **RLB** register or pulling pin LPn to Low, each channel of the device can be set in Remote Loopback. In this configuration, the data and clock recovered by the Clock and Data Recovery circuits are looped to waveform shaper and output on TTIPn and TRINGn. The jitter attenuator is also included in loopback when enabled in the transmit or receive path. The received data and clock are still output on RCLKn, RDn/RDPn and CVn/RDNn while the data to be transmitted on TCLKn, TDn/TDPn and BPVIn/TDNn are ignored. The Loss Detector is still in use. *Figure-13* shows the process.

Dual Loopback

Dual Loopback mode is set by setting both bit DLBn in register **DLB** and bit RLBn in register **RLB** to '1'. In this configuration, after passing the encoder, the data and clock to be transmitted are looped back to decoder directly and output on RCLKn, RDn/RDPn and CVn/RDNn. The recovered data from RTIPn and RRINGn are looped back to waveform shaper through JA (if selected) and output on TTIPn and TRINGn. The Loss Detector is still in use. *Figure-14* shows the process.

Transmit All Ones

In hardware mode, the TAOS mode is set by pulling TCLKn High for more than 16 MCLK cycles. In host mode, TAOS mode is set by programming register **TAO**. In addition, automatic TAO signals are inserted by setting register **ATAO** when Loss of Signal occurs. Note that the TAOS generator adopts MCLK as a timing reference. In order to assure that the output frequency is within specification limits, MCLK must have the applicable stability.

This TAOS mode and Digital Loopback or Analog Loopback can be configured simultaneously. *Figure-15* shows their process.

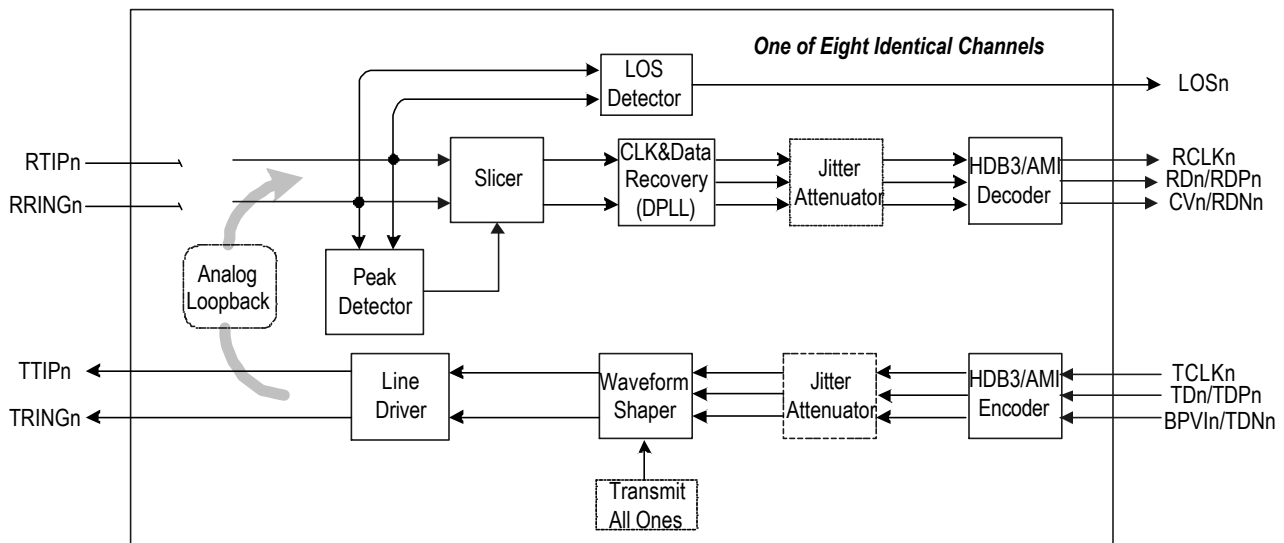


Figure - 12. Analog Loopback

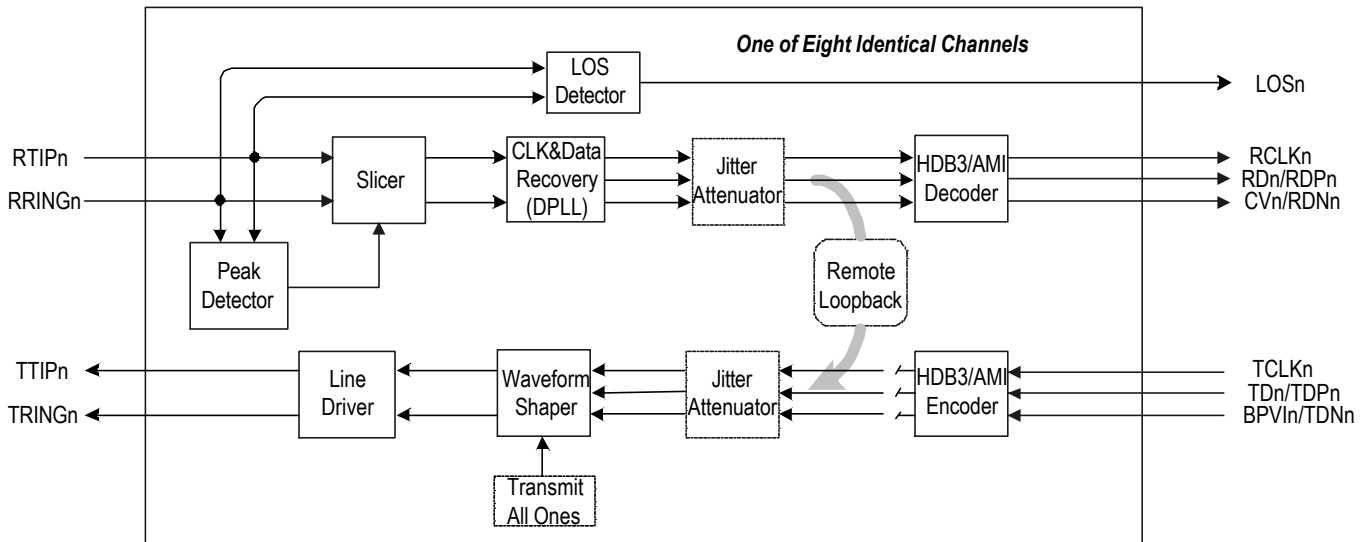


Figure - 13. Remote Loopback

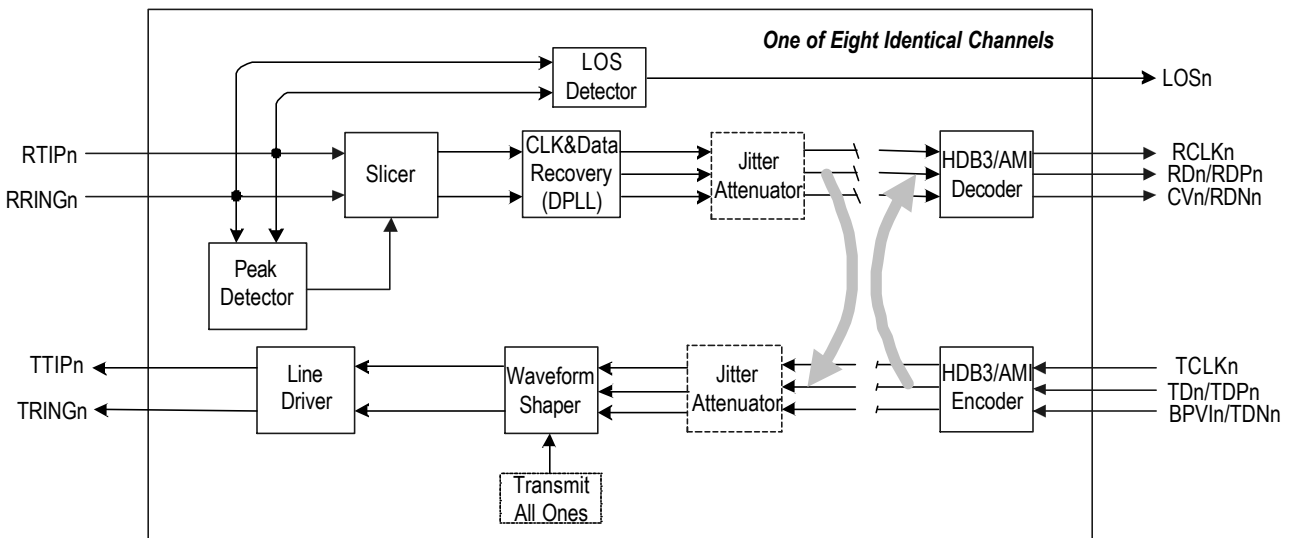


Figure - 14. Dual Loopback

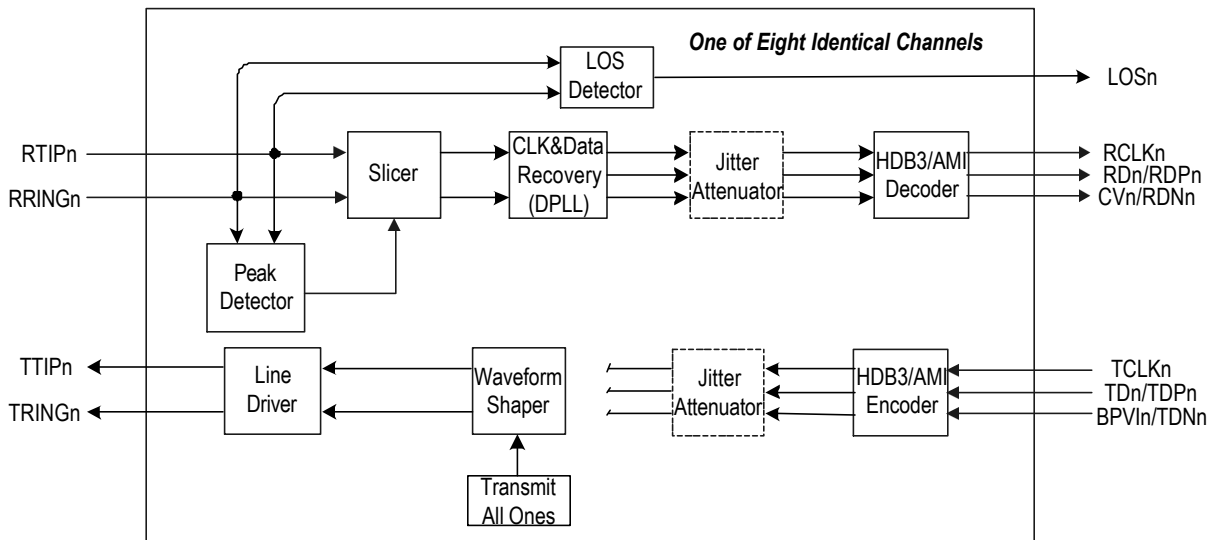


Figure - 15a. TAOS Data Path

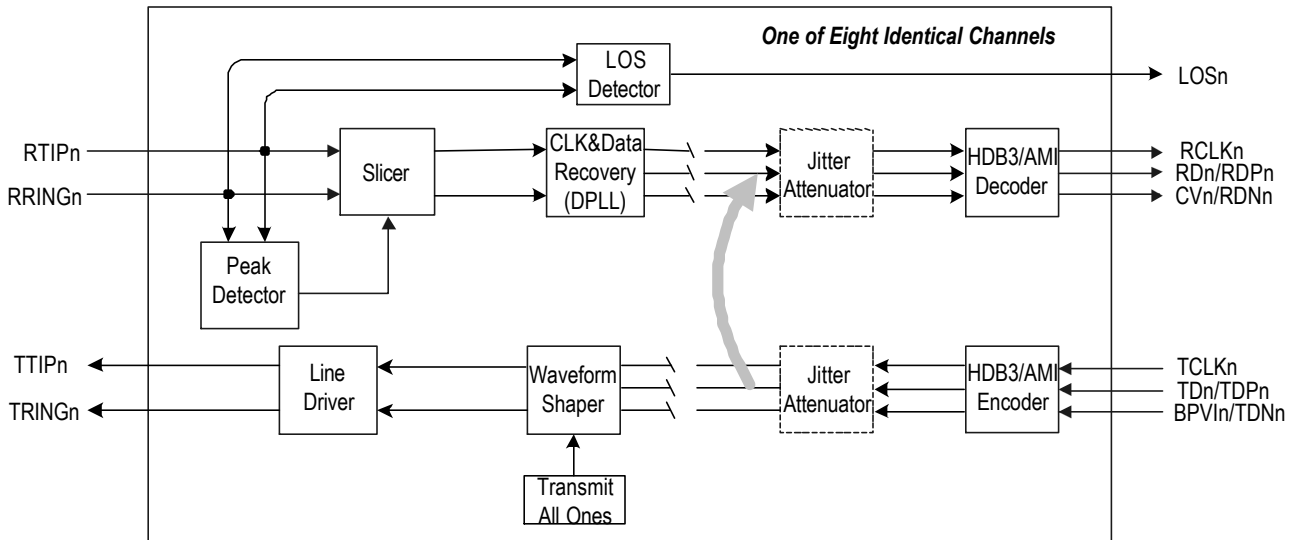


Figure - 15b. TAOS with Digital Loopback

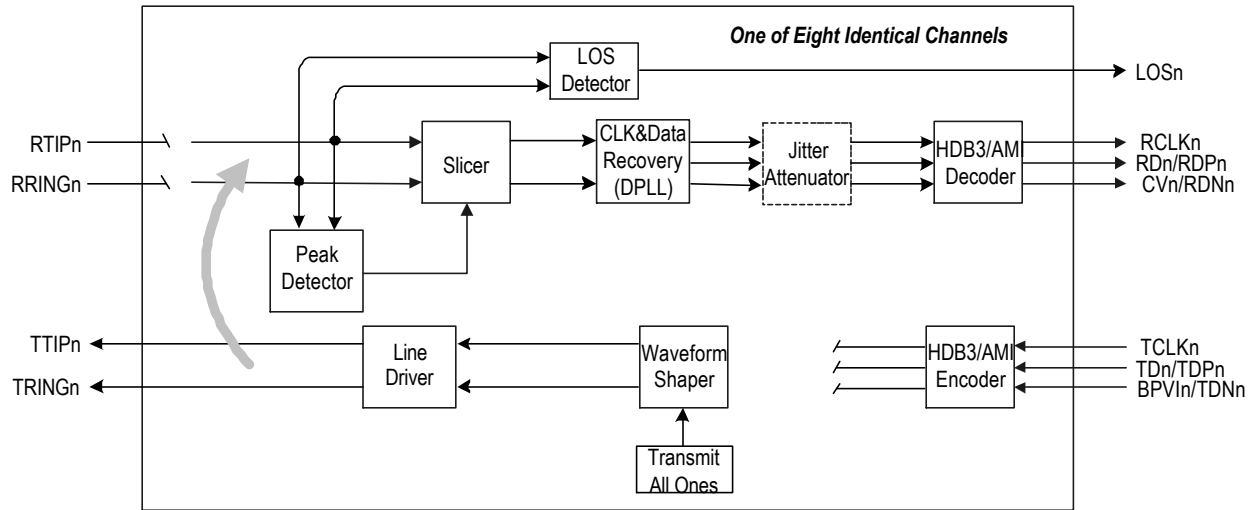


Figure - 15c. TAOS with Analog Loopback

HOST INTERFACES

The host interface provides access to read and write the registers in the device. The interface consists of serial host interface and parallel host interface. By pulling pin MODE2 to VDDIO/2 or to High, the device can be set to work in serial mode and in parallel mode respectively.

Parallel Host Interface

The interface is compatible with Motorola or Intel host. Pins MODE1 and MODE0 are used to select the operating mode of the parallel host interface. When pin MODE1 is pulled to Low, the host uses separate address bus and data bus. When High, multiplexed address/data bus is used. When pin MODE0 is pulled to Low, the parallel host interface is configured for Motorola compatible hosts. When High, for Intel compatible hosts. This is well described in the **Pin Description**. The host interface pins in each operation mode is tabulated in *Table-10*.

Serial Host Interface

By pulling pin MODE2 to VDDIO/2, the device operates in the serial host Mode. In this mode, the registers are accessible through a 16-bit word which contains an 8-bit command/address byte (bit R/W and 5-address-bit A1~A5, A6 and A7 are ignored) and a subsequent 8-bit data byte (D0~D7). When bit R/W is 1, data is read out at pin SDO. When bit R/W is 0, data is written into pin SDI to the register which is indicated by address bits A5~A1.

INTERRUPT HANDLING

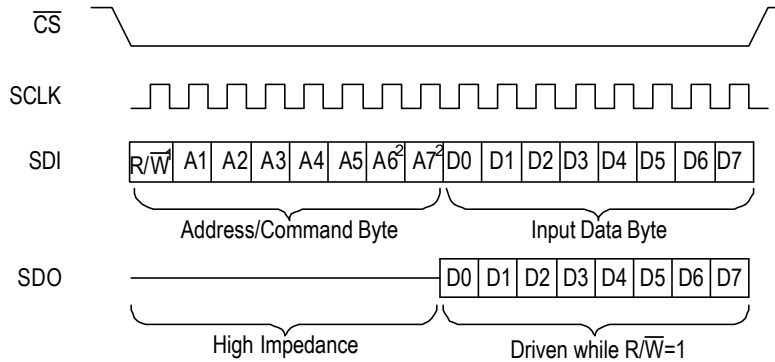
Interrupt Sources

There are three kinds of interrupt sources:

1. Status change in the **LOS** (Loss of Signal) Status Register(04H). The analog/digital loss of signal detector continuously monitors the received signal to update the specific bit in **LOS** which indicates presence or absence of a LOS condition.

TABLE - 10. PARALLEL HOST INTERFACE PINS

MODE[2:0]	Host interface	Generic control, data, and output pin name
100	Non-multiplexed Motorola interface	\overline{CS} , \overline{ACK} , \overline{DS} , R/\overline{W} , \overline{AS} , A[4:0], D[7:0], \overline{INT}
101	Non-multiplexed Intel interface	\overline{CS} , \overline{RDY} , \overline{WR} , \overline{RD} , \overline{ALE} , A[4:0], D[7:0], \overline{INT}
110	Multiplexed Motorola interface	\overline{CS} , \overline{ACK} , \overline{DS} , R/\overline{W} , \overline{AS} , AD[7:0], \overline{INT}
111	Multiplexed Intel interface	\overline{CS} , \overline{RDY} , \overline{WR} , \overline{RD} , \overline{ALE} , AD[7:0], \overline{INT}



NOTE:
 1. While $R/\overline{W}=1$, read from IDT82V2058; While $R/\overline{W}=0$, write to IDT82V2058.
 2. Ignored.

Figure - 16. Serial Host Mode Timing

2. Status change in the **SC** (Short Circuit) Status Register(05H). The automatic power driver circuit continuously monitors the output drivers signal to update the specific bit in **SCM** which indicates presence or absence of the transmit line side short circuit condition.

3. Status change in the **AIS** (Alarm Indication Signal) Status Register(13H). The AIS detector monitors the received signal to update the specific bit in **AIS** which indicates presence or absence of a AIS condition.

Interrupt Enable

The IDT82V2058 provides a latched interrupt output (\overline{INT}) and the three kinds of interrupts are all reported by this pin. When the Interrupt Mask register (**LOSM**, **SCM** and **AISM**) is set to '1', the Interrupt Status register (**LOSI**, **SCI** and **AISI**) is enabled respectively. Whenever there is a transition ('0' to '1' or '1' to '0') in the corresponding Status register, the Interrupt Status register will change into '1', which means an interrupt occurs, and there will be a transition from high to low on \overline{INT} . An external pull-up resistor of approximately 10k Ω is required to support the wire-OR operation of \overline{INT} . When any of the three Interrupt Mask registers is set to '0' (the power-on default value is '0'), the corresponding Interrupt Status register is disabled and the transition on status register is ignored.

Interrupt Clearing

When an interrupt occurs, the Interrupt Status registers (**LOSI**, **SCI** and **AISI**) are read to identify the interrupt source. And these registers will be cleared to '0' after the corresponding Status register (**LOS**, **SC** and **AIS**) being read. The Status registers will be cleared once the corresponding conditions are met.

Pin \overline{INT} is pulled High when there are no pending interrupt left. The interrupt handling in the interrupt service routine is showed Fig-ure-17.

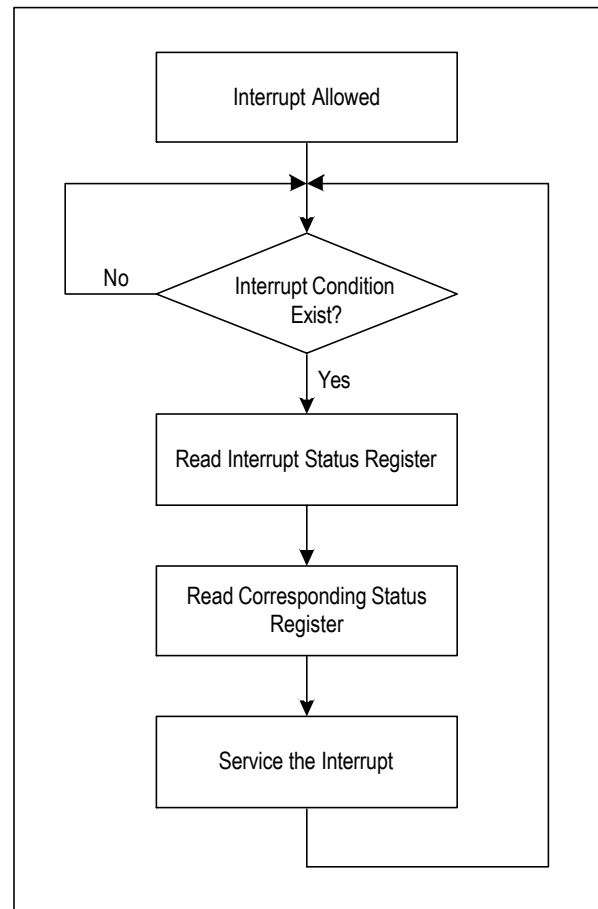


Figure - 17. Interrupt Service Routine

G.772 MONITORING

The eight channels of IDT82V2058 can all be configured to work as regular transceivers. In applications using only seven channels (channels 1 to 7), channel 0 is configured to non-intrusively monitor any of the other channels' inputs or outputs on the line side. The monitoring is non-intrusive per ITU-T G.772. Figure-17 shows the Monitoring Principle. The receiver or transmitter path to be monitored is configured by pin MC[0:3] in hardware mode or by **PMON** in host mode (refer to **Programming Information** for details).

The signal which is monitored goes through the clock and data

recovery circuit of channel 0. The monitored clock can output on RCLK0 which can be used as a timing interfaces derived from E1 signal. The monitored data can be observed digitally at the output pin RCLK0, RD0/RDP0 and RDN0. LOS detector is still in use in channel 0 for the monitored signal.

In monitoring mode, channel 0 can be configured to the Remote Loopback. The signal which is being monitored will output on TTIP0 and TRING0. The output signal can then be connected to a standard test equipment with an E1 electrical interface for non-intrusive monitoring.

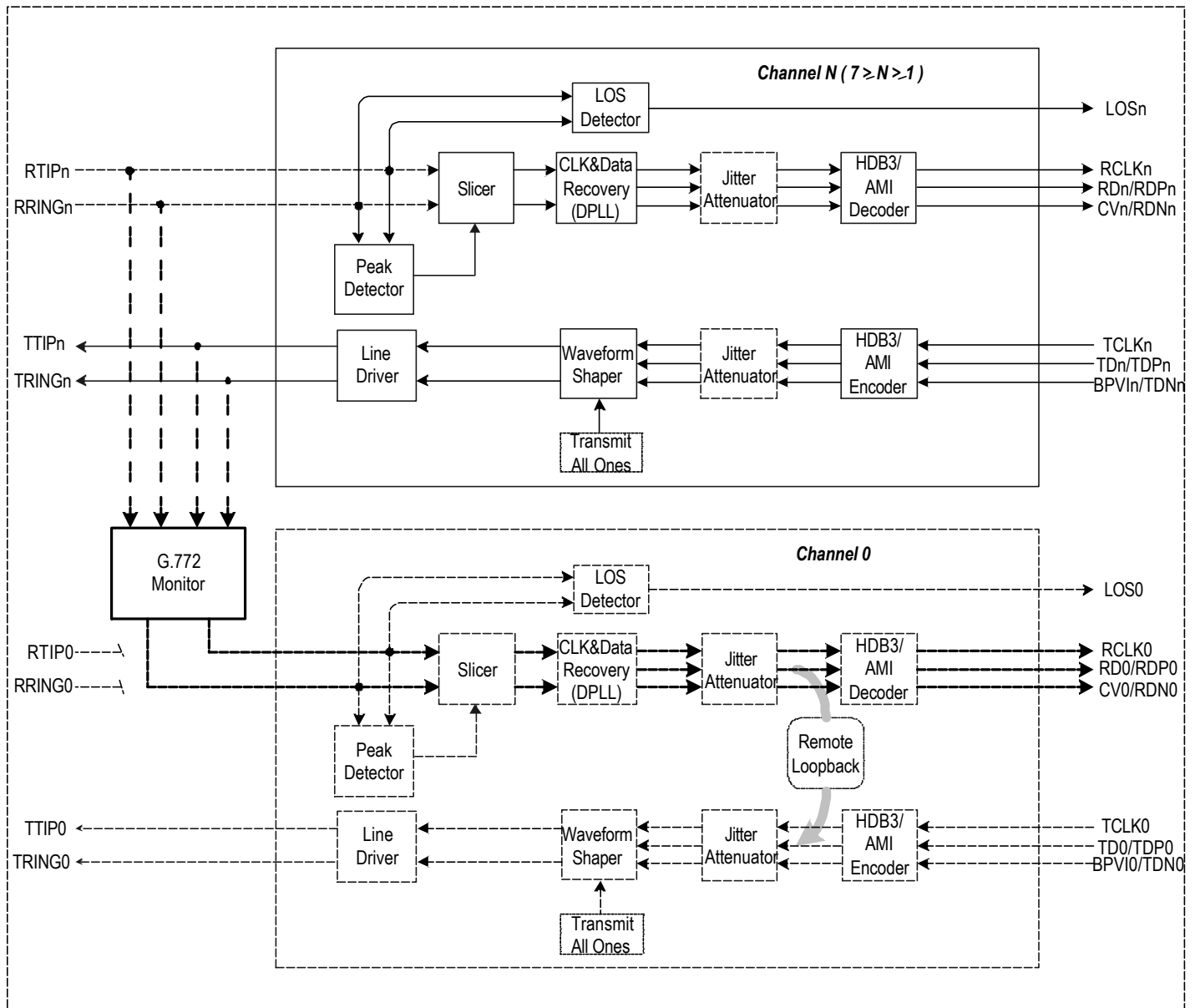


Figure - 17. Monitoring Principle

PROGRAMMING INFORMATION

REGISTER LIST AND MAP

There are 21 primary registers (including an Address Pointer Control Register), including 8 expanded registers in the device.

Whatever the control interface is, 5 address bits are used to set the registers. In non-multiplexed parallel interface mode, the five dedicated address bits are A[4:0]. In multiplexed parallel interface mode, AD[4:0]

carries the address information. In serial interface mode, A[5:1] are used to address the register.

The Address Pointer Control Register (**ADDP**), addressed as 11111 or 1F Hex, switches between primary registers bank and expanded registers bank.

By setting the content of **ADDP** to AAH, the 5 address bits point to the expanded register bank, that is, 16 expanded registers are then available to access. By clearing **ADDP**, the primary registers are accessible again.

TABLE - 11. PRIMARY REGISTER LIST

Address			Register	R/W	Explanation
Hex	serial interface A7-A1	parallel interface A7-A0			
00	XX00000	XXX00000	ID	R	Device ID Register
01	XX00001	XXX00001	ALB	R/W	Analog Loopback Configuration Register
02	XX00010	XXX00010	RLB	R/W	Remote Loopback Configuration Register
03	XX00011	XXX00011	TAO	R/W	Transmit All One Code Configuration Register
04	XX00100	XXX00100	LOS	R	Loss of Signal Status Register
05	XX00101	XXX00101	SC	R	Short Circuit Status Register
06	XX00110	XXX00110	LOSM	R/W	LOS Interrupt Mask Register
07	XX00111	XXX00111	SCM	R/W	Short Circuit Interrupt Mask Register
08	XX01000	XXX01000	LOSI	R	LOS Interrupt Status Register
09	XX01001	XXX01001	SCI	R	Short Circuit Interrupt Status Register
0A	XX01010	XXX01010	RS	W	Software Reset Register
0B	XX01011	XXX01011	PMON	R/W	Performance Monitor Configuration Register
0C	XX01100	XXX01100	DLB	R/W	Digital Loopback Configuration Register
0D	XX01101	XXX01101	LAC	R/W	LOS/AIS Criteria Configuration Register
0E	XX01110	XXX01110	ATAO	R/W	Automatic TAO Configuration Register
0F	XX01111	XXX01111	GCF	R/W	Global Configuration Register
10	XX10000	XXX10000	Reserved		
11	XX10001	XXX10001			
12	XX10010	XXX10010	OE	R/W	Output Enable Configuration Register
13	XX10011	XXX10011	AIS	R	AIS Status Register
14	XX10100	XXX10100	AISM	R/W	AIS Interrupt Mask Register
15	XX10101	XXX10101	AISI	R	AIS Interrupt Status Register
16	XX10110	XXX10110	Reserved		
17	XX10111	XXX10111			
18	XX11000	XXX11000			
19	XX11001	XXX11001			
1A	XX11010	XXX11010			
1B	XX11011	XXX11011			
1C	XX11100	XXX11100			
1D	XX11101	XXX11101			
1E	XX11110	XXX11110			
1F	XX11111	XXX11111	ADDP	R/W	Address pointer control Register for switching between primary register bank and expanded register bank

TABLE - 12. EXPANDED (INDIRECT ADDRESS MODE) REGISTER LIST

Address			Register	R/W	Explanation
Hex	serial interface A7-A1	parallel interface A7-A0			
00	XX00000	XXX00000	e-SING	R/W	Single Rail Mode Setting Register
01	XX00001	XXX00001	e-CODE	R/W	Encoder/Decoder Selection Register
02	XX00010	XXX00010	e-CRS	R/W	Clock Recovery Enable/Disable Register
03	XX00011	XXX00011	e-RPDN	R/W	Receiver n Powerdown Enable/Disable Register
04	XX00100	XXX00100	e-TPDN	R/W	Transmitter n Powerdown Enable/Disable Register
05	XX00101	XXX00101	e-CZER	R/W	Consecutive Zero Detect Enable/Disable Register
06	XX00110	XXX00110	e-CODV	R/W	Code Violation Detect Enable/Disable Register
07	XX00111	XXX00111	e-EQUA	R/W	Enable Equalizer Enable/Disable Register
08	XX01000	XXX01000			
09	XX01001	XXX01001			
0A	XX01010	XXX01010			
0B	XX01011	XXX01011			
0C	XX01100	XXX01100			
0D	XX01101	XXX01101			
0E	XX01110	XXX01110			
0F	XX01111	XXX01111			
10	XX10000	XXX10000			
11	XX10001	XXX10001			
12	XX10010	XXX10010			
13	XX10011	XXX10011			Test
14	XX10100	XXX10100			
15	XX10101	XXX10101			
16	XX10110	XXX10110			
17	XX10111	XXX10111			
18	XX11000	XXX11000			
19	XX11001	XXX11001			
1A	XX11010	XXX11010			
1B	XX11011	XXX11011			
1C	XX11100	XXX11100			
1D	XX11101	XXX11101			
1E	XX11110	XXX11110			
1F	XX11111	XXX11111	ADDP	R/W	Address pointer control register for switching between primary register bank and expanded register bank

TABLE - 13. PRIMARY REGISTER MAP

Register	Address R/W Default	b7	b6	b5	b4	b3	b2	b1	b0
ID	00 Hex R/W Default	ID 7 R 0	ID 6 R 0	ID 5 R 0	ID 4 R 1	ID 3 R 0	ID 2 R 0	ID 1 R 0	ID 0 R 0
ALB	01 Hex R/W Default	ALB 7 R/W 0	ALB 6 R/W 0	ALB 5 R/W 0	ALB 4 R/W 0	ALB 3 R/W 0	ALB 2 R/W 0	ALB 1 R/W 0	ALB 0 R/W 0
RLB	02 Hex R/W Default	RLB 7 R/W 0	RLB 6 R/W 0	RLB 5 R/W 0	RLB 4 R/W 0	RLB 3 R/W 0	RLB 2 R/W 0	RLB 1 R/W 0	RLB 0 R/W 0
TAO	03 Hex R/W Default	TAO 7 R/W 0	TAO 6 R/W 0	TAO 5 R/W 0	TAO 4 R/W 0	TAO 3 R/W 0	TAO 2 R/W 0	TAO 1 R/W 0	TAO 0 R/W 0
LOS	04 Hex R/W Default	LOS 7 R 0	LOS 6 R 0	LOS 5 R 0	LOS 4 R 0	LOS 3 R 0	LOS 2 R 0	LOS 1 R 0	LOS 0 R 0
SC	05 Hex R/W Default	SC 7 R 0	SC 6 R 0	SC 5 R 0	SC 4 R 0	SC 3 R 0	SC 2 R 0	SC 1 R 0	SC 0 R 0
LOSM	06 Hex R/W Default	LOSM 7 R/W 0	LOSM 6 R/W 0	LOSM 5 R/W 0	LOSM 4 R/W 0	LOSM 3 R/W 0	LOSM 2 R/W 0	LOSM 1 R/W 0	LOSM 0 R/W 0
SCM	07 Hex R/W Default	SCM 7 R/W 0	SCM 6 R/W 0	SCM 5 R/W 0	SCM 4 R/W 0	SCM 3 R/W 0	SCM 2 R/W 0	SCM 1 R/W 0	SCM 0 R/W 0
LOSI	08 Hex R/W Default	LOSI 7 R 0	LOSI 6 R 0	LOSI 5 R 0	LOSI 4 R 0	LOSI 3 R 0	LOSI 2 R 0	LOSI 1 R 0	LOSI 0 R 0
SCI	09 Hex R/W Default	SCI 7 R 0	SCI 6 R 0	SCI 5 R 0	SCI 4 R 0	SCI 3 R 0	SCI 2 R 0	SCI 1 R 0	SCI 0 R 0
RS	0A Hex W Default	RS 7 W 1	RS 6 W 1	RS 5 W 1	RS 4 W 1	RS 3 W 1	RS 2 W 1	RS 1 W 1	RS 0 W 1
PMON	0B Hex R/W Default	- R/W 0	- R/W 0	- R/W 0	- R/W 0	MC 3 R/W 0	MC 2 R/W 0	MC 1 R/W 0	MC 0 R/W 0
DLB	0C Hex R/W Default	DLB 7 R/W 0	DLB 6 R/W 0	DLB 5 R/W 0	DLB 4 R/W 0	DLB 3 R/W 0	DLB 2 R/W 0	DLB 1 R/W 0	DLB 0 R/W 0
LAC	0D Hex R/W Default	LAC 7 R/W 0	LAC 6 R/W 0	LAC 5 R/W 0	LAC 4 R/W 0	LAC 3 R/W 0	LAC 2 R/W 0	LAC 1 R/W 0	LAC 0 R/W 0
ATAO	0E Hex R/W Default	ATAO 7 R/W 0	ATAO 6 R/W 0	ATAO 5 R/W 0	ATAO 4 R/W 0	ATAO 3 R/W 0	ATAO 2 R/W 0	ATAO 1 R/W 0	ATAO 0 R/W 0
GCF	0F Hex R/W Default	- R/W 0	AISE R/W 0	SCPB R/W 0	CODE R/W 0	JADP R/W 0	JABW R/W 0	JACF 1 R/W 0	JACF 0 R/W 0

TABLE - 13. PRIMARY REGISTER MAP (CONTINUED)

Register	Address R/W Default	b7	b6	b5	b4	b3	b2	b1	b0
OE	12 Hex R/W Default	OE 7 R/W 0	OE 6 R/W 0	OE 5 R/W 0	OE 4 R/W 0	OE 3 R/W 0	OE 2 R/W 0	OE 1 R/W 0	OE 0 R/W 0
AIS	13 Hex R/W Default	AIS 7 R 0	AIS 6 R 0	AIS 5 R 0	AIS 4 R 0	AIS 3 R 0	AIS 2 R 0	AIS 1 R 0	AIS 0 R 0
AISM	14 Hex R/W Default	AISM 7 R/W 0	AISM 6 R/W 0	AISM 5 R/W 0	AISM 4 R/W 0	AISM 3 R/W 0	AISM 2 R/W 0	AISM 1 R/W 0	AISM 0 R/W 0
AISI	15 Hex R/W Default	AISI 7 R 0	AISI 6 R 0	AISI 5 R 0	AISI 4 R 0	AISI 3 R 0	AISI 2 R 0	AISI 1 R 0	AISI 0 R 0
ADDP	1F Hex R/W Default	ADDP 7 R/W 0	ADDP 6 R/W 0	ADDP 5 R/W 0	ADDP 4 R/W 0	ADDP 3 R/W 0	ADDP 2 R/W 0	ADDP 1 R/W 0	ADDP 0 R/W 0

TABLE - 14. EXPANDED (INDIRECT ADDRESS MODE) REGISTER MAP

Register	Address R/W Default	b7	b6	b5	b4	b3	b2	b1	b0
e-SING	00 Hex R/W Default	SING 7 R/W 0	SING 6 R/W 0	SING 5 R/W 0	SING 4 R/W 0	SING 3 R/W 0	SING 2 R/W 0	SING 1 R/W 0	SING 0 R/W 0
e-CODE	01 Hex R/W Default	CODE 7 R/W 0	CODE 6 R/W 0	CODE 5 R/W 0	CODE 4 R/W 0	CODE 3 R/W 0	CODE 2 R/W 0	CODE 1 R/W 0	CODE 0 R/W 0
e-CRS	02 Hex R/W Default	CRS 7 R/W 0	CRS 6 R/W 0	CRS 5 R/W 0	CRS 4 R/W 0	CRS 3 R/W 0	CRS 2 R/W 0	CRS 1 R/W 0	CRS 0 R/W 0
e-RPDN	03 Hex R/W Default	RPDN 7 R/W 0	RPDN 6 R/W 0	RPDN 5 R/W 0	RPDN 4 R/W 0	RPDN 3 R/W 0	RPDN 2 R/W 0	RPDN 1 R/W 0	RPDN 0 R/W 0
e-TPDN	04 Hex R/W Default	TPDN 7 R/W 0	TPDN 6 R/W 0	TPDN 5 R/W 0	TPDN 4 R/W 0	TPDN 3 R/W 0	TPDN 2 R/W 0	TPDN 1 R/W 0	TPDN 0 R/W 0
e-CZER	05 Hex R/W Default	CZER 7 R/W 0	CZER 6 R/W 0	CZER 5 R/W 0	CZER 4 R/W 0	CZER 3 R/W 0	CZER 2 R/W 0	CZER 1 R/W 0	CZER 0 R/W 0
e-CODV	06 Hex R/W Default	CODV 7 R/W 0	CODV 6 R/W 0	CODV 5 R/W 0	CODV 4 R/W 0	CODV 3 R/W 0	CODV 2 R/W 0	CODV 1 R/W 0	CODV 0 R/W 0
e-EQUA	07 Hex R/W Default	EQUA 7 R/W 0	EQUA 6 R/W 0	EQUA 5 R/W 0	EQUA 4 R/W 0	EQUA 3 R/W 0	EQUA 2 R/W 0	EQUA 1 R/W 0	EQUA 0 R/W 0
ADDP	1F Hex R/W Default	ADDP 7 R/W 0	ADDP 6 R/W 0	ADDP 5 R/W 0	ADDP 4 R/W 0	ADDP 3 R/W 0	ADDP 2 R/W 0	ADDP 1 R/W 0	ADDP 0 R/W 0

REGISTER DESCRIPTION

Primary Register Description

ID: Device ID Register (R, Address = 00 Hex)

Symbol	Position	Default	Description
ID[7:0]	ID.7-0	10 H	An 8-bit word is pre-set into the device as the identification and revision number. This number is different with the functional changes and is mask programmed.

ALB: Analog Loopback Configuration Register (R/W, Address = 01 Hex)

Symbol	Position	Default	Description
ALB[7:0]	ALB.7-0	00 H	0 = Normal operation. (Default) 1 = Analog Loopback enabled.

RLB: Remote Loopback Configuration Register (R/W, Address = 02 Hex)

Symbol	Position	Default	Description
RLB[7:0]	RLB.7-0	00 H	0 = Normal operation. (Default) 1 = Remote Loopback enabled.

TAO: Transmit All One Code Configuration Register (R/W, Address = 03 Hex)

Symbol	Position	Default	Description
TAO[7:0]	TAO.7-0	00 H	0 = Normal operation. (Default) 1 = Transmit all one code.

LOS: Loss of Signal Status Register (R, Address = 04 Hex)

Symbol	Position	Default	Description
LOS[7:0]	LOS.7-0	00 H	0 = Normal operation. (Default) 1 = Loss of signal detected.

SC: Short Circuit Status Register (R, Address = 05 Hex)

Symbol	Position	Default	Description
SC[7:0]	SC.7-0	00 H	0 = Normal operation. (Default) 1 = Short circuit detected.

LOSM: Loss of Signal Interrupt Mask Register (R/W, Address = 06 Hex)

Symbol	Position	Default	Description
LOSM[7:0]	LOSM.7-0	00 H	0 = LOS interrupt is not allowed. (Default) 1 = LOS interrupt is allowed.

SCM: Short Circuit Interrupt Mask Register (R/W, Address = 07 Hex)

Symbol	Position	Default	Description
SCM[7:0]	SCM.7-0	00 H	0 = Short circuit interrupt is not allowed. (Default) 1 = Short circuit interrupt is allowed.

LOSI: Loss of Signal Interrupt Status Register (R, Address = 08 Hex)

Symbol	Position	Default	Description
LOSI[7:0]	LOSI.7-0	00 H	0 = (Default). Or after a LOS read operation. 1 = Any transition on LOS_n (Corresponding LOSM_n is set to 1).

SCI: Short Circuit Interrupt Status Register (R, Address = 09 Hex)

Symbol	Position	Default	Description
SCI[7:0]	SCI.7-0	00 H	0 = (Default). Or after an SC read operation. 1 = Any transition on SCn (Corresponding SCMn is set to 1).

RS: Software Reset Register (W, Address = 0A Hex)

Symbol	Position	Default	Description
RS[7:0]	RS.7-0	FF H	Writing to this register will not change the content in this register but initiate a 1µs reset cycle, which means all the registers in the device are set to their default values.

PMON: Performance Monitor Configuration Register (R/W, Address = 0B Hex)

Symbol	Position	Default	Description	
-	PMON.7-4	0000	0 = Normal operation. (Default) 1 = Reserved.	
MC[3:0]	PMON.3-0	0000	MC[3:0]	
			0000	Normal operation without monitoring.
			0001	Monitoring receiver 1.
			0010	Monitoring receiver 2.
			0011	Monitoring receiver 3.
			0100	Monitoring receiver 4.
			0101	Monitoring receiver 5.
			0110	Monitoring receiver 6.
			0111	Monitoring receiver 7.
			1000	Normal operation without monitoring.
			1001	Monitoring transmitter 1.
			1010	Monitoring transmitter 2.
			1011	Monitoring transmitter 3.
			1100	Monitoring transmitter 4.
1101	Monitoring transmitter 5.			
1110	Monitoring transmitter 6.			
1111	Monitoring transmitter 7.			

DLB: Digital Loopback Configuration Register (R/W, Address = 0C Hex)

Symbol	Position	Default	Description
DLB[7:0]	DLB.7-0	00 H	0 = Normal operation. (Default) 1 = Digital Loopback enabled.

LAC: LOS/AIS Criteria Configuration Register (R/W, Address = 0D Hex)

Symbol	Position	Default	Description
LAC[7:0]	LAC.7-0	00 H	0 = G.775 mode. (Default) 1 = ETSI 300233 mode.

ATAO: Automatic TAO Configuration Register (R/W, Address = 0E Hex)

Symbol	Position	Default	Description
ATAO[7:0]	ATAO.7-0	00 H	0 = No automatic TAO. (Default) 1 = Automatic transmit all ones to the line side on LOS.

GCF: Global Configuration Register (R/W, Address = 0F Hex)

Symbol	Position	Default	Description
-	GCF.7	0	0 = Normal operation. (Default) 1 = Reserved.
AISE	GCF.6	0	AIS Enable During LOS. 0 = AIS insertion to the system side disabled on LOS. (Default) 1 = AIS insertion to the system side enabled on LOS.
SCPB	GCF.5	0	Short Circuit Protection Enable. 0 = Short circuit protection is enabled. (Default) 1 = Short circuit protection is disabled.
CODE	GCF.4	0	Line Code Enable. 0 = B8ZS/HDB3 encoder/decoder enabled. (Default) 1 = AMI encoder/decoder enabled.
JADP	GCF.3	0	Jitter Attenuator Depth Select. 0 = 32-bit FIFO. (Default) 1 = 64-bit FIFO.
JABW	GCF.2	0	Jitter Transfer Function Bandwidth Select. 0 = 1.7Hz. (Default) 1 = 6.6Hz.
JACF[1:0]	GCF.1-0	00	Jitter Attenuator Configuration. 00 = JA not used. (Default) 01 = JA in transmit path. 10 = JA not used. 11 = JA in receive path.

OE: Output Enable Configuration Register (R/W, Address = 12 Hex)

Symbol	Position	Default	Description
OE[7:0]	OE.7-0	00 H	0 = Transmit drivers enabled. (Default) 1 = Transmit drivers placed in high impedance state.

AIS: Alarm Indication Signal Status Register (R, Address = 13 Hex)

Symbol	Position	Default	Description
AIS[7:0]	AIS.7-0	00 H	0 = Normal operation. (Default) 1 = AIS detected.

AISM: Alarm Indication Signal Interrupt Mask Register (R/W, Address = 14 Hex)

Symbol	Position	Default	Description
AISM[7:0]	AISM.7-0	00 H	0 = AIS interrupt is not allowed. (Default) 1 = AIS interrupt is allowed.

AISI: Alarm Indication Signal Interrupt Status Register (R, Address = 15 Hex)

Symbol	Position	Default	Description
AISI[7:0]	AISI.7-0	00 H	0 = (Default), or after an AIS read operation 1 = Any transition on AISn . (Corresponding AISMn is set to 1.)

ADDP: Address Pointer Control Register (R/W, Address = 1F Hex)

Symbol	Position	Default	Description
ADDP[7:0]	ADDP.7-0	00 H	Two kinds of configuration in this register can be set to switch between primary register bank and expanded register bank. When power up, the address pointer will point to the top address of primary register bank automatically. 00H = The address pointer points to the top address of primary register bank (default). AAH = The address pointer points to the top address of expanded register bank.

Expanded Register Description

e-SING: Single Rail Mode Setting Register (R/W, Expanded Address = 00 Hex)

Symbol	Position	Default	Description
SING[7:0]	SING.7-0	00 H	0 = Pin TDNn selects single rail mode or dual rail mode. (Default) 1 = Single rail mode enabled (with CRSn=0)

e-CODE: Encoder/Decoder Selection Register (R/W, Expanded Address = 01 Hex)

Symbol	Position	Default	Description
CODE[7:0]	CODE.7-0	00 H	Line Code Selection. CODEn selects AMI or B8ZS/HDB3 encoder/decoder on per-channel basis with SINGn = 1 and CRSn = 0. 0 = B8ZS/HDB3 encoder/decoder enabled. (Default) 1 = AMI encoder/decoder enabled.

e-CRS: Clock Recovery Enable/Disable Selection Register (R/W, Expanded Address = 02 Hex)

Symbol	Position	Default	Description
CRS[7:0]	CRS.7-0	00 H	0 = Clock recovery enabled. (Default) 1 = Clock recovery disabled.

e-RPDN: Receiver n Powerdown Register (R/W, Expanded Address = 03 Hex)

Symbol	Position	Default	Description
RPDN[7:0]	RPDN.7-0	00 H	0 = Normal operation. (Default) 1 = Power down in receiver n.

e-TPDN: Transmitter n Powerdown Register (R/W, Expanded Address = 04 Hex)

Symbol	Position	Default	Description
TPDN[7:0]	TPDN.7-0	00 H	0 = Normal operation. (Default) 1 = Power down in Transmitter n (the corresponding transmit output driver enters a low power high impedance mode). <i>Note that transmitter n is power down when either pin TCLKn is pulled to low or TPDNn is set to 1.</i>

e-CZER: Consecutive Zero Detect Enable/Disable Register (R/W, Expanded Address = 05 Hex)

Symbol	Position	Default	Description
CZER[7:0]	CZER.7-0	00 H	0 = Excessive zero detect disabled. (Default) 1 = Excessive zero detect enabled for B8ZS/HDB3 decoder in single rail mode.

e-CODV: Code Violation Detect Enable/Disable Register (R/W, Expanded Address = 06 Hex)

Symbol	Position	Default	Description
CODV[7:0]	CODV.7-0	00 H	0 = Code Violation Detect enable for HDB3 decoder in single rail mode. (Default) 1 = Code Violation Detect disable.

e-EQUA: Receive Equalizer Enable/Disable Register (R/W, Expanded Address = 07 Hex)

Symbol	Position	Default	Description
EQUA[7:0]	EQUA.7-0	00 H	0 = Normal operation. (Default) 1 = Equalizer in Receiver n enabled, which can improved the receive performance when transmission length is more than 200 m.

Reserved Registers: Primary Registers 10, 11, 16 - 1E are reserved.

Test Registers: Expand Registers 08 - 1E are test registers. They must be set to 0.

IEEE STD 1149.1 JTAG TEST ACCESS PORT

The IDT82V2048 supports the digital Boundary Scan Specification as described in the IEEE 1149.1 standards.

The boundary scan architecture consists of data and instruction registers plus a Test Access Port (TAP) controller. Control of the TAP is achieved through signals applied to the Test Mode Select (TMS) and Test Clock (TCK) input pins. Data is shifted into the registers via the Test Data Input (TDI) pin, and shifted out of the registers via the Test Data Output (TDO) pin. Both TDI and TDO are clocked at a rate determined by TCK.

The JTAG boundary scan registers includes BSR (Boundary Scan Register), IDR (Device Identification Register), BR (Bypass Register) and IR (Instruction Register). These will be described in the following pages. Refer to Figure-18 for architecture.

JTAG INSTRUCTIONS AND INSTRUCTION REGISTER (IR)

The IR (Instruction Register) with instruction decode block is used to select the test to be executed or the data register to be accessed or both.

The instructions are shifted in LSB first to this 3-bit register. See Table-15 for details of the codes and the instructions related.

JTAG DATA REGISTER

Device Identification Register (IDR)

The IDR can be set to define the producer number, part number and the device revision, which can be used to verify the proper version or revision number that has been used in the system under test. The IDR is 32 bits long and is partitioned as in Table-16. Data from the IDR is shifted out to TDO LSB first.

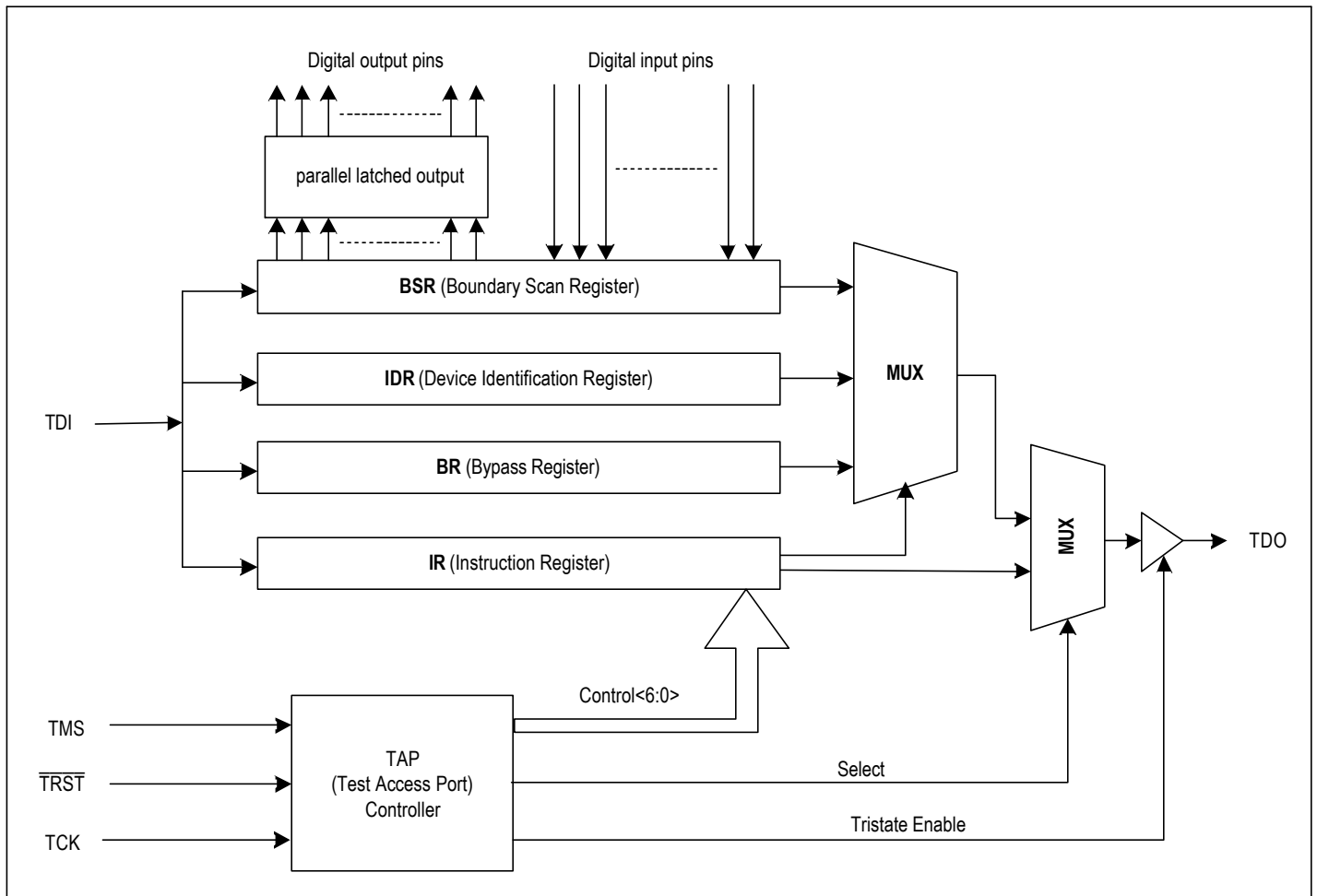


Figure - 18. JTAG Architecture

TABLE - 15. INSTRUCTION REGISTER DESCRIPTION

IR CODE	INSTRUCTION	COMMENTS
000	Extest	The external test instruction allows testing of the interconnection to other devices. When the current instruction is the EXTEST instruction, the boundary scan register is placed between TDI and TDO. The signal on the input pins can be sampled by loading the boundary scan register using the Capture-DR state. The sampled values can then be viewed by shifting the boundary scan register using the Shift-DR state. The signal on the output pins can be controlled by loading patterns shifted in through input TDI into the boundary scan register using the Update-DR state.
100	Sample / Preload	The sample instruction samples all the device inputs and outputs. For this instruction, the boundary scan register is placed between TDI and TDO. The normal path between the IDT82V2058 logic and the I/O pins is maintained. Primary device inputs and outputs can be sampled by loading the boundary scan register using the Capture-DR state. The sampled values can then be viewed by shifting the boundary scan register using the Shift-DR state.
110	Idcode	The identification instruction is used to connect the identification register between TDI and TDO. The device's identification code can then be shifted out using the Shift-DR state.
111	Bypass	The bypass instruction shifts data from input TDI to output TDO with one TCK clock period delay. The instruction is used to bypass the device.

TABLE - 16. DEVICE IDENTIFICATION REGISTER DESCRIPTION

BIT No.	COMMENTS
0	Set to "1"
1~11	Producer Number
12~27	Part Number
28~31	Device Revision

Bypass Register (BR)

The BR consists of a single bit. It can provide a serial path between the TDI input and TDO output, bypassing the BSR to reduce test access times.

Boundary Scan Register (BSR)

The BSR can apply and read test patterns in parallel to or from all the digital I/O pins. The BSR is a 98 bits long shift register and is initialized and read using the instruction EXTEST or SAMPLE/PRELOAD. Each pin is related to one or more bits in the BSR. *Please refer to Table-17 for details of BSR bits and their functions.*

TEST ACCESS PORT CONTROLLER

The TAP controller is a 16-state synchronous state machine. *Figure-19* shows its state diagram. A description of each state follows. Note that the figure contains two main branches to access either the data or instruction registers. The value shown next to each state transition in this figure states the value present at TMS at each rising edge of TCK. *Please refer to Table-18 for details of the state description.*

TABLE - 17. BOUNDARY SCAN REGISTER DESCRIPTION

BIT No.	BIT SYMBOL	PIN SIGNAL	TYPE	COMMENTS
0	POUT0	LP0	I/O	
1	PIN0	LP0	I/O	
2	POUT1	LP1	I/O	
3	PIN1	LP1	I/O	
4	POUT2	LP2	I/O	
5	PIN2	LP2	I/O	
6	POUT3	LP3	I/O	
7	PIN3	LP3	I/O	
8	POUT4	LP4	I/O	
9	PIN4	LP4	I/O	
10	POUT5	LP5	I/O	
11	PIN5	LP5	I/O	
12	POUT6	LP6	I/O	
13	PIN6	LP6	I/O	
14	POUT7	LP7	I/O	
15	PIN7	LP7	I/O	

TABLE - 17. BOUNDARY SCAN REGISTER DESCRIPTION (CONTINUED)

BIT No.	BIT SYMBOL	PIN SIGNAL	TYPE	COMMENTS
16	PIOS	N/A	-	Controls pin LP7~0. When "0", the pins are configured as outputs. The output values to the pins are set in POUT7~0. When "1", the pins are tristated. The input values to the pins are read in PIN7~0.
17	TCLK1	TCLK1	I	
18	TDP1	TDP1	I	
19	TDN1	TDN1	I	
20	RCLK1	RCLK1	O	
21	RDP1	RDP1	O	
22	RDN1	RDN1	O	
23	HZEN1	N/A	-	Controls pin RDP1, RDN1 and RCLK1. When "0", the outputs are enabled on the pins. When "1", the pins are tristated.
24	LOS1	LOS1	O	
25	TCLK0	TCLK0	I	
26	TDP0	TDP0	I	
27	TDN0	TDN0	I	
28	RCLK0	RCLK0	O	
29	RDP0	RDP0	O	
30	RDN0	RDN0	O	
31	HZEN0	N/A	-	Controls pin RDP0, RDN0 and RCLK0. When "0", the outputs are enabled on the pins. When "1", the pins are tristated.
32	LOS0	LOS0	O	
33	MODE1	MODE1	I	
34	LOS3	LOS3	O	
35	RDN3	RDN3	O	
36	RDP3	RDP3	O	
37	HZEN3	N/A	-	Controls pin RDP3, RDN3 and RCLK3. When "0", the outputs are enabled on the pins. When "1", the pins are tristated.
38	RCLK3	RCLK3	O	
39	TDN3	TDN3	I	
40	TDP3	TDP3	I	
41	TCLK3	TCLK3	I	
42	LOS2	LOS2	O	
43	RDN2	RDN2	O	
44	RDP2	RDP2	O	
45	HZEN2	N/A	-	Controls pin RDP2, RDN2 and RCLK2. When "0", the outputs are enabled on the pins. When "1", the pins are tristated.
46	RCLK2	RCLK2	O	
47	TDN2	TDN2	I	
48	TDP2	TDP2	I	
49	TCLK2	TCLK2	I	
50	INT	$\overline{\text{INT}}$	O	
51	ACK	$\overline{\text{ACK}}$	O	
52	SDORDYS	N/A	-	Control pin $\overline{\text{ACK}}$. When "0", the output is enabled on pin $\overline{\text{ACK}}$. When "1", the pin is tristated.
53	WRB	$\overline{\text{DS}}$	I	
54	RDB	R/ $\overline{\text{W}}$	I	
55	ALE	ALE	I	

TABLE - 17. BOUNDARY SCAN REGISTER DESCRIPTION (CONTINUED)

BIT No.	BIT SYMBOL	PIN SIGNAL	TYPE	COMMENTS
56	CSB	\overline{CS}	I	
57	MODE0	MODE0	I	
58	TCLK5	TCLK5	I	
59	TDP5	TDP5	I	
60	TDN5	TDN5	I	
61	RCLK5	RCLK5	O	
62	RDP5	RDP5	O	
63	RDN5	RDN5	O	
64	HZEN5	N/A	-	Controls pin RDP5, RDN5 and RCLK5. When "0", the outputs are enabled on the pins. When "1", the pins are tristated.
65	LOS5	LOS5	O	
66	TCLK4	TCLK4	I	
67	TDP4	TDP4	I	
68	TDN4	TDN4	I	
69	RCLK4	RCLK4	O	
70	RDP4	RDP4	O	
71	RDN4	RDN4	O	
72	HZEN4	N/A	-	Controls pin RDP4, RDN4 and RCLK4. When "0", the outputs are enabled on the pins. When "1", the pins are tristated.
73	LOS4	LOS4	O	
74	OE	OE	I	
75	CLKE	CLKE	I	
76	LOS7	LOS7	O	
77	RDN7	RDN7	O	
78	RDP7	RDP7	O	
79	HZEN7	N/A	-	Controls pin RDP7, RDN7 and RCLK7. When "0", the outputs are enabled on the pins. When "1", the pins are tristated.
80	RCLK7	RCLK7	O	
81	TDN7	TDN7	I	
82	TDP7	TDP7	I	
83	TCLK7	TCLK7	I	
84	LOS6	LOS6	O	
85	RDN6	RDN6	O	
86	RDP6	RDP6	O	
87	HZEN6	N/A	-	Controls pin RDP6, RDN6 and RCLK6. When "0", the outputs are enabled on the pins. When "1", the pins are tristated.
88	RCLK6	RCLK6	O	
89	TDN6	TDN6	I	
90	TDP6	TDP6	I	
91	TCLK6	TCLK6	I	
92	MCLK	MCLK	I	
93	MODE2	MODE2	I	
94	A4	A4	I	
95	A3	A3	I	
96	A2	A2	I	
97	A1	A1	I	
98	A0	A0	I	

TABLE - 18. TAP CONTROLLER STATE DESCRIPTION

STATE	DESCRIPTION
Test Logic Reset	In this state, the test logic is disabled. The device is set to normal operation. During initialization, the device initializes the instruction register with the IDCODE instruction. Regardless of the original state of the controller, the controller enters the Test-Logic-Reset state when the TMS input is held high for at least 5 rising edges of TCK. The controller remains in this state while TMS is high. The device processor automatically enters this state at power-up.
Run-Test/Idle	This is a controller state between scan operations. Once in this state, the controller remains in the state as long as TMS is held low. The instruction register and all test data registers retain their previous state. When TMS is high and a rising edge is applied to TCK, the controller moves to the Select-DR state.
Select-DR-Scan	This is a temporary controller state and the instruction does not change in this state. The test data register selected by the current instruction retains its previous state. If TMS is held low and a rising edge is applied to TCK when in this state, the controller moves into the Capture-DR state and a scan sequence for the selected test data register is initiated. If TMS is held high and a rising edge applied to TCK, the controller moves to the Select-IR-Scan state.
Capture-DR	In this state, the Boundary Scan Register captures input pin data if the current instruction is EXTEST or SAMPLE/PRELOAD. The instruction does not change in this state. The other test data registers, which do not have parallel input, are not changed. When the TAP controller is in this state and a rising edge is applied to TCK, the controller enters the Exit1-DR state if TMS is high or the Shift-DR state if TMS is low.
Shift-DR	In this controller state, the test data register connected between TDI and TDO as a result of the current instruction shifts data on stage toward its serial output on each rising edge of TCK. The instruction does not change in this state. When the TAP controller is in this state and a rising edge is applied to TCK, the controller enters the Exit1-DR state if TMS is high or remains in the Shift-DR state if TMS is low.
Exit1-DR	This is a temporary state. While in this state, if TMS is held high, a rising edge applied to TCK causes the controller to enter the Update-DR state, which terminates the scanning process. If TMS is held low and a rising edge is applied to TCK, the controller enters the Pause-DR state. The test data register selected by the current instruction retains its previous value and the instruction does not change during this state.
Pause-DR	The pause state allows the test controller to temporarily halt the shifting of data through the test data register in the serial path between TDI and TDO. For example, this state could be used to allow the tester to reload its pin memory from disk during application of a long test sequence. The test data register selected by the current instruction retains its previous value and the instruction does not change during this state. The controller remains in this state as long as TMS is low. When TMS goes high and a rising edge is applied to TCK, the controller moves to the Exit2-DR state.
Exit2-DR	This is a temporary state. While in this state, if TMS is held high, a rising edge applied to TCK causes the controller to enter the Update-DR state, which terminates the scanning process. If TMS is held low and a rising edge is applied to TCK, the controller enters the Shift-DR state. The test data register selected by the current instruction retains its previous value and the instruction does not change during this state.
Update-DR	The Boundary Scan Register is provided with a latched parallel output to prevent changes while data is shifted in response to the EXTEST and SAMPLE/PRELOAD instructions. When the TAP controller is in this state and the Boundary Scan Register is selected, data is latched into the parallel output of this register from the shift-register path on the falling edge of TCK. The data held at the latched parallel output changes only in this state. All shift-register stages in the test data register selected by the current instruction retain their previous value and the instruction does not change during this state.
Select-IR-Scan	This is a temporary controller state. The test data register selected by the current instruction retains its previous state. If TMS is held low and a rising edge is applied to TCK when in this state, the controller moves into the Capture-IR state, and a scan sequence for the instruction register is initiated. If TMS is held high and a rising edge is applied to TCK, the controller moves to the Test-Logic-Reset state. The instruction does not change during this state.
Capture-IR	In this controller state, the shift register contained in the instruction register loads a fixed value of '100' on the rising edge of TCK. This supports fault-isolation of the board-level serial test data path. Data registers selected by the current instruction retain their value and the instruction does not change during this state. When the controller is in this state and a rising edge is applied to TCK, the controller enters the Exit1-IR state if TMS is held high, or the Shift-IR state if TMS is held low.
Shift-IR	In this state, the shift register contained in the instruction register is connected between TDI and TDO and shifts data one stage towards its serial output on each rising edge of TCK. The test data register selected by the current instruction retains its previous value and the instruction does not change during this state. When the controller is in this state and a rising edge is applied to TCK, the controller enters the Exit1-IR state if TMS is held high, or remains in the Shift-IR state if TMS is held low.

TABLE - 19. TAP CONTROLLER STATE DESCRIPTION (CONTINUED)

STATE	DESCRIPTION
Exit1-IR	This is a temporary state. While in this state, if TMS is held high, a rising edge applied to TCK causes the controller to enter the Update-IR state, which terminates the scanning process. If TMS is held low and a rising edge is applied to TCK, the controller enters the Pause-IR state. The test data register selected by the current instruction retains its previous value and the instruction does not change during this state.
Pause-IR	The pause state allows the test controller to temporarily halt the shifting of data through the instruction register. The test data register selected by the current instruction retains its previous value and the instruction does not change during this state. The controller remains in this state as long as TMS is low. When TMS goes high and a rising edge is applied to TCK, the controller moves to the Exit2-IR state.
Exit2-IR	This is a temporary state. While in this state, if TMS is held high, a rising edge applied to TCK causes the controller to enter the Update-IR state, which terminates the scanning process. If TMS is held low and a rising edge is applied to TCK, the controller enters the Shift-IR state. The test data register selected by the current instruction retains its previous value and the instruction does not change during this state.
Update-IR	The instruction shifted into the instruction register is latched into the parallel output from the shift-register path on the falling edge of TCK. When the new instruction has been latched, it becomes the current instruction. The test data registers selected by the current instruction retain their previous value.

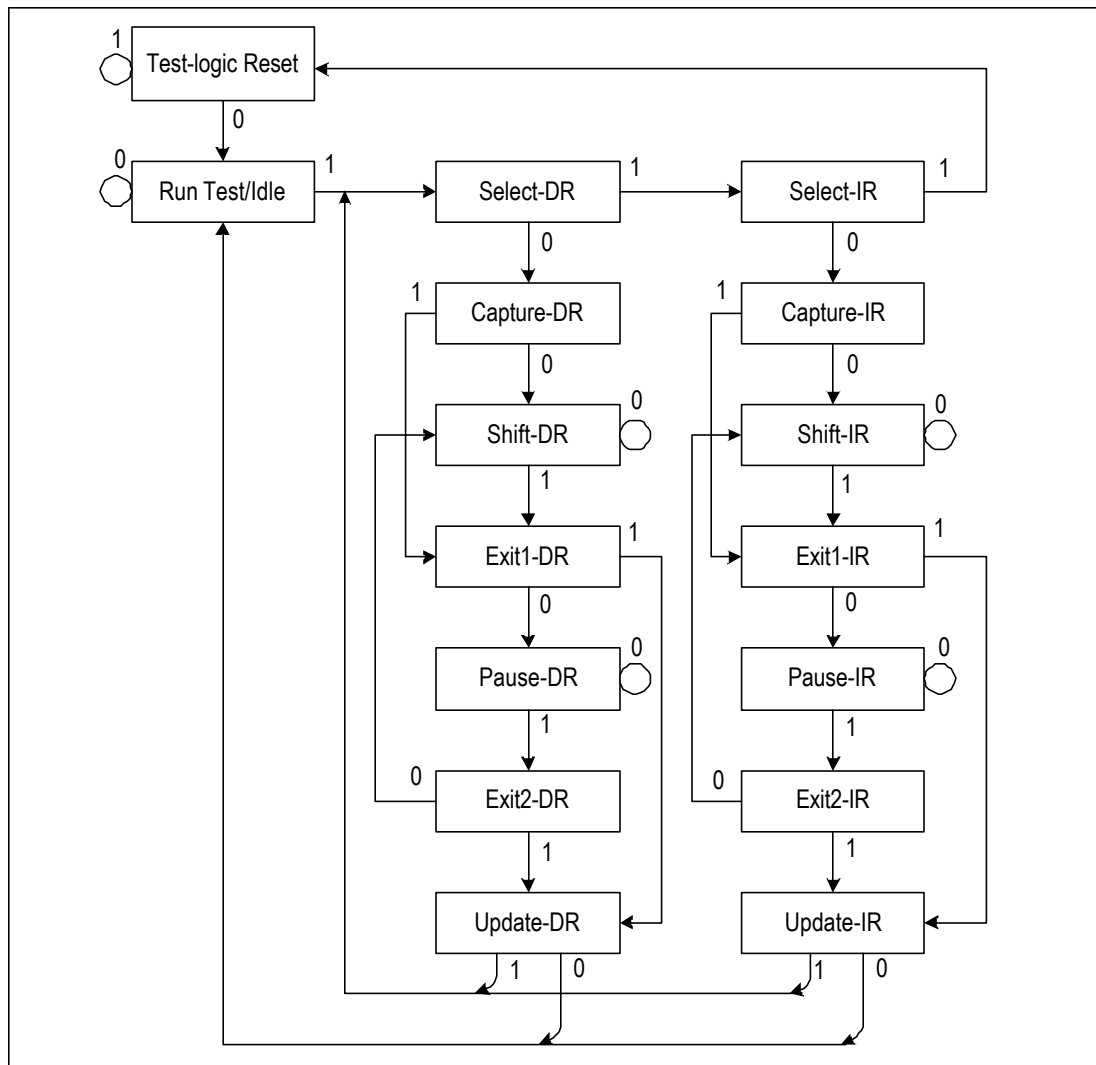


Figure - 19. JTAG State Diagram

ABSOLUTE MAXIMUM RATING

Symbol	Parameter	Min	Max	Unit
VDDA,VDDD	Core Power Supply	-0.5	4.0	V
VDDIO0,VDDIO1	I/O Power Supply	-0.5	4.0	V
VDDT0-7	Transmit Power Supply	-0.5	7.0	V
Vin	Input Voltage, Any Digital Pin	GND-0.5	5.5	V
	Input Voltage, Any RTIP and RRING pin ⁽¹⁾	GND-0.5	VDDA+0.5 VDDD+0.5	V
	ESD Voltage, any pin ⁽²⁾	2000		V
Iin	Transient latch-up current, any pin		100	mA
	Input current, any digital pin ⁽³⁾	-10	10	mA
	DC Input current, any analog pin ⁽³⁾		±100	mA
Pd	Maximum power dissipation in package		1.6	W
Tc	Case Temperature		120	°C
Ts	Storage Temperature	-65	+150	°C
CAUTION				
Exceeding these values may cause permanent damage. Functional operation under these conditions is not implied. Exposure to absolute maximum rating conditions for extended periods may affect device reliability.				

NOTE:

1. Referenced to ground
2. Human body model
3. Constant input current

RECOMMENDED OPERATING CONDITIONS

Symbol	Parameter	Min	Typ	Max	Unit
VDDA,VDDD	Core Power Supply	3.13	3.3	3.47	V
VDDIO	I/O Power Supply	3.13	3.3	3.47	V
VDDT	Transmitter Supply				
	3.3V	3.13	3.3	3.47	V
	5V	4.75	5.0	5.25	V
T _A	Ambient operating temperature	-40	25	85	°C
R _L	Output load at TTIP and TRING	25			Ω
I _{VDD}	Average core power supply current ⁽¹⁾		40	60	mA
I _{VDDIO}	IO power supply current ⁽³⁾		15	25	mA
I _{VDDT}	Average transmitter power supply current, E1 mode ^(1,2)				
	75Ω			125	mA
		50% ones density data:		220	
		100% ones density data:		100	
120Ω	50% ones density data:		200		

NOTE:

1. Maximum power and current consumption over the full operating temperature and power supply voltage range. Includes all channels.
2. Power consumption includes power absorbed by line load and external transmitter components.
3. Digital output is driving 50pF load, digital input is within 10% of the supply rails.

POWER CONSUMPTION

Symbol	Parameter	LEN	Min	Typ	Max ^(1,2)	Unit
	E1, 3.3V, 75 Ω Load					
	50% ones density data:	000	-	612	-	mW
	100% ones density data:	000	-	1050	1125	
	E1, 3.3V, 120 Ω Load					
	50% ones density data:	000	-	526	-	mW
	100% ones density data:	000	-	880	940	
	E1, 5.0V, 75 Ω Load					
	50% ones density data:	000	-	835	-	mW
	100% ones density data:	000	-	1510	1610	
	E1, 5.0V, 120 Ω Load					
	50% ones density data:	000	-	710	-	mW
	100% ones density data:	000	-	1240	1330	

NOTE:

1. Maximum power and current consumption over the full operating temperature and power supply voltage range. Includes all channels.
2. Power consumption includes power absorbed by line load and external transmitter components.
3. T1 maximum values measured with maximum cable length (LEN = 111). Typical values measured with typical cable length (LEN = 101).

DC CHARACTERISTICS

Symbol	Parameter	Min	Typ	Max	Unit
V _{IL}	Input Low Level Voltage MODE2, JAS, LPn pins All other digital inputs pins			$\frac{1}{3}V_{DDIO}-0.2$ 0.8	V
V _{IM}	Input Mid Level Voltage MODE2, JAS, LPn pins	$\frac{1}{3}V_{DDIO}+0.2$	$\frac{1}{2}V_{DDIO}$	$\frac{2}{3}V_{DDIO}-0.2$	V
V _{IH}	Input High Voltage MODE2, JAS, LPn pins All other digital inputs pins	$\frac{2}{3}V_{DDIO}+0.2$ 2.0			V
V _{OL}	Output Low level Voltage ⁽¹⁾ (I _{out} =1.6mA)			0.4	V
V _{OH}	Output High level Voltage ⁽¹⁾ (I _{out} =400μA)	2.4		V _{DDIO}	V
V _{MA}	Analog Input Quiescent Voltage (RTIP, RRING pin while floating)	1.33	1.4	1.47	V
I _H	Input High Level Current (MODE2, JAS, LPn pin)			50	μA
I _L	Input Low Level Current (MODE2, JAS, LPn pin)			50	μA
I _I	Input Leakage Current TMS, TDI, \overline{TRST} All other digital input pins			50 10	μA μA
I _{ZL}	Tri-state Leakage Current	-10		10	μA
Z _{OH}	Output High Impedance on (TTIP, TRING Pins)	150			KΩ

NOTE:

1. Output drivers will output CMOS logic levels into CMOS loads.

TRANSMITTER CHARACTERISTICS

Symbol	Parameter	Min	Typ	Max	Unit	
V _{0-p}	Output pulse amplitudes ⁽¹⁾					
	E1, 75Ω load	2.14	2.37	2.6	V	
	E1, 120Ω load	2.7	3.0	3.3	V	
V _{0-s}	Zero (space) level					
	E1, 75 Ω load	-0.237		0.237	V	
	E1, 120 Ω load	-0.3		0.3	V	
	Transmit amplitude variation with supply	-1		+1	%	
	Difference between pulse sequences for 17 consecutive pulses			200	mV	
T _{PW}	Output Pulse Width at 50% of nominal amplitude:	232	244	256	ns	
	Ratio of the amplitudes of Positive and Negative Pulses at the center of the pulse interval	0.95		1.05		
RTX	Transmit Return Loss ⁽²⁾					
	E1, 75Ω	51 KHz – 102 KHz	15			dB
		102 KHz - 2.048 MHz	15			dB
		2.048 MHz – 3.072 MHz	15			dB
	E1, 120Ω	51 KHz – 102 KHz	15			dB
		102 KHz - 2.048 MHz	15			dB
2.048 MHz – 3.072 MHz		15			dB	
JT _{Xp-p}	Intrinsic Transmit Jitter (TCLK is jitter free, JA enable)					
	E1: 20 HZ – 100 KHz		0.050		U.I.	
T _d	Transmit path delay (JA is disabled)					
	Single rail		8		U.I.	
	Dual rail		3		U.I.	
I _{sc}	Line short circuit current ⁽³⁾			150	mA lp-p	

NOTE:

1. E1: measured at the line output ports
2. Test at IDT82V2058 evaluation board
3. Measured at 2x9.5Ω series resistors and 1:2 transformer

RECEIVER CHARACTERISTICS

Symbol	Parameter	Min	Typ	Max	Unit
ATT	Permissible Cable Attenuation (@1024kHz)			15	dB
IA	Input Amplitude	0.1		0.8	V _p
SIR	Signal to Interference Ratio Margin ⁽¹⁾	-14			dB
SRE	Data decision threshold (reference to peak input voltage)		50		%
	Data slicer threshold		150		mV
	Analog loss of signal ⁽²⁾				
	Threshold:		310		mV
	Hysteresis:		230		mV
	Allowable consecutive zeros before LOS				
	E1, G.775:		32		
	E1, ETSI300233:		2048		
	LOS reset				
	Clock recovery mode	12.5			% ones
JRX _{p-p}	Peak to Peak Intrinsic Receive Jitter (JA disabled)			0.0625	U.I.
JTRX	Jitter Tolerance				
	1 Hz – 20 Hz	18.0			U.I.
	20 Hz – 2.4 KHz	1.5			U.I.
	18 KHz – 100 KHz	0.2			U.I.
ZDM	Receiver Differential Input Impedance		120		KΩ
ZCM	Receiver Common Mode Input Impedance to GND	10			KΩ
RRX	Receive Return Loss				
	51 KHz – 102 KHz	20			db
	102 KHz - 2.048 MHz	20			dB
	2.048 MHz – 3.072 MHz	20			dB
	Receive path delay				
	Dual rail		3		U.I.
	Single rail		8		U.I.

NOTE:

1. E1: per G.703, O.151 @6dB cable attenuation.

2. The test circuit for this parameter is shown in Figure 12. The analog signal is measured on the Receiver line before the transformer (port A and port B in Figure 12). And the receive line is a T1/E1 cable simulator.

JITTER ATTENUATOR CHARACTERISTICS

Symbol	Parameter	Min	Typ	Max	Unit
f _{-3dB}	Jitter Transfer Function Corner (-3dB) Frequency				
	Host mode:				
	32/64 bit FIFO JABW = 0: JABW = 1:		1.7 6.6		Hz Hz
	Hardware mode		1.7		Hz
	Jitter Attenuator ⁽¹⁾				
	@ 3 Hz	-0.5			dB
	@ 40 Hz	-0.5			
	@ 400 Hz	+19.5			
	@ 100kHz	+19.5			
td	Jitter Attenuator Latency Delay				
	32bit FIFO: 64bit FIFO:		16 32		U.I. U.I.
	Input jitter tolerance before FIFO overflow or underflow				
	32bit FIFO:		28		U.I.
	64bit FIFO:		56		U.I.
	Output jitter in remote loopback ⁽²⁾			0.11	U.I.

NOTE:

1. Per G.736, see Fig-35.

2. Per ETSI CTR12/13 Output jitter.

TRANSCEIVER TIMING CHARACTERISTICS

Symbol	Parameter	Min	Typ	Max	Unit
	MCLK frequency		2.048		MHz
	MCLK tolerance	-100		100	ppm
	MCLK duty cycle	40		60	%
<i>Transmit path</i>					
	TCLK frequency		2.048		MHz
	TCLK tolerance	-50		+50	ppm
	TCLK Duty Cycle	10		90	%
t1	Transmit Data Setup Time	40			ns
t2	Transmit Data Hold Time	40			ns
	Delay time of OE low to driver High Z			1	us
	Delay time of TCLK low to driver High Z	40	44	48	us
<i>Receive path</i>					
	Clock recovery capture range ⁽¹⁾		+/- 80		ppm
	RCLK duty cycle ⁽²⁾	40	50	60	%
t4	RCLK pulse width ⁽²⁾	457	488	519	ns
t5	RCLK pulse width low time	203	244	285	ns
t6	RCLK pulse width high time	203	244	285	ns
	Rise/fall time ⁽³⁾	20			ns
t7	Receive Data Setup Time	200	244		ns
t8	Receive Data Hold Time	200	244		ns
t9	RDN/RDP pulse width (MCLK = H) ⁽⁴⁾	200	244		ns

- NOTE:**
1. Relative to nominal frequency, MCLK= \pm 100 ppm
 2. RCLK duty cycle widths will vary depending on extent of received pulse jitter displacement. Maximum and minimum RCLK duty cycles are for worst case jitter conditions (0.2UI displacement for E1 per ITU G.823).
 3. For all digital outputs. C load = 15 pF
 4. Clock recovery is disabled in this mode.

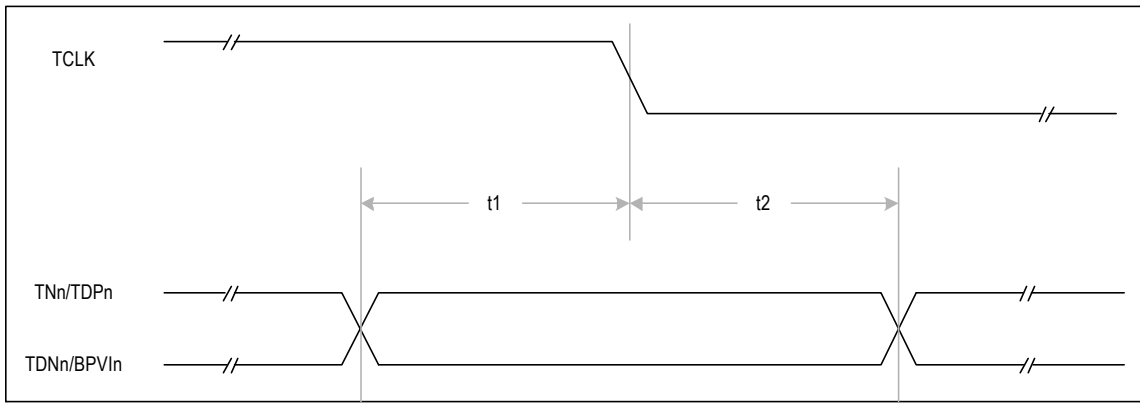


Figure - 21. Transmit System Interface Timing

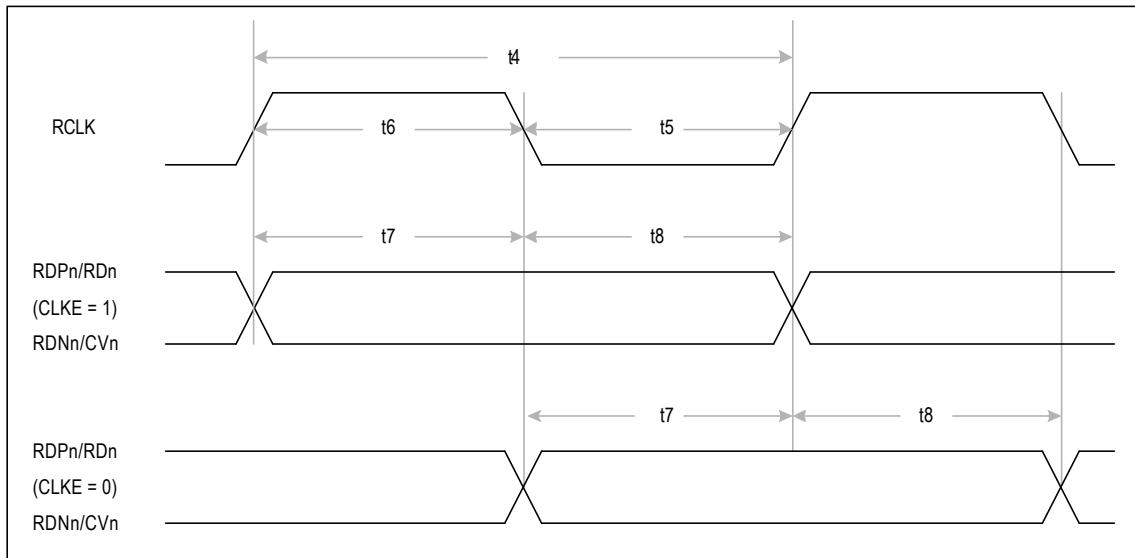


Figure - 22. Receive System Interface Timing

JTAG TIMING CHARACTERISTICS

Symbol	Parameter	Min	Typ	Max	Unit	Comments
t1	TCK Period	200			ns	
t2	TMS to TCK setup Time TDI to TCK Setup Time	50			ns	
t3	TCK to TMS Hold Time TCK to TDI Hold Time	50			ns	
t4	TCK to TDO Delay Time			100	ns	

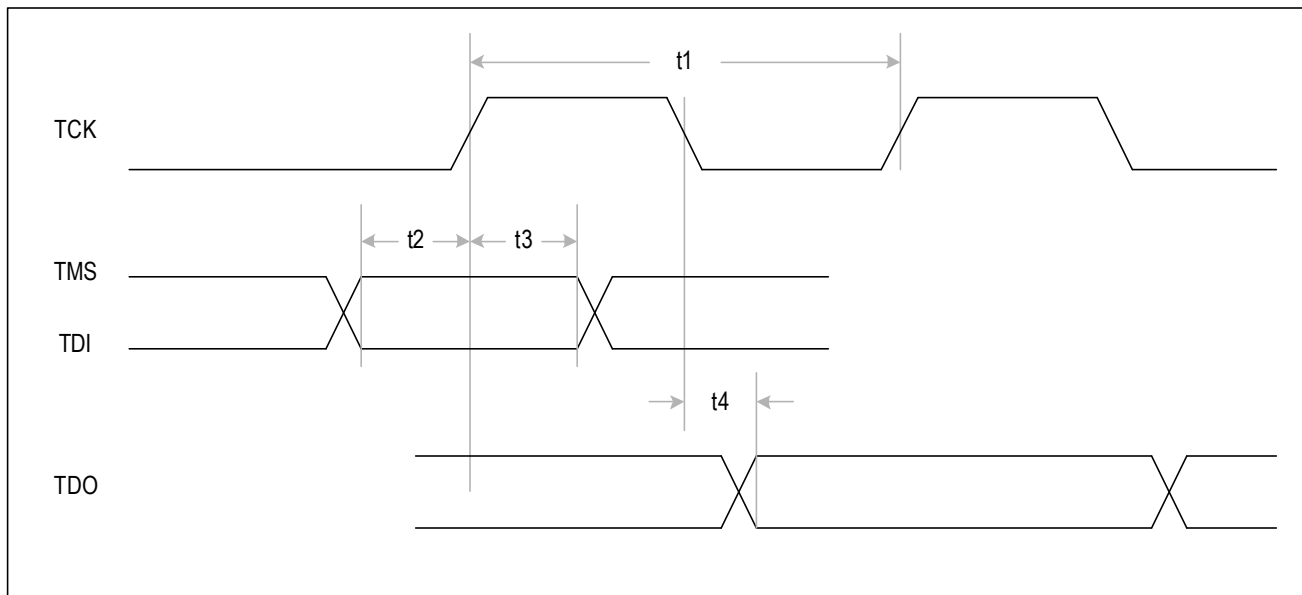


Figure - 23. JTAG Interface Timing

PARALLEL HOST INTERFACE TIMING CHARACTERISTICS**INTEL MODE READ TIMING CHARACTERISTICS**

Symbol	Parameter	Min	Typ	Max	Unit	Comments
t1	Active \overline{RD} Pulse Width	90			ns	note 1
t2	Active \overline{CS} to Active \overline{RD} Setup Time	0			ns	
t3	Inactive \overline{RD} to Inactive \overline{CS} Hold Time	0			ns	
t4	Valid Address to Inactive ALE Setup Time (in Multiplexed Mode)	5			ns	
t5	Invalid \overline{RD} to Address Hold Time (in Non-Multiplexed Mode)	0			ns	
t6	Active \overline{RD} to Data Output Enable Time	7.5		15	ns	
t7	Inactive \overline{RD} to Data Tri-State Delay Time	7.5		15	ns	
t8	Active \overline{CS} to RDY delay time	6		12	ns	
t9	Inactive \overline{CS} to RDY Tri-state Delay Time	6		12	ns	
t10	Inactive \overline{RD} to Inactive \overline{INT} Delay Time			20	ns	
t11	Address Latch Enable Pulse Width (in Multiplexed Mode)	10			ns	
t12	Address Latch Enable to \overline{RD} Setup Time (in Multiplexed Mode)	0			ns	
t13	Address Setup time to Valid Data Time (in Non-Multiplexed Mode) Inactive ALE to Valid Data Time (in Multiplexed Mode)	18		32	ns	
t14	Inactive \overline{RD} to Active RDY Delay Time	10		15	ns	
t15	Active \overline{RD} to Active RDY Delay Time	30		85	ns	
t16	Inactive ALE to Address Hold Time (in Multiplexed Mode)	5			ns	

Note 1: the t1 is determined by the start time of the valid data when the RDY signal is not used.

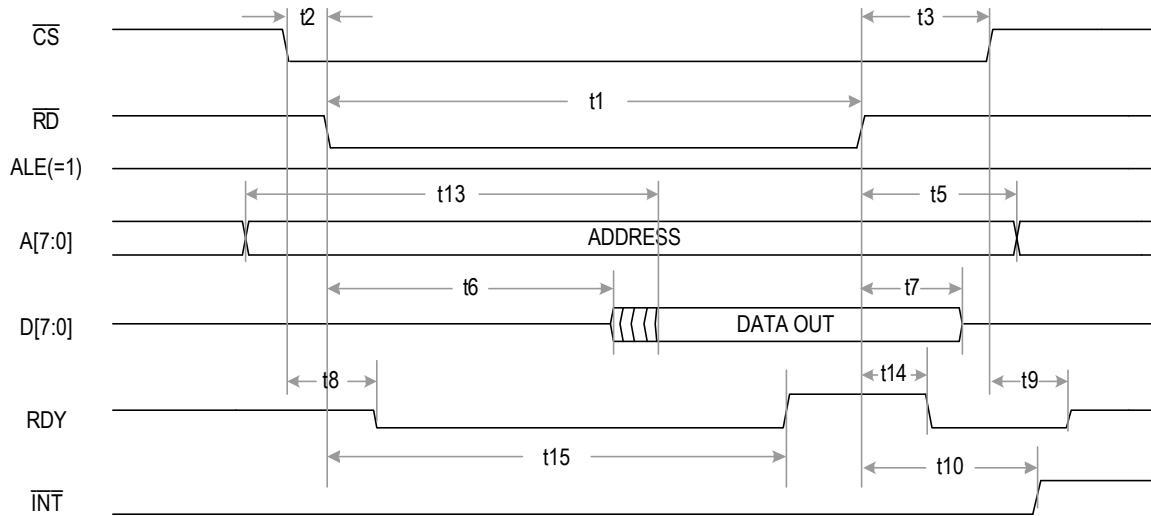


Figure - 24. Non-Multiplexed Intel Mode Read Timing

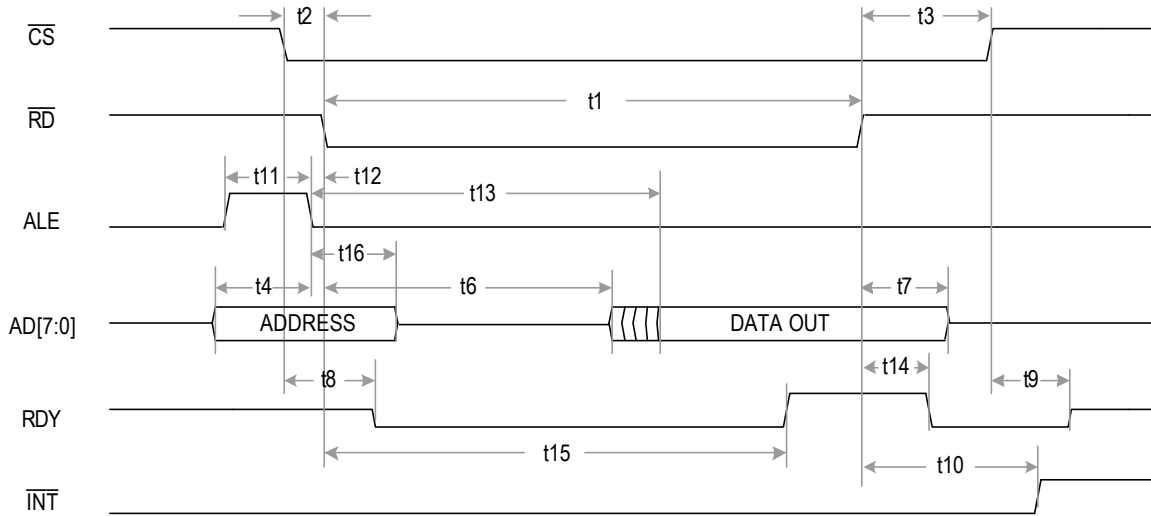


Figure - 25. Multiplexed Intel Mode Read Timing

INTEL MODE WRITE TIMING CHARACTERISTICS

Symbol	Parameter	Min	Typ	Max	Unit	Comments
t1	Active \overline{WR} Pulse Width	90			ns	note 1
t2	Active \overline{CS} to Active \overline{WR} Setup Time	0			ns	
t3	Inactive \overline{WR} to Inactive \overline{CS} Hold Time	0			ns	
t4	Valid Address to Latch Enable Setup Time (in Multiplexed Mode)	5			ns	
t5	Invalid \overline{WR} to Address Hold Time (in Non-Multiplexed Mode)	2			ns	
t6	Valid Data to Inactive \overline{WR} Setup Time	5			ns	
t7	Inactive \overline{WR} to Data Hold Time	10			ns	
t8	Active \overline{CS} to Inactive RDY Delay Time	6		12	ns	
t9	Active \overline{WR} to Active RDY Delay Time	30		85	ns	
t10	Inactive \overline{WR} to Inactive RDY Delay Time	10		15	ns	
t11	Invalid \overline{CS} to RDY Tri-State Delay Time	6		12	ns	
t12	Address Latch Enable Pulse Width (in Multiplexed Mode)	10			ns	
t13	Inactive ALE to \overline{WR} Setup Time (in Multiplexed Mode)	0			ns	
t14	Inactive ALE to Address hold time (in Multiplexed Mode)	5			ns	
t15	Address setup time to Inactive \overline{WR} time (in Non-Multiplexed Mode)	5			ns	

Note 1: the t1 can be 15ns when RDY signal is not used.

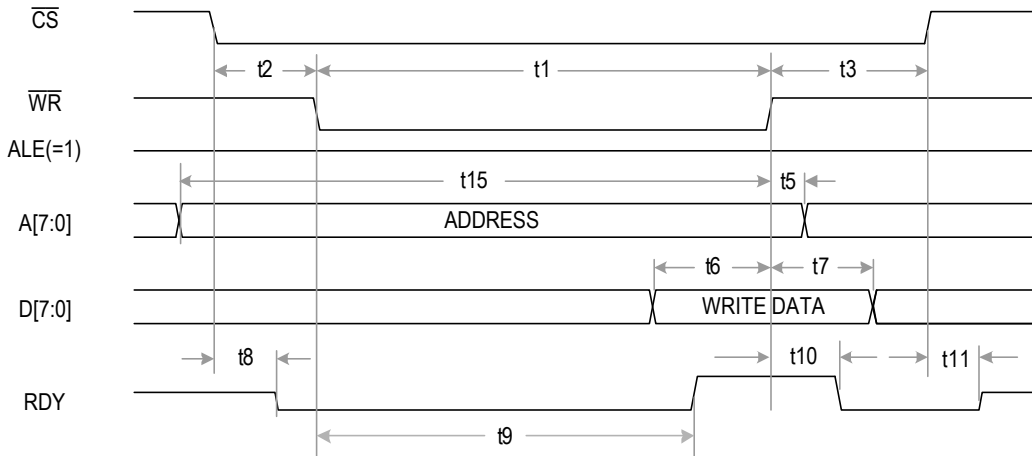


Figure - 26. Non-Multiplexed Intel Mode Write Timing

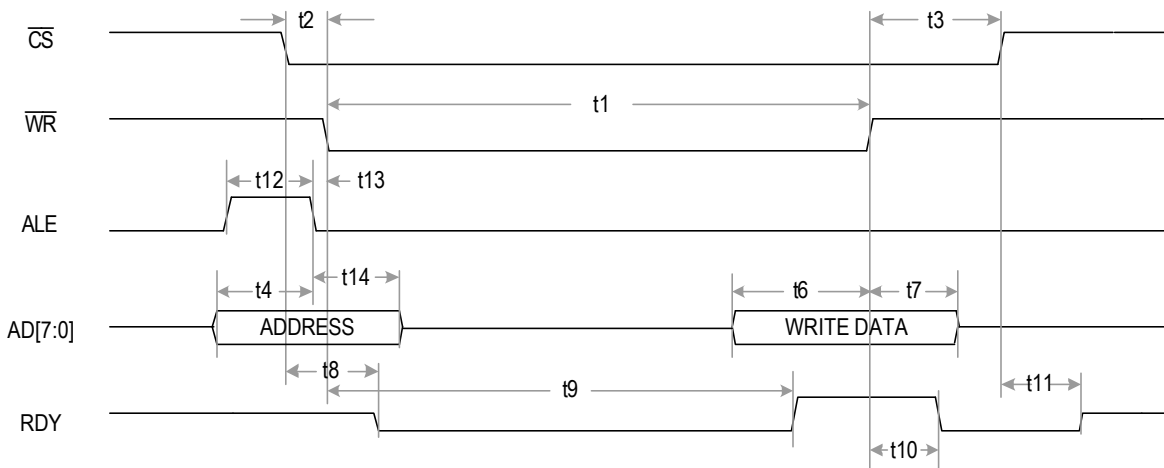


Figure - 27. Multiplexed Intel Mode Write Timing

MOTOROLA MODE READ TIMING CHARACTERISTICS

Symbol	Parameter	Min	Typ	Max	Unit	Comments
t1	Active \overline{DS} Pulse Width	90			ns	note 1
t2	Active \overline{CS} to Active \overline{DS} Setup Time	0			ns	
t3	Inactive \overline{DS} to Inactive \overline{CS} Hold Time	0			ns	
t4	Valid R/\overline{W} to Active \overline{DS} Setup Time	0			ns	
t5	Inactive \overline{DS} to R/\overline{W} Hold Time	0.5			ns	
t6	Valid Address to Active \overline{DS} Setup Time (in Non-Multiplexed Mode) Valid Address to \overline{AS} Setup Time (in Multiplexed Mode)	5			ns	
t7	Active \overline{DS} to Address Hold Time (in Non-Multiplexed Mode) Active \overline{AS} to Address Hold Time (in Multiplexed Mode)	10			ns	
t8	Active \overline{DS} to Data Valid Delay Time (in Non-Multiplexed Mode) Active \overline{AS} to Data Valid Delay Time (in Multiplexed Mode)	20		35	ns	
t9	Active \overline{DS} to Data Output Enable Time	7.5		15	ns	
t10	Inactive \overline{DS} to Data Tri-State Delay Time	7.5		15	ns	
t11	Active \overline{DS} to Active \overline{ACK} Delay Time	30		85	ns	
t12	Inactive \overline{DS} to Inactive \overline{ACK} Delay Time	10		15	ns	
t13	Inactive \overline{DS} to Invalid \overline{INT} Delay Time			20	ns	
t14	Active \overline{AS} to Active \overline{DS} Setup Time (in Multiplexed Mode)	5			ns	

Note 1: the t1 is determined by the start time of the valid data when the \overline{ACK} signal is not used.

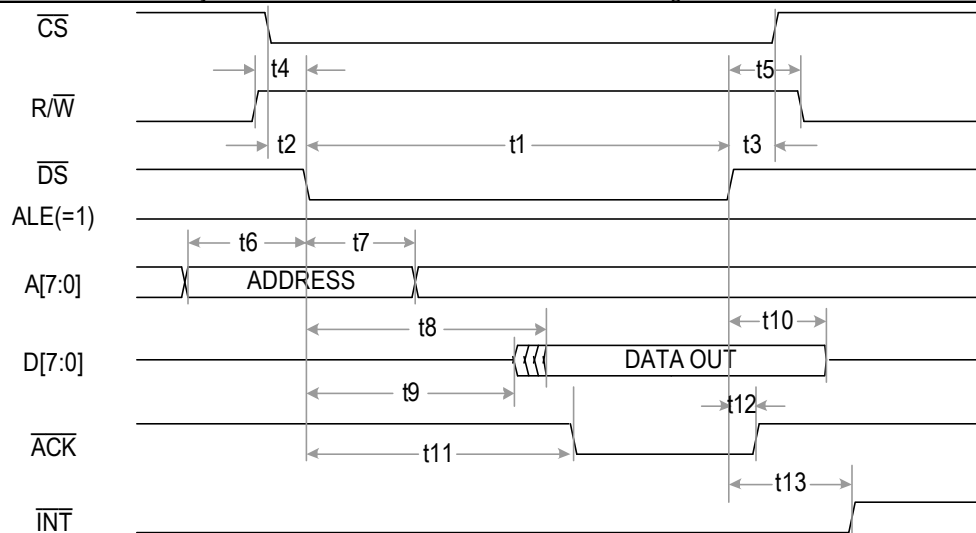


Figure - 28. Non-Multiplexed Motorola Mode Read Timing

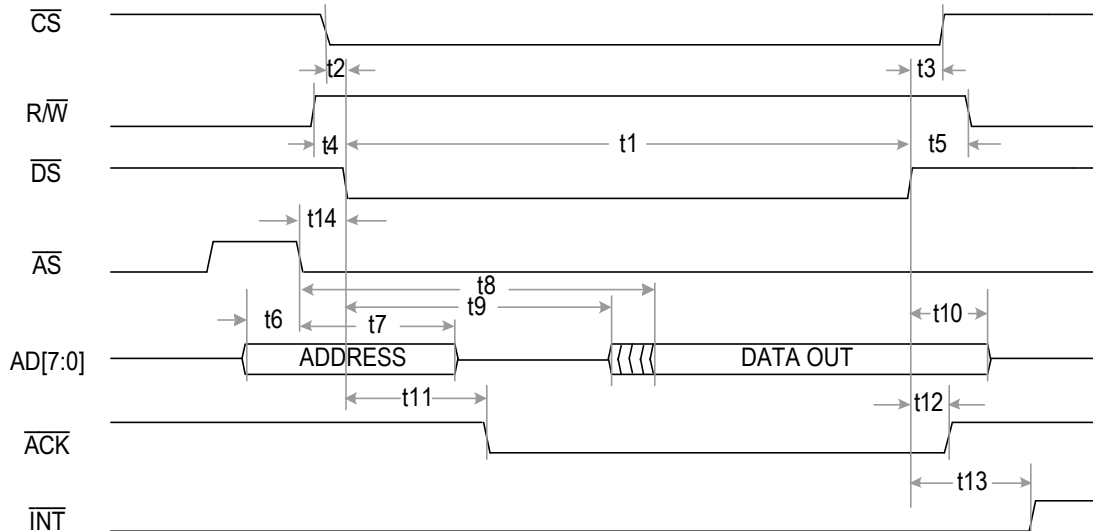


Figure - 29. Multiplexed Motorola Mode Read Timing

MOTOROLA MODE WRITE TIMING CHARACTERISTICS

Symbol	Parameter	Min	Typ	Max	Unit	Comments
t1	Active \overline{DS} Pulse Width	90			ns	note 1
t2	Active \overline{CS} to Active \overline{DS} Setup Time	0			ns	
t3	Inactive \overline{DS} to Inactive \overline{CS} Hold Time	0			ns	
t4	Valid R/\overline{W} to Active \overline{DS} Setup Time	10			ns	
t5	Inactive \overline{DS} to R/\overline{W} Hold Time	0			ns	
t6	Valid Address to Active \overline{DS} Setup Time (in Non-Multiplexed Mode) Valid Address to \overline{AS} Setup Time (in Multiplexed Mode)	10			ns	
t7	Valid \overline{DS} to Address Hold Time (in Non-Multiplexed Mode) Valid \overline{AS} to Address Hold Time (in Multiplexed Mode)	10			ns	
t8	Valid Data to Inactive \overline{DS} Setup Time	5			ns	
t9	Inactive \overline{DS} to Data Hold Time	10			ns	
t10	Active \overline{DS} to Active \overline{ACK} Delay Time	30		85	ns	
t11	Inactive \overline{DS} to Inactive \overline{ACK} Delay Time	10		15	ns	
t12	Active \overline{AS} to Active \overline{DS} (in Multiplexed Mode)	0			ns	
t13	Inactive \overline{DS} to Inactive \overline{AS} Hold Time (in Multiplexed Mode)	15			ns	

Note 1: the t1 can be 15ns when the \overline{ACK} signal is not used.

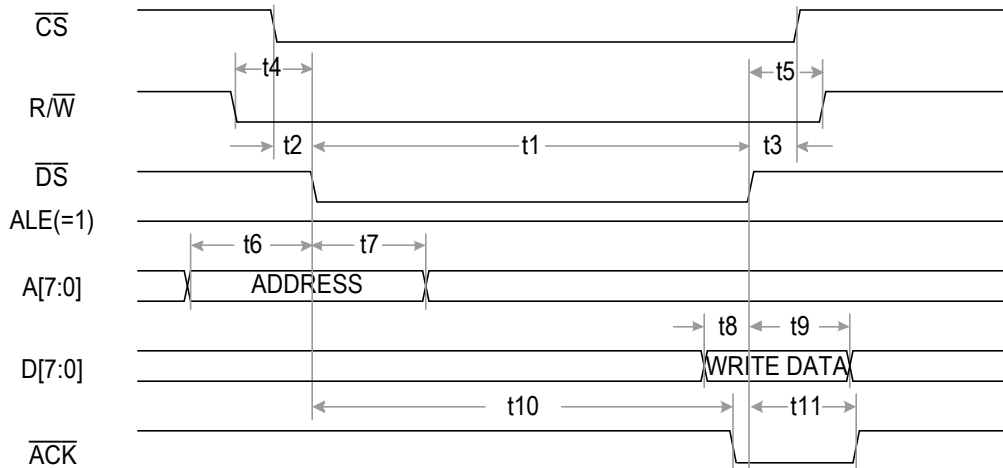


Figure - 30. Non-Multiplexed Motorola Mode Write Timing

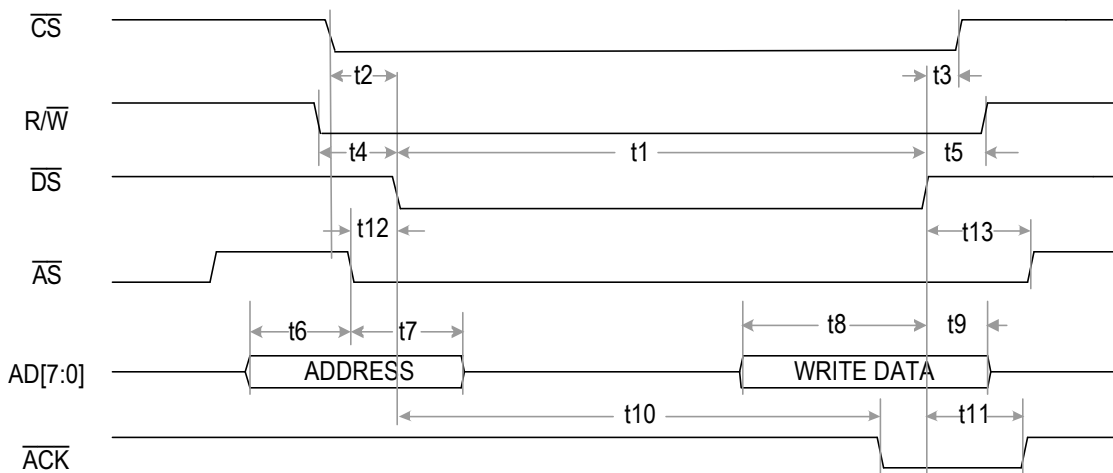


Figure - 31. Multiplexed Motorola Mode Writing Timing

SERIAL HOST INTERFACE TIMING CHARACTERISTICS

Symbol	Parameter	Min	Typ	Max	Unit	Comments
t1	SCLK High Time	25			ns	
t2	SCLK Low Time	25			ns	
t3	Active CS to SCLK Setup Time	10			ns	
t4	Last SCLK Hold Time to Inactive CS Time	50			ns	
t5	CS Idle Time	50			ns	
t6	SDI to SCLK Setup Time	5			ns	
t7	SCLK to SDI Hold Time	5			ns	
t8	Rise/Fall Time (any pin)			100	ns	
t9	SCLK Rise and Fall Time			50	ns	
t10	SCLK to SDO Valid Delay Time			100	ns	
t11	SCLK Falling Edge to SDO tri-state Hold Time (CLKE = 0) CS Rising Edge to SDO tri-state Hold Time (CLKE = 1)		100		ns	

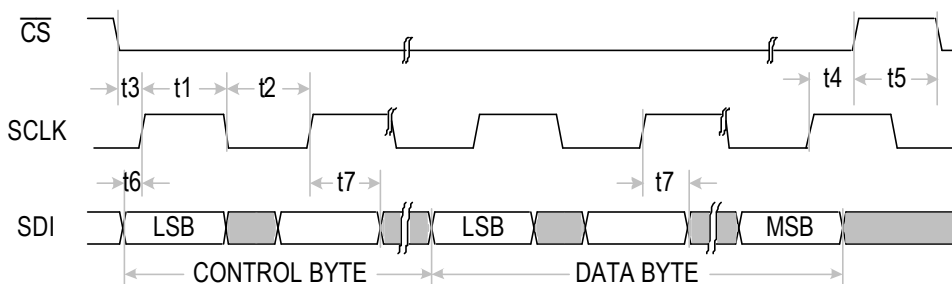


Figure - 32. Serial Interface Write Timing

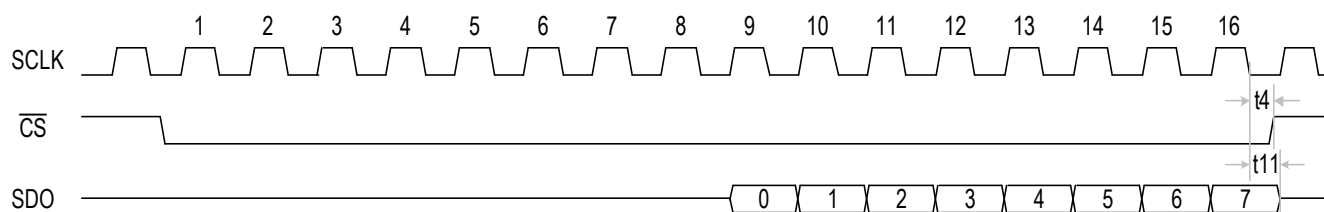


Figure - 33. Serial Interface Read Timing with CLKE = 0

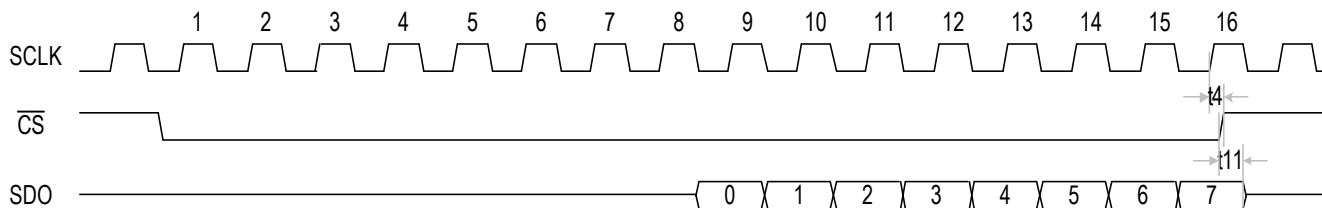


Figure - 34. Serial Interface Read Timing with CLKE = 1

JITTER TOLERANCE PERFORMANCE

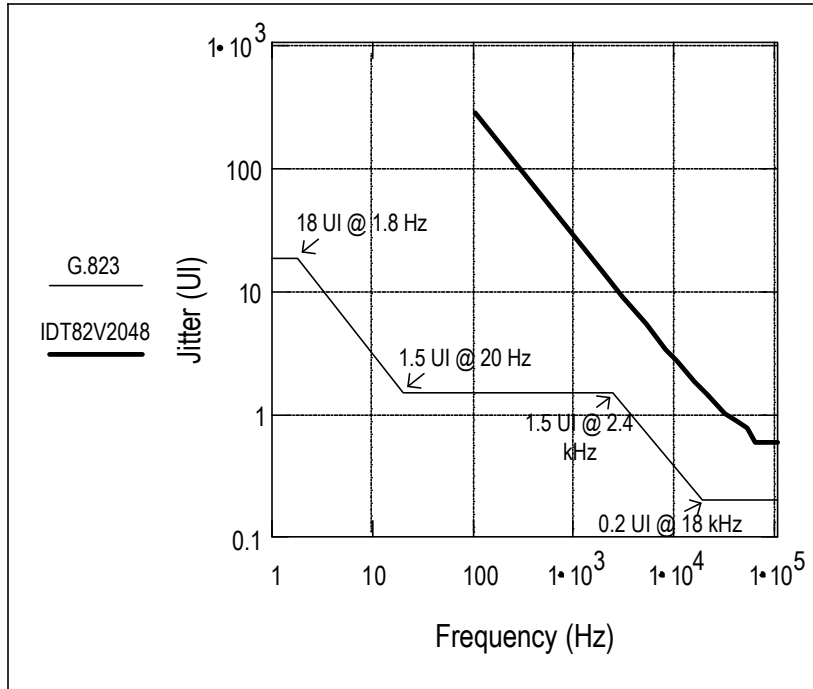


Figure - 35. E1 Jitter Tolerance Performance

Test condition: PRBS 2¹⁵-1; Line code rule HDB3 is used.

JITTER TRANSFER PERFORMANCE

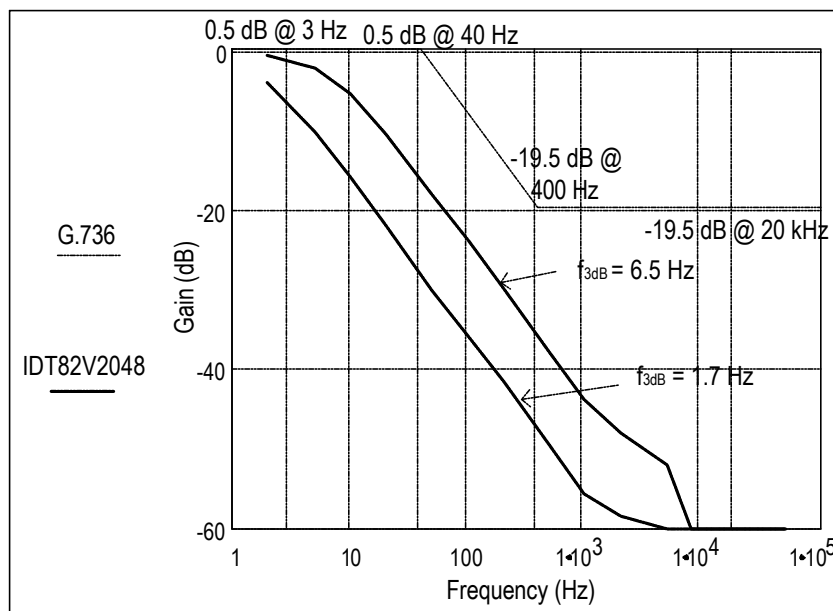
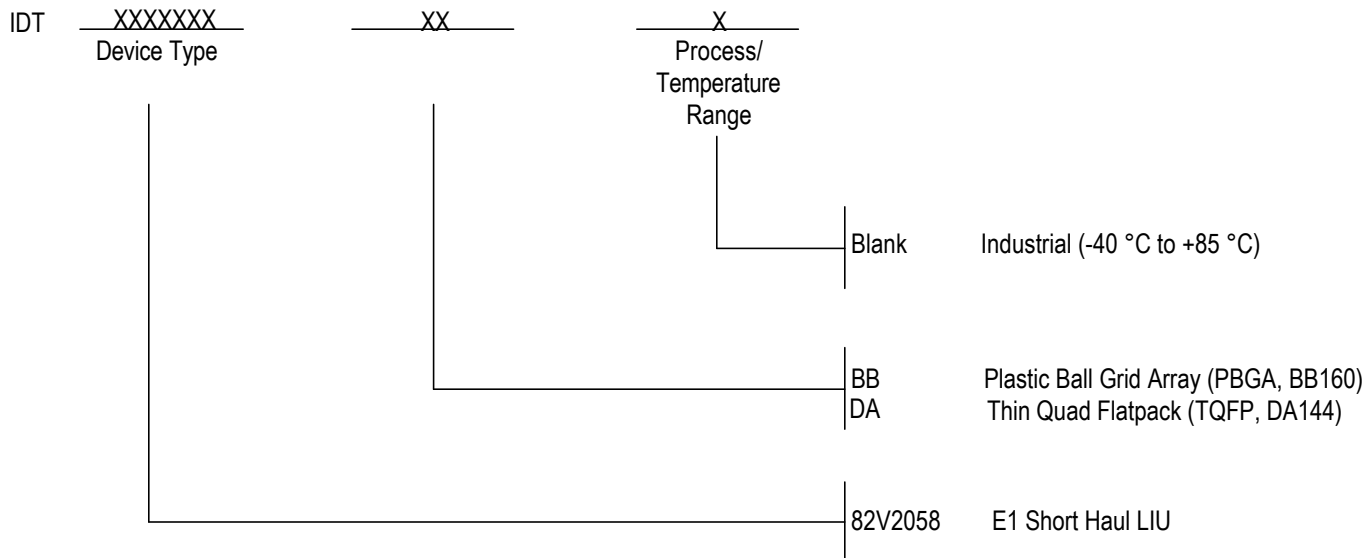


Figure - 36. E1 Jitter Transfer Performance

Test condition: PRBS 2¹⁵-1; Line code rule HDB3 is used.

ORDERING INFORMATION



Data Sheet Document History

11/4/2001	pgs. 2, 3, 10, 17
11/20/2001	pgs. 5, 6, 11, 13, 16, 17, 24, 26, 31, 38, 39, 40, 50
11/28/2001	pgs. 5, 24, 26, 31
11/29/2001	pgs. 5
12/5/2001	pgs. 9
1/24/2002	pgs. 2, 3, 9, 14, 39, 40
2/21/2002	pgs. 14, 16, 41
3/25/2002	pgs. 1, 2, 52
4/17/2002	pgs. 17
5/7/2002	pgs. 14, 44, 45, 48
1/15/2003	pgs. 1, 52



CORPORATE HEADQUARTERS
 2975 Stender Way
 Santa Clara, CA 95054

for SALES:
 800-345-7015 or 408-727-6116
 fax: 408-492-8674
 www.idt.com*

for Tech Support:

408-330-1552
 email: telecomhelp@idt.com

*To search for sales office near you, please click the sales button found on our home page or dial the 800# above and press 2.

The IDT logo is a registered trademark of Integrated Device Technology, Inc.