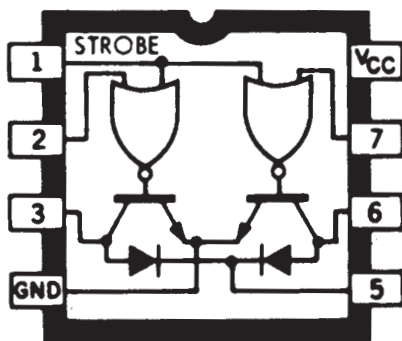


DUAL PERIPHERAL AND POWER DRIVER — TRANSIENT PROTECTED OUTPUTS



Dwg. No. A-9789

This "mini-DIP" dual peripheral and power driver is a bipolar monolithic integrated circuit incorporating NOR logic gates, high-current switching transistors, and transient suppression diodes on the same chip. The two output transistors are capable of simultaneously sinking 300 mA continuously at ambient temperatures of up to +70°C. In the OFF state, this driver will withstand at least 80 V.

The UDN5713M dual driver is ideally suited for interface between low-level or high-level logic and high-current/high-voltage loads. Typical applications include driving peripheral loads such as incandescent lamps, light-emitting diodes, memories, and heaters with a load current of up to 600 mA.

The integral transient suppression diodes allow the use of these drivers with inductive loads such as relays, solenoids, or stepping motors without the need for discrete diodes. Similar devices with four drivers per package are the 5703 and 5706.

FEATURES

- DTL/TTL/PMOS/CMOS Compatible Inputs
- Low Input Current
- 300 mA Continuous Output Current
- Stand-off Voltage of 80 V

ABSOLUTE MAXIMUM RATINGS

Supply Voltage, V_{CC}	7.0 V
Input Voltage, V_{IN}	30 V
Output Off-State Voltage, V_{OFF}	80 V
Output On-State Sink Current, I_{ON}	600 mA
Suppression Diode Off-State Voltage, V_{OFF}	80 V
Suppression Diode On-State Current, I_{ON}	600 mA
Power Dissipation at $T_A = 25^\circ\text{C}$, P_D	
Package	1.5 W*
Each Driver	0.8 W
Operating Free-Air Temperature Range, T_A	-20°C to +85°C
Storage Temperature Range, T_S	-55°C to +150°C

*Derate at the rate of 12.5 mW/°C above
 $T_A = 25^\circ\text{C}$.

Always order by complete part number, e.g., **UDN5713M**.

5713

DUAL PERIPHERAL AND POWER DRIVER

RECOMMENDED OPERATING CONDITIONS

	Min.	Nom.	Max.	Units
Supply Voltage (V_{CC})	4.75	5.0	5.25	V
Operating Temperature Range	0	+25	+85	°C
Current into any output (ON state)	—	—	300	mA

ELECTRICAL CHARACTERISTICS over operating temperature range (unless otherwise noted).

Characteristic	Symbol	Test Conditions					Limits			Notes	
		Temp.	V_{CC}	Driven Input	Other Input	Output	Min.	Typ.	Max.		Units
"1" Input Voltage	$V_{IN(1)}$	—	MIN	—	—	—	2.0	—	—	V	—
"0" Input Voltage	$V_{IN(0)}$	—	MIN	—	—	—	—	—	0.8	V	—
"0" Input Current at all Inputs except Strobe	$I_{IN(0)}$	—	MAX	0.4 V	30 V	—	—	-50	-100	μA	2
"0" Input Current at Strobe	$I_{IN(0)}$	—	MAX	0.4 V	30 V	—	—	-100	-200	μA	—
"1" Input Current at all Inputs except Strobe	$I_{IN(1)}$	—	MAX	30 V	0 V	—	—	—	10	μA	2
"1" Input Current at Strobe	$I_{IN(1)}$	—	MAX	30 V	0 V	—	—	—	20	μA	—
Input Clamp Voltage	V_{IK}	—	MIN	-12 mA	—	—	—	—	-1.5	V	—

SWITCHING CHARACTERISTICS at $V_{CC} = 5.0$ V, $T_A = 25^\circ\text{C}$

Characteristic	Symbol	Test Conditions	Limits			Units	Notes
			Min.	Typ.	Max.		
Turn-on Delay Time	t_{pd0}	$V_S = 70$ V, $R_L = 465 \Omega$ (10 Watts), $C_L = 15$ pF	—	200	500	ns	3
Turn-off Delay Time	t_{pd1}	$V_S = 70$ V, $R_L = 465 \Omega$ (10 Watts), $C_L = 15$ pF	—	300	750	ns	3

- NOTES: 1. Typical values are at $V_{CC} = 5.0$ V, $T_A = 25^\circ\text{C}$.
 2. Each input tested separately.
 3. Voltage values shown in the test circuit waveforms are with respect to network ground terminal.
 4. Capacitance values specified include probe and test fixture capacitance.

INPUT PULSE CHARACTERISTICS

$V_{IN(0)} = 0$ V	$t_f = 7$ ns	$t_p = 1$ μs
$V_{IN(1)} = 3.5$ V	$t_r = 14$ ns	PRR = 500 kHz



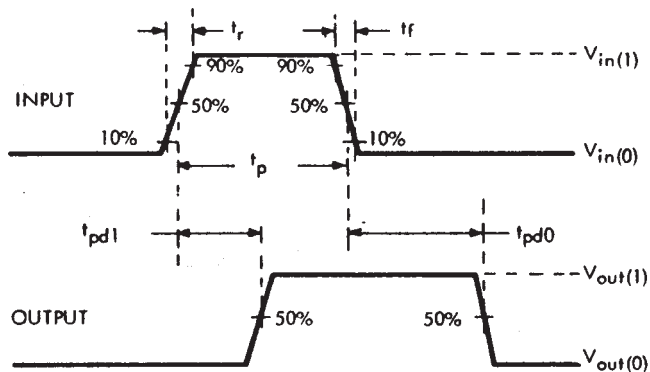
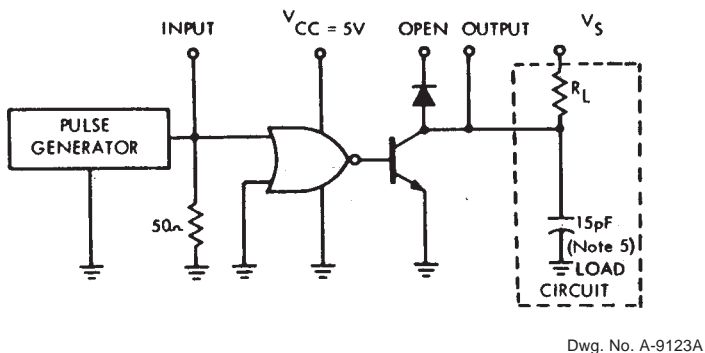
5713

DUAL PERIPHERAL AND POWER DRIVER

ELECTRICAL CHARACTERISTICS over operating temperature range (unless otherwise noted).

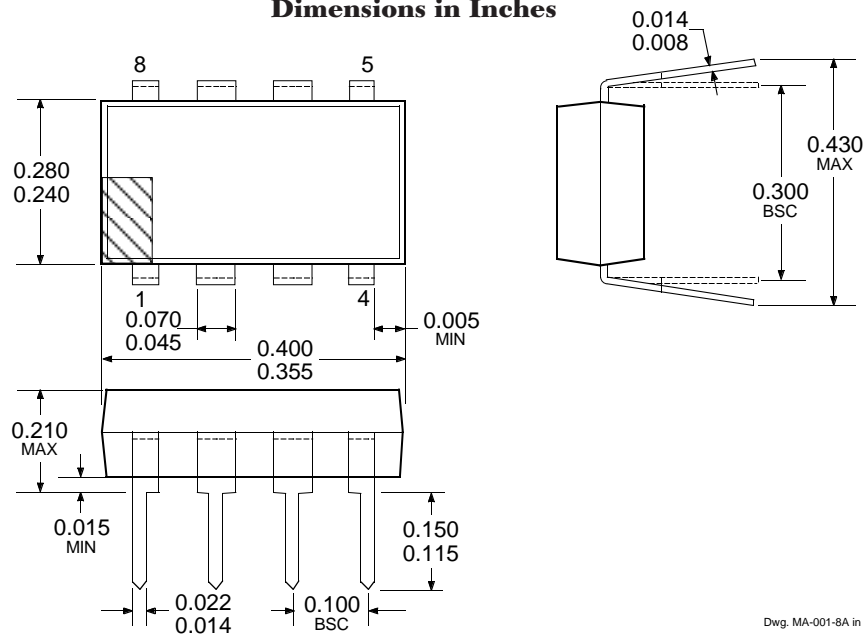
Characteristic	Symbol	Test Conditions					Limits				Notes
		Temp.	V _{CC}	Driven Input	Other Input	Output	Min.	Typ.	Max.	Units	
"1" Output Reverse Current	I _{OFF}	—	MIN	2.0 V	0 V	80 V	—	—	100	μA	—
		—	OPEN	2.0 V	0 V	80 V	—	—	100	μA	—
"0" Output Voltage	V _{ON}	—	MIN	0.8 V	0.8 V	150 mA	—	0.35	0.5	V	—
		—	MIN	0.8 V	0.8 V	300 mA	—	0.5	0.7	V	—
Diode Leakage Current	I _{LK}	NOM	NOM	0 V	0 V	OPEN	—	—	200	μA	3
Diode Forward Voltage Drop	V _D	NOM	NOM	V _{CC}	V _{CC}	—	—	1.5	1.75	V	4
"1" Level Supply Current	I _{CC(1)}	NOM	MAX	5.0 V	5.0 V	—	—	8.0	13	mA	1, 2
"0" Level Supply Current	I _{CC(0)}	NOM	MAX	0 V	0 V	—	—	36	50	mA	1, 2

- NOTES: 1. Typical values are at V_{CC} = 5.0 V, T_A = 25°C.
 2. Per package.
 3. Diode leakage current measured at V_R = 80 V.
 4. Diode forward voltage drop measured at I_F = 300 mA.
 5. Capacitance values specified include probe and test fixture capacitance.

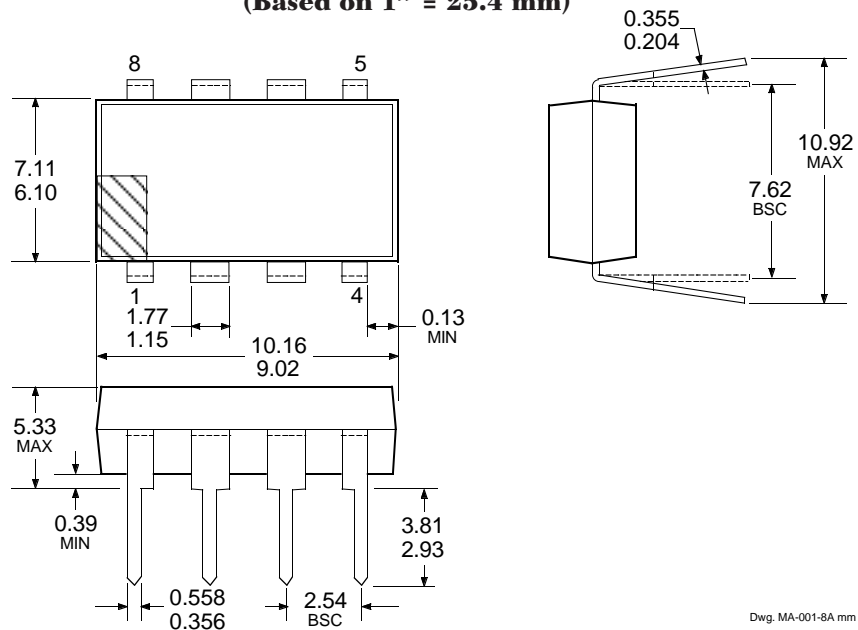


5713 DUAL PERIPHERAL AND POWER DRIVER

Dimensions in Inches



Dimensions in Millimeters (Based on 1" = 25.4 mm)



Allegro MicroSystems, Inc. reserves the right to make, from time to time, such departures from the detail specifications as may be required to permit improvements in the design of its products.

NOTES: 1. Lead thickness is measured at seating plane or below.
2. Lead spacing tolerance is non-cumulative.
3. Exact body and lead configuration at vendor's option within limits shown.

The information included herein is believed to be accurate and reliable. However, Allegro MicroSystems, Inc. assumes no responsibility for its use; nor for any infringements of patents or other rights of third parties which may result from its use.



115 Northeast Cutoff, Box 15036
Worcester, Massachusetts 01615-0036 (508) 853-5000