

KFO-TX13CB

Features

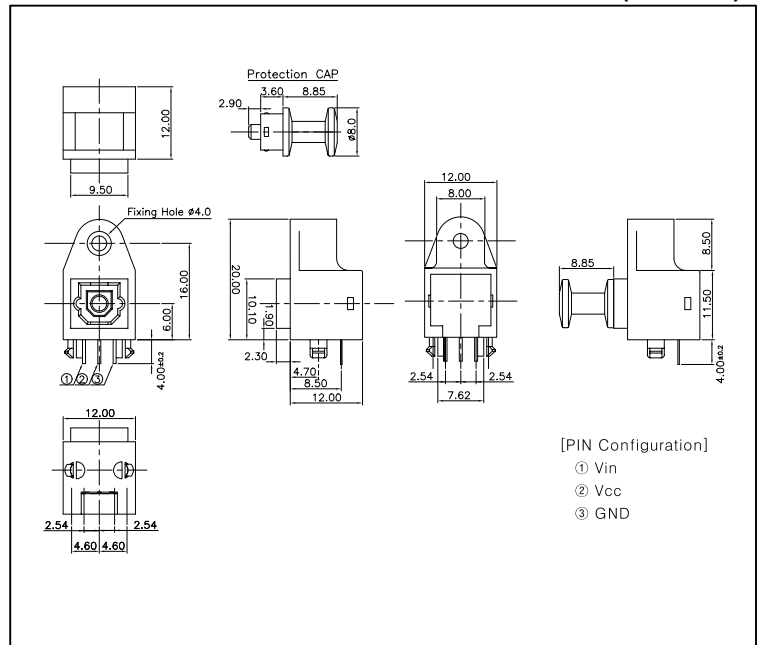
- Low Jitter Output
- Operating Voltage : 2.7 ~ 5.5V
- TTL Compatible Interface
- Signal Transmission Speed : 13.2Mbps
- 2 pin Cap Housing

Applications

- Digital Audio Equipment(CD,MD),
STB, DVDP, etc

Dimensions

(Unit : mm)



Absolute Maximum Ratings

[Ta = 25°C]

Description	Symbol	Ratings	Condition
Power Supply Voltage	V _{CC}	-0.5 ~ +7.0	-
Input Voltage	V _{IN}	V _{CC} +0.5V	-
Operating Temperature	T _{opr}	-20 ~ +70°C	-
Storage Temperature	V _{stg}	- 30 ~ + 80°C	-
Soldering Temperature *1	T _{sol}	260 °C	-

*1 : Soldering Time ≤ 10 seconds(At a distance of 1mm from the package)

Electro-Optical Characteristics

[V_{CC}= 5V, Ta= 25°C]

Parameter	Symbol	Characteristics	Condition
Operating Supply Voltage	V _{CC}	2.7 ~ 5.5 V	-
Peak Emission Wavelength	λ _p	TYP 660 nm	-
Data Rate	T	TYP 13.2 Mbps	-
Optical Output Coupling with Fiber	P _c	MIN -21 dBm	-
Current Consumption	I _{CC}	MAX 8.0 mA	-
Input High Level	V _{IH}	MIN 2.0 V	-
Input Low Level	V _{IL}	MAX 0.8 V	-
Propagation Delay Time (H -> L)	t _{pHL}	MAX 100 ns	-
Propagation Delay Time (L -> H)	t _{pLH}	MAX 100 ns	-
Rise Time	t _r	MAX 30 ns	-
Fall Time	t _r	MAX 30 ns	-
Pulse Width Distortion	△ tw	MAX 15 ns	-
Jitter	△ tj	MAX 25 ns	-