

1.02" Single Digit Display

FEATURES

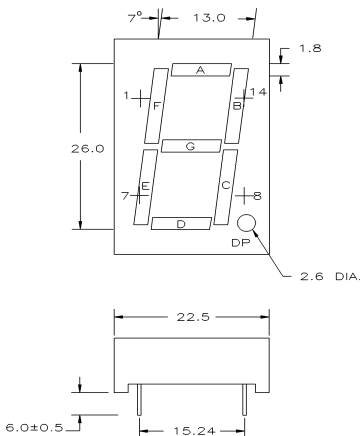
- 1.02" digit height
- Right hand decimal point
- Additional colors/materials available

OPTO-ELECTRICAL CHARACTERISTICS (Ta = 25°C)

PART NO.	PEAK WAVE LENGTH (nm)	EMITTED COLOR	FACE COLORS		MAXIMUM RATINGS			OPTO-ELECTRICAL CHARACTERISTICS						PIN-OUT	
			SURFACE COLOR	EPOXY COLOR	IF (mA)	VR (V)	PD (mW)	VF(V)			IR(μA)		IV(μcd)		
								Seg. typ.	DP typ.	@mA	max.	@VR	typ. per seg.		@mA
MTN2126-AG	567	Green	Grey	White	30	5	85	4.2	2.1	20	100	5	4600	10	1
MTN4126-AO	635	Orange	Grey	White	30	5	85	4.2	2.1	20	100	5	5200	10	1
MTN4126-AHR	635	Hi-Eff Red	Red	Red	30	5	85	4.2	2.1	20	100	5	5200	10	1
MTN7126M-21A	660	Ultra Red	Grey	White	30	4	70	3.4	1.7	20	100	4	27400	20	1
MTN2126-CG	567	Green	Grey	White	30	5	85	4.2	2.1	20	100	5	4600	10	2
MTN4126-CO	635	Orange	Grey	White	30	5	85	4.2	2.1	20	100	5	5200	10	2
MTN4126-CHR	635	Hi-Eff Red	Red	Red	30	5	85	4.2	2.1	20	100	5	5200	10	2
MTN7126M-21C	660	Ultra Red	Grey	White	30	4	70	3.4	1.7	20	100	4	27400	20	2

Operating Temperature: -25~+85, Storage Temperature: -25~+100. Other face/epoxy colors are available.

PACKAGE DIMENSIONS AND PIN FUNCTIONS



PINOUT 1

COMMON ANODE

PIN NO. FUNCTION

1. CATHODE A
2. CATHODE F
3. COMMON ANODE
4. NO PIN
5. NO PIN
6. COMMON ANODE
7. CATHODE E
8. CATHODE D
9. CATHODE DP
10. CATHODE C
11. CATHODE G
12. NO PIN
13. CATHODE B
14. COMMON ANODE

PINOUT 2

COMMON CATHODE

PIN NO. FUNCTION

1. ANODE A
2. ANODE F
3. COMMON CATHODE
4. NO PIN
5. NO PIN
6. COMMON CATHODE
7. ANODE E
8. ANODE D
9. ANODE DP
10. ANODE C
11. ANODE G
12. NO PIN
13. ANODE B
14. COMMON CATHODE

1. ALL DIMENSIONS ARE IN mm, TOLERANCE IS ± 0.25 mm UNLESS OTHERWISE SPECIFIED.
2. THE SLOPE ANGLE OF ANY PIN MAY BE $\pm 5.0^\circ$ MAX.



120 Broadway • Menands, New York 12204

Toll Free: (800) 98-4LEDS • Fax: (518) 432-7454

For up-to-date product info visit our web site at www.marktechopto.com

All specifications subject to change.