

0.28" Dual Digit Display

FEATURES

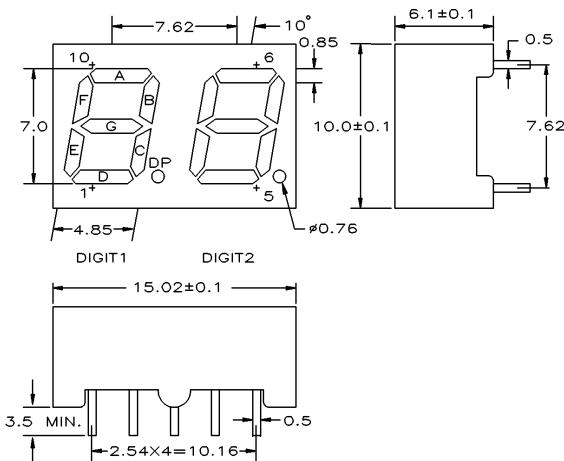
- 0.28" digit height
- Optional decimal point
- Additional colors/materials available

OPTO-ELECTRICAL CHARACTERISTICS (Ta = 25°C)

PART NO.	PEAK WAVE LENGTH (nm)	EMITTED COLOR	FACE COLORS		MAXIMUM RATINGS			OPTO-ELECTRICAL CHARACTERISTICS						PIN-OUT	
			SURFACE COLOR	EPOXY COLOR	IF (mA)	VR (V)	PD (mW)	VF(V)			IR(μA)		IV(mcd)		
								typ.	max.	@mA	max.	@VR	typ. per seg.		@mA
MTN2228-11A	567	Green	Grey	White	30	5	85	2.1	2.6	20	100	5	2.5	10	1
MTN4228-11A	635	Orange	Grey	White	30	5	85	2.1	3.0	20	100	5	2.9	10	1
MTN4228R-11A	635	Hi-Eff Red	Red	Red	30	5	85	2.1	3.0	20	100	5	2.9	10	1
MTN2228-11C	567	Green	Grey	White	30	5	85	2.1	2.6	20	100	5	2.5	10	2
MTN4228-11C	635	Orange	Grey	White	30	5	85	2.1	3.0	20	100	5	2.9	10	2
MTN4228R-11C	635	Hi-Eff Red	Red	Red	30	5	85	2.1	3.0	20	100	5	2.9	10	2

Operating Temperature: -25~+85, Storage Temperature: -25~+100. Other face/epoxy colors are available.

PACKAGE DIMENSIONS AND PIN FUNCTIONS



PINOUT 1

COMMON ANODE

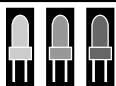
PIN NO.	FUNCTION
1.	CATHODE E
2.	CATHODE D
3.	CATHODE C
4.	CATHODE G
5.	CATHODE DP
6.	D2 COMMON ANODE
7.	CATHODE A
8.	CATHODE B
9.	D1 COMMON ANODE
10.	CATHODE F

PINOUT 2

COMMON CATHODE

PIN NO.	FUNCTION
1.	ANODE E
2.	ANODE D
3.	ANODE C
4.	ANODE G
5.	ANODE DP
6.	D2 COMMON CATHODE
7.	ANODE A
8.	ANODE B
9.	D1 COMMON CATHODE
10.	ANODE F

1. ALL DIMENSIONS ARE IN mm, TOLERANCE IS ± 0.25 mm UNLESS OTHERWISE SPECIFIED.
2. THE SLOPE ANGLE OF ANY PIN MAY BE $\pm 5.0^\circ$ MAX.



marktech
optoelectronics

120 Broadway • Menands, New York 12204

Toll Free: (800) 98-4LEDS • Fax: (518) 432-7454