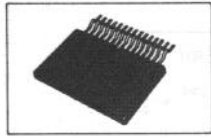




No. 1535

**STK3062III**



Thick Film Hybrid Integrated Circuit  
**2-CHANNEL VOLTAGE AMPLIFIER FOR  
 60 TO 70W AF POWER AMPLIFIER**

**Features**

- . The AC amp circuit configuration eliminates the need to use the external middle-point adjust circuit.
- . External parts provide more flexibility in phase compensation.
- . Low distortion (0.005%) due to built-in current mirror circuit.

**Maximum Ratings at Ta=25°C**

			unit
Maximum Supply Voltage	$V_{CCmax}$	$\pm 59$	V
Operating IC Case Temperature	TC	<b>115</b>	°C
Storage Temperature	Tstg	-30 to +115	°C

**Operating Characteristics at Ta=25°C, VG=40dB, at Test Circuit.**

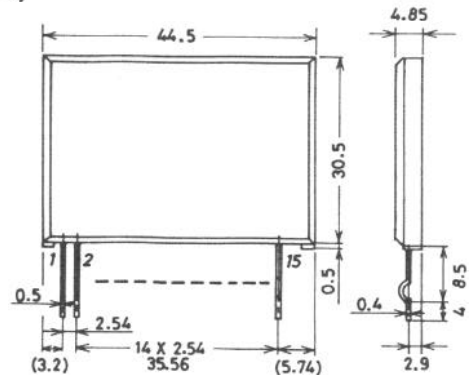
			min	typ	max	unit
Current Dissipation	$I_{CC}$	$V_{CC}=\pm 48V$		<b>20</b>	<b>30</b>	mA
Middle-Point Voltage	$V_N$	$V_{CC}=\pm 48V$	<b>-50</b>		+50	mV
Output Noise Voltage	$V_{NO}$	$V_{CC}=\pm 48V, R_g=10k\Omega$			1.0	mV
Input Impedance	$r_{i1}$	$V_{CC}=\pm 48V, f=1kHz, V_o=2.83V$		92		kohm
Total Harmonic Distortion	THD	$V_{CC}=\pm 41V, f=20kHz, V_o=22.0V$			<b>0.005</b>	%

(Note)

When testing, use a regulated power supply unless otherwise specified.

**Case Outline 4053**

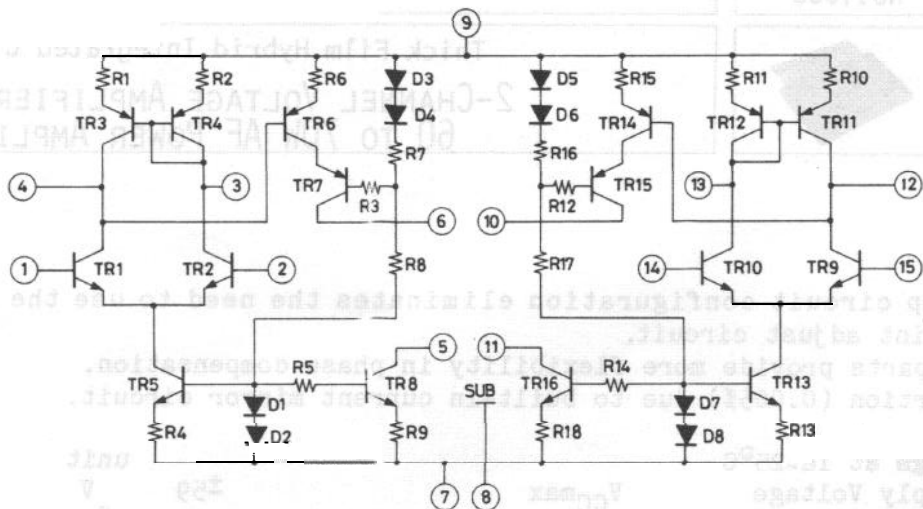
(unit:mm)



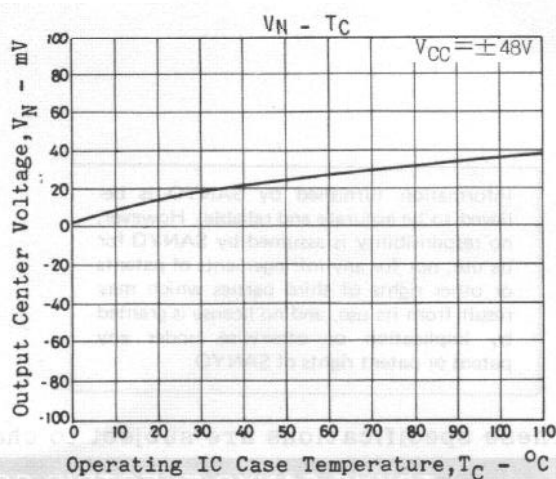
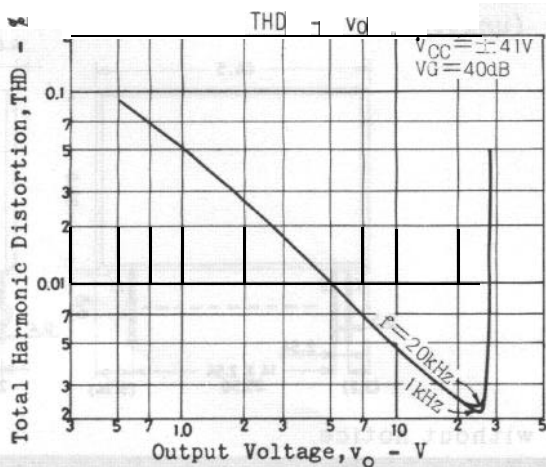
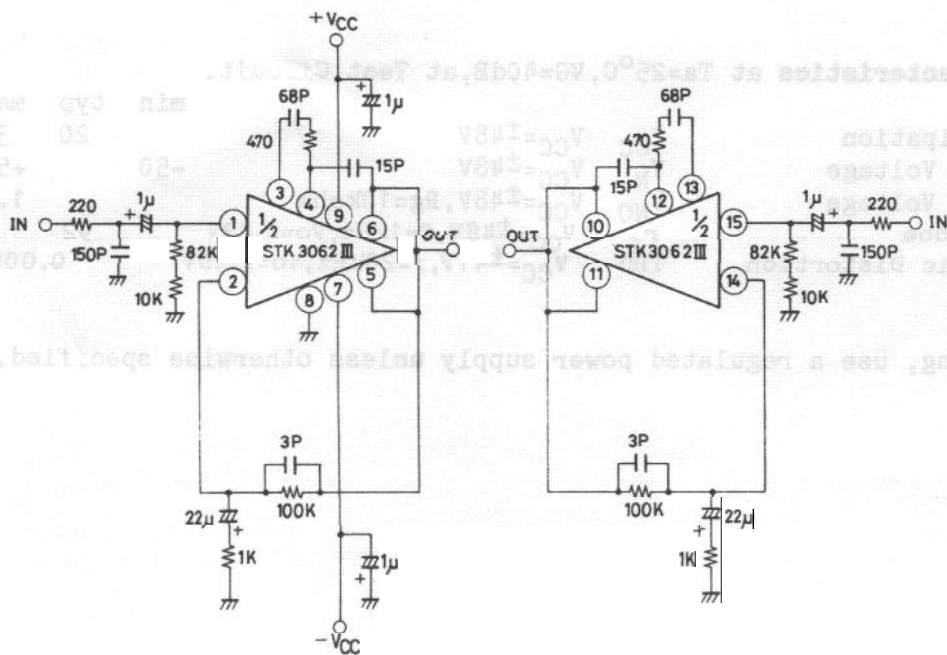
Information furnished by SANYO is believed to be accurate and reliable. However, no responsibility is assumed by SANYO for its use; nor for any infringements of patents or other rights of third parties which may result from its use, and no license is granted by implication or otherwise under any patent or patent rights of SANYO.

These specifications are subject to change without notice.

Equivalent Circuit



Test Circuit



Sample Application Circuit

STK3062 III

