

### Features

- Single chip solution with only a few external components
- Stand-alone fixed-frequency transceiver operation modes
- Programmable multi-channel transceiver operation modes
- Low current consumption in active mode and very low standby current
- PLL-stabilized RF VCO (LO) with internal varactor diode
- Lock detection in programmable channel applications
- 3wire bus serial control interface
- FSK/ASK modulation selection
- FSK for digital data and FM for analog signal reception
- RSSI allows signal strength indication and ASK detection
- Switchable LNA gain for improved dynamic range
- Automatic PA turn-on after PLL lock
- FM possible with external varactor
- ASK modulation achieved by on/off keying
- AFC option for extended input frequency acceptance range
- Surface mount package LQFP32

### Ordering Information

<b>Part No. (Engineering Samples)</b>	<b>Temperature Code</b>	<b>Package Code</b>
TH7120 (TH7120-03)	E (-40 °C to 85 °C)	NE (LQFP32)

### Application Examples

- General bi-directional half duplex digital data transmission or analog signal transmission
- Low-power telemetry
- Alarm and security systems
- Keyless car and central locking
- Domotics
- Model control

### Technical Data Overview

- Frequency range: 300 MHz to 930 MHz for programmable channel applications
- 315 MHz, 433 MHz, 868 MHz or 915 MHz fixed-frequency single-channel variants
- Power supply range: 2.5 V to 5.5 V
- Temperature range: -40 °C to +85 °C
- Standby current: 50 nA
- Operating current: 6.0 mA in receive mode at low gain
- Operating current 9.0 mA in transmit mode at 0 dBm output power
- Adjustable output power range from -15 dBm to +6 dBm
- Sensitivity: -103 dBm at FSK with 150 kHz IF filter BW
- Sensitivity: -105 dBm at ASK with 150 kHz IF filter BW
- Maximum data rate for FSK and ASK: 60 kbit/s NRZ
- Maximum input level: -10 dBm at FSK and -20 dBm at ASK
- Input frequency acceptance:  $\pm 50$  kHz (with AFC option)
- Frequency deviation range:  $\pm 5$  kHz to  $\pm 100$  kHz
- Maximum analog modulation frequency: 20 kHz
- 3 MHz to 12 MHz crystal reference

## General Description

The TH7120 is a single chip FSK/FM/ASK transceiver IC. It is designed to operate in low-power multi-channel programmable or single-channel stand-alone, half-duplex data transmission systems. It can be used for ISM, SRD or any other application operating in the frequency ranging of 300 MHz to 930 MHz.

The TH7120 transceiver IC consists of the following building blocks:

- Low-noise amplifier (LNA) for high-sensitivity RF signal reception with switchable gain
- Mixer (MIX) for RF-to-IF down-conversion
- IF amplifier (IFA) to amplify and limit the IF signal and for RSSI generation
- Phase-coincidence demodulator with external ceramic discriminator (FSK Demodulator)
- Operational amplifier, connected to demodulator output (OA1)
- Operational amplifier, integrator circuit at FSK-AFC mode (OA2)
- Control logic with 3wire bus serial control interface (SCI)
- Reference oscillator (RO) with external crystal
- Reference divider (R counter)
- Programmable divider (N/A counter)
- Phase-frequency detector (PFD)
- Charge pump (CP)
- Voltage control oscillator (VCO) with internal varactor
- Power amplifier (PA) with adjustable output power

The transceiver can be used either as a 3wire-bus-controlled programmable or as a stand-alone fixed-frequency device. After power up, the transceiver is set to fixed-frequency mode. In this mode, pins FS0/SDEN and FS1/LD must be connected to  $V_{EE}$  or  $V_{CC}$  in order to set the desired frequency of operation. The logic levels at pins FS0/SDEN and FS1/LD must not be changed after power up in order to remain in fixed-frequency mode.

Channel frequency	433.92 MHz	868.3 MHz	315.0 MHz	915.0 MHz
FS0/SDEN	1	0	1	0
FS1/LD	0	0	1	1

After the first logic level change at pin FS0/SDEN, the transceiver enters into programmable mode while pin FS1/LD is now a PLL lock detector output. In this mode, the user can set any PLL frequency or mode of operation by the SCI.

In the fixed-frequency mode, the user can set the transceiver to Standby, Receive, Transmit or Idle (only PLL synthesizer active) mode via control pins RE/SCLK and TE/SDTA.

Operation mode	Standby	Receive	Transmit	Idle
RE/SCLK	0	1	0	1
TE/SDTA	0	0	1	1

Block Diagram

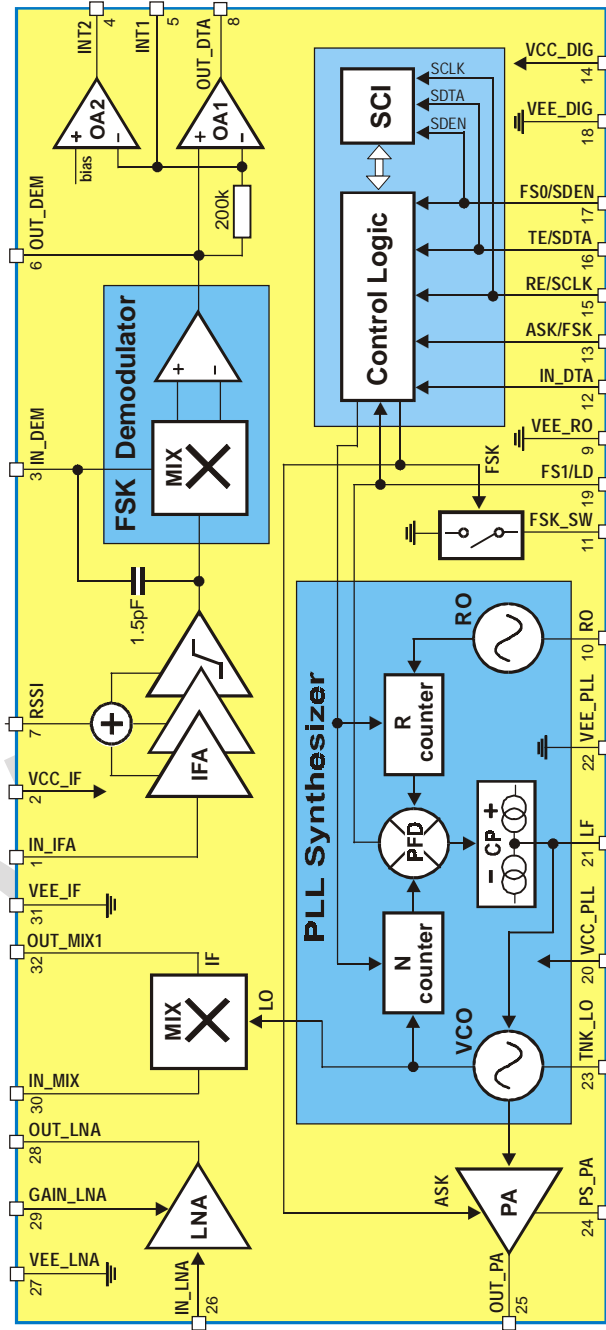
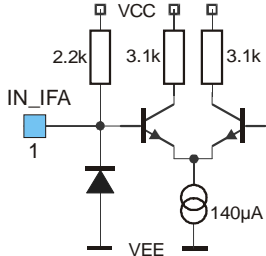
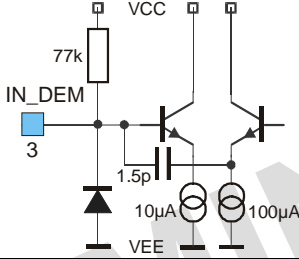
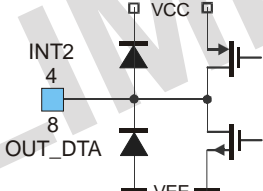
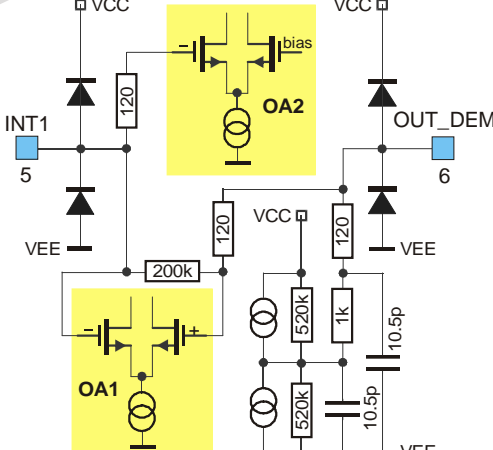
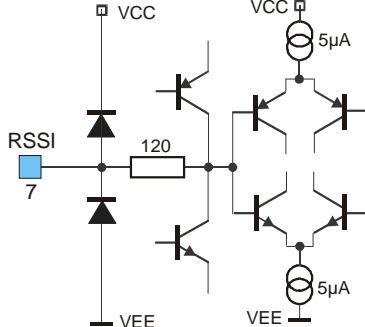
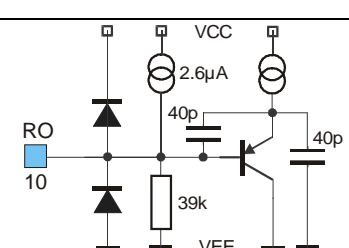
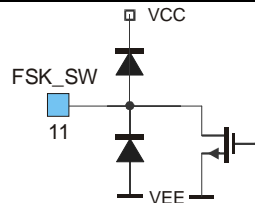
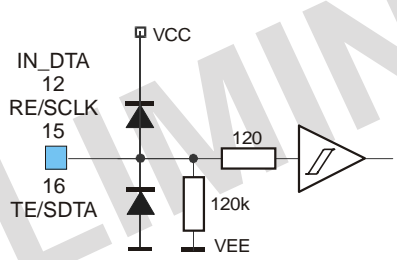
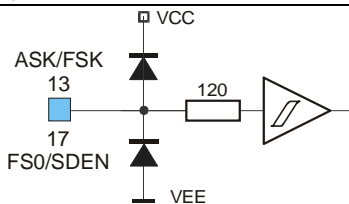
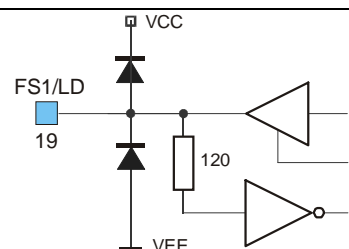
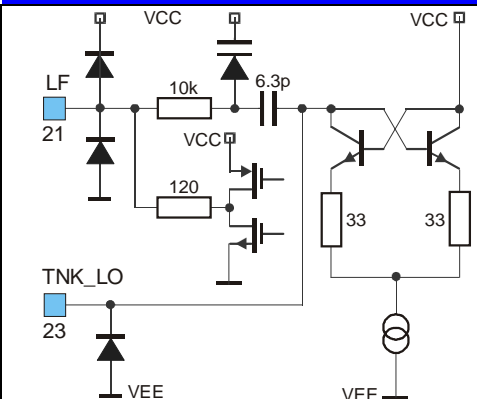
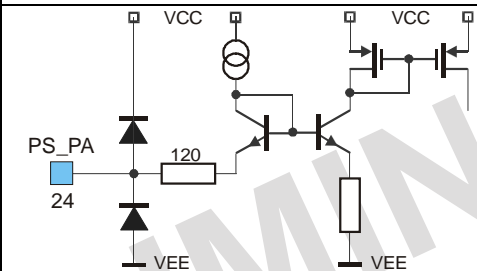
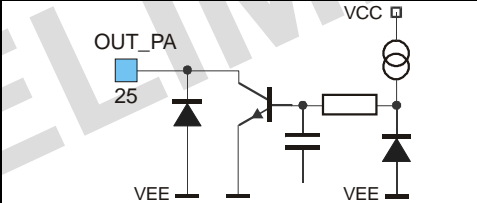
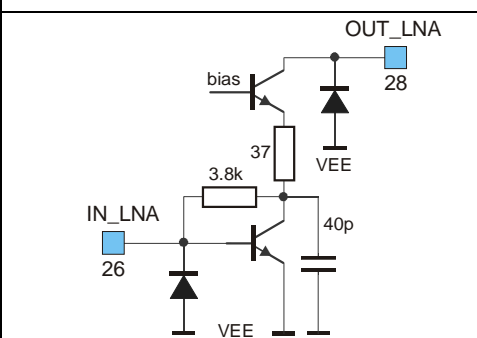
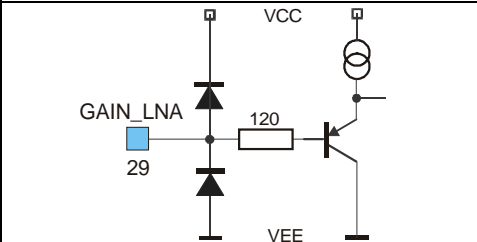


Figure 1: TH7120 block diagram

### Pin Definition and Description

Pin No.	Name	I/O Type	Functional Schematic	Description
1	IN_IFA	input		IF amplifier input, approx. 2 kΩ single-ended
2	VCC_IF	supply		positive supply of LNA, MIX, IFA, FSK Demodulator, PA, OA1 and OA2
3	IN_DEM	analog I/O		IF amplifier output and demodulator input, connection to external ceramic discriminator
4	INT2	output		integrator output OA2
8	OUT_DTA	output		output OA1
5	INT1	input		inverting inputs OA1 and OA2
6	OUT_DEM	analog I/O		demodulator output and non-inverting input OA1
7	RSSI	output		RSSI output

Pin No.	Name	I/O Type	Functional Schematic	Description
9	VEE_RO	ground		ground of RO
10	RO	analog I/O		RO input, base of bipolar transistor
11	FSK_SW	analog I/O		FSK pulling pin, switch to ground or OPEN
12	IN_DTA	input		ASK/FSK modulation data input, pull down resistor 120kΩ
15	RE/SCLK	input		receiver enable input / clock input for the shift register, pull down resistor 120kΩ
16	TE/SDTA	input		transmitter enable input / serial data input, pull down resistor 120kΩ
13	ASK/FSK	input		ASK/FSK mode select input
17	FS0/SDEN	input		frequency select input / serial data enable input
14	VCC_DIG	supply		positive supply of serial port and control logic
18	VEE_DIG	ground		ground of serial port and control logic
19	FS1/LD	input		frequency select input / lock detector output
20	VCC_PLL	supply		positive supply of PLL frequency synthesizer
22	VEE_PLL	ground		ground of PLL frequency synthesizer

Pin No.	Name	I/O Type	Functional Schematic	Description
21	LF	analog I/O		charge pump output, connection to external loop filter
23	TNK_LO	analog I/O		VCO open-collector output, connection to external LC tank
24	PS_PA	analog I/O		power-setting input
25	OUT_PA	output		power amplifier open-collector output
27	VEE_LNA	ground		ground of LNA and PA
28	OUT_LNA	output		LNA open-collector output, connection to external LC tank at RF
26	IN_LNA	input		LNA input, approx. 50Ω single-ended
29	GAIN_LNA	input		LNA gain control input

Pin No.	Name	I/O Type	Functional Schematic	Description
30	IN_MIX	input		mixer input, approx. 200Ω single-ended
31	VEE_IF	ground		ground of IFA, Demodulator, OA1 and OA2
32	OUT_MIX	output		mixer output, approx. 330Ω single-ended

PRELIMINARY

### Stand-Alone Fixed-Frequency Operation

After power up the transceiver is set to fixed-frequency mode. In this mode, pins FS0/SDEN and FS1/LD must be connected to  $V_{EE}$  or  $V_{CC}$  to set the desired frequency of operation. The logic levels at pins FS0/SDEN and FS1/LD must not be changed after power up in order to remain in fixed-frequency mode. The default settings of the control word bits in stand-alone mode are described in the frequency selection table.

#### Frequency Selection

Channel frequency	433.92 MHz	868.3 MHz	315 MHz	915 MHz
FS0/SDEN	1	0	1	0
FS1/LD	0	0	1	1
Reference oscillator frequency	7.1505 MHz			
R counter ratio in RX mode	16	16	18	30
PFD frequency in RX mode	446.91 kHz	446.91 kHz	397.25 kHz	238.35 kHz
N/A counter ratio in RX mode	947	1919	766	3794
VCO frequency in RX mode	423.22 MHz	857.60 MHz	304.30 MHz	904.30 MHz
RX frequency	433.92 MHz	868.30 MHz	315.00 MHz	915.00 MHz
R counter ratio in TX mode	16	16	18	30
PFD frequency in TX mode	446.91 kHz	446.91 kHz	397.25 kHz	238.35 kHz
N/A counter ratio in TX mode	971	1943	793	3839
VCO frequency in TX mode	433.92 MHz	868.30 MHz	315.00 MHz	915.00 MHz
TX frequency	433.92 MHz	868.30 MHz	315.00 MHz	915.00 MHz
IF frequency in RX mode	10.7 MHz	10.7 MHz	10.7 MHz	10.7 MHz



### Default Register Settings After Power-up

Bits	A-word symbols	Channel '00' 868.3 MHz	Channel '01' 433.92 MHz	Channel '10' 915.0 MHz	Channel '11' 315.0 MHz	B-word symbols	Channel '00' 868.3 MHz	Channel '01' 433.92 MHz	Channel '10' 915.0 MHz	Channel '11' 315.0 MHz
21	not used	0				not used	0			
20	DI_MODE	0				not used	0			
19	MODUL	0				EnDelPLL	1			
18	HighCur	0				LNAHYST	1			
17	LOCK_MODE	0				EnAdj	0			
16	PA_AUTO	0				EnFM	0			
15	Pow1	1				Max2	1			
14	Pow0	1				Max1	1			
13	MIXG	1				Max0	1			
12	LNAG	1				Min2	0			
11	TE	0				Min1	1			
10	RE	0				Min0	1			
9	RR9	0	0	0	0	RT9	0	0	0	0
8	RR8	0	0	0	0	RT8	0	0	0	0
7	RR7	0	0	0	0	RT7	0	0	0	0
6	RR6	0	0	0	0	RT6	0	0	0	0
5	RR5	0	0	0	0	RT5	0	0	0	0
4	RR4	1	1	1	1	RT4	1	1	1	1
3	RR3	0	0	1	0	RT3	0	0	1	0
2	RR2	0	0	1	0	RT2	0	0	1	0
1	RR1	0	0	1	1	RT1	0	0	1	1
0	RR0	0	0	0	0	RT0	0	0	0	0

Bits	C-word symbols	Channel '00' 868.3 MHz	Channel '01' 433.92 MHz	Channel '10' 915.0 MHz	Channel '11' 315.0 MHz	B-word symbols	Channel '00' 868.3 MHz	Channel '01' 433.92 MHz	Channel '10' 915.0 MHz	Channel '11' 315.0 MHz
21	LNAGI_E	0				MODUL_CTR	0			
20	POLAR	0				LD_TM1	1			
19	High2	0	0	0	0	LD_TM0	0			
18	High1	1	1	1	1	ER_TM1	0			
17	UP	1	0	1	0	ER_TM0	0			
16	NR16	0	0	0	0	NT16	0	0	0	0
15	NR15	0	0	0	0	NT15	0	0	0	0
14	NR14	0	0	0	0	NT14	0	0	0	0
13	NR13	0	0	0	0	NT13	0	0	0	0
12	NR12	0	0	0	0	NT12	0	0	0	0
11	NR11	0	0	1	0	NT11	0	0	1	0
10	NR10	1	0	1	0	NT10	1	0	1	0
9	NR9	1	1	1	1	NT9	1	1	1	1
8	NR8	1	1	0	0	NT8	1	1	0	1
7	NR7	0	1	1	1	NT7	1	1	1	0
6	NR6	1	0	1	1	NT6	0	1	1	0
5	NR5	1	1	0	1	NT5	0	0	1	0
4	NR4	1	1	1	1	NT4	1	0	1	1
3	NR3	1	0	0	1	NT3	0	1	1	1
2	NR2	1	0	0	1	NT2	1	0	1	0
1	NR1	1	1	1	1	NT1	1	1	1	0
0	NR0	1	1	0	0	NT0	1	1	1	1

## Programmable Channel Operation

### Serial Control Interface Description

A 3-wire (SCLK, SDTA, SDEN) Serial Control Interface (SCI) is used to program the transceiver in multi-channel mode (see Fig. 2). At each rising edge of the SCLK signal, the logic value on the SDTA pin is written into a 24-bit shift register. The data stored in the shift register are loaded into one of the 4 appropriate latches on the rising edge of SDEN. The control words are 24 bits lengths: 2 address bits and 22 data bits. The first two bits (bit 23 and 22) are latch address bits. As additional leading bits are ignored, only the least significant 24 bits are serial-clocked into the shift register. The first incoming bit is the most significant bit (MSB). To program the transceiver in multi-channel application, four 24-bit words may be sent: A-word, B-word, C-word and D-word. If individual bits within a word have to be changed, then it is sufficient to program only the appropriate 24-bit word. The serial data input timing and the structure of the control words are illustrated in Fig. 2 and 3. Table REGISTER SETTINGS describes the function of each bit.

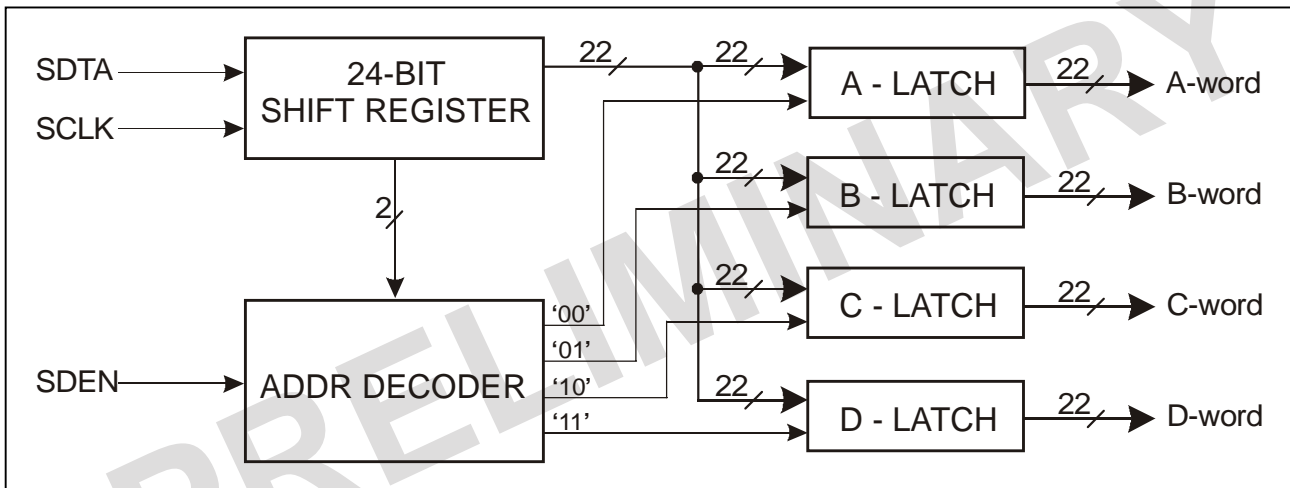


Figure 2: SCI block diagram

Due to the static CMOS design, the SCI consumes virtually no current and it can be programmed in active as well as in standby mode.

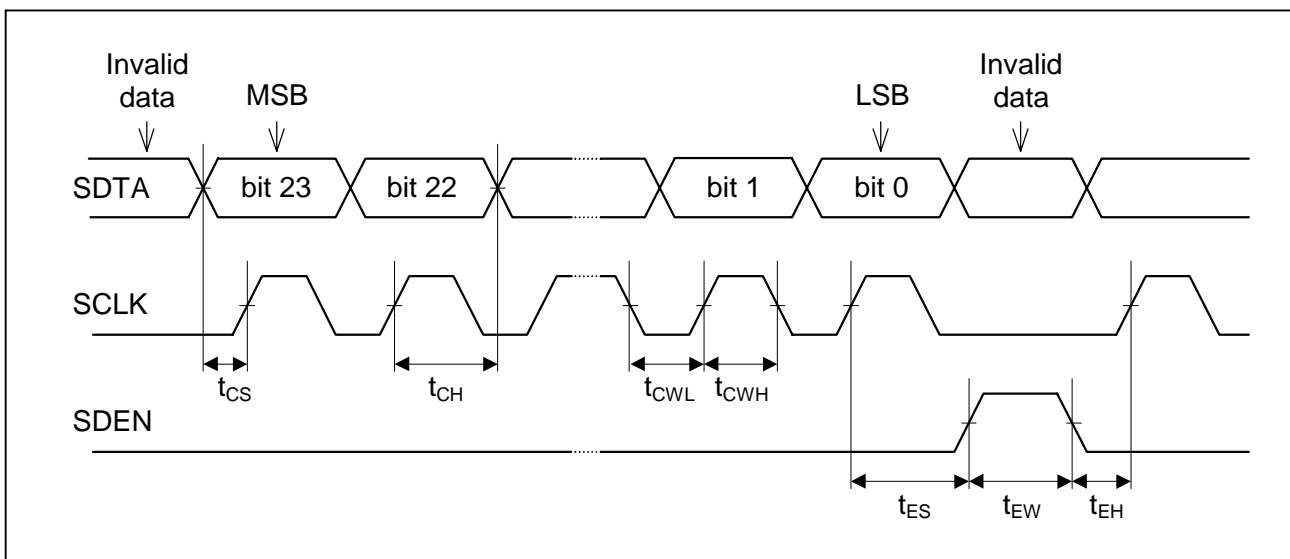


Figure 3: Serial data input timing

### SCI Words

#### A-word

MSB																				LSB			
23	22	21	20	19	18	17	16	15	14	13	12	11	10	9	8	7	6	5	4	3	2	1	0
0	0	X	X	X	X	X	X	X	X	X	X	X	X	X	X	X	X	X	X	X	X	X	X
<b>ADDR</b>		not used	DI_MODE	MODUL	HighCur	LOCK_MODE	PA_AUTO	Pow1	Pow0	MIXG	LNAG	TE	RE	RR9	RR8	RR7	RR6	RR5	RR4	RR3	RR2	RR1	RR0

#### B-word

MSB																				LSB			
23	22	21	20	19	18	17	16	15	14	13	12	11	10	9	8	7	6	5	4	3	2	1	0
0	1	X	X	X	X	X	X	X	X	X	X	X	X	X	X	X	X	X	X	X	X	X	X
<b>ADDR</b>		not used	not used	EnDelPLL	LNAHYST	EnAdj	EnFm	Max2	Max1	Max0	Min2	Min1	Min0	RT9	RT8	RT7	RT6	RT5	RT4	RT3	RT2	RT1	RT0

#### C-word

MSB																				LSB			
23	22	21	20	19	18	17	16	15	14	13	12	11	10	9	8	7	6	5	4	3	2	1	0
1	0	X	X	X	X	X	X	X	X	X	X	X	X	X	X	X	X	X	X	X	X	X	X
<b>ADDR</b>		LNAG_E	POLAR	High2	High1	UP	NR16	NR15	NR14	NR13	NR12	NR11	NR10	NR9	NR8	NR7	NR6	NR5	NR4	NR3	NR2	NR1	NR0

#### D-word

MSB																				LSB			
23	22	21	20	19	18	17	16	15	14	13	12	11	10	9	8	7	6	5	4	3	2	1	0
1	1	X	X	X	X	X	X	X	X	X	X	X	X	X	X	X	X	X	X	X	X	X	X
<b>ADDR</b>		MODUL_CTR	LD_TM1	LD_TM0	ER_TM1	ER_TM0	NT16	NT15	NT14	NT13	NT12	NT11	NT10	NT9	NT8	NT7	NT6	NT5	NT4	NT3	NT2	NT1	NT0

## Register Settings

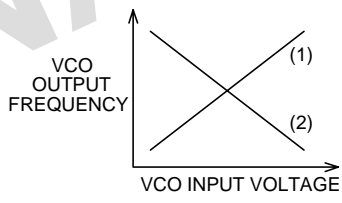
### A-word

Symbol	Bits	No.	Description
<b>Software button</b>			
RR9:RR0	[9:0]	10	<b>Reference divider ratio in RX mode</b>
<b>RR9:RR0</b>			
TE:RE	[11:10]	2	Select active mode at programmable-channel application:
<b>OPMODE</b>			'00' <b>Standby mode</b>
			'11' <b>Idle mode</b>
			'10' <b>Transmit mode</b>
			'01' <b>Receive mode</b>
LNAG	[12]	1	Select LNA gain at internal gain control:
<b>LNAGAIN</b>			'0' <b>low LNA gain</b>
			'1' <b>high LNA gain</b>
MIXG	[13]	1	Select mixer conversion gain at programmable-channel application:
<b>MIXGAIN</b>			'0' <b>low gain</b>
			'1' <b>high gain</b>
Pow1:Pow0	[15:14]	2	Select output power at programmable-channel application:
<b>TXPOWER</b>			'00' <b>P<sub>max</sub> - 20 dBm</b>
			'01' <b>P<sub>max</sub> - 12 dBm</b>
			'10' <b>P<sub>max</sub> - 6 dBm</b>
			'11' <b>P<sub>max</sub></b>
PA_AUTO	[16]	1	Disable automatic PA turn-on after PLL lock:
<b>PA_AUTO</b>			'0' <b>enabled</b>
			'1' <b>disabled</b>
LOCK_MODE	[17]	1	Select PFD output analyse mode of lock detecting:
<b>LOCK_MODE</b>			'0' <b>before lock only</b>
			'1' <b>before and after lock.</b>
HighCur	[18]	1	Select Charge Pump output current:
<b>CPCUR</b>			'0' <b>± 260 µA</b>
			'1' <b>±1300 µA</b>
MODUL	[19]	1	Select modulation mode at internal modulation control:
<b>ASK/FSK</b>			'0' <b>ASK</b>
			'1' <b>FSK</b>
DI_MODE	[20]	1	Select mode for input data:
<b>DI_MODE</b>			'0' <b>normal</b>
			'0' for space at ASK or f <sub>min</sub> at FSK, '1' for mark at ASK or f <sub>max</sub> at FSK
			'1' <b>inverse</b>
			'1' for space at ASK or f <sub>min</sub> at FSK, '0' for mark at ASK or f <sub>max</sub> at FSK
not used	[21]	1	'X'

**B-word**

Symbol	Bits	No.	Description																
<b>Software button</b>																			
RT9:RT0	[9:0]	10	<b>Reference divider ratio in TX mode</b>																
<b>RT9:RT0</b>																			
Min2:Min0	[12:10]	3	Select minimum value of RO active current:																
<b>ROMIN</b>			<table border="0"> <tr><td>'000'</td><td>0 <math>\mu</math>A</td></tr> <tr><td>'001'</td><td>50 <math>\mu</math>A</td></tr> <tr><td>'010'</td><td>100 <math>\mu</math>A</td></tr> <tr><td>'011'</td><td>150 <math>\mu</math>A</td></tr> <tr><td>'100'</td><td>200 <math>\mu</math>A</td></tr> <tr><td>'101'</td><td>250 <math>\mu</math>A</td></tr> <tr><td>'110'</td><td>300 <math>\mu</math>A</td></tr> <tr><td>'111'</td><td>350 <math>\mu</math>A</td></tr> </table>	'000'	0 $\mu$ A	'001'	50 $\mu$ A	'010'	100 $\mu$ A	'011'	150 $\mu$ A	'100'	200 $\mu$ A	'101'	250 $\mu$ A	'110'	300 $\mu$ A	'111'	350 $\mu$ A
'000'	0 $\mu$ A																		
'001'	50 $\mu$ A																		
'010'	100 $\mu$ A																		
'011'	150 $\mu$ A																		
'100'	200 $\mu$ A																		
'101'	250 $\mu$ A																		
'110'	300 $\mu$ A																		
'111'	350 $\mu$ A																		
Max2:Max0	[15:13]	3	Select maximum value of RO active current:																
<b>ROMAX</b>			<table border="0"> <tr><td>'000'</td><td>0 <math>\mu</math>A (RO is off)</td></tr> <tr><td>'001'</td><td>50 <math>\mu</math>A</td></tr> <tr><td>'010'</td><td>100 <math>\mu</math>A</td></tr> <tr><td>'011'</td><td>150 <math>\mu</math>A</td></tr> <tr><td>'100'</td><td>200 <math>\mu</math>A</td></tr> <tr><td>'101'</td><td>250 <math>\mu</math>A</td></tr> <tr><td>'110'</td><td>300 <math>\mu</math>A</td></tr> <tr><td>'111'</td><td>350 <math>\mu</math>A</td></tr> </table>	'000'	0 $\mu$ A (RO is off)	'001'	50 $\mu$ A	'010'	100 $\mu$ A	'011'	150 $\mu$ A	'100'	200 $\mu$ A	'101'	250 $\mu$ A	'110'	300 $\mu$ A	'111'	350 $\mu$ A
'000'	0 $\mu$ A (RO is off)																		
'001'	50 $\mu$ A																		
'010'	100 $\mu$ A																		
'011'	150 $\mu$ A																		
'100'	200 $\mu$ A																		
'101'	250 $\mu$ A																		
'110'	300 $\mu$ A																		
'111'	350 $\mu$ A																		
EnFm	[16]	1	Test bit. Forced '0' for correct functioning.																
EnAdj	[17]	1	Test bit. Forced '0' for correct functioning.																
LNAHYST	[18]	1	Enable LNA hysteresis:																
<b>LNAHYST</b>			<table border="0"> <tr><td>'1'</td><td>disabled</td></tr> <tr><td>'0'</td><td>enabled</td></tr> </table>	'1'	disabled	'0'	enabled												
'1'	disabled																		
'0'	enabled																		
EnDelPLL	[19]	1	Enable delayed start of the PLL:																
<b>EnDelPLL</b>			<table border="0"> <tr><td>'1'</td><td>disabled</td></tr> <tr><td>'0'</td><td>enabled.</td></tr> </table>	'1'	disabled	'0'	enabled.												
'1'	disabled																		
'0'	enabled.																		
not used	[20]	1	'X'																
not used	[21]	1	'X'																

**C-word**

Symbol	Bits	No.	Description	
<b>Software button</b>				
NR16:NR0	[16:0]	17	<b>Feedback divider ratio in RX mode</b>	
<b>NR16:NR0</b>				
UP	[17]	1	Select frequency band:	
<b>BAND</b>			'1'	up to 500 MHz
			'0'	500 to 1000MHz
High2:High1	[19:18]	2	Select VCO active current:	
<b>VCOCUR</b>			'00'	low current (250 $\mu$ A)
			'01'	standard current (350 $\mu$ A)
			'10'	high1 current (450 $\mu$ A)
			'11'	high2 current (550 $\mu$ A)
POLAR	[20]	1	Select Phase Detector polarity:	
<b>PFDPOL</b>			'1'	positive (1)
			'0'	negative (2)
				
LNAGI_E	[21]	1	Select LNA gain control mode:	
<b>LNACTRL</b>			'0'	external LNA gain control
			'1'	internal LNA gain control

**D-word**

Symbol	Bits	No.	Description								
Software button											
NT16:NT0	[16:0]	17	<b>Feedback divider ratio in TX mode</b>								
NT16:NT0											
ER_TM1:ER_TM0	[18:17]	2	Select maximum enabled PFD output error for lock detecting (in reference frequency clocks):								
ER_TM1:ER_TM0			<table border="0"> <tr> <td>'00'</td> <td>2 clocks</td> </tr> <tr> <td>'01'</td> <td>4 clocks</td> </tr> <tr> <td>'10'</td> <td>8 clocks</td> </tr> <tr> <td>'11'</td> <td>16 clocks</td> </tr> </table>	'00'	2 clocks	'01'	4 clocks	'10'	8 clocks	'11'	16 clocks
'00'	2 clocks										
'01'	4 clocks										
'10'	8 clocks										
'11'	16 clocks										
LD_TM1:LD_TM0	[20:19]	2	Select minimum number of PFD reference frequency clocks before lock detecting:								
LD_TM1:LD_TM0			<table border="0"> <tr> <td>'00'</td> <td>4 clocks</td> </tr> <tr> <td>'01'</td> <td>16 clocks</td> </tr> <tr> <td>'10'</td> <td>64 clocks</td> </tr> <tr> <td>'11'</td> <td>256 clocks</td> </tr> </table>	'00'	4 clocks	'01'	16 clocks	'10'	64 clocks	'11'	256 clocks
'00'	4 clocks										
'01'	16 clocks										
'10'	64 clocks										
'11'	256 clocks										
MODUL_CTR	[21]	1	Select mode of modulation control:								
MODCTRL			<table border="0"> <tr> <td>'0'</td> <td>external modulation control</td> </tr> <tr> <td>'1'</td> <td>internal modulation control</td> </tr> </table>	'0'	external modulation control	'1'	internal modulation control				
'0'	external modulation control										
'1'	internal modulation control										

## Technical Data

### Absolute Maximum Ratings

Parameter	Symbol	Condition / Note	Min	Max	Unit
Supply voltage	$V_{CC}$		0	7.0	V
Input voltage	$V_{IN}$		-0.3	$V_{CC}+0.3$	V
Input current	$I_{IN}$		-1	1	mA
Input RF level	$P_{imax}$	no damage		10	dBm
Storage temperature	$T_{STG}$		-40	+125	°C
Electrostatic discharge	$V_{ESD1}$	human body model, 1)	-1.0	+1.0	kV
Electrostatic discharge	$V_{ESD2}$	human body model, 2)	TBD	TBD	kV

1) pins IN\_DTA, ASK/FSK, RE/SCLK; TE/SDTA, FS0/SDEN, FS1/LD

2) all pins, except IN\_DTA, ASK/FSK, RE/SCLK; TE/SDTA, FS0/SDEN, FS1/LD

### Normal Operating Conditions

Parameter	Symbol	Condition	Min	Max	Unit
Supply voltage	$V_{CC}$		2.5	5.5	V
Operating temperature	$T_a$		-40	+85	°C
Carrier frequency	$f_c$		300	930	MHz
VCO frequency	$f_{VCO}$		300	930	MHz
RO frequency	$f_{RO}$		3	12	MHz
Frequency deviation	$\Delta f$	at FM or FSK	$\pm 5$	$\pm 120$	kHz
FSK data rate	$R_{FSK}$	NRZ		60	kbit/s
FM bandwidth	$f_m$			20	kHz
ASK data rate	$R_{ASK}$	NRZ		60	kbit/s

### DC Characteristics

all parameters under normal operating conditions, unless otherwise stated;  
typical values at  $T_a = 23\text{ °C}$  and  $V_{CC} = 3\text{ V}$

Parameter	Symbol	Condition	Min	Typ	Max	Unit
Standby current	$I_{SBY}$	TE/SDTA=0, RE/SCLK=0		50	100	nA
Idle current	$I_{IDLE}$	TE/SDTA=1, RE/SCLK=1 @ $f_i = 433.92\text{ MHz}$		2.5	3.2	mA
Total supply current in receive mode at low gain	$I_{RX\_low}$	TE/SDTA=0, RE/SCLK=1 $V_{GAIN\_LNA} > 1.4\text{ V}$ @ $f_i = 433.92\text{ MHz}$		6.0	8.0	mA
Total supply current in receive mode at high gain	$I_{RX\_high}$	TE/SDTA=0, RE/SCLK=1 $V_{GAIN\_LNA} < 0.8\text{ V}$ @ $f_i = 433.92\text{ MHz}$		7.0	9.0	mA
Total supply current in transmit mode at 0 dBm power	$I_{TX\_0}$	TE/SDTA=1, RE/SCLK=0 ASK/FSK=1 @ $f_i = 433.92\text{ MHz}$ , @ $P_o = 0\text{ dBm}$		9.0	11.5	mA



### AC System Characteristics of the Receiver Part

all parameters under normal operating conditions, unless otherwise stated; all parameters based on test circuits for FSK (Fig. 4 to 5), FM and ASK (Fig. 6 to 7), respectively; RF at 433.92 MHz

Parameter	Symbol	Condition	Min	Typ	Max	Unit
Input sensitivity – FSK	$P_{min\_FSK}$	$B_{IF} = 150\text{kHz}$ $\Delta f = \pm 50 \text{ kHz (FSK/FM)}$ $BER \leq 3 \cdot 10^{-3}$		-103		dBm
Input sensitivity – ASK	$P_{min\_ASK}$	$B_{IF} = 150\text{kHz}$ $BER \leq 3 \cdot 10^{-3}$		-105		dBm
Maximum input signal – FSK/FM at low gain	$P_{max\_FSK\_1}$	$BER \leq 3 \cdot 10^{-3}$ $V_{GAIN\_LNA} > 1.4 \text{ V}$		10		dBm
Maximum input signal – FSK/FM at high gain	$P_{max\_FSK\_0}$	$BER \leq 3 \cdot 10^{-3}$ $V_{GAIN\_LNA} < 0.8 \text{ V}$		-10		dBm
Maximum input signal – ASK at low gain	$P_{max\_ASK\_1}$	$BER \leq 3 \cdot 10^{-3}$ $V_{GAIN\_LNA} > 1.4 \text{ V}$		-20		dBm
Maximum input signal – ASK at high gain	$P_{max\_ASK\_0}$	$BER \leq 3 \cdot 10^{-3}$ $V_{GAIN\_LNA} < 0.8 \text{ V}$		0		dBm
Image rejection	$\Delta P_{imag}$			TBD		dB
Blocking immunity	$\Delta P_{block}$	$\Delta f_{block} > \pm 2\text{MHz}$ , note 1		TBD		dB
Start-up time – FSK/FM	$T_{FSK}$	TE/SDTA=0, RE/SCLK=1 valid data at output			1	ms
Start-up time – ASK	$T_{ASK}$	depends on ASK de- tector time constant and start-up mode, valid data at output			$T_{FSK}$ + $200K * C6$	ms
Spurious emission	$P_{spur}$				-70	dBm

**Notes:** 1. desired signal with FSK/FM or ASK modulation, CW blocking signal

### AC System Characteristics of the Transmitter Part

all parameters under normal operating conditions, unless otherwise stated;  
typical values at  $T_a = 23 \text{ }^\circ\text{C}$  and  $V_{cc} = 3 \text{ V}$ ;

TE/SDTA=1, RE/SCLK=0, ASK/FSK=1, RPS $\geq$ 15 k $\Omega$ ,  $f_c = 433.92 \text{ MHz}$ , test circuit shown in Fig. 4 to 7

Parameter	Symbol	Condition	Min	Typ	Max	Unit
Output power	$P_o$	CW mode	4	6	8	dBm
FSK deviation	$\Delta f_{FSK}$	depends on $C_{x1}$ , $C_{x2}$ and crystal parameter	$\pm 5$	$\pm 50$	$\pm 100$	kHz
Data rate FSK	$R_{FSK}$			60		kbit/s
FM deviation	$\Delta f_{FM}$	adjustable with varactor and $V_{FM}$		$\pm 6$		kHz
Modulation frequency FM	$f_{mod}$			5		kHz
Data rate ASK	$R_{ASK}$			60		kbit/s
PLL spurs emission	$P_{spur}$	at all $f_c$ and nominal $P_o$			-36	dBm
Harmonic emission	$P_{harm}$	at all $f_c$ and power steps		-	-36	dBm
VCO gain	$K_{VCO}$			35		MHz/V
Charge pump current	$I_{CP}$			260		$\mu\text{A}$
Start-up time	$T_{TX}$	from "standby" to "transmit" mode			1	ms

### Output Power Selection

typical values at  $T_a = 23\text{ }^\circ\text{C}$  and  $V_{cc} = 3\text{ V}$ :

TE/SDTA = 1, RE/SCLK = 0, ASK/FSK = 1,  $f_c = 433.92\text{ MHz}$ , CW mode

RPS / $k\Omega$	$\geq 15\text{ k}$	6.8 k	3.3 k	1.0 k
$I_{CC}$ / mA	TBD	9.0	TBD	TBD
$P_O$ / dBm	6	0	-6	-15
$P_{harm}$ / dBm	$\leq -36$	$\leq -36$	$\leq -36$	$\leq -36$

### Serial Control Interface

Parameter	Symbol	Condition	Min	Max	Unit
Data to clock set up time	$t_{CS}$		150		ns
Data to clock hold time	$t_{CH}$		50		ns
Clock pulse width high	$t_{CWH}$		100		ns
Clock pulse width low	$t_{CWL}$		100		ns
Clock to load enable set up time	$t_{ES}$		100		

### Crystal Parameters

Parameter	Symbol	Condition	Min	Max	Unit
Crystal frequency	$f_{crystal}$	fundamental mode, AT	3	12	MHz
Load capacitance	$C_{load}$		10	15	pF
Static capacitance	$C_0$			7	pF
Motional resistance	$R_m$			70	$\Omega$

Application Circuit Examples

Programmable Channel FSK Application Circuit

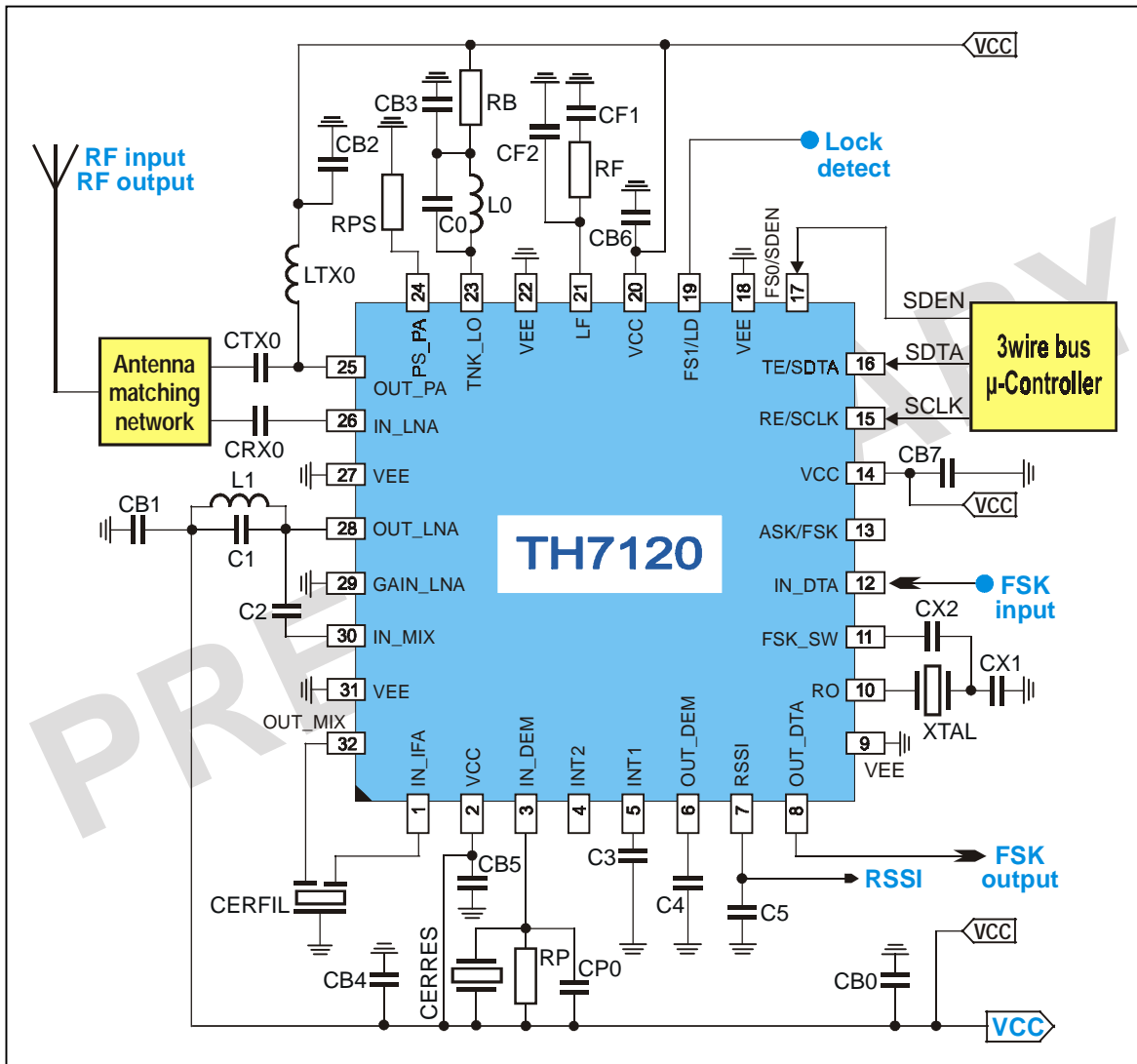


Figure 4: Test circuit for programmable channel FSK operation

Fixed-Frequency FSK Application Circuit

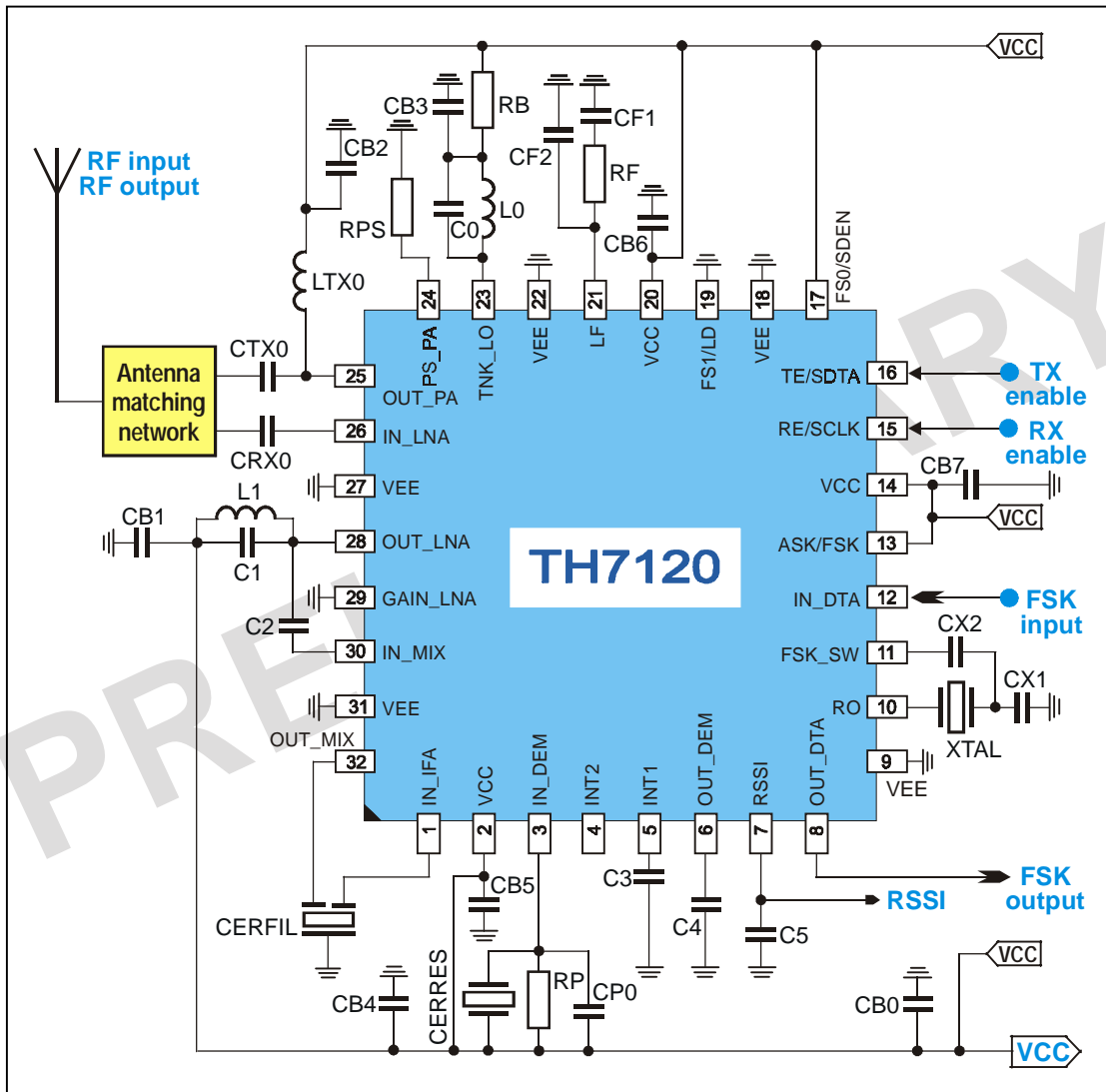


Figure 5: Test circuit for fixed-frequency FSK operation at 433 MHz

**FSK test circuit component list to Fig. 4 and Fig. 5**

Part	Size	Value @ 433.92 MHz	Tolerance	Description
C0	0805	0.68 pF	±5%	VCO tank capacitor
C1	0603	6.8 pF	±5%	LNA output tank capacitor
C2	0603	1 pF	±5%	MIX input matching capacitor
C3	0805	10 nF	±10%	data slicer capacitor
C4	0805	100 pF	±10%	demodulator output low-pass capacitor, depending on data rate
C5	0805	330 pF	±10%	RSSI output low pass capacitor
CB0	0805	100 nF	±10%	blocking capacitor
CB1 to CB4	0805 0603	330 pF	±10%	blocking capacitor
CB5	0603	330 pF	±10%	blocking capacitor
CB6	0603	10 nF	±10%	blocking capacitor
CB7	0603	330 pF	±10%	blocking capacitor
CF1	0805	390 pF	±5%	loop filter capacitor
CF2	0805	150 pF	±5%	loop filter capacitor
CX1	0805	18 pF	±5%	RO capacitor
CX2	0805	68 pF	±5%	RO capacitor for FSK ( $\Delta f = \pm 20$ kHz)
CP0	0805	10 - 12 pF	±5%	CERRES parallel capacitor
CRX0	0603	100 pF	±5%	RX coupling capacitor
CTX0	0603	100 pF	±5%	TX coupling capacitor
RB	0805	10 $\Omega$	±10%	blocking resistor for VCC
RP	0805	3.9 k $\Omega$	±5%	CERFIL parallel resistor
RF	0805	47 k $\Omega$	±5%	loop filter resistor
RPS	0805	82 k $\Omega$	±5%	power-select resistor, only required at fixed-frequency operation
L0	0805	18 nH	±5%	VCO tank inductor
L1	0603	15 nH	±5%	LNA output tank inductor
LTX0	0805	150 nH	±5%	TX impedance matching inductor
XTAL	HC49-SMD	7.1505 MHz	±30ppm calibr. ±30ppm temp.	fundamental-mode crystal, $C_{load} = 10$ pF to 15pF, $C_{0, max} = 7$ pF, $R_{m, max} = 70 \Omega$
CERFIL	Leaded type	SFE10.7MFP @ $B_{IF2} = 40$ kHz	TBD	ceramic filter from Murata
	SMD type	SFECV10.7MJS-A @ $B_{IF2} = 150$ kHz	±40 kHz	ceramic filter from Murata
CERRES	SMD type	CDACV10.7MG18-A		ceramic demodulator tank from Murata

**Notes:**

- NIP – not in place, may be used optionally
- Antenna matching network according to Evaluation Board Description EVB7120

**Programmable Channel ASK Application Circuit**

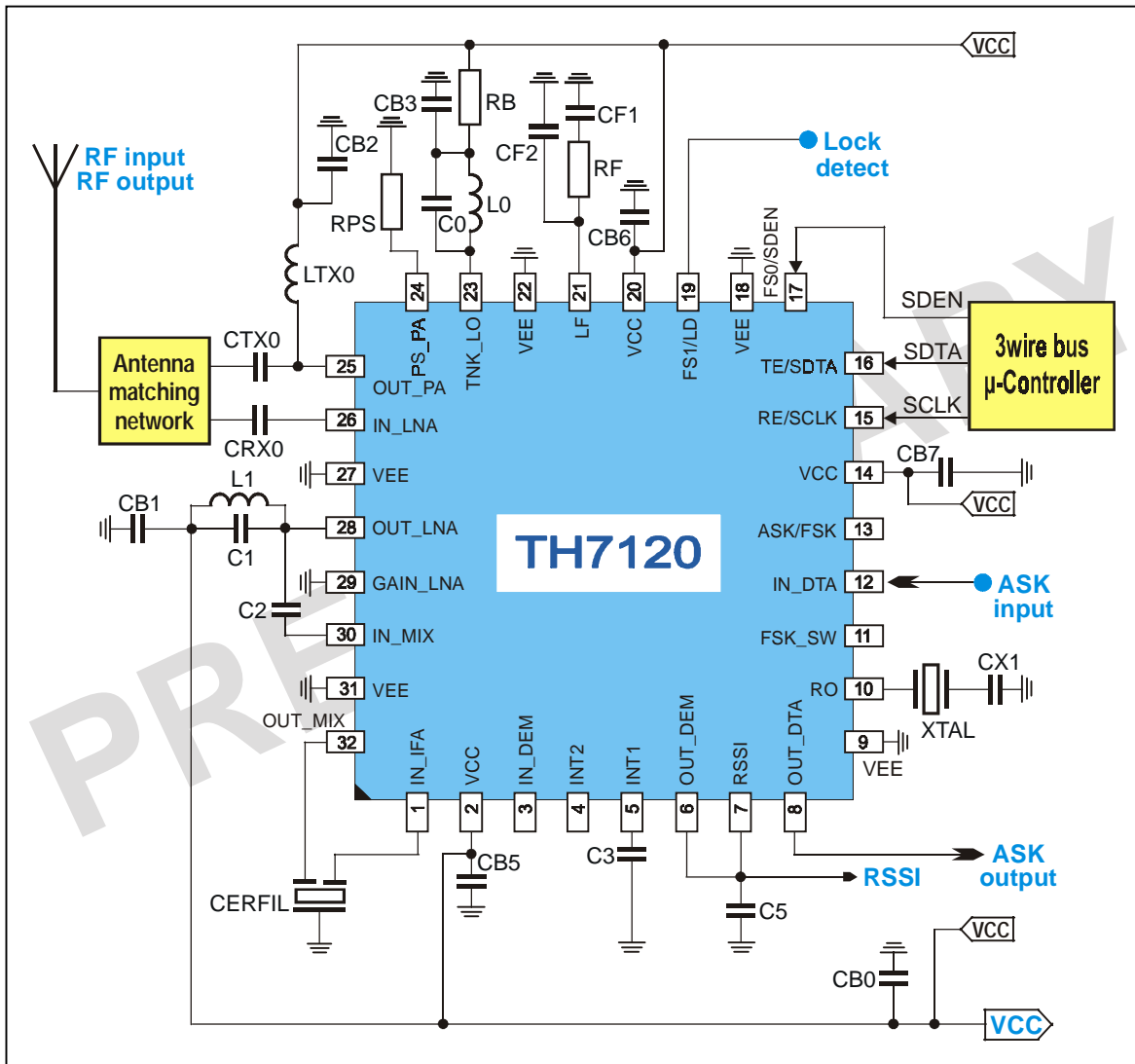


Figure 6: Test circuit for programmable channel ASK operation

Fixed-Frequency ASK Application Circuit

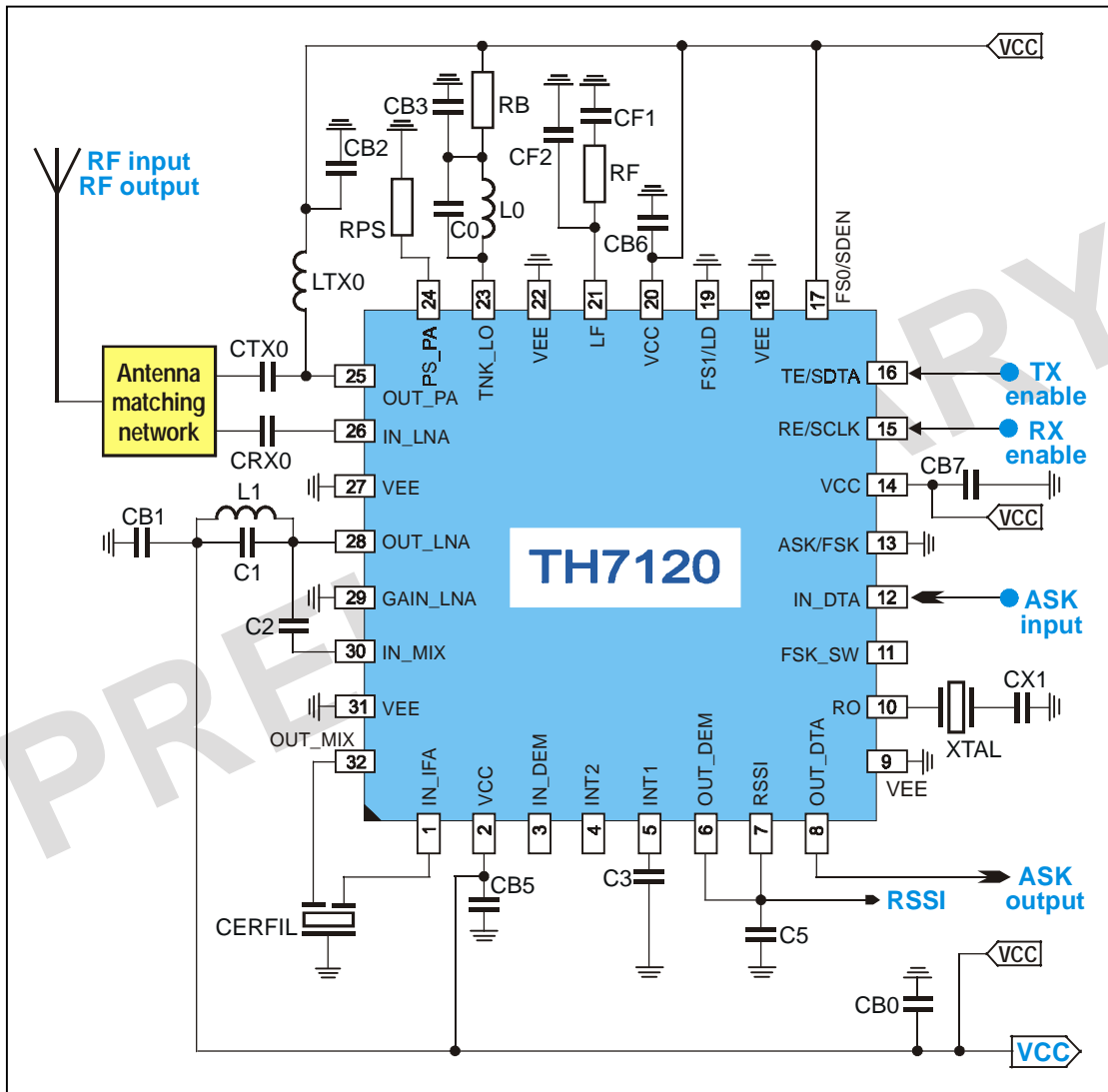


Figure 7: Test circuit for fixed-frequency ASK operation at 433 MHz

**ASK test circuit component list to Fig. 6 and Fig. 7**

Part	Size	Value @ 433.92 MHz	Tolerance	Description
C0	0805	NIP	±5%	VCO tank capacitor
C1	0603	6.8 pF	±5%	LNA output tank capacitor
C2	0603	1 pF	±5%	MIX input matching capacitor
C3	0805	10 nF	±10%	data slicer capacitor
C5	0805	330 pF	±10%	RSSI output low pass capacitor
CB0	0805	100 nF	±10%	blocking capacitor
CB1 to CB3	0805 0603	330 pF	±10%	blocking capacitor
CB5	0603	330 pF	±10%	blocking capacitor
CB6	0603	10 nF	±10%	blocking capacitor
CB7	0603	330 pF	±10%	blocking capacitor
CF1	0805	1.5 nF	±5%	loop filter capacitor
CF2	0805	150 pF	±5%	loop filter capacitor
CX1	0805	27 pF	±5%	RO capacitor
CRX0	0603	100 pF	±5%	RX coupling capacitor
CTX0	0603	100 pF	±5%	TX coupling capacitor
RB	0805	10 Ω	±10%	blocking resistor for VCC
RF	0805	47 kΩ	±5%	loop filter resistor
RPS	0805	15 kΩ	±5%	power-select resistor, only required at fixed-frequency operation
L0	0805	18 nH	±5%	VCO tank inductor
L1	0603	15 nH	±5%	LNA output tank inductor
LTX0	0805	150 nH	±5%	TX impedance matching inductor
XTAL	HC49-SMD	7.1505 MHz	±30ppm calibr. ±30ppm temp.	fundamental-mode crystal, $C_{load} = 10 \text{ pF}$ to $15 \text{ pF}$ , $C_{0, max} = 7 \text{ pF}$ , $R_{m, max} = 70 \text{ } \Omega$
CERFIL	Leaded type	SFE10.7MFP @ $B_{IF2} = 40 \text{ kHz}$	TBD	ceramic filter from Murata
	SMD type	SFECV10.7MJS-A @ $B_{IF2} = 150 \text{ kHz}$	±40 kHz	ceramic filter from Murata

**Notes:**

- NIP – not in place, may be used optionally
- Antenna matching network according to Evaluation Board Description EVB7120



**Programmable Channel FSK Application Circuit with AFC**

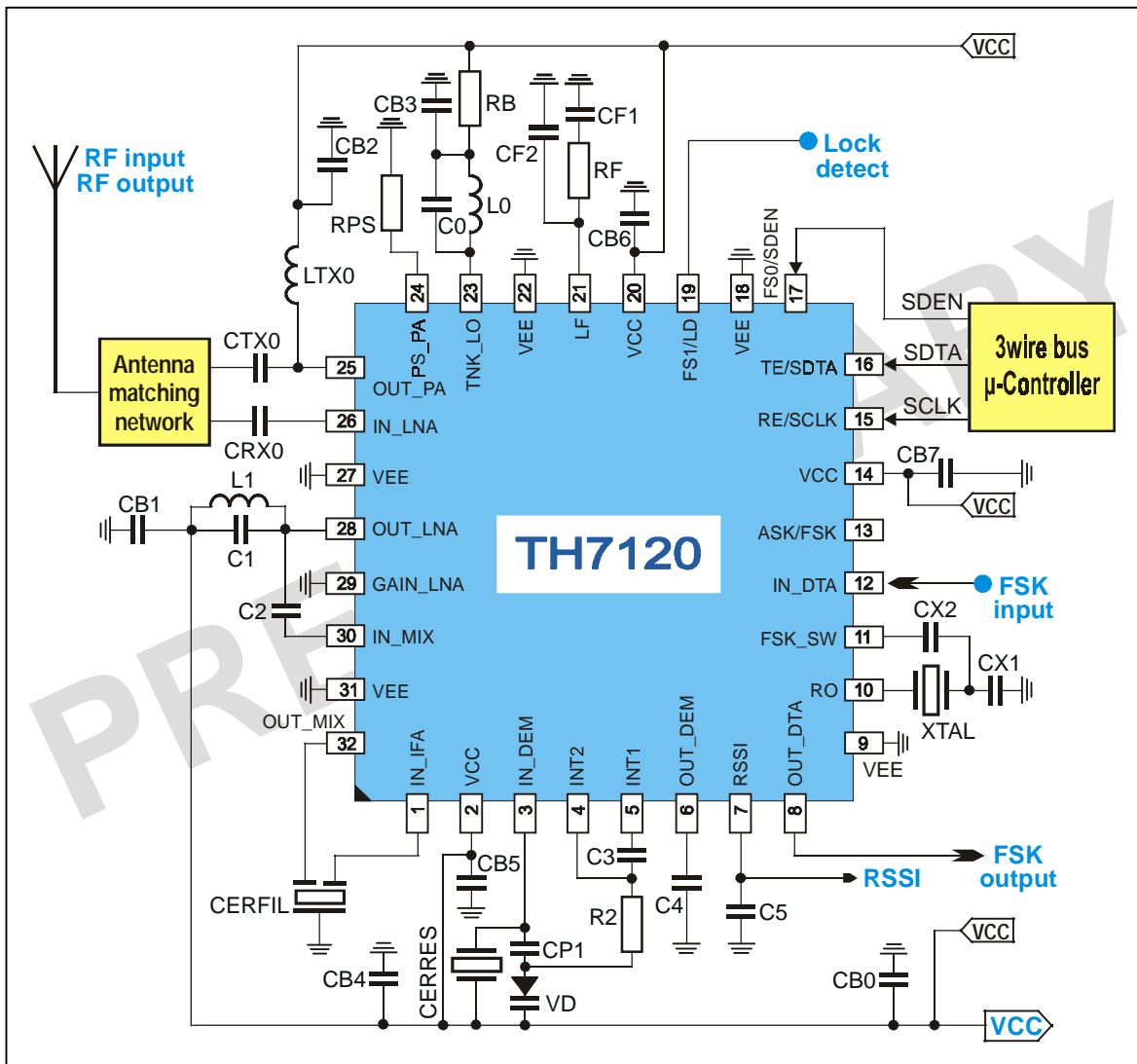


Figure 8: Test circuit for programmable channel FSK operation with AFC

**Circuit Features**

- Automatic Frequency Control (AFC)
- Increases input frequency acceptance range up to  $RF_{nom} \pm 50$  kHz
- Compensation of calibration tolerances of ceramic resonator
- Compensation of temperature tolerances of ceramic resonator

**Fixed-Frequency FSK Application Circuit with AFC**

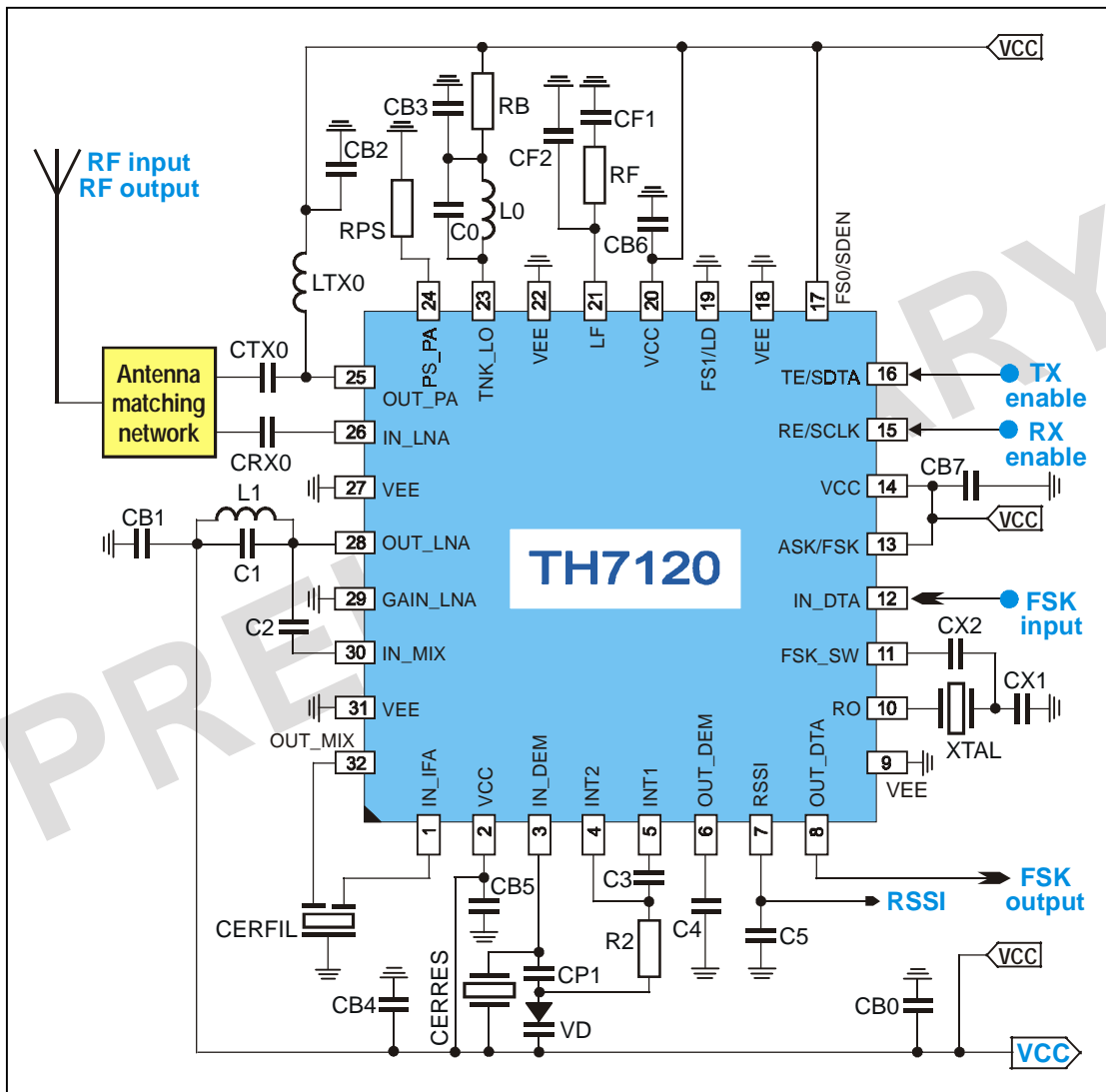


Figure 9: Test circuit for fixed-frequency FSK operation at 433 MHz with AFC

**Circuit Features**

- Automatic Frequency Control (AFC)
- Increases input frequency acceptance range up to  $RF_{nom} \pm 50$  kHz
- Compensation of calibration tolerances of ceramic resonator
- Compensation of temperature tolerances of ceramic resonator

Package Dimensions

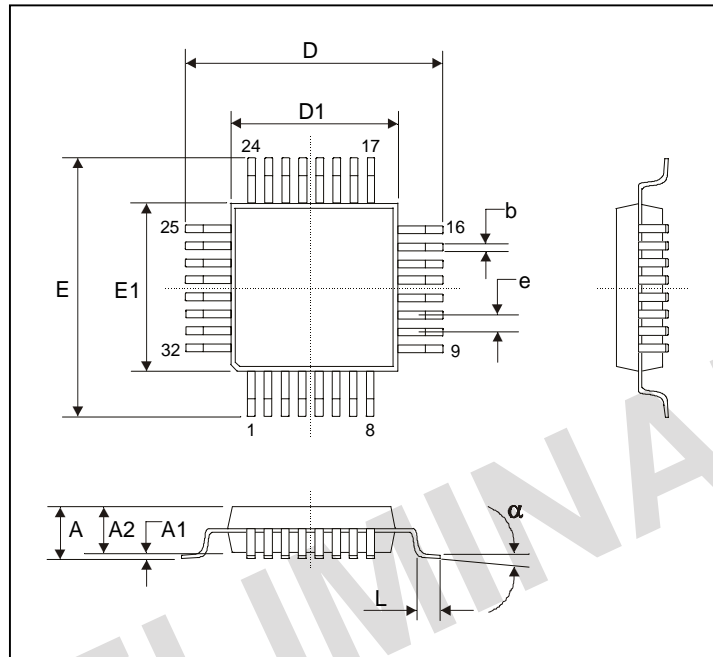


Fig. 7: LQFP32 (Low Quad Flat Package)

All Dimension in mm, coplanarity < 0.1mm									
	E1, D1	A	A1	A2	e	b	L	E, D	$\alpha$
min	7.00	1.60	0.05	1.35	0.8	0.30	0.45	9.00	0°
max			0.15	1.45		0.45	0.75		7°
All Dimension in inch, coplanarity < 0.004"									
	E1, D1	A	A1	A2	e	b	L	E, D	$\alpha$
min	0.276	0.630	0.002	0.053	0.031	0.012	0.018	0.354	0°
max			0.006	0.057		0.018	0.030		7°

*Your Notes*

---

### Important Notice

Devices sold by Melexis are covered by the warranty and patent indemnification provisions appearing in its Term of Sale. Melexis makes no warranty, express, statutory, implied, or by description regarding the information set forth herein or regarding the freedom of the described devices from patent infringement. Melexis reserves the right to change specifications and prices at any time and without notice. Therefore, prior to designing this product into a system, it is necessary to check with Melexis for current information. This product is intended for use in normal commercial applications. Applications requiring extended temperature range, unusual environmental requirements, or high reliability applications, such as military, medical life-support or life-sustaining equipment are specifically not recommended without additional processing by Melexis for each application.

The information furnished by Melexis is believed to be correct and accurate. However, Melexis shall not be liable to recipient or any third party for any damages, including but not limited to personal injury, property damage, loss of profits, loss of use, interrupt of business or indirect, special incidental or consequential damages, of any kind, in connection with or arising out of the furnishing, performance or use of the technical data herein. No obligation or liability to recipient or any third party shall arise or flow out of Melexis' rendering of technical or other services.

© 2000 Melexis GmbH. All rights reserved.

---

For the latest version of this document. Go to our website at  
[www.melexis.com](http://www.melexis.com)

Or for additional information contact Melexis Direct:

Europe and Japan:  
Phone: +32 1361 1631

All other locations:  
Phone: +1 603 223 2362

QS9000, VDA6.1 and ISO14001 Certified