

# DATA SHEET



## **TSA5059** 2.7 GHz I<sup>2</sup>C-bus controlled low phase noise frequency synthesizer

Preliminary specification  
File under Integrated Circuits, IC02

1999 Oct 05

## 2.7 GHz I<sup>2</sup>C-bus controlled low phase noise frequency synthesizer

### TSA5059

#### FEATURES

- Complete 2.7 GHz single chip system
- Optimized for low phase noise
- Selectable divide-by-two prescaler
- Operation up to 2.7 GHz with and without divide-by-two prescaler
- Selectable reference divider ratio
- Compatible with UK-DTT (Digital Terrestrial Television) offset requirements
- Selectable crystal/comparison frequency output
- Four selectable charge pump currents
- Four selectable I<sup>2</sup>C-bus addresses
- Standard and fast mode I<sup>2</sup>C-bus
- I<sup>2</sup>C-bus compatible with 3.3 and 5 V microcontrollers
- 5-level Analog-to-Digital Converter (ADC)
- Low power consumption
- 33 V tuning voltage drive
- Three I/O ports and one output port.

#### APPLICATIONS

- SAT, TV, VCR and cable tuning systems
- Digital set-top boxes.

#### GENERAL DESCRIPTION

The TSA5059 is a single chip PLL frequency synthesizer designed for satellite and terrestrial tuning systems up to 2.7 GHz.

The RF preamplifier drives the 17-bit main divider enabling a step size equal to the comparison frequency, for an input frequency up to 2.7 GHz. A fixed divide-by-two additional prescaler can be inserted between the preamplifier and the main divider to give a software compatibility with

existing ICs. In this case, the step size is twice the comparison frequency.

The comparison frequency is obtained from an on-chip crystal oscillator that can also be driven from an external source. Either the crystal frequency or the comparison frequency can be switched to the XT/COMP output pin to drive the reference input of another synthesizer or the clock input of a digital demodulation IC.

Both divided and comparison frequency are compared into the fast phase detector which drives the charge pump. The loop amplifier is also on-chip, including the high-voltage transistor to drive directly the 33 V tuning voltage, without the need of an external transistor.

Control data is entered via the I<sup>2</sup>C-bus; five serial bytes are required to address the device, select the main divider ratio, the reference divider ratio, program the four output ports, set the charge pump current, select the prescaler by two, select the signal to switch to the XT/COMP output pin and/or select a specific test mode. Three of the four output ports can also be used as input ports and a 5-level ADC is provided. Digital information concerning the input ports and the ADC can be read out of the TSA5059 on the SDA line (one status byte) during a READ operation. A flag is set when the loop is 'in-lock' and is read during a READ operation, as well as the Power-on reset flag. The device has four programmable addresses, programmed by applying a specific voltage at pin AS, enabling the use of multiple synthesizers in the same system.



## 2.7 GHz I<sup>2</sup>C-bus controlled low phase noise frequency synthesizer

TSA5059

### QUICK REFERENCE DATA

$V_{CC} = 4.5$  to  $5.5$  V;  $T_{amb} = -20$  to  $+85$  °C; unless otherwise specified.

SYMBOL	PARAMETER	CONDITIONS	MIN.	TYP.	MAX.	UNIT
$V_{CC}$	supply voltage		4.5	5.0	5.5	V
$I_{CC}$	supply current	$T_{amb} = 25$ °C	30	37	45	mA
$f_{i(RF)}$	RF input frequency		64	–	2700	MHz
$V_{i(RF)(rms)}$	RF input voltage (RMS value)	$f_{i(RF)}$ from 64 to 150 MHz; note 1	12.6	–	300	mV
			–25	–	+2.5	dBm
		$f_{i(RF)}$ from 150 to 2200 MHz; note 1	7.1	–	300	mV
			–30	–	+2.5	dBm
		$f_{i(RF)}$ from 2.2 to 2.7 GHz; note 1	22.4	–	300	mV
			–20	–	+2.5	dBm
$f_{xtal}$	crystal frequency		4	–	16	MHz
$T_{amb}$	ambient temperature		–20	–	+85	°C
$T_{stg}$	storage temperature		–40	–	+150	°C

### Note

- Asymmetrical drive on pin RFA or RFB; see Fig.3.

### ORDERING INFORMATION

TYPE NUMBER	PACKAGE		
	NAME	DESCRIPTION	VERSION
TSA5059T	SO16	plastic small outline package; 16 leads; body width 3.9 mm	SOT109-1
TSA5059TS	SSOP16	plastic shrink small outline package; 16 leads; body width 4.4 mm	SOT369-1

# 2.7 GHz I<sup>2</sup>C-bus controlled low phase noise frequency synthesizer

TSA5059

## BLOCK DIAGRAM

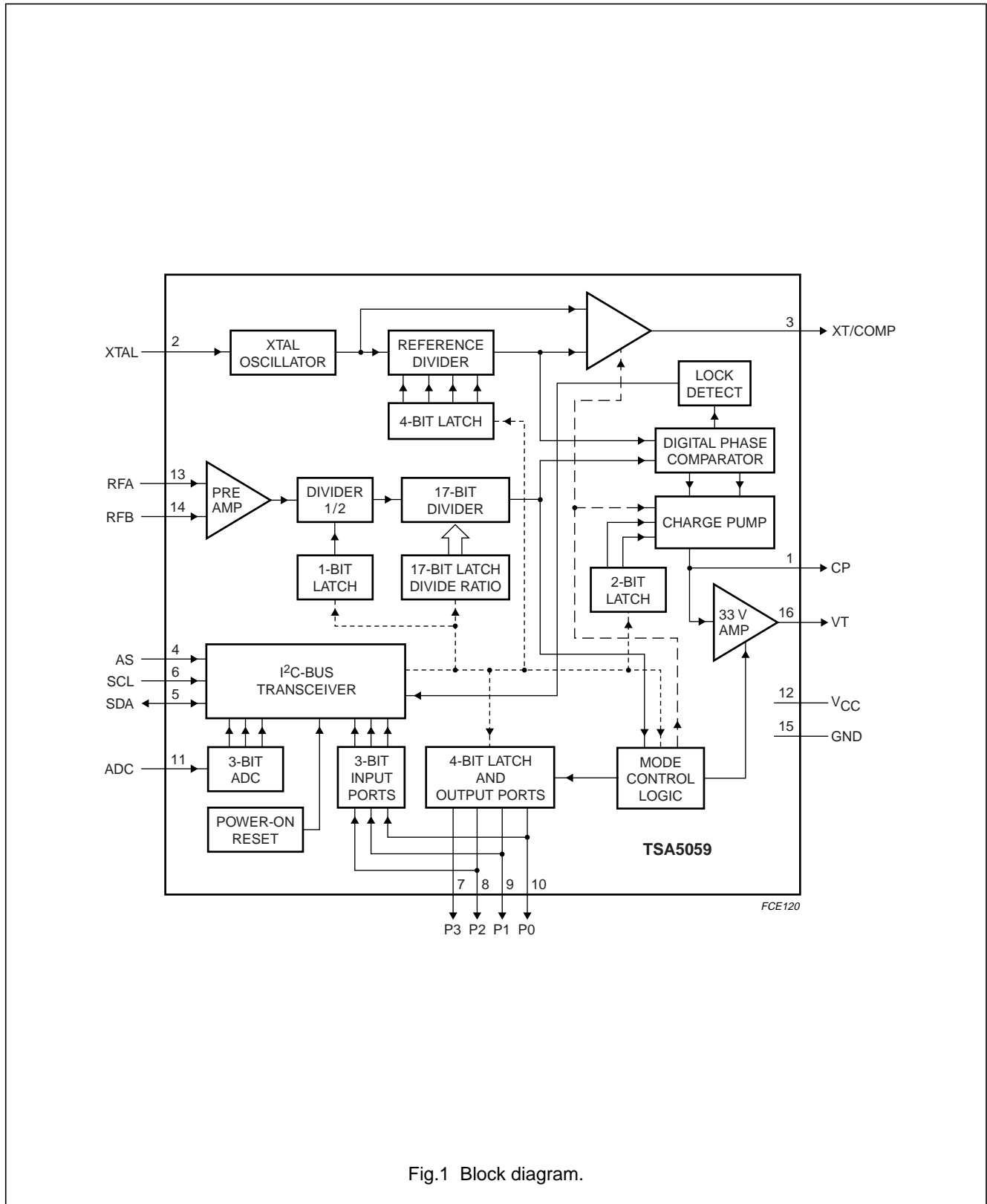


Fig.1 Block diagram.

# 2.7 GHz I<sup>2</sup>C-bus controlled low phase noise frequency synthesizer

TSA5059

## PINNING

SYMBOL	PIN	DESCRIPTION
CP	1	charge pump output
XTAL	2	crystal oscillator input
XT/COMP	3	$f_{xtal}$ or $f_{comp}$ signal output
AS	4	I <sup>2</sup> C-bus address selection input
SDA	5	I <sup>2</sup> C-bus serial data input/output
SCL	6	I <sup>2</sup> C-bus serial clock input
P3	7	general purpose output Port 3
P2	8	general purpose input/output Port 2
P1	9	general purpose input/output Port 1
P0	10	general purpose input/output Port 0
ADC	11	analog-to-digital converter input
V <sub>CC</sub>	12	supply voltage
RFA	13	RF signal input A
RFB	14	RF signal input B
GND	15	ground supply
VT	16	tuning voltage output

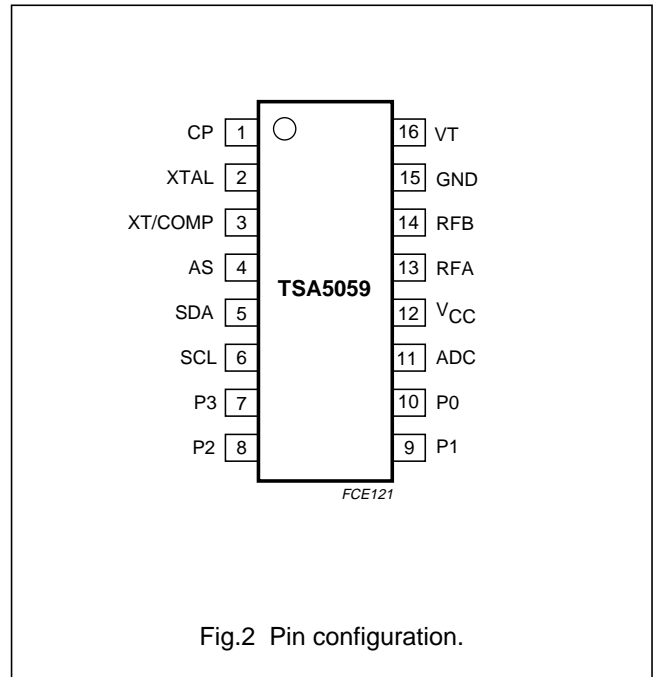


Fig.2 Pin configuration.

## FUNCTIONAL DESCRIPTION

The TSA5059 contains all the necessary elements but a reference source and a loop filter to control a varicap tuned local oscillator forming a phase locked loop frequency synthesized source. The IC is designed in a high speed process with a fast phase detector to allow a high comparison frequency to reach a low phase noise level on the oscillator.

The block diagram is shown in Fig.1. The RF signal is applied at pins RFA and RFB. Thanks to the input preamplifier a good sensitivity is provided. The output of the preamplifier is fed to the 17-bit programmable divider either through a divide-by-two prescaler or directly. Because of the internal high speed process, the RF divider is working for a frequency up to 2.7 GHz, without the need for the divide-by-two prescaler to be used. This prescaler is present on chip for compatibility reasons with existing circuits.

The output of the 17-bit programmable divider  $f_{DIV}$  is fed into the phase comparator, where it is compared in both phase and frequency with the comparison frequency  $f_{comp}$ . This frequency is derived from the signal present at pin XTAL,  $f_{xtal}$ , divided down in the reference divider. It is possible either to connect a quartz crystal to pin XTAL and then using the on-chip crystal oscillator, or to feed this pin

with a reference signal from an external source.

The reference divider can have a dividing ratio selected from 16 different values between 2 and 320, including the ratio 24 to cope with the offset requirement of the UK-DTT system, see Table 8.

The output of the phase comparator drives the charge pump and the loop amplifier section. This amplifier has an on-chip high voltage drive transistor which avoids the use of an additional external component. Pin CP is the output of the charge pump, and pin VT is the pin to drive the tuning voltage to the varicap diode of the Voltage Controlled Oscillator (VCO). The loop filter has to be connected between pins CP and VT.

In addition, it is possible to drive another PLL synthesizer, or the clock input of a digital demodulation IC, from the pin XT/COMP. It is possible to select by software either  $f_{xtal}$ , the crystal oscillator frequency or  $f_{comp}$ , the frequency present after the reference divider at this pin. It is also possible to switch off this output, in case it is not used.

For test and alignment purposes, it is possible to release the tuning voltage output to be able to apply an external voltage on it, to select one of the three charge pump test modes, and to monitor half the  $f_{DIV}$  at Port P0. See Table 10 for all possible modes.

## 2.7 GHz I<sup>2</sup>C-bus controlled low phase noise frequency synthesizer

TSA5059

Four open-collector output ports are provided on the IC for general purpose; three of these can also be used as input ports. A 3-bit ADC is also available.

The TSA5059 is controlled via the two-wire I<sup>2</sup>C-bus. For programming, there is one 7-bit module address and the R/W bit for selecting READ or WRITE mode. To be able to have more than one synthesizer in an I<sup>2</sup>C-bus system, one of four possible addresses is selected depending on the voltage applied at pin AS (see Table 3).

The TSA5059 fulfils the fast mode I<sup>2</sup>C-bus, according to the Philips I<sup>2</sup>C-bus specification. The I<sup>2</sup>C-bus interface is designed in such a way that pins SCL and SDA can be connected either to 5 or to 3.3 V pulled-up I<sup>2</sup>C-bus lines, allowing the PLL synthesizer to be connected directly to the bus lines of a 3.3 V microcontroller.

### WRITE mode: R/W = 0

After the address transmission (first byte), data bytes can be sent to the device (see Table 1). Four data bytes are needed to fully program the TSA5059. The bus transceiver has an auto-increment facility that permits programming of the TSA5059 within one single transmission (address + 4 data bytes).

The TSA5059 can also be partly programmed on the condition that the first data byte following the address is byte 2 or byte 4. The meaning of the bits in the data bytes is given in Table 1. The first bit of the first data byte transmitted indicates whether byte 2 (first bit is logic 0) or byte 4 (first bit is logic 1) will follow. Until an I<sup>2</sup>C-bus STOP condition is sent by the controller, additional data bytes can be entered without the need to re-address the device. To allow a smooth frequency sweep for fine tuning, and while the data of the dividing ratio of the main divider is in data bytes 2, 3 and 4, it is necessary for changing the frequency to send the data bytes 2 to 5 in a repeated sending, or to finish an incomplete transmission by a STOP condition. Repeated sending of data bytes 2 and 3 without ending the transmission does not change the dividing ratio. To illustrate, the following data sequences will change the dividing ratio:

- Bytes 2, 3, 4 and 5
- Bytes 4, 5, 2 and 3
- Bytes 2, 3, 4 and STOP
- Bytes 4, 5, 2 and STOP
- Bytes 2, 3 and STOP
- Bytes 2 and STOP
- Bytes 4 and STOP.

**Table 1** Write data format

BYTE	DESCRIPTION	MSB <sup>(1)</sup>								LSB	CONTROL BIT
1	address	1	1	0	0	0	MA1	MA0	0	A	
2	programmable divider	0	N14	N13	N12	N11	N10	N9	N8	A	
3	programmable divider	N7	N6	N5	N4	N3	N2	N1	N0	A	
4	control data	1	N16	N15	PE	R3	R2	R1	R0	A	
5	control data	C1	C0	XCE	XCS	P3	P2/T2	P1/T1	P0/T0	A	

### Note

1. MSB is transmitted first.

## 2.7 GHz I<sup>2</sup>C-bus controlled low phase noise frequency synthesizer

TSA5059

**Table 2** Explanation of Table 1

BIT	DESCRIPTION
MA1 and MA0	programmable address bits; see Table 3
A	acknowledge bit
N16 to N0	programmable main divider ratio control bits; $N = N16 \times 2^{16} + N15 \times 2^{15} + \dots + N1 \times 2^1 + N0$
PE	prescaler enable (prescaler by 2 is active when bit PE = 1)
R3 to R0	programmable reference divider ratio control bits; see Table 8
C1 and C0	charge pump current select bits; see Table 9
XCE	XT/COMP enable; XT/COMP output active when bit XCE = 1; see Table 10
XCS	XT/COMP select; signal select when bit XCE = 1, test mode enable when bit XCE = 0; see Table 10
T2, T1 and T0	test mode select when bit XCE = 0 and bit XCS = 1; see Table 10
P3, P2 and P1	Port P3, P2 and P1 output states
P0	Port P0 output state, except in test mode; see Table 10

**Address selection** (see Table 3)

The module address contains programmable address bits (MA1 and MA0), which offer the possibility of having up to 4 synthesizers in one system. The relationship between MA1 and MA0 and the input voltage at pin AS is given in Table 3.

**Table 3** Address selection

MA1	MA0	VOLTAGE APPLIED TO PIN AS
0	0	0 to $0.1V_{CC}$
0	1	open-circuit
1	0	$0.4V_{CC}$ to $0.6V_{CC}$ ; note 1
1	1	$0.9V_{CC}$ to $V_{CC}$

**Note**

1. This address is selected by connecting a 15 k $\Omega$  resistor between pin AS and pin  $V_{CC}$ .

**Status at Power-On Reset (POR)**

At power-on or when the supply voltage drops below approximately 2.75 V, internal registers are set according to Table 4.

**Table 4** Status at Power-on reset; note 1

BYTE	DESCRIPTION	MSB					LSB			CONTROL BIT
1	address	1	1	0	0	0	MA1	MA0	0	A
2	programmable divider	0	X	X	X	X	X	X	X	A
3	programmable divider	X	X	X	X	X	X	X	X	A
4	control data	1	X	X	X	X	X	X	X	A
5	control data	0	0	0	1	X <sup>(2)</sup>	1 <sup>(2)</sup>	X <sup>(2)</sup>	X <sup>(2)</sup>	A

**Notes**

1. X = don't care.
2. At Power-on reset, all output ports are in high-impedance state.

## 2.7 GHz I<sup>2</sup>C-bus controlled low phase noise frequency synthesizer

TSA5059

### READ mode: $R/\overline{W} = 1$

Data can be read out of the TSA5059 by setting the bit  $R/\overline{W}$  to logic 1 (see Table 5). After the slave address has been recognized, the TSA5059 generates an acknowledge pulse and the first data byte (status word) is transferred on the SDA line (MSB first). Data is valid on the SDA line during a HIGH-level of the SCL clock signal.

A second data byte can be read out of the TSA5059 if the controller generates an acknowledge on the SDA line. End of transmission will occur if no acknowledge from the controller occurs. The TSA5059 will then release the data line to allow the controller to generate a STOP condition. When ports P0 to P2 are used as inputs, they must be programmed in their high-impedance state.

The POR flag is set to logic 1 when  $V_{CC}$  drops below approximately 2.75 V and at power-on.

It is reset to logic 0 when an end of data is detected by the TSA5059 (end of a READ sequence).

Control of the loop is made possible with the in-lock flag which indicates (bit FL = 1) when the loop is phase-locked.

The bits I2, I1 and I0 represent the status of the I/O ports P2, P1 and P0 respectively. A logic 0 indicates a LOW-level and a logic 1 indicates a HIGH-level.

A built-in 5-level ADC is available at pin ADC. This converter can be used to feed AFC information to the microcontroller through the I<sup>2</sup>C-bus. The relationship between bits A2, A1, A0 and the input voltage at pin ADC is given in Table 7.

**Table 5** Read data format

BYTE	DESCRIPTION	MSB <sup>(1)</sup>						LSB			CONTROL BIT
1	address	1	1	0	0	0	MA1	MA0	1	A	
2	status byte	POR	FL	I2	I1	I0	A2	A1	A0	–	

### Note

- MSB is transmitted first.

**Table 6** Explanation of Table 5

BIT	DESCRIPTION
A	acknowledge bit
MA1 and MA0	programmable address bits; see Table 3
POR	Power-on reset flag (bit POR = 1 on power-on)
FL	in-lock flag (bit FL = 1 when the loop is phase-locked)
I2, I1 and I0	digital information for I/O ports P2, P1 and P0 respectively
A2, A1 and A0	digital outputs of the 5-level ADC; see Table 7

**Table 7** ADC levels

A2	A1	A0	VOLTAGE APPLIED TO PIN ADC <sup>(1)</sup>
1	0	0	0.6V <sub>CC</sub> to V <sub>CC</sub>
0	1	1	0.45V <sub>CC</sub> to 0.6V <sub>CC</sub>
0	1	0	0.3V <sub>CC</sub> to 0.45V <sub>CC</sub>
0	0	1	0.15V <sub>CC</sub> to 0.3V <sub>CC</sub>
0	0	0	0 to 0.15V <sub>CC</sub>

### Note

- Accuracy is  $\pm 0.03V_{CC}$ .



## 2.7 GHz I<sup>2</sup>C-bus controlled low phase noise frequency synthesizer

TSA5059

### Reference divider ratio

The reference divider ratio is set by 4 bits in the WRITE mode, giving 16 different ratios which allow to adjust the comparison frequency to different values, depending on the compromise which has to be found between step size and phase noise.

Table 8 shows the different dividing ratios and the corresponding comparison frequencies and step size, assuming the device is provided with a 4 MHz signal at pin XTAL.

The dividing ratio of 24 is implemented to fulfil the UK-DTT recommendation regarding offset frequency of  $\frac{1}{6}$  MHz.

**Table 8** Reference dividing ratios

R3	R2	R1	R0	RATIO	COMPARISON FREQUENCY <sup>(1)</sup>	STEP	
						BIT PE = 0 <sup>(1)</sup>	BIT PE = 1 <sup>(1)</sup>
0	0	0	0	2	2 MHz	2 MHz	4 MHz
0	0	0	1	4	1 MHz	1 MHz	2 MHz
0	0	1	0	8	500 kHz	500 kHz	1 MHz
0	0	1	1	16	250 kHz	250 kHz	500 kHz
0	1	0	0	32	125 kHz	125 kHz	250 kHz
0	1	0	1	64	62.5 kHz	62.5 kHz	125 kHz
0	1	1	0	128	31.25 kHz	31.25 kHz	62.5 kHz
0	1	1	1	256	15.625 kHz	15.625 kHz	31.25 kHz
1	0	0	0	24	166.67 kHz	166.67 kHz	333.33 kHz
1	0	0	1	5	800 kHz	800 kHz	1.6 MHz
1	0	1	0	10	400 kHz	400 kHz	800 kHz
1	0	1	1	20	200 kHz	200 kHz	400 kHz
1	1	0	0	40	100 kHz	100 kHz	200 kHz
1	1	0	1	80	50 kHz	50 kHz	100 kHz
1	1	1	0	160	25 kHz	25 kHz	50 kHz
1	1	1	1	320	12.5 kHz	12.5 kHz	25 kHz

### Note

1. Only valid when the IC is used with a 4 MHz crystal.

### Charge pump current

The charge pump current can be chosen from 4 different values depending on the value of bits C1 and C0 in the I<sup>2</sup>C-bus byte 4, according to Table 9.

**Table 9** Charge pump current

C1	C0	I <sub>cp</sub> (μA) (absolute value)		
		MIN.	TYP.	MAX.
0	0	100	135	170
0	1	210	280	350
1	0	450	600	750
1	1	920	1230	1560

## 2.7 GHz I<sup>2</sup>C-bus controlled low phase noise frequency synthesizer

TSA5059

### XT/COMP frequency output

It is possible to output either the crystal or the comparison frequency at this pin to be used in the application, for example to drive a second PLL synthesizer, saving a quartz crystal in the bill of material. To output  $f_{xtal}$ , it is necessary to set bit XCE to logic 1 and bit XCS to logic 0, or bit XCE to logic 0 and bit XCS to logic 1 during a test mode, while to output  $f_{comp}$ , it is necessary to set both bits XCE and XCS to logic 1.

If the output signal at this pin is not used, it is recommended to disable it, setting both bits XCE and XCS to logic 0. Table 10 shows how this pin is programmed. At power-on, the XT/COMP output is set, with the  $f_{xtal}$  signal selected.

### Prescaler enable

Even if the TSA5059 is able to work with the relation  $f_{comp} = \text{step size for an input frequency up to 2.7 GHz}$ , this IC is designed to be backward compatible with existing ICs

for which this relation is only valid for an RF frequency up to 2.0 GHz and in which it is necessary to select a fixed divide-by-two prescaler for frequencies between 2.0 and 2.7 GHz.

The prescaler is selected by setting bit PE to logic 1 and it is not in use if bit PE is set to logic 0.

For new designs, and especially if it is important to reach a low phase noise on the controlled VCO, it is recommended to set bit PE to logic 0, and not to use the prescaler, allowing the comparison frequency to be equal to the step size, whatever the RF frequency is between 64 and 2700 MHz.

### Test modes

It is possible to access the test modes setting bit XCE to logic 0 and bit XCS to logic 1. One specific test mode is then selected using bits T2, T1 and T0, as described in Table 10.

**Table 10** XT/COMP and test mode selection; note 1

XCE	XCS	T2	T1	T0	XT/COMP OUTPUT	TEST MODE
0	0	X	X	X	disabled	normal operation
1	0	X	X	X	$f_{xtal}$	normal operation
1	1	X	X	X	$f_{comp}$	normal operation
0	1	0	0	0	$f_{xtal}$	test operation: charge pump sink; status byte: bit FL = 1
0	1	0	0	1	$f_{xtal}$	test operation: charge pump source; status byte: bit FL = 0
0	1	0	1	0	$f_{xtal}$	test operation: charge pump disabled; status byte: bit FL = 0
0	1	0	1	1	$f_{xtal}$	test operation: $\frac{1}{2}f_{DIV}$ switched to Port P0
0	1	1	X	X	$f_{xtal}$	test operation: tuning voltage (pin VT) is off (high-impedance); note 2

### Notes

1. X = don't care.
2. Status at Power-on reset.

## 2.7 GHz I<sup>2</sup>C-bus controlled low phase noise frequency synthesizer

TSA5059

### LIMITING VALUES

In accordance with the Absolute Maximum Rating System (IEC 134); note 1.

SYMBOL	PARAMETER	CONDITIONS	MIN.	MAX.	UNIT
V <sub>CC</sub>	supply voltage		-0.3	+6.0	V
V <sub>(n)</sub>	voltage on pins CP, XTAL, XT/COMP, AS, P0, P1, P2, P3, ADC, RFA and RFB SCL and SDA VT		-0.3	V <sub>CC</sub> + 0.3	V
I <sub>O(SDA)</sub>	serial data output current		-1.0	+10.0	mA
I <sub>O(Px)</sub>	P0, P1, P2 and P3 output current	port switched on	-1.0	+20.0	mA
I <sub>O(ΣPx)</sub>	sum of currents in P0, P1, P2 and P3		-	50.0	mA
T <sub>amb</sub>	ambient temperature		-20	+85	°C
T <sub>stg</sub>	storage temperature		-40	+150	°C
T <sub>j(max)</sub>	maximum junction temperature		-	150	°C
t <sub>sc</sub>	short-circuit time	each pin to V <sub>CC</sub> or GND	-	10	s

### Note

- Maximum ratings cannot be exceeded, not even momentarily without causing irreversible IC damage. Maximum ratings cannot be accumulated.

### HANDLING

Inputs and outputs are protected against electrostatic discharge in normal handling. However, to be completely safe, it is desirable to take normal precautions appropriate to handling integrated circuits.

### THERMAL CHARACTERISTICS

SYMBOL	PARAMETER	CONDITIONS	VALUE	UNIT
R <sub>th(j-a)</sub>	thermal resistance from junction to ambient TSA5059T (SOT109-1; SO16) TSA5059TS (SOT369-1; SSOP16)	in free air	115 144	K/W K/W

## 2.7 GHz I<sup>2</sup>C-bus controlled low phase noise frequency synthesizer

TSA5059

### CHARACTERISTICS

$V_{CC} = 4.5$  to  $5.5$  V;  $T_{amb} = -20$  to  $+85$  °C;  $f_{xtal} = 4$  MHz; measured according to Fig.4; unless otherwise specified.

SYMBOL	PARAMETER	CONDITIONS	MIN.	TYP.	MAX.	UNIT
<b>Supply (pin V<sub>CC</sub>)</b>						
V <sub>CC</sub>	supply voltage		4.5	5.0	5.5	V
I <sub>CC</sub>	supply current	T <sub>amb</sub> = 25 °C	30	37	45	mA
V <sub>CC(POR)</sub>	supply voltage below which POR is active	T <sub>amb</sub> = 25 °C	–	2.75	–	V
<b>RF inputs (pins RFA and RFB)</b>						
f <sub>i(RF)</sub>	RF input frequency		64	–	2700	MHz
V <sub>i(RF)(rms)</sub>	RF input voltage (RMS value)	f <sub>i(RF)</sub> between 64 and 150 MHz; note 1	12.6	–	300	mV
			–25	–	+2.5	dBm
		f <sub>i(RF)</sub> between 150 and 2200 MHz; note 1	7.1	–	300	mV
			–30	–	+2.5	dBm
		f <sub>i(RF)</sub> between 2.2 and 2.7 GHz; note 1	22.4	–	300	mV
			–20	–	+2.5	dBm
Z <sub>i(RF)</sub>	RF input impedance	see Fig.7	–	–	–	Ω
C <sub>i(RF)</sub>	RF input capacitance	see Fig.7	–	–	–	pF
MDR	main divider ratio	prescaler disabled	64	–	131071	
		prescaler enabled	128	–	262142	
<b>Crystal oscillator (pin XTAL)</b>						
f <sub>xtal</sub>	crystal frequency		4	–	16	MHz
Z <sub>XTAL</sub>	crystal oscillator negative impedance	4 MHz crystal	400	680	–	Ω
Z <sub>XTAL</sub>	recommended crystal series resistance	4 MHz crystal	–	–	200	Ω
P <sub>XTAL</sub>	crystal drive level	4 MHz crystal; note 2	–	40	–	μW
f <sub>i(ext)</sub>	external reference input frequency	note 3	2	–	20	MHz
V <sub>i(ext)(p-p)</sub>	external reference input voltage (peak-to-peak value)	note 3	200	–	500	mV
<b>Phase comparator and charge pump</b>						
f <sub>comp</sub>	comparison frequency		–	–	2	MHz
N <sub>comp</sub>	equivalent phase noise at the phase detector input	f <sub>comp</sub> = 250 kHz; C1 = C0 = 1; in the loop bandwidth	–	–157	–	dBc/Hz
I <sub>cp</sub>	charge pump current	C1 = 0; C0 = 0	100	135	170	μA
		C1 = 0; C0 = 1	210	280	350	μA
		C1 = 1; C0 = 0	450	600	750	μA
		C1 = 1; C0 = 1	920	1230	1540	μA
I <sub>cpl</sub>	charge pump leakage current		–10	0	+10	nA

## 2.7 GHz I<sup>2</sup>C-bus controlled low phase noise frequency synthesizer

TSA5059

SYMBOL	PARAMETER	CONDITIONS	MIN.	TYP.	MAX.	UNIT
<b>Tuning voltage output (pin VT)</b>						
I <sub>IO(off)</sub>	leakage current when switched off	XCE = 0; XCS = 1; T2 = 1; V <sub>VT</sub> = 33 V	–	–	–10	μA
V <sub>O</sub>	output voltage	when the loop is locked; normal mode; V <sub>VT</sub> = 33 V; pull-up resistor of 27 kΩ	0.25	–	32.7	V
<b>XT/COMP output (pin XT/COMP)</b>						
V <sub>O(p-p)</sub>	AC output voltage (peak-to-peak value)	XCE = 1	–	400	–	mV
<b>Input/output and output ports (pins P0, P1, P2 and P3)</b>						
I <sub>IO</sub>	port leakage current	port off; V <sub>O</sub> = V <sub>CC</sub>	–	–	10	μA
V <sub>O(sat)</sub>	output port saturation voltage	port on; I <sub>sink</sub> = 10 mA	–	0.2	0.4	V
V <sub>IL</sub>	LOW-level input voltage		–	–	1.5	V
V <sub>IH</sub>	HIGH-level input voltage		3.0	–	–	V
<b>ADC input (pin ADC)</b>						
I <sub>LIH</sub>	HIGH-level input leakage current	V <sub>ADC</sub> = V <sub>CC</sub>	–	–	10	μA
I <sub>LIL</sub>	LOW-level input leakage current	V <sub>ADC</sub> = 0 V	–10	–	–	μA
<b>Address selection (pin AS)</b>						
I <sub>LIH</sub>	HIGH-level input leakage current	V <sub>AS</sub> = V <sub>CC</sub>	–	–	1	mA
I <sub>LIL</sub>	LOW-level input leakage current	V <sub>AS</sub> = 0 V	–0.5	–	–	mA
<b>SCL and SDA inputs (pins SCL and SDA)</b>						
V <sub>IL</sub>	LOW-level input voltage		–	–	1.5	V
V <sub>IH</sub>	HIGH-level input voltage		2.3	–	–	V
I <sub>LIH</sub>	HIGH-level input leakage current	V <sub>IH</sub> = 5.5 V V <sub>CC</sub> = 5.5 V V <sub>CC</sub> = 0 V	–	–	10	μA
I <sub>LIL</sub>	LOW-level input leakage current	V <sub>IL</sub> = 0 V; V <sub>CC</sub> = 5.5 V	–10	–	–	μA
f <sub>SCL</sub>	SCL clock frequency		–	–	400	kHz
<b>SDA output (pin SDA)</b>						
V <sub>O(ack)</sub>	output voltage during acknowledge	I <sub>sink</sub> = 3 mA	–	–	0.4	V
		I <sub>sink</sub> = 6 mA	–	–	0.6	V

### Notes

- Asymmetrical drive on pin RFA or RFB; see Fig.3.
- The drive level is expected with the crystal at series resonance with a series resistance of 50 Ω. The value will be different with another crystal.
- To drive pin XTAL from the pin XT/COMP of another TSA5059, couple the signal through a capacitor of 1 nF (to remove the DC level), in series with an 1.2 kΩ resistor, see Fig.5.

2.7 GHz I<sup>2</sup>C-bus controlled low phase noise frequency synthesizer

TSA5059

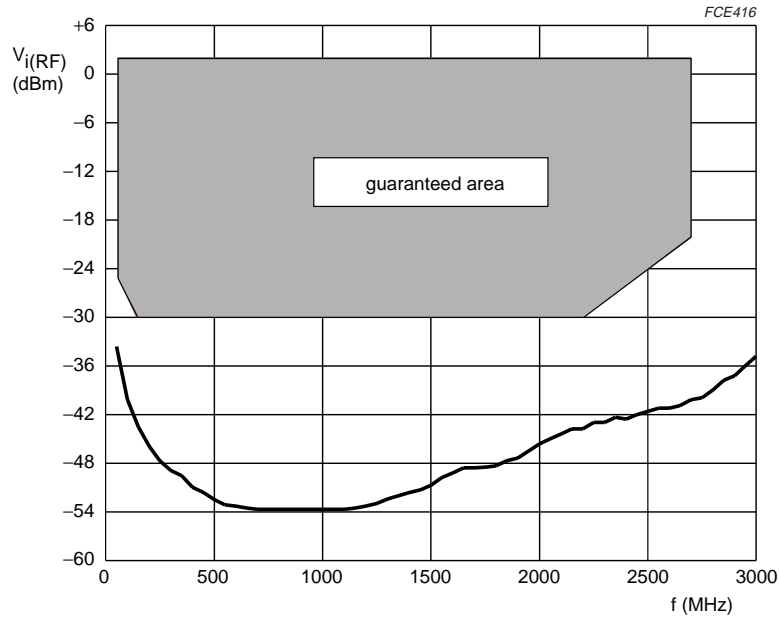


Fig.3 Sensitivity curve.

# 2.7 GHz I<sup>2</sup>C-bus controlled low phase noise frequency synthesizer

TSA5059

## APPLICATION INFORMATION

An example of a typical application is given in Fig.4. In this application the VCO centre frequency is 1.5 GHz, with a slope of 100 MHz/V; the expected loop bandwidth is 10 kHz with a charge pump current of 555  $\mu$ A and  $f_{comp}$  of 250 kHz. Filter components need to be adapted to each application depending on the VCO characteristics and the required performance of the loop.

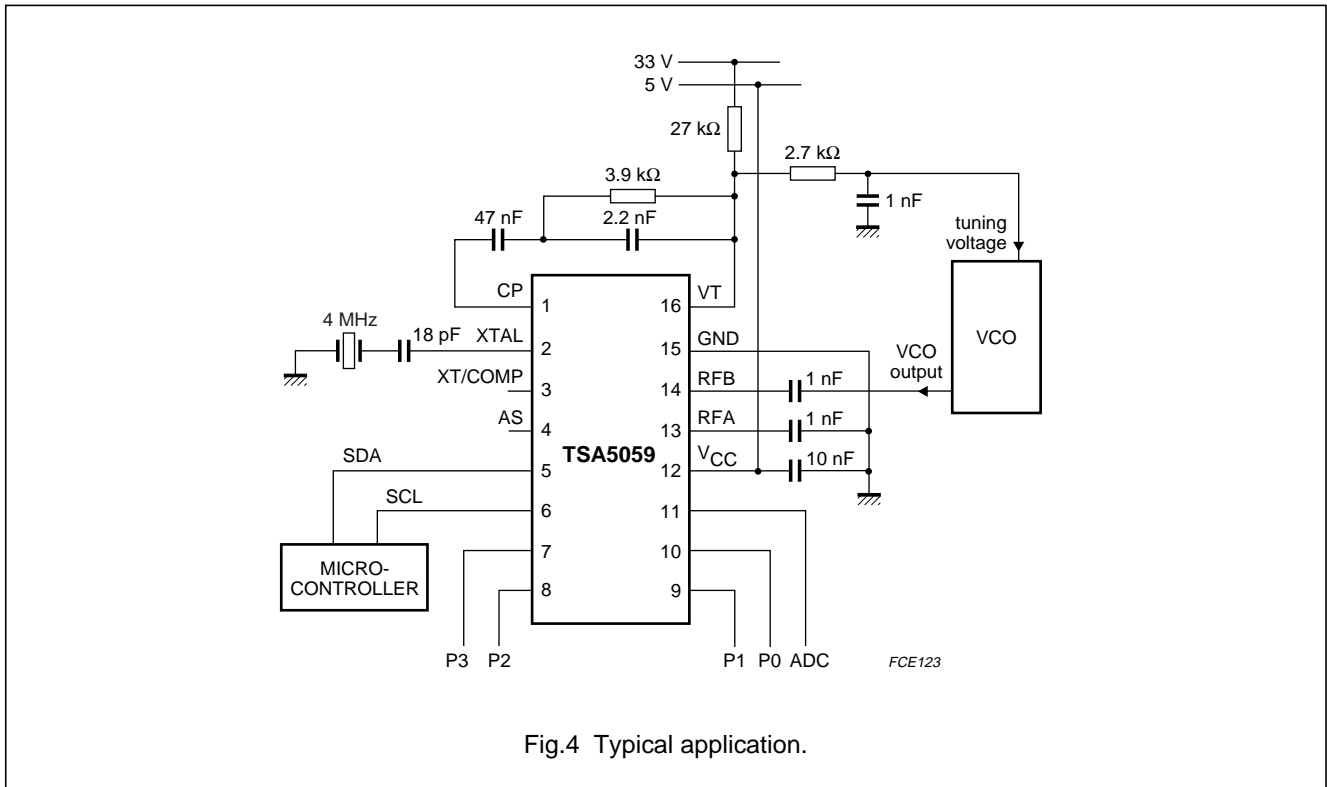


Fig.4 Typical application.

### Loop bandwidth

Most of the applications the TSA5059 are dedicated for require a large loop bandwidth, in the order of a few kHz to a few tens of kHz. The calculation of the loop filter elements has to be done for each application, while it depends on the VCO slope and phase noise, as well as the reference frequency and charge pump current. A simulation of the loop can easily be done by using the SIMPATA software from Philips.

### Reference source

The TSA5059 is well suited to be used with a 4 MHz crystal connected to pin XTAL. Philips crystal ordering code 4322 143 04093 is recommended in this case.

It is however possible to use a crystal with an higher frequency (up to 16 MHz) to improve the noise performance. When choosing a crystal, one should take notice to select a crystal able to withstand the drive level of the TSA5059 without suffering from accelerated ageing.

It is also possible to feed pin XTAL with an external signal between 2 and 20 MHz, coming from an external oscillator or from the pin XT/COMP of another TSA5059, when more than one synthesizer is present in the same application. Then the application given in Fig.5 should be used.

If the signal at pin XT/COMP is not used in an application, the output should be switched off ( $XCE = 0$ ,  $XCS = 0$ ). This pin should then be open.

# 2.7 GHz I<sup>2</sup>C-bus controlled low phase noise frequency synthesizer

## TSA5059

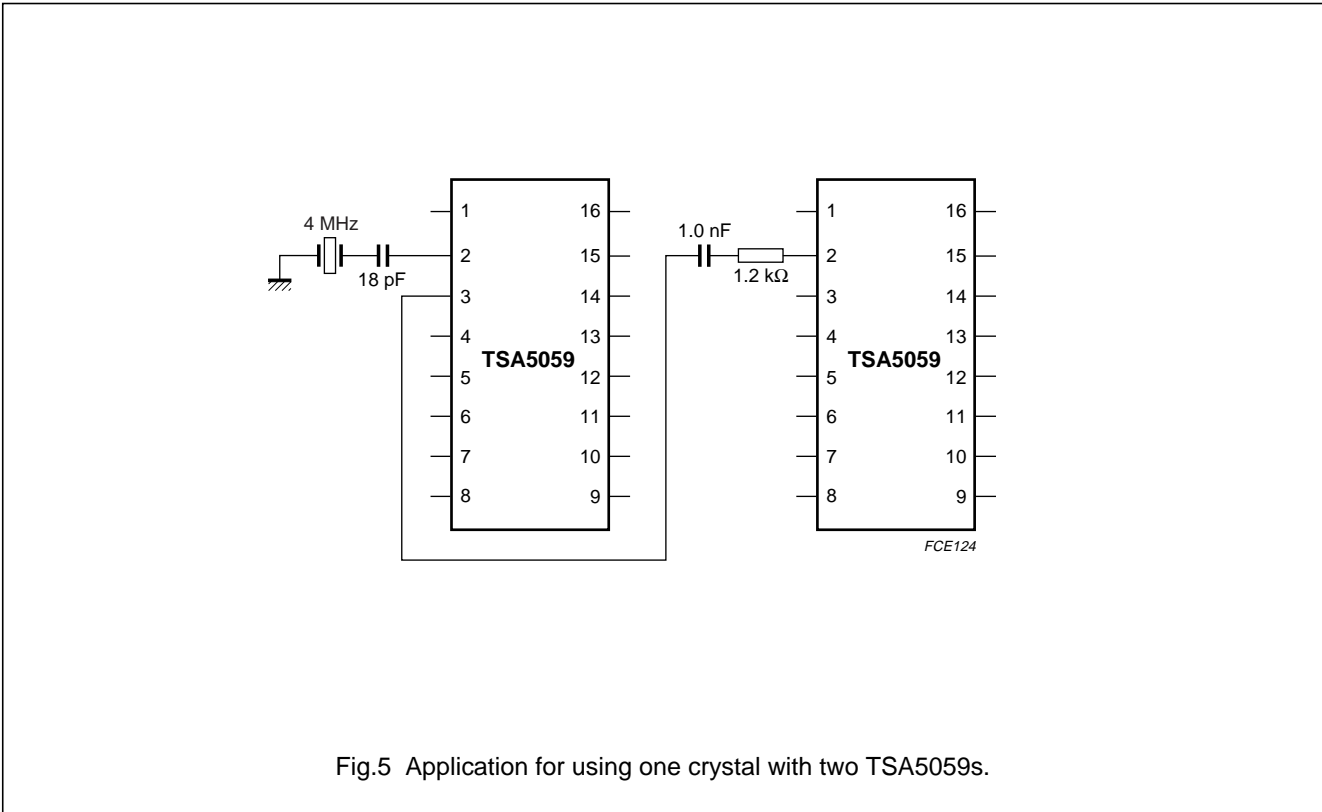


Fig.5 Application for using one crystal with two TSA5059s.

### I<sup>2</sup>C-bus crosstalk and loop amplifier

The TSA5059 includes a loop amplifier between pin CP and pin VT. While this amplifier shares the same ground pin as the I<sup>2</sup>C-bus, there may be some I<sup>2</sup>C-bus crosstalk.

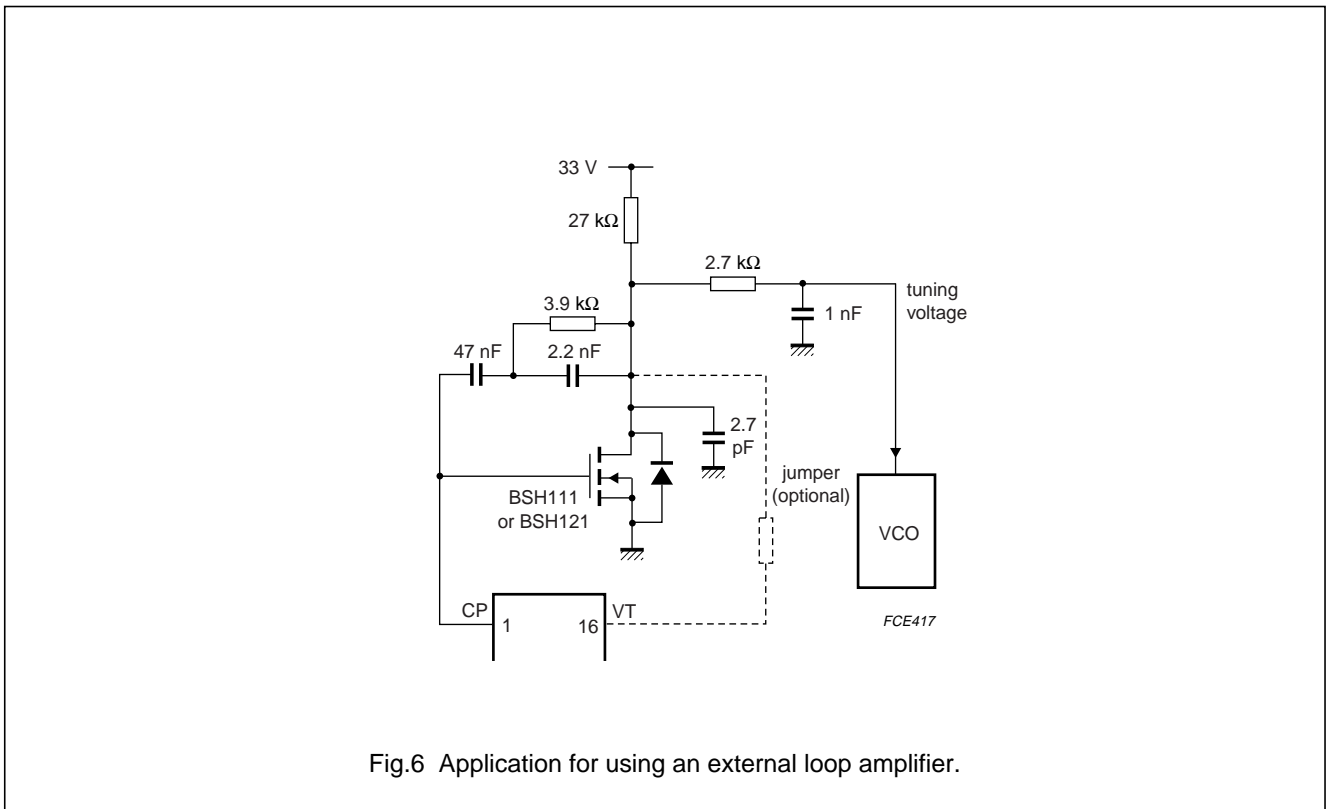
The best way to avoid any I<sup>2</sup>C-bus crosstalk, both in the PLL IC and in the application (i.e. parasitic coupling between the I<sup>2</sup>C-bus lines and the VCO coil), is to avoid the I<sup>2</sup>C-bus signal to come in the RF part by using an I<sup>2</sup>C-bus gate that allows only the messages for the PLL to go to the PLL, and to avoid unnecessary repeated sending. Such a gate is integrated in most of the Philips digital demodulators.

If I<sup>2</sup>C-bus crosstalk is still a problem, it is possible not to use the internal amplifier, and to replace it with a NMOS transistor in the application as given in Fig.6. In this case the pin VT is left open, and it is possible to implement on the PCB the foot print for a jumper between the tuning voltage line and pin VT to be able to choose either the internal amplifier (mounting the jumper and not the NMOS transistor) or the external amplifier (mounting the NMOS transistor and not the jumper). It is recommended to use a BSH111 or BSH121 N-channel MOS transistor. The threshold voltage of the transistor has to be lower than 2.0 V.

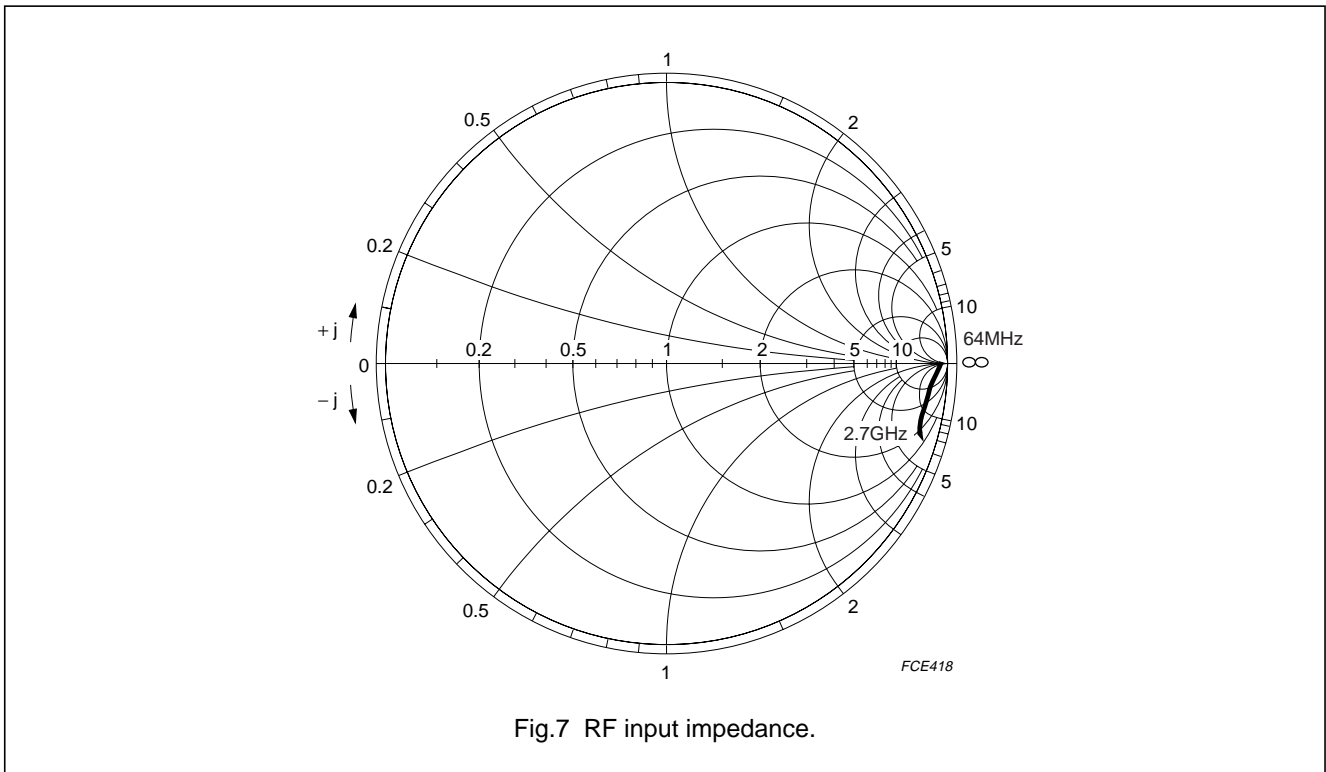


2.7 GHz I<sup>2</sup>C-bus controlled low phase noise frequency synthesizer

TSA5059



RF input impedance



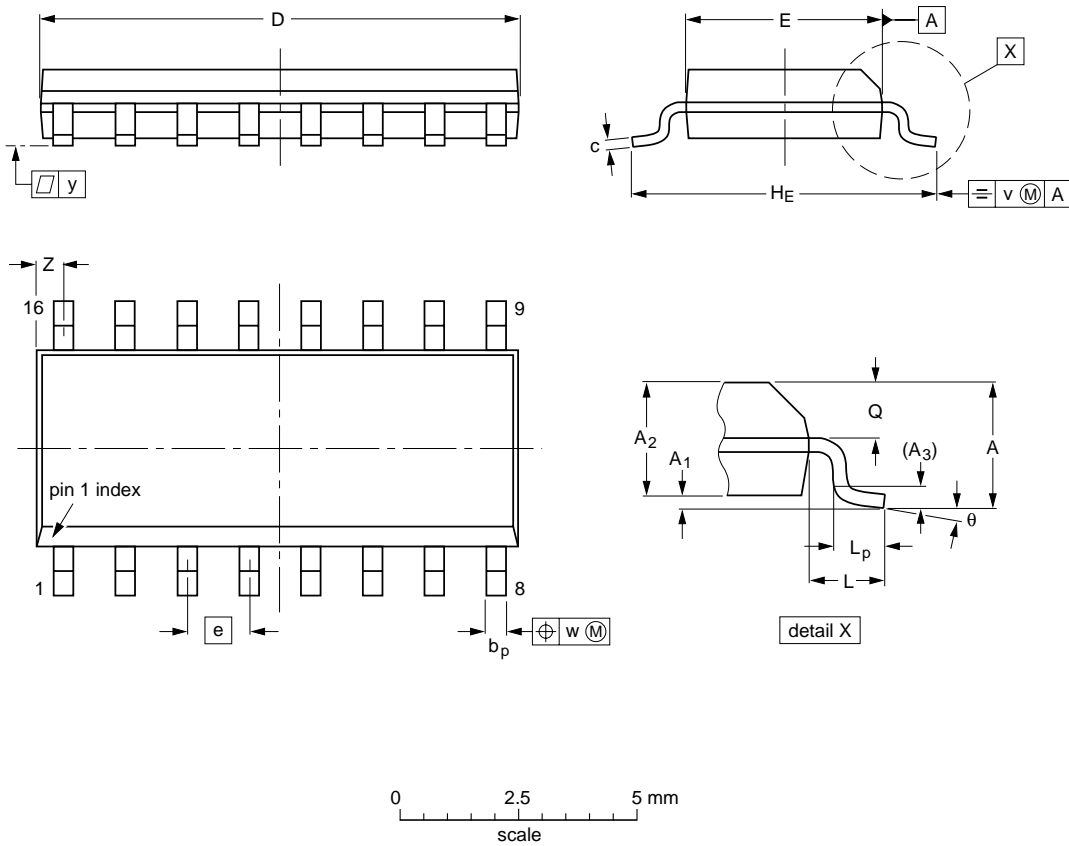
# 2.7 GHz I<sup>2</sup>C-bus controlled low phase noise frequency synthesizer

TSA5059

## PACKAGE OUTLINES

SO16: plastic small outline package; 16 leads; body width 3.9 mm

SOT109-1



**DIMENSIONS (inch dimensions are derived from the original mm dimensions)**

UNIT	A max.	A <sub>1</sub>	A <sub>2</sub>	A <sub>3</sub>	b <sub>p</sub>	c	D <sup>(1)</sup>	E <sup>(1)</sup>	e	H <sub>E</sub>	L	L <sub>p</sub>	Q	v	w	y	z <sup>(1)</sup>	θ
mm	1.75	0.25 0.10	1.45 1.25	0.25	0.49 0.36	0.25 0.19	10.0 9.8	4.0 3.8	1.27	6.2 5.8	1.05	1.0 0.4	0.7 0.6	0.25	0.25	0.1	0.7 0.3	8° 0°
inches	0.069	0.010 0.004	0.057 0.049	0.01	0.019 0.014	0.0100 0.0075	0.39 0.38	0.16 0.15	0.050	0.244 0.228	0.041	0.039 0.016	0.028 0.020	0.01	0.01	0.004	0.028 0.012	

**Note**

1. Plastic or metal protrusions of 0.15 mm maximum per side are not included.

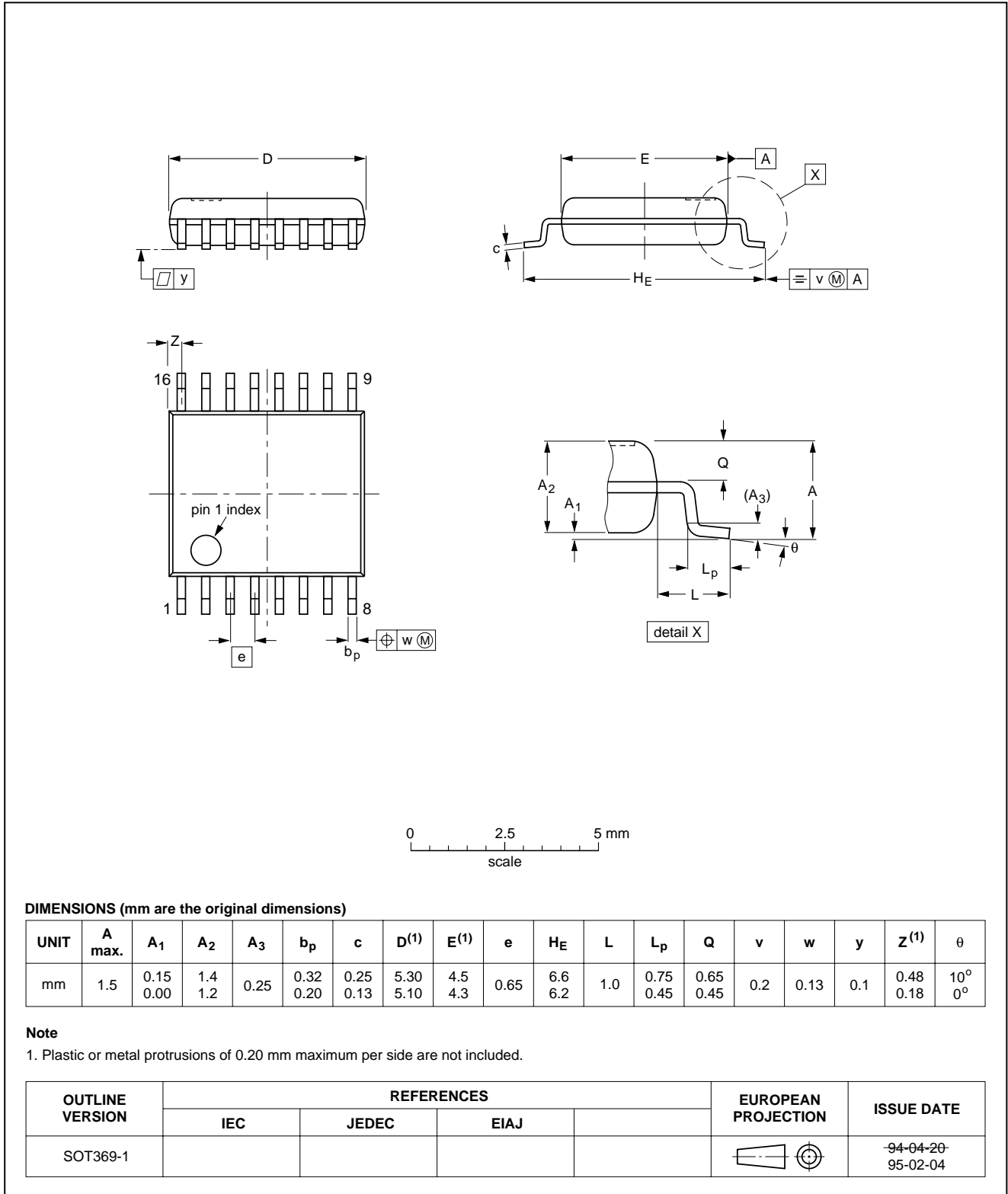
OUTLINE VERSION	REFERENCES				EUROPEAN PROJECTION	ISSUE DATE
	IEC	JEDEC	EIAJ			
SOT109-1	076E07S	MS-012AC				95-01-23 97-05-22

# 2.7 GHz I<sup>2</sup>C-bus controlled low phase noise frequency synthesizer

TSA5059

SSOP16: plastic shrink small outline package; 16 leads; body width 4.4 mm

SOT369-1



## 2.7 GHz I<sup>2</sup>C-bus controlled low phase noise frequency synthesizer

TSA5059

### SOLDERING

#### Introduction to soldering surface mount packages

This text gives a very brief insight to a complex technology. A more in-depth account of soldering ICs can be found in our *"Data Handbook IC26; Integrated Circuit Packages"* (document order number 9398 652 90011).

There is no soldering method that is ideal for all surface mount IC packages. Wave soldering is not always suitable for surface mount ICs, or for printed-circuit boards with high population densities. In these situations reflow soldering is often used.

#### Reflow soldering

Reflow soldering requires solder paste (a suspension of fine solder particles, flux and binding agent) to be applied to the printed-circuit board by screen printing, stencilling or pressure-syringe dispensing before package placement.

Several methods exist for reflowing; for example, infrared/convection heating in a conveyor type oven. Throughput times (preheating, soldering and cooling) vary between 100 and 200 seconds depending on heating method.

Typical reflow peak temperatures range from 215 to 250 °C. The top-surface temperature of the packages should preferably be kept below 230 °C.

#### Wave soldering

Conventional single wave soldering is not recommended for surface mount devices (SMDs) or printed-circuit boards with a high component density, as solder bridging and non-wetting can present major problems.

To overcome these problems the double-wave soldering method was specifically developed.

If wave soldering is used the following conditions must be observed for optimal results:

- Use a double-wave soldering method comprising a turbulent wave with high upward pressure followed by a smooth laminar wave.
- For packages with leads on two sides and a pitch (e):
  - larger than or equal to 1.27 mm, the footprint longitudinal axis is **preferred** to be parallel to the transport direction of the printed-circuit board;
  - smaller than 1.27 mm, the footprint longitudinal axis **must** be parallel to the transport direction of the printed-circuit board.

The footprint must incorporate solder thieves at the downstream end.

- For packages with leads on four sides, the footprint must be placed at a 45° angle to the transport direction of the printed-circuit board. The footprint must incorporate solder thieves downstream and at the side corners.

During placement and before soldering, the package must be fixed with a droplet of adhesive. The adhesive can be applied by screen printing, pin transfer or syringe dispensing. The package can be soldered after the adhesive is cured.

Typical dwell time is 4 seconds at 250 °C.

A mildly-activated flux will eliminate the need for removal of corrosive residues in most applications.

#### Manual soldering

Fix the component by first soldering two diagonally-opposite end leads. Use a low voltage (24 V or less) soldering iron applied to the flat part of the lead. Contact time must be limited to 10 seconds at up to 300 °C.

When using a dedicated tool, all other leads can be soldered in one operation within 2 to 5 seconds between 270 and 320 °C.

## 2.7 GHz I<sup>2</sup>C-bus controlled low phase noise frequency synthesizer

TSA5059

### Suitability of surface mount IC packages for wave and reflow soldering methods

PACKAGE	SOLDERING METHOD	
	WAVE	REFLOW <sup>(1)</sup>
BGA, SQFP	not suitable	suitable
HLQFP, HSQFP, HSOP, HTSSOP, SMS	not suitable <sup>(2)</sup>	suitable
PLCC <sup>(3)</sup> , SO, SOJ	suitable	suitable
LQFP, QFP, TQFP	not recommended <sup>(3)(4)</sup>	suitable
SSOP, TSSOP, VSO	not recommended <sup>(5)</sup>	suitable

#### Notes

1. All surface mount (SMD) packages are moisture sensitive. Depending upon the moisture content, the maximum temperature (with respect to time) and body size of the package, there is a risk that internal or external package cracks may occur due to vaporization of the moisture in them (the so called popcorn effect). For details, refer to the Drypack information in the *"Data Handbook IC26; Integrated Circuit Packages; Section: Packing Methods"*.
2. These packages are not suitable for wave soldering as a solder joint between the printed-circuit board and heatsink (at bottom version) can not be achieved, and as solder may stick to the heatsink (on top version).
3. If wave soldering is considered, then the package must be placed at a 45° angle to the solder wave direction. The package footprint must incorporate solder thieves downstream and at the side corners.
4. Wave soldering is only suitable for LQFP, TQFP and QFP packages with a pitch (e) equal to or larger than 0.8 mm; it is definitely not suitable for packages with a pitch (e) equal to or smaller than 0.65 mm.
5. Wave soldering is only suitable for SSOP and TSSOP packages with a pitch (e) equal to or larger than 0.65 mm; it is definitely not suitable for packages with a pitch (e) equal to or smaller than 0.5 mm.

## 2.7 GHz I<sup>2</sup>C-bus controlled low phase noise frequency synthesizer

TSA5059

### DEFINITIONS

<b>Data sheet status</b>	
Objective specification	This data sheet contains target or goal specifications for product development.
Preliminary specification	This data sheet contains preliminary data; supplementary data may be published later.
Product specification	This data sheet contains final product specifications.
<b>Limiting values</b>	
Limiting values given are in accordance with the Absolute Maximum Rating System (IEC 134). Stress above one or more of the limiting values may cause permanent damage to the device. These are stress ratings only and operation of the device at these or at any other conditions above those given in the Characteristics sections of the specification is not implied. Exposure to limiting values for extended periods may affect device reliability.	
<b>Application information</b>	
Where application information is given, it is advisory and does not form part of the specification.	

### LIFE SUPPORT APPLICATIONS

These products are not designed for use in life support appliances, devices, or systems where malfunction of these products can reasonably be expected to result in personal injury. Philips customers using or selling these products for use in such applications do so at their own risk and agree to fully indemnify Philips for any damages resulting from such improper use or sale.

### PURCHASE OF PHILIPS I<sup>2</sup>C COMPONENTS



Purchase of Philips I<sup>2</sup>C components conveys a license under the Philips' I<sup>2</sup>C patent to use the components in the I<sup>2</sup>C system provided the system conforms to the I<sup>2</sup>C specification defined by Philips. This specification can be ordered using the code 9398 393 40011.

---

2.7 GHz I<sup>2</sup>C-bus controlled low phase  
noise frequency synthesizer

---

TSA5059

**NOTES**

# Philips Semiconductors – a worldwide company

**Argentina:** see South America

**Australia:** 3 Figtree Drive, HOMEBUSH, NSW 2140,  
Tel. +61 2 9704 8141, Fax. +61 2 9704 8139

**Austria:** Computerstr. 6, A-1101 WIEN, P.O. Box 213,  
Tel. +43 1 60 101 1248, Fax. +43 1 60 101 1210

**Belarus:** Hotel Minsk Business Center, Bld. 3, r. 1211, Volodarski Str. 6,  
220050 MINSK, Tel. +375 172 20 0733, Fax. +375 172 20 0773

**Belgium:** see The Netherlands

**Brazil:** see South America

**Bulgaria:** Philips Bulgaria Ltd., Energoproject, 15th floor,  
51 James Bourchier Blvd., 1407 SOFIA,  
Tel. +359 2 68 9211, Fax. +359 2 68 9102

**Canada:** PHILIPS SEMICONDUCTORS/COMPONENTS,  
Tel. +1 800 234 7381, Fax. +1 800 943 0087

**China/Hong Kong:** 501 Hong Kong Industrial Technology Centre,  
72 Tat Chee Avenue, Kowloon Tong, HONG KONG,  
Tel. +852 2319 7888, Fax. +852 2319 7700

**Colombia:** see South America

**Czech Republic:** see Austria

**Denmark:** Sydhavnsgade 23, 1780 COPENHAGEN V,  
Tel. +45 33 29 3333, Fax. +45 33 29 3905

**Finland:** Sinikalliontie 3, FIN-02630 ESPOO,  
Tel. +358 9 615 800, Fax. +358 9 6158 0920

**France:** 51 Rue Carnot, BP317, 92156 SURESNES Cedex,  
Tel. +33 1 4099 6161, Fax. +33 1 4099 6427

**Germany:** Hammerbrookstraße 69, D-20097 HAMBURG,  
Tel. +49 40 2353 60, Fax. +49 40 2353 6300

**Hungary:** see Austria

**India:** Philips INDIA Ltd, Band Box Building, 2nd floor,  
254-D, Dr. Annie Besant Road, Worli, MUMBAI 400 025,  
Tel. +91 22 493 8541, Fax. +91 22 493 0966

**Indonesia:** PT Philips Development Corporation, Semiconductors Division,  
Gedung Philips, Jl. Buncit Raya Kav.99-100, JAKARTA 12510,  
Tel. +62 21 794 0040 ext. 2501, Fax. +62 21 794 0080

**Ireland:** Newstead, Clonskeagh, DUBLIN 14,  
Tel. +353 1 7640 000, Fax. +353 1 7640 200

**Israel:** RAPAC Electronics, 7 Kehilat Saloniki St, PO Box 18053,  
TEL AVIV 61180, Tel. +972 3 645 0444, Fax. +972 3 649 1007

**Italy:** PHILIPS SEMICONDUCTORS, Via Casati, 23 - 20052 MONZA (MI),  
Tel. +39 039 203 6838, Fax +39 039 203 6800

**Japan:** Philips Bldg 13-37, Kohnan 2-chome, Minato-ku,  
TOKYO 108-8507, Tel. +81 3 3740 5130, Fax. +81 3 3740 5057

**Korea:** Philips House, 260-199 Itaewon-dong, Yongsan-ku, SEOUL,  
Tel. +82 2 709 1412, Fax. +82 2 709 1415

**Malaysia:** No. 76 Jalan Universiti, 46200 PETALING JAYA, SELANGOR,  
Tel. +60 3 750 5214, Fax. +60 3 757 4880

**Mexico:** 5900 Gateway East, Suite 200, EL PASO, TEXAS 79905,  
Tel. +9-5 800 234 7381, Fax +9-5 800 943 0087

**Middle East:** see Italy

**Netherlands:** Postbus 90050, 5600 PB EINDHOVEN, Bldg. VB,  
Tel. +31 40 27 82785, Fax. +31 40 27 88399

**New Zealand:** 2 Wagener Place, C.P.O. Box 1041, AUCKLAND,  
Tel. +64 9 849 4160, Fax. +64 9 849 7811

**Norway:** Box 1, Manglerud 0612, OSLO,  
Tel. +47 22 74 8000, Fax. +47 22 74 8341

**Pakistan:** see Singapore

**Philippines:** Philips Semiconductors Philippines Inc.,  
106 Valero St. Salcedo Village, P.O. Box 2108 MCC, MAKATI,  
Metro MANILA, Tel. +63 2 816 6380, Fax. +63 2 817 3474

**Poland:** Al.Jerozolimskie 195 B, 02-222 WARSAW,  
Tel. +48 22 5710 000, Fax. +48 22 5710 001

**Portugal:** see Spain

**Romania:** see Italy

**Russia:** Philips Russia, Ul. Usatcheva 35A, 119048 MOSCOW,  
Tel. +7 095 755 6918, Fax. +7 095 755 6919

**Singapore:** Lorong 1, Toa Payoh, SINGAPORE 319762,  
Tel. +65 350 2538, Fax. +65 251 6500

**Slovakia:** see Austria

**Slovenia:** see Italy

**South Africa:** S.A. PHILIPS Pty Ltd., 195-215 Main Road Martindale,  
2092 JOHANNESBURG, P.O. Box 58088 Newville 2114,  
Tel. +27 11 471 5401, Fax. +27 11 471 5398

**South America:** Al. Vicente Pinzon, 173, 6th floor,  
04547-130 SÃO PAULO, SP, Brazil,  
Tel. +55 11 821 2333, Fax. +55 11 821 2382

**Spain:** Balmes 22, 08007 BARCELONA,  
Tel. +34 93 301 6312, Fax. +34 93 301 4107

**Sweden:** Kottbygatan 7, Akalla, S-16485 STOCKHOLM,  
Tel. +46 8 5985 2000, Fax. +46 8 5985 2745

**Switzerland:** Allmendstrasse 140, CH-8027 ZÜRICH,  
Tel. +41 1 488 2741 Fax. +41 1 488 3263

**Taiwan:** Philips Semiconductors, 6F, No. 96, Chien Kuo N. Rd., Sec. 1,  
TAIPEI, Taiwan Tel. +886 2 2134 2886, Fax. +886 2 2134 2874

**Thailand:** PHILIPS ELECTRONICS (THAILAND) Ltd.,  
209/2 Sanpavuth-Bangna Road Prakanong, BANGKOK 10260,  
Tel. +66 2 745 4090, Fax. +66 2 398 0793

**Turkey:** Yukari Dudullu, Org. San. Blg., 2.Cad. Nr. 28 81260 Umraniye,  
ISTANBUL, Tel. +90 216 522 1500, Fax. +90 216 522 1813

**Ukraine:** PHILIPS UKRAINE, 4 Patrice Lumumba str., Building B, Floor 7,  
252042 KIEV, Tel. +380 44 264 2776, Fax. +380 44 268 0461

**United Kingdom:** Philips Semiconductors Ltd., 276 Bath Road, Hayes,  
MIDDLESEX UB3 5BX, Tel. +44 208 730 5000, Fax. +44 208 754 8421

**United States:** 811 East Arques Avenue, SUNNYVALE, CA 94088-3409,  
Tel. +1 800 234 7381, Fax. +1 800 943 0087

**Uruguay:** see South America

**Vietnam:** see Singapore

**Yugoslavia:** PHILIPS, Trg N. Pasica 5/v, 11000 BEOGRAD,  
Tel. +381 11 62 5344, Fax.+381 11 63 5777

**For all other countries apply to:** Philips Semiconductors,  
International Marketing & Sales Communications, Building BE-p, P.O. Box 218,  
5600 MD EINDHOVEN, The Netherlands, Fax. +31 40 27 24825

**Internet:** <http://www.semiconductors.philips.com>

© Philips Electronics N.V. 1999

SCA 68

All rights are reserved. Reproduction in whole or in part is prohibited without the prior written consent of the copyright owner.

The information presented in this document does not form part of any quotation or contract, is believed to be accurate and reliable and may be changed without notice. No liability will be accepted by the publisher for any consequence of its use. Publication thereof does not convey nor imply any license under patent- or other industrial or intellectual property rights.

Printed in The Netherlands

545004/01/pp24

Date of release: 1999 Oct 05

Document order number: 9397 750 05435

*Let's make things better.*

**Philips**  
Semiconductors



**PHILIPS**