

Multi Standard Feature Phone Integrated Circuit

Description

The U3800BM multi-standard feature phone circuit is designed to be used with a microcontroller using a 2-wire serial bus. It performs all speech and line interface functions required in an electronic telephone set: the ringing function with switching regulator and melody generator, the DTMF dialling, the loudhearing with

antilarsen and antidistortion systems, a power supply, a clock and a reset for the microcontroller. Transmit, receive and loudhearing gains control / AGC range / DTMF frequencies, pre-emphasis and level / melody generator, and mutes are programmable through the serial bus.

Block Diagram

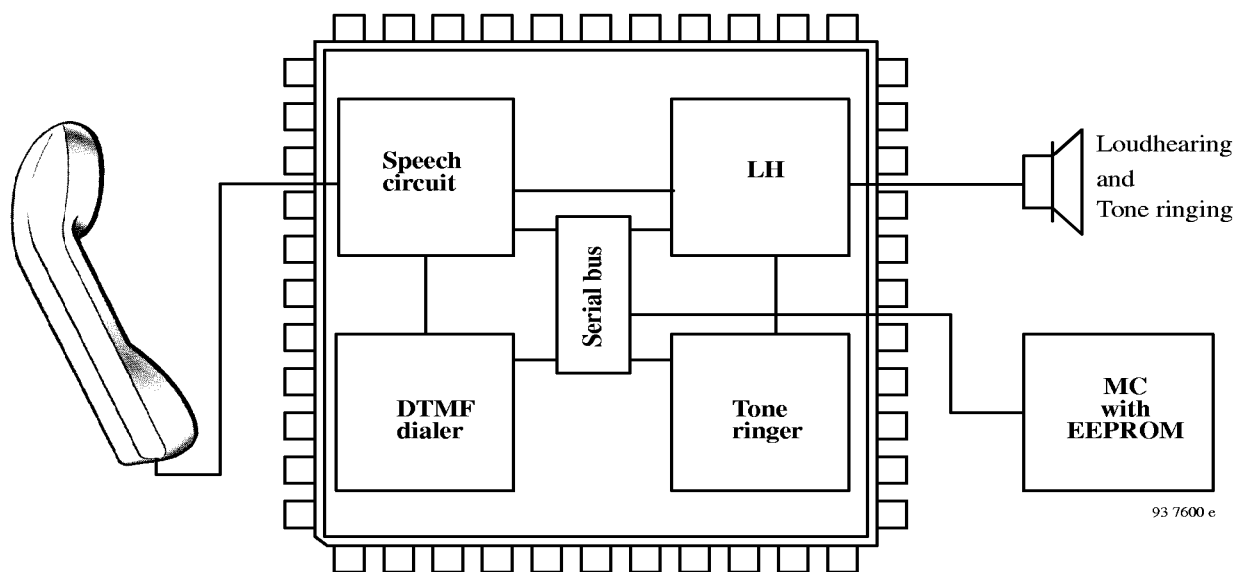


Figure 1.

Applications

- Feature phones
- Answering machines
- Fax machines

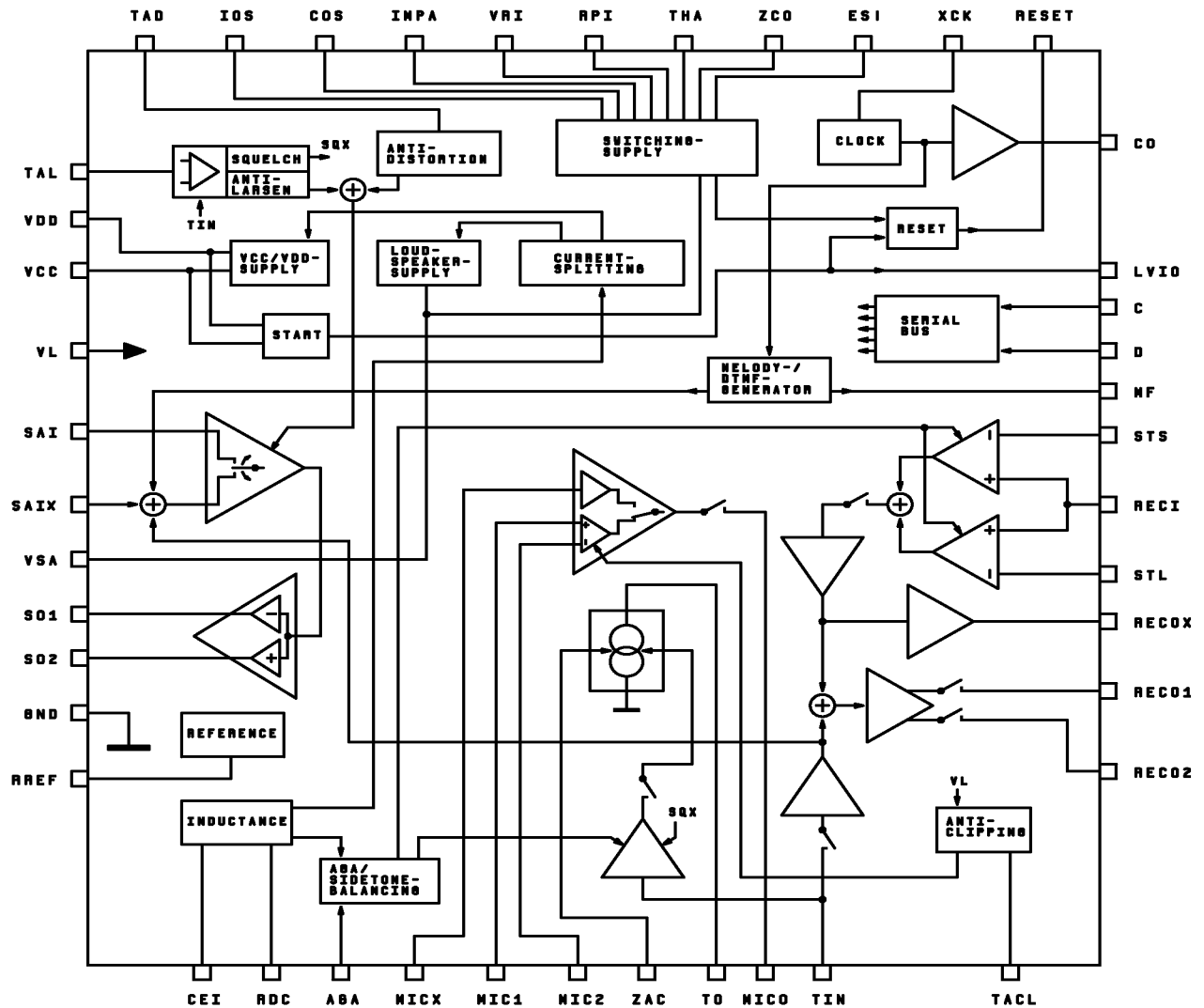
Benefits

- Complete system integration of analog signal processing and digital control circuitry
- One IC for various PTT standards, e.g. programmable specification via μC
- Only three low-cost transducers needed (instead of four)

Features

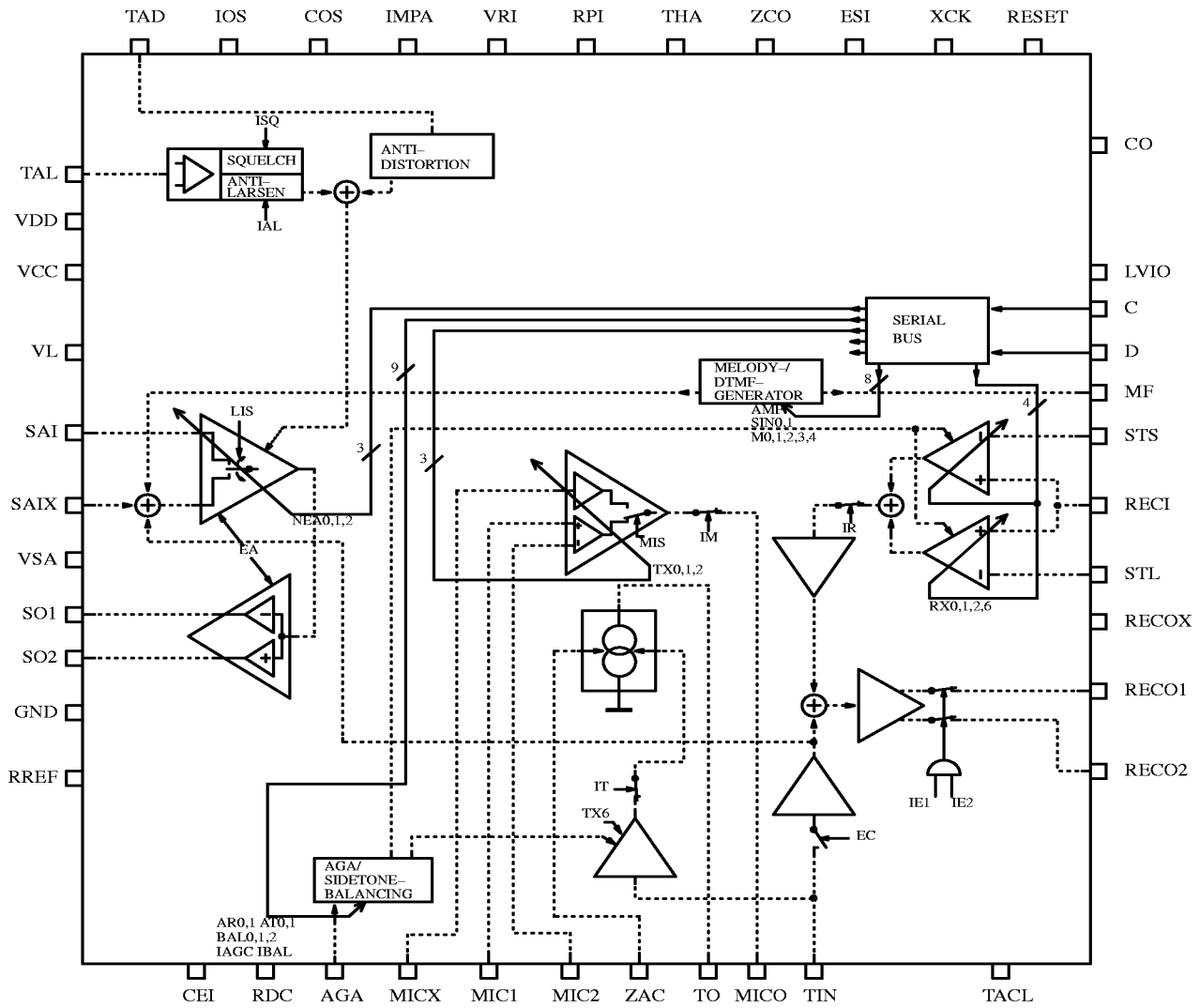
- Slope of DC characteristics adjustable by an external resistor.
- Gain of transmit and receive amplifiers automatically adjusted by line length control
- Regulation range adjustable by the serial bus
- Possibility of fixed gain (PABX)
- Sidetone balancing system adjustable with line length or by the serial bus.
- Dynamic impedance adjustable by external components.
- Stabilized power supply for peripherals.
- Confidence level during dialling.
- +6 dB possibility on second stage transmit gain.
- Transmit and receive gains adjustable by serial bus.
- Extra transmit input for handsfree and answering machine purpose.
- +6 dB possibility on receive gain.
- Receive amplifier for dynamic or piezo-electric earpieces.
- Extra receive output for handsfree purpose.
- High impedance microphone inputs are suitable for dynamic, magnetic, piezo-electric or electret microphone.
- Dynamic range limitation in transmission (anticlipping) prevents distortion of line signal and sidetone.
- Squelch system in transmission prevents “room noise” are being transmitted, and improves antilarsen efficiency (can be inhibited).
- Loudhearing gain programmable in eight steps of 4 dB using the serial bus, or linearly adjusted using a potentiometer.
- Antilarsen system efficiency is increased when inhibiting squelch.
- Loudhearing antidistortion system by automatic gain control versus available current.
- Switching regulator in ringing phase
- Input ringing detection, threshold and impedance adjustable with external resistors.
- Ringing zero crossing information for external microprocessor.
- Ringing programmable gain in eight steps of 4 dB using the serial bus.
- Melody generator, with 30 frequencies in steps of semi tones, driven by serial bus.
- Internal speed-up circuit permits a faster charge of VDD and VCC capacitor.
- DTMF dialer driven by serial bus, in particular level and pre-emphasis adjustment.
- Ability to transmit a confidence tone in speech mode using melody generator frequencies.
- Five independent mutes driven by serial bus (two in transmission, two in reception, one for the transmit / receive loop).
- Standard low cost ceramic 455 kHz / clock output for the microcontroller.

Block Diagram



937601

Figure 2.



----- signal path (analog)
 — control path (digital)

93 7733

Figure 3. Digital adjustment of the analog parameters by the serial bus microprocessor-interface

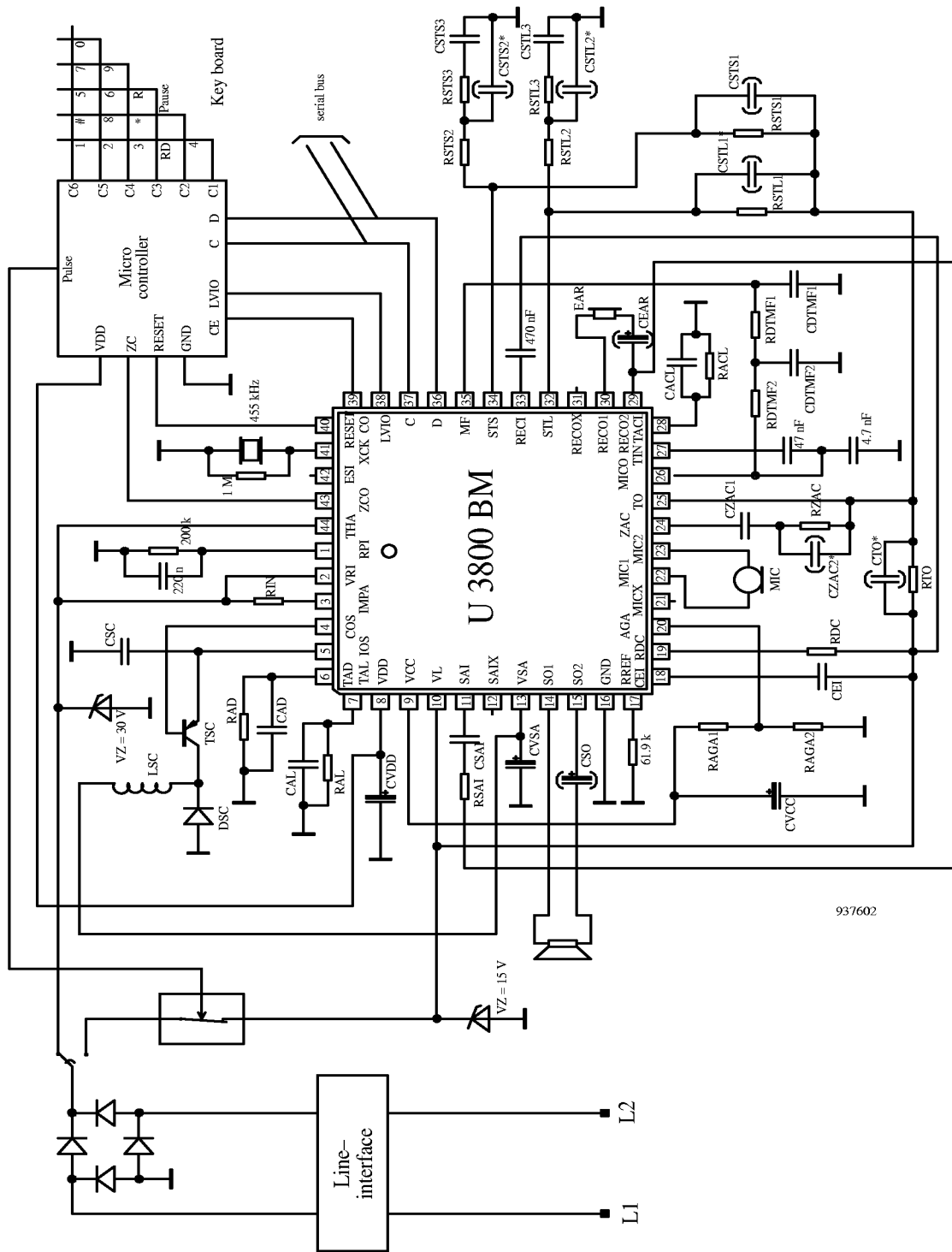


Figure 4. Application for feature phone

Typical Value of External Components

| Components | Min | Typ | Max |
|------------|----------------|----------------|----------------|
| RIN | 0.3 M Ω | 1.0 M Ω | 1.5 M Ω |
| CSC | | 0.1 μ F | |
| TSC | | 2N5401A | |
| LSC | | 1 mH | |
| DSC | | SD103A | |
| RAD | | 100 k Ω | |
| CAD | | 470 nF | |
| CAL | | 470 nF | |
| RAL | | 68 k Ω | 82 k Ω |
| CVDD | | 470 μ F | |
| RSAI | | 20 k Ω | |
| CSAI | | 0.1 μ F | |
| CVSA | | 220 μ F | |
| CSO | | 47 μ F | |
| CVCC | | 100 μ F | |
| RAGA1 | | 100 k Ω | |
| RAGA2 | | 51 k Ω | |
| CEI | | 0.47 μ F | |
| RDC | | 20 k Ω | |
| RTO | | 62 Ω | |
| (CTO | | 0.33 μ F) | |
| CZAC1 | | 0.47 μ F | |
| RZAC | | 12 k Ω | |

| Components | Min | Typ | Max |
|-------------|-----|---------------------|-----|
| (CZAC2 | | 470 pF) | |
| RDTMF1 | | 240 k Ω | |
| RDMTF2 | | 330 k Ω | |
| CDTMF1 | | 4.7 nF | |
| CDTMF2 | | 220 pF | |
| CACL | | 0.47 μ F | |
| RACL | | 6.8 M Ω | |
| CEAR | | 4.7 μ F | |
| Earphone | | \sim 1 k Ω | |
| Loudspeaker | | \sim 100 Ω | |
| RSTL1 | | 6.2 k Ω | |
| (CSTL1 | | 330 pF) | |
| RSTS1 | | 6.2 k Ω | |
| (CSTS1 | | 330 pF) | |
| RSTL2 | | 43 k Ω | |
| RSTS2 | | 18 k Ω | |
| RSTL3 | | 100 k Ω | |
| RSTS3 | | 75 k Ω | |
| CSTL3 | | 10 nF | |
| CSTS3 | | 10 nF | |
| CSTS2 | | 470 pF | |
| CSTL2 | | 1.2 nF | |
| X1 | | CSB455E (Murata) | |

Pin Description

| Pin | Symbol | Function |
|-----|--------|---|
| 1 | RPI | Ringling power information. The RC combination smooths the drive current of the loudspeaker amplifier. |
| 2 | VRI | Tone-ringer supply voltage. The rectified ringing voltage is delivered to VRI and then converted into the lower supply voltage, VSA, by the converter. |
| 3 | IMPA | External adjustment of input ringing impedance. IMPA is adjusted with a resistance between pin 2 and 3. $Z_{IN} = R_{IN}/100$ |
| 4 | COS | Control output switching supply. COS drives the base of the external switching transistor of the converter. |
| 5 | IOS | Current output of switching supply. This output provides a constant current, which supplies the external part of converter. The magnitude of the current depends on the VRI voltage and the value of resistance RIN. |
| 6 | TAD | Adjustment of antidistortion time constant in loudhearing with external RC combination. |
| 7 | TAL | Adjustment of antilarsen time constant in loudhearing with external RC combination. |
| 8 | VDD | External logic supply. |
| 9 | VCC | Power supply for peripherals. VCC and VDD are stabilized supply voltages buffered with external capacitors. They are derived internally from the same voltage source, but are separated from each other by electronic switches. VDD also supplies the digital part of the circuit and is achieved in all three modes: speech mode, ringing mode and operation with external supply. According to the application, peripheral modules are connected to VDD which, in addition to speech mode, must be supplied at least in one of the two other modes. The digital part of circuit and microprocessor must continue operating during line breaks, as they occur during pulse dialing or during flash-signal transmission. Since VDD in this time intervals is fed only from the buffer capacity, the power consumption from VDD must not cause the total voltage dump. VCC supplies no internal parts of circuit and is supplied exclusively in speech mode. External components, which must operate only in this mode, can be connected here. The power is drawn only from the relevant buffer capacitor in the supply intervals during pulse dialing or flash-signal transmission. |
| 10 | VL | Line voltage. |
| 11 | SAI | Speaker amplifier input. The signal coming from the receive part, e.g. from REC01 or RECO2, is fed in here. |
| 12 | SAIX | Speaker amplifier input for special application i.e. answering machine. SAIX is selected via the serial bus. Antidistortion and antilarsen are not effective in this case. |
| 13 | VSA | Supply voltage for the loudhearing amplifier. Stabilized supply voltage buffered with an external capacitor for the loudhearing amplifier and zero crossing detector; additional connection point for an external supply. In speech mode, VSA is supplied by the analog part of the circuit. In this case, the stabilization point is adjusted to the DC line voltage $VSA = VL/1.5$. In ringing mode, and VSA is supplied directly from the converter. The stabilization point is permanently set. The logic supply, VDD, is fed by a switch from VSA. $VSA = 5.2$ V. In the case of an external supply, VSA serves as a point for a current from a power supply. The stabilization point of VSA and supply for the logic correspond to the operation conditions in ringing mode. |
| 14 | SO1 | Loudspeaker output 1. |
| 15 | SO2 | Loudspeaker output 2. Differential output of loudhearing amplifier. The loudspeaker can also be connected asymmetrically to ground or to VSA via a capacitor at one of the two outputs. As a result of this connection there is a bigger output power in reference to low line currents and loudspeakers with low impedance, while the differential connection method results in a higher power output and lower harmonic distortion with medium or high line currents |
| 16 | GND | Ground. |

| Pin | Symbol | Function |
|-----|--------|---|
| 17 | RREF | External reference resistor. Connection for external reference resistor to generate the reference current. All basic currents of the circuit which must satisfy certain absolute accuracy requirements depend on this current. |
| 18 | CEI | Capacitor for electronic inductance. Connection for capacitor of the electronic coil. The circuit contains a first order RC-active low-pass filter. The capacitor is connected externally between CEI and VL. |
| 19 | RDC | DC characteristic slope adjustment. A voltage across resistor RDC is proportional to the dc line voltage. This means the current flow through RDC is also proportional to the line voltage. This current drives the supply currents drawn from VL by the most important loads, and therefore defines the total current consumption of the circuit. Adjustment to the slope characteristic is realized by modification of RDC resistance. |
| 20 | AGA | Line length adjustment. Reference voltage level for AGA. The potential at this point defines the start threshold for the AGA and the automatic balancing in the receive part (both can be switched off by the serial bus). The potential is normally formed between VCC and ground using a voltage divider. When the line voltage exceeds the threshold level, the AGA or balancing becomes effective. |
| 21 | MICX | Asymmetrical microphone input for special applications. The input of the first stage of the transmit amplifier, selected by the serial bus. Anticlippping is not effective at this input. |
| 22 | MIC1 | Inverting input of microphone amplifier. |
| 23 | MIC2 | Noninverting input of microphone amplifier. |
| 24 | ZAC | AC impedance adjustment. Adjustment of the ac circuit impedance to the line by changing of RZAC. |
| 25 | TO | Transmit amplifier output. Transmit amplifier output modulates the current flowing into this output (typically 4.8 mA). |
| 26 | MICO | Microphone amplifier output. Output MICO; open-circuit potential = $2 \cdot V_{be}$ |
| 27 | TIN | Transmit and DTMF input. Input of the second transmit stage. |
| 28 | TACL | Adjustment of anticlippping time constant with external RC combination. Anticlippping controls the transmitter input level to prevent clipping with high signal levels. The dynamic range of the transmit peak limiter is controlled by an internal circuit. |
| 29 | RECO2 | Symmetrical output of receive amplifier. |
| 30 | RECO1 | Symmetrical output of receive amplifier. |
| 31 | RECOX | Receive amplifier output for handsfree and answering machine applications. |
| 32 | STL | Long line sidetone network. |
| 33 | RECI | Receive amplifier input. It is driven by a signal from VL. |
| 34 | STS | Short line sidetone network. |
| 35 | MF | Multifrequency output. Output DTMF signal and confidence tone in pulse-density modulated form. DTMF signal and confidence tone are generated by special generators in the digital part of the circuit. The DTMF signal consists of two weighted and superimposed pulse-density modulated signals, while in the case of confidence tone, a pulse-density modulated signal is superimposed on a high frequency rectangular-pulse signal with pulse duty factor 0.5. The superimposed signals are sent out to MF for further processing. |
| 36 | D | Data input of serial bus (see Pin 37). Serial data input from microprocessor for programming the circuit. |
| 37 | C | Clock line: 2-wire serial bus. This pin is used together with the data input (pin 36) to transfer data from the microprocessor to the circuit. The last 8 bits, consisting of 5 data bits and 3 address bits, are accepted by the circuit if, during the high phase at pin 37, a positive edge on pin 36 takes place. |

| Pin | Symbol | Function |
|-----|--------|---|
| 38 | LVIO | Line voltage information output. State indicator of the line voltage, VL, and the supply voltage, VDD. Indicates to microprocessor whether line voltage VL is present across the circuit and the supply voltage VDD is sufficiently high. If both conditions are fulfilled, LVIO is on high level. |
| 39 | CO | Clock output. Output 455 kHz clock pulse for the microprocessor. The 455 kHz clock signal generated in the circuit is amplified and sent to CO. This signal is delivered to the microprocessor as a clock signal. Various internal signals can be output to CO in test mode. |
| 40 | RESET | Reset signal for periphery. A reset signal (active low) is generated to clear all registers of the circuit. This can be tapped by peripheral modules, particularly by the microprocessor. This pin enables synchronous resetting of the circuit and peripheral modules. |
| 41 | XCK | Clock signal generator. Connector for ceramic resonator (455 kHz). The clock for the digital part of the circuit is generated by a one-pin oscillator, the frequency of which is determined by the ceramic resonator. |
| 42 | ESI | Input for external supply information. Input to indicate the operating state external supply. In the case of VSA supplied by a power supply unit, the supply source is connected directly to ESI. ESI is connected to VSA by an external diode in forward mode. The ESI voltage will be one forward voltage higher than the voltage on VSA. This voltage causes the circuit to be in external supply mode. |
| 43 | ZCO | Zero crossing output in ringing phase. ZCO operates when the ringer voltage, VRI, and the supply voltage, VSA, are sufficiently high. The output voltage ZCO changes state each time the rectified AC signal of THA crosses the ringing detect turn-on and turn-off thresholds, thus providing information on the frequency of the ring signal. Further analysis of the ring frequency is done by the microprocessor. Secondly, this pin is used as an input for switching on the test mode. Therefore, a negative voltage of approximately 1 V must be applied to pin 43. |
| 44 | THA | Ringing detection threshold adjustment. Input amplitude and frequency identification. The rectified ringing voltage is present at this pin. The circuit evaluates the amplitude of the rectified voltage at THA and the supply voltage VSA (pin 13). If both voltages exceed certain thresholds, the signal present at THA is converted to a rectangular-pulse signal and is sent via pin 43 to the microprocessor. If the frequency is in the required range, the microprocessor initiates transmission of the ringing signal. The start threshold can be raised with a resistor connected in series to pin 44. |

Absolute Maximum Ratings

| Parameters | Symbol | Value | Unit |
|------------------------------------|-----------|-------------|--------------------|
| DC calling voltage (pin 2) | VRI | 35 | V |
| DC calling current (pin 2) | IR | 30 | mA |
| Conversation line voltage (pin 10) | V_L | 15 17 | V V pulse 20 ms |
| Conversation line current | I_L | 150 | mA |
| Total power dissipation *) | P_{tot} | 1 | W |
| Operating temperature range | T_{amb} | -25 to +55 | °C |
| Storage temperature range | T_{stg} | -55 to +150 | °C |
| Junction temperature | T_j | 125 | °C |

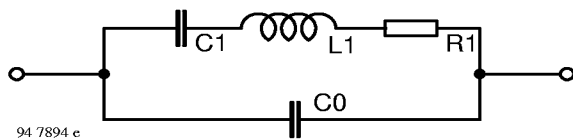
*) Note: Assembly on PC board $\geq 24 \text{ cm}^2$ assumed

Thermal Resistance

| Parameters | Symbol | Value | Unit |
|---------------------|------------|-------|------|
| Junction ambient *) | R_{thJA} | 70 | K/W |

Electrical Characteristics

$I_L = 28 \text{ mA}$, $T_{amb} = 25^\circ\text{C}$, $f = 1 \text{ kHz}$, $R_{DC} = 20 \text{ k}\Omega$, all internal registers cleared, unless otherwise specified



- 455 kHz ceramic resonator: MURATA or equivalent
- Refer to the tests circuits

Figure 5.

Resonance factor $Q_m = 3100$, $L1 = 6.1 \text{ mH}$, $C1 = 21 \text{ pF}$, $C0 = 268.5 \text{ pF}$, $R1 = 5.5 \Omega$ (Schematic above).
All resistances are specified at 1%, all capacitances at 2%.

| Parameters | Test Conditions / Pins | Min. | Typ. | Max. | Unit | Fig. |
|---|---|--------------------|----------------------|--------------------|---------------|------|
| Line voltage | $I_L = 15 \text{ mA}$ $I_L = 28 \text{ mA}$ $I_L = 60 \text{ mA}$ | 4.2 6.7 12.8 | 4.75 7.2 13.45 | 5.2 7.5 14.1 | V | 6 |
| VDD, VCC stabilized power supply | $I_L = 8 \text{ mA}$, $-I_{dd} (\text{ICC}) = 0.6 \text{ mA}$ $I_L = 28 \text{ mA}$, $-I_{dd} (\text{ICC}) = 2.3 \text{ mA}$ | 2.5 3.2 | 2.65 3.45 | 3.6 | V | 6 |
| IDD at VDD = 3.5 V Internal operating supply current | S4 on 3 | | 180 | 210 | μA | 9 |
| Leakage current | | | | 100 | nA | |
| Speed up off threshold VSOFF | See figure 11 $I_{Lmax} = 80 \text{ mA}$ $V_L = 4 \text{ V}$ | 2.45 | 2.65 | 2.8 | V | 7 |
| Speed up on line-current ISON | See figure 14 I_L decreasing $V_{DD} = 2.8 \text{ V}$ | 5.0 | 5.9 | 7.5 | mA | |
| Speed up current | $V_L = 4 \text{ V}$ | 40 | 70 | | mA | 7 |

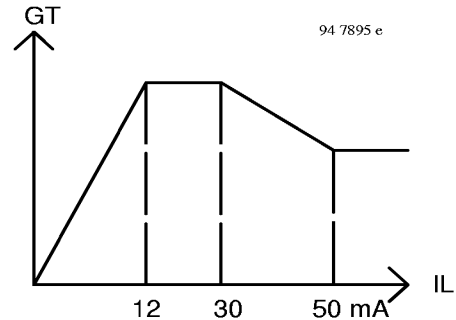
| Parameters | Test Conditions / Pins | Min. | Typ. | Max. | Unit | Fig. |
|---|--|------|------|------|------------|------|
| Transmission | | | | | | |
| Transmit gain (note 1) on MIC1 / MIC2 | $V_{MIC} = 3 \text{ mV}_{rms}$ | | | | | |
| | MIS TX2 TX1 TX0 | | | | | |
| | max. gain | 0 | 1 | 1 | 1 | 47.0 |
| | min. gain | 0 | 0 | 0 | 0 | 39.8 |
| on MICX | $V_{MICX} = 5 \text{ mV}_{rms}$ | | | | | |
| | MIS TX2 TX1 TX0 | | | | | |
| | max. gain | 1 | 1 | 1 | 1 | 42.5 |
| | min. gain | 1 | 0 | 0 | 0 | 35.3 |
| Gain adjustment of microphone amplifier | Gain change between two steps (both on MIC1/MIC2 and on MICX) | 0.8 | 1.0 | 1.2 | dB | 6 |
| Transmit gain without AGC G_T at 28 mA ΔG_T at $I_L = 20$ to 28 mA ΔG_T at $I_L = 28$ to 60 mA | $V_{MIC} = 3 \text{ mV}_{rms}$, Bit AGC=1 | | | | | |
| | TX2 TX1 TX0 | | | | | |
| | | 0 | 1 | 1 | | 42.6 |
| | | 0 | 1 | 1 | | -0.5 |
| | | 0 | 1 | 1 | | -0.5 |
| Gain change between 28 and 60 mA on MIC1 / MIC2 on MICX | $V_{MIC} = 3 \text{ mV}_{rms}$: (MIS = 0) | | AT1 | AT0 | | |
| | | | 0 | 0 | | 3.6 |
| | | | 0 | 1 | | 4.9 |
| | or $V_{MICX} = 5 \text{ mV}_{rms}$ (MIS = 1) | | 1 | 0 | | 6.3 |
| | | 1 | 1 | | 7.7 | 4.1 |
| | | | | | 5.35 | 5.9 |
| | | | | | 6.9 | 7.4 |
| | | | | | 8.2 | 8.7 |
| +6 dB delta transmit gain | $I_L = 28 \text{ mA}$ and 60 mA $V_{MIC} = 1.5 \text{ mV}_{rms}$, Bit TX6 = 1 | 5.4 | 6.0 | 6.5 | dB | 6 |
| Noise at line psophometrically weighted | GT = max. gain | | | | | |
| | $V_{MIC} = 0$ (MIS = 0) ISQ = 0 | | | -79 | -75 | |
| | $V_{MIC} = 0$ (MIS = 0) ISQ = 1 | | | -71 | -68.5 | dBmp |
| | $V_{MICX} = 0$ (MIS = 1) ISQ = 1 | | | | -64 | |
| *Max. gain is without +6 dB function which is especially devoted for DTMF | | | | | | |
| Muted gain on MIC1 / MIC2 on MICX | $V_{MIC} = 3 \text{ mV}_{rms}$ (MIS = 0) or $V_{MIC} = 5 \text{ mV}_{rms}$ (MIS = 1) (at max. and min. gain) | | | | | |
| | Bit IM = 1 | | | | | 65 |
| | Bit IT = 1 | | | | | 45 |
| | $V_{MIC} = 3 \text{ mV}_{rms}$ (MIS = 1) or $V_{MIC} = 5 \text{ mV}_{rms}$ (MIS = 0) | | | | | 60 |
| | | | | | 60 | dB |
| | | | | | dB | |
| Microphone input impedance on MIC1/MIC 2 on MICX | $V_{MIC} = 3 \text{ mV}_{rms}$ (MIS = 0) | 70 | 110 | | k Ω | 6 |
| | $V_{MICX} = 5 \text{ mV}_{rms}$ (MIS = 1) | 35 | 55 | | k Ω | |
| CMRR common mode re-jection ratio | $G_T =$ at maximum gain | | 65 | | dB | 6 |
| Voltage step on pin 26 when going from transmission to mute mode Bit IM from 0 to 1 | $I_L = 28 \text{ mA}$ and 60 mA $V_{MIC} = 0$ (MIS = 0) or $V_{MICX} = 0$ (MIS = 1) At maximum gain | -110 | | +110 | mV | 6 |

- Note 1: transmit gain: $G_T = V_L/V_{MIC}$ on MIC1/MIC2

$G_T = V_L/V_{MIC}$ on MICX with the above values of RAG1 and RAG2

- Note 2: Squelch dynamic range: $\Delta G_T = G_{T0} - G_{T1}$

G_{T0} measured at $V_{MIC} = 1 \text{ mV}_{rms}$
 G_{T1} measured at $V_{MIC} = 160 \mu\text{V}_{rms}$



| Parameters | Test Conditions / Pins | Min. | Typ. | Max. | Unit | Fig. |
|---|--|------|------|------|----------------|------|
| Receive | | | | | | |
| G_R receiving gain $G_R = V_R/V_L$ (for normal output) | $V_{GEN} = 0.3 V_{rms}$ RX2 RX1 RX0 | | | | | |
| | maximum gain | 1 | 1 | 1 | dB | 7 |
| | minimum gain | 0 | 0 | 0 | dB | |
| $\Delta G_R = V_R/V_{E3}$ | $V_{GEN} = 0.3 V_{rms}$ | 14.0 | 15.0 | 16.0 | dB | 7 |
| Gain adjustment at earphone | $I_L = 28 \text{ mA}$ and 60 mA Attenuation between two steps (both on REC01/REC02 and on RECOX) | 0.8 | 1.0 | 1.3 | dB | 7 |
| Receiving gain without AGC $G_R = V_R/V_L$ G_R at 28 mA ΔG_R at $20 \text{ mA} < I_L < 28 \text{ mA}$ ΔG_R at $28 \text{ mA} < I_L < 60 \text{ mA}$ | $V_{GEN} = 0.3 V_{rms}$ Bit: AGC = 1 IBAL = 1 Bits RX2 RX1 RX0 | | | | | |
| | | 1 | 1 | 1 | dB | 7 |
| | | 1 | 1 | 1 | dB | |
| | | 1 | 1 | 1 | dB | |
| ΔG_R receiving gain between 28 and 60 mA on REC01/REC02 and on RECOX | $V_{GEN} = 0.3 V_{rms}$ Bits AR1 AR0 | | | | | |
| | | 0 | 0 | | dB | |
| | | 0 | 1 | | dB | 7 |
| | | 1 | 0 | | dB | |
| | | 1 | 1 | | dB | |
| +6 dB delta receiving gain on REC01/REC02 and on RECOX | $V_{GEN} = 0.3 V_{rms}$, $I_L = 28 \text{ mA}$ and 60 mA (At maximum and minimum gain) Bit RX6 = 1 | 5.6 | 6.1 | 6.7 | dB | 7 |
| Muted gain | $V_{GEN} = 0.3 V_{rms}$ Mute on REC01/REC02 Bit IR=1 Bit IE1 = IE2 = 1 RECOX Bit IR=1 | 65 | | | dB | |
| | | 60 | | | dB | 7 |
| | | 36 | | | dB | |
| Noise at earpiece psophometric weighted | At maximum gain $V_{GEN} = 0 \text{ V}$ | | 150 | 220 | μVp | 7 |
| Receiving distortion | $I_L = 28 \text{ mA}$ and 60 mA max gain, RX6 = 1 $V_R = 5 V_{pp}$ min. gain, RX6 = 0 $V_R = 2 V_{pp}$ | | 1 | 3 | % | 7 |
| Receiver output impedance on REC01/REC02 (pins 29-30) | $V_R = 50 \text{ mV}_{rms}$ | 40 | 65 | 85 | Ω | 7 |

| Parameters | Test Conditions | Min | Typ | Max | Unit | Fig |
|--|--|-------------|------------------------------|-------------------|----------------------------|-----|
| Speaker amplifier | | | | | | |
| VSA shunt regulator power supply (pin 13) in transmission mode | Speaker amplifier without signal EA = 1 IL = 28 mA IL = 60 mA | 4.0 7.85 | 4.3 8.3 | 4.6 8.7 | V V | 8 |
| Loudhearing gain (note3) from SAI/SAIX to SO1, SO2 | $GSA1 = \frac{VSO1 - VSO2}{VSAI}$ EA = 1 $GSA2 = \frac{VSO1 - VSO2}{VSAIX}$ Bits NEA2 NEA1 NEA0 VSAI = VSAIX 1 1 1 VSAI = 3.5 mV _{rms} 0 0 0 VSAI = 88 mV _{rms} | | | | | 8 |
| Loudhearing gain between 28 and 60 mA GSA1 and GSA2 (note 3) | EA = 1 | -0.5 | 0 | 0.5 | dB | 8 |
| Gain adjustment of speaker amplifier | EA = 1 gain change between two steps | 3.8 | 4.0 | 4.2 | dB | 8 |
| Distortion (measured on 100 Ω load) | EA = 1, Bits NEA2 NEA1 NEA0 VSAI 1 1 1 VSAI = 12 mV _{rms} VSAI = 30 mV _{rms} 0 0 0 VSAI = 250 mV _{rms} Bits EA = 1 I _L = 60 mA NEA2 NEA1 NEA0 1 1 1 VSAI = 80 mV _{rms} 0 0 0 VSAI = 250 mV _{rms} | | | 2.0 4.0 1.5 | % % % | 8 |
| Input impedance SAI SAIX | EA = 1 | 4 4 | 7 7 | 10 10 | kΩ | 8 |
| Confidence gain in loudhearing | V _{MIC} = 4 mV $\frac{VSO}{V_{MIC}}$ EA = 1 EC = 1 | 36 | | 40 | dB | 8 |
| Loudhearing input cross talk attenuation | NEA = 7 EA = 1 VSAI = 12 mV _{rms} LIS = 1 VSAIX = 12 mV _{rms} LIS = 0 | 50 45 | | | dB dB | 8 |
| Output power (Note 4, 6) | EA = 1 I _L = 20 mA 100 Ω load EA = 1 I _L = 28 mA 50 Ω load 100 Ω load EA = 1 I _L = 60 mA 50 Ω load 100 Ω load | 3.0 8.0 | 4.5 7 12 100 150 | | mW mW mW mW mW | 8 |
| Output offset (pin 14-15) | LIS = 0, 1 EA = 1 max. and min. gain | -200 | | +200 | mV | 8 |
| Leakage current (pin 6) | EA = 1 | | | 140 | nA | 8 |
| Offset (pin 7) | RAL = 68 kΩ I _L = 28 mA and 60 mA EA = 1 | | | 140 | mV | 6 |
| Antilarsen system CAL = 470 nF, RAL = 68 kΩ | | | | | | |
| Dynamic range attenuation | (note 5) IL = 28 mA and 60 mA EA = 1 VSAI = 6 mV _{rms} Bit ISQ = 0 BIT ISQ = 1 | 5.5 15.0 | 6.0 16.3 | 6.5 17.5 | dB dB | 8 |

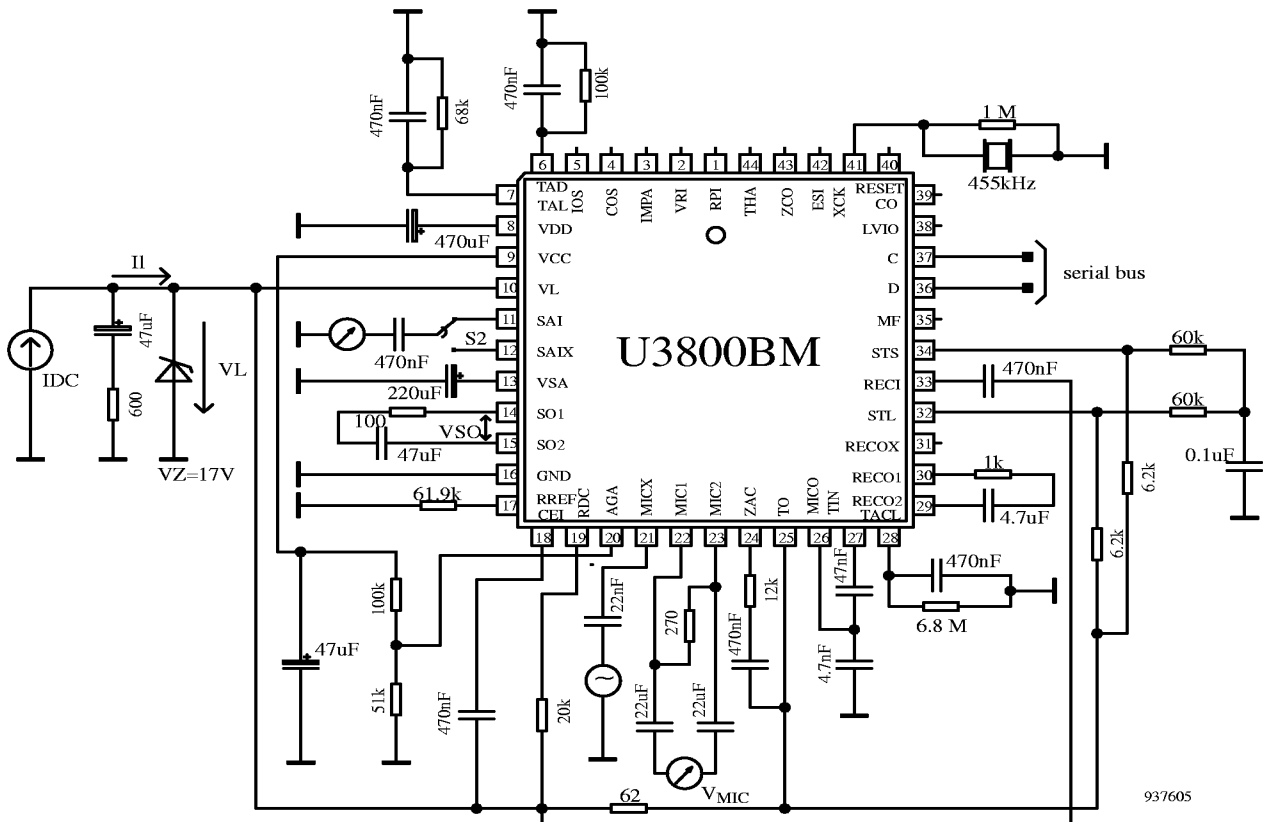


Figure 8. Test circuit

- Note 3: GSA1 measured with S2 on 11
GSA2 measured with S2 on 12 and Bit LIS = 1
- Note 4: With 50 Ω single ended load, it is possible, at low line current, to have power 6 dB higher than with 50 Ω differential load. Un this case antidistortion function is not completely effective.
- Note 5: Antilarsen dynamic range:
 $\Delta GLS = GLSA - GLSB$
 GLSA measured at $V_{MIC} = 160 \mu V_{rms}$
 GLSB measured at $V_{MIC} = 1 mV_{rms}$
- Note 6: The available output current of the speaker amplifier can be increased by reduction of the quiescent current of the receiver output stage (bits IE1, IE2, see "contents of internal registers").

DTMF Dialing

The output pin MF provides the multifrequency signal to be transmitted on line. This signal is the result of the sum of two frequency pulse modulations and requires an

external filter to compose a dual sine wave. The frequencies are chosen in a low group and a high group.

The circuit conforms to the T/CS 46-02 CEPT recommendation concerning DTMF option 1 (-9/-11 dBm) and option 2 (-6/-8 dBm) transmit level 5 (example: in figure 6, option 2 can be fulfilled with 3.5 dB pre-emphasis and 1.5 Vpp low frequency level pin 35).

Two different low levels (with 3 dB difference) and two different pre-emphasis (2.5 and 3.5 dB) can be chosen through the serial bus.

Melody – Confidence Tone

Melody/confidence tone frequencies are given in table 2.

In the state SIN1 = 1, SIN0 = 0, the IC delivers a single pulse density modulated frequency at pin MF (the same behavior as DTMF), denoted as a confidence tone. The confidence tone is sent either to the line or on the earpiece. In the state SIN1 = 0, SIN0 = 1, a square wave is sent to the loudhearing input for ringing melodies.

Table 5. Frequency tolerance of the output tones for DTMF signalling tone output frequency when using 455 kHz

| Standard Frequency Hz | Tone Output Frequency Hz | Frequency Deviation | |
|--------------------------|--------------------------------|---------------------|-------|
| | | % | Hz |
| Low Group | | | |
| 697 | 697.85 | 0.12 | +0.85 |
| 770 | 771.18 | 0.15 | +1.18 |
| 852 | 852.06 | 0.01 | +0.06 |
| 941 | 940.08 | -0.10 | -0.92 |
| High Group | | | |
| 1209 | 1210.1 | 0.09 | +1.1 |
| 1336 | 1338.2 | 0.17 | +2.2 |
| 1477 | 1477.3 | 0.02 | +0.3 |
| 1633 | 1636.7 | 0.22 | +3.7 |

Note: Frequency can be directly measured on CO when S3 is closed (Figure 9)

| AMF | SIN0 | SIN1 | CO |
|-----|------|------|-----------------|
| 1 | 1 | 1 | DTMF : HF |
| 0 | 1 | 1 | DTMF : LF |
| 0 | 1 | 0 | MELODY |
| 0 | 0 | 1 | CONFIDENCE TONE |

| | 1209 | 1336 | 1477 | 1633 |
|-----|------|------|------|------|
| 697 | 1 | 2 | 3 | A |
| 770 | 4 | 5 | 6 | B |
| 852 | 7 | 8 | 9 | C |
| 941 | * | 0 | # | D |

| Standard Frequency Hz | Tone Output Frequency Hz | Frequency Deviation ‰ |
|--------------------------|-----------------------------|--------------------------|
| 440 | 440.04 | 0.09 |
| 466.16 | 466.19 | 0.06 |
| 493.88 | 493.49 | -0.78 |
| 523.25 | 522.99 | -0.50 |
| 554.36 | 554.88 | 0.92 |
| 587.33 | 587.86 | 0.89 |
| 622.25 | 621.58 | -1.07 |
| 659.25 | 659.42 | 0.26 |
| 698.46 | 697.85 | -0.87 |
| 740 | 741.04 | 1.41 |
| 784 | 784.48 | 0.62 |
| 830 | 830.29 | -0.37 |
| 880 | 878.38 | -1.84 |
| 932.3 | 932.38 | 0.08 |
| 987.77 | 989.13 | 1.38 |
| 1046.5 | 1048.39 | 1.80 |
| 1108.73 | 1109.76 | 0.93 |
| 1174.66 | 1172.68 | -1.69 |
| 1244.5 | 1243.17 | -1.07 |
| 1318.5 | 1315.03 | -2.63 |
| 1396.9 | 1395.71 | -0.86 |
| 1480 | 1477.27 | -1.84 |
| 1568 | 1568.97 | 0.62 |
| 1661.2 | 1660.58 | -0.37 |
| 1760 | 1763.57 | 2.03 |
| 1864.65 | 1864.75 | 0.06 |
| 1975.5 | 1978.26 | 1.40 |
| 2093 | 2087.16 | -2.79 |
| 2217.46 | 2208.74 | -3.93 |
| 2349.3 | 2345.36 | -1.68 |

Table 6. Frequency tolerance of the output tone – Tone output frequency when using 455 kHz

| Parameters | Test Conditions | Min | Typ | Max | Unit | Fig. |
|---|---------------------------------|------|------|------|------|------|
| DTMF Generation (specified pin MF) | | | | | | |
| Tone frequency accuracy | See table 1 | | | | | |
| Low group tone level without attenuation | Note 7 BFOA (Pre-emphasis A) | 1.35 | 1.50 | 1.65 | V | 9 |
| | S3 closed BFOB (Pre-emphasis B) | 1.25 | 1.40 | 1.55 | V | |
| High group tone level without attenuation | Note 7 HFOA (Pre-emphasis A) S3 | 1.80 | 2.00 | 2.20 | V | 9 |
| | closed HFOB (Pre-emphasis B) | 1.90 | 2.10 | 2.35 | V | |
| Pre-emphasis A without attenuation | Note 7 PROA S3 closed | 2.04 | 2.54 | 3.04 | dB | 9 |
| Pre-emphasis B without attenuation | Note 7 PROB S3 closed | 3.02 | 3.52 | 4.02 | dB | 9 |
| Low group tone level with attenuation | Note 7 BF1A (Pre-emphasis A) | 0.95 | 1.05 | 1.15 | V | 9 |
| | S3 closed BF1B (Pre-emphasis B) | 0.90 | 1.00 | 1.10 | V | |
| High group tone level with attenuation | Note 7 HF1A (Pre-emphasis A) | 1.25 | 1.40 | 1.55 | V | 9 |
| | S3 closed HF1B (Pre-emphasis B) | 1.35 | 1.50 | 1.65 | V | |
| Pre-emphasis A with attenuation | Note 7 PR1A S3 closed | 2.04 | 2.54 | 3.04 | dB | 9 |
| Pre-emphasis B with attenuation | Note 7 PR1B S3 closed | 3.02 | 3.52 | 4.02 | dB | 9 |

| Parameters | Test Conditions | Min | Typ | Max | Unit | Fig. |
|------------------------------|--|------|------|------|------|------|
| Leakage | S4 = 2 S3 closed Bits SIN1 SIN0 0 0 | -100 | | 100 | nA | 9 |
| Distortion at line | IL = 28 mA M = 8 Key = «3» TX6 = 1 IM = 1 | | 1 | 3 | % | 6 |
| Low group tone level at line | IL = 28 mA and 60 mA M = 8 Key = «3» TX6 = 1 IM = 1 | -10 | -8 | -6 | dBm | 6 |
| Melody generation | | | | | | |
| Tone frequency accuracy | see table 2 | | | | | |
| Confidence tone level | Note: 7 CTL | 2.10 | 2.33 | 2.60 | V | 9 |

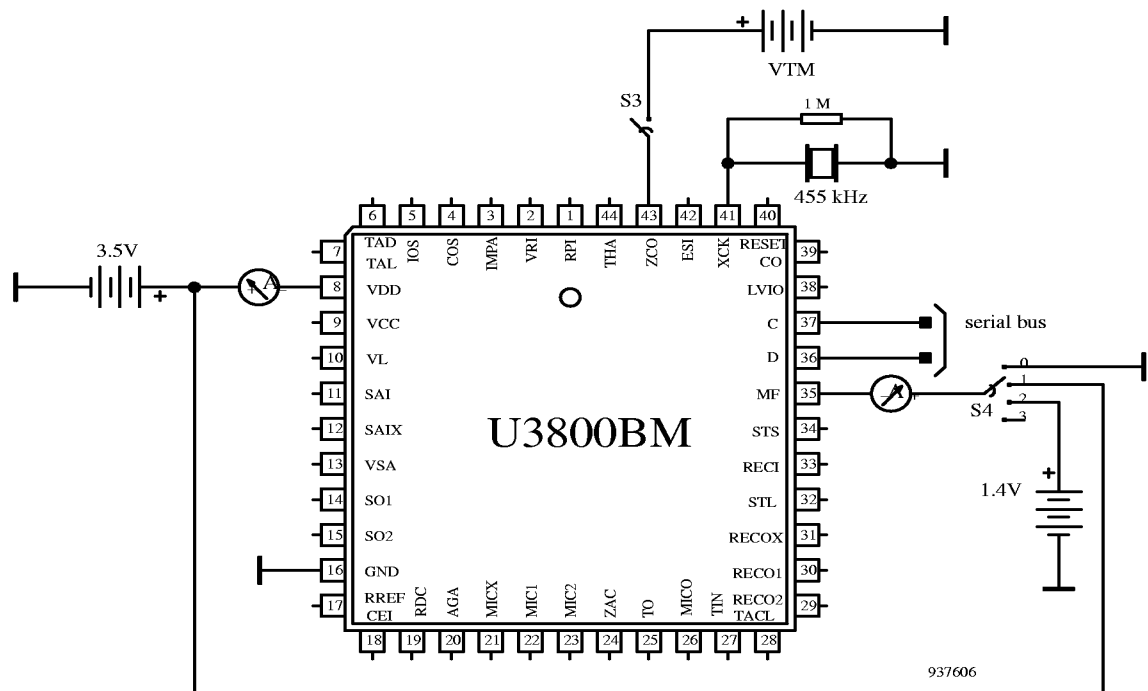


Figure 9. Test circuit

| S4 (Fig. 9) | Internal Registers Set by Serial Bus | | | | Internal Signal Set by Clock Count | | | I measured |
|-------------|---|------|------|----|---------------------------------------|----|------|------------|
| | AMF | SIN1 | SIN0 | M4 | FB | FH | F227 | |
| 0 | 0 | 1 | 1 | 0 | 1 | 0 | X | I1 |
| 0 | 0 | 1 | 1 | 0 | 0 | 1 | X | I2 |
| 0 | 0 | 1 | 1 | 1 | 0 | 1 | X | I3 |
| 0 | 0 | 1 | 0 | 0 | 0 | X | 1 | I4 |
| 0 | 1 | 1 | 1 | X | 0 | 0 | 1 | I5 |
| 1 | 0 | 1 | 1 | 1 | 0 | 1 | X | I6 |
| 1 | 0 | 1 | 1 | 0 | 1 | 0 | X | I7 |
| 1 | 0 | 1 | 1 | 1 | 1 | 0 | X | I8 |
| 1 | 0 | 1 | 0 | X | 1 | X | 0 | I9 |
| 1 | 1 | 1 | 1 | X | 1 | 1 | 0 | I10 |

X: either 1 or 0

Note 7: DTMF calculations

BF level without attenuation with pre-emphasis A:

$$BFOA = \left(\frac{I1}{I1 + I7} + \frac{I6}{I6 + I2} \right) \frac{VDD}{2}$$

BF level without attenuation with pre-emphasis B:

$$BFOB = \left(\frac{I1}{I1 + I8} + \frac{I6}{I6 + I3} \right) \frac{VDD}{2}$$

HF level without attenuation with pre-emphasis A:

$$HFOA = \left(\frac{I2}{I2 + I6} + \frac{I7}{I7 + I1} \right) \frac{VDD}{2}$$

HF level without attenuation with pre-emphasis B:

$$HFOB = \left(\frac{I3}{I3 + I6} + \frac{I8}{I8 + I1} \right) \frac{VDD}{2}$$

Pre-emphasis A without attenuation:

$$PROA = 20 \log \left(\frac{HFOA}{BFOA} \right)$$

Pre-emphasis B without attenuation:

$$PROB = 20 \log \left(\frac{HFOB}{BFOB} \right)$$

BF level with attenuation with pre-emphasis A:

$$BF1A = \left(\frac{I1}{I1 + I7 + I10} + \frac{I6}{I6 + I2 + I5} \right) \frac{VDD}{2}$$

BF level with attenuation with pre-emphasis B:

$$BF1B = \left(\frac{I1}{I1 + I8 + I10} + \frac{I6}{I6 + I3 + I5} \right) \frac{VDD}{2}$$

HF level with attenuation with pre-emphasis A:

$$HF1A = \left(\frac{I2}{I2 + I6 + I10} + \frac{I7}{I7 + I1 + I5} \right) \frac{VDD}{2}$$

HF level with attenuation with pre-emphasis B:

$$HF1B = \left(\frac{I3}{I3 + I6 + I10} + \frac{I8}{I8 + I1 + I5} \right) \frac{VDD}{2}$$

Pre-emphasis A without attenuation:

$$PR1A = 20 \log \left(\frac{HF1A}{BF1A} \right)$$

Pre-emphasis B without attenuation:

$$PR1B = 20 \log \left(\frac{HF1B}{BF1B} \right)$$

Confidence tone level:

$$CTL = \left(\frac{I1}{I1 + I9} + \frac{I6}{I6 + I4} \right) \frac{VDD}{2}$$

| Parameters | Test Conditions | | Min | Typ | Max | Unit | Fig. |
|---|--|--|----------------------|--------------|--------------|--|------|
| Ringer | | | | | | | |
| THA threshold voltage THTV | $V_S = 5\text{ V}$ | S5 on 1 | 8.30 | 8.75 | 9.20 | V | 10 |
| THA hysteresis ΔTH | $V_S = 5\text{ V}$ | S5 on 1 | 435 | 465 | 495 | mV | 10 |
| VSA threshold voltage VSAON (ring detector en- abled) | $V_{\text{THA}} = 12\text{ V}$ | S5 on 1 | 3.0 | 3.2 | 3.4 | V | 10 |
| VSA threshold voltage VSAOFF (ring detector disabled) | $V_{\text{THA}} = 12\text{ V}$ | S5 on 1 | 2.45 | 2.5 | 2.65 | V | 10 |
| Switching supply output current | $V_S = 5\text{ V}$ S7 on 1 RIN = 300 k Ω | $V_{\text{IN}} = 30\text{ V}$ S5 on 1 | 33 | 37 | | mA | 10 |
| Input impedance $V_{\text{IN}}/I_{\text{IN}}$ | S5 on 1 | $V_S = 5\text{ V}$ S7 on 1 Off state $V_{\text{IN}} = 5\text{ V}$ RIN = 300 k Ω On state $V_{\text{IN}} = 30\text{ V}$ RIN = 300 k Ω On state $V_{\text{IN}} = 30\text{ V}$ RIN = 1500 k Ω | 50.0 2.78 13.4 | 2.90 14.1 | 3.05 15.0 | k Ω k Ω k Ω | 10 |
| RPI ringing power information | RIN = 300 k Ω | S7 on 2 $V_{\text{IN}} = 30\text{ V}$ VESI = 0 V S5 on 1 $V_{\text{IN}} = 0\text{ V}$ VESI = 5 V | 1.48 1.57 | 1.55 1.61 | 1.64 1.64 | V V | 10 |
| VSA/VDD switch off VSAOFF1 (measured on VSA) | S8 closed S5 on 1 | IVDD = -1 mA | 5.55 | 5.8 | 6.0 | V | 10 |
| VSA shunt regulator | VSAI VSAH | S5 on 3 ISA = 2 mA ISA = 45 mA | 4.75 5.0 | 5.0 5.3 | 5.15 5.7 | V V | 10 |
| Difference between max. VSA-voltage and cut-off-voltage | VSADIFF = VSAOFF1 - VSAH | | 250 | 500 | | mV | 10 |
| ZCO Zero crossing information | $V_S = 5\text{ V}$ S5 on 1 S6 closed IZCO = 100 μA $V_{\text{THA}} = 7.5\text{ V}$ IZCO = -100 μA $V_{\text{THA}} = 12.0\text{ V}$ | | 4.4 | | 0.5 | V V | 10 |
| Ringer output power (on 100 Ω load) | $V_{\text{IN}} = 30\text{ V}$ S7 on 2 SIN1 SIN0 LIS EA 0 1 1 1 NEA - maximum gain | RIN = 300 k Ω S5 on 2 | 70 | 105 | 130 | mW | 10 |
| Extra ringing attenuation | $V_{\text{IN}} = 30\text{ V}$ S7 on 2 SIN1 SIN0 LIS AMF EA 0 1 1 1 1 NEA - maximum gain | RIN = 300 k Ω S5 on 2 | -12.8 | -12.2 | -11.6 | dB | 10 |

Electrical Characteristics of Logical Part

 $f_{\text{clk}} = 455 \text{ kHz}$, $V_{\text{DD}} = 3.5 \text{ V}$

| Parameters | Test Conditions / Pins | Symbol | Min. | Typ. | Max. | Unit |
|--|--|--------|------|------|------|---------------|
| INPUTS : C, D | Low-voltage input V_{il} | | 2.8 | | 0.7 | V |
| | High-voltage input V_{ih} | | | | | V |
| | Input leakage current I_{i} ($0 < V_{\text{I}} < V_{\text{DD}}$) | | -1 | | 1 | μA |
| Output: RESET, CO, LVIO | Low-voltage output ($I_{\text{ol}} = 100 \mu\text{A}$) V_{ol} | | | | 0.35 | V |
| | High-voltage output ($I_{\text{oh}} = -100 \mu\text{A}$) V_{oh} | | 3.1 | | | V |
| CLOCK: CO (fig. 15) Using reference ceramic resonator | period: t_{cyc} | | 2.19 | 2.20 | 2.21 | μs |
| | High pulse width: t_{wch} | | 1.10 | | 1.45 | μs |
| SERIAL BUS (fig. 19) | Data set-up time t_{sud} | | 0.1 | | | μs |
| | Data hold time t_{hd} | | 0 | | | μs |
| | Clock low time t_{cl} | | 2 | | | μs |
| | Clock high time t_{ch} | | 2 | | | μs |
| | Hold time before transfer condition t_{eon} | | 0.1 | | | μs |
| | Data low pulse on transfer condition t_{eh} | | 0.2 | | | μs |
| | Data high pulse on transfer condition t_{eoff} | | 0.2 | | | μs |
| RESET TIMING (fig. 11, 12, 13) | Clock start-up time t_{on} | | | 3 | 5 | ms |
| | Clock inhibition time t_{off} | | 35.2 | | 75 | μs |
| | Reset time (without t_{on}) t_{r} | | 30.0 | 31.6 | 32 | ms |

U3800BM

Power-on-Reset and Reset Pin

The system (U3800BM + microcontroller) is woken up by an initial condition:

- line voltage (VL)
- ringer (THA)
- external supply (ESI)

To avoid undefined states of the system when it is powered on, an internal reset clears the internal registers, and maintains pin RESET low during trt .

1. Power-on in speed-up condition ($VDD < VSON$)

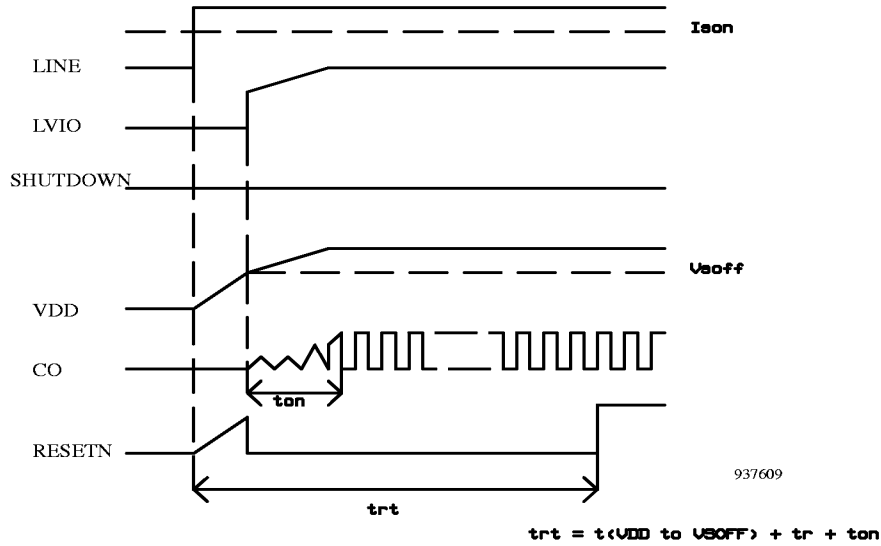


Figure 11.

2. Power-on without speed-up ($VDD > VSON$)

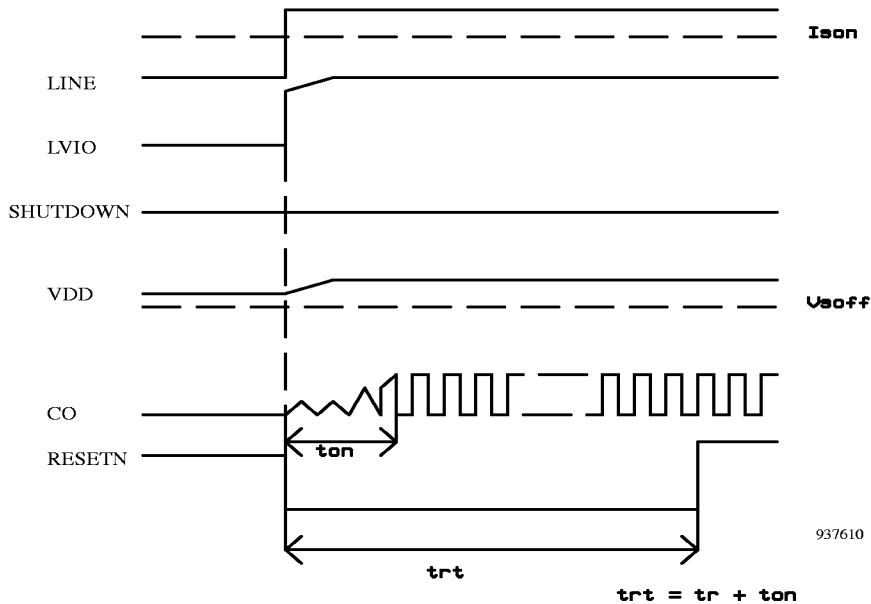


Figure 12.

3. Line break

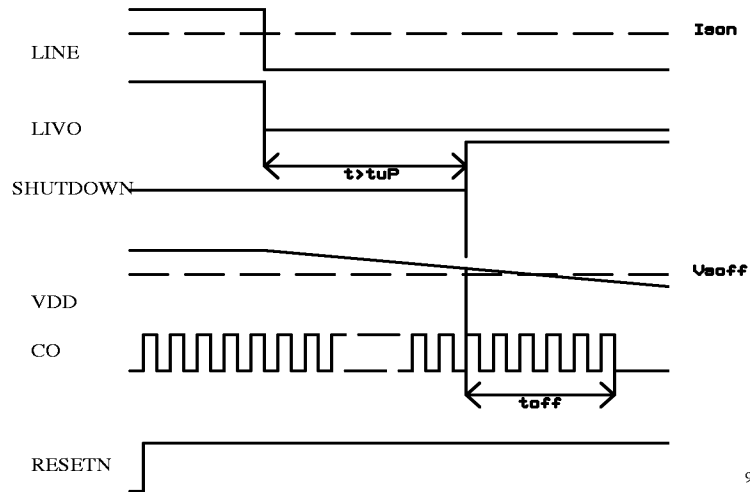


Figure 13.

When the microprocessor detects LIVO low during $t > t_{\mu P}$ (internal microprocessor timing special for line breaks), it forces high the shutdown bit through the serial bus, thus leading the IC, after t_{off} , to go into standby mode

(oscillator stop). Pin RESET remains high.

When the line break is shorter than $t_{\mu P}$, nothing appears.

4. Line current fall

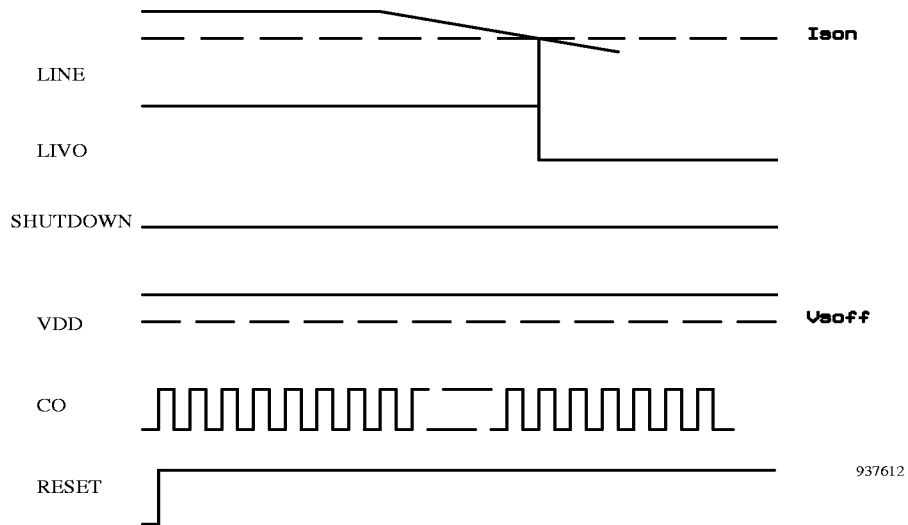


Figure 14.

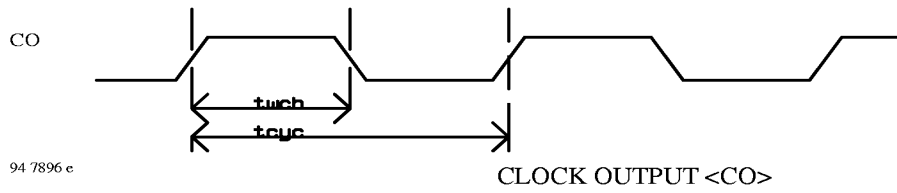


Figure 15.

Serial Bus

The circuit is remoted by an external microcontroller through the serial bus:

The data is an 8-bit word:

B7 – B6 – B5: address of the destination register (0 to 7)

B4 – B0: contents of register

The data line must be stable when the clock is high and data must be serially shifted.

After 8 clock periods, the transfer to the destination register is (internally) generated by a low to high transition of the data line when the clock is high.

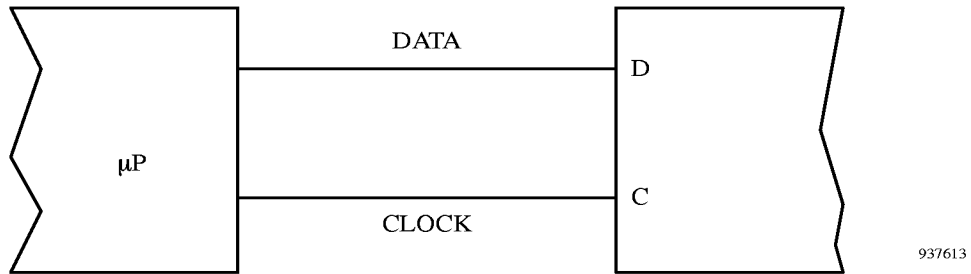


Figure 16.

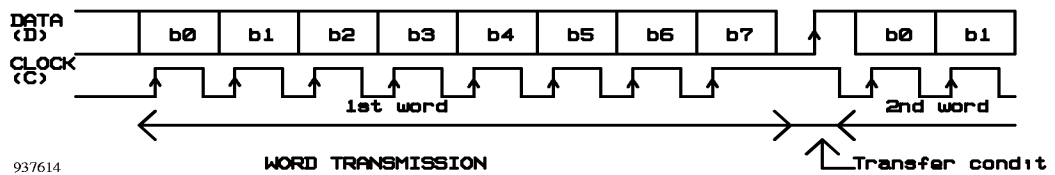


Figure 17.

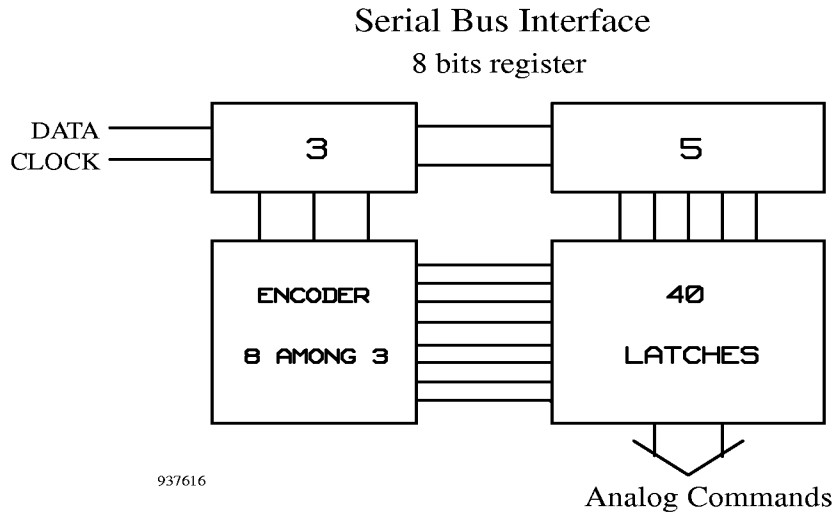


Figure 18.

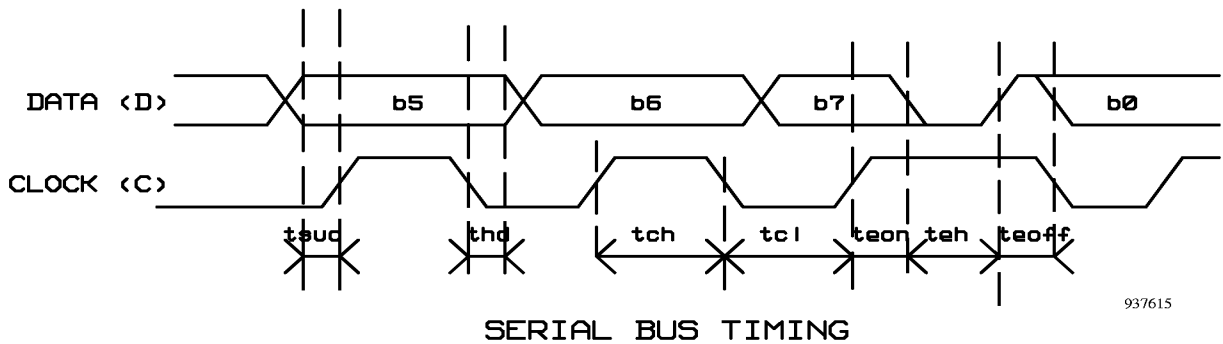


Figure 19.

Content of Internal Registers

0: Transmission mode

| | | | | | |
|-----|-----|-----|-----|-----|--|
| MIS | TX6 | TX2 | TX1 | TX0 | MIS: Microphone input switching TX6: +6dB TX: Transmission gain adjustment |
|-----|-----|-----|-----|-----|--|

1: Reception mode

| | | | | | |
|-----|-----|-----|-----|-----|--|
| LIS | RX6 | RX2 | RX1 | RX0 | LIS: Loudhearing input switching RX6: +6dB RX: Reception gain adjustment |
|-----|-----|-----|-----|-----|--|

2: Loudhearing mode

| | | | | | |
|-----|----|------|------|------|--|
| IAL | EA | NEA2 | NEA1 | NEA0 | IAL: Antilarsen inhibition EA: Loudhearing enable NEA: Loudhearing gain adjustment |
|-----|----|------|------|------|--|

3: AGC mode

| | | | | | |
|------|-----|-----|-----|-----|---|
| IAGC | AR1 | AR0 | AT1 | AT0 | IAGC: AGC inhibition AT: Transmission AGC adjustment AR: Reception AGC adjustment |
|------|-----|-----|-----|-----|---|

4: Sidetone mode

| | | | | | |
|-----|------|------|------|------|--|
| IE2 | IBAL | BAL2 | BAL1 | BAL0 | IE2: Reception output amplifier current adjustment IBAL: Inhibition of automatic sidetone balance |
|-----|------|------|------|------|--|

| BAL | Z | |
|-----|-----|---------------|
| 0 | 1 | STS |
| 1 | 5/6 | STS + 1/6 STL |
| 2 | 2/3 | STS + 1/3 STL |
| 3 | 1/2 | STS + 1/2 STL |
| 4 | 1/2 | STS + 1/2 STL |
| 5 | 1/3 | STS + 2/3 STL |
| 6 | 1/6 | STS + 5/6 STL |
| 7 | | 1 STL |

5: Internal inhibitions

| | | | | | |
|----|----|----|----|-----|---|
| IR | EC | IT | IM | IE1 | IR: Reception inhibition EC: Confidence enable IT: Transmit inhibition IM: Microphone inhibition IE1: Reception output amplifier current adjustment |
|----|----|----|----|-----|---|

| IE1 | IE2 | IREC | |
|-----|-----|------|---------------------|
| 0 | 0 | 3 mA | |
| 0 | 1 | 2 mA | |
| 1 | 0 | 1 mA | |
| 1 | 1 | 0 mA | Earpiece inhibition |

6: Melody / DTMF choice

| | | | | | |
|----|----|----|----|----|--|
| M4 | M3 | M2 | M1 | M0 | |
|----|----|----|----|----|--|

Table 7.

| M | Melody or confidence tone output | | DTMF mode | |
|----|----------------------------------|--------|-----------|--------|
| | | | Key | HF/LF |
| 00 | A3 | 440.0 | <1> | 2.5 dB |
| 01 | A#3 | 466.2 | <4> | " |
| 02 | B3 | 493.5 | <7> | " |
| 03 | C4 | 523.0 | <*> | " |
| 04 | C#4 | 554.9 | <2> | " |
| 05 | D4 | 587.8 | <5> | " |
| 06 | D#4 | 621.6 | <8> | " |
| 07 | E4 | 659.4 | <0> | " |
| 08 | F4 | 697.8 | <3> | " |
| 09 | F#4 | 741.0 | <6> | " |
| 0A | G4 | 784.5 | <9> | " |
| 0B | G#4 | 830.3 | <#> | " |
| 0C | A4 | 878.4 | <A> | " |
| 0D | A#4 | 932.4 | | " |
| 0E | B4 | 989.1 | <C> | " |
| 0F | C5 | 1048.4 | <D> | " |
| 10 | C# | 1109.7 | <1> | 3.5 dB |
| 11 | D5 | 1172.7 | <4> | " |
| 12 | D#5 | 1243.2 | <7> | " |
| 13 | E5 | 1315.0 | <*> | " |
| 14 | F5 | 1395.7 | <2> | " |
| 15 | F#5 | 1477.3 | <5> | " |
| 16 | G5 | 1569.0 | <8> | " |
| 17 | G#5 | 1660.6 | <0> | " |
| 18 | A5 | 1763.6 | <3> | " |
| 19 | A#5 | 1864.7 | <6> | " |
| 1A | B5 | 1978.3 | <9> | " |
| 1B | C6 | 2087.2 | <#> | " |
| 1C | C#6 | 2208.7 | <A> | " |
| 1D | D6 | 2345.4 | | " |
| 1E | | | <C> | " |
| 1F | | | <D> | " |

7: Control register

| AMF | ISQ | SD | SIN1 | SIN0 | |
|-----|-----|----|------|------|--|
| | | | | | AMF: MF output attenuation -3 dB extra ringing attenuation (12 dB) ISQ: Squelch inhibition SD: Shutdown SIN: Generator mode 0: OFF 1: Melody (Ringer) 2: Confidence tone 3: DTMF |

Order Information

| Extended Type Number | Package | Remarks |
|----------------------|---------|---------|
| U3800BM-CP | PLCC44 | |
| U3800BM-FN | SSO44 | |

Ozone Depleting Substances Policy Statement

It is the policy of **TEMIC TELEFUNKEN microelectronic GmbH** to

1. Meet all present and future national and international statutory requirements.
2. Regularly and continuously improve the performance of our products, processes, distribution and operating systems with respect to their impact on the health and safety of our employees and the public, as well as their impact on the environment.

It is particular concern to control or eliminate releases of those substances into the atmosphere which are known as ozone depleting substances (ODSs).

The Montreal Protocol (1987) and its London Amendments (1990) intend to severely restrict the use of ODSs and forbid their use within the next ten years. Various national and international initiatives are pressing for an earlier ban on these substances.

TEMIC TELEFUNKEN microelectronic GmbH semiconductor division has been able to use its policy of continuous improvements to eliminate the use of ODSs listed in the following documents.

1. Annex A, B and list of transitional substances of the Montreal Protocol and the London Amendments respectively
2. Class I and II ozone depleting substances in the Clean Air Act Amendments of 1990 by the Environmental Protection Agency (EPA) in the USA
3. Council Decision 88/540/EEC and 91/690/EEC Annex A, B and C (transitional substances) respectively.

TEMIC can certify that our semiconductors are not manufactured with ozone depleting substances and do not contain such substances.

We reserve the right to make changes to improve technical design and may do so without further notice.

Parameters can vary in different applications. All operating parameters must be validated for each customer application by the customer. Should the buyer use TEMIC products for any unintended or unauthorized application, the buyer shall indemnify TEMIC against all claims, costs, damages, and expenses, arising out of, directly or indirectly, any claim of personal damage, injury or death associated with such unintended or unauthorized use.

TEMIC TELEFUNKEN microelectronic GmbH, P.O.B. 3535, D-74025 Heilbronn, Germany
Telephone: 49 (0)7131 67 2831, Fax number: 49 (0)7131 67 2423