

**FEATURES**

- Wide Temperature Performance at Full 1Watt Load, -40°C to 85°C
- Lead Frame Technology
- CECC00802 Reflow (280°C)
- Dual Isolated Output
- 1kVDC Isolation
- Efficiency to 78%
- Power Density 1.36W/cm<sup>3</sup>
- 5V & 12V Input
- 5V, 9V, 12V and 15V Output
- Footprint Over Pins 1.64cm<sup>2</sup>
- UL 94V-0 Package Material
- No Heatsink Required
- Internal SMD Construction
- Toroidal Magnetics
- Plastic Encapsulated
- MTTF up to 2.1 Million Hours
- Custom Solutions Available
- Multi Layer Ceramic Capacitors
- Lead Free Compatible

**DESCRIPTION**

The NTA series of miniature surface mounted DC-DC Converters employ leadframe technology and transfer moulding techniques to bring all of the benefits of IC style packaging to hybrid circuitry. The devices are fully compatible with CECC00802 to 280°C which allows them to be placed and reflowed with IC's, thus reducing time and cost in production. Co-planarity of the lead positions is based upon IEC 191-6:1990. The devices are suitable for all applications where high volume production is envisaged.

**SELECTION GUIDE**

	Nominal Input Voltage	Output Voltage	Output Current	Input Current at Rated Load	Efficiency	Isolation Capacitance	MTTF <sup>1</sup>
Order Code <sup>5</sup>	(V)	(V)	(mA)	(mA)	(%)	(pF)	kHrs
<b>NTA0312M</b>	3.3	12	±42	390	77	40	375
<b>NTA0315M</b>	3.3	15	±33	392	77	42	206
<b>NTA0505M</b>	5	5	±100	290	69	33	1697
<b>NTA0509M</b>	5	9	±55	267	75	38	682
<b>NTA0512M</b>	5	12	±42	260	77	44	343
<b>NTA0515M</b>	5	15	±33	256	78	43	188
<b>NTA1205M</b>	12	5	±100	121	69	50	559
<b>NTA1209M</b>	12	9	±55	113	74	72	375
<b>NTA1212M</b>	12	12	±42	111	75	89	243
<b>NTA1215M</b>	12	15	±33	110	76	100	154

When operated **with** additional external load capacitance the rise time of the input voltage will determine the maximum external capacitance value for guaranteed start up. The slower the rise time of the input voltage the greater the maximum value of the additional external capacitance for reliable start up.

**INPUT CHARACTERISTICS**

Parameter	Conditions	MIN	TYP	MAX	Units
Voltage Range	Continuous operation, 3V input types	2.97	3.3	3.63	V
	Continuous operation, 5V input types	4.5	5	5.5	
	Continuous operation, 12V input types	10.8	12	13.2	
Reflected Ripple Current			41	47	mA p-p

**OUTPUT CHARACTERISTICS**

Parameter	Conditions	MIN	TYP	MAX	Units
Rated Power <sup>2</sup>	T <sub>A</sub> = -40°C to 85°C			1.0	W
Voltage Set Point Accuracy	See tolerance envelope				
Line regulation	High V <sub>IN</sub> to low V <sub>IN</sub>		1.0	1.2	%/%
Load Regulation <sup>3</sup>	10% load to rated load, 5V output types		10	12	%
	10% load to rated load, 9V output types		6.5	8	
	10% load to rated load, 12V output types		6.0	8.5	
	10% load to rated load, 15V output types		6.0	7.0	
Ripple and Noise	BW=DC to 20MHz, 5V output types		50	100	mV p-p
	BW=DC to 20MHz, 9V output types		35	80	
	BW=DC to 20MHz, 12V output types		50	110	
	BW=DC to 20MHz, 15V output types		65	110	

**ABSOLUTE MAXIMUM RATINGS**

Short circuit duration <sup>4</sup>	1second
Internal power dissipation	550mW
Lead temperature 1.5mm from case for 10 seconds	300°C
Input Voltage V <sub>IN</sub> , NTA03 types	5.5V
Input Voltage V <sub>IN</sub> , NTA05 types	7V
Input voltage V <sub>IN</sub> , NTA12 types	15V

1 Calculated using MIL-HDBK-217F with nominal input voltage at full load.  
 2 See derating curve.  
 3 12V input types have typically 3% less load regulation change.  
 4 Supply voltage must be discontinued at the end of the short circuit duration.  
 5 If components are required in tape and reel format suffix order code with -R, e.g. NTA0505M-R  
 All specifications typical at T<sub>A</sub>=25°C, nominal input voltage and rated output current unless otherwise specified.

# NTA SERIES

## Isolated 1W Dual Output SM DC-DC Converters

### ISOLATION CHARACTERISTICS

Parameter	Conditions	MIN	TYP	MAX	Units
Isolation Test Voltage	Flash tested for 1 second	1000			VDC
Resistance	Viso=1000VDC	10			GΩ

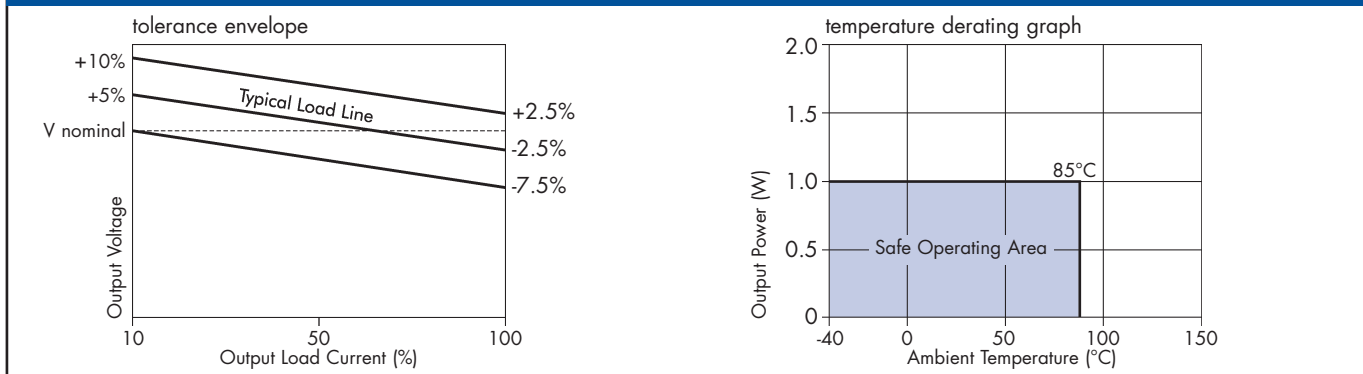
### GENERAL CHARACTERISTICS

Parameter	Conditions	MIN	TYP	MAX	Units
Switching Frequency	3V input types		100		kHz
	5V & 12V input types		115		

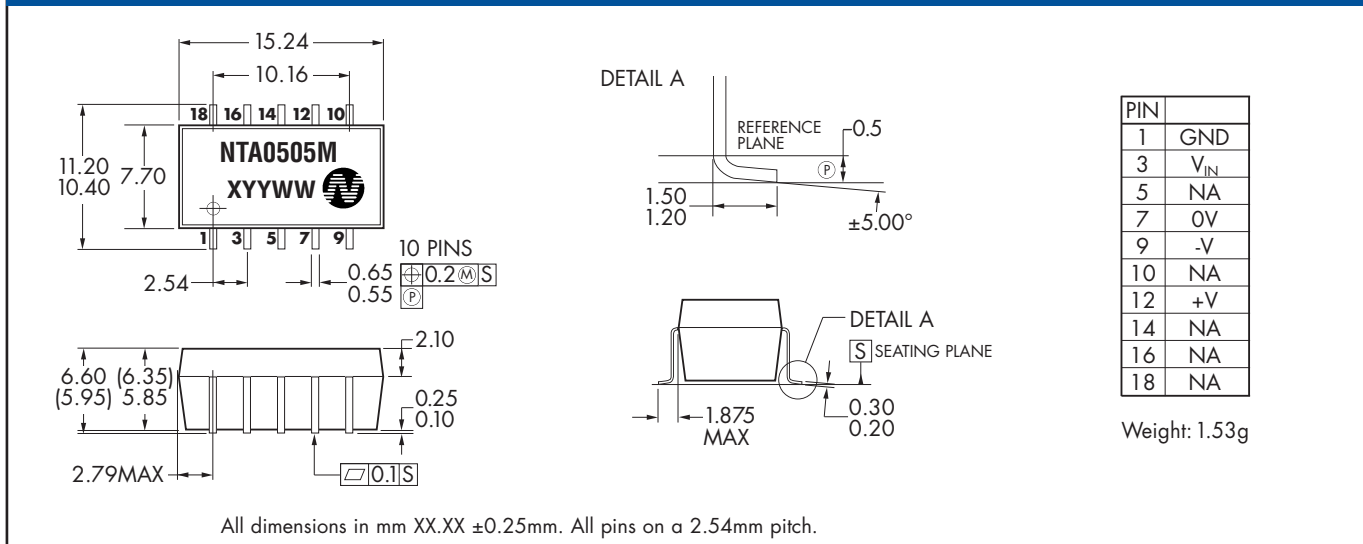
### TEMPERATURE CHARACTERISTICS

Parameter	Conditions	MIN	TYP	MAX	Units
Specification	All output types	-40		85	°C
Storage		-55		125	°C
Case Temperature	NTA312M, NTA315M		19		°C
Case Temperature	5V output types		46		
above ambient	All other output types		35		
Cooling	Free air convection				

### PERFORMANCE CHARACTERISTICS



### MECHANICAL DIMENSIONS



C&D Technologies (NCL) Limited reserve the right to alter or improve the specification, internal design or manufacturing process at any time, without notice. Please check with your supplier or visit our web site to ensure that you have the current and complete specification for your product before use.

© C&D Technologies (NCL) Limited 2003

NDC NTA.3

No part of this publication may be copied, transmitted or stored in a retrieval system or reproduced in any way including, but not limited to, photography, photocopy, magnetic or other recording means, without prior written permission from C&D Technologies (NCL) Limited.

Instructions for use are available from [www.cdpoweronline.com](http://www.cdpoweronline.com)

**C&D Technologies (NCL) Ltd**  
Tanners Drive, Blakelands North  
Milton Keynes MK14 5BU, England  
Tel: +44 (0)1908 615232  
Fax: +44 (0)1908 617545  
email: [info@cdtechno-ncl.com](mailto:info@cdtechno-ncl.com)

[www.cdpoweronline.com](http://www.cdpoweronline.com)

**C&D Technologies Inc.**  
3400 E Britannia Drive, Tucson,  
Arizona 85706, USA  
Tel: +1 (800) 547-2537  
Fax: +1 (520) 741-4598  
email: [sales@cdtechno.com](mailto:sales@cdtechno.com)