

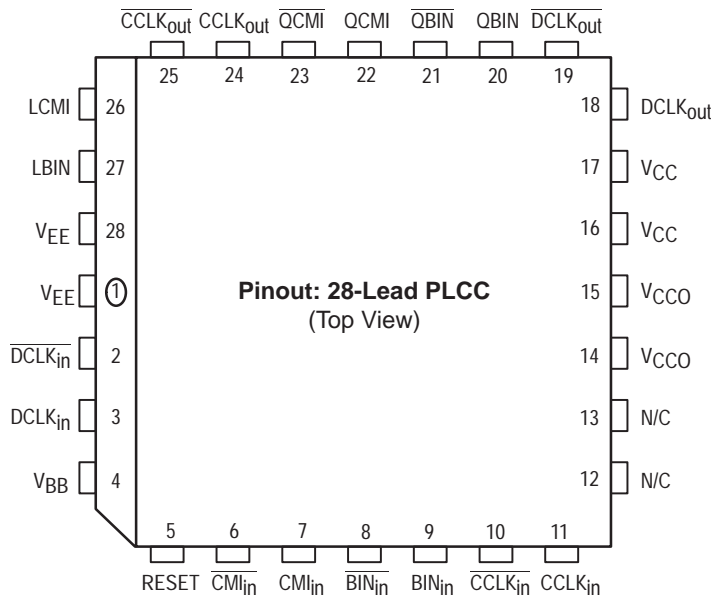
Advance Information CMI Coder/Decoder

The MC100SX1230 device consists of a Binary to CMI Coder and CMI to Binary Decoder with integrated loop back capability. The device is designed for CMI (Code Mark Inversion) interfaces in transmission applications supporting either 139.26 Mbit/s E4 or 155.52 Mbit/s STM1 line rates.

- Binary-to-CMI Coder and CMI-to-Binary Decoder
- Internal Loop Back Test Capability
- Supports SDH or PDH Applications
- Low Power
- Fully Differential 100K Compatible I/O
- V_{BB} Reference Available
- 75k Ω Input Pulldown Resistors
- +5V PECL or -5V ECL Operation
- 28-Pin Surface Mount PLCC Package
- Asynchronous Reset

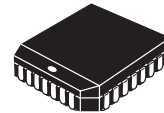
In normal operation, the coder and decoder operate independently. Both the coder and decoder operate from a 2X line rate clock. The device incorporates test circuitry to support loop back bypass so either the coder input can be routed to the decoder output or the decoder input can be routed to the coder output. The part is fabricated using Motorola's proven MOSAIC III™ advanced bipolar process.

The device provides a V_{BB} output for accepting single-ended inputs. The V_{BB} pin should only be used as a bias for the MC100SX1230 as its current sink/source capability is limited. Whenever used, the V_{BB} pin should be bypassed to ground via a 0.01 μ F capacitor.



MC100SX1230

CMI CODER/DECODER



FN SUFFIX
PLASTIC PLCC PACKAGE
CASE 776-02

PIN NAMES

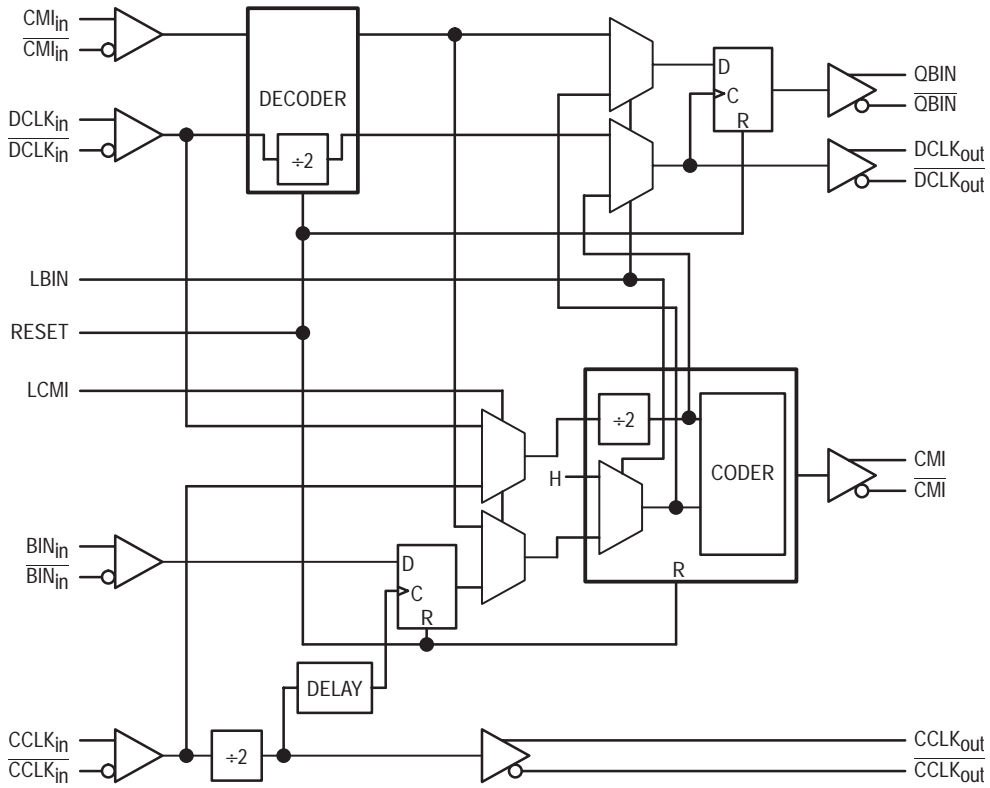
Pins	Function
CMI _{in} , $\overline{\text{CMI}}_{in}$ DCLK _{in} , $\overline{\text{DCLK}}_{in}$ QBIN, $\overline{\text{QBIN}}$ DCLK _{out} , $\overline{\text{DCLK}}_{out}$	CMI Input to Decoder Decoder Clock Input Binary Output From Decoder Decoder Clock Output
BIN _{in} , $\overline{\text{BIN}}_{in}$ CCLK _{in} , $\overline{\text{CCLK}}_{in}$ QCMI, $\overline{\text{QCMI}}$ CCLK _{out} , $\overline{\text{CCLK}}_{out}$	Binary Input to Coder Coder Clock Input CMI Output from Coder Coder Clock Output
RESET LBIN LCMI	Asynchronous Reset Control Input for Binary Loop Back Control Input for CMI Loop Back

MOSAIC III is a trademark of Motorola, Inc.

This document contains information on a new product. Specifications and information herein are subject to change without notice.



BLOCK DIAGRAM



FUNCTION TABLE

RESET	LBIN	LCMI	Function
H	X	X	Reset, All Output Pairs Set to Logic Low State
L	L	L	Independent Coder and Decoder Operation
L	L	H	CMI Input Routed to Coder Output
L	H	L	Binary Input and Clock Routed to Decoder Outputs Alarm Indication Signal Output from Coder
L	H	H	Illegal, Undefined Operation

ABSOLUTE MAXIMUM RATINGS¹

Symbol	Parameter	Value	Unit
V _{EE}	Power Supply (V _{CC} = 0V)	-8 to 0	Vdc
V _I	Input Voltage (V _{CC} = 0V)	0 to -6	Vdc
I _{OUT}	Output Current	50 100	mA
T _A	Operating Temperature Range	0 to +85	°C
V _{EE}	Operating Range ²	-5.7 to 4.2	V

1 Absolute Maximum Ratings are those values beyond which damage to the device may occur. Functional operation should be restricted to the Recommended Operating Conditions.

2 Parametric values specified at: -4.2 to 5.46V

DC CHARACTERISTICS (V_{CC} = V_{CCO} = GND; V_{EE} = -4.2 to 5.46V)

Symbol	Characteristic	0°C			25°C			85°C			Unit	Condition
		Min	Typ	Max	Min	Typ	Max	Min	Typ	Max		
V _{OH}	Output HIGH Voltage	-1025	-955	-880	-1025	-955	-880	-1025	-955	-880	mV	V _{in} = V _{IH(max)} or V _{IL(min)}
V _{OL}	Output LOW Voltage	-1810	-1705	-1620	-1810	-1705	-1620	-1810	-1705	-1620	mV	V _{in} = V _{IH(max)} or V _{IL(min)}
V _{OHA}	Output HIGH Voltage	-1035			-1035			-1035			mV	V _{in} = V _{IH(max)} or V _{IL(min)}
V _{OLA}	Output LOW Voltage			-1610			-1610			-1610	mV	V _{in} = V _{IH(max)} or V _{IL(min)}
V _{IH}	Input HIGH Voltage	-1165		-880	-1165		-880	-1165		-880	mV	
V _{IL}	Input LOW Voltage	-1810		-1475	-1810		-1475	-1810		-1475	mV	
V _{BB}	Reference Voltage	-1380		-1260	-1380		-1260	-1380		-1260	V	
I _{IH}	Input HIGH Current			200			200			200	μA	
I _{IL}	Input LOW Current	0.5			0.5			0.5			μA	
I _{EE}	Supply Current	61		122	61		122	70		141	mA	

1. 100SX circuits are designed to meet the DC specifications shown in the table after thermal equilibrium has been established. The circuit is mounted in a test socket or mounted on a printed circuit board and transverse air greater than 500lfm is maintained.

2. All outputs are loaded with 50Ω to V_{CC} - 2V.

AC CHARACTERISTICS (V_{CC} = V_{CCO} = GND; V_{EE} = -4.2 to 5.46V)

Symbol	Characteristic	0 to 85°C			Unit	Condition	Notes	
		Min	Typ	Max				
F _{max}		700			MHz			
t _{pd}	Propagation Delay	CCLK _{in} to CCLK _{out} CCLK _{in} to QCMI	650 1000		1550 1750	ps	LCMI=LBIN='L'	Add 3 CCLK _{in} -Cycles to Delay
		DCLK _{in} to DCLK _{out} DCLK _{in} to QBIN	550 1000		1700 1800		LCMI=LBIN='L'	Add 4 DCLK _{in} -Cycles to Delay
		CCLK _{in} to DCLK _{out} CCLK _{in} to QBIN	1100		2700		LCMI='L', LBIN='H'	Add 3 CCLK _{in} -Cycles to Delay
		DCLK _{in} to QCMI	800		1700		LCMI='H', LBIN='L'	Add 5 DCLK _{in} -Cycles to Delay
t _s	Setup Time	BIN _{in} to CCLK _{in} CMI _{in} to DCLK _{in}	-375 140			ps		
t _h	Hold Time	CCLK _{in} to BIN _{in} DCLK _{in} to CMI _{in}			1000 120	ps		
V _{PP}	Minimum Input Swing		250			mV		
V _{CMR}	Common Mode Range		-0.4		Note	V		
t _r , t _f	Rise/Fall Times		150		700	ps	20% - 80%	

1. 100SX circuits are designed to meet the AC specifications shown in the table after thermal equilibrium has been established. The circuit is mounted in a test socket or mounted on a printed circuit board and transverse air greater than 500lfm is maintained.

2. The CMR range is referenced to the most positive side of the differential input signal. Normal operation is obtained if the HIGH level falls within the specified range and the peak-to-peak voltage lies between V_{ppmin} and 1V. The lower end of the CMR range is dependent on V_{EE} and is equal to V_{EE} + 3.0V.

Applications Information

CMI Code

The CMI code is a 1B2B code. Each information bit is coded into two transmission bits. A binary 0 is coded to 01, and a binary 1 is coded alternately to a 00 or a 11, thus there is at least one transition during every bit period. A typical data pattern is illustrated in the figure below. Because of the coding, the data stream is not only DC balanced, but it contains a rich clock component which aids the clock recovery process at the receiver. A 2X clock is used by the MC100SX1230 to ensure that the mid-bit transition of the data 0 is ideally centered at the CMI encoded output.

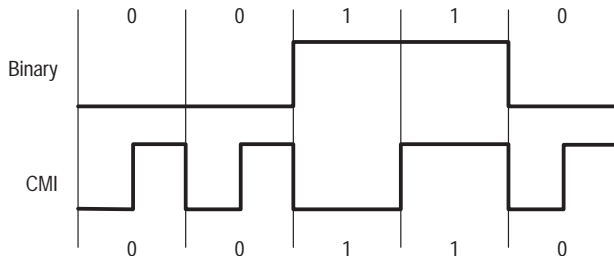


Figure 1. CMI Code

Typical Application

In a traditional telecommunications application, the MC100SX1230 is resident on the line card interface which contains circuitry to implement the line transmitter and receiver functions. On the decoder side, a cable equalization filter followed by a clock recovery/decision circuit are required to compensate for the cable attenuation and distortion, extract the 2X clock signal and re-time the CMI data. On the coder side, a PLL is required to synthesize the 2X coder clock and a conditioning circuit is needed at the output of the coder to generate the appropriate signal to drive the cable.

Device Operation

The circuit contains a complete CMI coder and decoder as well as the support circuitry necessary to perform loop back of either the Binary input or the CMI input. The operation is controlled by the LCMI and LBIN inputs. In addition, the device generates an AIS (Alarm Indication Signal) from the coder output when the binary loop back state is active (LBIN='H'). The AIS signal indicates to the receiver at the

other end of the cable that 'real' data is not being sent. The device contains a Reset input which should normally be reset as part of the powering up sequence.

The coder accepts a differential data input (BIN_{IN}) as well as a differential clock (CCLK_{IN}). The clock signal must be twice the frequency of the input data signal, i.e. a 155 MBit/s binary signal requires a 310 MHz clock, for proper operation. Typical input and output waveforms are shown in Figure 2. The incoming clock signal is divided by 2 and supplied at the coder clock output (CLK_{OUT}). The BIN_{IN} signal is buffered before being driven into the input register which clocks in the binary data. This results in a negative setup time for the coder. The coded data is output from the coder 3 CCLK_{IN} clock cycles plus normal propagation delay after the binary data has been supplied.

The decoder accepts a differential data input (CMI_{IN}) as well as a differential clock (DCLK_{IN}). The clock signal is supplied from the external clock extraction circuit and runs at the coded rate of either 280 MHz or 310 MHz depending on whether the application is for a PDH system or an SDH system. The decoder has a latency of 4 clock cycles so the decoded data is output 4 cycles plus the normal propagation delay after the input data is captured. Figure 3 illustrates the decoder operation.

Under certain conditions, the user may require that the binary data to be coded be routed back to the output of the decoder to verify proper system operation. This is accomplished through the use of the LBIN input control pin. When this signal is asserted (LBIN = 'H'), the BIN_{IN} signal as well as a divided by 2 version of the CCLK_{IN} input is routed to the QBIN and DCLK_{OUT} outputs respectively. The BIN_{IN} to QBIN output has a latency of 3 CCLK_{IN} cycles plus internal propagation delays. In addition, the AIS signal is generated and output from the QCMI output. To the receiver the AIS signal is decoded as a constant logic 'H' signal. This operation is seen in Figure 4.

To complement the binary loop back feature, a CMI loop back function is also supported. This is accomplished by asserting the LCMI input control pin (LCMI = 'H'). Under this condition, the CMI coded input is decoded, then routed through the coder block to the QCMI output. The CMI_{IN} to QCMI output has a latency of 5 DCLK_{IN} cycles plus internal propagation delays. Figure 5 shows the CMI loop back operation.

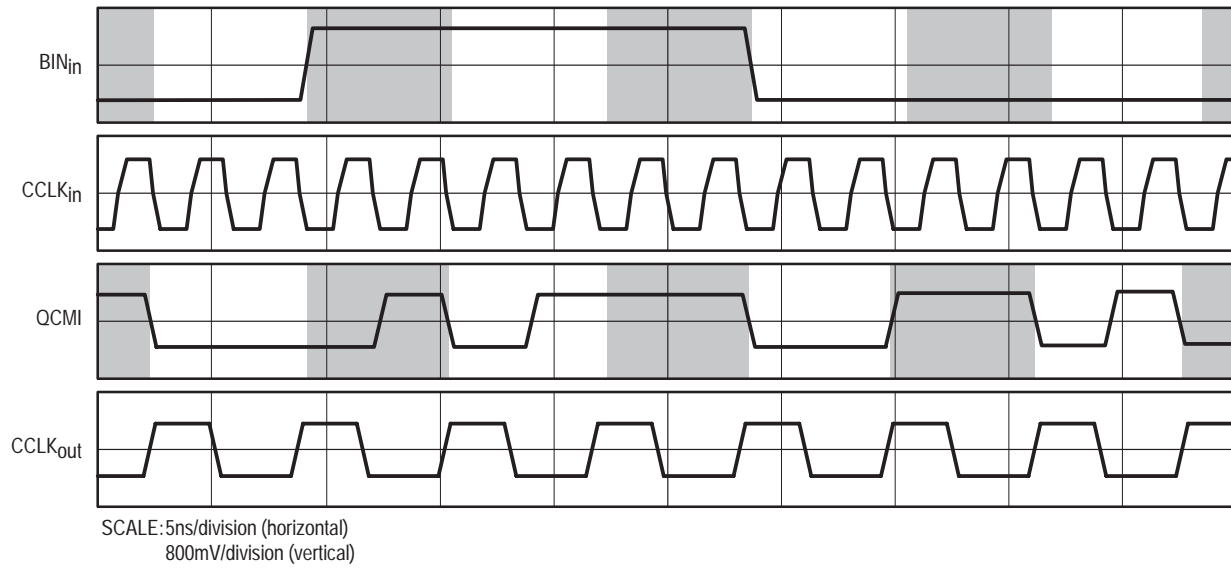


Figure 2. Coder Operation for 155Mbit/s Output Data

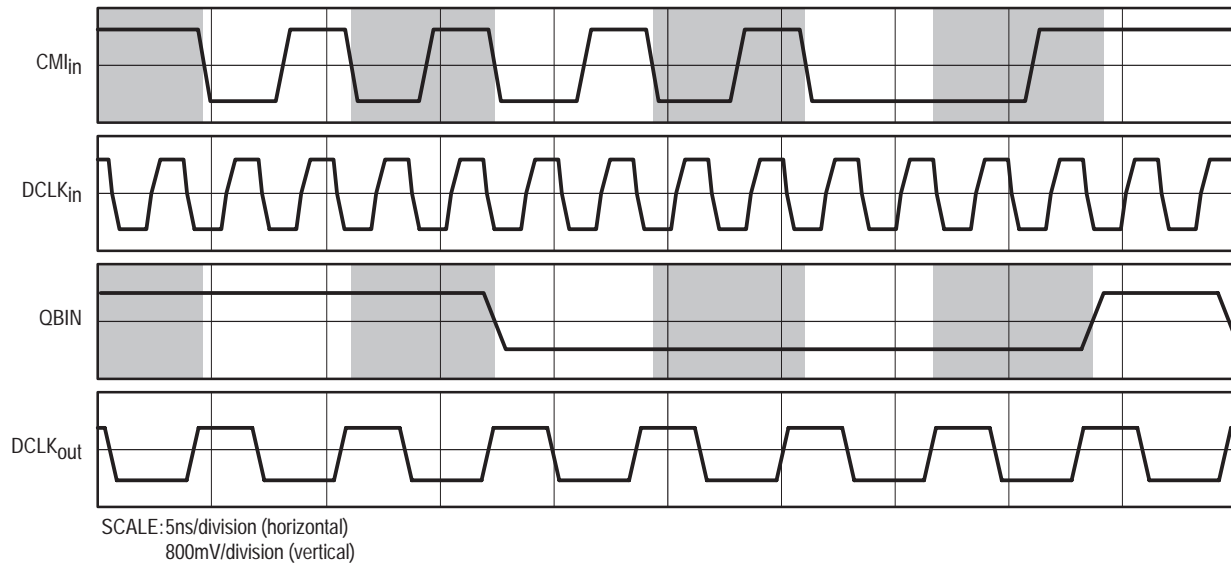


Figure 3. Decoder Operation for 155Mbit Output Data

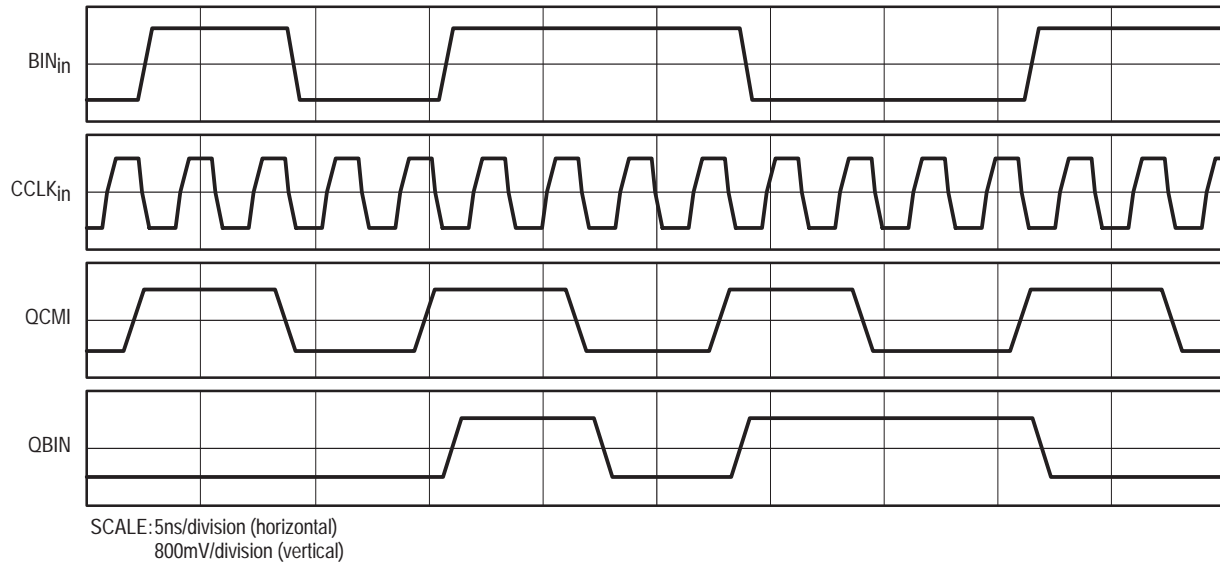


Figure 4. LBIN Active, Alarm Indication Signal Generated on QCMI Output

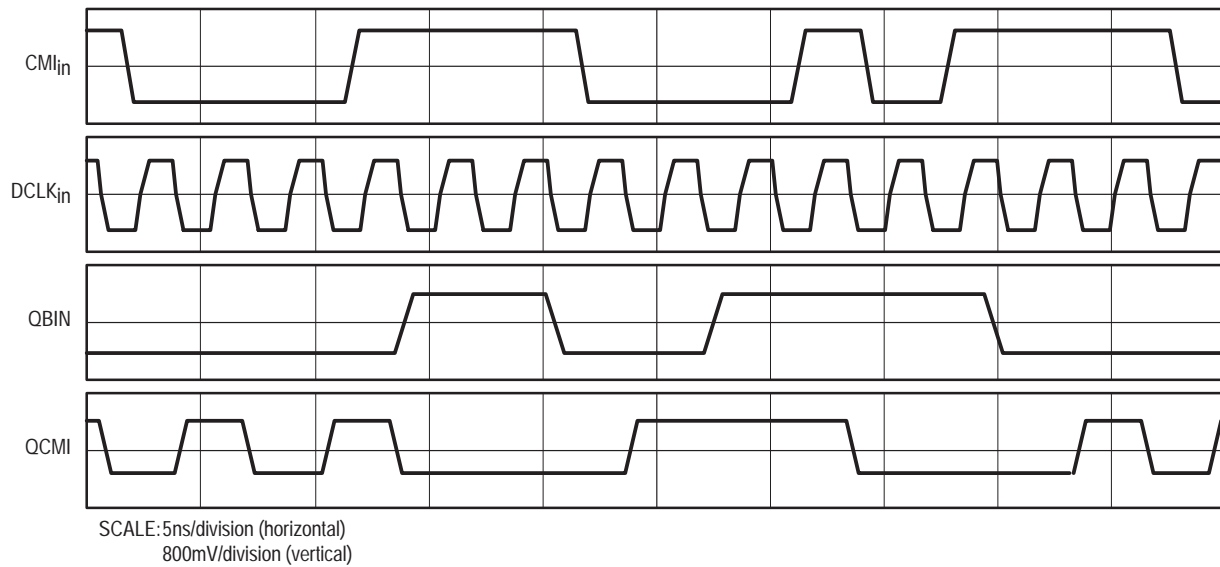
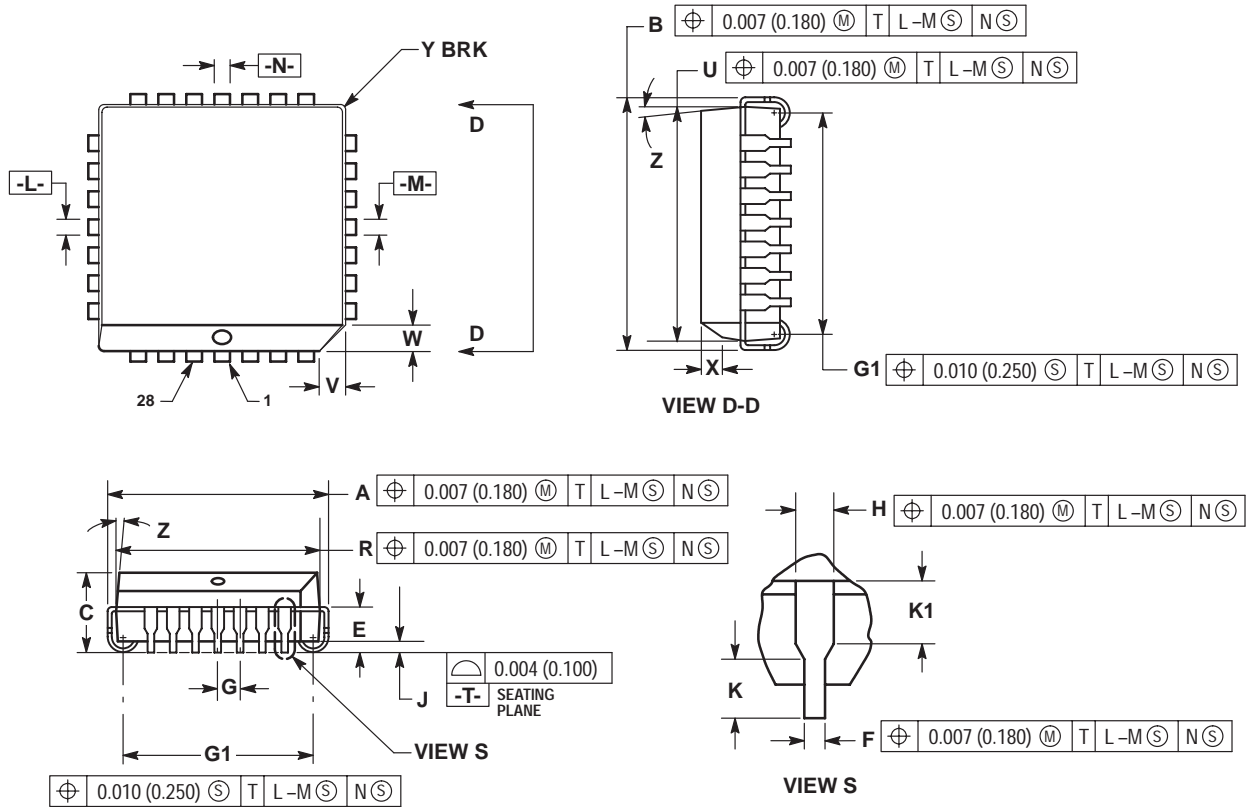


Figure 5. LCMI Active

OUTLINE DIMENSIONS


FN SUFFIX
 PLASTIC PLCC PACKAGE
 CASE 776-02
 ISSUE D



NOTES:

- DATUMS -L-, -M-, AND -N- DETERMINED WHERE TOP OF LEAD SHOULDER EXITS PLASTIC BODY AT MOLD PARTING LINE.
- DIM G1, TRUE POSITION TO BE MEASURED AT DATUM -T-, SEATING PLANE.
- DIM R AND U DO NOT INCLUDE MOLD FLASH. ALLOWABLE MOLD FLASH IS 0.010 (0.250) PER SIDE.
- DIMENSIONING AND TOLERANCING PER ANSI Y14.5M, 1982.
- CONTROLLING DIMENSION: INCH.
- THE PACKAGE TOP MAY BE SMALLER THAN THE PACKAGE BOTTOM BY UP TO 0.012 (0.300). DIMENSIONS R AND U ARE DETERMINED AT THE OUTERMOST EXTREMES OF THE PLASTIC BODY EXCLUSIVE OF MOLD FLASH, TIE BAR BURRS, GATE BURRS AND INTERLEAD FLASH, BUT INCLUDING ANY MISMATCH BETWEEN THE TOP AND BOTTOM OF THE PLASTIC BODY.
- DIMENSION H DOES NOT INCLUDE DAMBAR PROTRUSION OR INTRUSION. THE DAMBAR PROTRUSION(S) SHALL NOT CAUSE THE H DIMENSION TO BE GREATER THAN 0.037 (0.940). THE DAMBAR INTRUSION(S) SHALL NOT CAUSE THE H DIMENSION TO BE SMALLER THAN 0.025 (0.635).

DIM	INCHES		MILLIMETERS	
	MIN	MAX	MIN	MAX
A	0.485	0.495	12.32	12.57
B	0.485	0.495	12.32	12.57
C	0.165	0.180	4.20	4.57
E	0.090	0.110	2.29	2.79
F	0.013	0.019	0.33	0.48
G	0.050 BSC		1.27 BSC	
H	0.026	0.032	0.66	0.81
J	0.020	—	0.51	—
K	0.025	—	0.64	—
R	0.450	0.456	11.43	11.58
U	0.450	0.456	11.43	11.58
V	0.042	0.048	1.07	1.21
W	0.042	0.048	1.07	1.21
X	0.042	0.056	1.07	1.42
Y	—	0.020	—	0.50
Z	2°	10°	2°	10°
G1	0.410	0.430	10.42	10.92
K1	0.040	—	1.02	—

Motorola reserves the right to make changes without further notice to any products herein. Motorola makes no warranty, representation or guarantee regarding the suitability of its products for any particular purpose, nor does Motorola assume any liability arising out of the application or use of any product or circuit, and specifically disclaims any and all liability, including without limitation consequential or incidental damages. "Typical" parameters can and do vary in different applications. All operating parameters, including "Typicals" must be validated for each customer application by customer's technical experts. Motorola does not convey any license under its patent rights nor the rights of others. Motorola products are not designed, intended, or authorized for use as components in systems intended for surgical implant into the body, or other applications intended to support or sustain life, or for any other application in which the failure of the Motorola product could create a situation where personal injury or death may occur. Should Buyer purchase or use Motorola products for any such unintended or unauthorized application, Buyer shall indemnify and hold Motorola and its officers, employees, subsidiaries, affiliates, and distributors harmless against all claims, costs, damages, and expenses, and reasonable attorney fees arising out of, directly or indirectly, any claim of personal injury or death associated with such unintended or unauthorized use, even if such claim alleges that Motorola was negligent regarding the design or manufacture of the part. Motorola and  are registered trademarks of Motorola, Inc. Motorola, Inc. is an Equal Opportunity/Affirmative Action Employer.

Literature Distribution Centers:

USA: Motorola Literature Distribution; P.O. Box 20912; Phoenix, Arizona 85036.

EUROPE: Motorola Ltd.; European Literature Centre; 88 Tanners Drive, Blakelands, Milton Keynes, MK14 5BP, England.

JAPAN: Nippon Motorola Ltd.; 4-32-1, Nishi-Gotanda, Shinagawa-ku, Tokyo 141 Japan.

ASIA-PACIFIC: Motorola Semiconductors H.K. Ltd.; Silicon Harbour Center, No. 2 Dai King Street, Tai Po Industrial Estate, Tai Po, N.T., Hong Kong.



MOTOROLA

◇ CODELINE TO BE PLACED HERE

MC100SX1230/D

