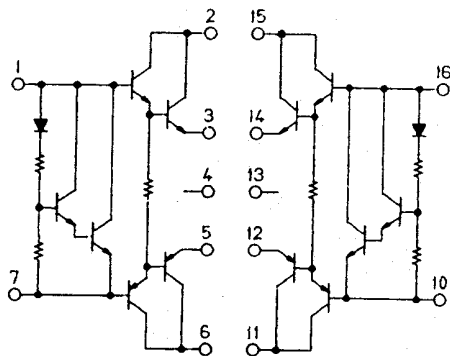


# 2CH PURE COMPLEMENTARY D. P. P. SERIES

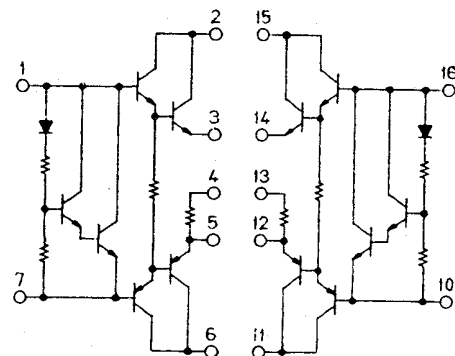
2ch 純コンプリメンタリー ターザンソン パワーストック シリーズ

Type No Series Name	Maximum Rating 最大定格						Recommended Operation 推奨動作	Electrical Characteristics 電気的特性			With Ro Ro 付
	Vcc max	$\theta_{j-c}$	IC max	Tj	Ts	Tstg		Supply Voltage Vcc at RL=8 $\Omega$	Closed Loop Gain	Po max/RL=8 $\Omega$ THD	
シリーズ名	V	$^{\circ}\text{C}/\text{W}$	A	$^{\circ}\text{C}$	sec	$^{\circ}\text{C}$	V	dB	W	%	Ro=0.22 $\Omega$
STK 2030	$\pm 48$	2.1	4	150	2		$\pm 30.0$	40	30	0.01	No
STK 2230	$\pm 48$	2.1	4	150	2	-30	$\pm 30.0$	40	30	0.01	Yes
STK 2040	$\pm 54$	1.8	5	150	2	~	$\pm 33.5$	40	40	0.01	No
STK 2240	$\pm 54$	1.8	5	150	2	+105	$\pm 33.5$	40	40	0.01	Yes
STK 2050	$\pm 59$	1.8	5	150	2		$\pm 37.0$	40	50	0.01	No
STK 2250	$\pm 59$	1.8	5	150	2		$\pm 37.0$	40	50	0.01	Yes

## ■ EQUIVALENT CIRCUIT



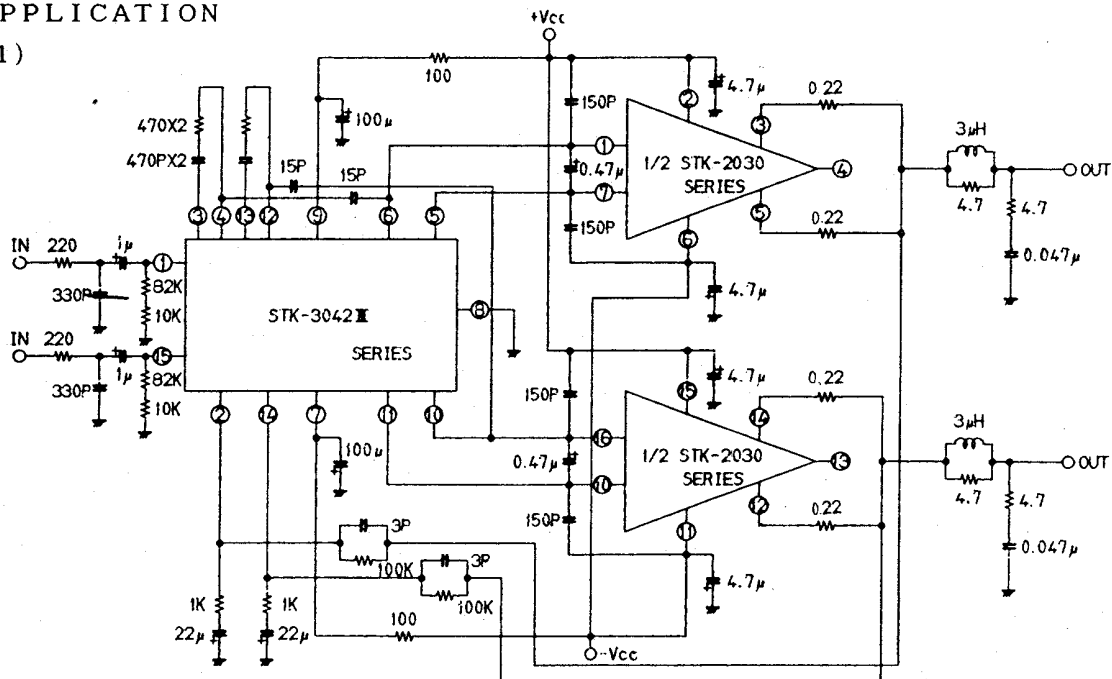
( STK2030, 2040, 2050 )



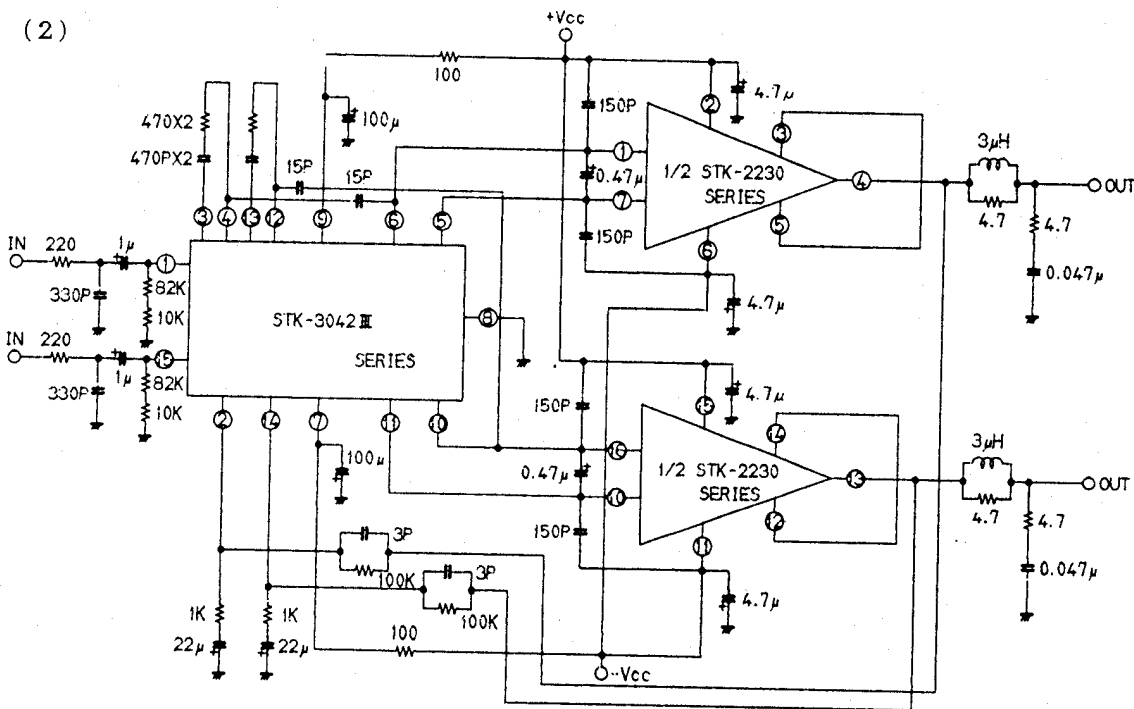
( STK2230, 2240, 2250 )

## ■ APPLICATION

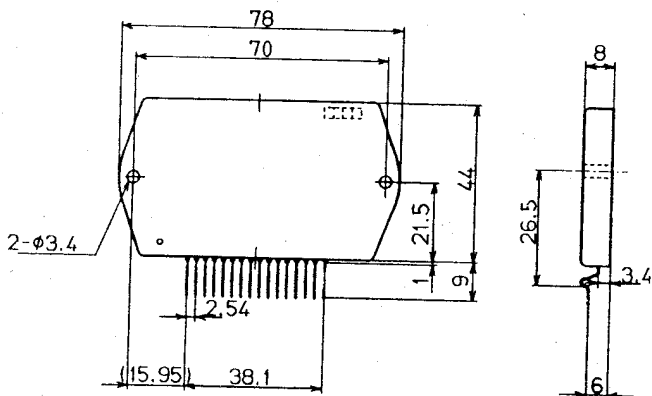
(1)



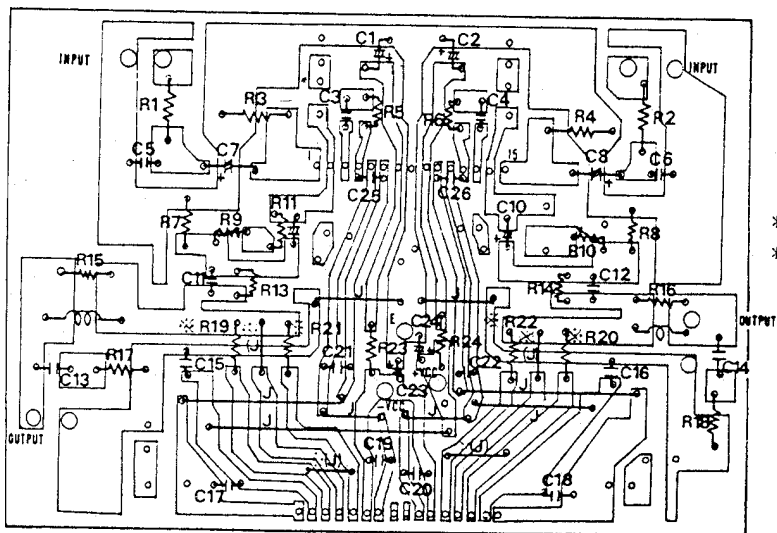
(2)



■ PACKAGE DIMENSION



■ BACK VIEW



- R1,R2 220 Ω
- R3,R4 33K Ω
- R5,R6 470 Ω
- R7,R8 3.3KΩ
- R9,R10 20KB
- R11,R12 22K Ω
- R13,R14 68K Ω
- R15,R16 4.7 Ω
- R17,R18 4.7 Ω(2W)
- \* R19,R20 0.22Ω
- \* R21,R22 0.22Ω
- R23,R24 100 Ω(2W)
- C1,C2 47 μ
- C3,C4 68P
- C5,C6 330P
- C7,C8 1 μ
- C9,C10 1 μ
- C11,C12 7P
- C13,C14 0.47 μ(mylar)
- C15,C16 1 μ(with both channels driven)
- C17,C18 150P
- C21,C22 0.47 μ(mylar)
- C23,C24 4.7 μ
- C25,C26 15P

Coil: 3 μH

	* R19,R20 R21,R22	*(J)
STK2230 STK2240	without	with
STK2030 STK2040	with	without