

NEC**MOS INTEGRATED CIRCUITS** **μ PD789101, 789102, 789104****8-BIT SINGLE-CHIP MICROCONTROLLER**

The μ PD789101, μ PD789102, and μ PD789104 are μ PD789104 sub-series products of the 78K/0S series.

These microcontrollers feature an 8-bit CPU, I/O ports, timers, a serial interface, A/D converters, and interrupt control circuits.

In addition, a flash memory product (μ PD78F9116) that can operate within the same voltage range as the mask ROM models, and a range of related development tools are being developed.

The functions of these microcontrollers are described in the following user's manual. Refer to this manual when designing a system based on any of these microcontrollers.

μ PD789134 Sub-Series User's Manual : To be created

78K/0S Series User's Manual, Instruction : U11047E

FEATURES

- Built-in two 8-bit multipliers: 16 bits
- ROM and RAM sizes

Item Product name	Program memory (ROM)	Data memory (Internal high-speed RAM)	Package
μ PD789101	2 Kbytes	256 bytes	28-pin plastic shrink DIP (400 mil)
μ PD789102	4 Kbytes		30-pin plastic shrink SOP (300 mil)
μ PD789104	8 Kbytes		

- Variable minimum instruction execution time: From high-speed (0.4 μ s) to low-speed (1.6 μ s) (operation with the main system clock running at 5.0 MHz)
- 20 I/O ports
- Serial interface channel: Switchable between three-wire serial I/O and UART modes
- Four-channel A/D converters with an 8-bit resolution
- Three timers:
 - 16-bit timer 20
 - 8-bit timer/event counter 80
 - Watchdog timer
- Power supply voltage V_{DD} : 1.8 to 5.5 V

APPLICATIONS

Cleaners, washing machines, and refrigerators

The information contained in this document is being issued in advance of the production cycle for the device. The parameters for the device may change before final production or NEC Corporation, at its own discretion, may withdraw the device prior to its production.

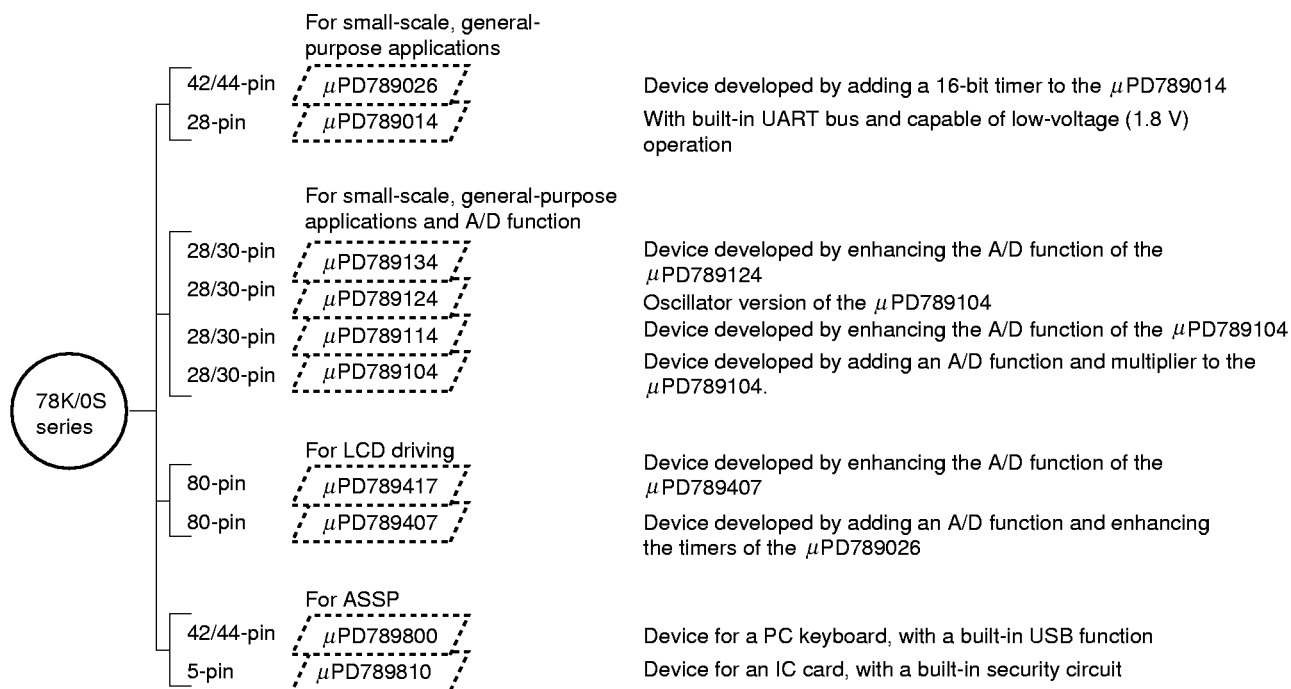
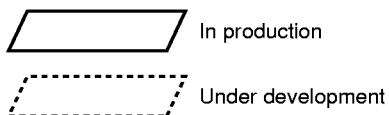
ORDERING INFORMATION

Part number	Package
μ PD789101CT-xxx	28-pin plastic shrink DIP (400 mil)
μ PD789101GS-xxx	30-pin plastic shrink SOP (300 mil)
μ PD789102CT-xxx	28-pin plastic shrink DIP (400 mil)
μ PD789102GS-xxx	30-pin plastic shrink SOP (300 mil)
μ PD789104CT-xxx	28-pin plastic shrink DIP (400 mil)
μ PD789104GS-xxx	30-pin plastic shrink SOP (300 mil)

Remark xxx indicates the ROM code number.

78K/0S SERIES DEVELOPMENT

The 78K/0S series products are shown below. The sub-series names are indicated in frames.



The following table lists the major differences in functions between the sub-series.

Sub-series	Function	ROM size	Timer				8-bit A/D	10-bit A/D	Serial interface	I/O	Minimum V _{DD} value	Remarks
			8-bit	16-bit	Clock	WDT						
Small-scale general purpose	μPD789026	4 K-16 K	1 ch	1 ch	-	1 ch	-	-	1 ch (UART: 1 ch)	34 pins	1.8 V	-
	μPD789014	2 K-4 K	2 ch	-				22 pins				
Small-scale, general-purpose applications and A/D function	μPD789134	2 K-8 K	1 ch	1 ch	-	1 ch	-	4 ch	1 ch (UART: 1 ch)	20 pins	1.8 V	RC-oscillator version
	μPD789124						4 ch	-				
	μPD789114						-	4 ch				
	μPD789104						4 ch	-				
LCD driving	μPD789417	12 K-24 K	3 ch	1 ch	1 ch	1 ch	-	7 ch	1 ch (UART: 1 ch)	43 pins	1.8 V	-
	μPD789407						7 ch	-				
ASSP	μPD789800	8 K	2 ch	-	-	1 ch	-	-	2 ch (USB: 1 ch)	31 pins	4.0 V	-
	μPD789810	6 K	-					-	1 pin	1.8 V		

FUNCTIONS

Item		μPD789101	μPD789102	μPD789104
Built-in memory	ROM	2 Kbytes	4 Kbytes	8 Kbytes
	High-speed RAM	256 bytes		
Minimum instruction execution time		0.4/1.6 μs (operation with main system clock running at 5.0 MHz)		
General-purpose registers		8 bits × 8 registers		
Instruction set		<ul style="list-style-type: none"> • 16-bit operations • Bit manipulations (such as set, reset, and test) 		
Multiplier		8 bits × 2 = 16 bits		
I/O ports		Total of 20 port pins <hr style="width: 60%; margin-left: 0;"/> <ul style="list-style-type: none"> • 4 CMOS input pins • 12 CMOS input/output pins • 4 N-channel open-drain pins (withstand voltage of 12 V) 		
A/D converters		Four channels with 8-bit resolution		
Serial interface		<ul style="list-style-type: none"> • Switchable between three-wire serial I/O and UART modes 		
Timers		<ul style="list-style-type: none"> • 16-bit timer 20 • 8-bit timer/event counter 80 • Watchdog timer 		
Timer output		One output		
Vectored interrupt sources	Maskable	7 internal and 3 external interrupts		
	Non-maskable	Internal interrupt		
Power supply voltage		V _{DD} = 1.8 to 5.5 V		
Operating ambient temperature		T _A = -40 to +85 °C		
Package		<ul style="list-style-type: none"> • 28-pin plastic shrink DIP (400 mil) • 30-pin plastic shrink SOP (300 mil) 		

CONTENTS

1. PIN CONFIGURATION (TOP VIEW) 6

2. BLOCK DIAGRAM 8

3. PIN FUNCTIONS 9

 3.1 Port Pins 9

 3.2 Non-Port Pins 10

 3.3 Pin Input/Output Circuits and Handling of Unused Pins 11

4. MEMORY SPACE 13

5. PERIPHERAL HARDWARE FUNCTIONS 14

 5.1 Ports 14

 5.2 Clock Generator 15

 5.3 Timer 16

 5.4 A/D Converter 18

 5.5 Serial Interface Channel 19

 5.6 Multiplier 20

6. INTERRUPT FUNCTION 21

7. STANDBY FUNCTION 23

8. RESET FUNCTION 23

9. INSTRUCTION SET 24

10. ELECTRICAL CHARACTERISTICS (TARGET VALUES) 27

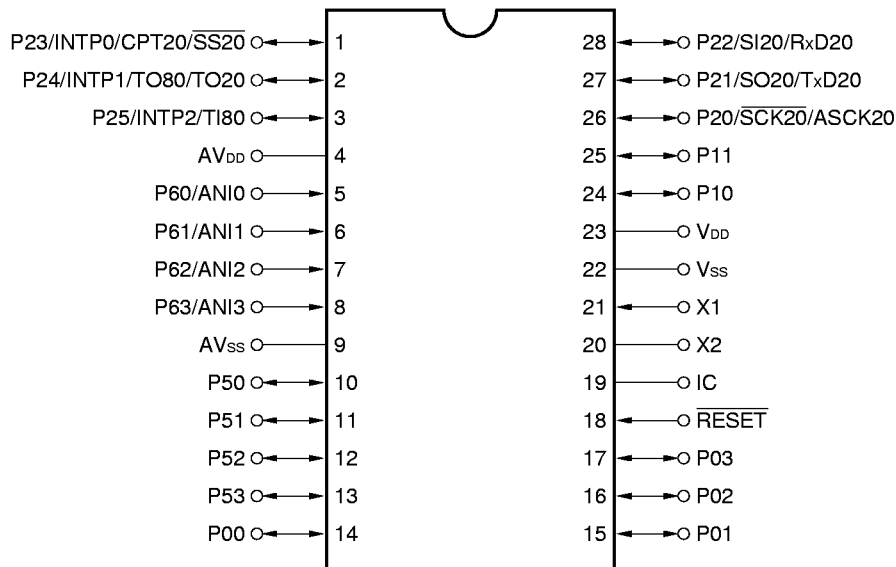
11. PACKAGE DRAWINGS 39

APPENDIX A DEVELOPMENT TOOLS 41

APPENDIX B RELATED DOCUMENTS 42

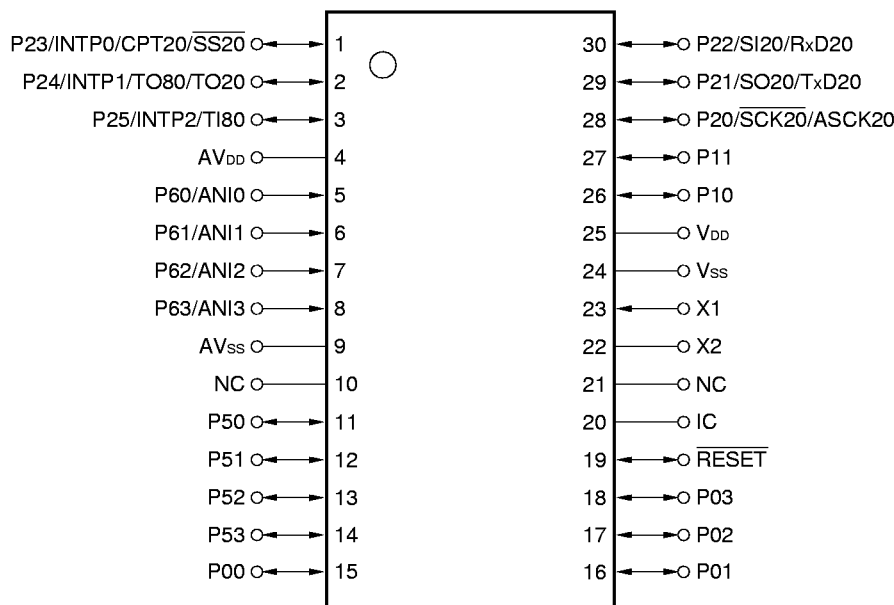
1. PIN CONFIGURATION (TOP VIEW)

- 28-pin plastic shrink DIP (400 mil)
 μPD789101CT-xxx
 μPD789102CT-xxx
 μPD789104CT-xxx



- Cautions**
1. Connect the IC (internally connected) pin directly to the V_{SS} pin.
 2. Connect the AV_{DD} pin to the V_{DD} pin.
 3. Connect the AV_{SS} pin to the V_{SS} pin.

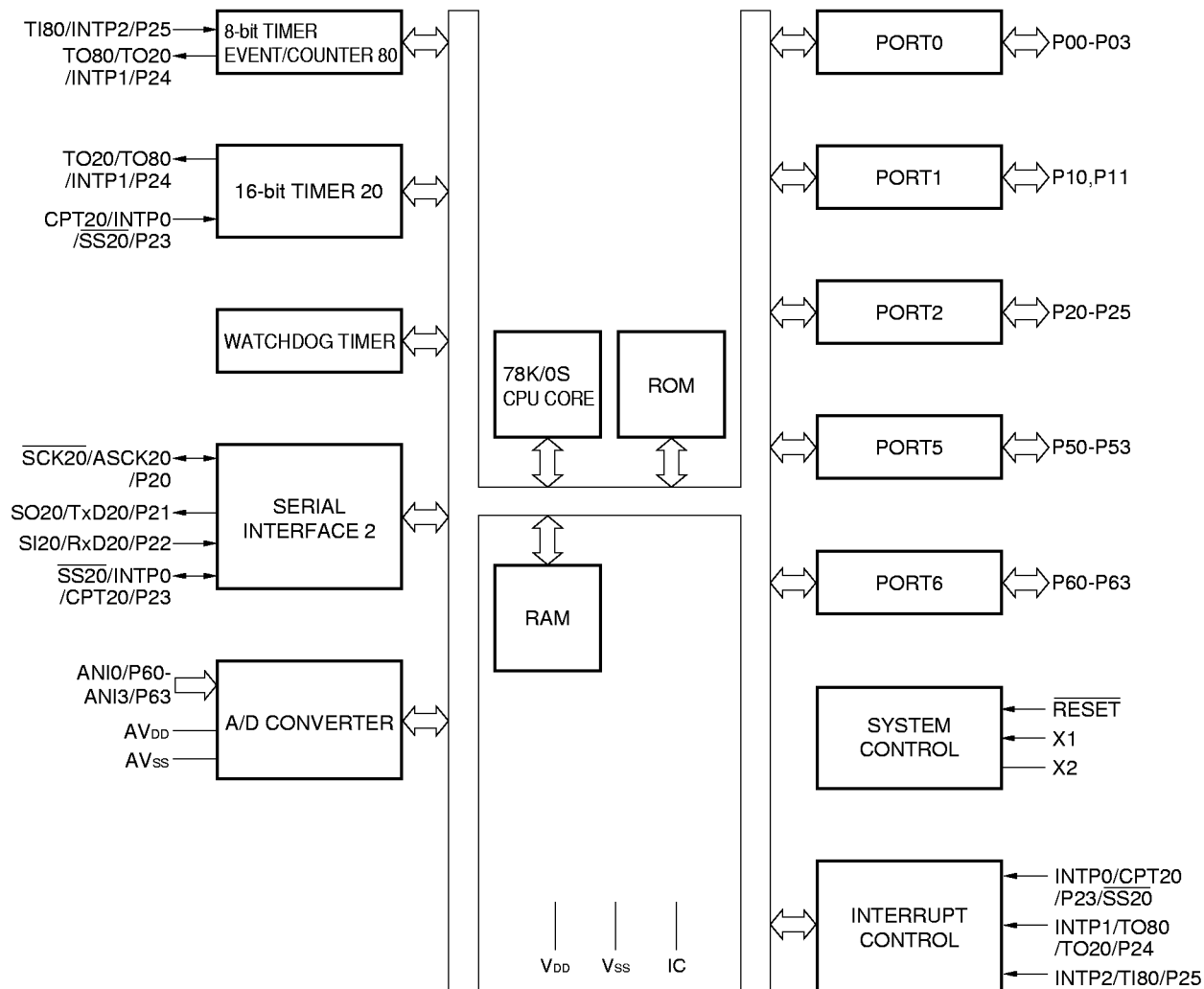
- 30-pin plastic shrink SOP (300 mil)
 μPD789101GS-xxx
 μPD789102GS-xxx
 μPD789104GS-xxx



- Cautions**
1. Connect the IC (internally connected) pin directly to the V_{SS} pin.
 2. Connect the AV_{DD} pin to the V_{DD} pin.
 3. Connect the AV_{SS} pin to the V_{SS} pin.

ANI0-ANI3	: Analog Input	P60-P63	: Port6
ASCK20	: Asynchronous Serial Input	\overline{RESET}	: Reset
AV _{DD}	: Analog Power Supply	RxD20	: Receive Data
AV _{SS}	: Analog Ground	$\overline{SCK20}$: Serial Clock
CPT20	: Capture Trigger Input	SI20	: Serial Input
IC	: Internally Connected	SO20	: Serial Output
INTP0-INTP2	: Interrupt from Peripherals	$\overline{SS20}$: Chip Select Input
NC	: Non-connection	TI80	: Timer Input
P00-P03	: Port0	TO20, TO80	: Timer Output
P10, P11	: Port1	TxD20	: Transmit Data
P20-P25	: Port2	V _{DD}	: Power Supply
P50-P53	: Port5	V _{SS}	: Ground
		X1, X2	: Crystal 1, 2

2. BLOCK DIAGRAM



Remark The size of the built-in ROM varies depending on the model.

3. PIN FUNCTIONS

3.1 Port Pins

Pin name	I/O	Function	When reset	Also used as
P00-P03	I/O	Port 0 4-bit input/output port Can be set to either input or output in 1-bit units When used as an input port, whether the built-in pull-up resistor is to be used can be specified by software.	Input	-
P10, P11	I/O	Port 1 2-bit input/output port Can be set to either input or output in 1-bit units When used as an input port, whether the built-in pull-up resistor is to be used can be specified by software.	Input	-
P20	I/O	Port 2 6-bit input/output port Can be set to either input or output in 1-bit units When used as an input port, whether the built-in pull-up resistor is to be used can be specified by software.	Input	SCK20/ASCK20
P21				SO20/TxD20
P22				SI20/RxD20
P23				INTP0/CPT20 /SS20
P24				INTP1/TO80/TO20
P25				INTP2/TI80
P50-P53	I/O	Port 5 4-bit N-channel open-drain input/output port Can be set to either input or output in 1-bit units Whether a pull-up resistor is to be incorporated can be specified by a mask option.	Input	-
P60-P63	Input	Port 6 4-bit input-only port	Input	ANI0-ANI3

3.2 Non-Port Pins

Pin name	I/O	Function	When reset	Also used as
INTP0	Input	External interrupt input for which effective edges (rising and/or falling edges) can be specified	Input	P23/CPT20/SS20
INTP1				P24/TO80/TO20
INTP2				P25/TI80
SI20	Input	Serial data input to serial interface	Input	P22/RxD20
SO20	Output	Serial data output from serial interface	Input	P21/TxD20
SCK20	I/O	Serial clock input/output for serial interface	Input	P20/ASCK20
ASCK20	Input	Serial clock input to asynchronous serial interface	Input	P20/SCK20
SS20	Input	Chip select input to serial interface	Input	P23/CPT20/INTP0
RxD20	Input	Serial data input to asynchronous serial interface	Input	P22/SI20
TxD20	Output	Serial data output from asynchronous serial interface	Input	P21/SO20
TI80	Input	External count clock input to 8-bit timer (TM80)	Input	P25/INTP2
TO80	Output	8-bit timer (TM80) output	Input	P24/INTP1/TO20
TO20	Output	16-bit timer (TM20) output	Input	P24/INTP1/TO80
CPT20	Input	Capture edge input	Input	P23/INTP0/SS20
ANI0-ANI3	Input	A/D converter analog input	Input	P60-P63
AVss	-	A/D converter ground potential	-	-
AVbd	-	A/D converter analog power supply	-	-
X1	Input	Connected to crystal for main system clock oscillation	-	-
X2	-		-	-
RESET	Input	System reset input	Input	-
VDD	-	Positive supply voltage	-	-
VSS	-	Ground potential	-	-
IC	-	Internally connected directly to the Vss pin	-	-

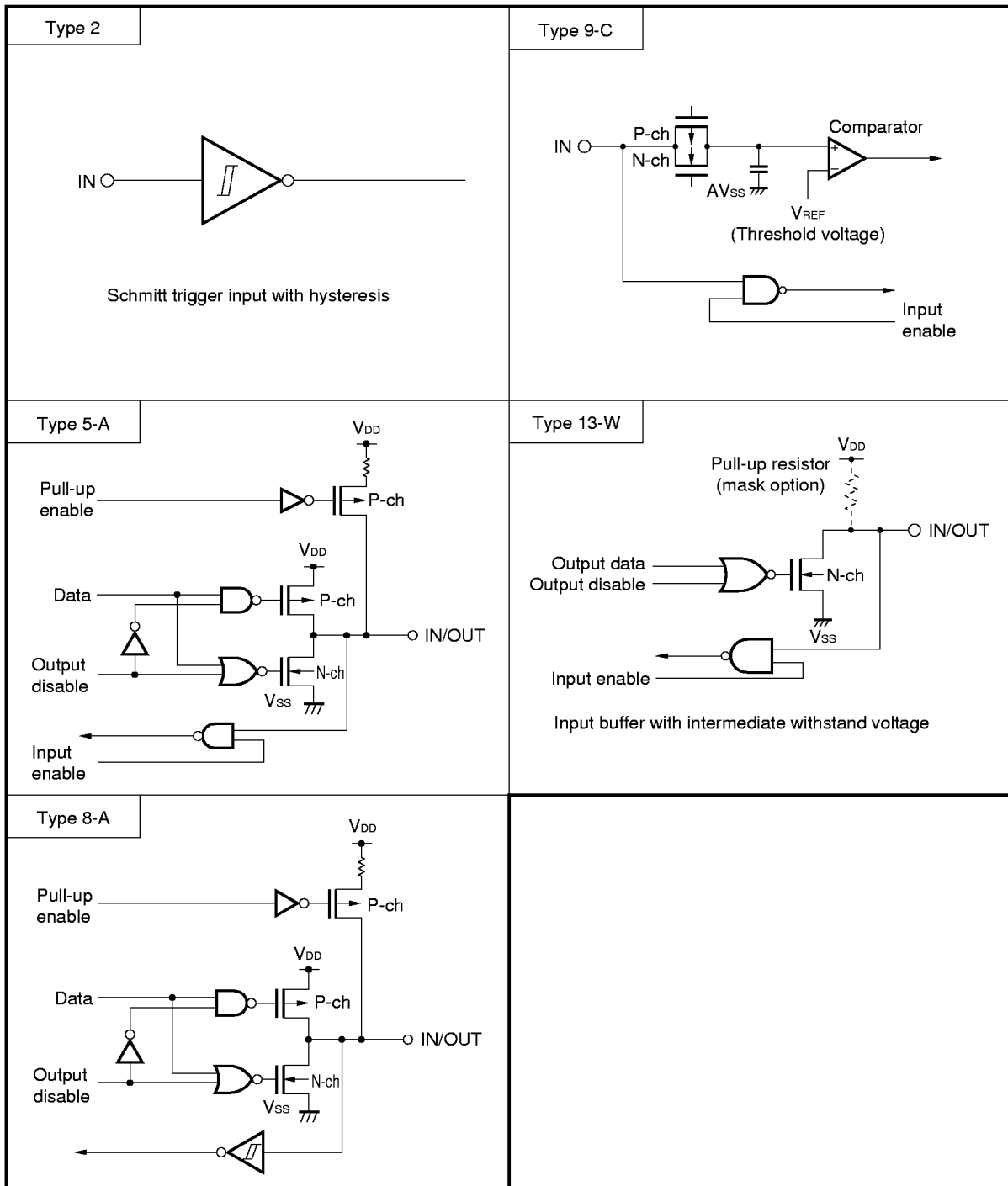
3.3 Pin Input/Output Circuits and Handling of Unused Pins

Table 3-1 lists the types of input/output circuits for each pin and explains how unused pins are handled. Figure 3-1 shows the configuration of each type of input/output circuit.

Table 3-1. Type of Input/Output Circuit for Each Pin and Handling of Unused Pins

Pin name	I/O circuit type	I/O	Recommended connection of unused pins
P00-P03	5-A	I/O	Connect these pins to the V _{DD} or V _{SS} pin through a separate resistor.
P10, P11			
P20/ $\overline{\text{SCK20}}$ / $\overline{\text{ASCK20}}$	8-A		Connect these pins to the V _{SS} pin through a separate resistor.
P21/ $\overline{\text{SO20}}$ / $\overline{\text{TxD20}}$			
P22/ $\overline{\text{SI20}}$ / $\overline{\text{RxID20}}$			
P23/ $\overline{\text{INTP0}}$ / $\overline{\text{CPT20}}$ / $\overline{\text{SS20}}$			
P24/ $\overline{\text{INTP1}}$ / $\overline{\text{TO80}}$ / $\overline{\text{TO20}}$			
P25/ $\overline{\text{INTP2}}$ / $\overline{\text{TI80}}$			
P50-P53	13-W	Connect these pins to the V _{DD} pin through a separate resistor.	
P60/ $\overline{\text{ANI0}}$ -P63/ $\overline{\text{ANI3}}$	9-C	Input	Connect these pins to the V _{DD} or V _{SS} pin through a separate resistor.
AV _{DD}	-	-	Connect this pin to the V _{DD} pin through a resistor.
AV _{SS}	-	-	Connect this pin to the V _{SS} pin through a resistor.
$\overline{\text{RESET}}$	2	Input	-
IC	-	-	Connect this pin directly to the V _{SS} pin.

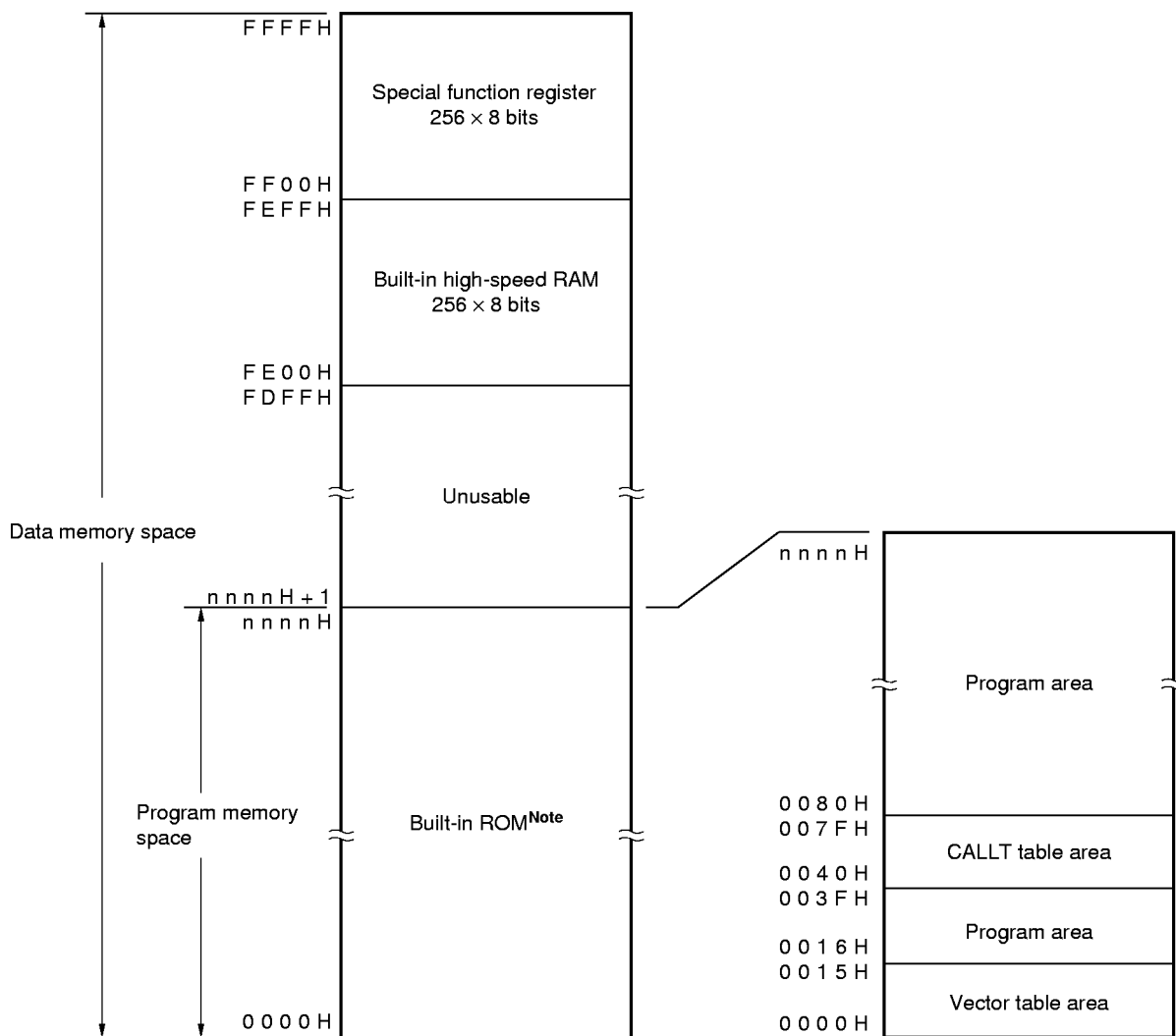
Figure 3-1. Pin Input/Output Circuits



4. MEMORY SPACE

Figure 4-1 shows the memory map of the μPD789101, μPD789102, and μPD789104.

Figure 4-1. Memory Map



Note The size of the built-in ROM varies depending on the model. (See the following table.)

Product name	Last address of built-in ROM nnnnH
μPD789101	07FFH
μPD789102	0FFFH
μPD789104	1FFFH

5. PERIPHERAL HARDWARE FUNCTIONS

5.1 Ports

The following three types of I/O ports are supported:

- CMOS Input ports (port 6) : 4 pins
 - CMOS input/output ports (ports 0 to 2) : 12 pins
 - N-ch open-drain input/output ports (port 5) : 4 pins
-
- Total : 20 pins

Table 5-1. Port Functions

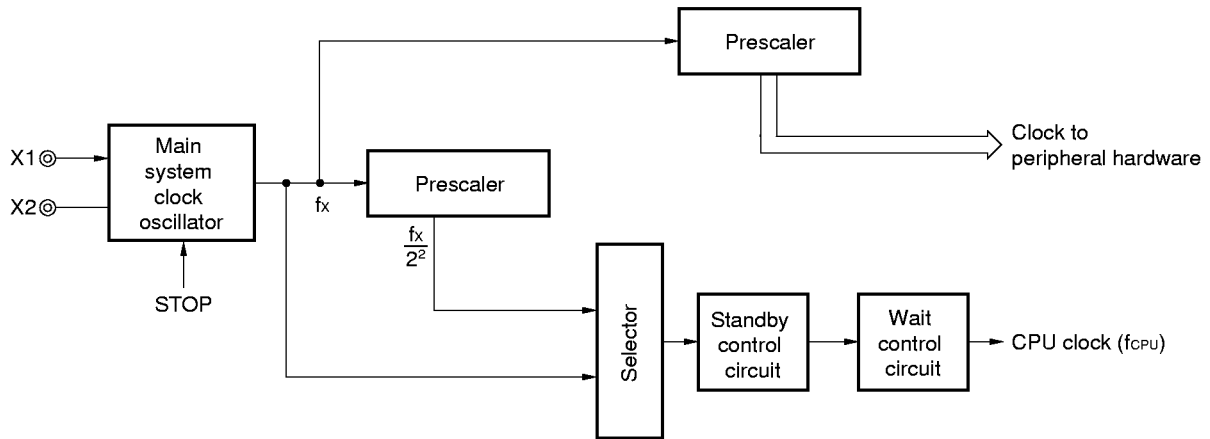
Port name	Pin name	Description
Port 0	P00-P03	Input/output port. Each bit of the port can be separately specified as being for input or output. A port used for input can be connected to an internal pull-up resistor by means of software specification.
Port 1	P10, P11	Input/output port. Each bit of the port can be separately specified as being for input or output. A port used for input can be connected to an internal pull-up resistor by means of software specification.
Port 2	P20-P25	Input/output port. Each bit of the port can be separately specified as being for input or output. A port used for input can be connected to an internal pull-up resistor by means of software specification.
Port 5	P50-P53	N-channel open-drain input/output port. Each bit of the port can be separately specified as being for input or output. Whether the port itself is to contain a pull-up resistor is specified with a mask option.
Port 6	P60-P63	Input-only port

5.2 Clock Generator

An on-chip main system clock generator is provided.
 It is possible to change the instruction execution time.

- 0.4 μ s/ 1.6 μ s (when the main system clock operates at 5.0 MHz)

Figure 5-1. Block Diagram of Clock Generator



5.3 Timer

Three on-chip timers are provided.

- 16-bit timer 20 : 1 channel
- 8-bit timer/event counter 80 : 1 channel
- Watchdog timer : 1 channel

Table 5-2. Timer Operation

		16-bit timer 20	8-bit timer/event counters 80	Watchdog timer
Operation mode	Interval timer	1 channel	1 channel	1 channel
	External event counter	-	1 channel	-
Function	Timer output	1 output	1 output	-
	PWM output	-	1 output	-
	Pulse-width measurement	1 input	-	-
	Square wave output	1 output	1 output	-
	Interrupt request	1	1	1

Figure 5-2. Block Diagram of 16-Bit Timer 20 (TM20)

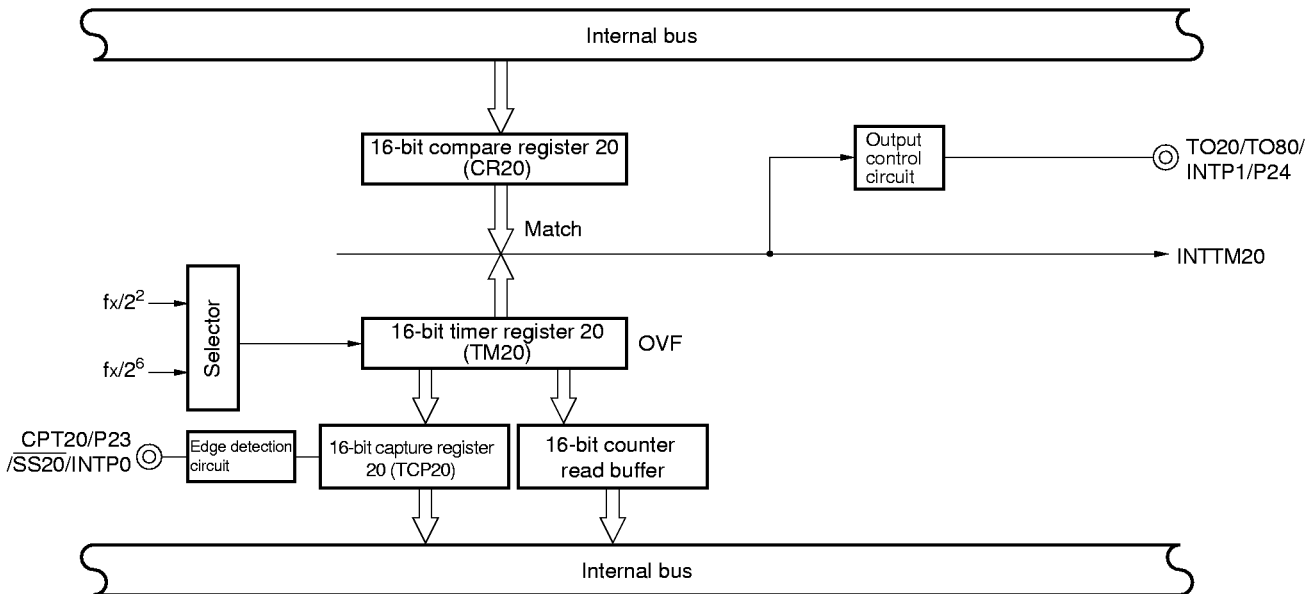


Figure 5-3. Block Diagram of 8-Bit Timer/Event Counter 80 (TM80)

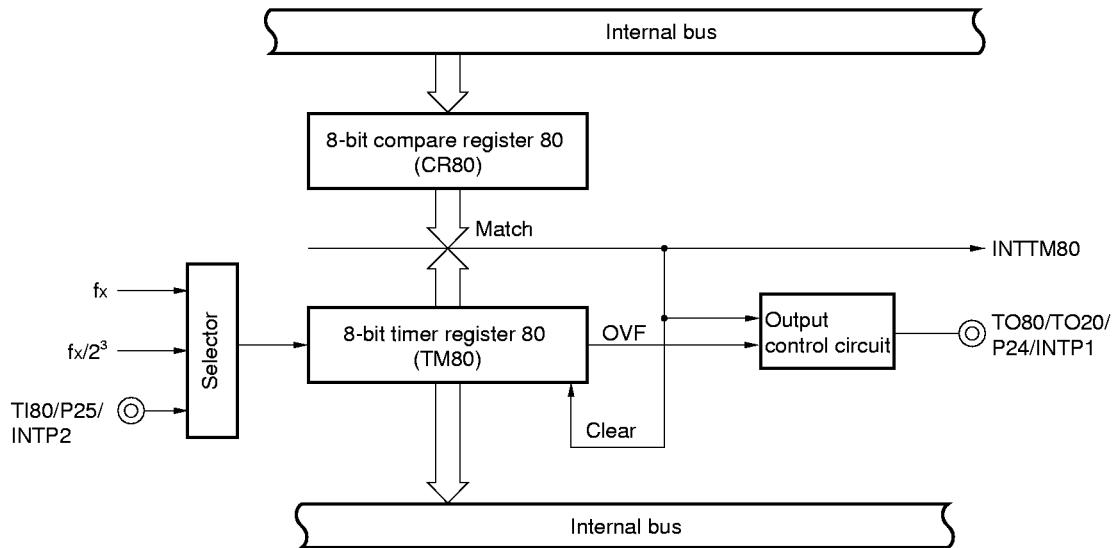
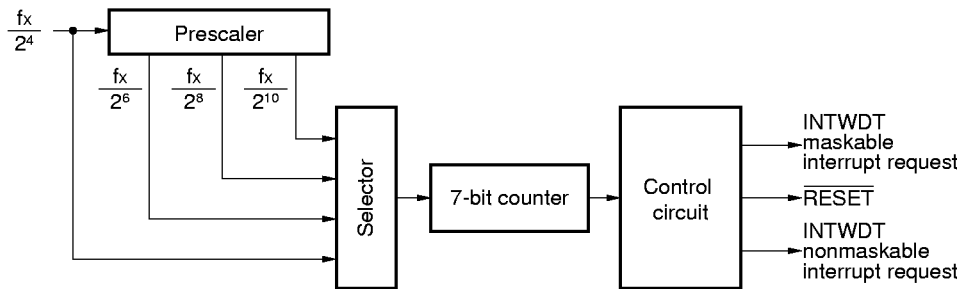


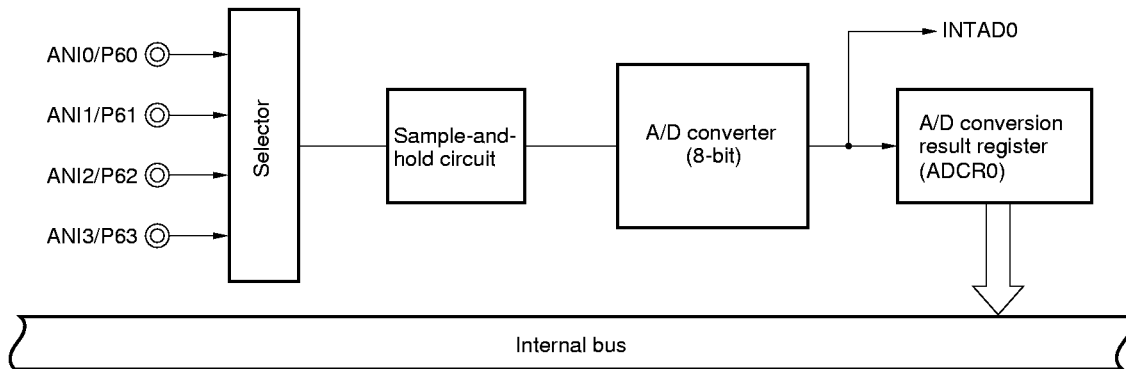
Figure 5-4. Block Diagram of Watchdog Timer



5.4 A/D Converter

Four-channel A/D converters with an 8-bit resolution are incorporated.
 A/D conversion can be started only by software.

Figure 5-5. A/D Converter Block Diagram



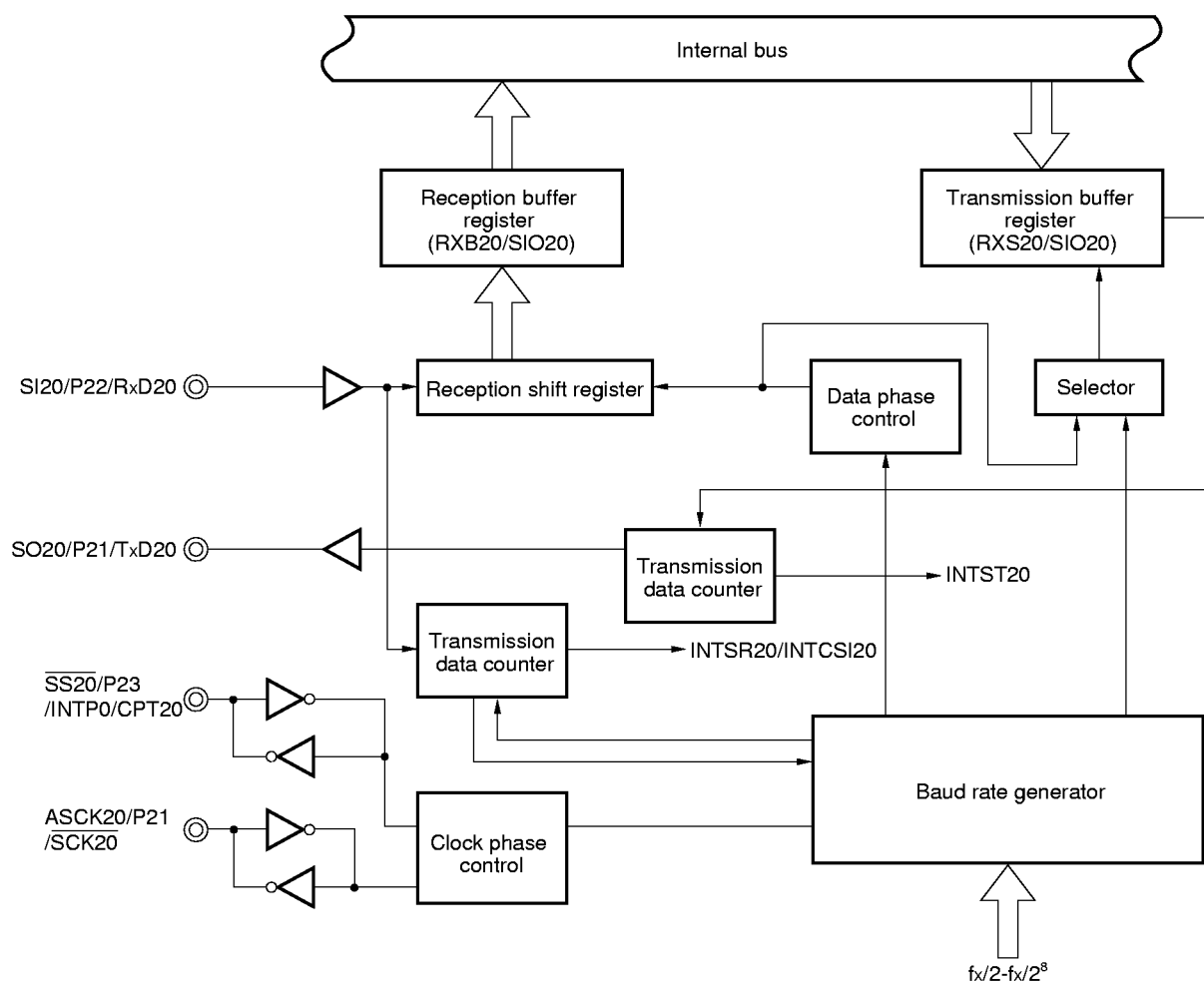
5.5 Serial Interface Channel

One-channel serial interface is incorporated.

Serial interface channel 2 supports the following two modes:

- Three-wire serial I/O mode : A function to select the clock phase or data phase is incorporated.
- Asynchronous serial interface (UART) mode : The dedicated baud rate generator is incorporated.

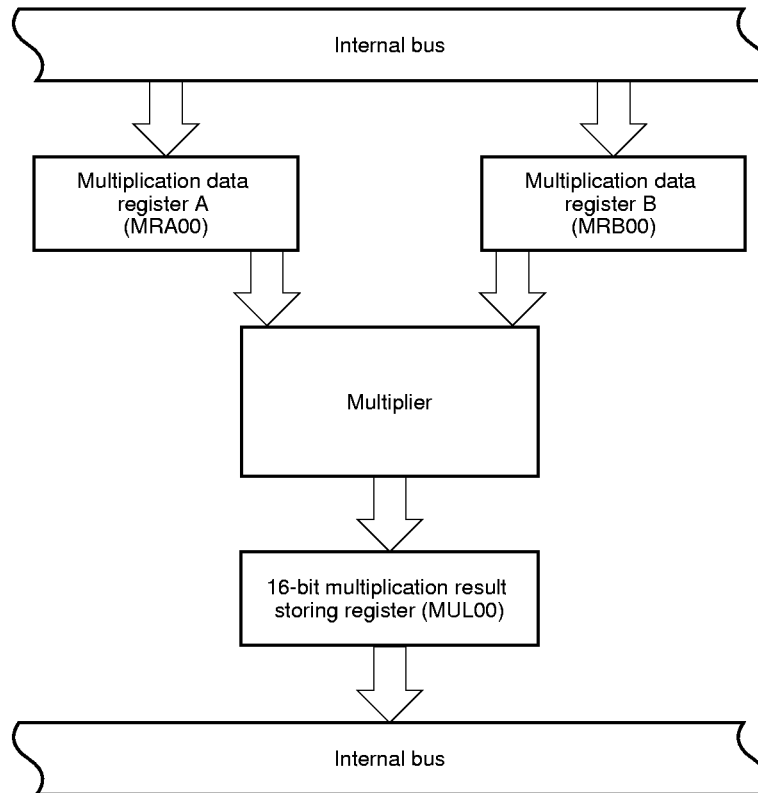
Figure 5-6. Block Diagram of Serial Interface Channel 2



5.6 Multiplier

Calculation of 16 bits (8 bits × 2) can be performed.

Figure 5-7. Multiplier Block Diagram



6. INTERRUPT FUNCTION

There are two types and 11 sources of interrupt function as shown below.

- Nonmaskable interrupt : 1 source
- Maskable interrupts : 10 sources

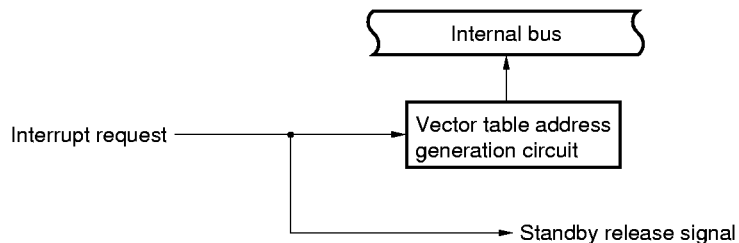
Table 6-1. Interrupt Sources

Interrupt type	Priority ^{Note 1}	Interrupt source		Internal/external	Vector table address	Basic configuration type ^{Note 2}
		Name	Trigger			
Nonmaskable interrupt	-	INTWDT	Watchdog timer overflow (when watchdog timer mode 1 is selected)	Internal	0004H	(A)
Maskable	0	INTWDT	Watchdog timer overflow (when the interval timer mode is selected)			External
	1	INTP0	Pin input edge detection	(C)		
	2	INTP1				
	3	INTP2				
	4	INTSR20	End of UART reception on serial interface channel 2	Internal	000CH 000EH 0010H 0012H 0014H	(B)
		INTCSI20	End of three-wire SIO transfer reception on serial interface channel 2			
	5	INTST20	End of UART transmission on serial interface channel 2			
	6	INTTM80	Generation of match signal for 8-bit timer/event counter 80			
	7	INTTM20	Generation of match signal for 16-bit timer 20			
8	INTAD0	A/D conversion completion signal				

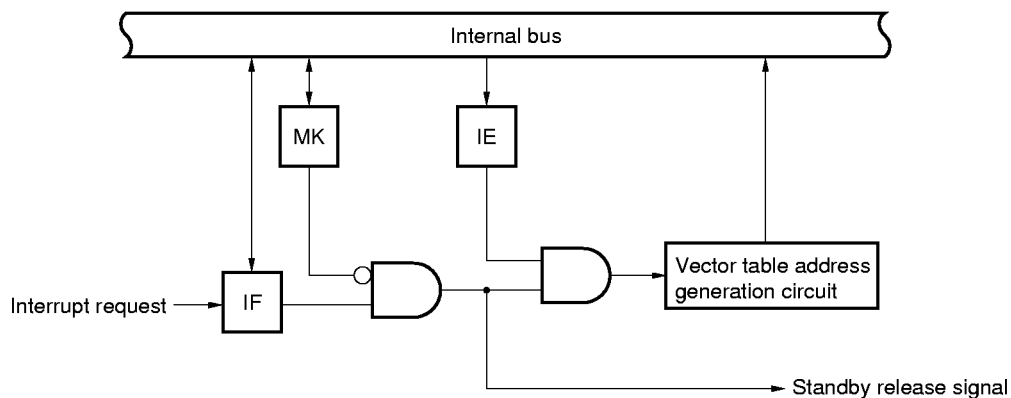
- Notes**
1. The priority regulates which maskable interrupt is higher, when two or more maskable interrupts are requested simultaneously. Zero signifies the highest priority, while 8 is the lowest.
 2. Basic configuration types (A), (B), and (C) correspond to (A), (B), and (C) in Figure 6-1, respectively.

Figure 6-1. Basic Configuration of Interrupt Functions

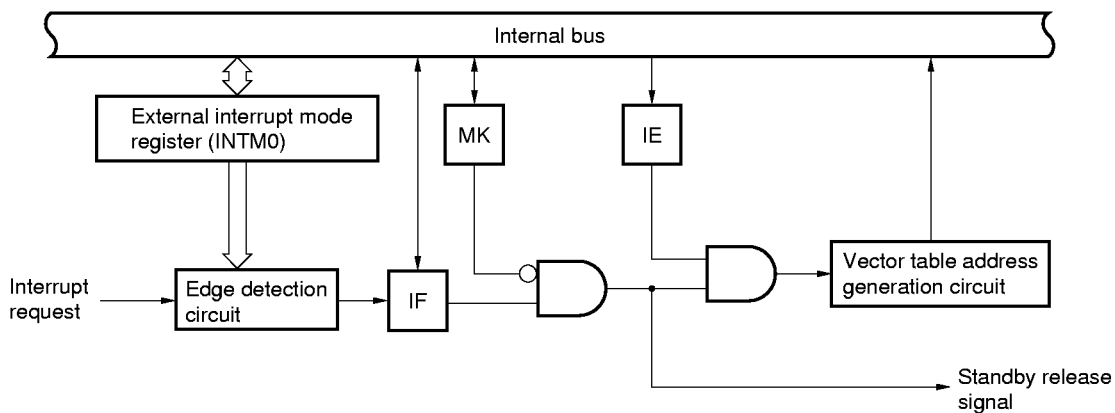
(A) Internal nonmaskable interrupt



(B) Internal maskable interrupt



(C) External maskable interrupt



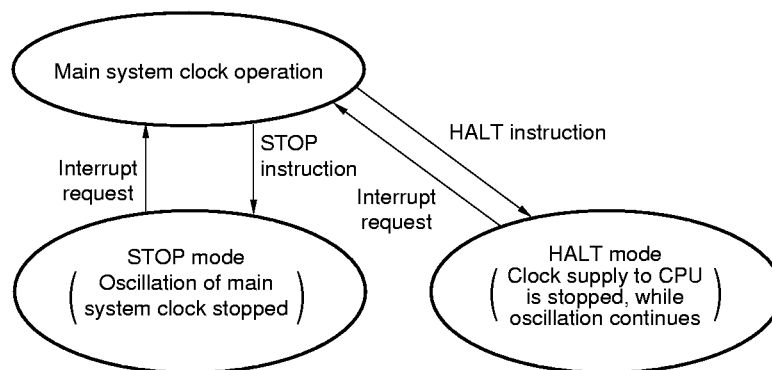
IF : Interrupt request flag
 IE : Interrupt enable flag
 MK : Interrupt mask flag

7. STANDBY FUNCTION

The standby function is a function to reduce current consumption and there are two kinds of standby function as shown below.

- HALT mode : Stops the operating clock of the CPU. Intermittent operation together with normal operation can reduce average current consumption.
- STOP mode: Stops oscillation of the main system clock. Stops the entire operation by the main system clock and minimizes power consumption.

Figure 7-1. Standby Function



8. RESET FUNCTION

The system is reset in the following two ways.

- External reset by $\overline{\text{RESET}}$ pin
- Internal reset by detection of inadvertent program loop time of watchdog timer

9. INSTRUCTION SET

(1) 8-bit instructions

MOV, XCH, ADD, ADDC, SUB, SUBC, AND, OR, XOR, CMP, INC, DEC, ROR, ROL, RORC, ROLC, PUSH, POP, DBNZ

2nd operand 1st operand	#byte	A	r	sfr	saddr	!addr16	PSW	[DE]	[HL]	[HL + byte]	\$addr16	1	None
A	ADD ADDC SUB SUBC AND OR XOR CMP		MOV ^{Note} XCH ^{Note}	MOV XCH	MOV XCH ADD ADDC SUB SUBC AND OR XOR CMP	MOV ADD ADDC SUB SUBC AND OR XOR CMP	MOV	MOV XCH	MOV XCH ADD ADDC SUB SUBC AND OR XOR CMP	MOV XCH ADD ADDC SUB SUBC AND OR XOR CMP		ROR ROL RORC ROLC	
r	MOV	MOV ^{Note}											INC DEC
B, C											DBNZ		
sfr	MOV	MOV											
saddr	MOV ADD ADDC SUB SUBC AND OR XOR CMP	MOV									DBNZ		INC DEC
!addr16		MOV											
PSW	MOV	MOV											PUSH POP
[DE]		MOV											
[HL]		MOV											
[HL + byte]		MOV											

Note Except r = A

(2) 16-bit instructions

MOVW, XCHW, ADDW, SUBW, CMPW, PUSH, POP, INCW, DECW

2nd operand 1st operand	#word	AX	rp ^{Note}	saddrp	SP	None
AX	ADDW SUBW CMPW		MOVW XCHW	MOVW	MOVW	
rp	MOVW	MOVW ^{Note}				INCW DECW PUSH POP
saddrp		MOVW				
SP		MOVW				

Note Only when rp = BC, DE, HL

(3) Bit manipulation instructions

SET1, CLR1, NOT1, BT, BF

2nd operand 1st operand	\$addr16	None
A.bit	BT BF	SET1 CLR1
sfr.bit	BT BF	SET1 CLR1
saddr.bit	BT BF	SET1 CLR1
PSW.bit	BT BF	SET1 CLR1
[HL].bit		SET1 CLR1
CY		SET1 CLR1 NOT1

(4) Call instructions/ branch instructions

CALL, CALLT, BR, BC, BNC, BZ, BNZ, BT, BF, DBNZ

2nd operand 1st operand	AX	!addr16	[addr5]	\$addr16
Basic instruction	BR	CALL BR	CALLT	BR BC BNC BZ BNZ
Complex instruction				DBNZ

(5) Other instructions

RET, RETI, NOP, EI, DI, HALT, STOP

10. ELECTRICAL CHARACTERISTICS (TARGET VALUES)

ABSOLUTE MAXIMUM RATINGS (T_A = 25 °C)

Parameter	Symbol	Conditions		Rated value	Unit
Supply voltage	V _{DD}			-0.3 to +7.0	V
Input voltage	V _{I1}	Pins other than those for port 5		-0.3 to V _{DD} + 0.3	V
	V _{I2}	P50-P53	With N-ch open drain	-0.3 to +13	V
			With a built-in pull-up resistor	-0.3 to V _{DD} + 0.3	V
Output voltage	V _O			-0.3 to V _{DD} + 0.3	V
High-level output current	I _{OH}	Each pin		-10	mA
		Total for all pins		-30	mA
Low-level output current	I _{OL}	Each pin		30	mA
		Total for all pins		160	mA
Operating ambient temperature	T _A			-40 to +85	°C
Storage temperature	T _{stg}			-65 to +150	°C

Caution Absolute maximum ratings are rated values beyond which physical damage will be caused to the product; if the rated value of any of the parameters in the above table is exceeded, even momentarily, the quality of the product may deteriorate. Always use the product within its rated values.

Remark The characteristic of a dual-function pin does not differ between the port function and the secondary function, unless otherwise stated.

CHARACTERISTICS OF THE MAIN SYSTEM CLOCK OSCILLATION CIRCUIT

(T_A = -40 to +85 °C, V_{DD} = 1.8 to 5.5 V)

Resonator	Recommended circuit	Parameter	Conditions	MIN.	TYP.	MAX.	Unit
Ceramic resonator		Oscillator frequency (f _x) ^{Note 1}	V _{DD} = oscillation voltage range	1.0		5.0	MHz
		Oscillation settling time ^{Note 2}	After V _{DD} reaches MIN. of the oscillation voltage range			4	ms
Crystal		Oscillator frequency (f _x) ^{Note 1}		1.0		5.0	MHz
		Oscillation settling time ^{Note 2}	V _{DD} = 4.5 to 5.5 V			10	ms
						30	
External clock		X1 input frequency (f _x) ^{Note 1}		1.0		5.0	MHz
		X1 input high/low level width (t _{xH} , t _{xL})		100		500	ns

- Notes**
1. Only the characteristic of the oscillation circuit is indicated. See the description of the AC characteristic for the instruction execution time.
 2. Time required for oscillation to settle once a reset sequence ends or STOP mode is deselected.

Caution When using the main system clock oscillation circuit, observe the following conditions for the wiring of that section enclosed in dotted lines in the above diagrams, so as to avoid the influence of the wiring capacitance.

- Keep the wiring as short as possible.
- Do not allow signal wires to cross one another.
- Keep the wiring away from wires that carry a high, non-stable current.
- Keep the grounding point of the capacitors at the same level as V_{ss}.
- Do not connect the grounding point to a grounding wire that carries a high current.
- Do not extract a signal from the oscillation circuit.

DC CHARACTERISTICS (T_A = -40 to +85 °C, V_{DD} = 1.8 to 5.5 V)

Parameter	Symbol	Conditions		MIN.	TYP.	MAX.	Unit
Low-level output current	I _{OL}	Each pin				Undefined	mA
		Total for all pins				80	mA
High-level output current	I _{OH}	Each pin				Undefined	mA
		Total for all pins				-15	mA
High-level input voltage	V _{IH1}	P00-P03, P10, P11, P60-P63		V _{DD} = 2.7 to 5.5 V	0.7V _{DD}	V _{DD}	V
					0.9V _{DD}	V _{DD}	V
	V _{IH2}	P50-P53	With N-ch open drain	V _{DD} = 2.7 to 5.5 V	0.7V _{DD}	12	V
					0.9V _{DD}	12	V
			With a built-in pull-up resistor	V _{DD} = 2.7 to 5.5 V	0.7V _{DD}	V _{DD}	V
				0.9V _{DD}	V _{DD}	V	
	V _{IH3}	RESET, P20-P25, P40-P45	V _{DD} = 2.7 to 5.5 V	0.8V _{DD}	V _{DD}	V	
			0.9V _{DD}	V _{DD}	V		
V _{IH4}	X1, X2		V _{DD} - 0.1	V _{DD}	V		
Low-level input voltage	V _{IL1}	P00-P03, P10, P11, P60-P63		V _{DD} = 2.7 to 5.5 V	0	0.3V _{DD}	V
					0	0.1V _{DD}	V
	V _{IL2}	P50-P53		V _{DD} = 2.7 to 5.5 V	0	0.3V _{DD}	V
					0	0.1V _{DD}	V
	V _{IL3}	RESET, P20-P25, P40-P45		V _{DD} = 2.7 to 5.5 V	0	0.2V _{DD}	V
				0	0.1V _{DD}	V	
V _{IL4}	X1, X2		0	0.1	V		
High-level output voltage	V _{OH}	V _{DD} = 4.5 to 5.5 V, I _{OH} = -1 mA		V _{DD} - 1.0			V
		V _{DD} = 1.8 to 5.5 V, I _{OH} = -100 μA		V _{DD} - 0.5			V
Low-level output voltage	V _{OL1}	Pins other than those for port 5		V _{DD} = 4.5 to 5.5 V, I _{OL} = 10 mA		1.0	V
				V _{DD} = 1.8 to 5.5 V, I _{OL} = 400 μA		0.5	V
	V _{OL2}	P50-P53		V _{DD} = 4.5 to 5.5 V, I _{OL} = 10 mA		1.0	V
				V _{DD} = 1.8 to 5.5 V, I _{OL} = 1.6 mA		0.4	V
High-level input leakage current	I _{LIH1}	V _{IN} = V _{DD}		Pins other than the X1 pin, X2 pin, or those for port 5		3	μA
	I _{LIH2}			X1, X2		20	μA
	I _{LIH3}	V _{IN} = 12 V		P50-P53 (N-channel open drain)		20	μA
Low-level input leakage current	I _{LIL1}	V _{IN} = 0 V		Pins other than the X1 pin, X2 pin, or those for port 5		-3	μA
	I _{LIL2}			X1, X2		-20	μA
	I _{LIL3}			P50-P53 (N-channel open drain) During input instruction execution		-30	μA
High-level output leakage current	I _{LOH}	V _{OUT} = V _{DD}				3	μA
Low-level output leakage current	I _{LOL}	V _{OUT} = 0 V				-3	μA

Remark The characteristic of a dual-function pin does not differ between the port function and the secondary function, unless otherwise stated.

DC CHARACTERISTICS ($T_A = -40$ to $+85$ °C, $V_{DD} = 1.8$ to 5.5 V)

Parameter	Symbol	Conditions	MIN.	TYP.	MAX.	Unit	
Software-specified pull-up resistor	R ₁	V _{IN} = 0 V, for pins other than those for port 5	50	100	200	kΩ	
Mask option-specified pull-up resistor	R ₂	V _{IN} = 0 V, P50-P53	15	30	60	kΩ	
Power supply current ^{Note 1}	I _{DD1}	5.0-MHz crystal oscillation operating mode	V _{DD} = 5.0 V ± 10 % ^{Note 2}		5.5	16.5	mA
			V _{DD} = 3.0 V ± 10 %		0.7	2.1	mA
			V _{DD} = 2.0 V ± 10 %		0.4	1.2	mA
	I _{DD2}	5.0-MHz crystal oscillation HALT mode	V _{DD} = 5.0 V ± 10 %		1.2	3.6	mA
			V _{DD} = 3.0 V ± 10 %		0.5	1.5	mA
			V _{DD} = 2.0 V ± 10 %		0.3	0.9	mA
	I _{DD3}	STOP mode	V _{DD} = 5.0 V ± 10 %		0.1	30	μA
			V _{DD} = 3.0 V ± 10 %		0.05	10	μA
			V _{DD} = 2.0 V ± 10 %		0.05	10	μA
	I _{DD4}	5.0-MHz crystal oscillation A/D operating mode	V _{DD} = 5.0 V ± 10 %		6.1	18.3	mA
			V _{DD} = 3.0 V ± 10 %		1.3	2.9	mA
			V _{DD} = 2.0 V ± 10 %		1.0	3.0	mA

Notes 1. The power supply current does not include AV_{DD} or the port current (including the current flowing through the built-in pull-up resistor).

2. During high-speed mode operation (when the processor clock control register (PCC) is cleared to 00H.)

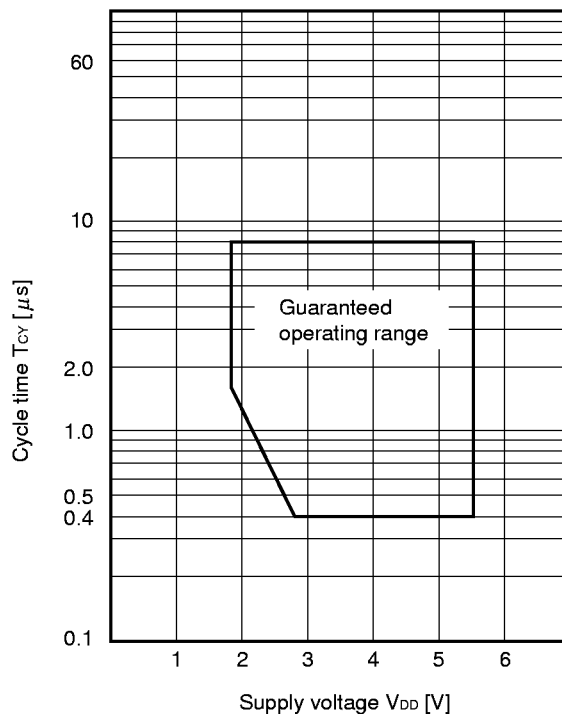
Remark The characteristic of a dual-function pin does not differ between the port function and the secondary function, unless otherwise stated.

AC CHARACTERISTICS

(1) Basic operations (T_A = -40 to +85 °C, V_{DD} = 1.8 to 5.5 V)

Parameter	Symbol	Conditions	MIN.	TYP.	MAX.	Unit
Cycle time (minimum instruction execution time)	T _{CY}	V _{DD} = 2.7 to 5.5 V	0.4		8	μs
			1.6		8	μs
Tl80 input high/low level width	t _{TIH}	V _{DD} = 2.7 to 5.5 V	0.1			μs
	t _{TIL}		1.8			μs
Tl80 input frequency	f _{TI}	V _{DD} = 2.7 to 5.5 V	0		4	MHz
			0		275	kHz
Interrupt input high/low level width	t _{INTH}	INTP0-INTP2	V _{DD} = 2.7 to 5.5 V	10		μs
	t _{INTL}			20		μs
RESET low level width	t _{RSL}	V _{DD} = 2.7 to 5.5 V	10			μs
			20			μs

T_{CY} vs V_{DD} (main system clock)



(2) Serial interface channel 2 (T_A = -40 to +85 °C, V_{DD} = 1.8 to 5.5 V)

(i) Three-wire serial I/O mode (SCK20...Internal clock output)

Parameter	Symbol	Conditions	MIN.	TYP.	MAX.	Unit	
SCK20 cycle time	t _{KCY1}	V _{DD} = 2.7 to 5.5 V	800			ns	
			3 200			ns	
SCK20 high/low level width	t _{KH1} , t _{KL1}	V _{DD} = 2.7 to 5.5 V	t _{KCY1} /2-50			ns	
			t _{KCY1} /2-150			ns	
SI20 setup time (for SCK20 latch edge)	t _{SIK1}	V _{DD} = 2.7 to 5.5 V	150			ns	
			500			ns	
SI20 hold time (for SCK20 latch edge)	t _{KSI1}	V _{DD} = 2.7 to 5.5 V	400			ns	
			600			ns	
Delay from SCK20 shift edge to SO20 output	t _{KSO1}	R = 1 kΩ, C = 100 pF ^{Note}	V _{DD} = 2.7 to 5.5 V	0		250	ns
				0		1 000	ns

Note R and C are the resistance and capacitance of the SO20 output line, respectively.

(ii) Three-wire serial I/O mode (SCK20...External clock output)

Parameter	Symbol	Conditions	MIN.	TYP.	MAX.	Unit	
SCK20 cycle time	t _{KCY2}	V _{DD} = 2.7 to 5.5 V	800			ns	
			3 200			ns	
SCK20 high/low level width	t _{KH2} , t _{KL2}	V _{DD} = 2.7 to 5.5 V	400			ns	
			1 600			ns	
SI20 setup time (for SCK20 latch edge)	t _{SIK2}	V _{DD} = 2.7 to 5.5 V	100			ns	
			150			ns	
SI20 hold time (for SCK20 latch edge)	t _{KSI2}	V _{DD} = 2.7 to 5.5 V	400			ns	
			600			ns	
Delay from SCK20 shift edge to SO20 output	t _{KSO2}	R = 1 kΩ, C = 100 pF ^{Note}	V _{DD} = 2.7 to 5.5 V	0		300	ns
				0		1 000	ns
SO20 setup time (for SS20↓ when SS20 is used)	t _{KAS2}	V _{DD} = 2.7 to 5.5 V			120	ns	
					400	ns	
SO20 disable time (for SS20↑ when SS20 is used)	t _{KDS2}	V _{DD} = 2.7 to 5.5 V			240	ns	
					800	ns	

Note R and C are the resistance and capacitance of the SO20 output line, respectively.

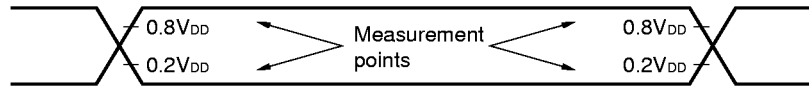
(iii) UART mode (Internal clock output)

Parameter	Symbol	Conditions	MIN.	TYP.	MAX.	Unit
Transfer rate		V _{DD} = 2.7 to 5.5 V			78 125	bps
					19 531	bps

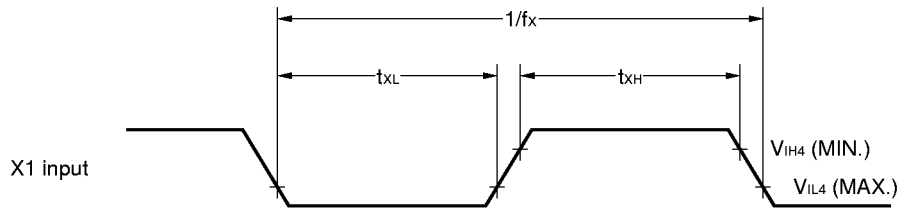
(iv) UART mode (external clock input)

Parameter	Symbol	Conditions	MIN.	TYP.	MAX.	Unit
ASCK20 cycle time	t_{KCY3}	$V_{DD} = 2.7 \text{ to } 5.5 \text{ V}$	800			ns
			3 200			ns
ASCK20 high/low level width	t_{KH3} , t_{KL3}	$V_{DD} = 2.7 \text{ to } 5.5 \text{ V}$	400			ns
			1 600			ns
Transfer rate		$V_{DD} = 2.7 \text{ to } 5.5 \text{ V}$			39 063	bps
					9 766	bps
ASCK20 rising time, falling time	t_R , t_F				1	μ s

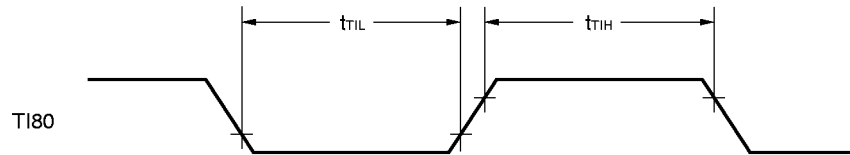
AC TIMING MEASUREMENT POINTS (except the X1 and XT1 inputs)



CLOCK TIMING

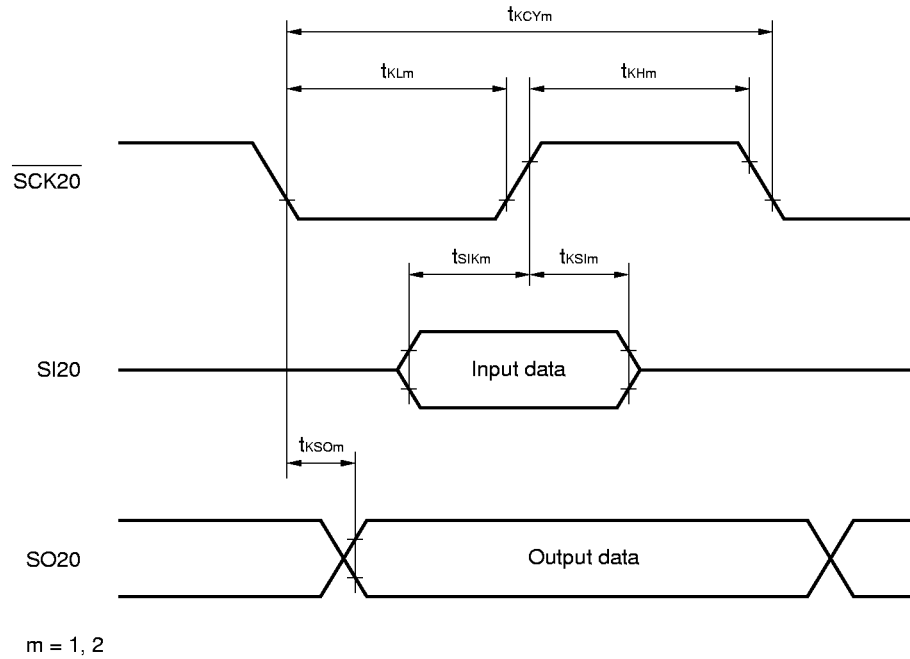


TI TIMING

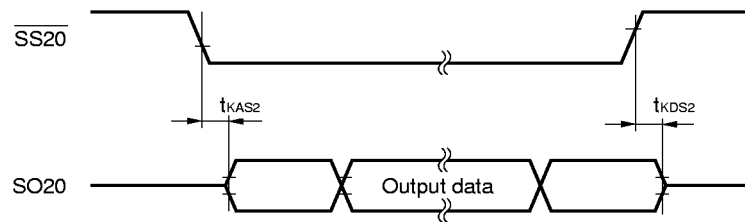


SERIAL TRANSFER TIMING

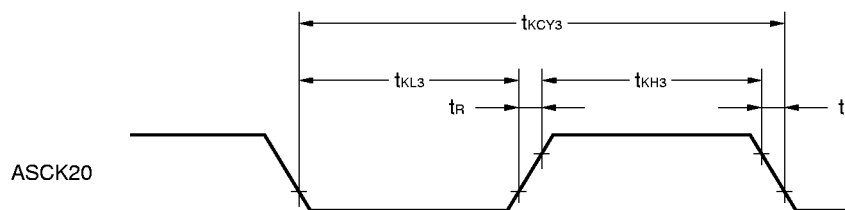
Three-Wire Serial I/O Mode:



Three-wire serial I/O mode (when $\overline{\text{SS20}}$ is used):



UART Mode (External Clock Input):



A/D CONVERTER CHARACTERISTICS (T_A = -40 to +85 °C, AV_{DD} = V_{DD} = 1.8 to 5.5 V, AV_{SS} = V_{SS} = 0 V)

Item	Symbol	Conditions	MIN.	TYP.	MAX.	Unit
Resolution			8	8	8	bit
Total error ^{Note}					0.6	%
Conversion time	T _{CONV}		Undefined		Undefined	μs
Analog input voltage	V _{IAN}		0		AV _{DD}	V
Resistor between AV _{REF} and AV _{SS}	R _{AIREF}			46.9		kΩ

Note No quantization error ($\pm 1/2$ LSB) is included.

DATA MEMORY STOP MODE LOW SUPPLY VOLTAGE DATA HOLD CHARACTERISTICS

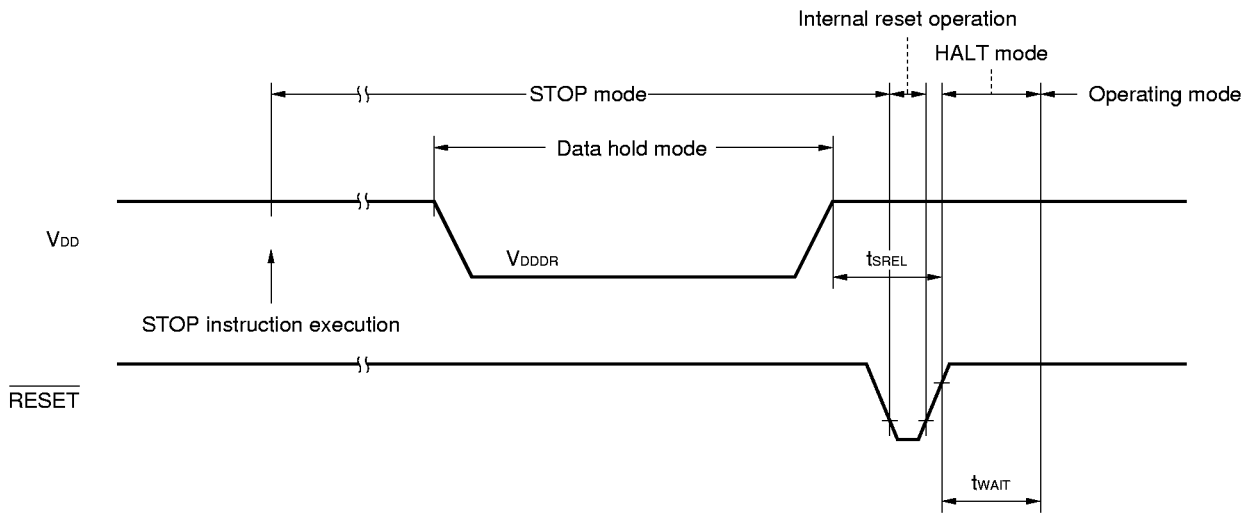
(T_A = -40 to +85 °C)

Item	Symbol	Conditions	MIN.	TYP.	MAX.	Unit
Data hold supply voltage	V _{DDDR}		1.8		5.5	V
Release signal set time	t _{SREL}		0			μs
Oscillation settling time	t _{WAIT}	Reset by $\overline{\text{RESET}}$		2 ¹⁵ /f _x		ms
		Reset by interrupt		Note		ms

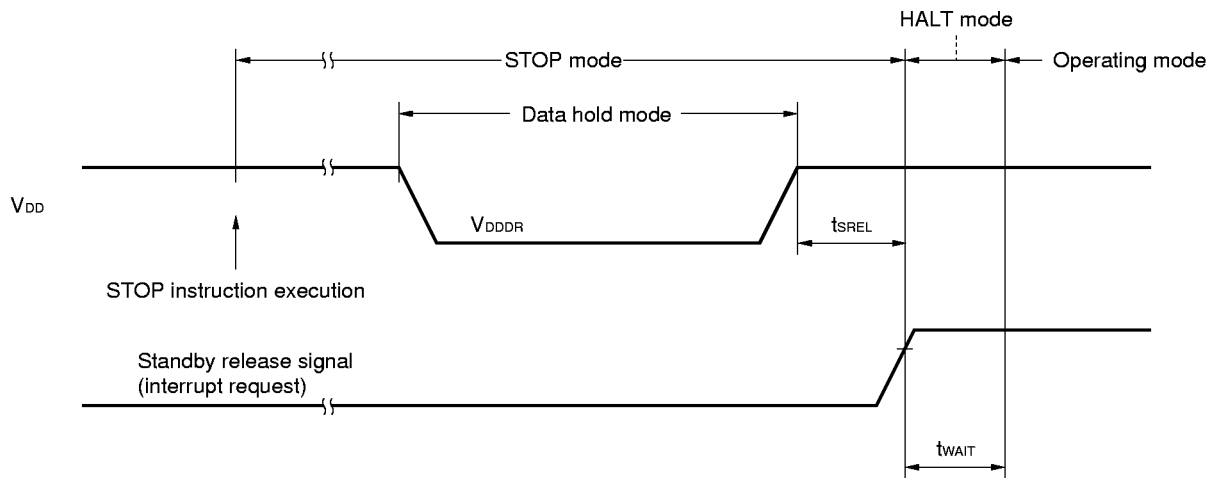
Note 2¹²/f_x, 2¹⁵/f_x, or 2¹⁷/f_x can be selected according to the setting of bits 0 to 2 (OSTS0 to OSTS2) of the oscillation settling time selection register.

Remark f_x: Main system clock oscillation frequency

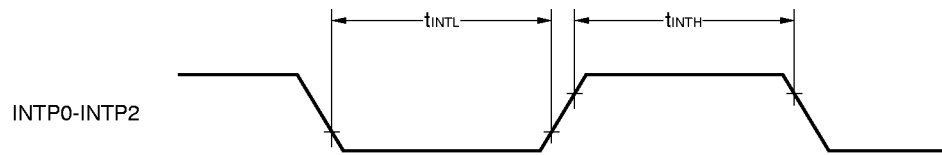
DATA HOLD TIMING (STOP mode release by RESET)



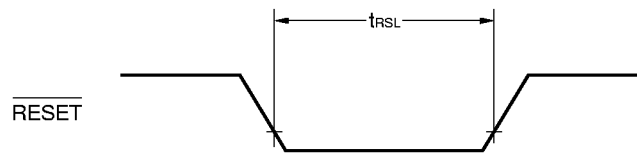
DATA HOLD TIMING (standby release signal: STOP mode release by interrupt signal)



INTERRUPT INPUT TIMING

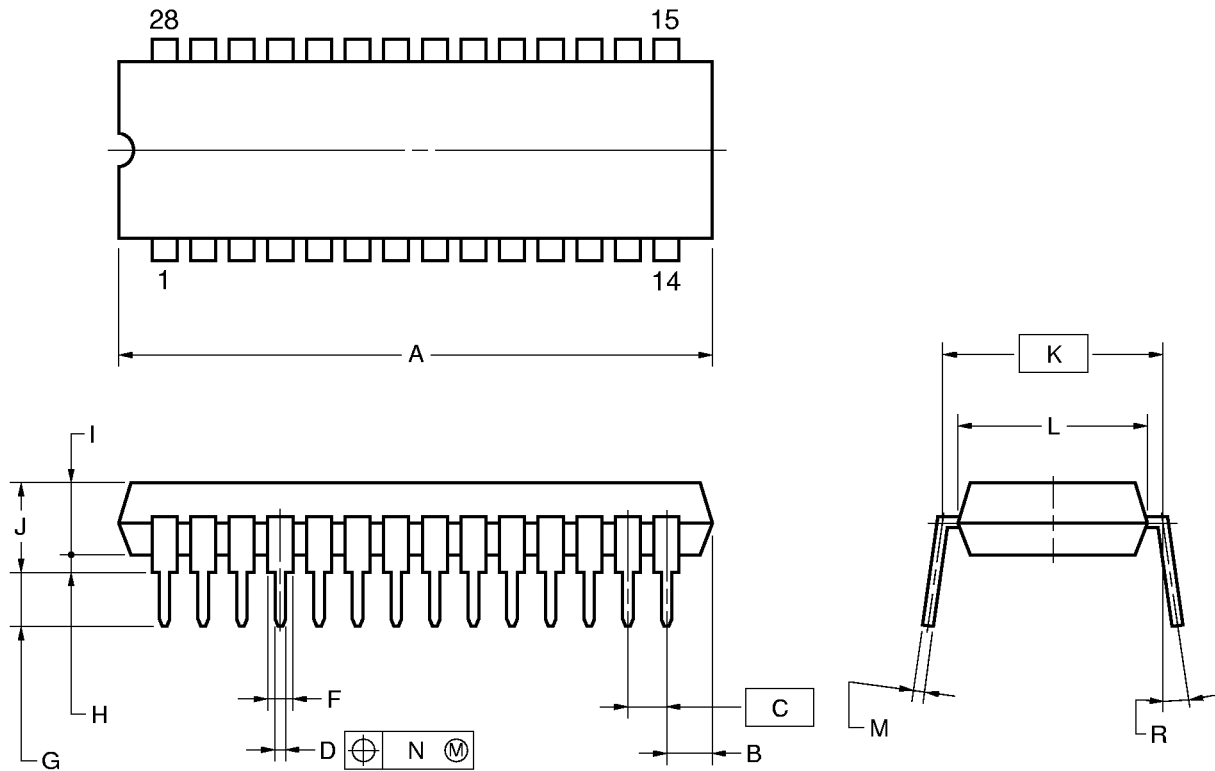


RESET INPUT TIMING



11. PACKAGE DRAWINGS

28PIN PLASTIC SHRINK DIP (400 mil)



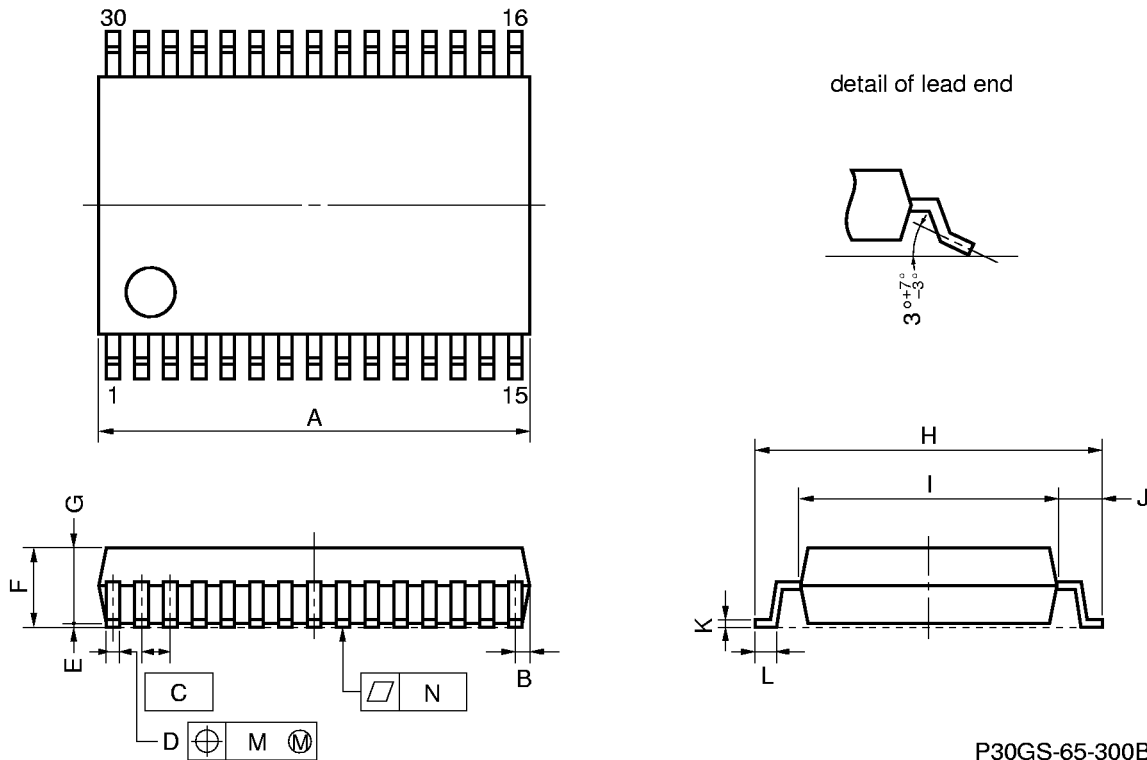
NOTES

- 1) Each lead centerline is located within 0.17 mm (0.007 inch) of its true position (T.P.) at maximum material condition.
- 2) Item "K" to center of leads when formed parallel.

ITEM	MILLIMETERS	INCHES
A	28.46 MAX.	1.121 MAX.
B	2.67 MAX.	0.106 MAX.
C	1.778 (T.P.)	0.070 (T.P.)
D	0.50±0.10	0.020 ^{+0.004} _{-0.005}
F	0.9 MIN.	0.035 MIN.
G	3.2±0.3	0.126±0.012
H	0.51 MIN.	0.020 MIN.
I	4.31 MAX.	0.170 MAX.
J	5.08 MAX.	0.200 MAX.
K	10.16 (T.P.)	0.400 (T.P.)
L	8.6	0.339
M	0.25 ^{+0.10} _{-0.05}	0.010 ^{+0.004} _{-0.003}
N	0.17	0.007
R	0~15°	0~15°

P28C-70-400A-1

30 PIN PLASTIC SHRINK SOP (300 mil)



NOTE

Each lead centerline is located within 0.10 mm (0.004 inch) of its true position (T.P.) at maximum material condition.

P30GS-65-300B-1

ITEM	MILLIMETERS	INCHES
A	10.11 MAX.	0.398 MAX.
B	0.51 MAX.	0.020 MAX.
C	0.65 (T.P.)	0.026 (T.P.)
D	0.30 ^{+0.10} _{-0.08}	0.012 ^{+0.004} _{-0.003}
E	0.125±0.075	0.005±0.003
F	2.0 MAX.	0.079 MAX.
G	1.7±0.1	0.067±0.004
H	8.1±0.2	0.319±0.008
I	6.1±0.2	0.240±0.008
J	1.0±0.2	0.039 ^{+0.008} _{-0.008}
K	0.15 ^{+0.10} _{-0.08}	0.006 ^{+0.004} _{-0.002}
L	0.5±0.2	0.020 ^{+0.008} _{-0.008}
M	0.10	0.004
N	0.10	0.004

APPENDIX A DEVELOPMENT TOOLS

The following development tools are available for developing systems using the μPD789101, μPD789102, and μPD789104.

LANGUAGE PROCESSING SOFTWARE

RA78K0S ^{Notes 1, 2, 3}	Assembler package common to the 78K/0S series
CC78K0S ^{Notes 1, 2, 3}	C compiler package common to the 78K/0S series
DF789134 ^{Notes 1, 2, 3, 7}	Device file for the μPD789134 sub-series
CC78K0S-L ^{Notes 1, 2, 3, 7}	C compiler library source file common to the 78K/0S series

FLASH MEMORY WRITE TOOLS

Flashpro II ^{Note 4}	Dedicated flash writer (formerly, Flashpro)
FA-28CT ^{Note 4}	Flash memory write adapter
Undetermined product name ^{Note 4}	

DEBUGGING TOOLS

ND-K910 ^{Notes 4, 7}	In-circuit emulator for the μPD789134 sub-series The ND-K910 incorporates the NS-78K9 screen debugger.
IF-98D ^{Note 4}	This is an interface board, required when a PC-9800 series (other than a notebook type) are used as the host machine for the ND-K910.
IF-PCD ^{Note 4}	This is an interface board, required when an IBM PC/AT or compatible (other than a notebook type) is used as the host machine for the ND-K910.
IF-CARD ^{Note 4}	This is an interface board, required when a PC-9800 notebook, IBM PC/AT notebook, or compatible is used as the host machine for the ND-K910.
NP-28CT ^{Note 4}	Emulator probe for the 28-pin plastic shrink DIP (CT type)
Undetermined product name ^{Note 4}	Emulator probe for the 30-pin plastic shrink SOP (GS type)
NJ-535 ^{Note 4}	100-/120-VAC adapter
NJ-550W ^{Note 4}	100- to 240-VAC adapter
SM78K0S ^{Notes 5, 6}	System simulator common to all 78K/0S series units
DF789134 ^{Notes 5, 6, 7}	Device file for the μPD789134 sub-series

REAL-TIME OS

MX78K0S ^{Notes 1, 2, 7}	OS for the 78K/0S series
----------------------------------	--------------------------

- Notes**
1. Based on the PC-9800 series (MS-DOS™)
 2. Based on the IBM PC/AT™ and compatibles (PC DOS™/IBM DOS™/MS-DOS)
 3. Based on the HP9000 series 700™ (HP-UX™), SPARCstation™ (SunOS™), and NEWS™ (NEWS-OS™)
 4. Product manufactured by and available from Naito Densai Machida Seisakusho Co., Ltd. (044-822-3813).
 5. Based on the PC-9800 series (MS-DOS + Windows™)
 6. Based on the IBM PC/AT and compatibles (PC DOS/IBM DOS/MS-DOS + Windows)
 7. Under development

Remark The RA78K0S, CC78K0S, and SM78K0S can be used in combination with the DF789134.

APPENDIX B RELATED DOCUMENTS

DOCUMENTS RELATED TO DEVICES

Document name	Document No.	
	Japanese	English
μPD789101, 789102, 789104 Preliminary Product Information	U12815J	This manual
μPD78F9116 Preliminary Product Information	To be created	To be created
μPD789134 Sub-Series User's Manual	To be created	To be created
78K/0S Series User's Manual, Instruction	U11047J	U11047E
78K/0S Series Instruction Summary Sheet	To be created	-
78K/0S Series Instruction Set	To be created	-

DOCUMENTS RELATED TO DEVELOPMENT TOOLS (USER'S MANUAL)

Document name		Document No.	
		Japanese	English
RA78K0S Assembler Package	Operation	U11622J	U11622E
	Assembly Language	U11599J	U11599E
	Structured Assembly Language	U11623J	U11623E
CC78K/0S C Compiler	Operation	U11816J	U11816E
	Language	U11817J	U11817E
SM78K0S System Simulator Windows Base	Reference	U11489J	U11489E
SM78K Series System Simulator	External Parts User Open Interface Specifications	U10092J	U10092E

DOCUMENTS RELATED TO SOFTWARE TO BE INCORPORATED INTO THE PRODUCT (USER'S MANUAL)

Document name	Document No.	
	Japanese	English
OS for 78K/0S Series MX78K0S	To be created	To be created

Caution The above documents may be revised without notice. Use the latest versions when you design application systems.

OTHER DOCUMENTS

Document name	Document No.	
	Japanese	English
IC PACKAGE MANUAL	C10943X	
SMD Surface Mount Technology Manual	C10535J	C10535E
Quality Grades on NEC Semiconductor Device	C11531J	C11531E
NEC Semiconductor Device Reliability/Quality Control System	C10983J	C10983E
Guide to Prevent Damage for Semiconductor Devices by Electrostatic Discharge (ESD)	C11892J	C11892E
Guide to Quality Assurance for Semiconductor Device	C11893J	MEI-1202
Guide for Products Related to Micro-Computer: Other Companies	U11416J	–

Caution The above documents may be revised without notice. Use the latest versions when you design application systems.

NOTES FOR CMOS DEVICES

① PRECAUTION AGAINST ESD FOR SEMICONDUCTORS

Note: Strong electric field, when exposed to a MOS device, can cause destruction of the gate oxide and ultimately degrade the device operation. Steps must be taken to stop generation of static electricity as much as possible, and quickly dissipate it once, when it has occurred. Environmental control must be adequate. When it is dry, humidifier should be used. It is recommended to avoid using insulators that easily build static electricity. Semiconductor devices must be stored and transported in an anti-static container, static shielding bag or conductive material. All test and measurement tools including work bench and floor should be grounded. The operator should be grounded using wrist strap. Semiconductor devices must not be touched with bare hands. Similar precautions need to be taken for PW boards with semiconductor devices on it.

② HANDLING OF UNUSED INPUT PINS FOR CMOS

Note: No connection for CMOS device inputs can be cause of malfunction. If no connection is provided to the input pins, it is possible that an internal input level may be generated due to noise, etc., hence causing malfunction. CMOS devices behave differently than Bipolar or NMOS devices. Input levels of CMOS devices must be fixed high or low by using a pull-up or pull-down circuitry. Each unused pin should be connected to V_{DD} or GND with a resistor, if it is considered to have a possibility of being an output pin. All handling related to the unused pins must be judged device by device and related specifications governing the devices.

③ STATUS BEFORE INITIALIZATION OF MOS DEVICES

Note: Power-on does not necessarily define initial status of MOS device. Production process of MOS does not define the initial operation status of the device. Immediately after the power source is turned ON, the devices with reset function have not yet been initialized. Hence, power-on does not guarantee out-pin levels, I/O settings or contents of registers. Device is not initialized until the reset signal is received. Reset operation must be executed immediately after power-on for devices having reset function.