



# LC35256D-10, LC35256DM, DT-70/10

**Dual Control Pins:  $\overline{OE}$  and  $\overline{CE}$   
256K (32768-word  $\times$  8-bit) SRAM**

## Overview

The LC35256D, LC35256DM, and LC35256DT are 32768-word  $\times$  8-bit asynchronous silicon gate CMOS static RAMs. These devices use a 6-transistor full CMOS memory cell, and feature low-voltage operation, low current drain, and an ultralow standby current. They provide two control signal inputs: an  $\overline{OE}$  input for high-speed access and a chip select ( $\overline{CE}$ ) input for device selection and low power operating mode. This makes these devices optimal for systems that require low power or battery backup, and they allow memory to be expanded easily. Their ultralow standby current allows capacitor-based backup to be used as well. Since they support 3-V operation, they are appropriate for use in portable systems that operate from batteries.

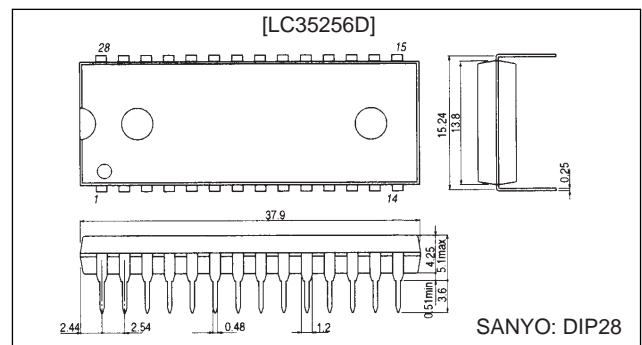
## Features

- Supply voltage range: 2.7 to 5.5 V
  - 5-V operation: 5.0 V  $\pm$ 10%
  - 3-V operation: 2.7 to 3.6 V
- Access times
  - 5-V operation
    - LC35256DM, DT-70: 70 ns (max)
    - LC35256D, DM, DT-10: 100 ns (max)
  - 3-V operation
    - LC35256DM, DT-70: 200 ns (max)
    - LC35256D, DM, DT-10: 500 ns (max)
- Standby current
  - 5-V operation: 1.0  $\mu$ A ( $T_a \leq 60^\circ\text{C}$ ),  
5.0  $\mu$ A ( $T_a \leq 85^\circ\text{C}$ )
  - 3-V operation: 0.8  $\mu$ A ( $T_a \leq 60^\circ\text{C}$ ),  
4.0  $\mu$ A ( $T_a \leq 85^\circ\text{C}$ )
- Operating temperature range:  $-40$  to  $+85^\circ\text{C}$
- Data retention supply voltage: 2.0 to 5.5 V
- All I/O levels
  - 5-V operation: TTL compatible
  - 3-V operation:  $V_{CC} - 0.2$  V/0.2 V
- Shared I/O pins and 3-state outputs
- No clock signal required.
- Packages
  - 28-pin DIP (600 mil) plastic package: LC35256D
  - 28-pin SOP (450 mil) plastic package: LC35256DM
  - 28-pin TSOP (8  $\times$  13.4 mm) plastic package: LC35256DT

## Package Dimensions

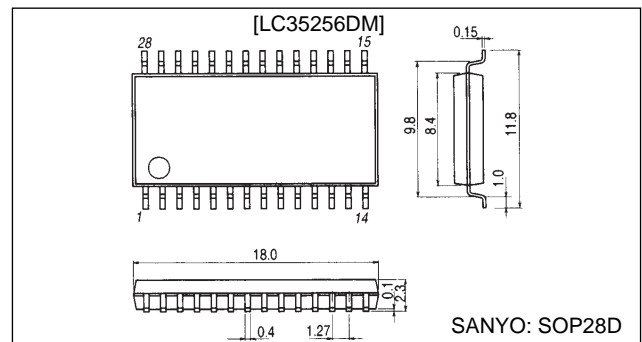
unit: mm

### 3012A-DIP28



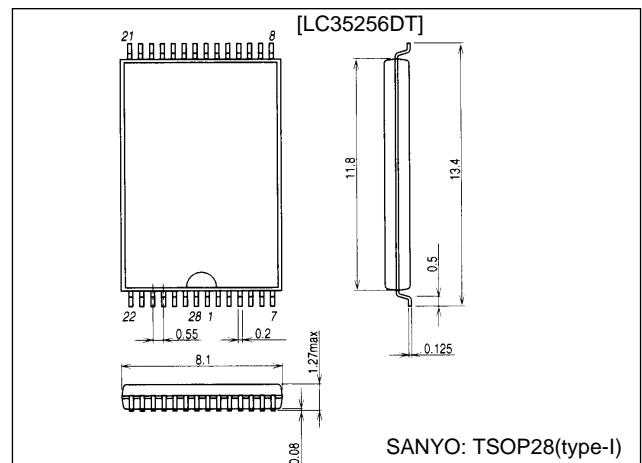
unit: mm

### 3187-SOP28D



unit: mm

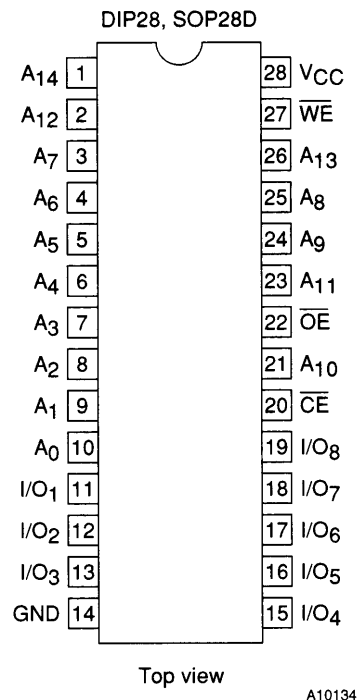
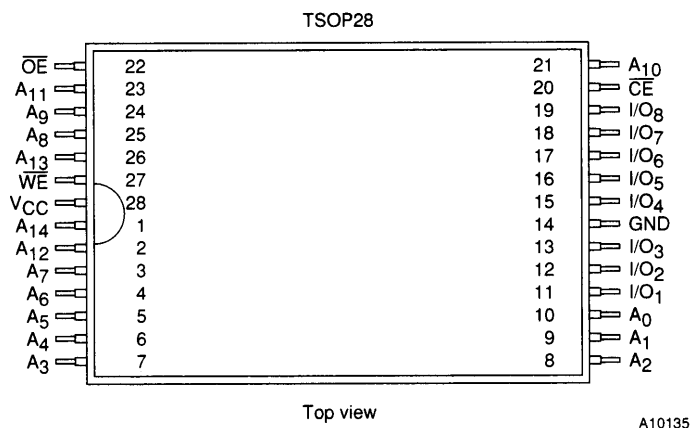
### 3221-TSOP28(type-I)



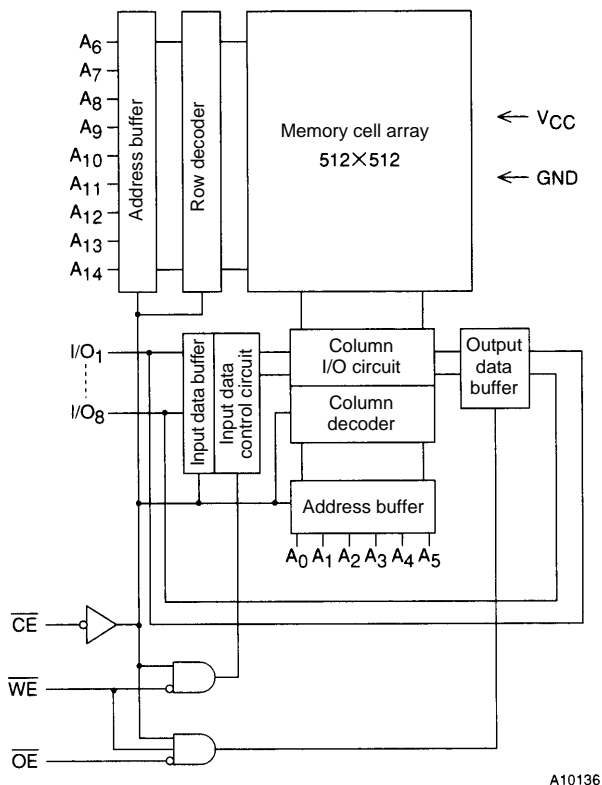
**SANYO Electric Co., Ltd. Semiconductor Business Headquarters**

TOKYO OFFICE Tokyo Bldg., 1-10, 1 Chome, Ueno, Taito-ku, TOKYO, 110-8534 JAPAN

Pin Assignment



Block Diagram



Pin Functions

A0 to A14	Address inputs
$\overline{WE}$	Read/write control input
$\overline{OE}$	Output enable input
$\overline{CE}$	Chip enable input
I/O1 to I/O8	Data I/O
VCC, GND	Power supply, ground

## Function Table

Mode	$\overline{CE}$	$\overline{OE}$	$\overline{WE}$	I/O	Supply current
Read cycle	L	L	H	Data output	$I_{CCA}$
Write cycle	L	X	L	Data input	$I_{CCA}$
Output disable	L	H	H	High-impedance	$I_{CCA}$
Unselected	H	X	X	High-impedance	$I_{CCS}$

X : H or L

## Specifications

### Absolute Maximum Ratings

Parameter	Symbol	Conditions	Ratings	Unit
Maximum supply voltage	$V_{CC}$ max		7.0	V
Input pin voltage	$V_{IN}$		-0.3* to $V_{CC} + 0.3$	V
I/O pin voltage	$V_{I/O}$		-0.3 to $V_{CC} + 0.3$	V
Operating temperature	$T_{opr}$		-40 to +85	°C
Storage temperature	$T_{stg}$		-55 to +125	°C

Note \*: -3.0 V for pulse widths of up to 30 ns.

### I/O Capacitances at $T_a = 25^\circ\text{C}$ , $f = 1\text{ MHz}$

Parameter	Symbol	Conditions	Ratings			Unit
			min	typ	max	
I/O pin capacitance	$C_{I/O}$	$V_{I/O} = 0\text{ V}$		6	10	pF
Input pin capacitance	$C_{IN}$	$V_{IN} = 0\text{ V}$		6	10	pF

Note: These parameters are not measured in all units, but rather are only measured in sampled units.

### [5-V Operation]

#### DC Allowable Operating Ranges at $T_a = -40$ to $+85^\circ\text{C}$ , $V_{CC} = 4.5$ to $5.5\text{ V}$

Parameter	Symbol	Conditions	Ratings			Unit
			min	typ	max	
Supply voltage	$V_{CC}$		4.5	5.0	5.5	V
Input voltages	$V_{IH}$		2.2		$V_{CC} + 0.3$	V
	$V_{IL}$		-0.3*		+0.8	V

Note \*: -3.0 V for pulse widths of up to 30 ns.

#### DC Electrical Characteristics at $T_a = -40$ to $+85^\circ\text{C}$ , $V_{CC} = 4.5$ to $5.5\text{ V}$

Parameter	Symbol	Conditions	Ratings			Unit		
			min	typ*	max			
Input leakage current	$I_{LI}$	$V_{IN} = 0$ to $V_{CC}$	-1.0		+1.0	$\mu\text{A}$		
Output leakage current	$I_{LO}$	$V_{\overline{CE}} = V_{IH}$ or $V_{\overline{OE}} = V_{IH}$ or $V_{\overline{WE}} = V_{IL}$ , $V_{I/O} = 0$ to $V_{CC}$	-1.0		+1.0	$\mu\text{A}$		
High-level output voltage	$V_{OH}$	$I_{OH} = -1.0\text{ mA}$	2.4			V		
Low-level output voltage	$V_{OL}$	$I_{OL} = 2.0\text{ mA}$			0.4	V		
Operating current drain	TTL inputs	$I_{CCA2}$	$V_{\overline{CE}} = V_{IL}$ , $I_{I/O} = 0\text{ mA}$ , $V_{IN} = V_{IH}$ or $V_{IL}$		5.0	mA		
		$I_{CCA3}$	$V_{\overline{CE}} = V_{IL}$ , $V_{IN} = V_{IH}$ or $V_{IL}$ , $I_{I/O} = 0\text{ mA}$ , Duty 100%	min	LC35256DM, DT-70	35	40	mA
				cycle	LC35256D, DM, DT-10	25	30	mA
		1 $\mu\text{s}$ cycle			3.5	6.0	mA	
Standby mode current drain	$V_{CC} - 0.2\text{ V}$ / 0.2 V inputs	$I_{CCS1}$	$V_{\overline{CE}} \geq V_{CC} - 0.2\text{ V}$ , $V_{IN} = 0$ to $V_{CC}$	$T_a \leq 25^\circ\text{C}$	0.01		$\mu\text{A}$	
				$T_a \leq 60^\circ\text{C}$			1.0	$\mu\text{A}$
				$T_a \leq 85^\circ\text{C}$			5.0	$\mu\text{A}$
	TTL inputs	$I_{CCS2}$	$V_{\overline{CE}} = V_{IH}$ , $V_{IN} = 0$ to $V_{CC}$			1.0	mA	

Note \*: Reference value at  $T_a = 25^\circ\text{C}$ ,  $V_{CC} = 5\text{ V}$ .

## LC35256D-10, LC35256DM, DT-70/10

### AC Electrical Characteristics at $T_a = -40$ to $+85^\circ\text{C}$ , $V_{CC} = 4.5$ to $5.5$ V

AC test conditions		
Input pulse voltage level	$V_{IH} = 2.4$ V, $V_{IL} = 0.6$ V	
Input rise and fall times	5 ns	
Input and output timing level	1.5 V	
Output load	LC35256DM, DT-70	One TTL gate + 30 pF (Including jig capacitances.)
	LC35256D, DM, DT-10	One TTL gate + 100 pF (Including jig capacitances.)

### Read Cycle

Parameter	Symbol	LC35256D, DM, DT				Unit
		-70*		-10		
		min	max	min	max	
Read cycle time	$t_{RC}$	70		100		ns
Address access time	$t_{AA}$		70		100	ns
$\overline{CE}$ access time	$t_{CA}$		70		100	ns
$\overline{OE}$ access time	$t_{OA}$		35		50	ns
Output hold time	$t_{OH}$	10		10		ns
$\overline{CE}$ output enable time	$t_{COE}$	10		10		ns
$\overline{OE}$ output enable time	$t_{OOE}$	5		5		ns
$\overline{CE}$ output disable time	$t_{COD}$		30		30	ns
$\overline{OE}$ output disable time	$t_{OOD}$		25		25	ns

Note \*: Specification values for the LC35256DM and LC35256DT.

### Write Cycle

Parameter	Symbol	LC35256D, DM, DT				Unit
		-70*		-10		
		min	max	min	max	
Write cycle time	$t_{WC}$	70		100		ns
Address setup time	$t_{AS}$	0		0		ns
Write pulse width	$t_{WP}$	55		60		ns
$\overline{CE}$ setup time	$t_{CW}$	60		70		ns
Write recovery time	$t_{WR}$	0		0		ns
$\overline{CE}$ write recovery time	$t_{WR1}$	0		0		ns
Data setup time	$t_{DS}$	35		40		ns
Data hold time	$t_{DH}$	0		0		ns
$\overline{CE}$ data hold time	$t_{DH1}$	0		0		ns
$\overline{WE}$ output enable time	$t_{WOE}$	5		5		ns
$\overline{WE}$ output disable time	$t_{WOD}$		30		30	ns

Note \*: Specification values for the LC35256DM and LC35256DT.

### [3-V Operation]

#### DC Allowable Operating Ranges at $T_a = -40$ to $+85^\circ\text{C}$ , $V_{CC} = 2.7$ to $3.6$ V

Parameter	Symbol	Conditions	Ratings			Unit
			min	typ	max	
Supply voltage	$V_{CC}$		2.7	3.0	3.6	V
Input voltages	$V_{IH}$		$V_{CC} - 0.2$		$V_{CC} + 0.3$	V
	$V_{IL}$		-0.3*		+0.2	V

Note \*: -2.0 V for pulse widths of up to 30 ns.

## LC35256D-10, LC35256DM, DT-70/10

### DC Electrical Characteristics at $T_a = -40$ to $+85^\circ\text{C}$ , $V_{CC} = 2.7$ to $3.6$ V

Parameter	Symbol	Conditions	Ratings			Unit		
			min	typ*	max			
Input leakage current	$I_{LI}$	$V_{IN} = 0$ to $V_{CC}$	-1.0		+1.0	$\mu\text{A}$		
Output leakage current	$I_{LO}$	$\overline{V_{CE}} = V_{IH}$ or $\overline{V_{OE}} = V_{IH}$ or $\overline{V_{WE}} = V_{IL}$ , $V_{I/O} = 0$ to $V_{CC}$	-1.0		+1.0	$\mu\text{A}$		
High-level output voltage	$V_{OH}$	$I_{OH} = -0.5$ mA	$V_{CC} - 0.2$			V		
Low-level output voltage	$V_{OL}$	$I_{OL} = 1.0$ mA			0.2	V		
Operating current drain	$V_{CC} - 0.2$ V / 0.2 V inputs	$I_{CCA4}$	$\overline{V_{CE}} = V_{IL}$ , $V_{IN} = V_{IH}$ or $V_{IL}$ , $I_{I/O} = 0$ mA, Duty 100%	min	LC35256DM, DT-70	7	10	mA
				cycle	LC35256D, DM, DT-10	3	5	mA
				1 $\mu\text{s}$ cycle		1.5	2.5	mA
Standby mode current drain	$V_{CC} - 0.2$ V / 0.2 V inputs	$I_{CCS1}$	$\overline{V_{CE}} \geq V_{CC} - 0.2$ V, $V_{IN} = 0$ to $V_{CC}$	$T_a \leq 25^\circ\text{C}$		0.01		$\mu\text{A}$
				$T_a \leq 60^\circ\text{C}$			0.8	$\mu\text{A}$
				$T_a \leq 85^\circ\text{C}$			4.0	$\mu\text{A}$

Note \*: Reference value at  $T_a = 25^\circ\text{C}$ ,  $V_{CC} = 3$  V.

### AC Electrical Characteristics at $T_a = -40$ to $+85^\circ\text{C}$ , $V_{CC} = 2.7$ to $3.6$ V

AC test conditions		
Input pulse voltage level	$V_{IH} = V_{CC} - 0.2$ V, $V_{IL} = 0.2$ V	
Input rise and fall times	10 ns	
Input and output timing level	1.5 V	
Output load	LC35256DM, DT-70	30 pF (Including jig capacitances.)
	LC35256D, DM, DT-10	100 pF (Including jig capacitances.)

### Read Cycle

Parameter	Symbol	LC35256D, DM, DT				Unit
		-70*		-10		
		min	max	min	max	
Read cycle time	$t_{RC}$	200		500		ns
Address access time	$t_{AA}$		200		500	ns
$\overline{CE}$ access time	$t_{CA}$		200		500	ns
$\overline{OE}$ access time	$t_{OA}$		100		250	ns
Output hold time	$t_{OH}$	20		20		ns
$\overline{CE}$ output enable time	$t_{COE}$	20		20		ns
$\overline{OE}$ output enable time	$t_{OOE}$	10		10		ns
$\overline{CE}$ output disable time	$t_{COD}$		60		120	ns
$\overline{OE}$ output disable time	$t_{OOD}$		50		100	ns

Note \*: Specification values for the LC35256DM and LC35256DT.

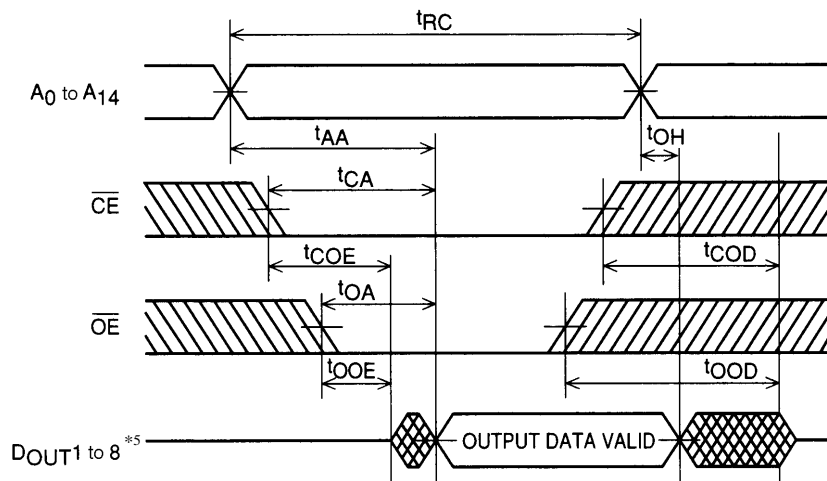
**Write Cycle**

Parameter	Symbol	LC35256D, DM, DT				Unit
		-70*		-10		
		min	max	min	max	
Write cycle time	$t_{WC}$	200		500		ns
Address setup time	$t_{AS}$	0		0		ns
Write pulse width	$t_{WP}$	140		200		ns
$\overline{CE}$ setup time	$t_{CW}$	150		250		ns
Write recovery time	$t_{WR}$	0		0		ns
$\overline{CE}$ write recovery time	$t_{WR1}$	0		0		ns
Data setup time	$t_{DS}$	130		180		ns
Data hold time	$t_{DH}$	0		0		ns
$\overline{CE}$ data hold time	$t_{DH1}$	0		0		ns
$\overline{WE}$ output enable time	$t_{WOE}$	10		10		ns
$\overline{WE}$ output disable time	$t_{WOD}$		60		120	ns

Note \*: Specification values for the LC35256DM and LC35256DT.

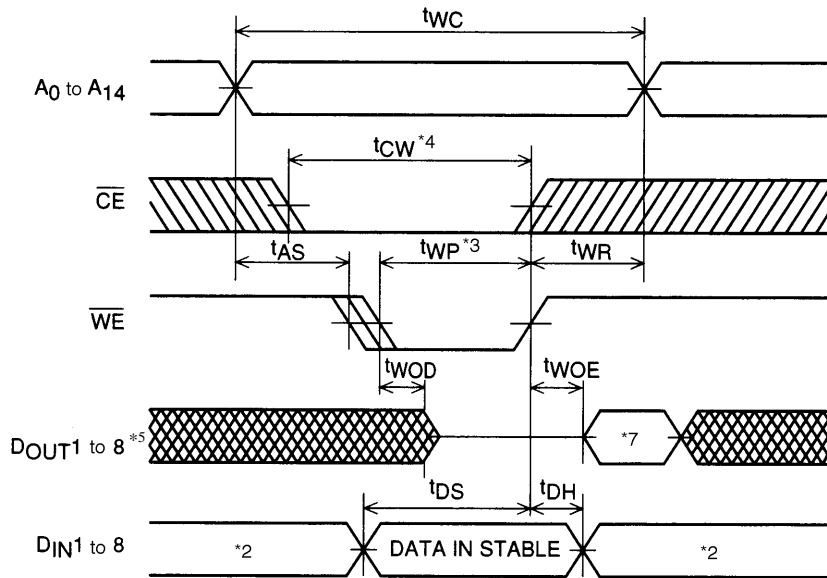
**Timing Charts**

Read Cycle \*1



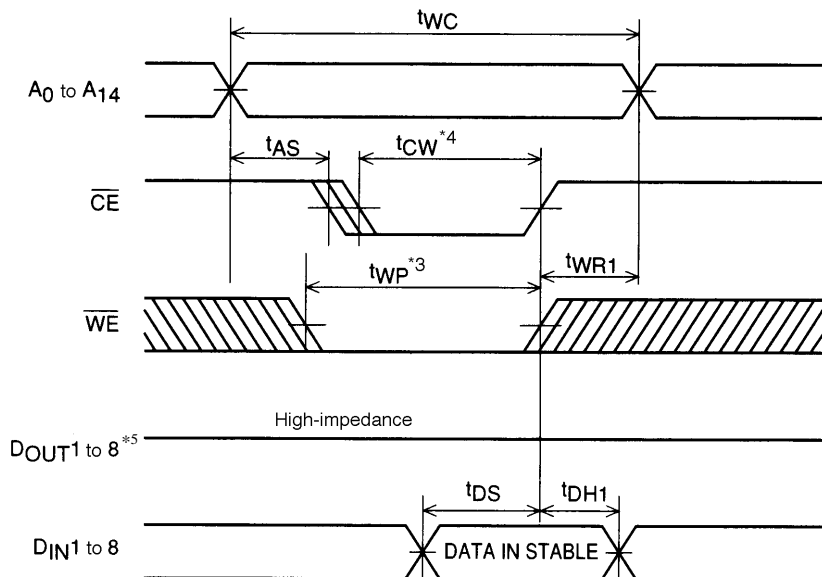
A10137

Write Cycle 1 ( $\overline{WE}$  write) \*6



A10138

Write Cycle 2 ( $\overline{CE}$  write) \*6



A10139

- Notes:
- Applications must set  $\overline{WE}$  high during the read cycle.
  - External circuits in the application must not apply reverse phase signals to the  $D_{OUT}$  pins when those pins are in the output state.
  - The time  $t_{WP}$  is the period when  $\overline{CE}$  and  $\overline{WE}$  are both low. It is defined as the time from the fall of  $\overline{WE}$  to the rise of  $\overline{CE}$  or the rise of  $\overline{WE}$ , whichever occurs first.
  - The time  $t_{CW}$  is the period when  $\overline{CE}$  and  $\overline{WE}$  are both low. It is defined as the time from the fall of  $\overline{CE}$  to the rise of  $\overline{CE}$  or the rise of  $\overline{WE}$ , whichever occurs first.
  - The data outputs ( $D_{OUT}$ ) go to the high-impedance state if any one of the following conditions hold:  $\overline{OE}$  is high,  $\overline{CE}$  is high, or  $\overline{WE}$  is low.
  - $\overline{OE}$  must be held either high or low during the write cycle.
  - The  $D_{OUT}$  pins have the same phase as the write cycle write data.

**Notes on Circuit Design**

Take the following operations into account when designing circuits that use these products to assure that none of the items in the maximum ratings are exceeded.

- Supply voltage variations and fluctuations
- Manufacturing variations in the electrical characteristics of the electrical components, including semiconductor devices, resistors, and capacitors.
- Ambient temperature
- Variations and fluctuations in the input and clock signals
- Possible application of abnormal pulses

Parameters listed in the allowable operating ranges must never exceed their stipulated ranges.

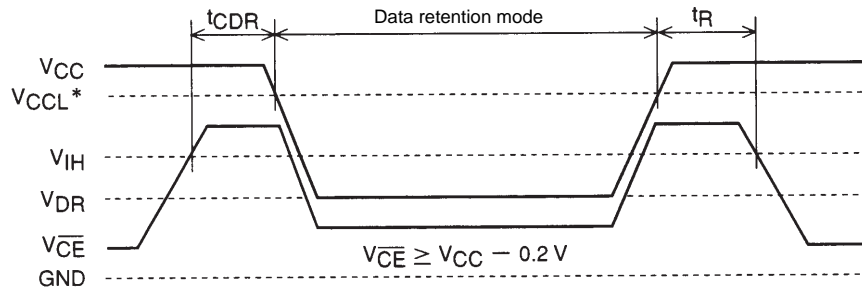
If input pins to a CMOS IC are left open, through currents may occur in internal circuits to which intermediate potentials are input and result in incorrect circuit operation. Always verify that any unused pins are set up in appropriate states.

**Data Retention Characteristics at Ta = -40 to +85°C**

Parameter	Symbol	Conditions	Ratings			Unit
			min	typ*1	max	
Data retention supply voltage	V <sub>DR</sub>	V <sub>CE</sub> ≥ V <sub>CC</sub> - 0.2 V	2.0		5.5	V
Data retention current drain	I <sub>CCDR</sub>	V <sub>CC</sub> = 3.0 V, V <sub>CE</sub> ≥ V <sub>CC</sub> - 0.2 V		0.01		μA
			Ta ≤ 25°C			
			Ta ≤ 60°C		0.7	
		Ta ≤ 85°C		3.5		μA
Chip enable setup time	t <sub>CDR</sub>		0			ns
Chip enable hold time	t <sub>R</sub>		t <sub>RC</sub> *2			ns

Notes: 1. Reference value at Ta = 25°C, V<sub>CC</sub> = 3 V.  
2. t<sub>RC</sub>: Read cycle time

**Data Retention Waveforms**



Note \*: V<sub>CC</sub> 5-V operation: 4.5 V  
3-V operation: 2.7 V

A10140

■ No products described or contained herein are intended for use in surgical implants, life-support systems, aerospace equipment, nuclear power control systems, vehicles, disaster/crime-prevention equipment and the like, the failure of which may directly or indirectly cause injury, death or property loss.

■ Anyone purchasing any products described or contained herein for an above-mentioned use shall:

- ① Accept full responsibility and indemnify and defend SANYO ELECTRIC CO., LTD., its affiliates, subsidiaries and distributors and all their officers and employees, jointly and severally, against any and all claims and litigation and all damages, cost and expenses associated with such use:
- ② Not impose any responsibility for any fault or negligence which may be cited in any such claim or litigation on SANYO ELECTRIC CO., LTD., its affiliates, subsidiaries and distributors or any of their officers and employees jointly or severally.

■ Information (including circuit diagrams and circuit parameters) herein is for example only; it is not guaranteed for volume production. SANYO believes information herein is accurate and reliable, but no guarantees are made or implied regarding its use or any infringements of intellectual property rights or other rights of third parties.

This catalog provides information as of May, 1998. Specifications and information herein are subject to change without notice.