

LRS1302

Stacked Chip

8M Flash and 1M SRAM

(Model No.: LRS13023)

Spec No.: EL116039

Issue Date: June 11, 1999

- Handle this document carefully for it contains material protected by international copyright law. Any reproduction, full or in part, of this material is prohibited without the express written permission of the company.

- When using the products covered herein, please observe the conditions written herein and the precautions outlined in the following paragraphs. In no event shall the company be liable for any damages resulting from failure to strictly adhere to these conditions and precautions.
 - (1) The products covered herein are designed and manufactured for the following application areas. When using the products covered herein for the equipment listed in Paragraph (2), even for the following application areas, be sure to observe the precautions given in Paragraph (2). Never use the products for the equipment listed in Paragraph (3).
 - Office electronics
 - Instrumentation and measuring equipment
 - Machine tools
 - Audiovisual equipment
 - Home appliances
 - Communication equipment other than for trunk lines

 - (2) Those contemplating using the products covered herein for the following equipment which demands high reliability, should first contact a sales representative of the company and then accept responsibility for incorporating into the design fail-safe operation, redundancy, and other appropriate measures for ensuring reliability and safety of the equipment and the overall system.
 - Control and safety devices for airplanes, trains, automobiles, and other transportation equipment
 - Mainframe computers
 - Traffic control systems
 - Gas leak detectors and automatic cutoff devices
 - Rescue and security equipment
 - Other safety devices and safety equipment, etc.

 - (3) Do not use the products covered herein for the following equipment which demands extremely high performance in terms of functionality, reliability, or accuracy.
 - Aerospace equipment
 - Communications equipment for trunk lines
 - Control equipment for the nuclear power industry
 - Medical equipment related to life support, etc.

 - (4) Please direct all queries and comments regarding the interpretation of the above three Paragraphs to a sales representative of the company.

- Please direct all queries regarding the products covered herein to a sales representative of the company.

Part 1 Overview

1. Description

The LRS1302 is a combination memory organized as 1,048,576×8 bit flash memory and 131,072×8 bit static RAM in one package.

It is fabricated using silicon-gate CMOS process technology.

Features

○ Access Time

Flash memory access time	130 ns Max.
SRAM access time	70 ns Max.

○ Operating current

Flash memory Read	12 mA Max. ($t_{CYCLE}=200ns$)
Byte write	57 mA Max.
Block erase	37 mA Max.
SRAM Operating	25 mA Max. ($t_{CYCLE}=200ns$)

○ Standby current

Flash memory	20 μ A Max. ($F-\overline{CE} \geq F-V_{CC}-0.2V$, $\overline{RP} \leq 0.2V$, $F-V_{pp} \leq 0.2V$)
SRAM	30 μ A Max. ($S-\overline{CE} \geq S-V_{CC}-0.2V$)
	0.7 μ A Typ. ($T_a=25^\circ C$, $S-V_{CC}=3V$, $S-\overline{CE} \geq S-V_{CC}-0.2V$)

(Total standby current is the summation of Flash memory's standby current and SRAM's one.)

○ Power supply	2.7V to 3.6V (Read/SRAM write)
		2.7V to 3.6V (FLASH erase/Write)($T_a=0$ to $85^\circ C$)

○ SRAM data retention voltage	2.0 V Min.
○ Operating temperature	-40 $^\circ C$ to +85 $^\circ C$

○ Fully static operation

○ Three-state output

○ Not designed or rated as radiation hardened

○ 40 pin TSOP (TSOP40-P-0813) plastic package

○ Flash memory has P-type bulk silicon, and SRAM has N-type bulk silicon.

Part 1 Overview

1. Description

The LRS1302 is a combination memory organized as 1,048,576×8 bit flash memory and 131,072×8 bit static RAM in one package.

It is fabricated using silicon-gate CMOS process technology.

Features

○ Access Time

Flash memory access time	130 ns Max.
SRAM access time	70 ns Max.

○ Operating current

Flash memory Read	12 mA Max. (t _{CYCLE} =200ns)
Byte write	57 mA Max.
Block erase	37 mA Max.
SRAM Operating	25 mA Max. (t _{CYCLE} =200ns)

○ Standby current

Flash memory	20 μA Max. (F-CE ≥ F-V _{CC} -0.2V, RP ≤ 0.2V, F-V _{pp} ≤ 0.2V)
SRAM	30 μA Max. (S-CE ≥ S-V _{CC} -0.2V)
	0.7 μA Typ. (T _a =25°C, S-V _{CC} =3V, S-CE ≥ S-V _{CC} -0.2V)

(Total standby current is the summation of Flash memory's standby current and SRAM's one.)

○ Power supply	2.7V to 3.6V (Read/SRAM write)
		2.7V to 3.6V (FLASH erase/Write)(T _a =0 to 85°C)

○ SRAM data retention voltage	2.0 V Min.
○ Operating temperature	-40°C to +85°C

○ Fully static operation

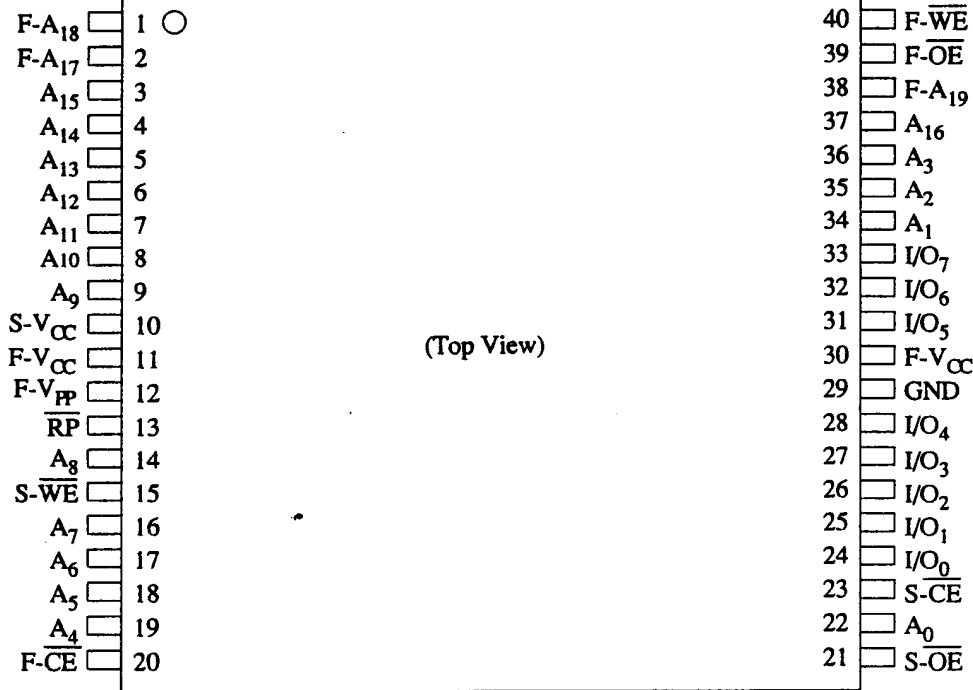
○ Three-state output

○ Not designed or rated as radiation hardened

○ 40 pin TSOP (TSOP40-P-0813) plastic package

○ Flash memory has P-type bulk silicon, and SRAM has N-type bulk silicon.

2.Pin Configuration



PIN	DESCRIPTION
A ₀ to A ₁₆	Common Address Input Pins
F-A ₁₇ to F-A ₁₉	Address Input Pins for Flash Memory
F- \overline{CE}	Chip Enable Input Pin for Flash Memory
S- \overline{CE}	Chip Enable Input Pin for SRAM
F- \overline{WE}	Write Enable Input Pin for Flash Memory
S- \overline{WE}	Write Enable Input Pin for SRAM
F- \overline{OE}	Output Enable Input Pin for Flash Memory
S- \overline{OE}	Output Enable Input Pin for SRAM
I/O ₀ to I/O ₇	Common Data Input/Output Pins
RP	Reset/Deep Power Down Input Pin for Flash Memory
F-V _{CC}	Power Supply Pin for Flash Memory
F-V _{PP}	Power Supply Pin for Flash Memory Write/Erase
S-V _{CC}	Power Supply Pin for SRAM
GND	Common GND

3. Notes

This product is a stacked TSOP package that a 1,048,576×8 bit Flash Memory and a 131,072×8 bit SRAM are assembled into.

POWER SUPPLY AND CHIP ENABLE OF FLASH MEMORY AND SRAM

It is forbidden that both $\overline{F-CE}$ and $\overline{S-CE}$ should be LOW simultaneously. If the two memories are active together, possibly they may not operate normally by interference noises or data collision on I/O bus.

Both $F-V_{CC}$ and $S-V_{CC}$ are needed to be applied by the recommended supply voltage at the same time except SRAM data retention mode.

SUPPLY POWER

Maximum difference (between $F-V_{CC}$ and $S-V_{CC}$) of the voltage is less than -0.3V.

SRAM DATA RETENTION

SRAM data retention is capable in three ways as below. SRAM power switching between a system battery and a backup battery needs careful device decoupling from Flash Memory to prevent SRAM supply voltage from falling lower than 2.0V by a Flash Memory peak current caused by transition of Flash Memory supply voltage or of control signals ($\overline{F-CE}$, $\overline{F-OE}$ and \overline{RP}).

CASE 1: FLASH MEMORY IS IN STANDBY MODE. ($F-V_{CC}=2.7V$ to 3.6V)

- SRAM inputs and input/outputs except $\overline{S-CE}$ are needed to be applied with voltages in the range of -0.3V to $S-V_{CC}+0.3V$ or to be open(High-Z).
- Flash Memory inputs and input/outputs except $\overline{F-CE}$ and \overline{RP} are needed to be applied with voltages in the range of -0.3V to $S-V_{CC}+0.3V$ or to be open(High-Z).

CASE 2: FLASH MEMORY IS IN DEEP POWER DOWN MODE. ($F-V_{CC}=2.7V$ to 3.6V)

- SRAM inputs and input/outputs except $\overline{S-CE}$ are needed to be applied with voltages in the range of -0.3V to $S-V_{CC}+0.3V$ or to be open.
- Flash Memory inputs and input/outputs except \overline{RP} are needed to be applied with voltages in the range of -0.3V to $S-V_{CC}+0.3V$ or to be open(High-Z). \overline{RP} is needed to be at the same level as $F-V_{CC}$ or to be open.

CASE 3: FLASH MEMORY POWER SUPPLY IS TURNED OFF. ($F-V_{CC}=0V$)

- Fix \overline{RP} LOW level before turning off Flash memory power supply.
- SRAM inputs and input/outputs except $\overline{S-CE}$ are needed to be applied with voltages in the range of -0.3V to $S-V_{CC}+0.3V$ or to be open(High-Z).
- Flash Memory inputs and input/outputs except \overline{RP} are needed to be at GND or to be open(High-Z).

POWER UP SEQUENCE

When turning on Flash memory power supply, keep \overline{RP} LOW. After $F-V_{CC}$ reaches over 2.7V, keep \overline{RP} LOW for more than 100nsec.

DEVICE DECOUPLING

The power supply is needed to be designed carefully because one of the SRAM and the Flash Memory is in standby mode when the other is active. A careful decoupling of power supplies is necessary between SRAM and Flash Memory. Note peak current caused by transition of control signals.

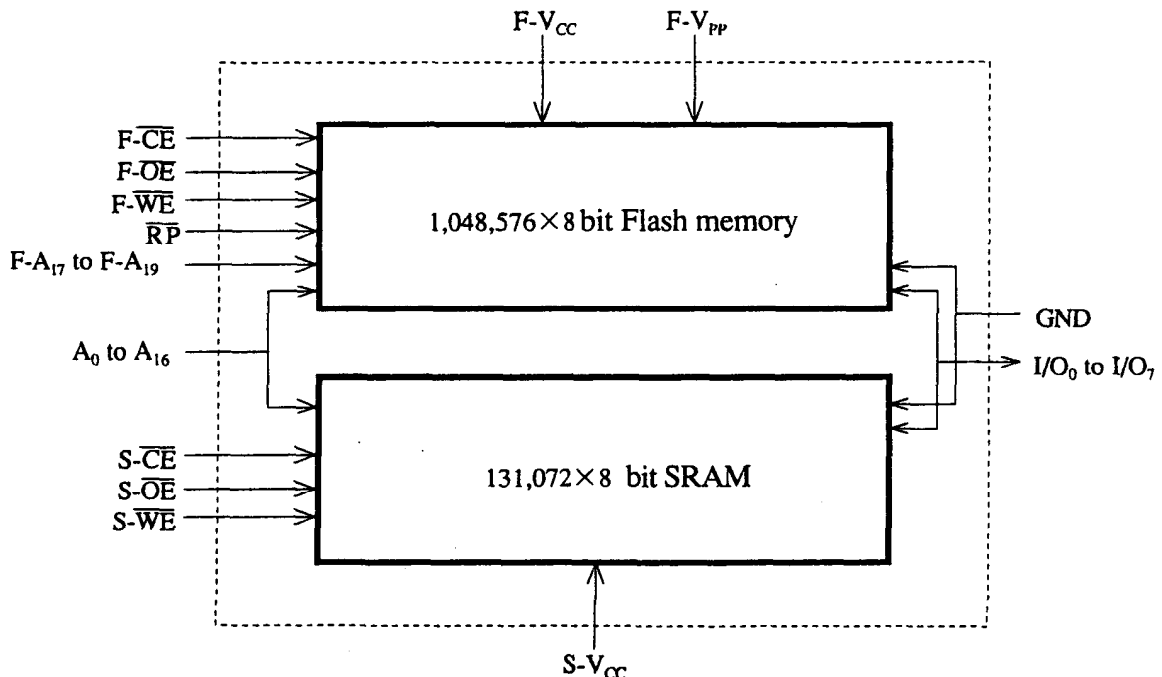
4. Truth table(*1,3)

F- \overline{CE}	F- \overline{OE}	F- \overline{WE}	\overline{RP}	S- \overline{CE}	S- \overline{OE}	S- \overline{WE}	Address	Mode	I/O ₀ to I/O ₇	Current	Note
L	L	H	H	H	X	X	X	Flash read	Output	I _{CC}	*2,7
L	H	H	H	H	X	X	X	Flash read	High-Z	I _{CC}	*4
L	H	L	H	H	X	X	X	Flash write	Input	I _{CC}	*5,6,7
H	X	X	X	L	L	H	X	SRAM read	Output	I _{CC}	
H	X	X	X	L	H	H	X	SRAM read	High-Z	I _{CC}	
H	X	X	X	L	X	L	X	SRAM write	Input	I _{CC}	
H	X	X	H	H	X	X	X	Standby	High-Z	I _{SB}	
H	X	X	L	H	X	X	X	Deep power down	High-Z	I _{SB}	*4

Notes:

- * 1. Do not make F- \overline{CE} and S- \overline{CE} "LOW" level at the same time.
- * 2. Refer to DC Characteristics. When F-V_{PP} ≤ V_{PP1,K}, memory contents can be read, but not altered.
- * 3. X can be V_{II}, or V_{III} for control pins and addresses, and V_{PP1,K} or V_{PP11} for F-V_{PP}. See DC Characteristics for V_{PP1,K} and V_{PP11} voltages.
- * 4. \overline{RP} at GND ± 0.2V ensures the lowest deep power-down current.
- * 5. Command writes involving block erase, write, or lock-bit configuration are reliably executed when F-V_{PP} = V_{PP11} and F-V_{CC} = V_{CC2}. Block erase, byte write, or lock-bit configuration with V_{CC} < 3.0V or V_{III} < \overline{RP} < V_{III1} produce spurious results and should not be attempted.
- * 6. Refer to Part 2 Section 3 Table 4 for valid DIN during a write operation.
- * 7. Do not use in a timing that both F- \overline{OE} and F- \overline{WE} is "LOW" level.

5. Block Diagram



The contents described in Part 1 take first priority over Part 2 and Part 3.

6. Absolute Maximum Ratings

Parameter	Symbol	Ratings	Unit
Supply voltage(*8,9)	V_{CC}	-0.2 to +4.6	V
Input voltage(*8,10)	V_{IN}	-0.3 (*11) to $V_{CC}+0.3$	V
Operating temperature	T_{opr}	-40 to +85	°C
Storage temperature	T_{stg}	-65 to +125	°C
V_{PP} voltage(*8)	$F-V_{PP}$	-0.2 to +12.6 (*12)	V
Input voltage(*8)	\overline{RP}	-0.5 (*11) to +12.6 (*12)	V

Notes) *8. The maximum applicable voltage on any pin with respect to GND.

*9. Except V_{PP} .

*10. Except \overline{RP} .

*11. -2.0V undershoot is allowed when the pulse width is less than 20nsec.

*12. +14.0V overshoot is allowed when the pulse width is less than 20nsec.

7. Recommended DC Operating Conditions

($T_a = -40^\circ\text{C}$ to $+85^\circ\text{C}$)

Parameter	Symbol	Min.	Typ.	Max.	Unit
Supply voltage	V_{CC}	2.7	3.0	3.6	V
Input voltage	V_{IH}	2.2		$V_{CC}+0.3$ (*15)	V
	V_{IL}	-0.3 (*13)		0.4	V
	V_{HH} (*14)	11.4		12.6	

Notes) *13. -2.0V undershoot is allowed when the pulse width is less than 20nsec.

*14. This voltage is applicable to \overline{RP} Pin only.

*15. V_{CC} is the lower one of S- V_{CC} and F- V_{CC} .

8. Pin Capacitance

($T_a = 25^\circ\text{C}$, $f = 1\text{MHz}$)

Parameter	Symbol	Condition	Min.	Typ.	Max.	Unit
Input capacitance	C_{IN}	$V_{IN}=0\text{V}$			18	pF
I/O capacitance	C_{IO}	$V_{IO}=0\text{V}$			22	pF

Note) *16. Sampled but not 100% tested

Part2 Flash memory
CONTENTS

	PAGE		PAGE
1. INTRODUCTION	9	4.10 Clear Block Lock-Bits Command.....	20
1.1 New Features	9	5. DESIGN CONSIDERATIONS	28
1.2 Product Overview	9	5.1 Three-Line Output Control	28
2. PRINCIPLES OF OPERATION.....	12	5.2 Power Supply Decoupling.....	28
2.1 Data Protection	12	5.3 V_{PP} Trace on Printed Circuit Boards.....	28
3. BUS OPERATION.....	13	5.4 V_{CC} , V_{PP} , \overline{RP} Transitions	29
3.1 Read	13	5.5 Power-Up/Down Protection.....	29
3.2 Output Disable	13	5.6 Power Dissipation.....	29
3.3 Standby	13	6. ELECTRICAL SPECIFICATIONS	30
3.4 Deep Power-Down.....	13	6.1 Absolute Maximum Ratings.....	30
3.5 Read Identifier Codes Operation	14	6.2 Operating Conditions.....	30
3.6 Write.....	14	6.2.1 AC Input/Output Test Conditions.....	31
4. COMMAND DEFINITIONS	14	6.2.2 DC Characteristics	32
4.1 Read Array Command	17	6.2.3 AC Characteristics - Read-Only Operations... 34	
4.2 Read Identifier Codes Command	17	6.2.4 AC Characteristics - Write Operations.....	36
4.3 Read Status Register Command.....	17	6.2.5 Alternative \overline{CE} -Controlled Writes	38
4.4 Clear Status Register Command	17	6.2.6 Reset Operations	40
4.5 Block Erase Command	17	6.2.7 Block Erase, Byte Write and Lock-Bit Configuration Performance.....	41
4.6 Byte Write Command	18		
4.7 Block Erase Suspend Command	18		
4.8 Byte Write Suspend Command	19		
4.9 Set Block and Master Lock-Bit Commands	19		

Part2 Flash memory
CONTENTS

	PAGE		PAGE
1. INTRODUCTION	9	4.10 Clear Block Lock-Bits Command	20
1.1 New Features	9	5. DESIGN CONSIDERATIONS	28
1.2 Product Overview	9	5.1 Three-Line Output Control	28
2. PRINCIPLES OF OPERATION	12	5.2 Power Supply Decoupling	28
2.1 Data Protection	12	5.3 V_{pp} Trace on Printed Circuit Boards	28
3. BUS OPERATION	13	5.4 V_{CC} , V_{pp} , \overline{RP} Transitions	29
3.1 Read	13	5.5 Power-Up/Down Protection	29
3.2 Output Disable	13	5.6 Power Dissipation	29
3.3 Standby	13	6. ELECTRICAL SPECIFICATIONS	30
3.4 Deep Power-Down	13	6.1 Absolute Maximum Ratings	30
3.5 Read Identifier Codes Operation	14	6.2 Operating Conditions	30
3.6 Write	14	6.2.1 AC Input/Output Test Conditions	31
4. COMMAND DEFINITIONS	14	6.2.2 DC Characteristics	32
4.1 Read Array Command	17	6.2.3 AC Characteristics - Read-Only Operations	34
4.2 Read Identifier Codes Command	17	6.2.4 AC Characteristics - Write Operations	36
4.3 Read Status Register Command	17	6.2.5 Alternative \overline{CE} -Controlled Writes	38
4.4 Clear Status Register Command	17	6.2.6 Reset Operations	40
4.5 Block Erase Command	17	6.2.7 Block Erase, Byte Write and Lock-Bit Configuration Performance	41
4.6 Byte Write Command	18		
4.7 Block Erase Suspend Command	18		
4.8 Byte Write Suspend Command	19		
4.9 Set Block and Master Lock-Bit Commands	19		

1 INTRODUCTION

This datasheet contains LRS1302 specifications. Section 1 provides a flash memory overview. Sections 2, 3, 4, and 5 describe the memory organization and functionality. Section 6 covers electrical specifications.

1.1 New Features

The LRS1302 SmartVoltage Flash memory maintains backwards-compatibility with SHARP's 28F008SA. Key enhancements over the 28F008SA include:

- SmartVoltage Technology
- Enhanced Suspend Capabilities
- In-System Block Locking

Both devices share a compatible, status register, and software command set. These similarities enable a clean upgrade from the 28F008SA to LRS1302. When upgrading, it is important to note the following differences:

- Because of new feature support, the two devices have different device codes. This allows for software optimization.
- V_{PPLK} has been lowered from 6.5V to 1.5V to support 2.7V-3.6V block erase, byte write, and lock-bit configuration operations. Designs that switch V_{PP} off during read operations should make sure that the V_{PP} voltage transitions to GND.
- To take advantage of SmartVoltage technology, allow V_{PP} connection to 2.7V-3.6V.

1.2 Product Overview

The LRS1302 is a high-performance 8-Mbit SmartVoltage Flash memory organized as 1 Mbyte of 8 bits. The 1 Mbyte of data is arranged in sixteen 64-Kbyte blocks which are individually erasable, lockable, and unlockable in-system. The memory map is shown in Figure 2.

SmartVoltage technology provides a choice of V_{CC} and V_{PP} combinations, as shown in Table 1, to meet system performance and power expectations. V_{PP} at 2.7V to 3.6V eliminates the need for a separate 12V converter. In addition to flexible erase and program voltages, the dedicated V_{PP} pin gives complete data protection when $V_{PP} \leq V_{PPLK}$.

Table 1. V_{CC} and V_{PP} Voltage Combinations Offered by SmartVoltage Technology

V_{CC} Voltage	V_{PP} Voltage
2.7V to 3.6V(*1)	2.7V to 3.6V

NOTE:

*1. FLASH Erase/Write($T_A=0^\circ\text{C}$ to 85°C)

Internal V_{CC} and V_{PP} detection Circuitry automatically configures the device for optimized read and write operations.

A Command User Interface (CUI) serves as the interface between the system processor and internal operation of the device. A valid command sequence written to the CUI initiates device automation. An internal Write State Machine (WSM) automatically executes the algorithms and timings necessary for block erase, byte write, and lock-bit configuration operations.

A block erase operation erases one of the device's 64-Kbyte blocks typically within 1.8 second independent of other blocks. Each block can be independently erased 100,000 times (1.6 million block erases per device). Block erase suspend mode allows system software to suspend block erase to read or write data from any other block.

Writing memory data is performed in byte increments typically within 17 μs . Byte write suspend mode enables the system to read data or execute code from any other flash memory array location.

Individual block locking uses a combination of bits, sixteen block lock-bits and a master lock-bit, to lock and unlock blocks. Block lock-bits gate block erase and byte write operations, while the master lock-bit gates block lock-bit modification. Lock-bit configuration operations (Set Block Lock-Bit, Set Master Lock-Bit, and Clear Block Lock-Bits commands) set and cleared lock-bits.

The status register indicates when the WSM's block erase, byte write, or lock-bit configuration operation is finished.

The access time is 130 ns (t_{AVQV}) over the commercial temperature range (-40°C to +85°C) and V_{CC} supply voltage range of 2.7V-3.6V.

The Automatic Power Savings (APS) feature substantially reduces active current when the device is in static mode (addresses not switching).

When \overline{CE} and \overline{RP} pins are at V_{CC} , the I_{CC} CMOS standby mode is enabled. When the \overline{RP} pin is at GND, deep power-down mode is enabled which minimizes power consumption and provides write protection during reset. A reset time (t_{PHQV}) is required from \overline{RP} switching high until outputs are valid. Likewise, the device has a wake time (t_{PHEL}) from \overline{RP} -high until writes to the CUI are recognized. With \overline{RP} at GND, the WSM is reset and the status register is cleared.

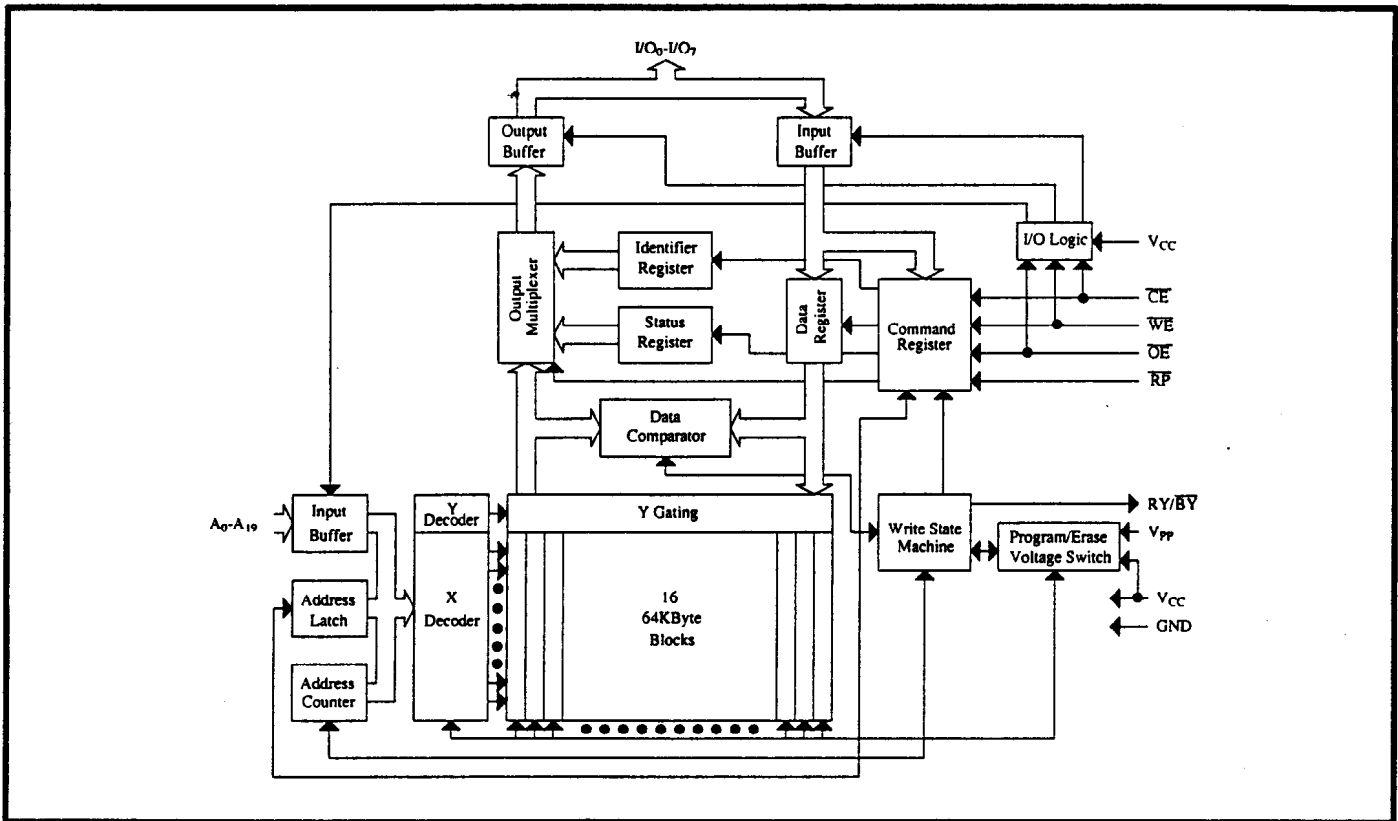


Figure 1. Block Diagram

Table 2. Pin Descriptions

Sym	Type	Name and Function
A ₀ -A ₁₉	INPUT	ADDRESS INPUTS: Inputs for addresses during read and write operations. Addresses are internally latched during a write cycle.
I/O ₀ -I/O ₇	INPUT/ OUTPUT	DATA INPUT/OUTPUTS: Inputs data and commands during CUI write cycles; outputs data during memory array, status register, and identifier code read cycles. Data pins float to high-impedance when the chip is deselected or outputs are disabled. Data is internally latched during a write cycle.
$\overline{\text{CE}}$	INPUT	CHIP ENABLE: Activates the device's control logic, input buffers, decoders, and sense amplifiers. $\overline{\text{CE}}$ -high deselects the device and reduces power consumption to standby levels.
$\overline{\text{RP}}$	INPUT	RESET/DEEP POWER-DOWN: Puts the device in deep power-down mode and resets internal automation. $\overline{\text{RP}}$ -high enables normal operation. When driven low, $\overline{\text{RP}}$ inhibits write operations which provides data protection during power transitions. Exit from deep power-down sets the device to read array mode. $\overline{\text{RP}}$ at V _{HH} enables setting of the master lock-bit and enables configuration of block lock-bits when the master lock-bit is set. $\overline{\text{RP}}=V_{\text{HH}}$ overrides block lock-bits thereby enabling block erase and byte write operations to locked memory blocks. Block erase, byte write, or lock-bit configuration with V _{IH} < $\overline{\text{RP}}$ <V _{HH} produce spurious results and should not be attempted.
$\overline{\text{OE}}$	INPUT	OUTPUT ENABLE: Gates the device's outputs during a read cycle.
$\overline{\text{WE}}$	INPUT	WRITE ENABLE: Controls writes to the CUI and array blocks. Addresses and data are latched on the rising edge of the $\overline{\text{WE}}$ pulse.
V _{pp}	SUPPLY	BLOCK ERASE, BYTE WRITE, LOCK-BIT CONFIGURATION POWER SUPPLY: For erasing array blocks, writing bytes, or configuring lock-bits. With V _{pp} ≤V _{ppLK} , memory contents cannot be altered. Block erase, byte write, and lock-bit configuration with an invalid V _{pp} (see DC Characteristics) produce spurious results and should not be attempted.
V _{CC}	SUPPLY	DEVICE POWER SUPPLY: Do not float any power pins. With V _{CC} ≤V _{LKO} , all write attempts to the flash memory are inhibited. Device operations at invalid V _{CC} voltage (see DC Characteristics) produce spurious results and should not be attempted. Block erase, byte write and lock-bit configuration operations with V _{CC} <3.0V are not supported.
GND	SUPPLY	GROUND: Do not float any ground pins.

Note: V_{CC}, V_{pp}, $\overline{\text{CE}}$, $\overline{\text{OE}}$ and $\overline{\text{WE}}$ mean F-V_{CC}, F-V_{pp}, F- $\overline{\text{CE}}$, F- $\overline{\text{OE}}$ and F- $\overline{\text{WE}}$.

2 PRINCIPLES OF OPERATION

The LRS1302 SmartVoltage Flash memory includes an on-chip WSM to manage block erase, byte write, and lock-bit configuration functions. It allows for: 100% TTL-level control inputs, fixed power supplies during block erasure, byte write, and lock-bit configuration, and minimal processor overhead with RAM-Like interface timings.

After initial device power-up or return from deep power-down mode (see Bus Operations), the device defaults to read array mode. Manipulation of external memory control pins allow array read, standby, and output disable operations.

Status register and identifier codes can be accessed through the CUI independent of the V_{pp} voltage. High voltage on V_{pp} enables successful block erasure, byte writing, and lock-bit configuration. All functions associated with altering memory contents—block erase, byte write, Lock-bit configuration, status, and identifier codes—are accessed via the CUI and verified through the status register.

Commands are written using standard microprocessor write timings. The CUI contents serve as input to the WSM, which controls the block erase, byte write, and lock-bit configuration. The internal algorithms are regulated by the WSM, including pulse repetition, internal verification, and margining of data. Addresses and data are internally latch during write cycles. Writing the appropriate command outputs array data, accesses the identifier codes, or outputs status register data.

Interface software that initiates and polls progress of block erase, byte write, and lock-bit configuration can be stored in any block. This code is copied to and executed from system RAM during flash memory updates. After successful completion, reads are again possible via the Read Array command. Block erase suspend allows system software to suspend a block erase to read or write data from any other block. Byte write suspend allows system software to suspend a byte write to read data from any other flash memory array location.

FFFF	64-Kbyte Block	15
F0000	64-Kbyte Block	14
E0000	64-Kbyte Block	13
D0000	64-Kbyte Block	12
C0000	64-Kbyte Block	11
B0000	64-Kbyte Block	10
A0000	64-Kbyte Block	9
90000	64-Kbyte Block	8
80000	64-Kbyte Block	7
70000	64-Kbyte Block	6
60000	64-Kbyte Block	5
50000	64-Kbyte Block	4
40000	64-Kbyte Block	3
30000	64-Kbyte Block	2
20000	64-Kbyte Block	1
10000	64-Kbyte Block	0
00000		

Figure 2. Memory Map

2.1 Data Protection

Depending on the application, the system designer may choose to make the V_{pp} power supply switchable (available only when memory block erases, byte writes, or lock-bit configurations are required) or hardwired to V_{ppH} . The device accommodates either design practice and encourages optimization of the processor-memory interface.

When $V_{PP} \leq V_{PPLK}$, memory contents cannot be altered. The CUI, with two-step block erase, byte write, or lock-bit configuration command sequences, provides protection from unwanted operations even when high voltage is applied to V_{PP} . All write functions are disabled when V_{CC} is below the write lockout voltage V_{LKO} or when \overline{RP} is at V_{IL} . The device's block locking capability provides additional protection from inadvertent code or data alteration by gating erase and byte write operations.

3 BUS OPERATION

The local CPU reads and writes flash memory in-system. All bus cycles to or from the flash memory conform to standard microprocessor bus cycles.

3.1 Read

Information can be read from any block, identifier codes, or status register independent of the V_{PP} voltage. \overline{RP} can be at either V_{IH} or V_{HH} .

The first task is to write the appropriate read mode command (Read Array, Read Identifier Codes, or Read Status Register) to the CUI. Upon initial device power-up or after exit from deep power-down mode, the device automatically resets to read array mode. Four control pins dictate the data flow in and out of the component: \overline{CE} , \overline{OE} , \overline{WE} , and \overline{RP} . \overline{CE} and \overline{OE} must be driven active to obtain data at the outputs. \overline{CE} is the device selection control, and when active enables the selected memory device. \overline{OE} is the data output (I/O_0 - I/O_7) control and when active drives the selected memory data onto the I/O bus. \overline{WE} must be at V_{IH} and \overline{RP} must be at V_{IH} or V_{HH} . Figure 12 illustrates a read cycle.

3.2 Output Disable

With \overline{OE} at a logic-high level (V_{IH}), the device outputs are disabled. Output pins I/O_0 - I/O_7 are placed in a high-impedance state.

3.3 Standby

\overline{CE} at a logic-high level (V_{IH}) places the device in standby mode which substantially reduces device power consumption. I/O_0 - I/O_7 outputs are placed in a high-impedance state independent of \overline{OE} . If deselected during block erase, byte write, or lock-bit configuration, the device continues functioning, and consuming active power until the operation completes.

3.4 Deep Power-Down

\overline{RP} at V_{IL} initiates the deep power-down mode.

In read modes, \overline{RP} -low deselects the memory, places output drivers in a high-impedance state and turns off all internal circuits. \overline{RP} must be held low for a minimum of 100 ns. Time t_{PHQV} is required after return from power-down until initial memory access outputs are valid. After this wake-up interval, normal operation is restored. The CUI is reset to read array mode and status register is set to 80H.

During block erase, byte write, or lock-bit configuration modes, \overline{RP} -low will abort the operation. Memory contents being altered are no longer valid; the data may be partially erased or written. Time t_{PHWL} is required after \overline{RP} goes to logic-high (V_{IH}) before another command can be written.

As with any automated device, it is important to assert \overline{RP} during system reset. When the system comes out of reset, it expects to read from the flash memory. Automated flash memories provide status information when accessed during block erase, byte write, or lock-bit configuration modes. If a CPU reset occurs with no flash memory reset, proper CPU initialization may not occur because the flash memory may be providing status information instead of array data. SHARP's flash memories allow proper CPU initialization following a system reset through the use of the \overline{RP} input. In this application, \overline{RP} is controlled by the same RESET signal that resets the system CPU.

3.5 Read Identifier Codes Operation

The read identifier codes operation outputs the manufacturer code, device code, block lock configuration codes for each block, and the master lock configuration code (see Figure 3). Using the manufacturer and device codes, the system CPU can automatically match the device with its proper algorithms. The block lock and master lock configuration codes identify locked and unlocked blocks and master lock-bit setting.

3.6 Write

Writing commands to the CUI enable reading of device data and identifier codes. They also control inspection and clearing of the status register. When $V_{CC}=V_{CC1}$ and $V_{PP}=V_{PPH}$, the CUI additionally controls block erasure, byte write, and lock-bit configuration.

The Block Erase command requires appropriate command data and an address within the block to be erased. The Byte Write command requires the command and address of the location to be written. Set Master and Block Lock-Bit commands require the command and address within the device (Master Lock) or block within the device (Block Lock) to be locked. The Clear Block Lock-Bits command requires the command and address within the device.

The CUI does not occupy an addressable memory location. It is written when \overline{WE} and \overline{CE} are active. The address and data needed to execute a command are latched on the rising edge of \overline{WE} or \overline{CE} (whichever goes high first). Standard microprocessor write timings are used. Figures 13 and 14 illustrate \overline{WE} and \overline{CE} -controlled write operations.

4 COMMAND DEFINITIONS

When the V_{PP} voltage $\leq V_{PPLK}$, Read operations from the status register, identifier codes, or blocks are enabled. Placing V_{PPH} on V_{PP} enables successful block erase, byte write and lock-bit configuration operations.

Device operations are selected by writing specific commands into the CUI. Table 4 defines these commands.

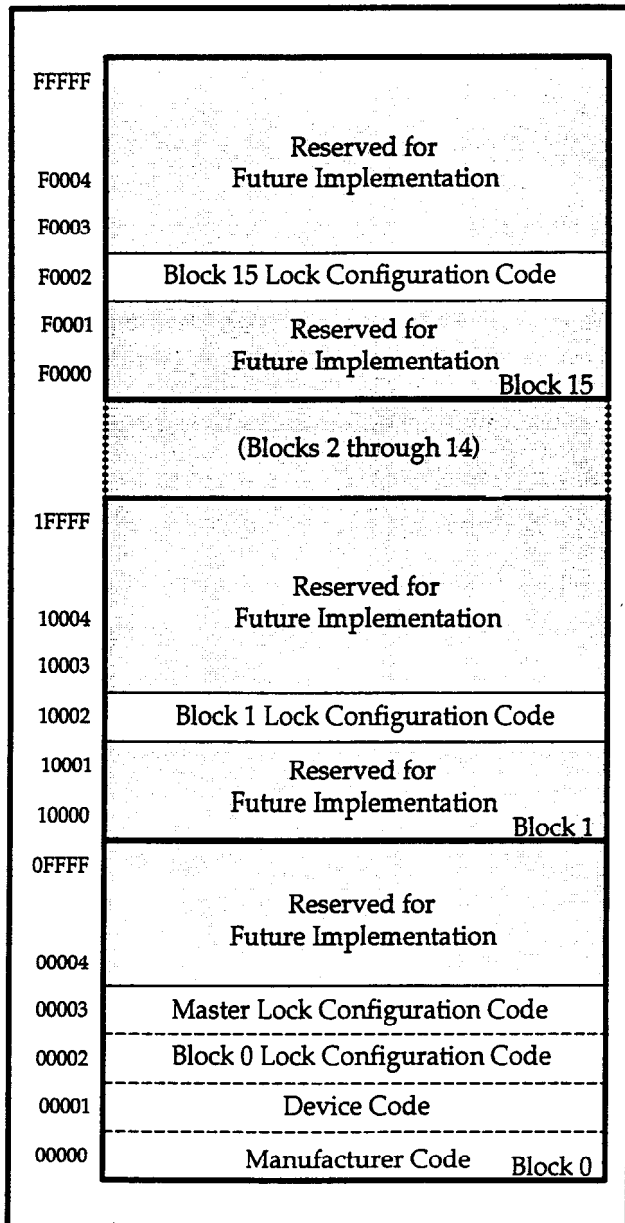


Figure 3. Device Identifier Code Memory Map

Table 3. Bus Operations

Mode	Notes	\overline{RP}	\overline{CE}	\overline{OE}	\overline{WE}	Address	V_{PP}	I/O ₀₋₇
Read	1,2,7	V_{IH} or V_{HH}	V_{IL}	V_{IL}	V_{IH}	X	X	D_{OUT}
Output Disable		V_{IH} or V_{HH}	V_{IL}	V_{IH}	V_{IH}	X	X	High Z
Standby		V_{IH} or V_{HH}	V_{IH}	X	X	X	X	High Z
Deep Power-Down	3	V_{IL}	X	X	X	X	X	High Z
Read Identifier Codes		V_{IH} or V_{HH}	V_{IL}	V_{IL}	V_{IH}	See Figure 3	X	Note 4
Write	5,6,7	V_{IH} or V_{HH}	V_{IL}	V_{IH}	V_{IL}	X	X	D_{IN}

NOTES:

1. Refer to DC Characteristics. When $V_{PP} \leq V_{PPLK}$, memory contents can be read, but not altered.
2. X can be V_{IL} or V_{IH} for control pins and addresses, and V_{PPLK} or V_{PPH} for V_{PP} . See DC Characteristics for V_{PPLK} and V_{PPH} voltages.
3. \overline{RP} at $GND \pm 0.2V$ ensures the lowest deep power-down current.
4. See Section 4.2 for read identifier code data.
5. Command writes involving block erase, write, or lock-bit configuration are reliably executed when $V_{PP} = V_{PPH}$ and $V_{CC} = V_{CC1}$ ($T_a = 0$ to $85^\circ C$). Block erase, byte write, or lock-bit configuration with $V_{IH} < \overline{RP} < V_{HH}$ produce spurious results and should not be attempted.
6. Refer to Table 4 for valid D_{IN} during a write operation.
7. Don't use the timing both \overline{OE} and \overline{WE} are V_{IL} .

Table 4. Command Definitions⁽⁹⁾

Command	Bus Cycles Req'd.	Notes	First Bus Cycle			Second Bus Cycle		
			Oper ⁽¹⁾	Addr ⁽²⁾	Data ⁽³⁾	Oper ⁽¹⁾	Addr ⁽²⁾	Data ⁽³⁾
Read Array/Reset	1		Write	X	FFH			
Read Identifier Codes	≥2	4	Write	X	90H	Read	IA	ID
Read Status Register	2		Write	X	70H	Read	X	SRD
Clear Status Register	1		Write	X	50H			
Block Erase	2	5	Write	BA	20H	Write	BA	D0H
Byte Write	2	5,6	Write	WA	40H or 10H	Write	WA	WD
Block Erase and Byte Write Suspend	1	5	Write	X	B0H			
Block Erase and Byte Write Resume	1	5	Write	X	D0H			
Set Block Lock-Bit	2	7	Write	BA	60H	Write	BA	01H
Set Master Lock-Bit	2	7	Write	X	60H	Write	X	F1H
Clear Block Lock-Bits	2	8	Write	X	60H	Write	X	D0H

NOTES:

- BUS operations are defined in Table 3.
- X=Any valid address within the device.
IA=Identifier Code Address: see Figure 3.
BA=Address within the block being erased or locked.
WA=Address of memory location to be written.
- SRD=Data read from status register. See Table 7 for a description of the status register bits.
WD=Data to be written at location WA. Data is latched on the rising edge of \overline{WE} or \overline{CE} (whichever goes high first).
ID=Data read from identifier codes.
- Following the Read Identifier Codes command, read operations access manufacturer, device, block lock, and master lock codes. See Section 4.2 for read identifier code data.
- If the block is locked, \overline{RP} must be at V_{HH} to enable block erase or byte write operations. Attempts to issue a block erase or byte write to a locked block while \overline{RP} is V_{IH} .
- Either 40H or 10H are recognized by the WSM as the byte write setup.
If the master lock-bit is set, \overline{RP} must be at V_{HH} to set a block lock-bit. \overline{RP} must be at V_{HH} to set the master lock-bit. If the master lock-bit is not set, a block lock-bit can be set while \overline{RP} is V_{IH} .
- If the master lock-bit is set, \overline{RP} must be at V_{HH} to clear block lock-bits. The clear block lock-bits operation simultaneously clears all block lock-bits. If the master lock-bit is not set, the Clear Block Lock-Bits command can be done while \overline{RP} is V_{IH} .
- Commands other than those shown above are reserved by SHARP for future device implementations and should not be used.

4.1 Read Array Command

Upon initial device power-up and after exit from deep power-down mode, the device defaults to read array mode. This operation is also initiated by writing the Read Array command. The device remains enabled for reads until another command is written. Once the internal WSM has started a block erase, byte write or lock-bit configuration, the device will not recognize the Read Array command until the WSM completes its operation unless the WSM is suspended via an Erase Suspend or Byte Write Suspend command. The Read Array command functions independently of the V_{PP} voltage and \overline{RP} can be V_{IH} or V_{HH} .

4.2 Read Identifier Codes Command

The identifier code operation is initiated by writing the Read Identifier Codes command. Following the command write, read cycles from addresses shown in Figure 3 retrieve the manufacturer, device, block lock configuration and master lock configuration codes (see Table 5 for identifier code values). To terminate the operation, write another valid command. Like the Read Array command, the Read Identifier Codes command functions independently of the V_{PP} voltage and \overline{RP} can be V_{IH} or V_{HH} . Following the Read Identifier Codes command, the following information can be read:

Table 5. Identifier Codes

Code	Address	Data
Manufacture Code	00000	89
Device Code	00001	A6
Block Lock Configuration	X0002 ⁽¹⁾	
·Block is Unlocked		I/O ₀ =0
·Block is Locked		I/O ₀ =1
·Reserved for Future Use		I/O ₁₋₇
Master Lock Configuration	00003	
·Device is Unlocked		I/O ₀ =0
·Device is Locked		I/O ₀ =1
·Reserved for Future Use		I/O ₁₋₇

NOTE:

1. X selects the specific block lock configuration code to be read. See Figure 3 for the device identifier code memory map.

4.3 Read Status Register Command

The status register may be read to determine when a block erase, byte write, or lock-bit configuration is complete and whether the operation completed successfully. It may be read at any time by writing the Read Status Register command. After writing this command, all subsequent read operations output data from the status register until another valid command is written. The status register contents are latched on the falling edge of \overline{OE} or \overline{CE} , whichever occurs. \overline{OE} or \overline{CE} must toggle to V_{IH} before further reads to update the status register latch. The Read Status Register command functions independently of the V_{PP} voltage. \overline{RP} can be V_{IH} or V_{HH} .

4.4 Clear Status Register Command

Status register bits SR.5, SR.4, SR.3, and SR.1 are set to "1"s by the WSM and can only be reset by the Clear Status Register command. These bits indicate various failure conditions (see Table 7). By allowing system software to reset these bits, several operations (such as cumulatively erasing or locking multiple blocks or writing several bytes in sequence) may be performed. The status register may be polled to determine if an error occurred during the sequence.

To clear the status register, the Clear Status Register command (50H) is written. It functions independently of the applied V_{PP} Voltage. \overline{RP} can be V_{IH} or V_{HH} . This command is not functional during block erase or byte write suspend modes.

4.5 Block Erase Command

Erase is executed one block at a time and initiated by a two-cycle command. A block erase setup is first written, followed by an block erase confirm. This command sequence requires appropriate sequencing and an address within the block to be erased (erase changes all block data to FFH). Block preconditioning, erase, and verify are handled internally by the WSM (invisible to the system). After the two-cycle block erase sequence is written, the device automatically outputs status register data when read (see Figure 4). The CPU can detect block erase completion by analyzing status register bit SR.7.

When the block erase is complete, status register bit SR.5 should be checked. If a block erase error is detected, the status register should be cleared before system software attempts corrective actions. The CUI remains in read status register mode until a new command is issued.

This two-step command sequence of set-up followed by execution ensures that block contents are not accidentally erased. An invalid Block Erase command sequence will result in both status register bits SR.4 and SR.5 being set to "1". Also, reliable block erasure can only occur when $V_{CC}=V_{CC1}$ and $V_{PP}=V_{PPH}$. In the absence of this high voltage, block contents are protected against erasure. If block erase is attempted while $V_{PP}\leq V_{PPLK}$, SR.3 and SR.5 will be set to "1". Successful block erase requires that the corresponding block lock-bit be cleared or, if set, that $\overline{RP}=V_{HH}$. If block erase is attempted when the corresponding block lock-bit is set and $\overline{RP}=V_{IH}$, SR.1 and SR.5 will be set to "1". Block erase operations with $V_{IH}<\overline{RP}<V_{HH}$ produce spurious results and should not be attempted.

4.6 Byte Write Command

Byte write is executed by a two-cycle command sequence. Byte write setup (standard 40H or alternate 10H) is written, followed by a second write that specifies the address and data (latched on the rising edge of \overline{WE}). The WSM then takes over, controlling the byte write and write verify algorithms internally. After the byte write sequence is written, the device automatically outputs status register data when read (see Figure 5). The CPU can detect the completion of the byte write event by analyzing status register bit SR.7.

When byte write is complete, status register bit SR.4 should be checked. If byte write error is detected, the status register should be cleared. The internal WSM verify only detects errors for "1"s that do not successfully write to "0"s. The CUI remains in read status register mode until it receives another command.

Reliable byte writes can only occur when $V_{CC}=V_{CC1}$ and $V_{PP}=V_{PPH}$. In the absence of this high voltage, memory contents are protected against byte writes. If byte write is attempted while $V_{PP}\leq V_{PPLK}$, status

register bits SR.3 and SR.4 will be set to "1". Successful byte write requires that the corresponding block lock-bit be cleared or, if set, that $\overline{RP}=V_{HH}$. If byte write is attempted when the corresponding block lock-bit is set and $\overline{RP}=V_{IH}$, SR.1 and SR.4 will be set to "1". Byte write operations with $V_{IH}<\overline{RP}<V_{HH}$ produce spurious results and should not be attempted.

4.7 Block Erase Suspend Command

The Block Erase Suspend command allows block-erase interruption to read or byte-write data in another block of memory. Once the block-erase process starts, writing the Block Erase Suspend command requests that the WSM suspend the block erase sequence at a predetermined point in the algorithm. The device outputs status register data when read after the Block Erase Suspend command is written. Polling status register bits SR.7 and SR.6 can determine when the block erase operation has been suspended (both will be set to "1"). Specification t_{WHRH2} defines the block erase suspend latency.

At this point, a Read Array command can be written to read data from blocks other than that which is suspended. A Byte Write command sequence can also be issued during erase suspend to program data in other blocks. Using the Byte Write Suspend command (see Section 4.8), a byte write operation can also be suspended. During a byte write operation with block erase suspended, status register bit SR.7 will return to "0". However, SR.6 will remain "1" to indicate block erase suspend status.

The only other valid commands while block erase is suspended are Read Status Register and Block Erase Resume. After a Block Erase Resume command is written to the flash memory, the WSM will continue the block erase process. Status register bits SR.6 and SR.7 will automatically clear. After the Erase Resume command is written, the device automatically outputs status register data when read (see Figure 6). V_{PP} must remain at V_{PPH} (the same V_{PP} level used for block erase) while block erase is suspended. \overline{RP} must also remain at V_{IH} or V_{HH} (the same \overline{RP} level used for block erase). Block erase cannot resume until byte write operations initiated during block erase suspend have completed.

4.8 Byte Write Suspend Command

The Byte Write Suspend command allows byte write interruption to read data in other flash memory locations. Once the byte write process starts, writing the Byte Write Suspend command requests that the WSM suspend the byte write sequence at a predetermined point in the algorithm. The device continues to output status register data when read after the Byte Write Suspend command is written. Polling status register bits SR.7 and SR.2 can determine when the byte write operation has been suspended (both will be set to "1"). Specification t_{WHRHI} defines the byte write suspend latency.

At this point, a Read Array command can be written to read data from locations other than that which is suspended. The only other valid commands while byte write is suspended are Read Status Register and Byte Write Resume. After Byte Write Resume command is written to the flash memory, the WSM will continue the byte write process. Status register bits SR.2 and SR.7 will automatically clear. After the Byte Write Resume command is written, the device automatically outputs status register data when read (see Figure 7). V_{PP} must remain at V_{PPH} (the same V_{PP} level used for byte write) while in byte write suspend mode. \overline{RP} must also remain at V_{IH} or V_{HH} (the same \overline{RP} level used for byte write).

4.9 Set Block and Master Lock-Bit Commands

A flexible block locking and unlocking scheme is enabled via a combination of block lock-bits and a master lock-bit. The block lock-bits gate program and erase operations while the master lock-bit gates block-lock bit modification. With the master lock-bit not set, individual block lock-bits can be set using the Set Block Lock-Bit command. The Set Master Lock-Bit command, in conjunction with $\overline{RP}=V_{HH}$, sets the master lock-bit. After the master lock-bit is set, subsequent setting of block lock-bits requires both the Set Block Lock-Bit command and V_{HH} on the \overline{RP} pin. See Table 6 for a summary of hardware and software write protection options.

Set block lock-bit and master lock-bit are executed by a two-cycle command sequence. The set block or master lock-bit setup along with appropriate block or device address is written followed by either the set block lock-bit confirm (and an address within the block to be locked) or the set master lock-bit confirm (and any device address). The WSM then controls the set lock-bit algorithm. After the sequence is written, the device automatically outputs status register data when read (see Figure 8). The CPU can detect the completion of the set lock-bit event by analyzing status register bit SR.7.

When the set lock-bit operation is complete, status register bit SR.4 should be checked. If an error is detected, the status register should be cleared. The CUI will remain in read status register mode until a new command is issued.

This two-step sequence of set-up followed by execution ensures that lock-bits are not accidentally set. An invalid Set Block or Master Lock-Bit command will result in status register bits SR.4 and SR.5 being set to "1". Also, reliable operations occur only when $V_{CC}=V_{CC1}$ and $V_{PP}=V_{PPH}$. In the absence of this high voltage, lock-bit contents are protected against alteration.

A successful set block lock-bit operation requires that the master lock-bit be cleared or, if the master lock-bit is set, that $\overline{RP}=V_{HH}$. If it is attempted with the master lock-bit set and $\overline{RP}=V_{IH}$, SR.1 and SR.4 will be set to "1" and the operation will fail. Set block lock-bit operations while $V_{IH}<\overline{RP}<V_{HH}$ produce spurious results and should not be attempted. A successful set master lock-bit operation requires that $\overline{RP}=V_{HH}$. If it is attempted with $\overline{RP}=V_{IH}$, SR.1 and SR.4 will be set to "1" and the operation will fail. Set master lock-bit operations with $V_{IH}<\overline{RP}<V_{HH}$ produce spurious results and should not be attempted.

4.10 Clear Block Lock-Bits Command

All set block lock-bits are cleared in parallel via the Clear Block Lock-Bits command. With the master lock-bit not set, block lock-bits can be cleared using only the Clear Block Lock-Bits command. If the master lock-bit is set, clearing block lock-bits requires both the Clear Block Lock-Bits command and V_{HH} on the \overline{RP} pin. See Table 6 for a summary of hardware and software write protection options.

Clear block lock-bits operation is executed by a two-cycle command sequence. A clear block lock-bits setup is first written. After the command is written, the device automatically outputs status register data when read (see Figure 9). The CPU can detect completion of the clear block lock-bits event by analyzing status register bit SR.7.

When the operation is complete, status register bit SR.5 should be checked. If a clear block lock-bit error is detected, the status register should be cleared. The CUI will remain in read status register mode until another command is issued.

This two-step sequence of set-up followed by execution ensures that block lock-bits are not

accidentally cleared. An invalid Clear Block Lock-Bits command sequence will result in status register bits SR.4 and SR.5 being set to "1". Also, a reliable clear block lock-bits operation can only occur when $V_{CC}=V_{CC1}$ and $V_{PP}=V_{PPH}$. If a clear block lock-bits operation is attempted while $V_{PP} \leq V_{PPLK}$, SR.3 and SR.5 will be set to "1". In the absence of this high voltage, the block lock-bits content are protected against alteration. A successful clear block lock-bits operation requires that the master lock-bit is not set or, if the master lock-bit is set, that $\overline{RP}=V_{HH}$. If it is attempted with the master lock-bit set and $\overline{RP}=V_{IH}$, SR.1 and SR.5 will be set to "1" and the operation will fail. A clear block lock-bits operation with $V_{IH} < \overline{RP} < V_{HH}$ produce spurious results and should not be attempted.

If a clear block lock-bits operation is aborted due to V_{PP} or V_{CC} transitioning out of valid range or \overline{RP} active transition, block lock-bit values are left in an undetermined state. A repeat of clear block lock-bits is required to initialize block lock-bit contents to known values. Once the master lock-bit is set, it cannot be cleared.

Table 6. Write Protection Alternatives

Operation	Master Lock-Bit	Block Lock-Bit	\overline{RP}	Effect
Block Erase or Byte Write	X	0	V_{IH} or V_{HH}	Block Erase and Byte Write Enabled
		1	V_{IH} V_{HH}	Block is Locked. Block Erase and Byte Write Disabled Block Lock-Bit Override. Block Erase and Byte Write Enabled
Set Block Lock-Bit	0	X	V_{IH} or V_{HH}	Set Block Lock-Bit Enabled
	1	X	V_{IH}	Master Lock-Bit is Set. Set Block Lock-Bit Disabled
			V_{HH}	Master Lock-Bit Override. Set Block Lock-Bit Enabled
Set Master Lock-Bit	X	X	V_{IH}	Set Master Lock-Bit Disabled
			V_{HH}	Set Master Lock-Bit Enabled
Clear Block Lock-Bits	0	X	V_{IH} or V_{HH}	Clear Block Lock-Bits Enabled
	1	X	V_{IH}	Master Lock-Bit is Set. Clear Block Lock-Bits Disabled
			V_{HH}	Master Lock-Bit Override. Clear Block Lock-Bits Enabled

Table 7. Status Register Definition

WSMS	ESS	ECLBS	BWSLBS	VPPS	BWSS	DPS	R
7	6	5	4	3	2	1	0
<p>SR.7 = WRITE STATE MACHINE STATUS 1 = Ready 0 = Busy</p> <p>SR.6 = ERASE SUSPEND STATUS 1 = Block Erase Suspended 0 = Block Erase in Progress/Completed</p> <p>SR.5 = ERASE AND CLEAR LOCK-BITS STATUS 1 = Error in Block Erasure or Clear Lock-Bits 0 = Successful Block Erase or Clear Lock-Bits</p> <p>SR.4 = BYTE WRITE AND SET LOCK-BIT STATUS 1 = Error in Byte Write or Set Master/Block Lock-Bit 0 = Successful Byte Write or Set Master/Block Lock-Bit</p> <p>SR.3 = V_{PP} STATUS 1 = V_{PP} Low Detect, Operation Abort 0 = V_{PP} OK</p> <p>SR.2 = BYTE WRITE SUSPEND STATUS 1 = Byte Write Suspended 0 = Byte Write in Progress/Completed</p> <p>SR.1 = DEVICE PROTECT STATUS 1 = Master Lock-Bit, Block Lock-Bit and/or \overline{RP} Lock Detected, Operation Abort 0 = Unlock</p> <p>SR.0 = RESERVED FOR FUTURE ENHANCEMENTS</p>				<p>NOTES:</p> <p>Check SR.7 to determine block erase, byte write, or lock-bit configuration completion. SR.6-0 are invalid while SR.7="0".</p> <p>If both SR.5 and SR.4 are "1"s after a block erase or lock-bit configuration attempt, an improper command sequence was entered.</p> <p>SR.3 does not provide a continuous indication of V_{PP} level. The WSM interrogates and indicates the V_{PP} level only after Block Erase, Byte Write, Set Block/Master Lock-Bit, or Clear Block Lock-Bits command sequences. SR.3 is not guaranteed to reports accurate feedback only when V_{PP}=V_{PPH}.</p> <p>SR.1 does not provide a continuous indication of master and block lock-bit values. The WSM interrogates the master lock-bit, block lock-bit, and \overline{RP} only after Block Erase, Byte Write, or Lock-Bit configuration command sequences. It informs the system, depending on the attempted operation, if the block lock-bit is set, master lock-bit is set, and/or \overline{RP} is not V_{HH}. Reading the block lock and master lock configuration codes after writing the Read Identifier Codes command indicates master and block lock-bit status.</p> <p>SR.0 is reserved for future use and should be masked out when polling the status register.</p>			

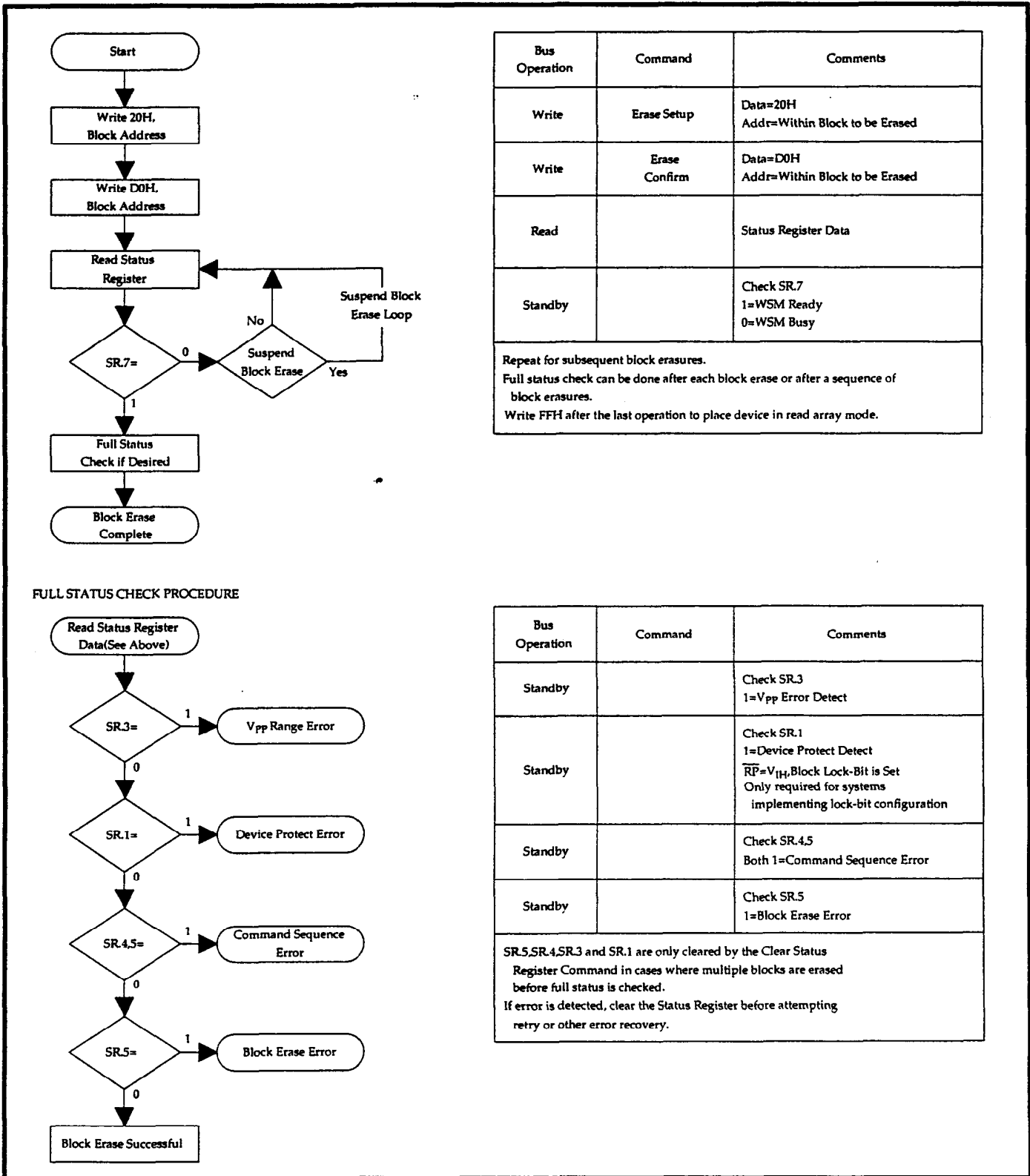
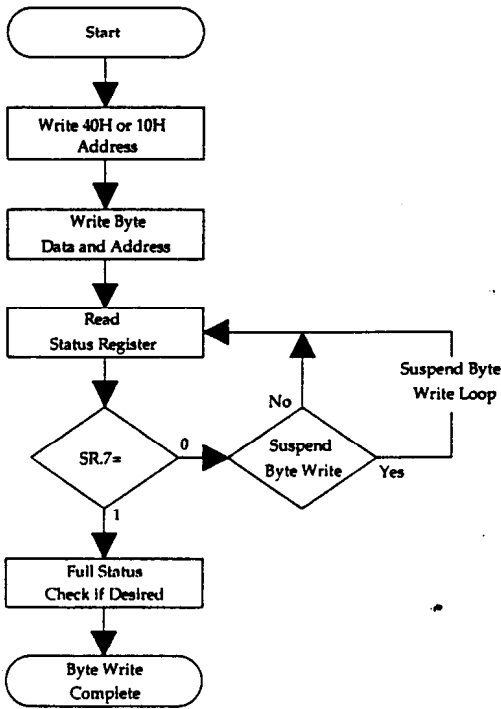


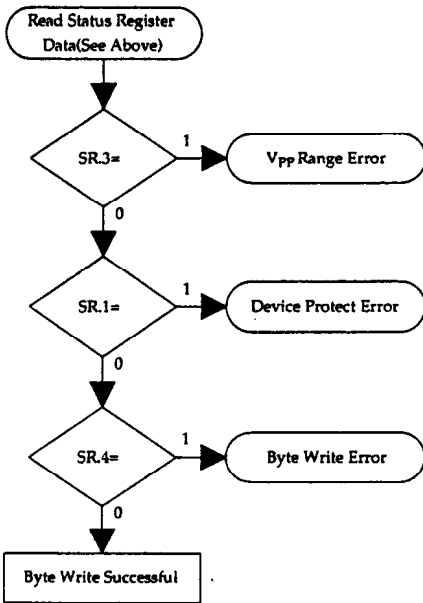
Figure 4. Automated Block Erase Flowchart



Bus Operation	Command	Comments
Write	Setup Byte Write	Data=40H or 10H Addr=Location to Be Written
Write	Byte Write	Data=Data to Be Written Addr=Location to Be Written
Read		Status Register Data
Standby		Check SR.7 1=WSM Ready 0=WSM Busy

Repeat for subsequent byte writes..
SR full status check can be done after each byte write, or after a sequence of byte writes.
Write FFH after the last byte write operation to place device in read array mode.

FULL STATUS CHECK PROCEDURE



Bus Operation	Command	Comments
Standby		Check SR.3 1=V _{PP} Error Detect
Standby		Check SR.1 1=Device Protect Detect \overline{RP} =V _{IH} ,Block Lock-Bit is Set Only required for systems implementing lock-bit configuration
Standby		Check SR.4 1=Data Write Error

SR.4,SR.3 and SR.1 are only cleared by the Clear Status Register command in cases where multiple locations are written before full status is checked.
If error is detected, clear the Status Register before attempting retry or other error recovery.

Figure 5. Automated Byte Write Flowchart

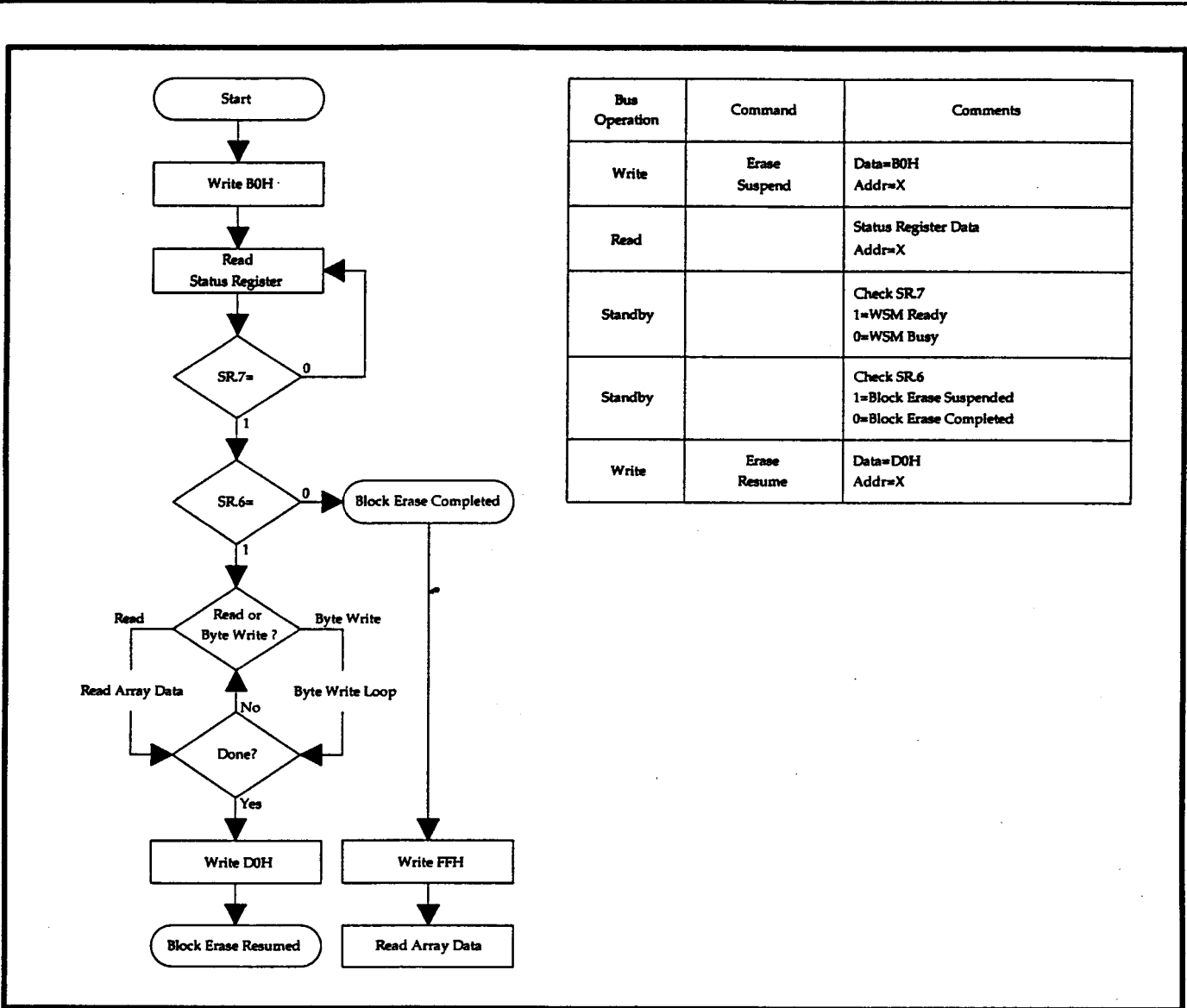


Figure 6. Block Erase Suspend/Resume Flowchart

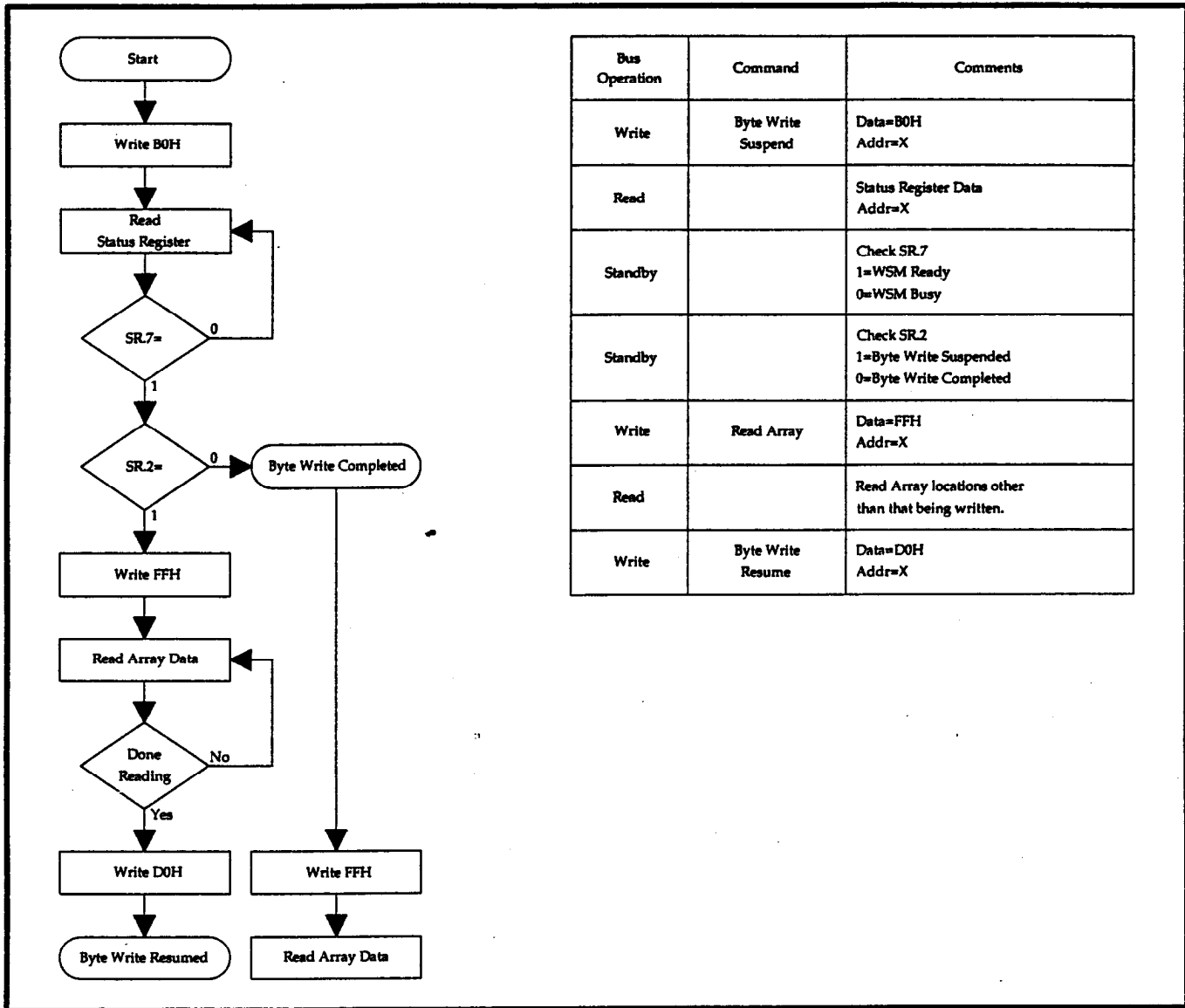
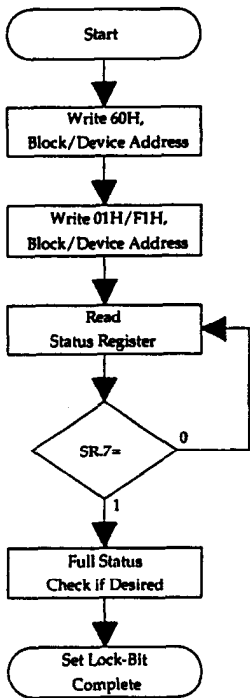


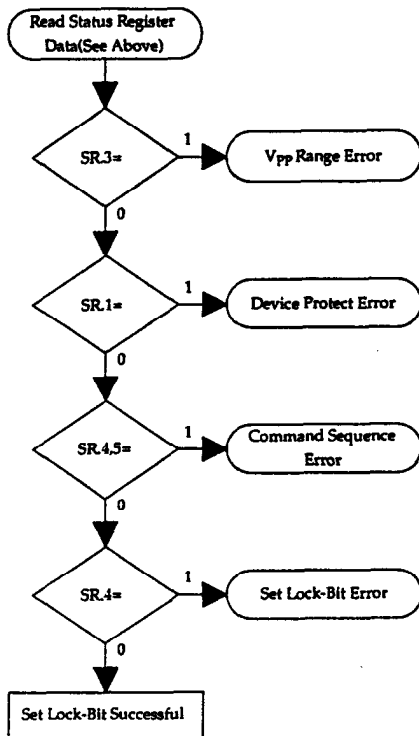
Figure 7. Byte Write Suspend/Resume Flowchart



Bus Operation	Command	Comments
Write	Set Block/Master Lock-Bit Setup	Data=60H Addr=Block Address(Block), Device Address(Master)
Write	Set Block or Master Lock-Bit Confirm	Data=01H(Block), F1H(Master) Addr=Block Address(Block), Device Address(Master)
Read		Status Register Data
Standby		Check SR.7 1=WSM Ready 0=WSM Busy

Repeat for subsequent lock-bit set operations.
Full status check can be done after each lock-bit set operation or after a sequence of lock-bit set operations.
Write FFH after the last lock-bit set operation to place device in read array mode.

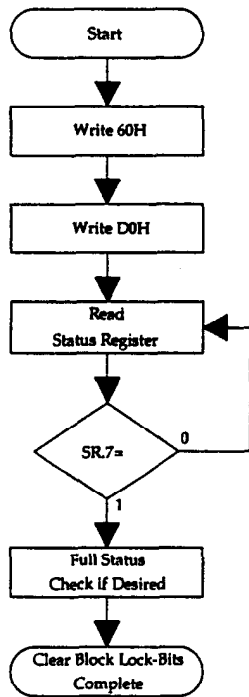
FULL STATUS CHECK PROCEDURE



Bus Operation	Command	Comments
Standby		Check SR.3 1=Vpp Error Detect
Standby		Check SR.1 1=Device Protect Detect RP=VIH (Set Master Lock-Bit Operation) RP=VIH, Master Lock-Bit is Set (Set Block Lock-Bit Operation)
Standby		Check SR.4,5 Both 1=Command Sequence Error
Standby		Check SR.4 1=Set Lock-Bit Error

SR.5,SR.4,SR.3 and SR.1 are only cleared by the Clear Status Register command in cases where multiple lock-bits are set before full status is checked.
If error is detected, clear the Status Register before attempting retry or other error recovery.

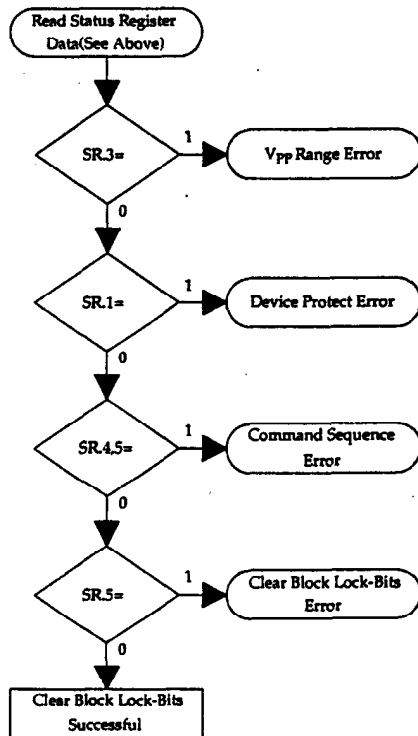
Figure 8. Set Block and Master Lock-Bit Flowchart



Bus Operation	Command	Comments
Write	Clear Block Lock-Bits Setup	Data=60H Addr=X
Write	Clear Block Lock-Bits Confirm	Data=D0H Addr=X
Read		Status Register Data
Standby		Check SR.7 1=WSM Ready 0=WSM Busy

Write FFH after the Clear Block Lock-Bits operation to place device in read array mode.

FULL STATUS CHECK PROCEDURE



Bus Operation	Command	Comments
Standby		Check SR.3 1=V _{pp} Error Detect
Standby		Check SR.1 1=Device Protect Detect RP=V _{TH} , Master Lock-Bit is Set
Standby		Check SR.4.5 Both 1=Command Sequence Error
Standby		Check SR.5 1=Clear Block Lock-Bits Error

SR.5, SR.4, SR.3 and SR.1 are only cleared by the Clear Status Register command.
If error is detected, clear the Status Register before attempting retry or other error recovery.

Figure 9. Clear Block Lock-Bits Flowchart

5 DESIGN CONSIDERATIONS

5.1 Three-Line Output Control

The device will often be used in large memory arrays. SHARP provides three control inputs to accommodate multiple memory connections. Three-line control provides for:

- a. Lowest possible memory power dissipation.
- b. Complete assurance that data bus contention will not occur.

To use these control inputs efficiently, an address decoder should enable \overline{CE} while \overline{OE} should be connected to all memory devices and the system's \overline{READ} control line. This assures that only selected memory devices have active outputs while deselected memory devices are in standby mode. \overline{RP} should be connected to the system $\overline{POWERGOOD}$ signal to prevent unintended writes during system power transitions. $\overline{POWERGOOD}$ should also toggle during system reset.

5.2 Power Supply Decoupling

Flash memory power switching characteristics require careful device decoupling. System designers are interested in three supply current issues; standby current levels, active current levels and transient peaks produced by falling and rising edges of \overline{CE} and \overline{OE} . Transient current magnitudes depend on the device

outputs' capacitive and inductive loading. Two-line control and proper decoupling capacitor selection will suppress transient voltage peaks. Each device should have a 0.1 μF ceramic capacitor connected between its V_{CC} and GND and between its V_{PP} and GND. These high-frequency, low inductance capacitors should be placed as close as possible to package leads. Additionally, for every eight devices, a 4.7 μF electrolytic capacitor should be placed at the array's power supply connection between V_{CC} and GND. The bulk capacitor will overcome voltage slumps caused by PC board trace inductance.

5.3 V_{PP} Trace on Printed Circuit Boards

Updating flash memories that reside in the target system requires that the printed circuit board designer pay attention to the V_{PP} Power supply trace. The V_{PP} pin supplies the memory cell current for byte writing and block erasing. Use similar trace widths and layout considerations given to the V_{CC} power bus. Adequate V_{PP} supply traces and decoupling will decrease V_{PP} voltage spikes and overshoots.

5.4 V_{CC} , V_{PP} , \overline{RP} Transitions

Block erase, byte write and lock-bit configuration are not guaranteed if V_{PP} falls outside of a valid V_{PPH} range, V_{CC} falls outside of a valid V_{CC1} range, or $\overline{RP} \neq V_{IH}$ or V_{HH} . If V_{PP} error is detected, status register bit SR.3 is set to "1" along with SR.4 or SR.5, depending on the attempted operation. If \overline{RP} transitions to V_{IL} during block erase, byte write, or lock-bit configuration, the operation will abort and the device will enter deep power-down. The aborted operation may leave data partially altered. Therefore, the command sequence must be repeated after normal operation is restored. Device power-off or \overline{RP} transitions to V_{IL} clear the status register.

The CUI latches commands issued by system software and is not altered by V_{PP} or \overline{CE} transitions or WSM actions. Its state is read array mode upon power-up, after exit from deep power-down or after V_{CC} transitions below V_{LKO} .

After block erase, byte write, or lock-bit configuration, even after V_{PP} transitions down to V_{PPLK} , the CUI must be placed in read array mode via the Read Array command if subsequent access to the memory array is desired.

5.5 Power-Up/Down Protection

The device is designed to offer protection against accidental block erasure, byte writing, or lock-bit configuration during power transitions. Upon power-up, the device is indifferent as to which power supply (V_{PP} or V_{CC}) powers-up first. Internal circuitry resets the CUI to read array mode at power-up.

A system designer must guard against spurious writes for V_{CC} voltages above V_{LKO} when V_{PP} is active. Since both \overline{WE} and \overline{CE} must be low for a command write, driving either to V_{IH} will inhibit writes. The CUI's two-step command sequence architecture provides added level of protection against data alteration.

In-system block lock and unlock capability prevents inadvertent data alteration. The device is disabled while $\overline{RP}=V_{IL}$ regardless of its control inputs state.

5.6 Power Dissipation

When designing portable systems, designers must consider battery power consumption not only during device operation, but also for data retention during system idle time. Flash memory's nonvolatility increases usable battery life because data is retained when system power is removed.

In addition, deep power-down mode ensures extremely low power consumption even when system power is applied. For example, portable computing products and other power sensitive applications that use an array of devices for solid-state storage can consume negligible power by lowering \overline{RP} to V_{IL} standby or sleep modes. If access is again needed, the devices can be read following the t_{PHQV} and t_{PHWL} wake-up cycles required after \overline{RP} is first raised to V_{IH} . See AC Characteristics- Read Only and Write Operations and Figures 12,13 and 14 for more information.

6 ELECTRICAL SPECIFICATIONS

6.1 Absolute Maximum Ratings*

Commercial Operating Temperature
 During Read, Block Erase, Byte Write
 and Lock-Bit Configuration.....-40°C to +85°C⁽¹⁾
 Temperature under Bias-40°C to +85°C

Storage Temperature-65°C to +125°C

Voltage On Any Pin
 (except V_{CC} , V_{PP} , and \overline{RP})-2.0V to +7.0V⁽²⁾

V_{CC} Supply Voltage.....-2.0V to +7.0V⁽²⁾

V_{PP} Update Voltage during
 Block Erase, Byte Write and
 Lock-Bit Configuration.....-2.0V to +14.0V^(2,3)

\overline{RP} Voltage with Respect to
 GND during Lock-Bit
 Configuration Operations.....-2.0V to +14.0V^(2,3)

Output Short Circuit Current 100mA⁽⁴⁾

*WARNING: Stressing the device beyond the "Absolute Maximum Ratings" may cause permanent damage. These are stress ratings only. Operation beyond the "Operating Conditions" is not recommended and extended exposure beyond the "Operating Conditions" may affect device reliability.

NOTES:

1. Operating temperature is for commercial product defined by this specification.
2. All specified voltages are with respect to GND. Minimum DC voltage is -0.5V on input/output pins and -0.2V on V_{CC} and V_{PP} pins. During transitions, this level may undershoot to -2.0V for periods <20ns. Maximum DC voltage on input/output pins and V_{CC} is $V_{CC}+0.5V$ which, during transitions, may overshoot to $V_{CC}+2.0V$ for periods <20ns.
3. Maximum DC voltage on V_{PP} and \overline{RP} may overshoot to +14.0V for periods <20ns.
4. Output shorted for no more than one second. No more than one output shorted at a time.

6.2 Operating Conditions

Temperature and V_{CC} Operating Conditions

Symbol	Parameter	Notes	Min	Max	Unit	Test Condition
T_A	Operating Temperature		-40	+85	°C	Ambient Temperature
V_{CC1}	V_{CC} Supply Voltage (2.7V-3.6V)	1	2.7	3.6	V	

NOTE:

1. FLASH Erase/Write ($T_A=0$ to 85°C)

6.2.1 AC INPUT/OUTPUT TEST CONDITIONS

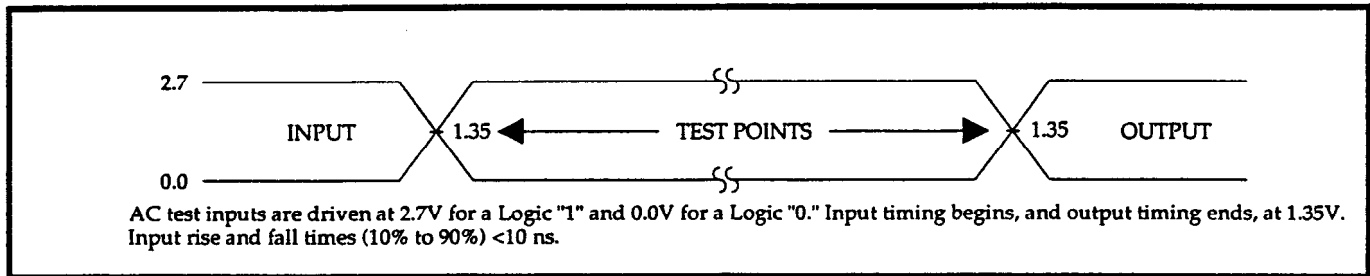
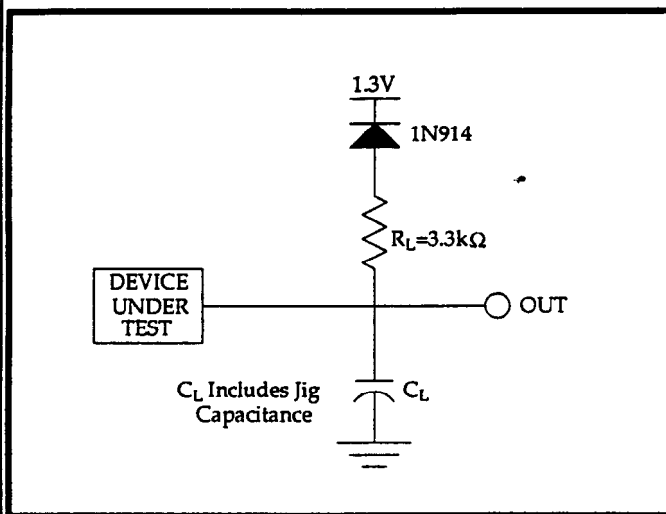


Figure 10. Transient Input/Output Reference Waveform for $V_{CC}=2.7V-3.6V$



Test Configuration Capacitance Loading Value

Test Configuration	C_L (pF)
$V_{CC}=2.7V-3.6V$	50

Figure 11. Transient Equivalent Testing Load Circuit

6.2.2 DC CHARACTERISTICS

DC Characteristics

Sym	Parameter	Notes	V _{CC} =2.7V-3.6V		Unit	Test Conditions
			Typ	Max		
I _{LI}	Input Load Current	1		±0.5	μA	V _{CC} =V _{CC} Max V _{IN} =V _{CC} or GND
I _{LO}	Output Leakage Current	1		±0.5	μA	V _{CC} =V _{CC} Max V _{OUT} =V _{CC} or GND
I _{CCS}	V _{CC} Standby Current	1,5	20	100	μA	CMOS Inputs V _{CC} =V _{CC} Max CE=RP=V _{CC} ±0.2V
			0.2	2	mA	TTL Inputs V _{CC} =V _{CC} Max CE=RP=V _{IH}
I _{CCD}	V _{CC} Deep Power-Down Current	1		20	μA	RP=GND±0.2V I _{OUT} =0mA
I _{CCR}	V _{CC} Read Current	1,4,5	7	12	mA	CMOS Inputs V _{CC} =V _{CC} Max, CE=GND f=5MHz(3.3V, 2.7V)I _{OUT} =0mA
			8	18	mA	TTL Inputs V _{CC} =V _{CC} Max, CE=GND f=5MHz(3.3V, 2.7V)I _{OUT} =0mA
I _{CCW}	V _{CC} Byte Write or Set Lock-Bit Current	1,6		17	mA	V _{PP} =V _{PPH}
I _{CCE}	V _{CC} Block Erase or Clear Block Lock-Bits Current	1,6		17	mA	V _{PP} =V _{PPH}
I _{CCWS} I _{CCES}	V _{CC} Byte Write or Block Erase Suspend Current	1,2	1	6	mA	CE=V _{IH}
I _{PPS} I _{PPR}	V _{PP} Standby or Read Current	1	±2	±15	μA	V _{PP} ≤V _{CC}
			10	200	μA	V _{PP} >V _{CC}
I _{PPD}	V _{PP} Deep Power-Down Current	1	0.1	5	μA	RP=GND±0.2V
I _{PPW}	V _{PP} Byte Write or Set Lock-Bit Current	1,6		40	mA	V _{PP} =V _{PPH}
I _{PPE}	V _{PP} Block Erase or Clear Lock-Bit Current	1,6		20	mA	V _{PP} =V _{PPH}
I _{PPWS} I _{PPES}	V _{PP} Byte Write or Block Erase Suspend Current	1	10	200	μA	V _{PP} =V _{PPH}

DC Characteristics (Continued)

Sym	Parameter	Notes	V _{CC} =2.7-3.6V		Unit	Test Conditions
			Min	Max		
V _{IL}	Input Low Voltage	6	-0.5	0.8	V	
V _{IH}	Input High Voltage	6	2.0	V _{CC} +0.5	V	
V _{OL}	Output Low Voltage	6		0.4	V	V _{CC} =V _{CC} Min, I _{OL} =2.0mA
V _{OH1}	Output High Voltage (TTL)	6	2.4		V	V _{CC} =V _{CC} Min, I _{OH} =-2.0mA
V _{OH2}	Output High Voltage (CMOS)	6	0.85		V	V _{CC} =V _{CC} Min I _{OH} =-2.5μA
			V _{CC}		V	V _{CC} =V _{CC} Min I _{OH} =-100μA
V _{PPLK}	V _{PP} Lockout during Normal Operations	3,6		1.5	V	
V _{PPH}	V _{PP} during Byte Write, Block Erase or Lock-Bit Operations		2.7	3.6	V	T _A =0 to 85°C
V _{LKO}	V _{CC} Lockout Voltage	-	2.0		V	
V _{HH}	RP Unlock Voltage	7,8	11.4	12.6	V	Set master lock-bit Override master and block lock-bit

NOTES:

1. All currents are in RMS unless otherwise noted.
2. I_{CCWS} and I_{CCES} are specified with the device de-selected. If read or byte written while in erase suspend mode, the device's current draw is the sum of I_{CCWS} or I_{CCES} and I_{CCR} or I_{CCW}, respectively.
3. Block erases, byte writes, and lock-bit configurations are inhibited when V_{PP} ≤ V_{PPLK}, and not guaranteed in the range between V_{PPLK}(Max) and V_{PPH}(Min) and above V_{PPH}(Max).
4. Automatic Power Savings (APS) reduces typical I_{CCR} to 3mA at 3.3V V_{CC} in static operation.
5. CMOS inputs are either V_{CC}±0.2V or GND±0.2V. TTL inputs are either V_{IL} or V_{IH}.
6. Sampled, not 100% tested.
7. Master lock-bit set operations are inhibited when $\overline{RP}=V_{IH}$. Block lock-bit configuration operations are inhibited when the master lock-bit is set and RP=V_{IH}. Block erases and byte writes are inhibited when the corresponding block-lock bit is set and $\overline{RP}=V_{IH}$.
8. \overline{RP} connection to a V_{HH} supply is allowed for a Maximum cumulative period of 80 hours.

6.2.3 AC CHARACTERISTICS - READ-ONLY OPERATIONS⁽¹⁾ $V_{CC}=2.7V-3.6V, T_A=-40^{\circ}C$ to $+85^{\circ}C$

Sym	Parameter	Notes	Min	Max	Unit
t_{AVAV}	Read Cycle Time		130		ns
t_{AVOQ}	Address to Output Delay			130	ns
t_{ELQV}	\overline{CE} to Output Delay	2		130	ns
t_{PHOV}	\overline{RP} High to Output Delay			600	ns
t_{GLOV}	\overline{OE} to Output Delay	2		50	ns
t_{ELQX}	\overline{CE} to Output in Low Z	3	0		ns
t_{EHOZ}	\overline{CE} High to Output in High Z	3		55	ns
t_{GLQX}	\overline{OE} to Output in Low Z	3	0		ns
t_{GHOZ}	\overline{OE} High to Output in High Z	3		20	ns
t_{OH}	Output Hold from Address, \overline{CE} or \overline{OE} Change, Whichever Occurs First	3	0		ns

NOTES:

1. See AC Input/Output Reference Waveform for maximum allowable input slew rate.
2. \overline{OE} may be delayed up to $t_{ELQV}-t_{GLQV}$ after the falling edge of \overline{CE} without impact on t_{ELQV} .
3. Sampled, not 100% tested.

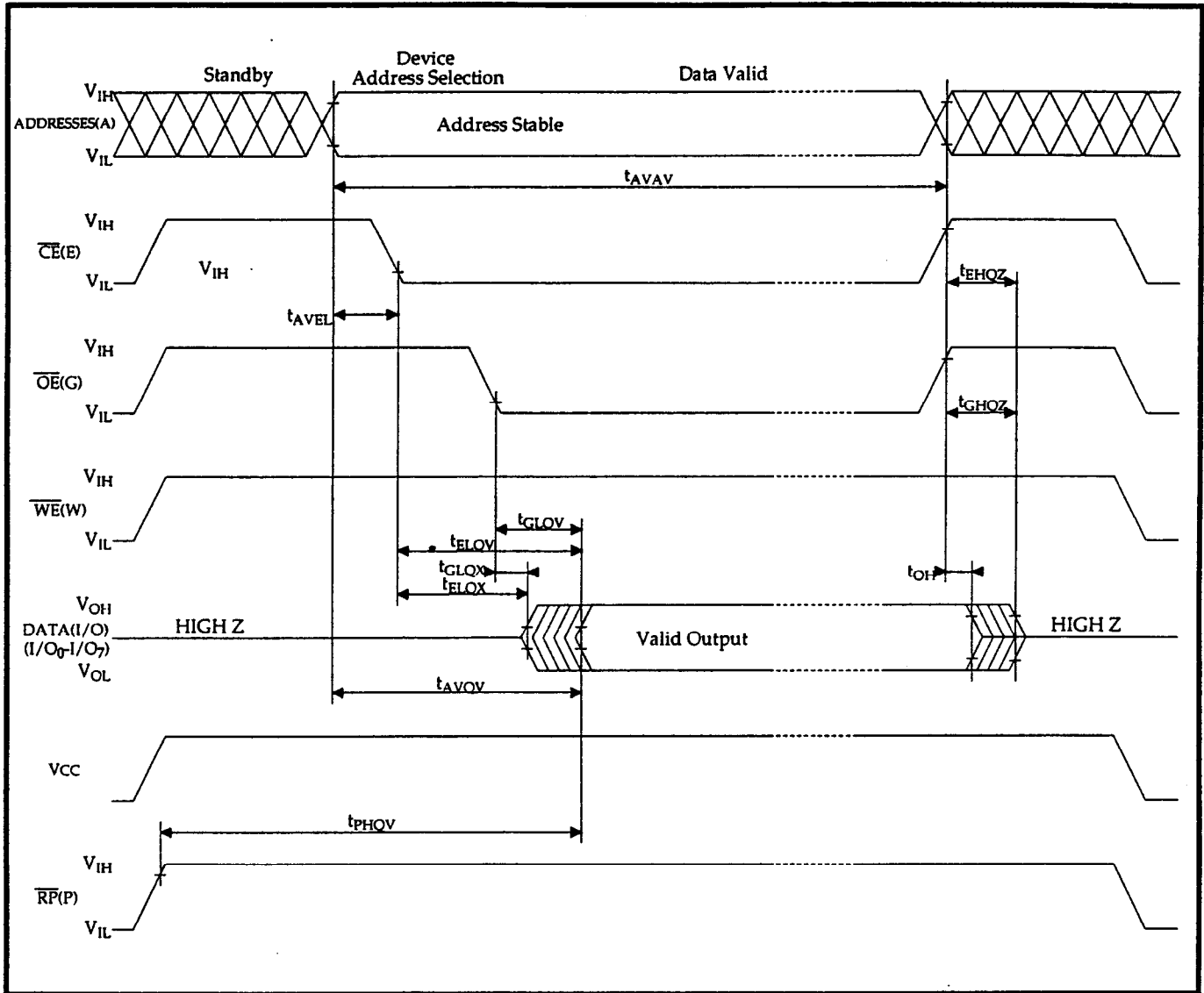


Figure 12. AC Waveform for Read Operations

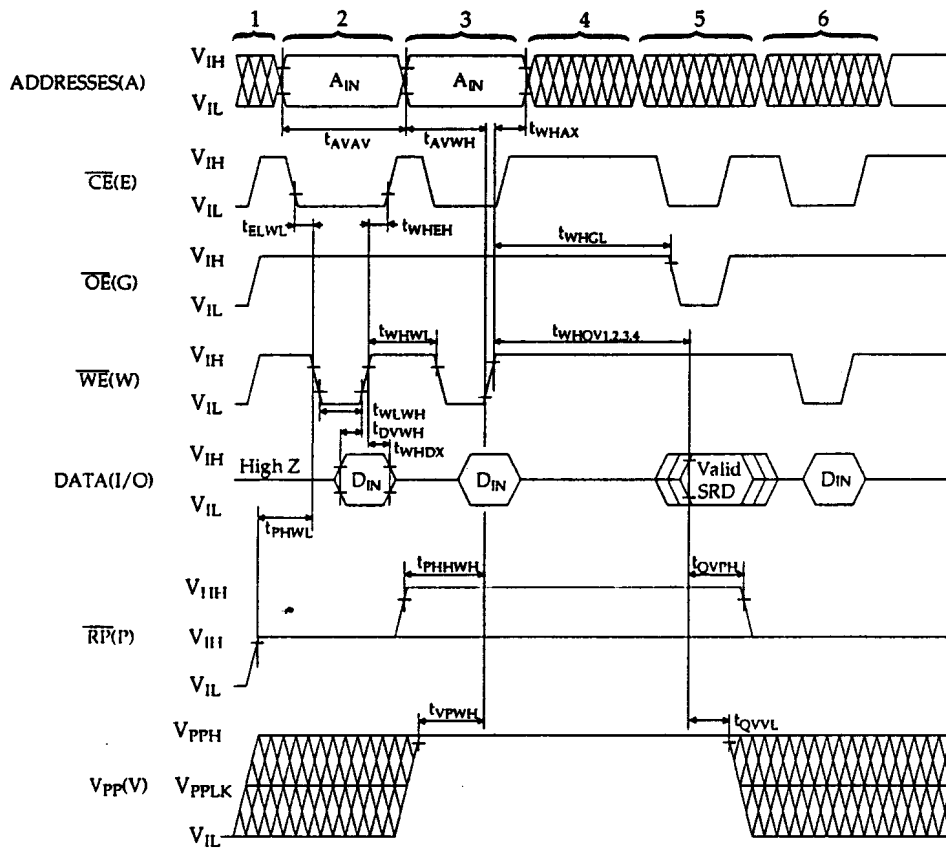
6.2.4 AC CHARACTERISTICS - WRITE OPERATION⁽¹⁾

$V_{CC}=2.7V-3.6V, T_A=0^{\circ}C$ to $+85^{\circ}C$

Sym	Parameter	Notes	Min	Max	Unit
t_{AVAV}	Write Cycle Time		130		ns
t_{PHWL}	\overline{RP} High Recovery to \overline{WE} Going Low	2	1		μs
t_{ELWL}	\overline{CE} Setup to \overline{WE} Going Low		10		ns
t_{WLWH}	\overline{WE} Pulse Width		50		ns
t_{PHHWH}	$\overline{RP} V_{HH}$ Setup to \overline{WE} Going High	2	100		ns
t_{VPWH}	V_{PP} Setup to \overline{WE} Going High	2	100		ns
t_{AVWH}	Address Setup to \overline{WE} Going High	3	50		ns
t_{DVWH}	Data Setup to \overline{WE} Going High	3	50		ns
t_{WHDX}	Data Hold from \overline{WE} High		5		ns
t_{WHAX}	Address Hold from \overline{WE} High		5		ns
t_{WHEH}	\overline{CE} Hold from \overline{WE} High		10		ns
t_{WHWL}	\overline{WE} Pulse Width High		30		ns
t_{WHGL}	Write Recovery before Read		0		ns
t_{QVVL}	V_{PP} Hold from Valid SRD	2,4	0		ns
t_{QVPH}	$\overline{RP} V_{HH}$ Hold from Valid SRD	2,4	0		ns

NOTES:

1. Read timing characteristics during block erase, byte write and lock-bit configuration operations are the same as during read-only operations. Refer to AC Characteristics for read-only operations.
2. Sampled, not 100% tested.
3. Refer to Table 4 for valid A_{IN} and D_{IN} for block erase, byte write, or lock-bit configuration.
4. V_{PP} should be held at V_{PPH} (and if necessary \overline{RP} should be held at V_{HH}) until determination of block erase, byte write, or lock-bit configuration success (SR.1/3/4/5=0).



NOTES:

1. V_{CC} power-up and standby.
2. Write block erase or byte write setup.
3. Write block erase confirm or valid address and data.
4. Automated erase or program delay.
5. Read status register data.
6. Write Read Array command.

Figure 13. AC Waveform for \overline{WE} -Controlled Write Operations

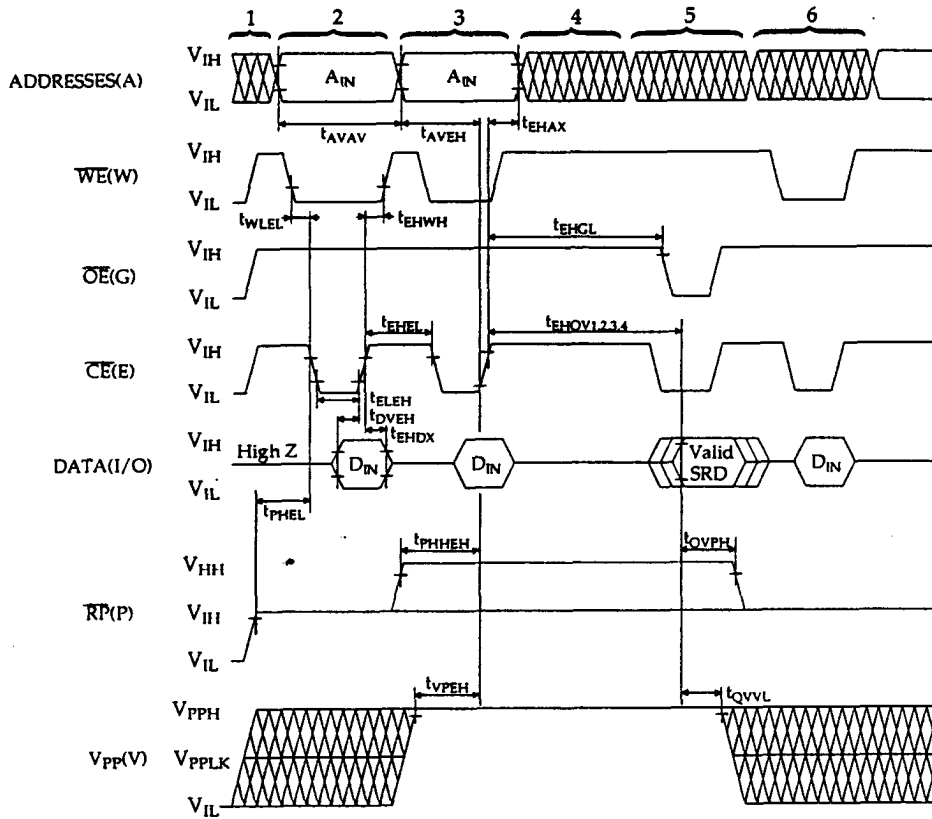
6.2.5 ALTERNATIVE \overline{CE} -CONTROLLED WRITES⁽¹⁾

$V_{CC}=2.7V-3.6V, T_A=0^{\circ}C$ to $+85^{\circ}C$

Sym	Parameter	Notes	Min	Max	Unit
t_{AVAV}	Write Cycle Time		130		ns
t_{PHEL}	\overline{RP} High Recovery to \overline{CE} Going Low	2	1		μs
t_{WLEL}	\overline{WE} Setup to \overline{CE} Going Low		0		ns
t_{LELH}	\overline{CE} Pulse Width		70		ns
t_{PHHEH}	$\overline{RP} V_{HH}$ Setup to \overline{CE} Going High	2	100		ns
t_{VPEH}	V_{PP} Setup to \overline{CE} Going High	2	100		ns
t_{AVEH}	Address Setup to \overline{CE} Going High	3	50		ns
t_{DVEH}	Data Setup to \overline{CE} Going High	3	50		ns
t_{EHDX}	Data Hold from \overline{CE} High		5		ns
t_{EHAX}	Address Hold from \overline{CE} High		5		ns
t_{EHWLH}	\overline{WE} Hold from \overline{CE} High		0		ns
t_{EHEL}	\overline{CE} Pulse Width High		25		ns
t_{EHGL}	Write Recovery before Read		0		ns
t_{QVVL}	V_{PP} Hold from Valid SRD	2,4	0		ns
t_{QVPH}	$\overline{RP} V_{HH}$ Hold from Valid SRD	2,4	0		ns

NOTES:

1. In systems where \overline{CE} defines the write pulse width (within a longer \overline{WE} timing waveform), all setup, hold, and inactive \overline{WE} times should be measured relative to the \overline{CE} waveform.
2. Sampled, not 100% tested.
3. Refer to Table 4 for valid A_{IN} and D_{IN} for block erase, byte write, or lock-bit configuration.
4. V_{PP} should be held at V_{PPH} (and if necessary \overline{RP} should be held at V_{HH}) until determination of block erase, byte write, or lock-bit configuration success (SR.1/3/4/5=0).



- NOTES:
1. V_{CC} power-up and standby.
 2. Write block erase or byte write setup.
 3. Write block erase confirm or valid address and data.
 4. Automated erase or program delay.
 5. Read status register data.
 6. Write Read Array command.

Figure 14. Alternate AC Waveform for CE-Controlled Write Operations

6.2.6 RESET OPERATIONS

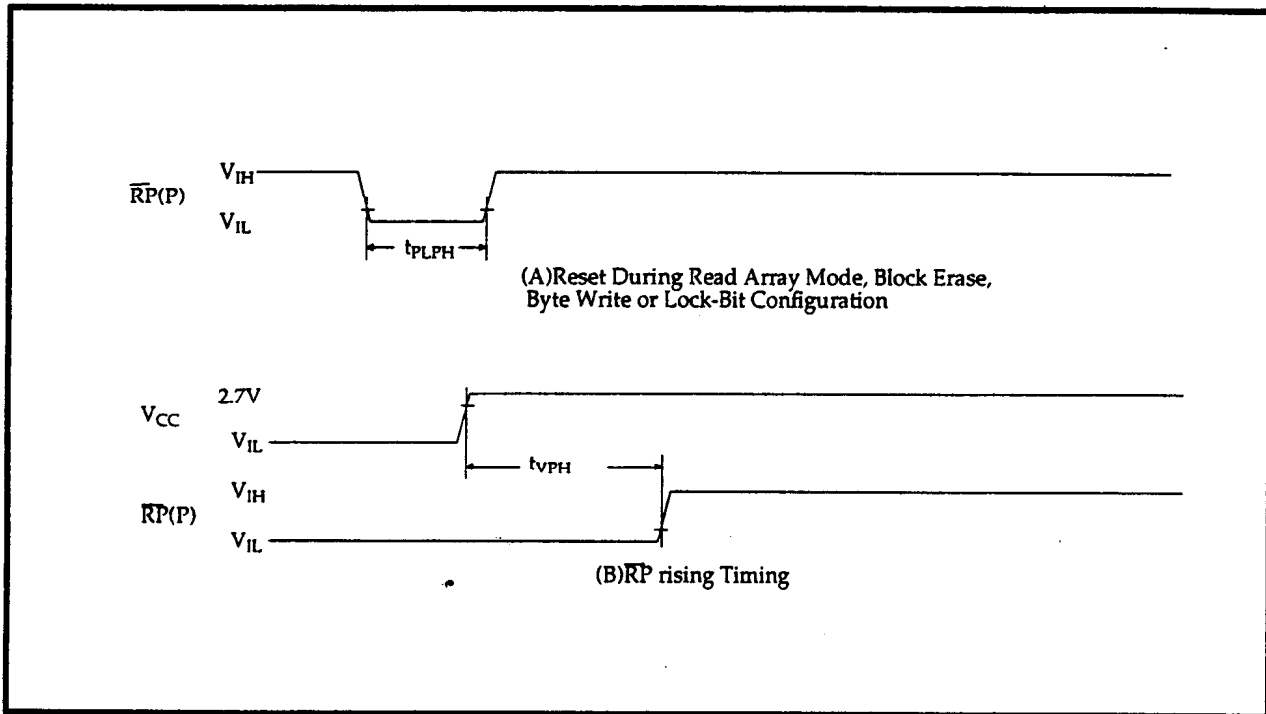


Figure 15. AC Waveform for Reset Operation

Reset AC Specifications

Sym	Parameter	Notes	$V_{CC}=2.7-3.6V$		Unit
			Min	Max	
t_{PLPH}	\overline{RP} Pulse Low Time (If \overline{RP} is tied to V_{CC} , this specification is not applicable)		100		ns
t_{VPH}	V_{CC} 2.7V to \overline{RP} High	1	100		ns

NOTES:

1. When the device power-up, holding \overline{RP} low minimum 100ns is required after V_{CC} has been in predefined range and also has been in stable there.

6.2.7 BLOCK ERASE, BYTE WRITE AND LOCK-BIT CONFIGURATION PERFORMANCE⁽³⁾ $V_{CC}=2.7V-3.6V, T_A=0^{\circ}C$ to $+85^{\circ}C$

Sym	Parameter	Notes	$V_{PP}=2.7-3.6V$			Unit
			Min	Typ ⁽¹⁾	Max	
t_{WHQV1} t_{EHQV1}	Byte Write Time	2		17		μs
	Block Write Time	2		1.1		sec
t_{WHQV2} t_{EHQV2}	Block Erase Time	2		1.8		sec
t_{WHQV3} t_{EHQV3}	Set Lock-Bit Time	2		21		μs
t_{WHQV4} t_{EHQV4}	Clear Block Lock-Bits Time	2		1.8		sec
t_{WHRH1} t_{EHRH1}	Byte Write Suspend Latency Time to Read			7.1	10	μs
t_{WHRH2} t_{EHRH2}	Erase Suspend Latency Time to Read			15.2	21.1	μs

NOTES:

1. Typical values measured at $T_A=+25^{\circ}C$ and nominal voltages. Assumes corresponding lock-bits are not set. Subject to change based on device characterization.
2. Excludes system-level overhead.
3. Sampled but not 100% tested.

Part 3 SRAM CONTENTS

1. Description	43
2. Truth Table	44
3. Block Diagram	44
4. Absolute Maximum Ratings	45
5. Recommended DC Operating Conditions	45
6. DC Electrical Characteristics	45
7. AC Electrical Characteristics	46
8. Data Retention Characteristics	47
9. Timing Chart	48

1. Description

The LRS1302 is a static RAM organized as $131,072 \times 8$ bit which provides low-power standby mode.

It is fabricated using silicon-gate CMOS process technology.

Features

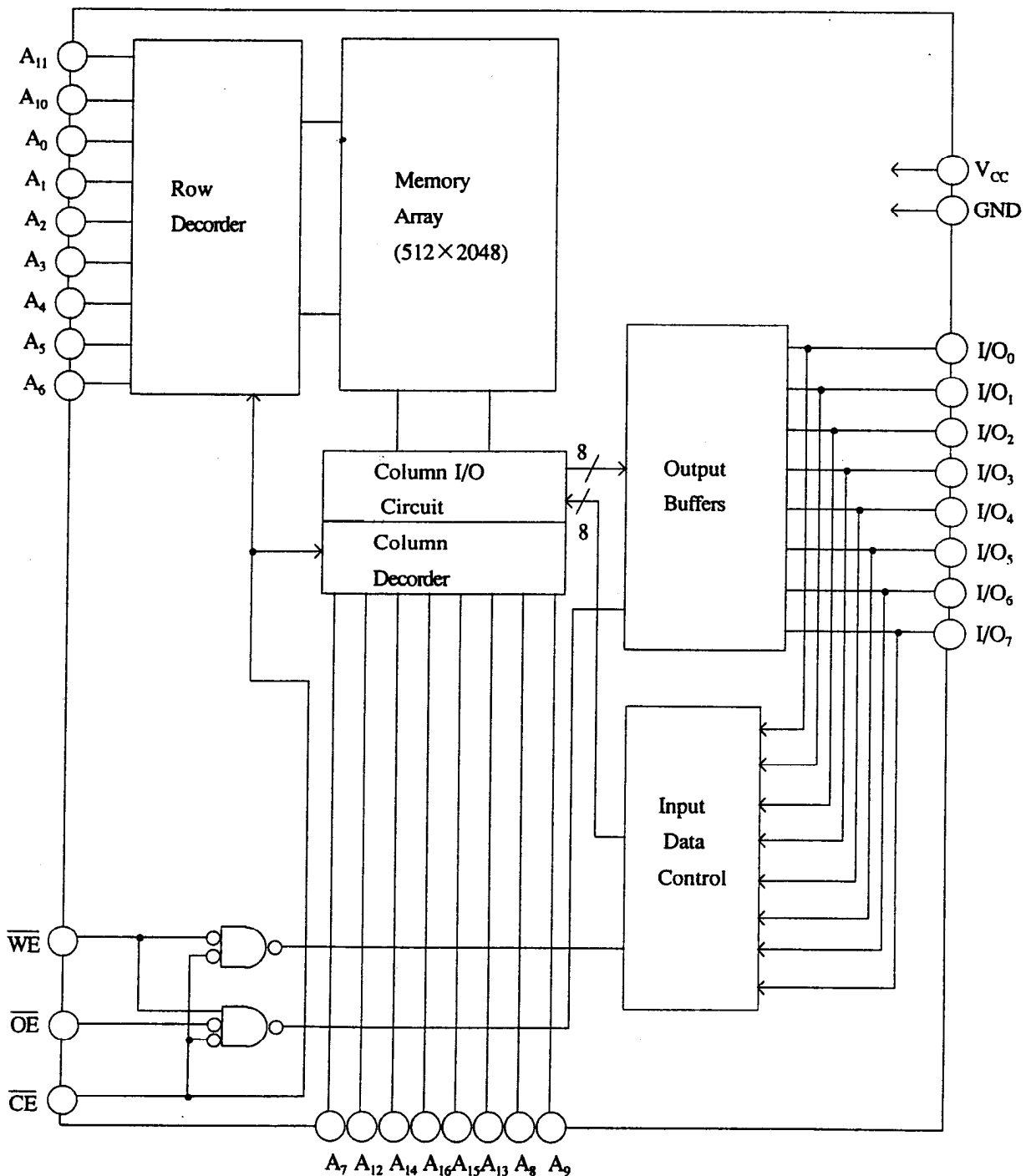
Access Time	70 ns(Max.)
Operating current	25 mA(Max. $t_{\text{CYCLE}}=200\text{ns}$)
Standby current	30 μA (Max.)
Data retention current	0.7 μA (Typ. $V_{\text{CCDR}}=3\text{V}$, $T_s=25^\circ\text{C}$)
Single power supply	2.7V to 3.6V
Operating temperature	-40°C to $+85^\circ\text{C}$
Fully static operation	
Three-state output	
Not designed or rated as radiation hardened	
N-type bulk silicon	

2. Truth Table (\overline{CE} , \overline{OE} and \overline{WE} mean S- \overline{CE} , S- \overline{OE} and S- \overline{WE} respectively.)

\overline{CE}	\overline{WE}	\overline{OE}	Mode	I/O ₀ to I/O ₇	Supply current
H	X	X	Standby	High impedance	Standby(I _{SB})
L	L	X	Write	Data input	Active(I _{CC})
L	H	L	Read	Data output	Active(I _{CC})
L	H	H	Output disable	High impedance	Active(I _{CC})

(X=Don't Care, L=Low, H=High)

3. Block Diagram (V_{CC} means S-V_{CC})



4. Absolute Maximum Ratings

Parameter	Symbol	Ratings	Unit
Supply voltage(*1)	V_{CC}	-0.2 to +4.6	V
Input voltage(*1)	V_{IN}	-0.3 (*2) to $V_{CC}+0.3$	V
Operating temperature	T_{opr}	-40 to +85	°C
Storage temperature	T_{stg}	-65 to +125	°C

Notes

- * 1. The maximum applicable voltage on any pin with respect to GND.
- * 2. -2.0V undershoot is allowed to the pulse width less than 50ns.

5. Recommended DC Operating Conditions

($T_a = -40^{\circ}\text{C}$ to $+85^{\circ}\text{C}$)

Parameter	Symbol	Min.	Typ.	Max.	Unit
Supply voltage	V_{CC}	2.7	3.0	3.6	V
Input voltage	V_{IH}	2.2		$V_{CC}+0.3$	V
	V_{IL}	-0.3 (*3)		0.4	V

Note

- * 3. -2.0V undershoot is allowed to the pulse width less than 50ns.

6. DC Electrical Characteristics

($T_a = -40^{\circ}\text{C}$ to $+85^{\circ}\text{C}$, $V_{CC} = 2.7\text{V}$ to 3.6V)

Parameter	Symbol	Conditions	Min.	Typ.	Max.	Unit
Input leakage current	I_{LI}	$V_{IN}=0\text{V}$ to V_{CC}	-1.0		1.0	μA
Output leakage current	I_{LO}	$\overline{CE}=V_{IH}$ or $\overline{OE}=V_{IH}$ or $\overline{WE}=V_{IL}$ $V_{IO}=0\text{V}$ to V_{CC}	-1.0		1.0	μA
Operating supply current	I_{CC1}	$\overline{CE}=V_{IL}$, $V_{IN}=V_{IL}$ or V_{IH}			30	mA
	I_{CC2}	$\overline{CE} \leq 0.2\text{V}$ $V_{IN}=0.2\text{V}$ or $V_{CC}-0.2\text{V}$			25	mA
Standby current	I_{SB}	$\overline{CE} \geq V_{CC}-0.2\text{V}$		0.7 (*4)	30	μA
	I_{SB1}	$\overline{CE}=V_{IH}$			1.0	mA
Output voltage	V_{OL}	$I_{OL}=2.0\text{mA}$			0.4	V
	V_{OH}	$I_{OH}=-2.0\text{mA}$	2.4			V

Note

- * 4. $T_a=25^{\circ}\text{C}$, $V_{CC}=3.0\text{V}$

7. AC Electrical Characteristics

AC Test Conditions

Input pulse level	0.4V to 2.4V
Input rise and fall time	5ns
Input and Output timing Ref. level	1.5V
Output load	1TTL+C _L (100pF) (*5)

Note

* 5. Including scope and jig capacitance.

Read cycle

(T_a = -40°C to +85°C , V_{CC} = 2.7V to 3.6V)

Parameter	Symbol	Min.	Max.	Unit	
Read cycle time	t _{RC}	70		ns	
Address access time	t _{AA}		70	ns	
$\overline{\text{CE}}$ access time	t _{ACE}		70	ns	
Output enable to output valid	t _{OE}		40	ns	
Output hold from address change	t _{OH}	10		ns	
$\overline{\text{CE}}$ Low to output active	t _{LZ}	5		ns	*6
$\overline{\text{OE}}$ Low to output active	t _{OLZ}	0		ns	*6
$\overline{\text{CE}}$ High to output in High impedance	t _{HZ}		30	ns	*6
$\overline{\text{OE}}$ High to output in High impedance	t _{OZH}		30	ns	*6

Write cycle

(T_a = -40°C to +85°C , V_{CC} = 2.7V to 3.6V)

Parameter	Symbol	Min.	Max.	Unit	
Write cycle time	t _{WC}	70		ns	
Chip enable to end of write	t _{CW}	60		ns	
Address valid to end of write	t _{AW}	60		ns	
Address setup time	t _{AS}	0		ns	
Write pulse width	t _{WP}	55		ns	
Write recovery time	t _{WR}	0		ns	
Input data setup time	t _{DW}	30		ns	
Input data hold time	t _{DH}	0		ns	
$\overline{\text{WE}}$ High to output active	t _{OW}	5		ns	*6
$\overline{\text{WE}}$ Low to output in High impedance	t _{WZ}		30	ns	*6
$\overline{\text{OE}}$ High to output in High impedance	t _{OZH}		30	ns	*6

Note

*6. Active output to High impedance and High impedance to output active tests specified for a ±200mV transition from steady state levels into the test load.

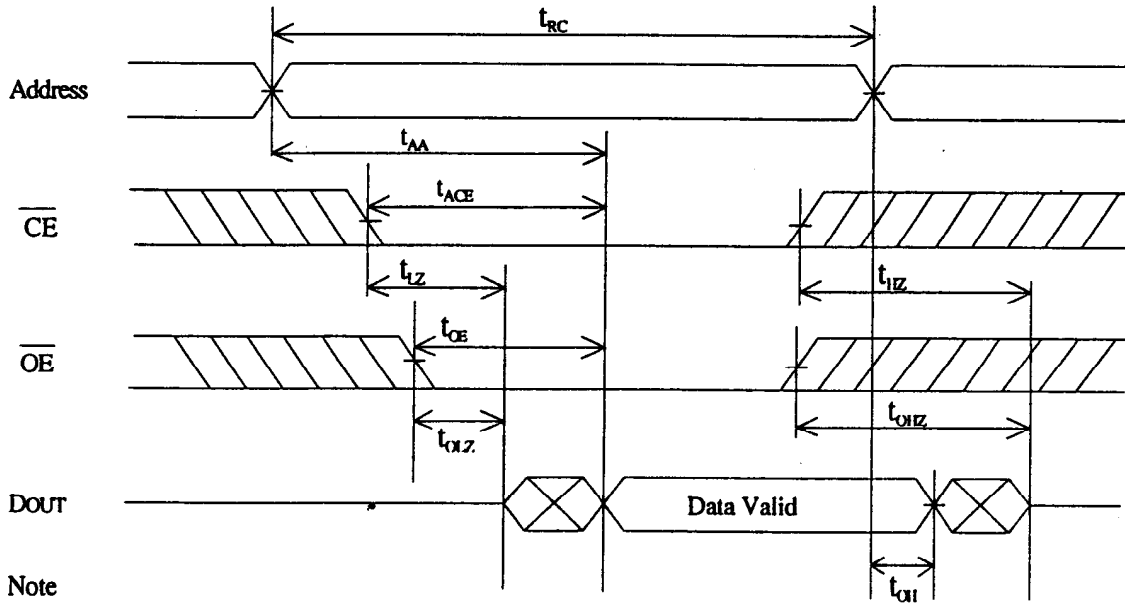
8. Data Retention Characteristics

($T_i = -40^{\circ}\text{C}$ to $+85^{\circ}\text{C}$)

Parameter	Symbol	Conditions	Min.	Typ.	Max.	Unit
Data Retention supply voltage	V_{CCDR}	$\overline{\text{CE}} \geq V_{\text{CCDR}} - 0.2\text{V}$	2.0		3.6	V
Data Retention supply current	I_{CCDR}	$V_{\text{CCDR}} = 3\text{V}$		0.7	1.0	μA
		$\overline{\text{CE}} \geq V_{\text{CCDR}} - 0.2\text{V}$			25	μA
Chip enable setup time	t_{CDR}		0			ms
Chip enable hold time	t_{R}		5			ms

9. Timing Chart

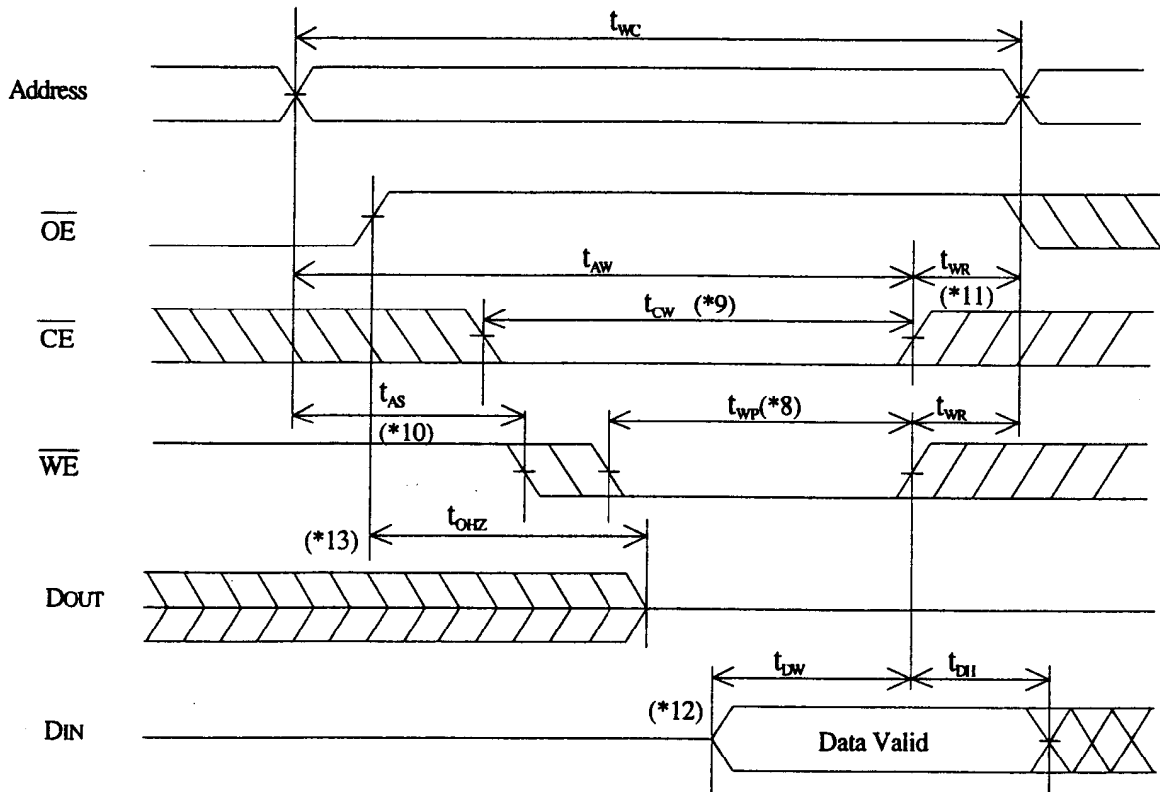
Read cycle timing chart (*7)



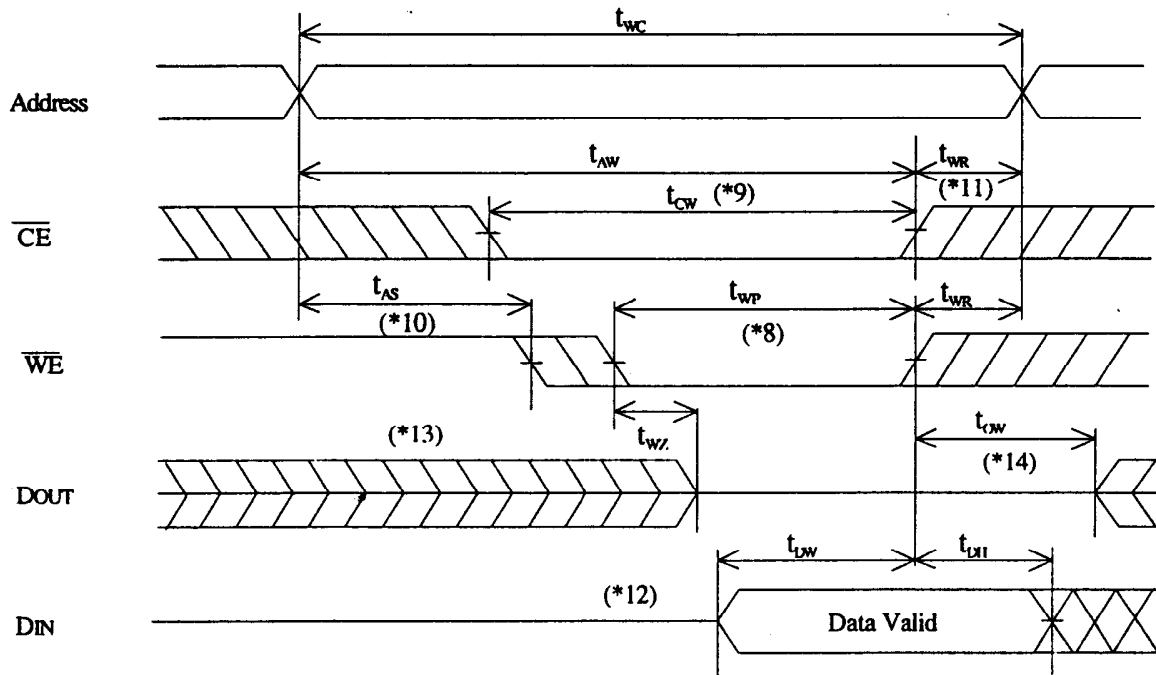
Note

* 7. $\overline{\text{WE}}$ is high for Read cycle.

Write cycle timing chart ($\overline{\text{OE}}$ Controlled)



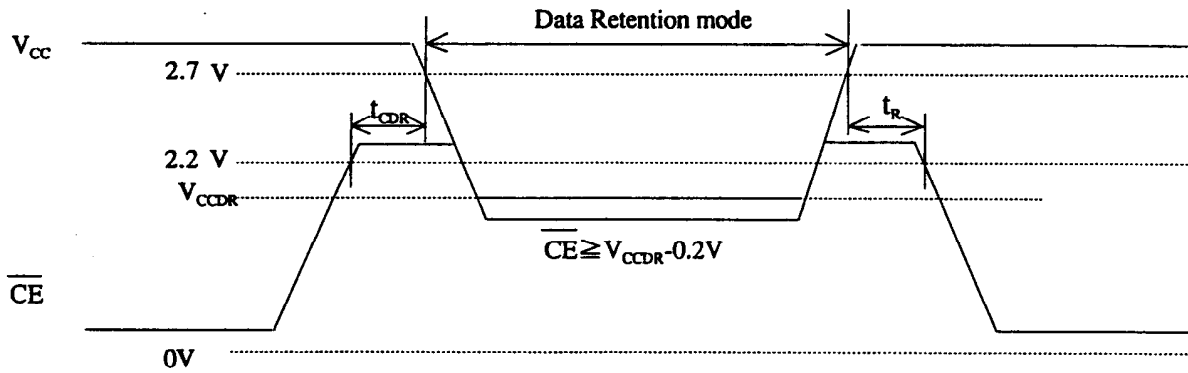
Write cycle timing chart (\overline{OE} Low fixed)



Notes

- * 8. A write occurs during the overlap of a low \overline{CE} and low \overline{WE} .
A write begins at the latest transition among \overline{CE} going low and \overline{WE} going low.
A write ends at the earliest transition among \overline{CE} going high and \overline{WE} going high. t_{wp} is measured from the beginning of write to the end of write.
- * 9. t_{cw} is measured from the \overline{CE} going low to the end of write.
- * 10. t_{as} is measured from the address valid to the beginning of write.
- * 11. t_{wr} is measured from the end of write to the address change. t_{wr} applies in case a write ends at \overline{CE} or \overline{WE} going high.
- * 12. During this period, I/O pins are in the output state, therefore the input signals of opposite phase to the outputs must not be applied.
- * 13. If \overline{CE} goes low simultaneously with \overline{WE} going low or after \overline{WE} going low, the outputs remain in high impedance state.
- * 14. If \overline{CE} goes high simultaneously with \overline{WE} going high or before \overline{WE} going high, the outputs remain in high impedance state.

Data Retention timing chart



PART 4 Package and packing specification

1. Package Outline Specification

Refer to drawing No. AA2017

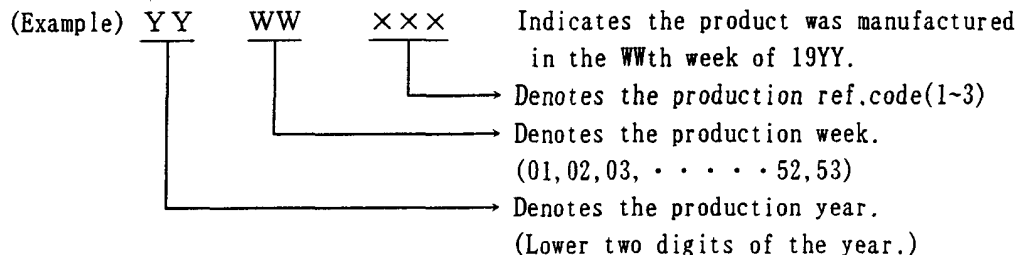
2. Markings

2-1. Marking contents

(1) Product name : LRS1302

(2) Company name : SHARP

(3) Date code



(4) The marking of "JAPAN" indicates the country of origin.

2-2. Marking layout

Refer drawing No. AA2017

(This layout does not define the dimensions of marking character and marking position.)

3. Surface Mount Conditions

Please perform the following conditions when mounting ICs not to deteriorate IC quality.

3-1. Soldering conditions (The following conditions are valid only for one time soldering.)

Mounting Method	Temperature and Duration	Measurement Point
Reflow soldering (air)	Peak temperature of 230°C or less, duration of less than 15 seconds. 200°C or over, duration of less than 40 seconds. Temperature increase rate of 1~4°C/second	IC package surface
Manual soldering (soldering iron)	260°C or less, duration of less than 10 seconds	IC outer lead surface

3-2. Conditions for removal of residual flux

- (1) Ultrasonic washing power : 25 Watts/liter or less
- (2) Washing time : Total 1 minute maximum
- (3) Solvent temperature : 15~40°C

4. Packing Specification (Embossed Carrier Taping Specification)

This standard apply to the embossed carrier taping specification for ICs to be delivered from SHARP CORPORATION. SHARP's embossed carrier taping specification are generally based on those set forth by the Japanese Industrial Standard JIS C 0806 and the EIA481A.

4-1. Tape Structure

• Embossed carrier tape is made of conductive plastic. The embossed portions of the carrier tape are filled with IC packages and covered with a top covering tape to enclose them.

4-2. Taping Reel and Embossed Carrier Tape Size

• For the taping reel and embossed carrier tape sizes, refer to the attached drawings (NO.CV674 and CV755)

4-3. IC Package Enclosure in Embossed Carrier Tape

• The IC package enclosure direction in the embossed portion as it compares to the direction in which the tape is pulled is indicated by an index mark on package (Index mark indicate the NO.1 pin on package) in the attached drawing (NO. CV522).

4-4. Missing IC Packages inside Embossed Carrier Tape

• The number of missing IC packages inside the embossed carrier tape should not exceed 0.1% of the total enclosed in the tape per reel, or 1, whichever may be larger. There should never be more than two consecutive missing IC package.

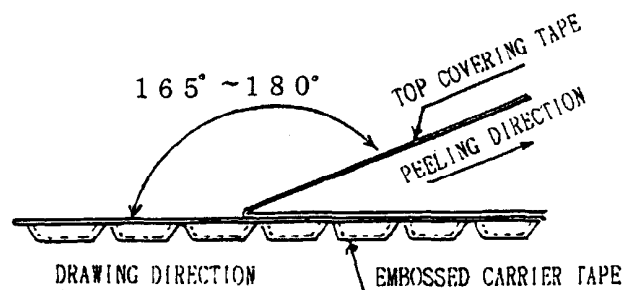
4-5. Tape Joints

• The embossed carrier tape should not have more than one joint per reel.

4-6. Peeling Strength of the Top Covering Tape

• Peeling strength must meet the following conditions.

- 1) Peeling angle
at 165° to 180°
- 2) Peeling speed
at 300mm/min.
- 3) Peeling strength
at 0.2 to 0.7N(20 to 70gf)



4-7. Packing

- The top covering tape (leader side) at the leading edge of the embossed carrier tape, and the trailing edge of the embossed carrier tape, shall be held in place with paper adhesive tape exceeding 30mm in length.
- The leading and trailing edges of the embossed carrier tape shall be left empty (with embossed portions not filled with IC packages), in the attached drawing (NO. CV522).
- The number of IC packages enclosed in the embossed carrier tape per reel shall, in principle, be as listed below.

Package Type	Number of IC Packages/Reel
SOP14-P-225	2,500 pcs
SOP16-P-225	2,500 pcs
SOP24-P-450	1,500 pcs
SOP28-P-450	1,000 pcs
SOP32-P-525	1,000 pcs
SOP44-P-600	750 pcs
TSOP40-P-0813	1,000 pcs

4-8. Indications

- The following shall be indicated on the taping reel and the packing case.
 - 1) Part Number (Product Name)
 - 2) Storage Quantity
 - 3) Production Date
 - 4) Manufacture's Name (SHARP)

4-9. Protection While in Transit

Embossed carrier tape should be free from deformed IC leads and deterioration in electrical characteristics.

5. Packing Specification (Dry packing for surface mount packages)

Dry packing is used for the purpose of maintaining IC quality after mounting packages on the PCB (Printed Circuit Board).

When the epoxy resin which is used for plastic packages is stored at high humidity, it may absorb 0.15% or more of its weight in moisture. If the surface mount type package for a relatively large chip absorbs a large amount of moisture between the epoxy resin and insert material (e.g. chip, lead frame) this moisture may suddenly vaporize into steam when the entire package is heated during the soldering process (e.g. VPS). This causes expansion and results in separation between the resin and insert material, and sometimes cracking of the package. This dry packing is designed to prevent the above problem from occurring in surface mount packages. Please conform to the following conditions concerning the storage and opening of dry packing.

5-1. Store under conditions shown below before opening the dry packing

- (1) Temperature range : 5~40°C
- (2) Humidity : 80% RH or less

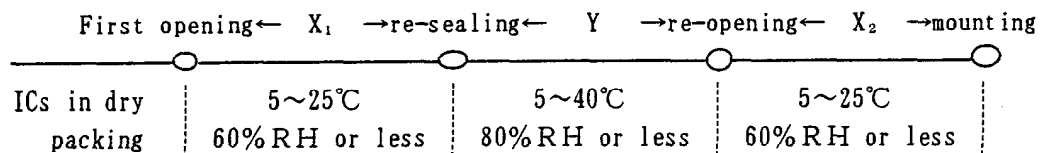
5-2. Notes on opening the dry packing

Before opening the dry packing, prepare a working table which is grounded against ESD and use a grounding strap.

5-3. Storage after opening the dry packing

Perform the following to prevent absorption of moisture after opening.

- (1) After opening the dry packing, store the ICs in an environment with a temperature of 5~25°C and a relative humidity of 60% or less and mount ICs within 3 days after opening dry packing.
- (2) To re-store the ICs for an extended period of time within 3 days after opening the dry packing, use a dry box or re-seal the ICs in the dry packing with desiccant (whose indicator is blue), and store in an environment with a temperature of 5~40°C and a relative humidity of 80% or less, and mount ICs within 2 weeks.
- (3) Total period of storage after first opening and re-opening is within 3 days, and store the ICs in the same environment as section 5-3.(1).



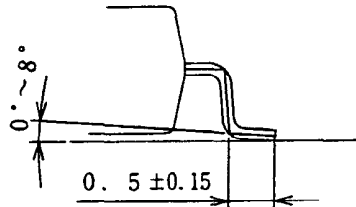
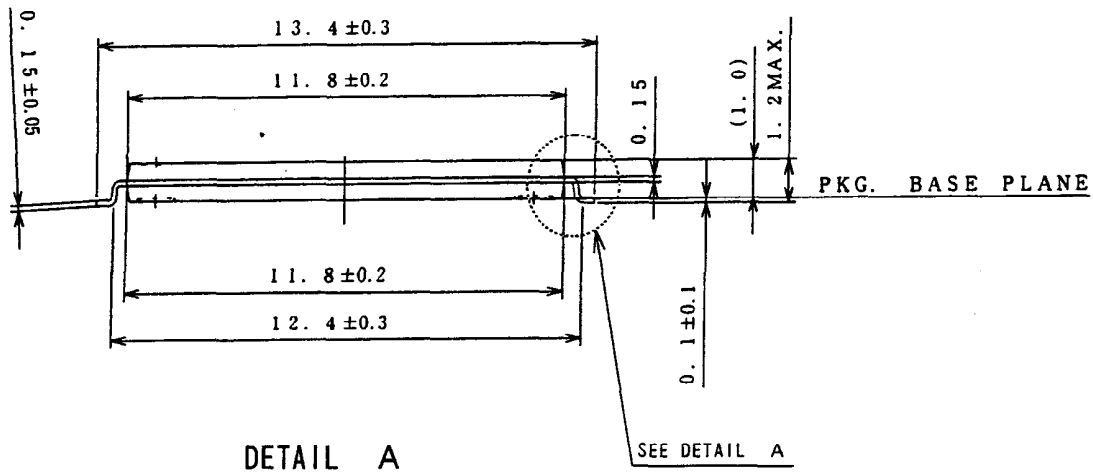
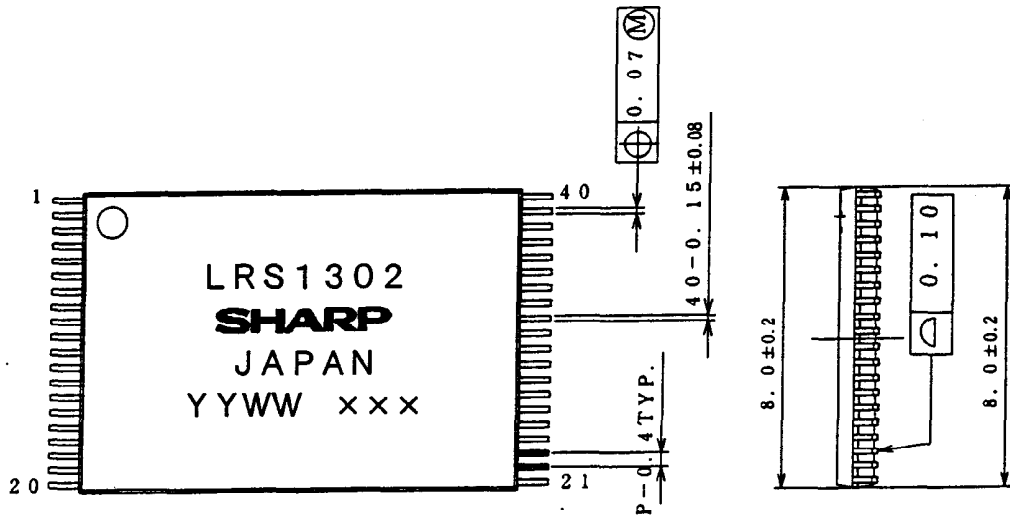
$X_1 + X_2$: within 3 days
Y : within 2 weeks

5-4. Baking (drying) before mounting

- (1) Baking is necessary
 - (A) If the humidity indicator in the desiccant becomes pink
 - (B) If the procedure in section 5-3 could not be performed
- (2) Recommended baking conditions

If the above conditions (A) and (B) are applicable, bake it before mounting. The recommended conditions are 16~24 hours at 120°C or 5~10 hours at 150°C. Note that the embossed carrier tape can not be baked at the above temperature. Please transfer ICs to heat resistant carrier.
- (3) Storage after baking

After baking ICs, store the ICs in the same environment as section 5-3.(1).

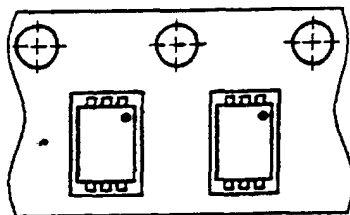


名称 NAME	TSOP40-P-0813/0.4	リード仕上 LEAD FINISH	TIN-LEAD PLATING	備考 NOTE	プラスチックパッケージ外形寸法は、バリを含まないものとする。 Plastic body dimensions do not include burr of resin.
DRAWING NO.	AA2017	単位 UNIT	mm		

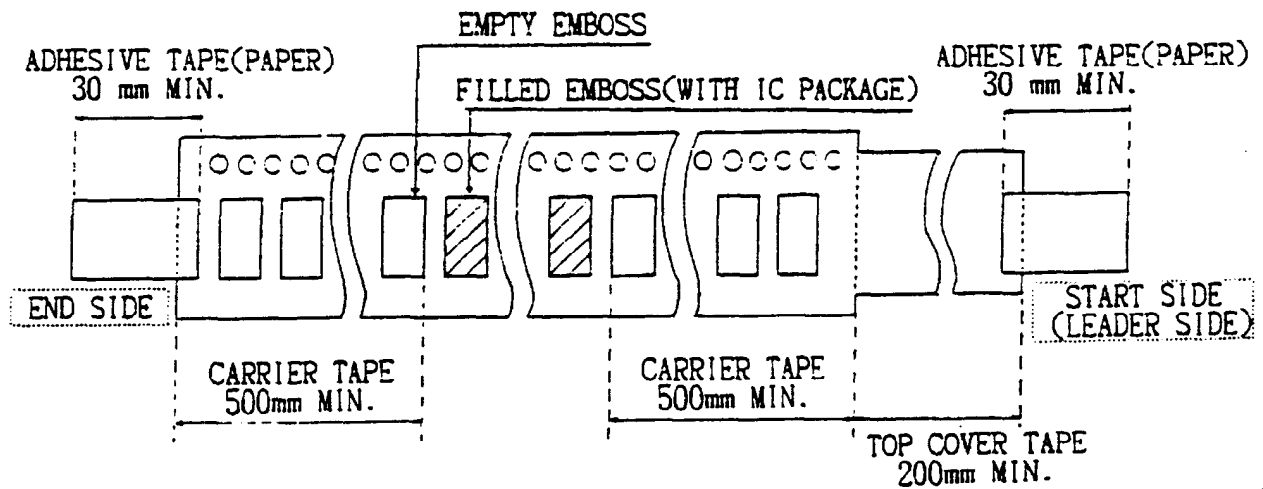
EMBOSS TAPING TYPE

IC TAPING DIRECTION

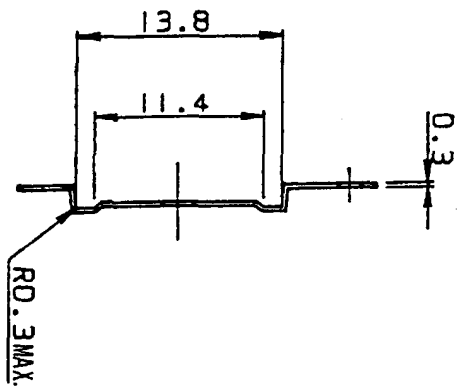
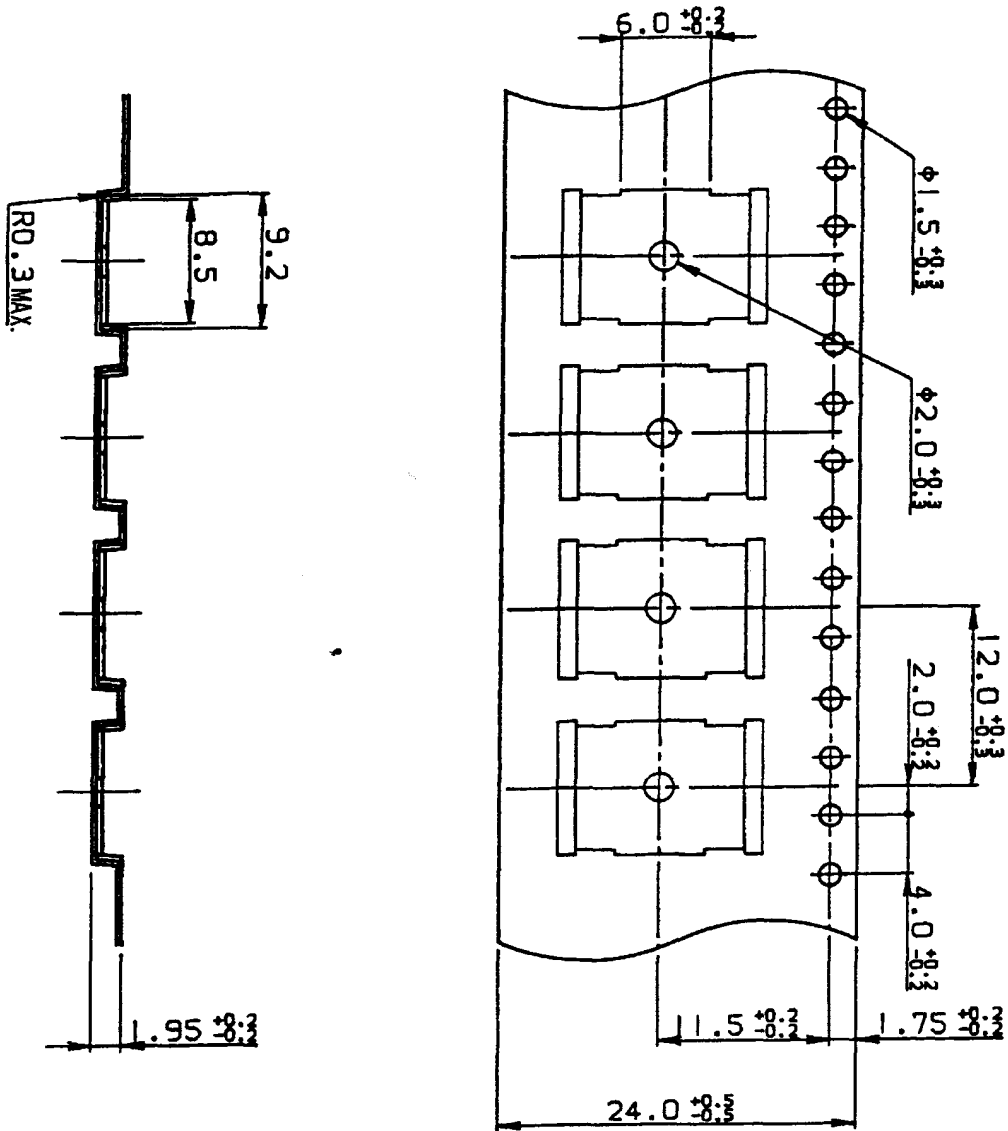
THE DRAWING DIRECTION OF TAPE →



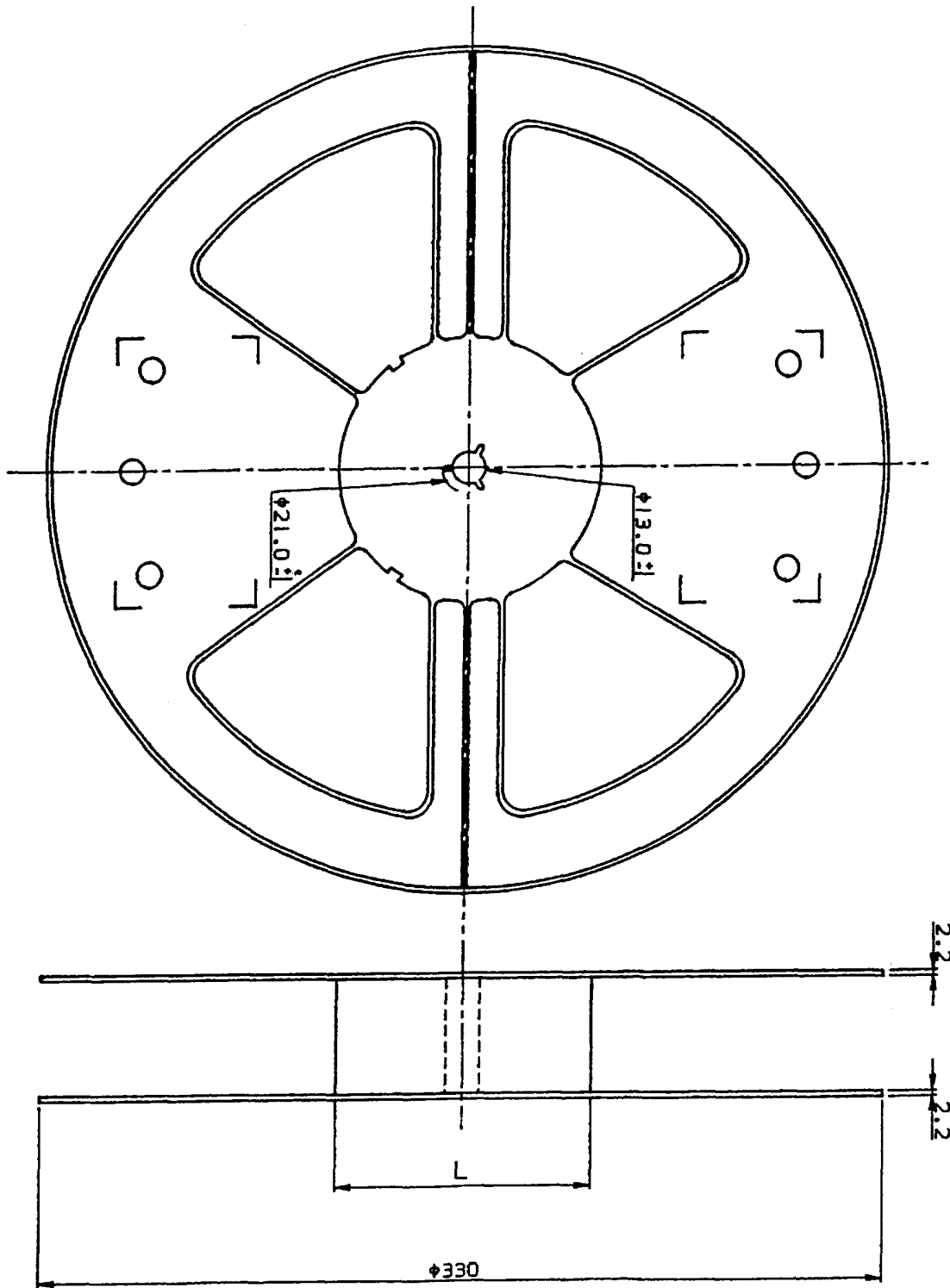
LEADER SIDE AND END SIDE OF TAPE



名称 NAME	EMBOSS TAPING TYPE			備考 NOTE
DRAWING NO.	CV522	単位 UNIT	mm	

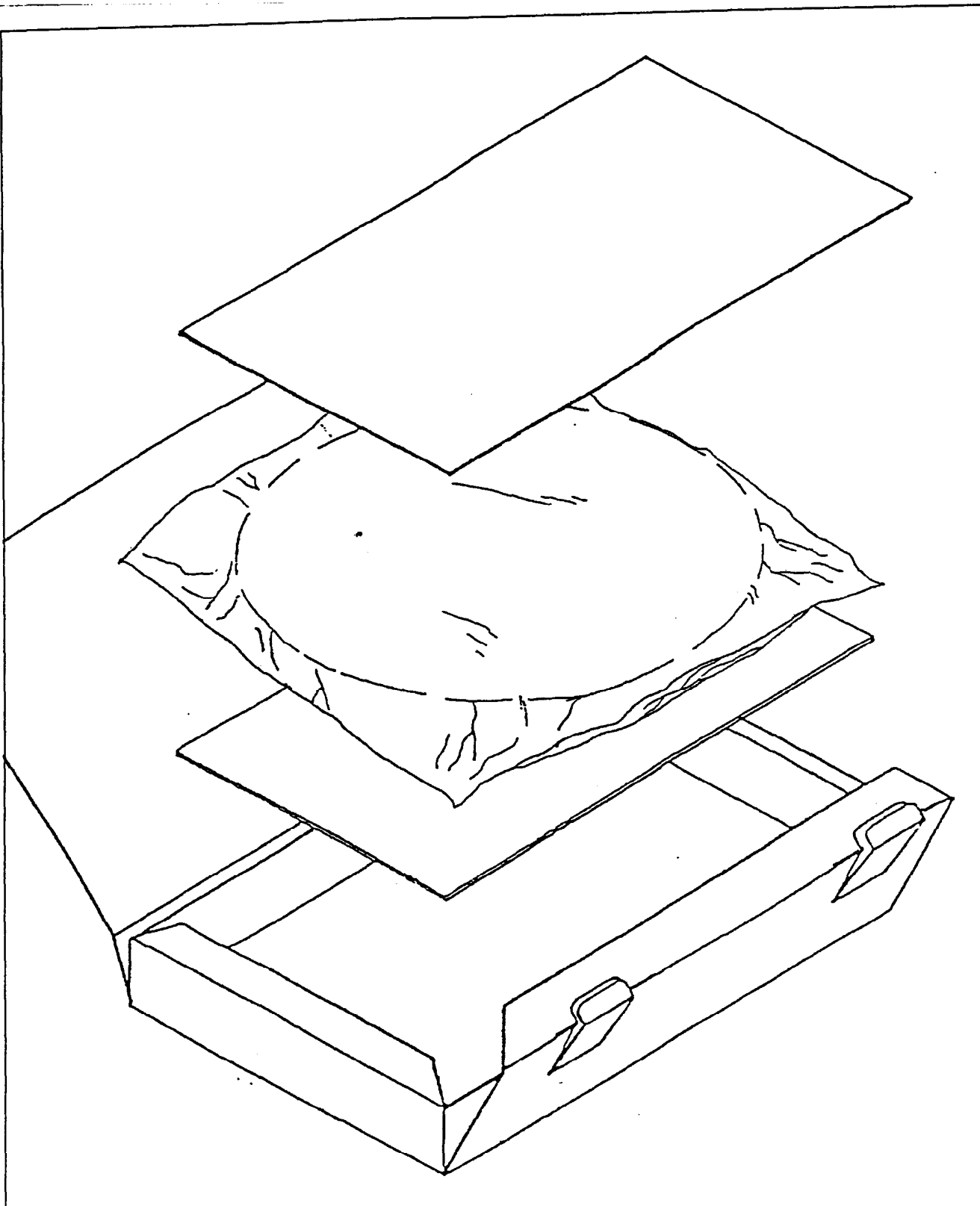


名称 NAME	EC28-0813TSPTS			備考 NOTE
DRAWING NO.	CV674	单位 UNIT	mm	



PKG	L (mm)
SOP44-P-600	φ 100
TSOP40-P-0813	φ 100

名称 NAME	REEL FOR EMBOSS CARRIER TAPING			備考 NOTE
DRAWING NO.	CV755	单位 UNIT	mm	



CASE SIZE : 345×345×55 (mm)

名称 NAME	EXTERNAL APPEARANCE OF PACKING CASE FOR EMBOSS CARRIER TAPING		備考 NOTE
DRAWING NO.	BJ279	単位 UNIT	mm