

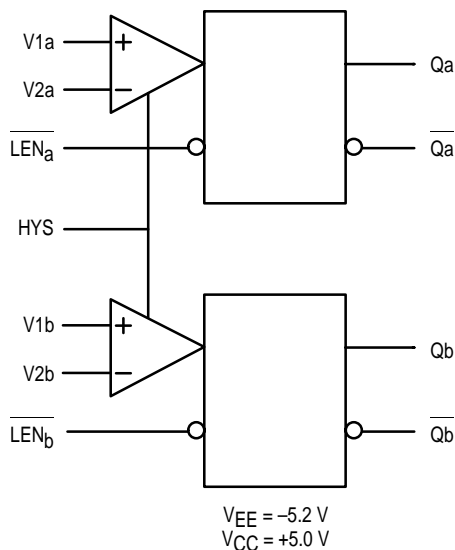
Dual ECL Output Comparator With Latch

The MC10E1652 is functionally and pin-for-pin compatible with the MC10E1651 and thus the MC1651 in the MECL III™ family, but is fabricated using Motorola's advanced MOSAIC III™ process and is output compatible with 10H logic devices. In addition, the device is available in both a 16-pin DIP and a 20-pin surface mount package. However, the MC10E1652 provides user programmable hysteresis.

The latch enable (\overline{LEN}_a and \overline{LEN}_b) input pins operate from standard ECL 10H™ logic levels. When the latch enable is at a logic high level the MC10E1652 acts as a comparator, hence Q will be at a logic high level if $V1 > V2$ ($V1$ is more positive than $V2$). Q is the complement of \overline{Q} . When the latch enable input goes to a low logic level, the outputs are latched in their present state, providing the latch enable setup and hold time constraints are met. The level of input hysteresis is controlled by applying a bias voltage to the HYS pin.

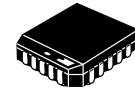
- Typical 3.0 dB Bandwidth > 1.0 GHz
- Typical V to Q Propagation Delay of 775 ps
- Typical Output Rise/Fall of 350 ps
- Common Mode Range -2.0 V to +3.0 V
- Individual Latch Enables
- Differential Outputs
- Programmable Input Hysteresis

LOGIC DIAGRAM

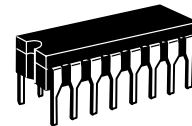


MC10E1652

**DUAL ECL OUTPUT
COMPARATOR
WITH LATCH**



FN SUFFIX
PLASTIC PACKAGE
CASE 775-02



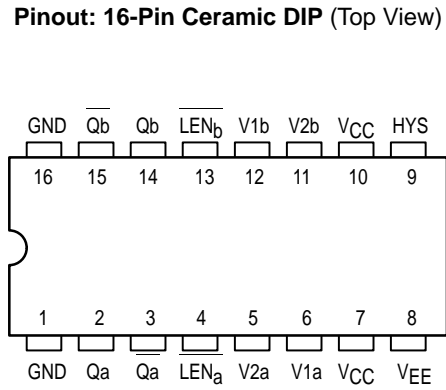
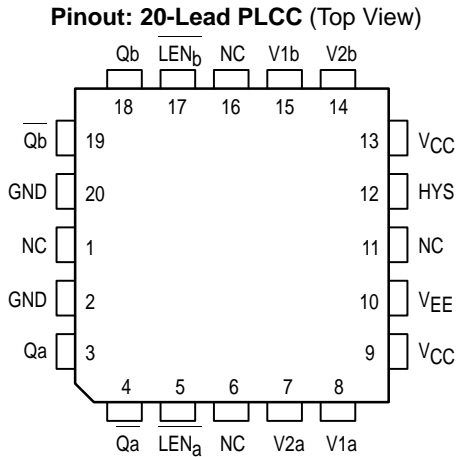
L SUFFIX
CERAMIC PACKAGE
CASE 620-10

FUNCTION TABLE

| \overline{LEN} | $V1, V2$ | Function |
|------------------|-----------|----------|
| H | $V1 > V2$ | H |
| H | $V1 < V2$ | L |
| L | X | Latched |



MC10E1652



ABSOLUTE MAXIMUM RATINGS (Beyond which device life may be impaired)

| Symbol | Characteristic | Min | Typ | Max | Unit |
|--------|---|-----|-----|------|------|
| VSUP | Total Supply Voltage $ V_{EE} + V_{CC} $ | | | 12.0 | V |
| VPP | Differential Input Voltage $ V1 - V2 $ | | | 3.7 | V |

DC CHARACTERISTICS ($V_{EE} = -5.2\text{ V} \pm 5\%$; $V_{CC} = +5.0\text{ V} \pm 5\%$)

| Symbol | Characteristic | 0°C | | | 25°C | | | 85°C | | | Unit | Condition |
|------------|----------------------------|-------|------|-------|-------|------|-------|-------|-----|-------|---------------|-----------|
| | | Min | Typ | Max | Min | Typ | Max | Min | Typ | Max | | |
| V_{OH} | Output HIGH Voltage | -1020 | | -840 | -980 | | -810 | -920 | | -735 | mV | |
| V_{OL} | Output Low Voltage | -1950 | | -1630 | -1950 | | -1630 | -1950 | | -1600 | mV | |
| I_I | Input Current ($V1, V2$) | | | 65 | | | 65 | | | 65 | μA | |
| I_{IH} | Input HIGH Current (LEN) | | | 150 | | | 150 | | | 150 | μA | |
| I_{CC} | Positive Supply Current | | | 50 | | | 50 | | | 50 | mA | |
| I_{EE} | Negative Supply Current | | | -55 | | | -55 | | | -55 | mA | |
| VCMR | Common Mode Range | -2.0 | | 3.0 | -2.0 | | 3.0 | -2.0 | | 3.0 | V | |
| Hys | Hysteresis | | 27 | | | 27 | | | 30 | | mV | 1 |
| V_{skew} | Hysteresis Skew | | -1.0 | | | -1.0 | | | 0 | | mV | 2 |
| C_{in} | Input Capacitance | | | | | | | | | | pF | |
| | DIP | | | 3 | | | 3 | | | 3 | | |
| | PLCC | | | 2 | | | 2 | | | 2 | | |

- The HYS pin programming characterization information is shown in Figure 2. The hysteresis values indicated in the data sheet are for the condition in which the voltage on the HYS pin is set to V_{EE} .
- Hysteresis skew (V_{skew}) is provided to indicate the offset of the hysteresis window. For example, at 25°C the nominal hysteresis value is 27 mV and the V_{skew} value indicates that the hysteresis was skewed from the reference level by 1 mV in the negative direction. Hence the hysteresis window ranged from 14 mV below the reference level to 13 mV above the reference level. All hysteresis measurements were determined using a reference voltage of 0 mV. The hysteresis skew values apply over the programming range shown in Figure 2.

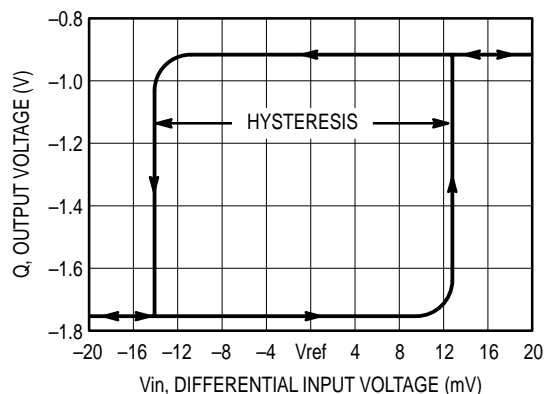


Figure 1. Typical Hysteresis Curve

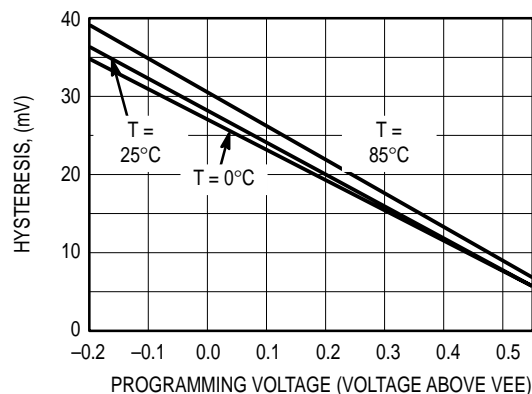


Figure 2. Hysteresis Programming Voltage

AC CHARACTERISTICS

(VEE = -5.2 V ±5%; VCC = +5.0 V ±5%)

| Symbol | Characteristic | 0°C | | | 25°C | | | 85°C | | | Unit | Condition |
|--------------------------------------|---|------------|------------|------------|------------|------------|------------|------------|------------|-------------|------|--------------|
| | | Min | Typ | Max | Min | Typ | Max | Min | Typ | Max | | |
| t _{PLH} t _{PHL} | Propagation Delay to Output V to Q LEN to Q | 600 400 | 750 575 | 900 750 | 625 400 | 775 575 | 925 750 | 700 500 | 850 650 | 1050 850 | ps | 1 |
| t _s | Setup Time V | 450 | 300 | | 450 | 300 | | 550 | 350 | | ps | |
| t _h | Enable Hold Time V | -50 | -250 | | -50 | -250 | | -100 | -250 | | ps | |
| t _{pw} | Minimum Pulse Width LEN | 400 | | | 400 | | | 400 | | | ps | |
| t _{skew} | Within Device Skew | | 15 | | | 15 | | | 15 | | ps | 2 |
| T _{DE} | Delay Dispersion (ECL Levels) | | | | | 100 60 | | | | | ps | 3, 4 3, 5 |
| T _{DL} | Delay Dispersion (TTL Levels) | | | | | 350 100 | | | | | ps | 6, 7 5, 6 |
| t _r t _f | Rise/Fall Times 20-80% | 225 | 325 | 475 | 225 | 325 | 475 | 250 | 375 | 500 | ps | |

1. The propagation delay is measured from the crosspoint of the input signal and the threshold value to the crosspoint of the Q and Q output signals. For propagation delay measurements the threshold level (V_{THR}) is centered about an 850 mV input logic swing with a slew rate of 0.75 V/NS. There is an insignificant change in the propagation delay over the input common mode range.
2. t_{skew} is the propagation delay skew between comparator A and comparator B for a particular part under identical input conditions.
3. Refer to Figure 4 and note that the input is at 850 mV ECL levels with the input threshold range between the 20% and 80% points. The delay is measured from the crosspoint of the input signal and the threshold value to the crosspoint of the Q and Q output signals.
4. The slew rate is 0.25 V/NS for input rising edges.
5. The slew rate is 0.75 V/NS for input rising edges.
6. Refer to Figure 5 and note that the input is at 2.5 V TTL levels with the input threshold range between the 20% and 80% points. The delay is measured from the crosspoint of the input signal and the threshold value to the crosspoint of the Q and Q output signals.
7. The slew rate is 0.3 V/NS for input rising edges.

APPLICATIONS INFORMATION

The timing diagram (Figure 3) is presented to illustrate the MC10E1652's compare and latch features. When the signal on the LEN pin is at a logic high level, the device is operating in the "compare mode," and the signal on the input arrives at the output after a nominal propagation delay (t_{PHL}, t_{PLH}). The input signal must be asserted for a time, t_s, prior to the

negative going transition on LEN and held for a time, t_h, after the LEN transition. After time t_h, the latch is operating in the "latch mode," thus transitions on the input do not appear at the output. The device continues to operate in the "latch mode" until the latch is asserted once again. Moreover, the LEN pulse must meet the minimum pulse width (t_{pw})

requirement to effect the correct input-output relationship. Note that the LEN waveform in Figure 3 shows the LEN signal swinging around a reference labeled $V_{BB_{INT}}$; this waveform emphasizes the requirement that LEN follow typical ECL 10KH logic levels because $V_{BB_{INT}}$ is the internally generated reference level, hence is nominally at the ECL V_{BB} level.

Finally, V_{OD} is the input voltage overdrive and represents the voltage level beyond the threshold level (V_{THR}) to which the input is driven. As an example, if the threshold level is set on one of the comparator inputs as 80 mV and the input

signal swing on the complementary input is from zero to 100 mV, the positive going overdrive would be 20 mV and the negative going overdrive would be 80 mV. The result of differing overdrive levels is that the devices have shorter propagation delays with greater overdrive because the threshold level is crossed sooner than the case of lower overdrive levels. Typically, semiconductor manufactures refer to the threshold voltage as the input offset voltage (V_{OS}) since the threshold voltage is the sum of the externally supplied reference voltage and inherent device offset voltage.

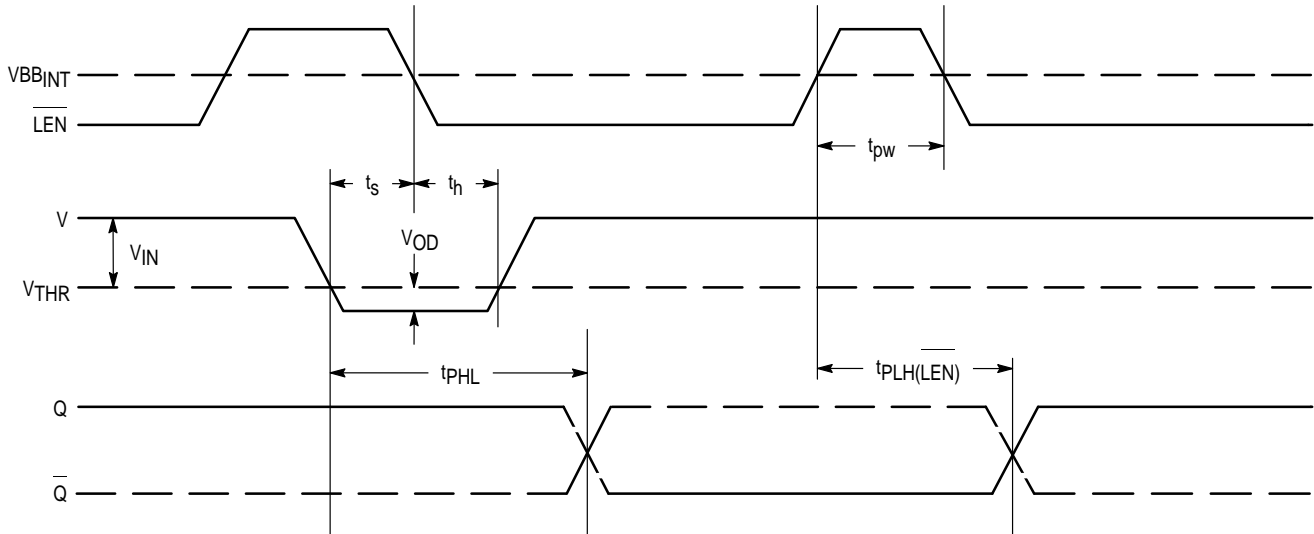


Figure 3. Input/Output Timing Diagram

DELAY DISPERSION

Under a constant set of input conditions comparators have a specified nominal propagation delay. However, since propagation delay is a function of input slew rate and input voltage overdrive the delay dispersion parameters, T_{DE} and T_{DT} , are provided to allow the user to adjust for these variables (where T_{DE} and T_{DT} apply to inputs with standard ECL and TTL levels, respectively).

Figure 4 and Figure 5 define a range of input conditions which incorporate varying input slew rates and input voltage overdrive. For input parameters that adhere to these constraints the propagation delay can be described as:

$$T_{NOM} \pm T_{DE} \text{ (or } T_{DT}\text{)}$$

where T_{NOM} is the nominal propagation delay. T_{NOM} accounts for nonuniformity introduced by temperature and voltage variability, whereas the delay dispersion parameter takes into consideration input slew rate and input voltage overdrive variability. Thus a modified propagation delay can be approximated to account for the effects of input conditions that differ from those under which the parts were tested. For example, an application may specify an ECL input with a slew rate of 0.25 V/NS, an overdrive of 17 mV and a temperature of 25°C, the delay dispersion parameter would be 100 ps. The modified propagation delay would be

$$775\text{ps} \pm 100\text{ps}$$

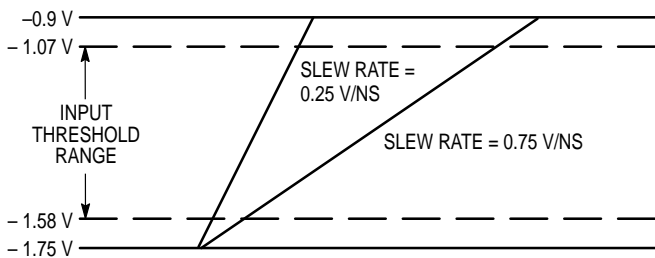


Figure 4. ECL Dispersion Test Input Conditions

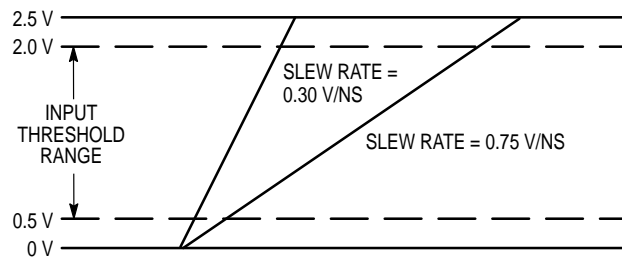
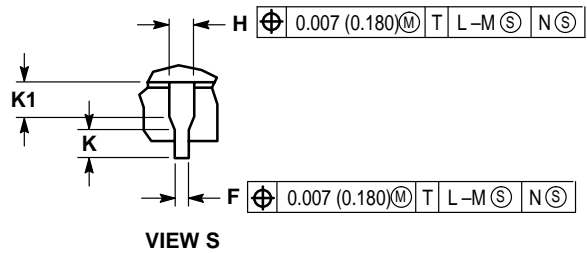
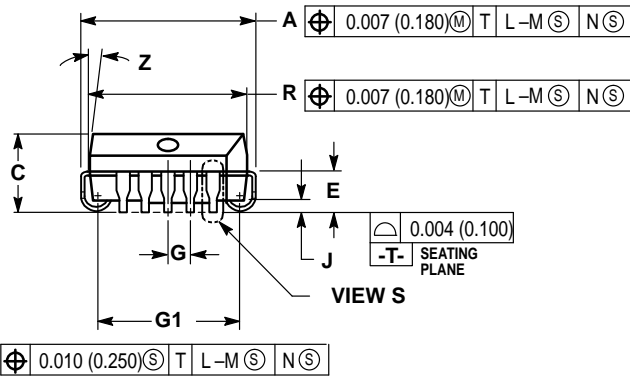
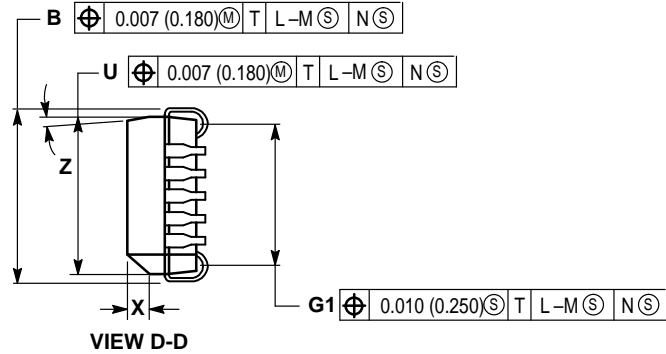
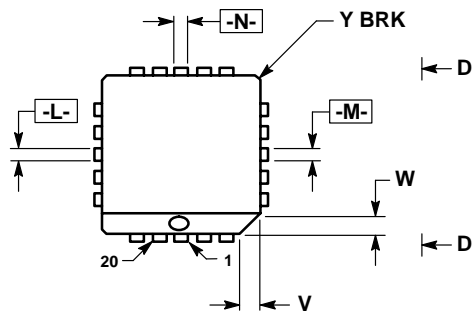


Figure 5. TTL Dispersion Test Input Conditions

OUTLINE DIMENSIONS

FN SUFFIX
 PLASTIC PLCC PACKAGE
 CASE 775-02
 ISSUE C



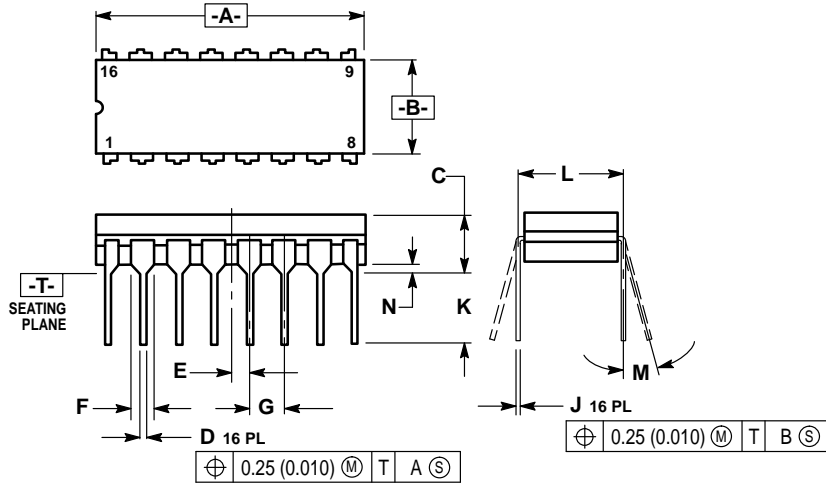
NOTES:

- DATUMS -L-, -M-, AND -N- DETERMINED WHERE TOP OF LEAD SHOULDER EXITS PLASTIC BODY AT MOLD PARTING LINE.
- DIM G1, TRUE POSITION TO BE MEASURED AT DATUM -T-, SEATING PLANE.
- DIM R AND U DO NOT INCLUDE MOLD FLASH. ALLOWABLE MOLD FLASH IS 0.010 (0.250) PER SIDE.
- DIMENSIONING AND TOLERANCING PER ANSI Y14.5M, 1982.
- CONTROLLING DIMENSION: INCH.
- THE PACKAGE TOP MAY BE SMALLER THAN THE PACKAGE BOTTOM BY UP TO 0.012 (0.300). DIMENSIONS R AND U ARE DETERMINED AT THE OUTERMOST EXTREMES OF THE PLASTIC BODY EXCLUSIVE OF MOLD FLASH, TIE BAR BURRS, GATE BURRS AND INTERLEAD FLASH, BUT INCLUDING ANY MISMATCH BETWEEN THE TOP AND BOTTOM OF THE PLASTIC BODY.
- DIMENSION H DOES NOT INCLUDE DAMBAR PROTRUSION OR INTRUSION. THE DAMBAR PROTRUSION(S) SHALL NOT CAUSE THE H DIMENSION TO BE GREATER THAN 0.037 (0.940). THE DAMBAR INTRUSION(S) SHALL NOT CAUSE THE H DIMENSION TO BE SMALLER THAN 0.025 (0.635).

| DIM | INCHES | | MILLIMETERS | |
|-----|-----------|-------|-------------|-------|
| | MIN | MAX | MIN | MAX |
| A | 0.385 | 0.395 | 9.78 | 10.03 |
| B | 0.385 | 0.395 | 9.78 | 10.03 |
| C | 0.165 | 0.180 | 4.20 | 4.57 |
| E | 0.090 | 0.110 | 2.29 | 2.79 |
| F | 0.013 | 0.019 | 0.33 | 0.48 |
| G | 0.050 BSC | | 1.27 BSC | |
| H | 0.026 | 0.032 | 0.66 | 0.81 |
| J | 0.020 | — | 0.51 | — |
| K | 0.025 | — | 0.64 | — |
| R | 0.350 | 0.356 | 8.89 | 9.04 |
| U | 0.350 | 0.356 | 8.89 | 9.04 |
| V | 0.042 | 0.048 | 1.07 | 1.21 |
| W | 0.042 | 0.048 | 1.07 | 1.21 |
| X | 0.042 | 0.056 | 1.07 | 1.42 |
| Y | — | 0.020 | — | 0.50 |
| Z | 2° | 10° | 2° | 10° |
| G1 | 0.310 | 0.330 | 7.88 | 8.38 |
| K1 | 0.040 | — | 1.02 | — |

OUTLINE DIMENSIONS


L SUFFIX
 CERAMIC DIP PACKAGE
 CASE 620-10
 ISSUE V



NOTES:

1. DIMENSIONING AND TOLERANCING PER ANSI Y14.5M, 1982.
2. CONTROLLING DIMENSION: INCH.
3. DIMENSION L TO CENTER OF LEAD WHEN FORMED PARALLEL.
4. DIMENSION F MAY NARROW TO 0.76 (0.030) WHERE THE LEAD ENTERS THE CERAMIC BODY.

| DIM | INCHES | | MILLIMETERS | |
|-----|-----------|-------|-------------|-------|
| | MIN | MAX | MIN | MAX |
| A | 0.750 | 0.785 | 19.05 | 19.93 |
| B | 0.240 | 0.295 | 6.10 | 7.49 |
| C | — | 0.200 | — | 5.08 |
| D | 0.015 | 0.020 | 0.39 | 0.50 |
| E | 0.050 BSC | | 1.27 BSC | |
| F | 0.055 | 0.065 | 1.40 | 1.65 |
| G | 0.100 BSC | | 2.54 BSC | |
| J | 0.008 | 0.015 | 0.21 | 0.38 |
| K | 0.125 | 0.170 | 3.18 | 4.31 |
| L | 0.300 BSC | | 7.62 BSC | |
| M | 0° 15° | | 0° 15° | |
| N | 0.020 | 0.040 | 0.51 | 1.01 |

Motorola reserves the right to make changes without further notice to any products herein. Motorola makes no warranty, representation or guarantee regarding the suitability of its products for any particular purpose, nor does Motorola assume any liability arising out of the application or use of any product or circuit, and specifically disclaims any and all liability, including without limitation consequential or incidental damages. "Typical" parameters which may be provided in Motorola data sheets and/or specifications can and do vary in different applications and actual performance may vary over time. All operating parameters, including "Typicals" must be validated for each customer application by customer's technical experts. Motorola does not convey any license under its patent rights nor the rights of others. Motorola products are not designed, intended, or authorized for use as components in systems intended for surgical implant into the body, or other applications intended to support or sustain life, or for any other application in which the failure of the Motorola product could create a situation where personal injury or death may occur. Should Buyer purchase or use Motorola products for any such unintended or unauthorized application, Buyer shall indemnify and hold Motorola and its officers, employees, subsidiaries, affiliates, and distributors harmless against all claims, costs, damages, and expenses, and reasonable attorney fees arising out of, directly or indirectly, any claim of personal injury or death associated with such unintended or unauthorized use, even if such claim alleges that Motorola was negligent regarding the design or manufacture of the part. Motorola and  are registered trademarks of Motorola, Inc. Motorola, Inc. is an Equal Opportunity/Affirmative Action Employer.

How to reach us:

USA/EUROPE/Locations Not Listed: Motorola Literature Distribution;
P.O. Box 20912; Phoenix, Arizona 85036. 1-800-441-2447 or 602-303-5454

MFAX: RMFAX0@email.sps.mot.com – TOUCHTONE 602-244-6609
INTERNET: <http://Design-NET.com>

JAPAN: Nippon Motorola Ltd.; Tatsumi-SPD-JLDC, 6F Seibu-Butsuryu-Center,
3-14-2 Tatsumi Koto-Ku, Tokyo 135, Japan. 03-81-3521-8315

ASIA/PACIFIC: Motorola Semiconductors H.K. Ltd.; 8B Tai Ping Industrial Park,
51 Ting Kok Road, Tai Po, N.T., Hong Kong. 852-26629298

