



ACS402-5SB4

ASD™

AC Switch Family

QUAD AC LINE SWITCH ARRAY

MAIN APPLICATIONS

- AC Line switch for appliance control systems
- Drive of low power high inductive or resistive loads like:
 - solenoid, relay, valve, dispenser
 - micro-motor
 - door lock
 - low power lamp bulb
 - pump
 - fan

FEATURES

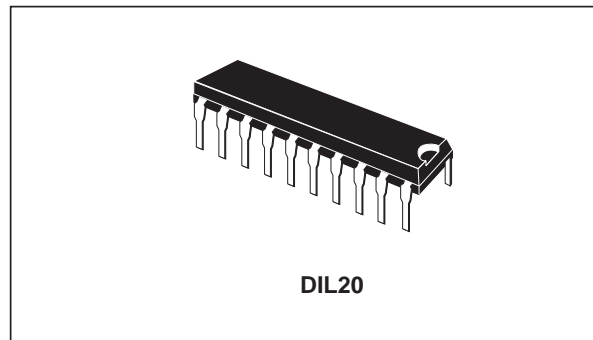
- 4 high voltage AC switch array
- $V_{DRM} / V_{RRM} = 500V$
- Avalanche controlled device
- $I_{T(RMS)} = 0.2 A$ per switch
- $I_{T(RMS)} = 0.4 A$ for the total array
- Gate triggering current : $I_{GT} < 10 mA$
- Switch integrated driver

BENEFITS

- Miniaturizes 4 switches in 1 package.
- Reduces the switch component count by up to 80%.
- Needs no more external protection snubber & varistor.
- Enables the equipment to meet IEC1000-4-5 standard.
- Interfaces directly with the microcontroller.
- Eliminates any stressing gate kick back on the microcontroller.

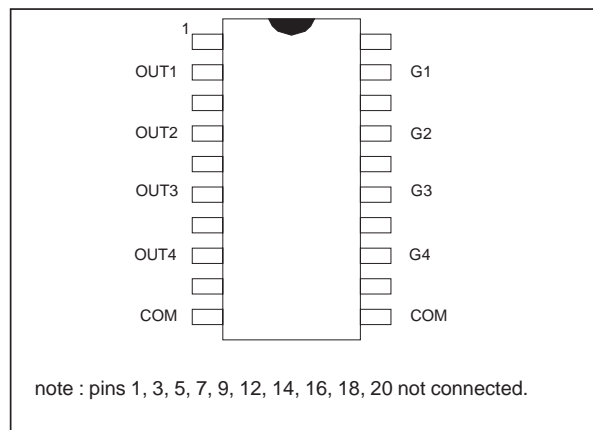
DESCRIPTION

The ACS402 belongs to the AC line switches array family built around the ASD™ concept. This high performance planar technology device includes 4 bi-directional a.c. switches able to control an 0.2 A resistive or inductive load.



DIL20

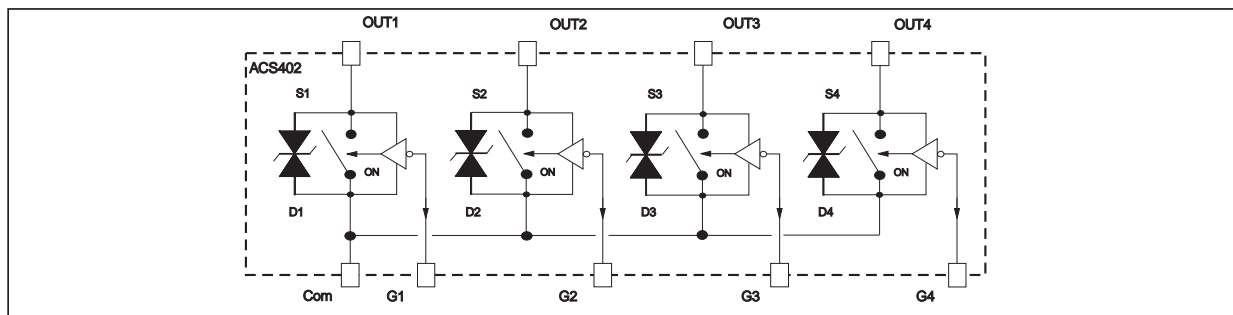
PIN OUT CONNECTION



Each ACS™ switch integrates a high voltage clamping structure to absorb the inductive turn off energy and a gate level shifter driver to separate the digital controller from each main switch. It is triggered with a negative gate current flowing out of the gate pin.

Note: For further technical information, please refer to the Application note AN1172

FUNCTIONAL DIAGRAM



ACS402-5SB4

ABSOLUTE RATINGS (limiting values)

Symbol	Parameter		Value	Unit
V_{DRM} V_{RRM}	Repetitive peak off-state voltage		$T_j = 25\text{ }^\circ\text{C}$ 500	V
$I_{T(RMS)}$	RMS on-state current full cycle sine wave 50 to 60 Hz	per switch	$T_{amb} = 90\text{ }^\circ\text{C}$ 0.2	A
		total array	$T_{amb} = 75\text{ }^\circ\text{C}$ 0.4	A
I_{TSM}	Non repetitive surge peak on-state current T_j initial = $25\text{ }^\circ\text{C}$, full cycle sine wave	F = 50 Hz	5	A
		F = 60 Hz	5.5	A
dI/dt	Critical rate of rise of on-state current $I_G = 20\text{mA}$ with $t_r = 100\text{ns}$	Repetitive F = 120 Hz	20	A/ μs
V_{PP}	Non repetitive line peak pulse voltage	note 1	2	kV
T_{stg}	Storage temperature range		- 40 to + 150	$^\circ\text{C}$
T_j	Operating junction temperature range		0 to + 110	$^\circ\text{C}$
TI	Maximum lead temperature for soldering during 10s		260	$^\circ\text{C}$

note 1 : according to test described by IEC 1000-4-5 standard & Figure 3.

SWITCH GATE CHARACTERISTICS (maximum values)

Symbol	Parameter	Value	Unit
$P_{G(AV)}$	Average gate power dissipation	0.1	W
I_{GM}	Peak gate current ($t_p = 20\mu\text{s}$)	1	A
V_{GM}	Peak positive gate voltage (respect to the pin COM)	5	V

THERMAL RESISTANCE

Symbol	Parameter	Value	Unit
$R_{th(j-a)}$	Junction to ambient	90	$^\circ\text{C/W}$

ELECTRICAL CHARACTERISTICS PER SWITCH

For either positive or negative polarity of pin OUT1, OUT2, OUT3, OUT4 voltage respect to pin COM voltage

Symbol	Test conditions			Values	Unit
I_{GT}	$V_D = 12\text{V}$ (DC) $R_L = 140\Omega$	$T_j = 25\text{ }^\circ\text{C}$	MAX	10	mA
V_{GT}	$V_D = 12\text{V}$ (DC) $R_L = 140\Omega$	$T_j = 25\text{ }^\circ\text{C}$	MAX	1	V
V_{GD}	$V_{OUT} = V_{DRM}$ $R_L = 3.3\text{k}\Omega$	$T_j = 110\text{ }^\circ\text{C}$	MIN	0.2	V
I_H	$I_{OUT} = 100\text{mA}$ gate open	$T_j = 25\text{ }^\circ\text{C}$	TYP	25	mA
			MAX	60	mA
I_L	$I_G = 20\text{mA}$	$T_j = 25\text{ }^\circ\text{C}$	TYP	30	mA
			MAX	65	mA
V_{TM}	$I_{OUT} = 0.3\text{A}$ $t_p = 380\mu\text{s}$	$T_j = 25\text{ }^\circ\text{C}$	MAX	1.1	V
I_{DRM} I_{RRM}	$V_{OUT} = V_{DRM}$ $V_{OUT} = V_{RRM}$	$T_j = 25\text{ }^\circ\text{C}$	MAX	2	μA
		$T_j = 110\text{ }^\circ\text{C}$	MAX	50	μA
dV/dt	$V_{OUT} = 400\text{V}$ gate open	$T_j = 110\text{ }^\circ\text{C}$	MIN	500	V/ μs
(dI/dt) _C	(dV _{OUT} /dt) _C = 10V/ μs	$T_j = 110\text{ }^\circ\text{C}$	MIN	0.1	A/ms
V_{CL}	$I_{CL} = 1\text{mA}$ $t_p = 1\text{ms}$	$T_j = 25\text{ }^\circ\text{C}$	TYP	600	V

AC LINE SWITCH BASIC APPLICATION

The ACS402 device is well adapted to washing machine, dishwasher, tumble drier, refrigerator, water heater and cookware. It has been designed especially to switch ON and OFF low power loads such as solenoid, valve, relay, micro-motor, pump, fan, door lock and low wattage lamp bulb.

Pin COM: Common drive reference to connect to the power line neutral

Pin G: Switch Gate input to connect to the digital controller

Pin OUT: Switch Output to connect to the load

Each ACS™ switch is triggered with a negative gate current flowing out of the gate pin G. It can be driven directly by the digital controller through a resistor as shown on the typical application diagram. Note that no protection device (zener or capacitors) should be added between gates and common terminals.

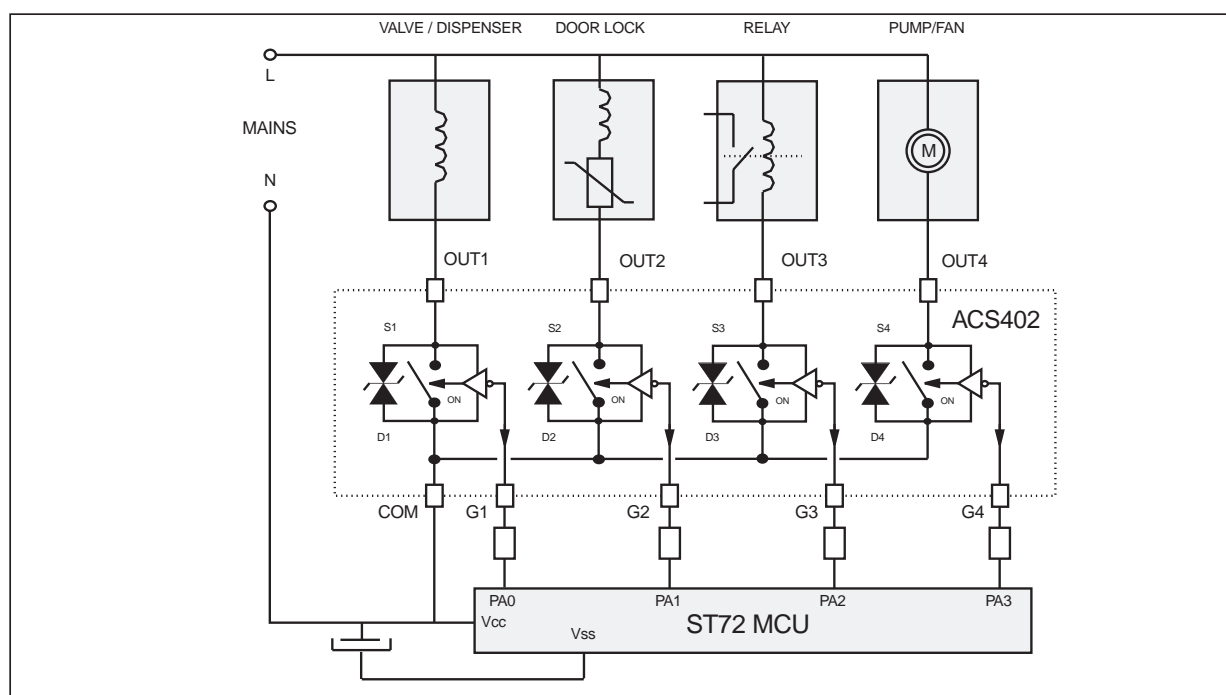
In appliances systems, this ACS™ switch intends to drive low power load in full cycle ON / OFF mode. The turn off commutation characteristics of these loads can be classified in 3 groups as shown in table 1.

Thanks to its thermal and turn off commutation performances, each switch of the ACS402 is able to drive an inductive or resistive load up to 0.2 A with no additional turn off snubber.

Table 1: Load grouping versus their turn off commutation requirement (230V AC applications).

LOAD	IRMS (A)	POWER FACTOR	(di/dt)c (A/ms)	(dV/dt)c (V/μs)	TURN-OFF DELAY (ms)
Door lock Lamp	< 0.3	1	0.15	0.15	< 10
	< 0.6	1	0.4	0.15	< 20
Relay Valve Dispenser Micro-motor	< 0.1	> 0.7	< 0.05	< 5	< 10
Pump Fan	< 0.2	> 0.2	< 0.1	< 10	< 10
	< 0.6	> 0.2	< 0.3	< 10	< 20

TYPICAL APPLICATION DIAGRAM



ACS402-5SB4

SWITCH-OFF OPERATION

At the end of the last conduction half-cycle, the load current reaches the holding current level I_H , and the ACS™ switch turns off. Because of the inductance L of the load, the current flows through the avalanche diode D and decreases linearly to zero. During this time, the voltage across the switch is limited to the clamping voltage V_{CL} .

The energy stored in the inductance of the load depends on the holding current I_H and the inductance (up to 10 H); it can reach about 20 mJ and is dissipated in the clamping section that is especially designed for that purpose.

Fig 1: Turn-off operation of the ACS402 switch with an electro valve: waveform of the gate current I_G , pin OUT current I_{OUT} & voltage V_{OUT} .

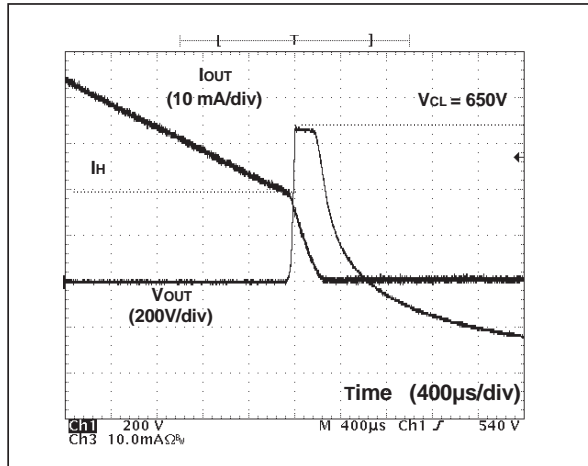
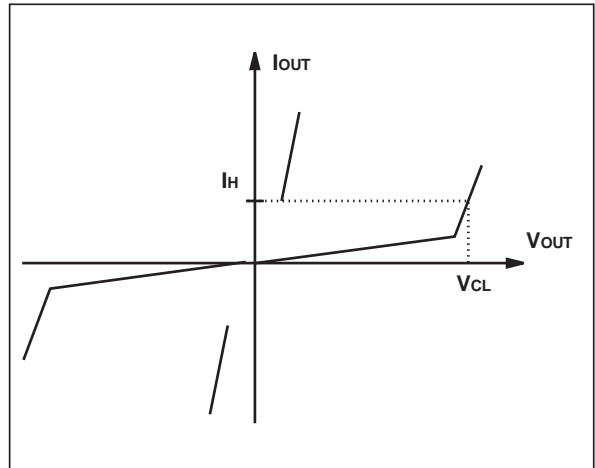


Fig 2: ACS402 switch static characteristic.



AC LINE TRANSIENT VOLTAGE RUGGEDNESS

Each ACS402 switch is able to sustain safely the AC line transient voltages either by clamping the low energy spikes or by breaking over under high energy shocks, even with high turn-on current rises.

The test circuit of the figure 3 is representative of the final ACS™ application and is also used to stress the ACS™ switch according to the IEC1000-4-5 standard conditions. Thanks to the load, the ACS™ switch sustains the voltage spikes up to 2 kV above the peak line voltage. It will break over safely even on resistive load where the turn on current rise is high as shown on figure 4. Such non repetitive test can be done 10 times on each AC line voltage polarity.

Fig 3: Overvoltage ruggedness test circuit for resistive and inductive loads according to IEC 1000-4-5 standard.

$R = 150\Omega$, $L = 5\mu H$, $V_{PP} = 2kV$.

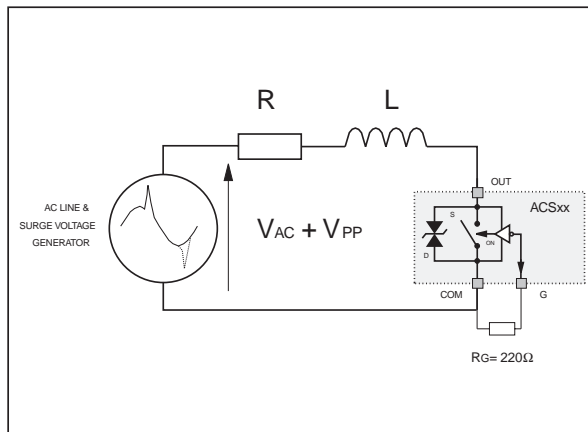


Fig 4: Current and voltage of the ACS™ during IEC 1000-4-5 standard test with a 220Ω - 10µH load & $V_{PP} = 2kV$.

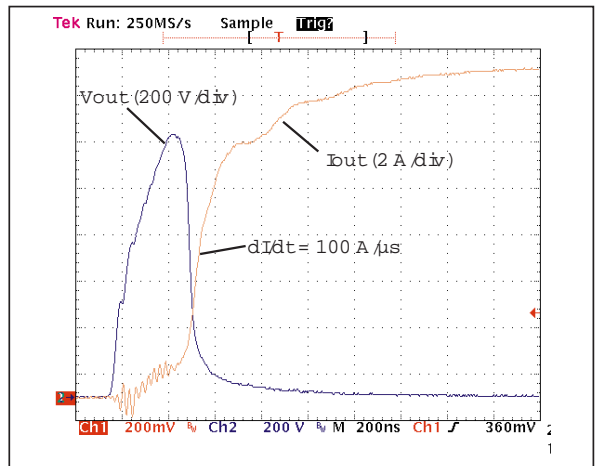


Fig 5: Relative variation of gate trigger current versus junction temperature

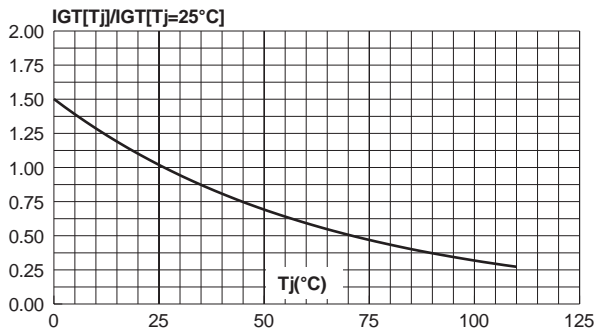


Fig 6: Relative variation of holding & latching currents versus junction temperature

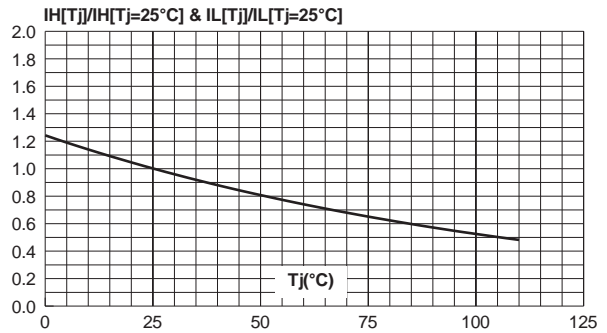


Fig 7: On state characteristics @Tj max
 $V_{TO} = 0.90\text{ V}$ & $R_T = 0.3\ \Omega$ (maximum values)
 $P_{on} = V_{TO} \cdot 2 \cdot \sqrt{2} \cdot I_{T(RMS)} / \Pi + R_T \times I_{T(RMS)}^2$

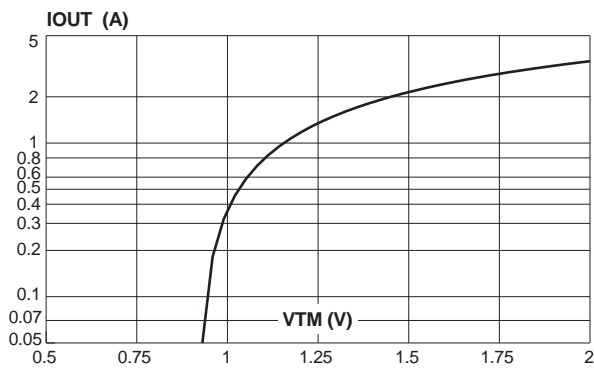


Fig 8: Maximum total RMS current versus ambient temperature on an inductive load (PF>0.1) and a low repetitive rate (F<1Hz)

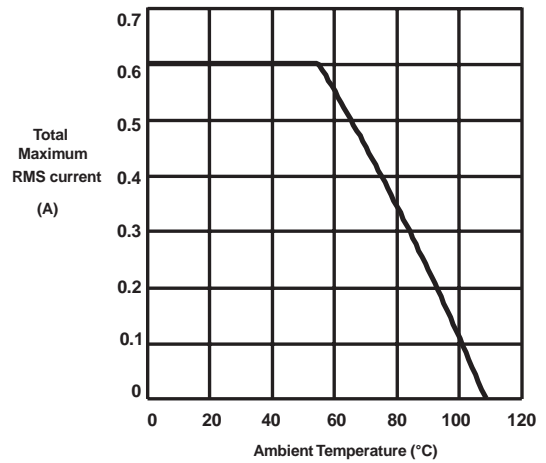
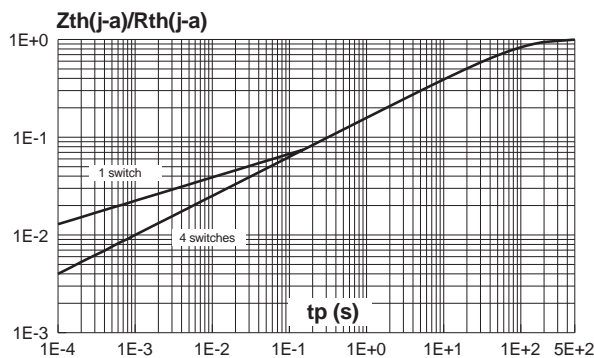
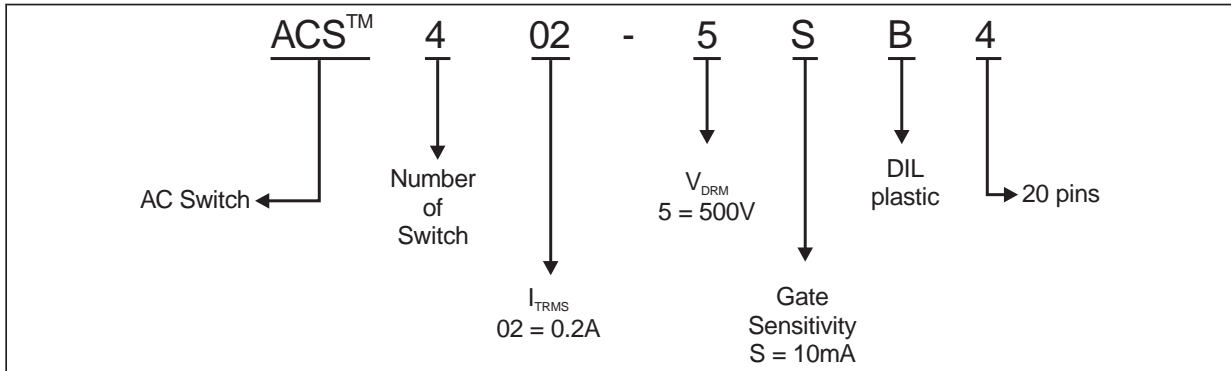


Fig 9: Relative variation of thermal impedance junction to ambient versus pulse duration (epoxy printed circuit board FR4, 35µm copper layout thickness).



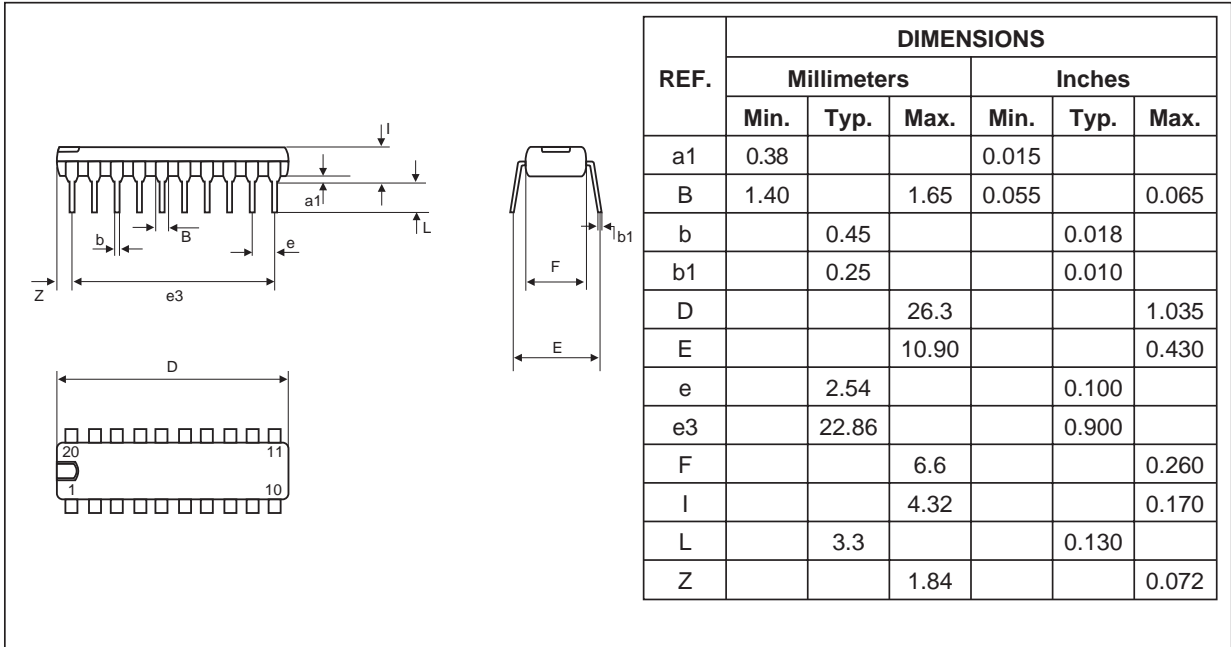
ACS402-5SB4

ORDERING INFORMATION



PACKAGE MECHANICAL DATA

DIL20 Plastic



Ordering type	Marking	Package	Weight	Base qty	Delivery mode
ACS402-5SB4	ACS402 5	DIL20	1.4g.	19	Tube

- Epoxy meets UL94,V0

TM: ASD and ACS are trademarks of STMicroelectronics .

Information furnished is believed to be accurate and reliable. However, STMicroelectronics assumes no responsibility for the consequences of use of such information nor for any infringement of patents or other rights of third parties which may result from its use. No license is granted by implication or otherwise under any patent or patent rights of STMicroelectronics. Specifications mentioned in this publication are subject to change without notice. This publication supersedes and replaces all information previously supplied. STMicroelectronics products are not authorized for use as critical components in life support devices or systems without express written approval of STMicroelectronics.

The ST logo is a registered trademark of STMicroelectronics

© 1999 STMicroelectronics - Printed in Italy - All rights reserved.

STMicroelectronics GROUP OF COMPANIES

Australia - Brazil - China - Finland - France - Germany - Hong Kong - India - Italy - Japan - Malaysia
Malta - Morocco - Singapore - Spain - Sweden - Switzerland - United Kingdom - U.S.A.

<http://www.st.com>