



Integrated Device Technology, Inc.

# CMOS STATIC RAM 64K (8K x 8-BIT)

IDT7164S  
IDT7164L

## FEATURES:

- High-speed address/chip select access time
  - Military: 20/25/30/35/45/55/70/85ns (max.)
  - Commercial: 15/20/25/35/70ns (max.)
- Low power consumption
- Battery backup operation — 2V data retention voltage (L Version only)
- Produced with advanced CMOS high-performance technology
- Inputs and outputs directly TTL-compatible
- Three-state outputs
- Available in:
  - 28-pin DIP and SOJ
- Military product compliant to MIL-STD-883, Class B

## DESCRIPTION:

The IDT7164 is a 65,536 bit high-speed static RAM organized as 8K x 8. It is fabricated using IDT's high-performance, high-reliability CMOS technology.

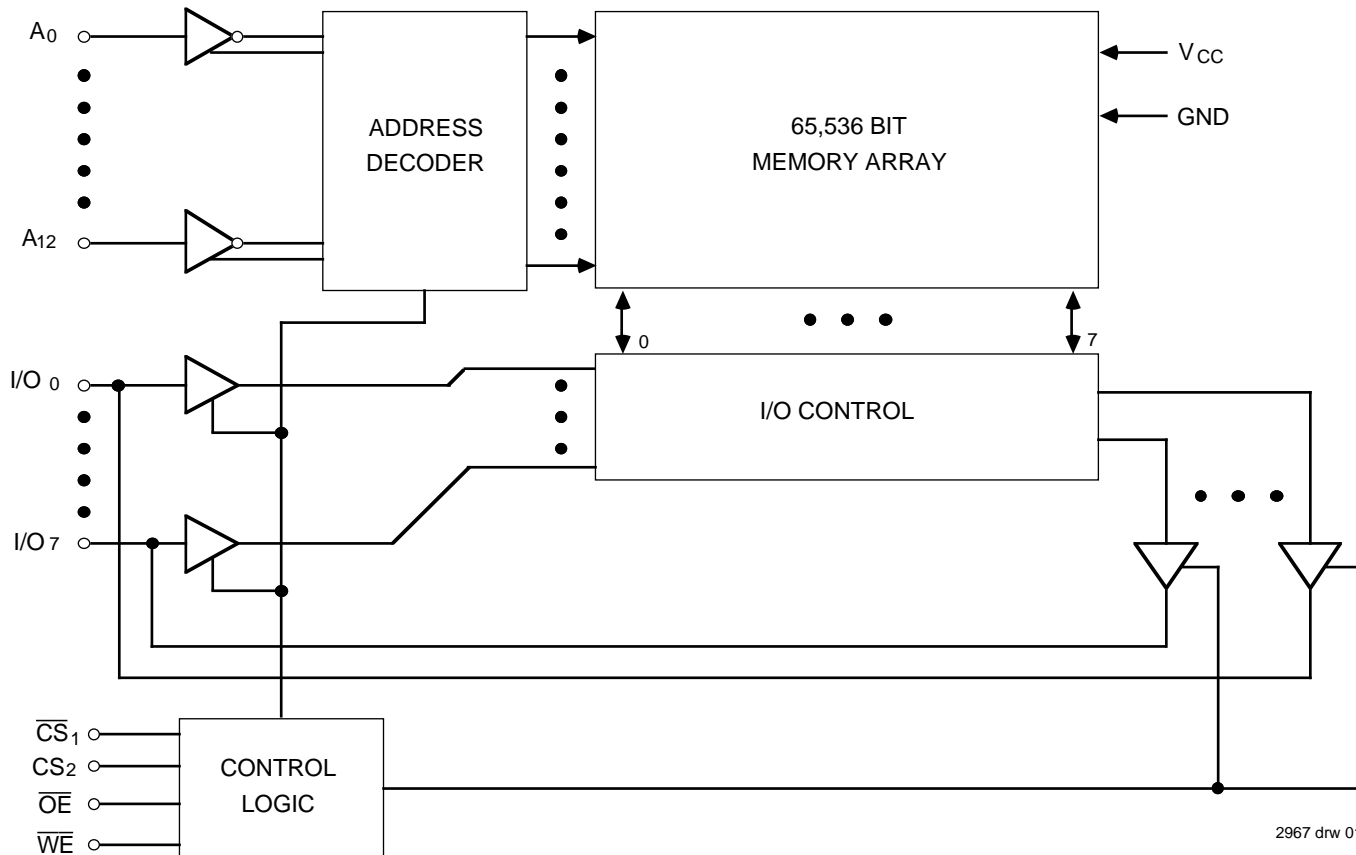
Address access times as fast as 15ns are available and the circuit offers a reduced power standby mode. When  $\overline{CS}_1$  goes HIGH or  $\overline{CS}_2$  goes LOW, the circuit will automatically go to, and remain in, a low-power standby mode. The low-power (L) version also offers a battery backup data retention capability at power supply levels as low as 2V.

All inputs and outputs of the IDT7164 are TTL-compatible and operation is from a single 5V supply, simplifying system designs. Fully static asynchronous circuitry is used, requiring no clocks or refreshing for operation.

The IDT7164 is packaged in a 28-pin 300 mil DIP and SOJ; and 28-pin 600 mil DIP.

Military grade product is manufactured in compliance with the latest revision of MIL-STD-883, Class B, making it ideally suited to military temperature applications demanding the highest level of performance and reliability.

## FUNCTIONAL BLOCK DIAGRAM



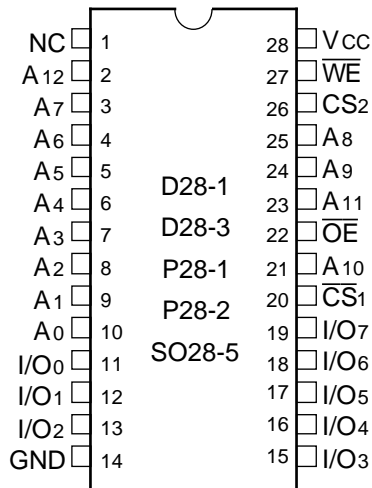
2967 drw 01

The IDT logo is a registered trademark of Integrated Device Technology, Inc.

## MILITARY AND COMMERCIAL TEMPERATURE RANGES

MAY 1996

## PIN CONFIGURATIONS



DIP/SOJ  
TOP VIEW

2967 drw 02

## PIN DESCRIPTIONS

Name	Description
A0–A12	Address
I/O0–I/O7	Data Input/Output
$\overline{CS1}$	Chip Select
CS2	Chip Select
$\overline{WE}$	Write Enable
$\overline{OE}$	Output Enable
GND	Ground
VCC	Power

2967 tbl 01

## ABSOLUTE MAXIMUM RATINGS<sup>(1)</sup>

Symbol	Rating	Com'l.	Mil.	Unit
VTERM <sup>(2)</sup>	Terminal Voltage with Respect to GND	–0.5 to +7.0	–0.5 to +7.0	V
TA	Operating Temperature	0 to +70	–55 to +125	°C
TBIAS	Temperature Under Bias	–55 to +125	–65 to +135	°C
TSTG	Storage Temperature	–55 to +125	–65 to +150	°C
PT	Power Dissipation	1.0	1.0	W
IOUT	DC Output Current	50	50	mA

### NOTES:

2967 tbl 03

- Stresses greater than those listed under ABSOLUTE MAXIMUM RATINGS may cause permanent damage to the device. This is a stress rating only and functional operation of the device at these or any other conditions above those indicated in the operational sections of this specification is not implied. Exposure to absolute maximum rating conditions for extended periods may affect reliability.
- VTERM must not exceed VCC + 0.5V.

## TRUTH TABLE<sup>(1,2,3)</sup>

$\overline{WE}$	$\overline{CS1}$	CS2	$\overline{OE}$	I/O	Function
X	H	X	X	High-Z	Deselected – Standby (ISB)
X	X	L	X	High-Z	Deselected – Standby (ISB)
X	VHC	VHC or VLC	X	High-Z	Deselected – Standby (ISB1)
X	X	VLC	X	High-Z	Deselected – Standby (ISB1)
H	L	H	H	High-Z	Output Disabled
H	L	H	L	DataOUT	Read Data
L	L	H	X	DataIN	Write Data

### NOTES:

2967 tbl 02

- CS2 will power-down  $\overline{CS1}$ , but  $\overline{CS1}$  will not power-down CS2.
- H = V<sub>IH</sub>, L = V<sub>IL</sub>, X = don't care.
- V<sub>LC</sub> = 0.2V, V<sub>HC</sub> = V<sub>CC</sub> - 0.2V

## RECOMMENDED OPERATING TEMPERATURE AND SUPPLY VOLTAGE

Grade	Temperature	GND	VCC
Military	–55°C to +125°C	0V	5V ± 10%
Commercial	0°C to +70°C	0V	5V ± 10%

2967 tbl 04

## RECOMMENDED DC OPERATING CONDITIONS

Symbol	Parameter	Min.	Typ.	Max.	Unit
VCC	Supply Voltage	4.5	5.0	5.5	V
GND	Supply Voltage	0	0	0	V
V <sub>IH</sub>	Input HIGH Voltage	2.2	—	V <sub>CC</sub> + 0.5	V
V <sub>IL</sub>	Input LOW Voltage	–0.5 <sup>(1)</sup>	—	0.8	V

### NOTE:

2967 tbl 05

- V<sub>IL</sub> (min.) = –1.5V for pulse width less than 10ns, once per cycle.

**CAPACITANCE** ( $T_A = +25^\circ\text{C}$ ,  $f = 1.0\text{MHz}$ )

Symbol	Parameter <sup>(1)</sup>	Conditions	Max.	Unit
C <sub>IN</sub>	Input Capacitance	V <sub>IN</sub> = 0V	8	pF
C <sub>I/O</sub>	I/O Capacitance	V <sub>OUT</sub> = 0V	8	pF

**NOTE:** 2967 tbl 06  
1. This parameter is determined by device characterization, but is not production tested.

**DC ELECTRICAL CHARACTERISTICS<sup>(1)</sup>**

(V<sub>CC</sub> = 5.0V ± 10%, V<sub>LC</sub> = 0.2V, V<sub>HC</sub> = V<sub>CC</sub> - 0.2V)

Symbol	Parameter	Power	7164S15 7164L15		7164S20 7164L20		7164S25 7164L25		7164S30 7164L30		Unit
			Com'l.	Mil.	Com'l.	Mil.	Com'l.	Mil.	Com'l.	Mil.	
ICC1	Operating Power Supply Current, $\overline{CS}_1 = V_{IL}$ , $CS_2 = V_{IH}$ , Outputs Open, V <sub>CC</sub> = Max., f = 0 <sup>(3)</sup>	S	110	—	100	110	90	110	—	100	mA
		L	100	—	90	100	80	100	—	90	
ICC2	Dynamic Operating Current $\overline{CS}_1 = V_{IL}$ , $CS_2 = V_{IH}$ , Outputs Open, V <sub>CC</sub> = Max., f = f <sub>MAX</sub> <sup>(3)</sup>	S	180	—	170	180	170	180	—	170	mA
		L	150	—	150	160	150	160	—	150	
ISB	Standby Power Supply Current (TTL Level), $\overline{CS}_1 \geq V_{IH}$ or $CS_2 \leq V_{IL}$ , V <sub>CC</sub> = Max., Outputs Open, f = f <sub>MAX</sub> <sup>(3)</sup>	S	20	—	20	20	20	20	—	20	mA
		L	3	—	3	5	3	5	—	5	
ISB1	Full Standby Power Supply Current (CMOS Level), f = 0 <sup>(3)</sup> , V <sub>CC</sub> = Max. 1. $\overline{CS}_1 \geq V_{HC}$ and $CS_2 \geq V_{HC}$ , or 2. $CS_2 \leq V_{LC}$	S	15	—	15	20	15	20	—	20	mA
		L	0.2	—	0.2	1	0.2	1	—	1	

**DC ELECTRICAL CHARACTERISTICS<sup>(1)</sup> (Continued)**

(V<sub>CC</sub> = 5.0V ± 10%, V<sub>LC</sub> = 0.2V, V<sub>HC</sub> = V<sub>CC</sub> - 0.2V)

Symbol	Parameter	Power	7164S35 7164L35		7164S45 7164L45		7164S55 7164L55		7164S70 <sup>(2)/85<sup>(4)</sup></sup> 7164L70 <sup>(2)/85<sup>(4)</sup></sup>		Unit
			Com'l.	Mil.	Com'l.	Mil.	Com'l.	Mil.	Com'l.	Mil.	
ICC1	Operating Power Supply Current, $\overline{CS}_1 = V_{IL}$ , $CS_2 = V_{IH}$ , Outputs Open, V <sub>CC</sub> = Max., f = 0 <sup>(3)</sup>	S	90	100	—	100	—	100	90	100	mA
		L	80	90	—	90	—	90	80	90	
ICC2	Dynamic Operating Current $\overline{CS}_1 = V_{IL}$ , $CS_2 = V_{IH}$ , Outputs Open, V <sub>CC</sub> = Max., f = f <sub>MAX</sub> <sup>(3)</sup>	S	150	160	—	160	—	160	150	160	mA
		L	130	140	—	130	—	125	130	120	
ISB	Standby Power Supply Current (TTL Level), $\overline{CS}_1 \geq V_{IH}$ , or $CS_2 \leq V_{IL}$ , V <sub>CC</sub> = Max., Outputs Open, f = f <sub>MAX</sub> <sup>(3)</sup>	S	20	20	—	20	—	20	20	20	mA
		L	3	5	—	5	—	5	3	5	
ISB1	Full Standby Power Supply Current (CMOS Level), f = 0 <sup>(3)</sup> , V <sub>CC</sub> = Max. 1. $\overline{CS}_1 \geq V_{HC}$ and $CS_2 \geq V_{HC}$ , or 2. $CS_2 \leq V_{LC}$	S	15	20	—	20	—	20	15	20	mA
		L	0.2	1	—	1	—	1	0.2	1	

**NOTES:**  
1. All values are maximum guaranteed values.  
2. 70 ns available in both military and commercial devices.  
3. f<sub>MAX</sub> = 1/trc (all address inputs are cycling at f<sub>MAX</sub>); f = 0 means no address input lines are changing.  
4. Also available: 100ns military devices.

2967 tbl 07

### DC ELECTRICAL CHARACTERISTICS

(VCC = 5.0V ± 10%)

Symbol	Parameter	Test Condition	IDT7164S		IDT7164L		Unit	
			Min.	Max.	Min.	Max.		
ILI	Input Leakage Current	VCC = Max., VIN = GND to VCC	MIL. COM'L.	— 10 5	— 5 2	— 5 2	μA	
ILO	Output Leakage Current	VCC = Max., $\overline{CS}_1 = V_{IH}$ , VOUT = GND to VCC	MIL. COM'L.	— 10 5	— 5 2	— 5 2	μA	
VOL	Output Low Voltage	IO <sub>L</sub> = 8mA, VCC = Min.		—	0.4	—	0.4	V
		IO <sub>L</sub> = 10mA, VCC = Min.		—	0.5	—	0.5	
VOH	Output High Voltage	IO <sub>H</sub> = -4mA, VCC = Min.		2.4	—	2.4	—	V

2967 tbl 08

### DATA RETENTION CHARACTERISTICS OVER ALL TEMPERATURE RANGES

(L Version Only) (VLC = 0.2V, VHC = VCC - 0.2V)

Symbol	Parameter	Test Condition	Min.	Typ. <sup>(1)</sup> Vcc @		Max. Vcc @		Unit
				2.0v	3.0V	2.0V	3.0V	
VDR	VCC for Data Retention	—	2.0	—	—	—	—	V
ICCDR	Data Retention Current	MIL. COM'L.	— —	10 10	15 15	200 60	300 90	μA
tCDR <sup>(3)</sup>	Chip Deselect to Data Retention Time	1. $\overline{CS}_1 \geq V_{HC}$ CS <sub>2</sub> ≥ VHC, or	0	—	—	—	—	ns
tR <sup>(3)</sup>	Operation Recovery Time	2. CS <sub>2</sub> ≤ VLC	tRC <sup>(2)</sup>	—	—	—	—	ns
ILI  <sup>(3)</sup>	Input Leakage Current		—	—	—	2	2	μA

**NOTES:**

- TA = +25°C.
- tRC = Read Cycle Time.
- This parameter is guaranteed by device characterization, but is not production tested.

2967 tbl 09

### AC TEST CONDITIONS

Input Pulse Levels	GND to 3.0V
Input Rise/Fall Times	5ns
Input Timing Reference Levels	1.5V
Output Reference Levels	1.5V
AC Test Load	See Figures 1 and 2

2967 tbl 10

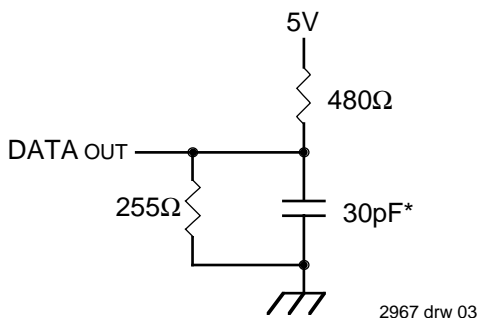


Figure 1. AC Test Load

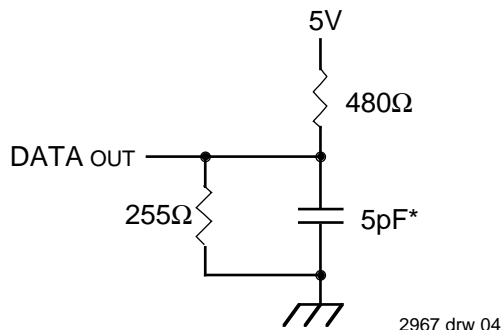


Figure 2. AC Test Load  
(for tCLZ1, tCLZ2, tOLZ, tCHZ1, tCHZ2, tOHZ, tOW, and tWHZ)

\*Includes scope and jig capacitances

**AC ELECTRICAL CHARACTERISTICS** ( $V_{CC} = 5.0V \pm 10\%$ , All Temperature Ranges)

Symbol	Parameter	7164S15 <sup>(1)</sup> 7164L15 <sup>(1)</sup>		7164S20 7164L20		7164S25 7164L25		7164S30 <sup>(2)</sup> 7164L30		Unit
		Min.	Max.	Min.	Max.	Min.	Max.	Min.	Max.	
<b>Read Cycle</b>										
t <sub>RC</sub>	Read Cycle Time	15	—	20	—	25	—	30	—	ns
t <sub>AA</sub>	Address Access Time	—	15	—	19	—	25	—	29	ns
t <sub>ACS1</sub> <sup>(3)</sup>	Chip Select-1 Access Tim	—	15	—	20	—	25	—	30	ns
t <sub>ACS2</sub> <sup>(3)</sup>	Chip Select-2 Access Time	—	20	—	25	—	30	—	35	ns
t <sub>CLZ1,2</sub> <sup>(4)</sup>	Chip Select-1, 2 to Output in Low-Z	5	—	5	—	5	—	5	—	ns
t <sub>OE</sub>	Output Enable to Output Valid	—	7	—	8	—	12	—	15	ns
t <sub>OLZ</sub> <sup>(4)</sup>	Output Enable to Output in Low-Z	0	—	0	—	0	—	0	—	ns
t <sub>CHZ1,2</sub> <sup>(4)</sup>	Chip Select-1, 2 to Output in High-Z	—	8	—	9	—	13	—	13	ns
t <sub>OHZ</sub> <sup>(4)</sup>	Output Disable to Output in High-Z	—	7	—	8	—	10	—	12	ns
t <sub>OH</sub>	Output Hold from Address Change	5	—	5	—	5	—	5	—	ns
t <sub>PU</sub> <sup>(4)</sup>	Chip Select to Power Up Time	0	—	0	—	0	—	0	—	ns
t <sub>PD</sub> <sup>(4)</sup>	Chip Deselect to Power Down Time	—	15	—	20	—	25	—	30	ns
<b>Write Cycle</b>										
t <sub>WC</sub>	Write Cycle Time	15	—	20	—	25	—	30	—	ns
t <sub>CW1,2</sub>	Chip Select to End-of-Write	14	—	15	—	18	—	22	—	ns
t <sub>AW</sub>	Address Valid to End-of-Write	14	—	15	—	18	—	22	—	ns
t <sub>AS</sub>	Address Set-up Time	0	—	0	—	0	—	0	—	ns
t <sub>WP</sub>	Write Pulse Width	14	—	15	—	21	—	23	—	ns
t <sub>WR1</sub>	Write Recovery Time ( $\overline{CS}_1, \overline{WE}$ )	0	—	0	—	0	—	0	—	ns
t <sub>WR2</sub>	Write Recovery Time (CS <sub>2</sub> )	5	—	5	—	5	—	5	—	ns
t <sub>WHZ</sub> <sup>(4)</sup>	Write Enable to Output in High-Z	—	6	—	8	—	10	—	12	ns
t <sub>DW</sub>	Data to Write Time Overlap	8	—	10	—	13	—	13	—	ns
t <sub>DH1</sub>	Data Hold from Write Time ( $\overline{CS}_1, \overline{WE}$ )	0	—	0	—	0	—	0	—	ns
t <sub>DH2</sub>	Data Hold from Write Time (CS <sub>2</sub> )	5	—	5	—	5	—	5	—	ns
t <sub>OW</sub> <sup>(4)</sup>	Output Active from End-of-Write	4	—	4	—	4	—	4	—	ns

**NOTES:**

- 0° to +70°C temperature range only.
- 55°C to +125°C temperature range only. Also available: 100ns military devices.
- Both chip selects must be active for the device to be selected.
- This parameter is guaranteed by device characterization, but is not production tested.

2967 tbl 11

**AC ELECTRICAL CHARACTERISTICS (Continued)** ( $V_{CC} = 5.0V \pm 10\%$ , All Temperature Ranges)

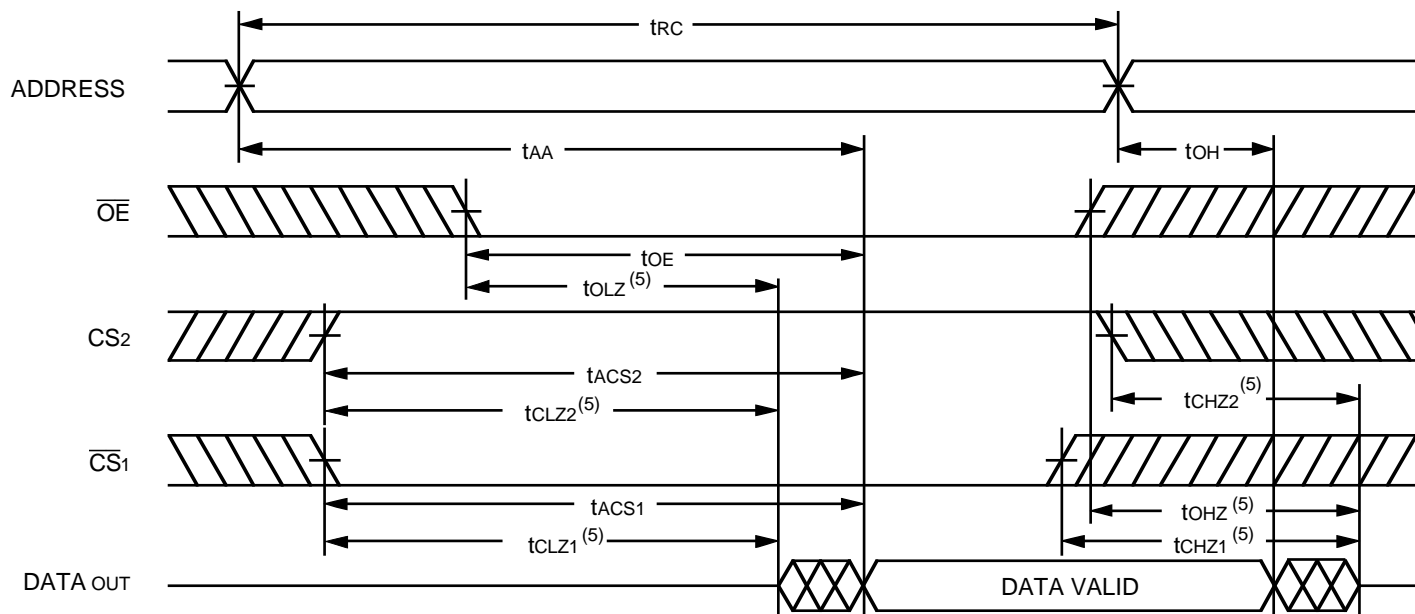
Symbol	Parameter	7164S35 7164L35		7164S45 <sup>(2)</sup> 7164L45 <sup>(2)</sup>		7164S55 <sup>(2)</sup> 7164L55 <sup>(2)</sup>		7164S70/85 <sup>(2)</sup> 7164L70/85 <sup>(2)</sup>		Unit
		Min.	Max.	Min.	Max.	Min.	Max.	Min.	Max.	
<b>Read Cycle</b>										
t <sub>RC</sub>	Read Cycle Time	35	—	45	—	55	—	70/85	—	ns
t <sub>AA</sub>	Address Access Time	—	35	—	45	—	55	—	70/85	ns
t <sub>ACS1</sub> <sup>(3)</sup>	Chip Select-1 Access Time	—	35	—	45	—	55	—	70/85	ns
t <sub>ACS2</sub> <sup>(3)</sup>	Chip Select-2 Access Time	—	40	—	45	—	55	—	70/85	ns
t <sub>CLZ1,2</sub> <sup>(4)</sup>	Chip Select-1, 2 to Output in Low-Z	5	—	5	—	5	—	5	—	ns
t <sub>OE</sub>	Output Enable to Output Valid	—	18	—	25	—	30	—	35/40	ns
t <sub>OLZ</sub> <sup>(4)</sup>	Output Enable to Output in Low-Z	0	—	0	—	0	—	0	—	ns
t <sub>CHZ1,2</sub> <sup>(4)</sup>	Chip Select-1, 2 to Output in High-Z	—	15	—	20	—	25	—	30/35	ns
t <sub>OHZ</sub> <sup>(4)</sup>	Output Disable to Output in High-Z	—	15	—	20	—	25	—	30/35	ns
t <sub>OH</sub>	Output Hold from Address Change	5	—	5	—	5	—	5	—	ns
t <sub>PU</sub> <sup>(4)</sup>	Chip Select to Power Up Time	0	—	0	—	0	—	0	—	ns
t <sub>PD</sub> <sup>(4)</sup>	Chip Deselect to Power Down Time	—	35	—	45	—	55	—	70/85	ns
<b>Write Cycle</b>										
t <sub>WC</sub>	Write Cycle Time	35	—	45	—	55	—	70/85	—	ns
t <sub>CW1,2</sub>	Chip Select to End-of-Write	25	—	33	—	50	—	60/75	—	ns
t <sub>AW</sub>	Address Valid to End-of-Write	25	—	33	—	50	—	60/75	—	ns
t <sub>AS</sub>	Address Set-up Time	0	—	0	—	0	—	0	—	ns
t <sub>WP</sub>	Write Pulse Width	25	—	25	—	50	—	60/75	—	ns
t <sub>WR1</sub>	Write Recovery Time ( $\overline{CS}_1, \overline{WE}$ )	0	—	0	—	0	—	0	—	ns
t <sub>WR2</sub>	Write Recovery Time (CS <sub>2</sub> )	5	—	5	—	5	—	5	—	ns
t <sub>WHZ</sub> <sup>(4)</sup>	Write Enable to Output in High-Z	—	14	—	18	—	25	—	30/35	ns
t <sub>DW</sub>	Data to Write Time Overlap	15	—	20	—	25	—	30/35	—	ns
t <sub>DH1</sub>	Data Hold from Write Time ( $\overline{CS}_1, \overline{WE}$ )	0	—	0	—	0	—	0	—	ns
t <sub>DH2</sub>	Data Hold from Write Time (CS <sub>2</sub> )	5	—	5	—	5	—	5	—	ns
t <sub>OW</sub> <sup>(4)</sup>	Output Active from End-of-Write	4	—	4	—	4	—	4	—	ns

**NOTES:**

- 0° to +70°C temperature range only.
- 55°C to +125°C temperature range only. Also available: 100ns military devices.
- Both chip selects must be active for the device to be selected.
- This parameter is guaranteed by device characterization, but is not production tested.

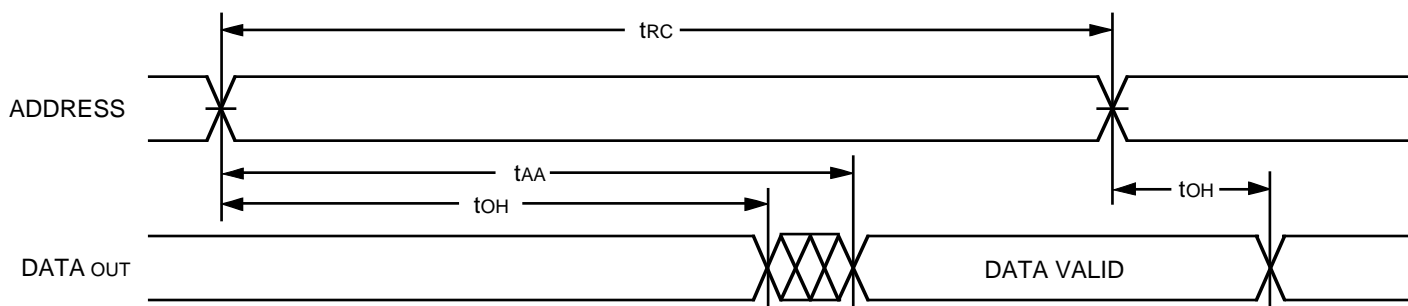
2967 tbl 11

### TIMING WAVEFORM OF READ CYCLE NO. 1<sup>(1)</sup>



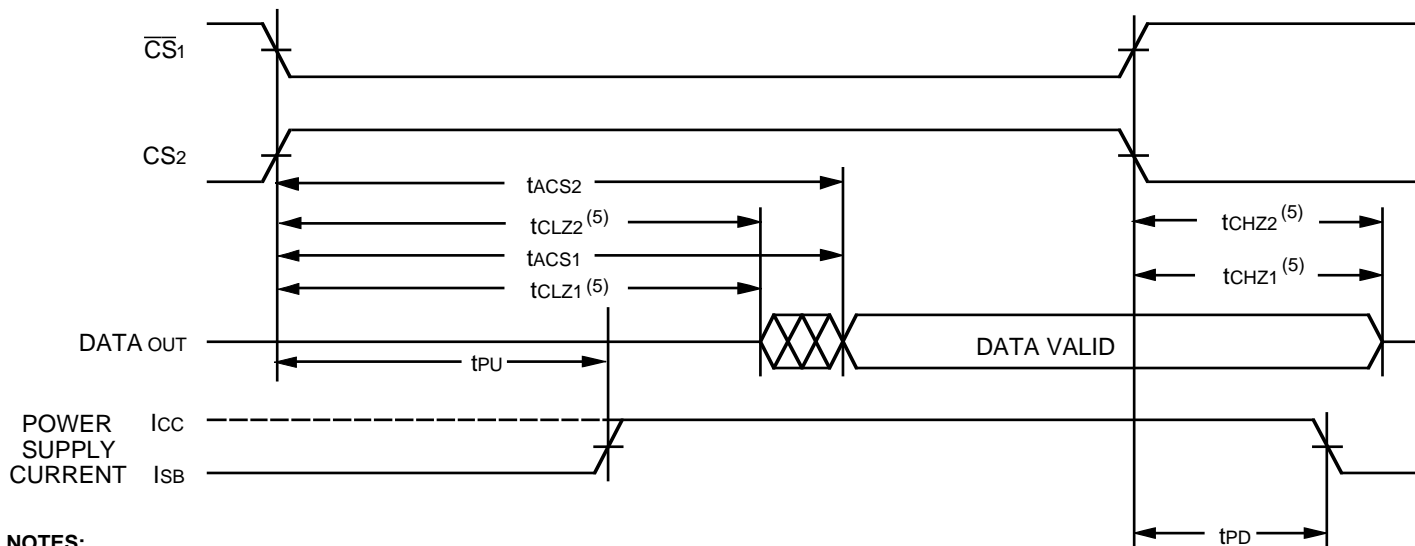
2967 drw 05

### TIMING WAVEFORM OF READ CYCLE NO. 2<sup>(1, 2, 4)</sup>



2967 drw 06

### TIMING WAVEFORM OF READ CYCLE NO. 3<sup>(1, 3, 4)</sup>

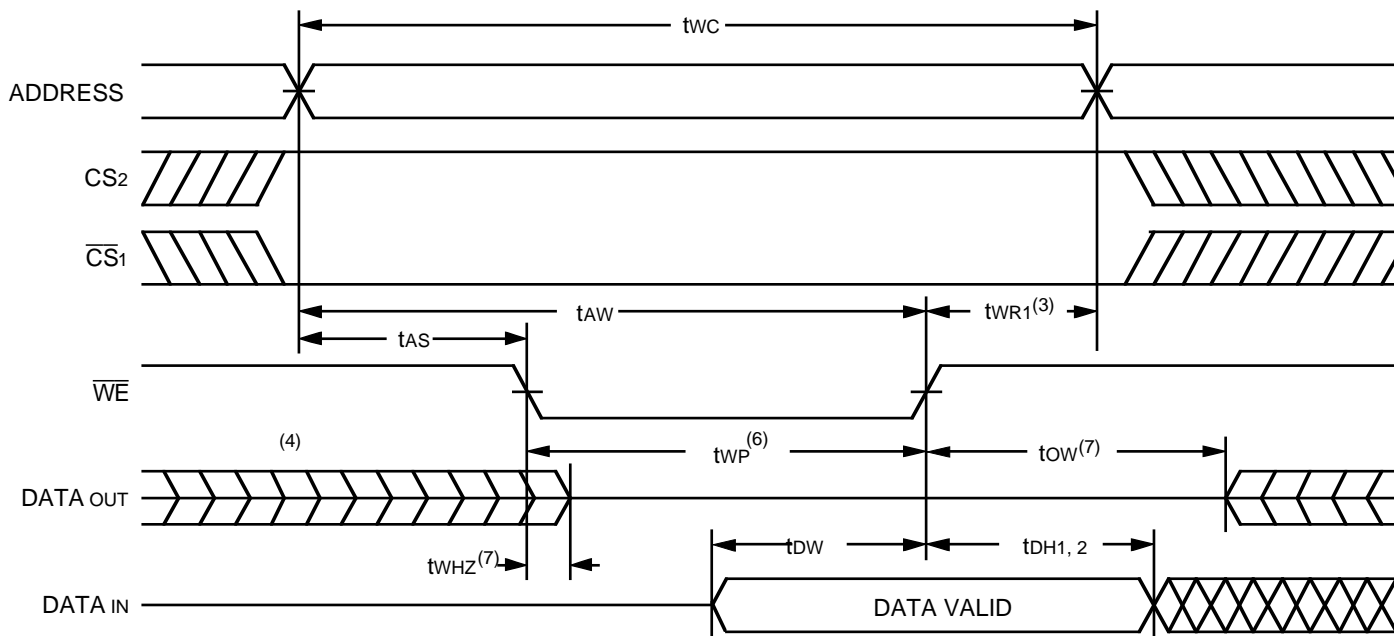


2967 drw 07

**NOTES:**

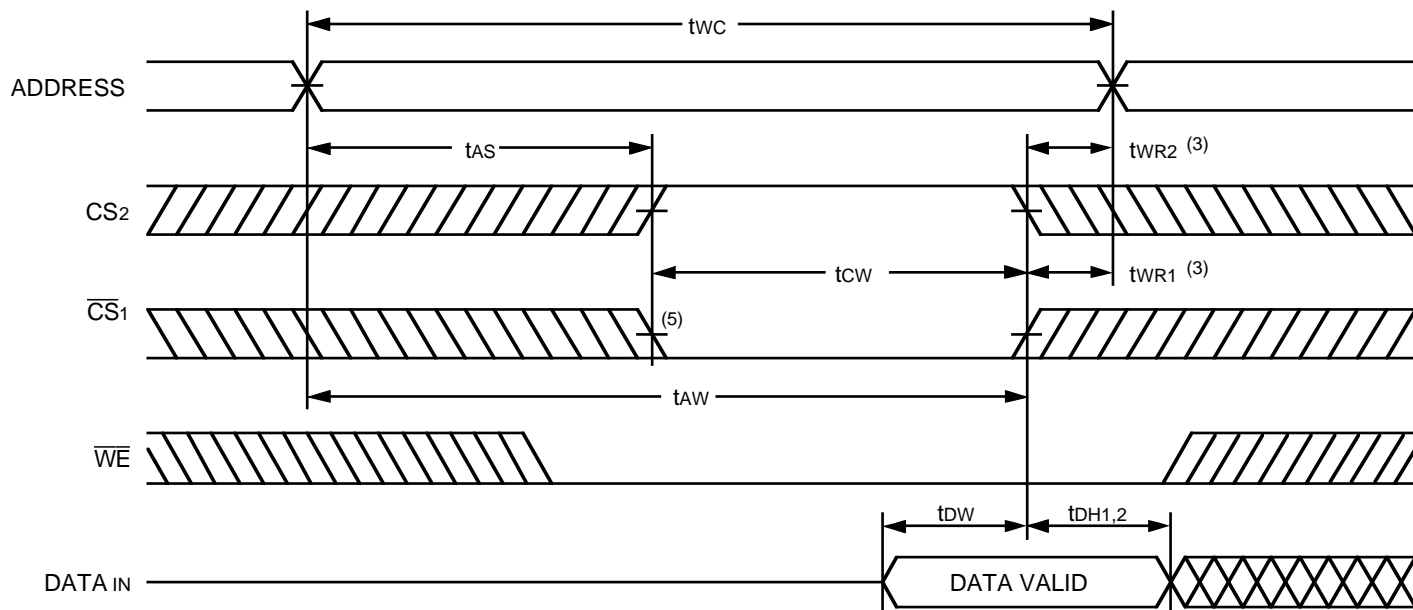
1.  $\overline{WE}$  is HIGH for Read cycle.
2. Device is continuously selected,  $\overline{CS1}$  is LOW,  $CS2$  is HIGH.
3. Address valid prior to or coincident with  $\overline{CS1}$  transition LOW and  $CS2$  transition HIGH.
4.  $\overline{OE}$  is LOW.
5. Transition is measured  $\pm 200\text{mV}$  from steady state.

**TIMING WAVEFORM OF WRITE CYCLE NO. 1 ( $\overline{WE}$  CONTROLLED TIMING)<sup>(1, 2, 6)</sup>**



2967 drw 08

**TIMING WAVEFORM OF WRITE CYCLE NO. 2 ( $\overline{CS}$  CONTROLLED TIMING)<sup>(1, 2)</sup>**



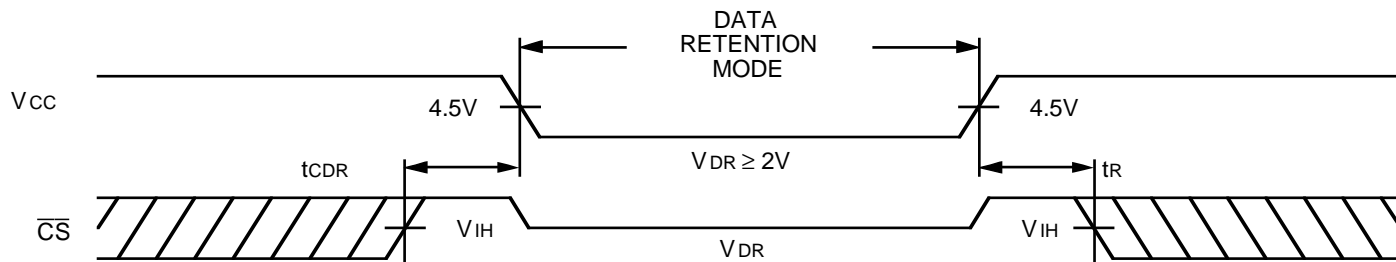
2967 drw 09

**NOTES:**

1.  $\overline{WE}$ ,  $\overline{CS1}$  or  $CS2$  must be inactive during all address transitions.
2. A write occurs during the overlap of a LOW  $\overline{WE}$ , a LOW  $\overline{CS1}$  and a HIGH  $CS2$ .
3.  $tWR1, 2$  is measured from the earlier of  $\overline{CS1}$  or  $\overline{WE}$  going HIGH or  $CS2$  going LOW to the end of the write cycle.
4. During this period, I/O pins are in the output state so that the input signals must not be applied.
5. If the  $\overline{CS1}$  LOW transition or  $CS2$  HIGH transition occurs simultaneously with or after the  $\overline{WE}$  LOW transition, the outputs remain in a high-impedance state.
6.  $\overline{OE}$  is continuously HIGH. If  $\overline{OE}$  is LOW during a  $\overline{WE}$  controlled write cycle, the write pulse width must be the larger of  $tWP$  or  $(tWHZ + tDW)$  to allow the I/O drivers to turn off and data to be placed on the bus for the required  $tDW$ . If  $\overline{OE}$  is HIGH during a  $\overline{WE}$  controlled write cycle, this requirement does not apply and the minimum write pulse width is as short as the specified  $tWP$ .
7. Transition is measured  $\pm 200mV$  from steady state.



### LOW V<sub>CC</sub> DATA RETENTION WAVEFORM



2967 drw 10

### ORDERING INFORMATION

IDT	7164	X	XX	XXX	X		
Device Type	Power	Speed	Package	Process/ Temperature Range			
					Blank	Commercial (0°C to +70°C)	
					B	Military (-55°C to +125°C) Compliant to MIL-STD-883, Class B	
					Y	300 mil SOJ (SO28-5)	
					TD	300 mil CERDIP (D28-3)	
					D	600 mil CERDIP (D28-1)	
					P	600 mil Plastic DIP (P28-1)	
					TP	300 mil Plastic DIP (P28-2)	
					15	Commercial Only } Speed in nanoseconds	
					20		
					25		
					30		Military Only
					35		Military Only
					45		Military Only
					55		Military Only
					70		
					85	Military Only	
					S	Standard Power	
					L	Low Power	

2967 drw 11