

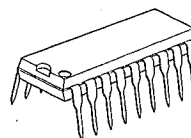
LOW POWER NARROW BAND FM IF

■ GENERAL DESCRIPTION

The NJM3359 is a low power narrow band FM detector integrated circuit for FM dual conversion of communication equipment. The NJM3359 includes oscillator, limiting amplifier, AFC circuit, quadrature detect, operational amplifier, squelch circuit, scan-control and muting switch.

The NJM3359 is a circuit of NJM3357 plus one stage limiting IF amplifier and AFC output terminal.

■ PACKAGE OUTLINE



NJM3359D

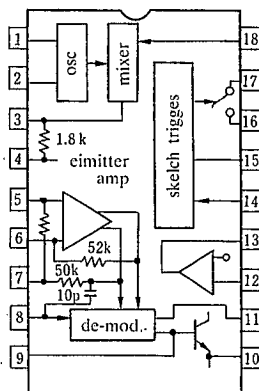
■ FEATURES

- Low Operating Current (3.6mA typ @V⁺=6V)
- Input Limiting Voltage (2.0 μVrms typ @ -3dB)
- Minimum other parts.
- Package Outline DIP18
- Bipolar Technology

■ RECOMMENDED OPERATIONAL CONDITION

- Operating Voltage 4~9V

■ PIN CONFIGURATION



NJM3359D

PIN FUNCTION

Pin No.

- | | |
|-----------------------|-------------------------|
| 1. crystal | 10. de-modulator output |
| 2. crystal | 11. AFC |
| 3. mixer output | 12. filter input |
| 4. V ⁺ | 13. filter output |
| 5. limitter input | 14. sketch input |
| 6. de-coupling | 15. scan, control |
| 7. de-coupling | 16. audio muting |
| 8. detector input | 17. GND |
| 9. de-modulator input | 18. RF input |

■ ABSOLUTE MAXIMUM RATINGS

(Ta=25°C)

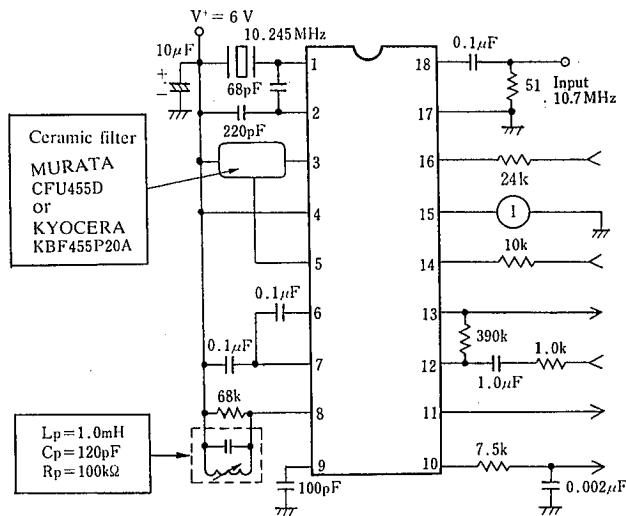
PARAMETER	SYMBOL	RATINGS	UNIT
Supply Voltage	V*	12	V
Input Voltage	V _{IK}	1.0	V _{rms}
Muting Function	V _{I6}	-0.7 ~ 12	V _{PK}
Operating Temperature Range	T _{opr}	-20 ~ 75	°C
Storage Temperature Range	T _{stg}	-40 ~ 125	°C

■ ELECTRICAL CHARACTERISTICS

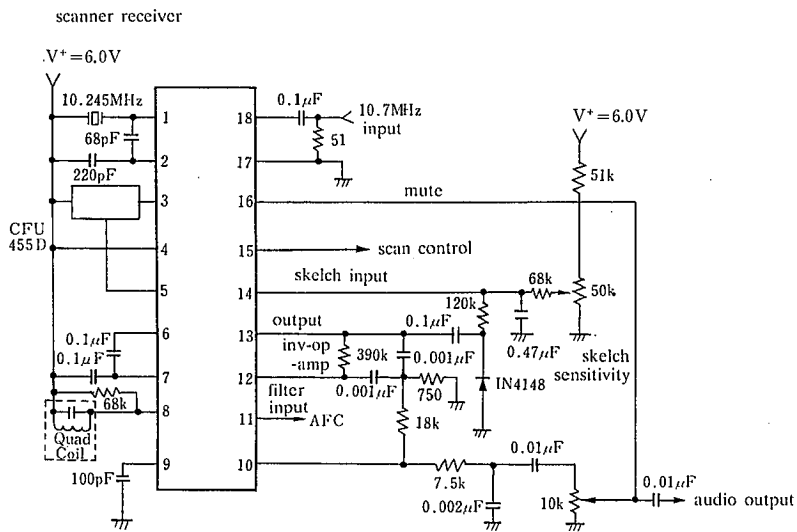
(V*=6V, fo=10.7MHz, Δf=±3.0kHz, fmod=1.0kHz, Ta=25°C)

PARAMETER	PIN	MIN.	TYP.	MAX.	UNIT
Operating Current	P _{IN} 4, 8	—	3.6	6.0	mA
Squelch OFF		—	5.4	7.0	mA
Squelch ON		—	8.0	—	μVrms
Input Sensitivity (S/N: 20dB)		—	2.0	—	μVrms
Input Limiting Voltage (-3dB)		—	33	—	dB
Mixer Voltage Gain	P _{IN} 18 - P _{IN} 3 Open	—	-1.0	—	dBm
Mixer Intercept Point	50Ω input	—	3.6	—	kΩ
Mixer Input Resistance		—	2.2	—	pF
Mixer Input Capacitance		450	700	—	mVrms
Recovered Audio Output Voltage	P _{IN} 10, V _{IN} =1.0mVrms	—	0.3	—	V/kHz
Detector Center Frequency Slope	P _{IN} 10	—	12	—	V/kHz
AFC Center Frequency Slope	P _{IN} 11, R _L =∞	40	51	—	dB
Filter Gain	f _{in} =10kHz, V _{IN} =5mV	—	0.62	—	V _{dc}
Squelch Threshold Voltage	P _{IN} 14, 10kΩ	—	0.01	1.0	μA
Scan Control Current	P _{IN} 15	—	2.0	2.4	mA
	P _{IN} 14 - High	—	—	—	—
	- Low	—	—	—	—
Mute Switch Impedance	P _{IN} 16 - GND	—	5.0	10	Ω
	P _{IN} 14 - High	—	—	—	—
	- Low	—	1.5	—	MΩ

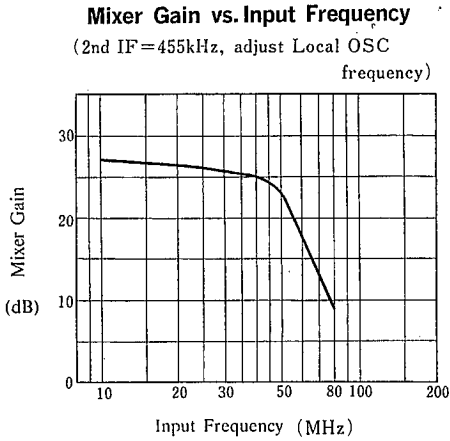
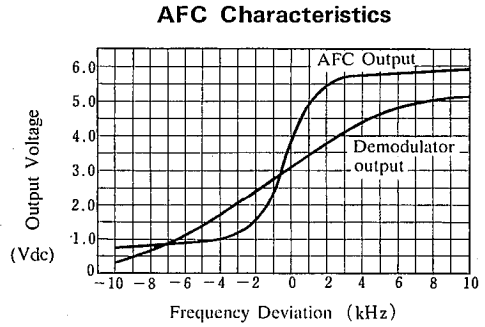
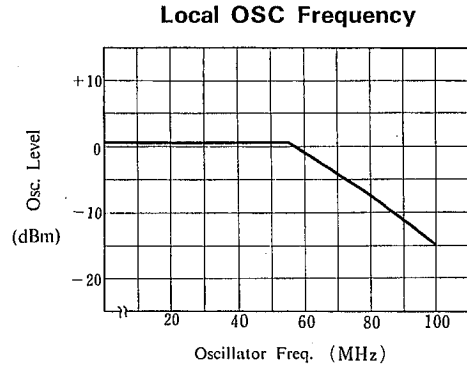
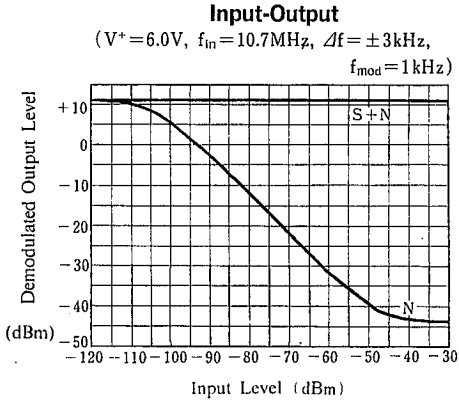
■ TEST CIRCUIT



■ APPLICATION EXAMPLE

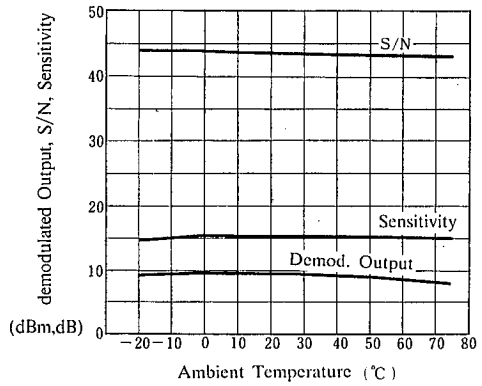
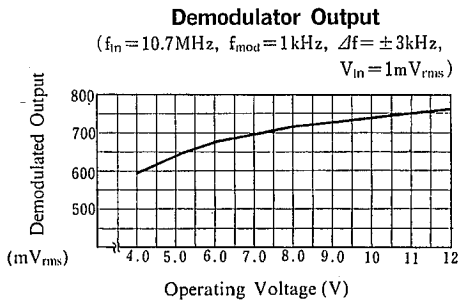


TYPICAL CHARACTERISTICS



Temperature Characteristics

($V^+ = 6.0V$, $f_{in} = 10.7MHz$, $f_{mod} = 1kHz$,
 $\Delta f = \pm 3kHz$, $S/N : V_{in} = 1mV_{rms}$,
 Sensitivity : $V_{in} = 8.0\mu V_{rms}$)



MEMO

[CAUTION]

The specifications on this databook are only given for information, without any guarantee as regards either mistakes or omissions. The application circuits in this databook are described only to show representative usages of the product and not intended for the guarantee or permission of any right including the industrial rights.