

Low-Drop Voltage Regulator

TLE 4276

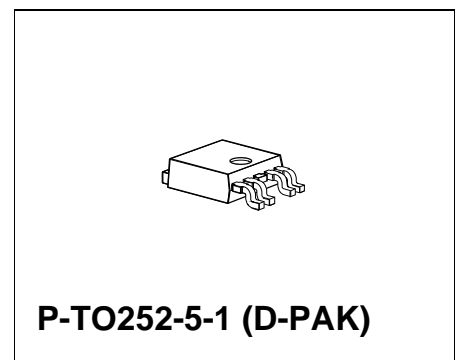
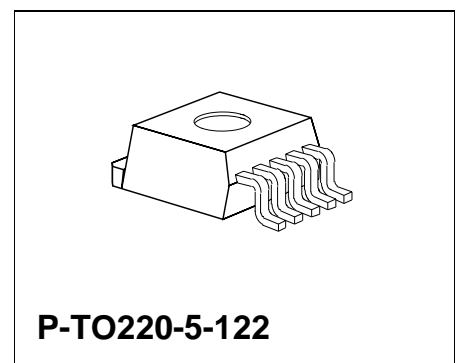
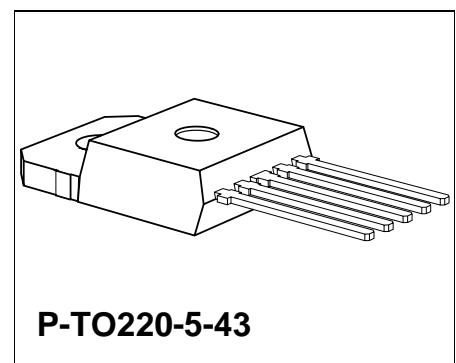
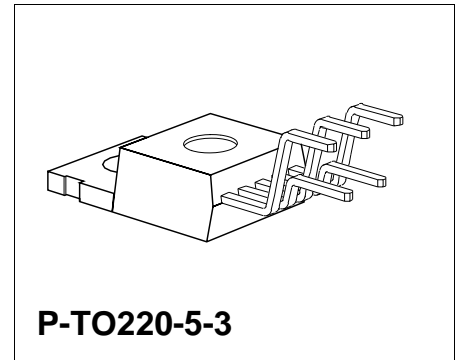
Features

- Output voltage tolerance $\leq \pm 4\%$
- Low-drop voltage
- Inhibit input
- Very low current consumption
- Short-circuit-proof
- Reverse polarity proof
- Suitable for use in automotive electronics

Type	Ordering Code	Package
TLE 4276 V50	Q67000-A9262	P-TO220-5-3
TLE 4276 V85	Q67000-A9263	P-TO220-5-3
TLE 4276 V10	Q67000-A9264	P-TO220-5-3
TLE 4276 G V50	Q67006-A9266	P-TO220-5-122
TLE 4276 G V85	Q67006-A9268	P-TO220-5-122
TLE 4276 G V10	Q67006-A9270	P-TO220-5-122
TLE 4276 S V50	Q67000-A9267	P-TO220-5-43
TLE 4276 S V85	Q67000-A9269	P-TO220-5-43
TLE 4276 S V10	Q67000-A9271	P-TO220-5-43
TLE 4276 V	Q67000-A9265	P-TO220-5-3
TLE 4276 SV	Q67000-A9273	P-TO220-5-43
TLE 4276 GV	Q67006-A9272	P-TO220-5-122
▼ TLE 4276 D V50	Q67006-A9358	P-TO252-5-1
▼ TLE 4276 DV	Q67006-A9361	P-TO252-5-1

■ SMD = Surface Mounted Device

▼ New type



Functional Description

The TLE 4276 is a low-drop voltage regulator in a TO220 package. The IC regulates an input voltage up to 40 V to $V_{Qrated} = 5.0$ V (V50), 8.5 V (V85), 10 V (V10) and adjustable voltage (V). The maximum output current is 400 mA. The IC can be switched off via the inhibit input, which causes the current consumption to drop below 10 μ A. The IC is short-circuit-proof and incorporates temperature protection that disables it at over-temperature.

Dimensioning Information on External Components

The input capacitor C_1 is necessary for compensating line influences. Using a resistor of approx. 1 Ω in series with C_1 , the oscillating of input inductivity and input capacitance can be damped. The output capacitor C_Q is necessary for the stability of the regulation circuit. Stability is guaranteed at values $C_Q \geq 22$ μ F and an ESR of ≤ 3 Ω within the operating temperature range.

Circuit Description

The control amplifier compares a reference voltage to a voltage that is proportional to the output voltage and drives the base of the series transistor via a buffer. Saturation control as a function of the load current prevents any oversaturation of the power element. The IC also incorporates a number of internal circuits for protection against:

- Overload
- Overtemperature
- Reverse polarity

Pin Configuration (top view)

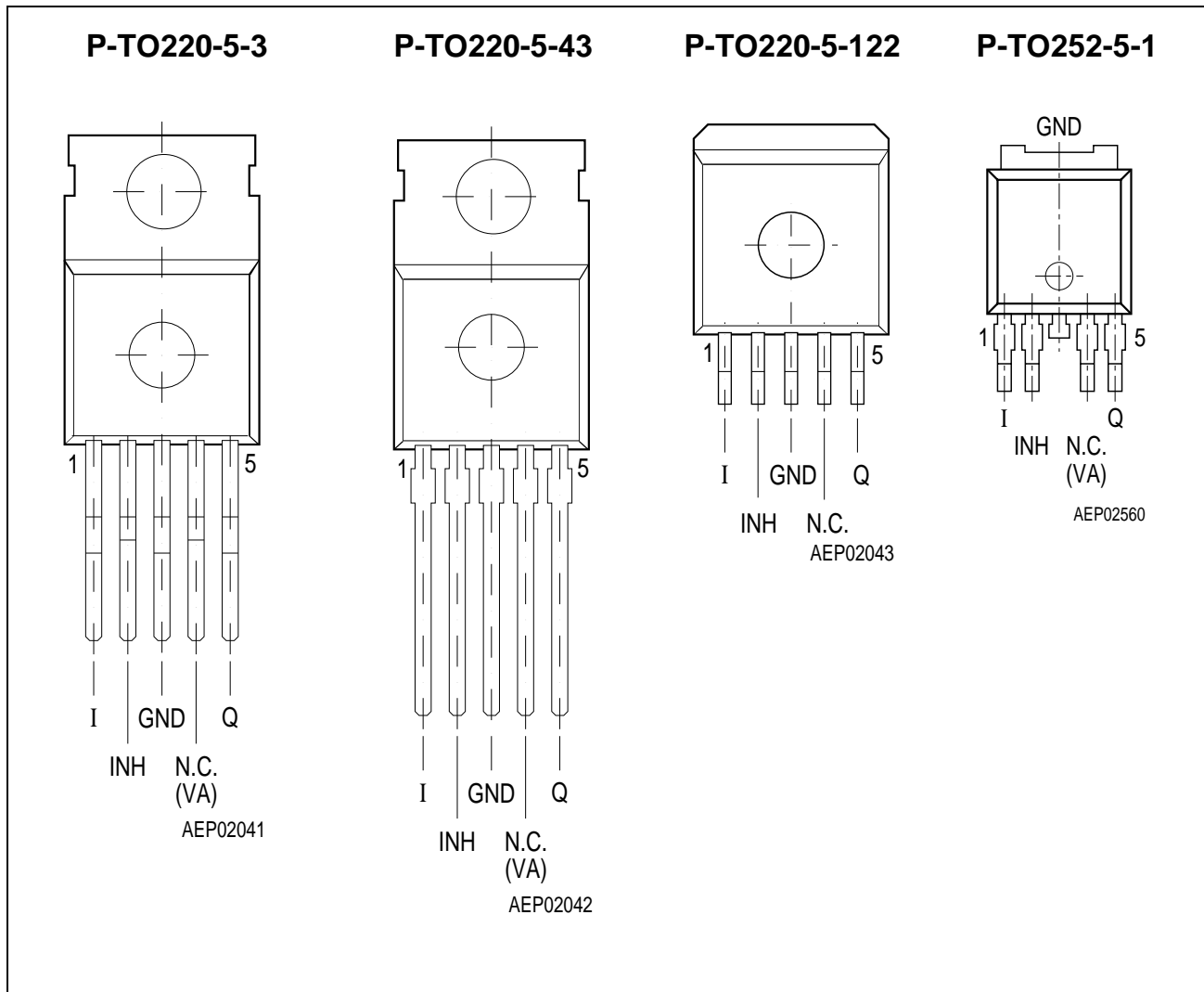


Figure 1

Pin Definitions and Functions

Pin No.	Symbol	Function
1	I	Input ; block to ground directly at the IC with a ceramic capacitor.
2	INH	Inhibit ; low-active input
3	GND	Ground
4	N.C. VA	Not connected for V50, V85, V10 Voltage Adjust Input ; only for adjustable output from external voltage divider.
5	Q	Output ; block to ground with a $\geq 22 \mu\text{F}$ capacitor.

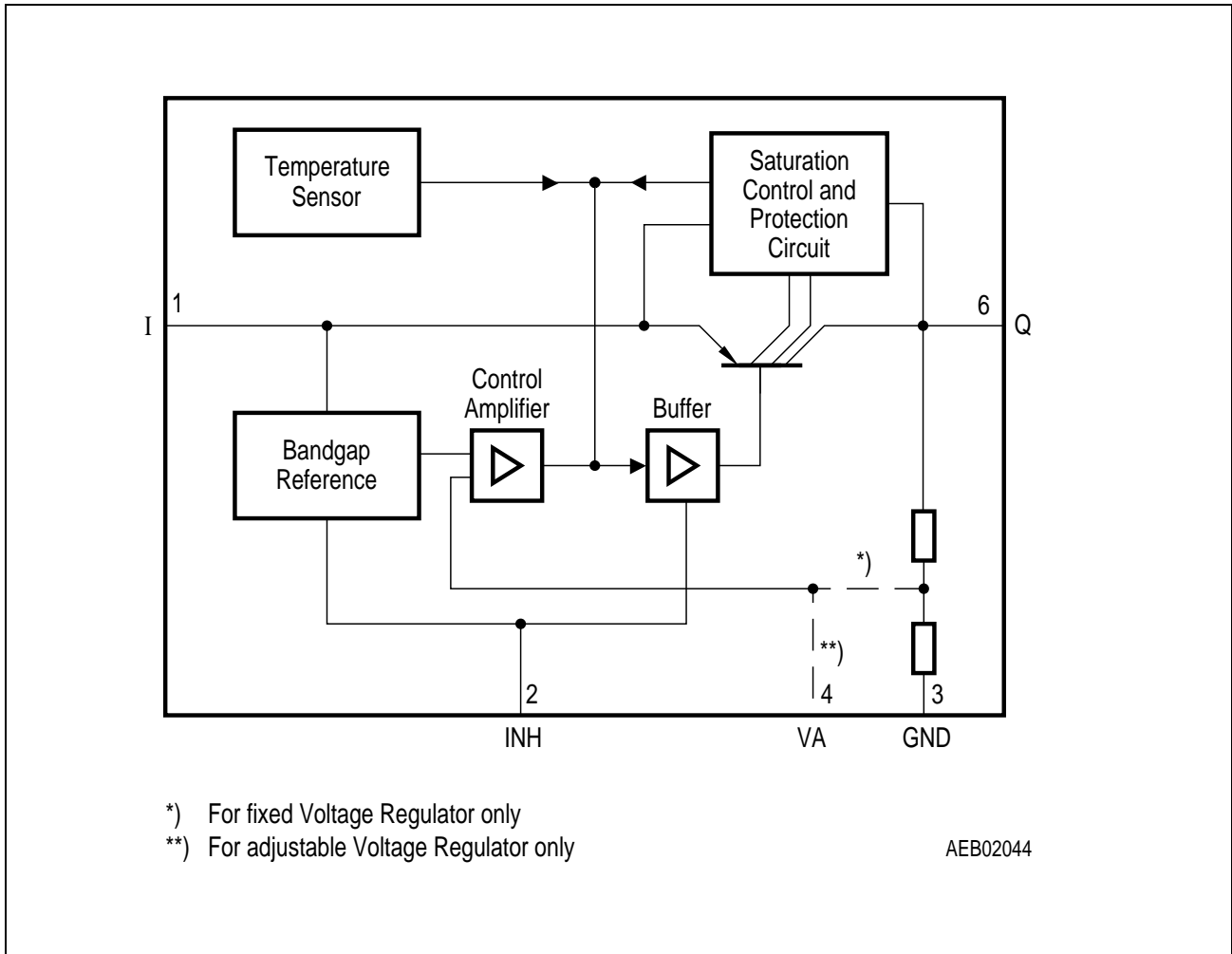


Figure 2
Block Diagram

Absolute Maximum Ratings

$T_j = -40$ to 150 °C

Parameter	Symbol	Limit Values		Unit	Test Condition
		min.	max.		

Voltage Regulator

Input

Voltage	V_I	- 42	45	V	-
Current	I_I	-	-	-	Internally limited

Inhibit

Voltage	V_{INH}	- 42	45	V	-
---------	-----------	------	----	---	---

Voltage Adjust Input

Voltage	V_{VA}	- 0.3	10	V	-
---------	----------	-------	----	---	---

Output

Voltage	V_Q	- 1.0	40	V	-
Current	I_Q	-	-	-	Internally limited

Ground

Current	I_{GND}	-	100	mA	-
---------	-----------	---	-----	----	---

Temperature

Junction temperature	T_j	-	150	°C	-
Storage temperature	T_{stg}	- 50	150	°C	-

Note: Maximum ratings are absolute ratings; exceeding any one of these values may cause irreversible damage to the integrated circuit.

Operating Range

Parameter	Symbol	Limit Values		Unit	Remarks
		min.	max.		
Input voltage	V_I	$V_Q + 0.5$	40	V	–
Junction temperature	T_j	– 40	150	°C	–

Thermal Resistance

Junction ambient	R_{thja}	–	65	K/W	TO220
Junction ambient	R_{thja}	–	70	K/W	TO252 ¹⁾ , TO263
Junction case	R_{thjc}	–	4	K/W	–

¹⁾ Soldered in, minimal footprint

Characteristics

$V_I = 13.5 \text{ V}$; $-40 \text{ °C} < T_j < 150 \text{ °C}$ (unless otherwise specified)

Parameter	Symbol	Limit Values			Unit	Measuring Condition	Measuring Circuit
		min.	typ.	max.			
Output voltage	V_Q	4.8	5	5.2	V	V50-Version $5 \text{ mA} < I_Q < 400 \text{ mA}$ $6 \text{ V} < V_I < 40 \text{ V}$	1
Output voltage	V_Q	8.16	8.5	8.84	V	V85-Version $5 \text{ mA} < I_Q < 400 \text{ mA}$ $9.5 \text{ V} < V_I < 40 \text{ V}$	1
Output voltage	V_Q	9.6	10	10.4	V	V10-Version $5 \text{ mA} < I_Q < 400 \text{ mA}$ $11 \text{ V} < V_I < 40 \text{ V}$	1
Output voltage tolerance	ΔV_Q	– 4		4	%	V-Version $V_{V.A.} = 2.5 \text{ V}$	1
Output current limitation ¹⁾	I_Q	400	600	–	mA	–	1
Current consumption; $I_q = I_I - I_Q$	I_q	–	0	10	μA	$V_{INH} = 0 \text{ V}$; $T_j \leq 100 \text{ °C}$	1
Current consumption; $I_q = I_I - I_Q$	I_q	–	100	220	μA	$I_Q = 1 \text{ mA}$	1

Characteristics (cont'd)
 $V_I = 13.5 \text{ V}; -40 \text{ }^\circ\text{C} < T_j < 150 \text{ }^\circ\text{C}$ (unless otherwise specified)

Parameter	Symbol	Limit Values			Unit	Measuring Condition	Measuring Circuit
		min.	typ.	max.			
Current consumption; $I_q = I_I - I_Q$	I_q	–	5	10	mA	$I_Q = 250 \text{ mA}$	1
	I_q		15	25	mA	$I_Q = 400 \text{ mA}$	1
Drop voltage ¹⁾	V_{DR}	–	250	500	mV	$I_Q = 250 \text{ mA}$ $V_{DR} = V_I - V_Q$	1
Load regulation	ΔV_Q	–	5	35	mV	$I_Q = 5 \text{ mA to } 400 \text{ mA}$	1
Line regulation	ΔV_Q	–	10	25	mV	$\Delta V_I = 12 \text{ V to } 32\text{V}$ $I_Q = 5 \text{ mA}$	1
Power supply ripple rejection	$PSRR$	–	60	–	dB	$f_r = 100 \text{ Hz};$ $V_r = 0.5 V_{SS}$	1
Temperature output voltage drift	$\frac{dV_Q}{dT}$	–	0.5	–	–	–	mV/K

¹⁾ Measured when the output voltage V_Q has dropped 100 mV from the nominal value obtained at $V_I = 13.5 \text{ V}$.

Inhibit

Inhibit on voltage	V_{INH}	–	2	3.5	V	$V_Q \geq 4.9 \text{ V}$	1
Inhibit off voltage	V_{INH}	0.5	1.7	–	V	$V_Q \leq 0.1 \text{ V}$	1
Input current	I_{INH}	5	10	20	μA	$V_{INH} = 5 \text{ V}$	1

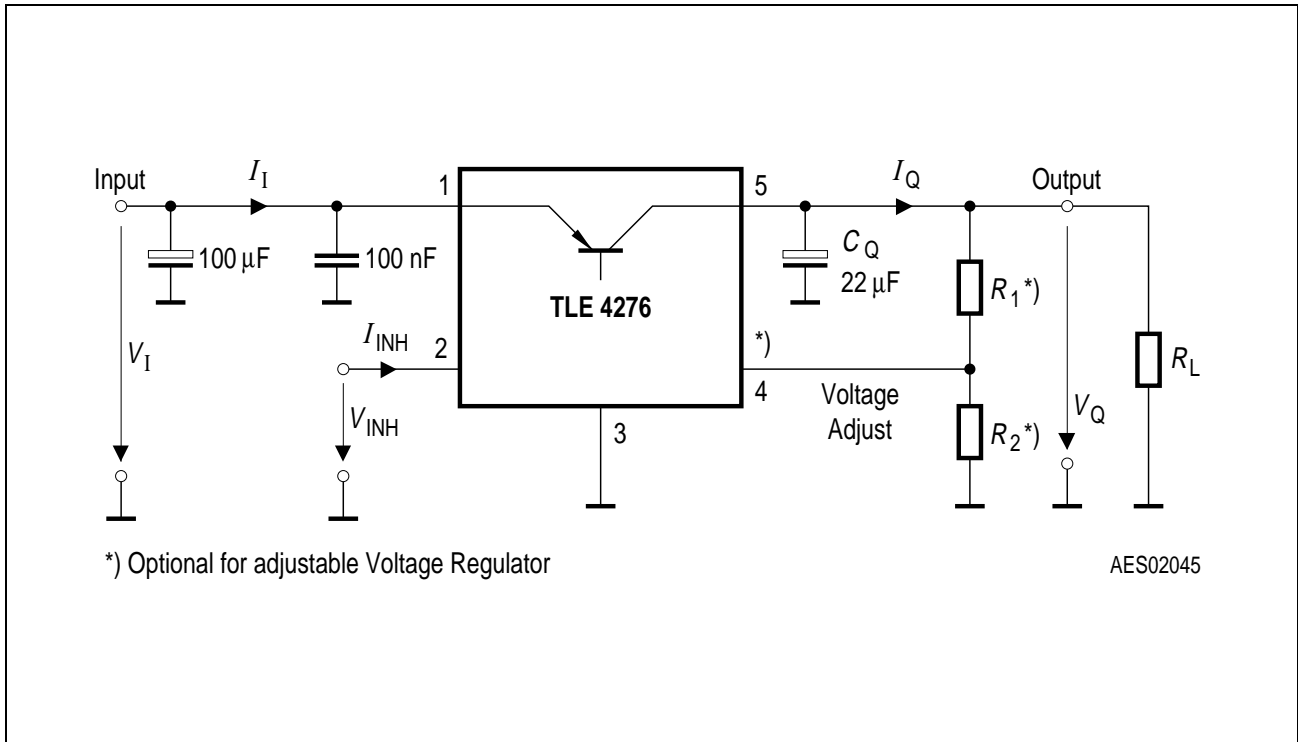


Figure 3
Measuring Circuit

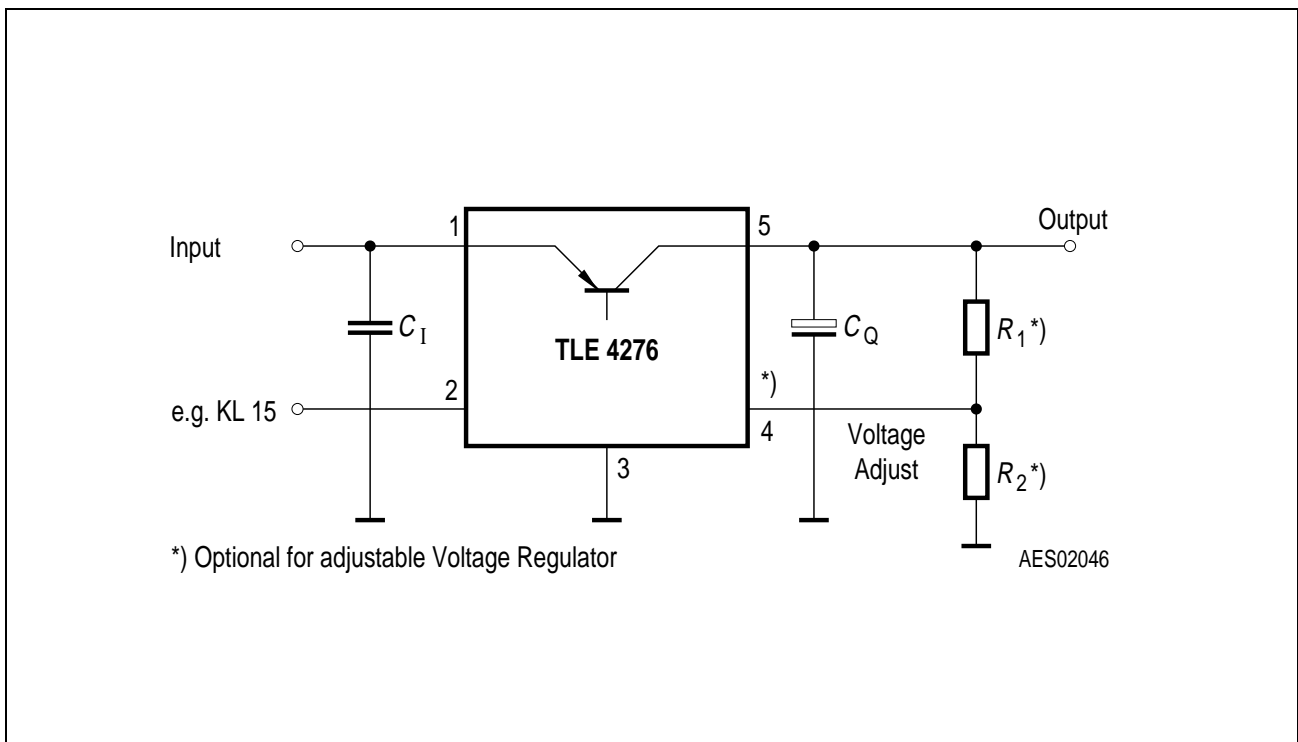
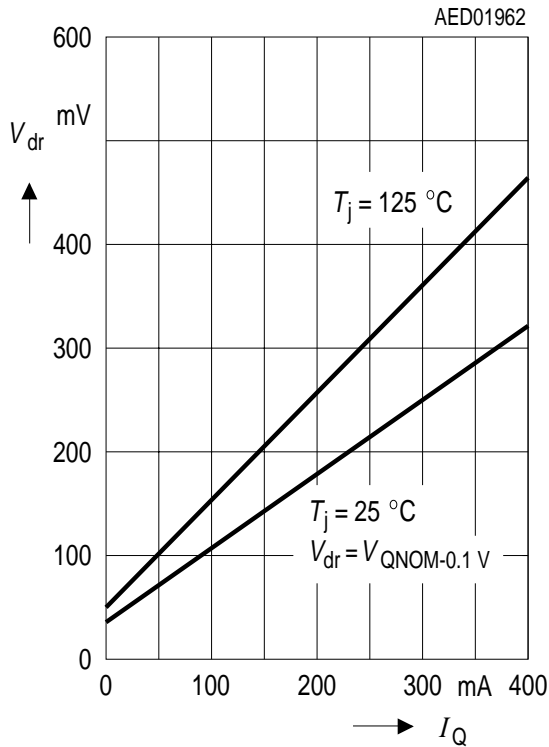


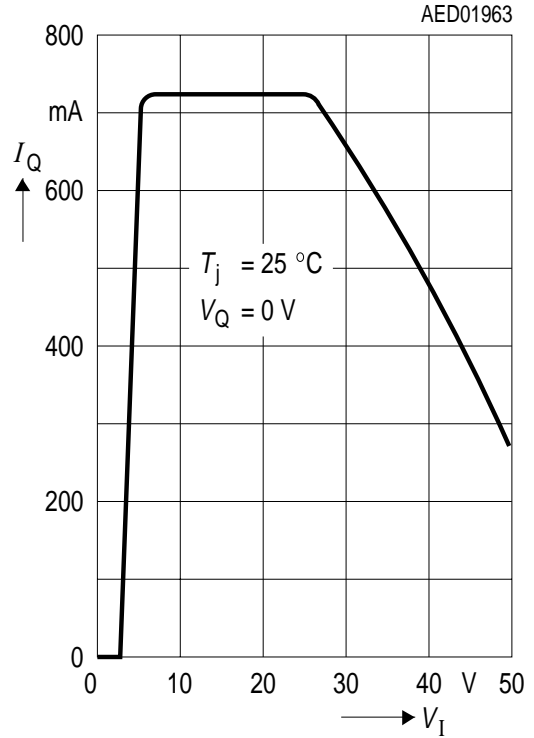
Figure 4
Application Circuit

Typical Performance Characteristics (V50, V85 and V10):

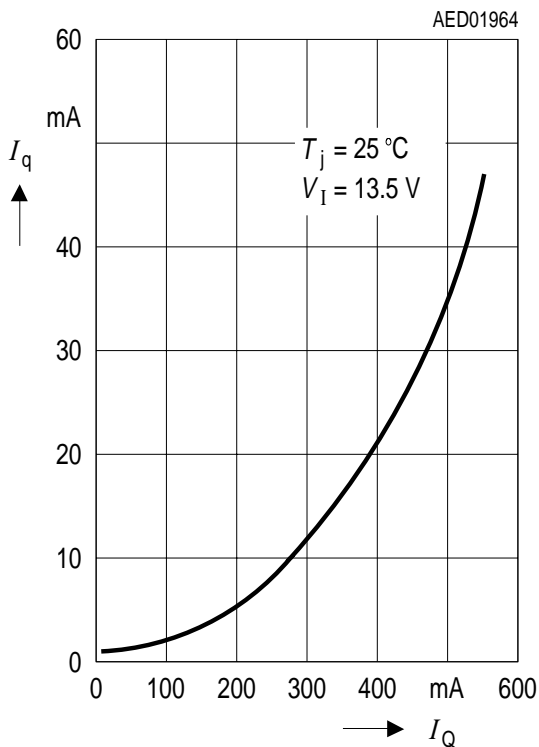
Drop Voltage V_{DR} versus Output Current I_Q



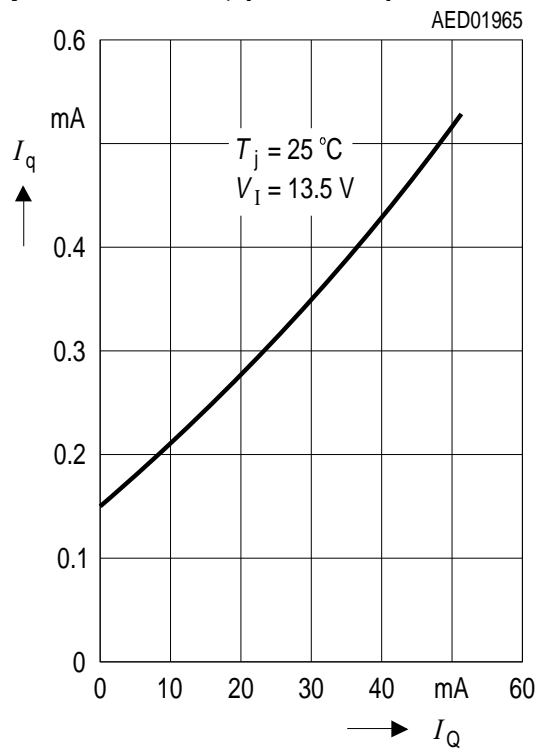
Max. Output Current I_Q versus Input Voltage V_I



Current Consumption I_q versus Output Current I_Q (high load)

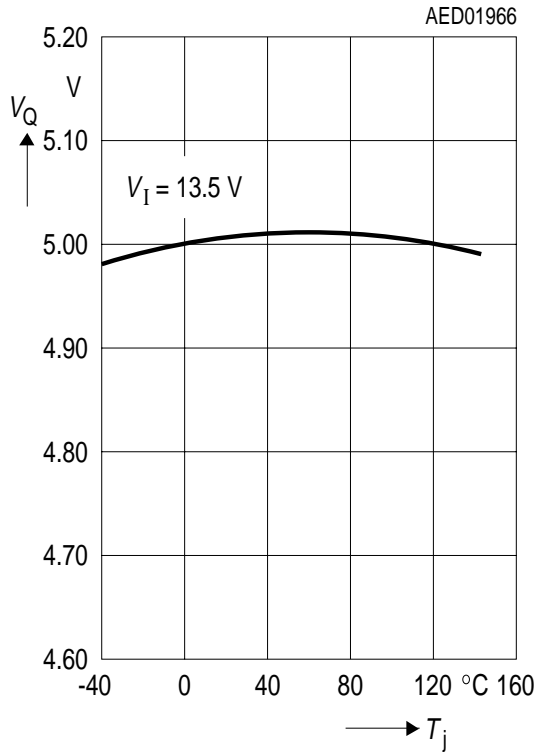


Current Consumption I_q versus Output Current I_Q (low load)

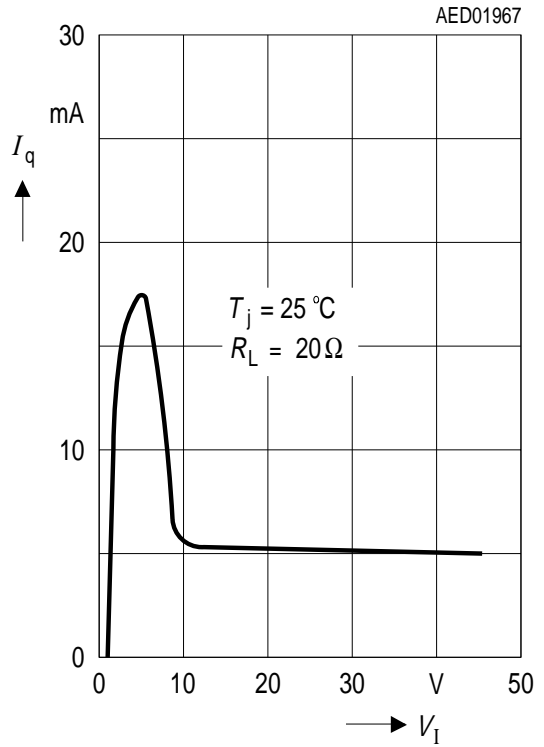


Typical Performance Characteristics for V50:

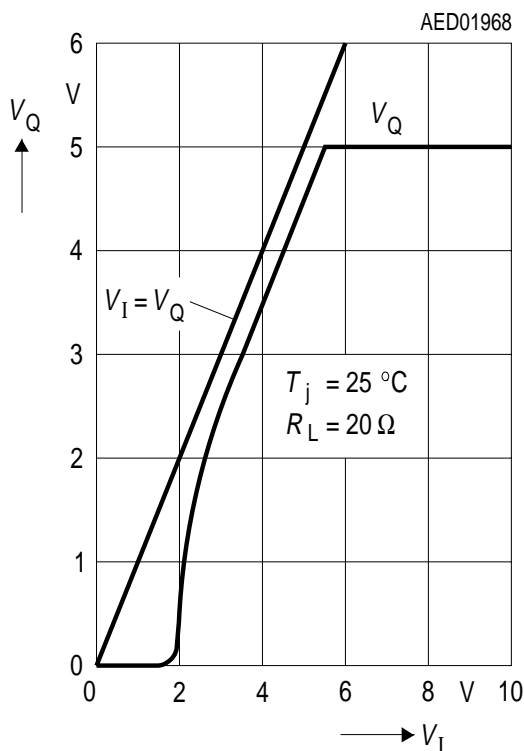
Output Voltage V_Q versus Temperature T_j



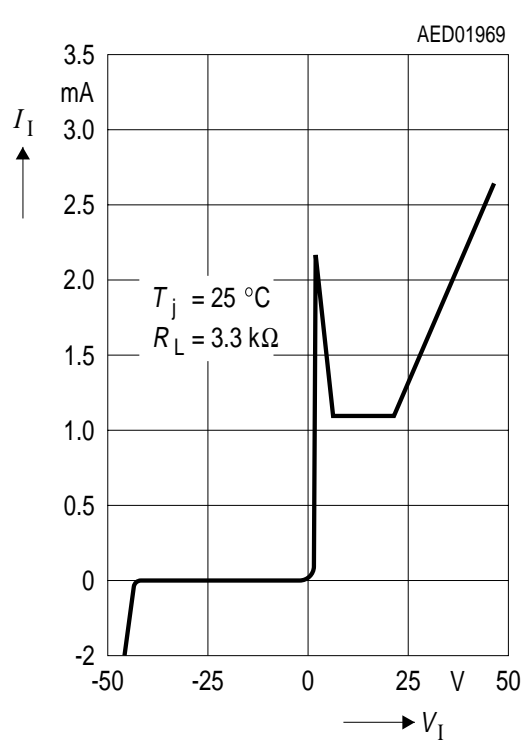
Current Consumption I_q versus Input Voltage V_I



Low Voltage Behavior

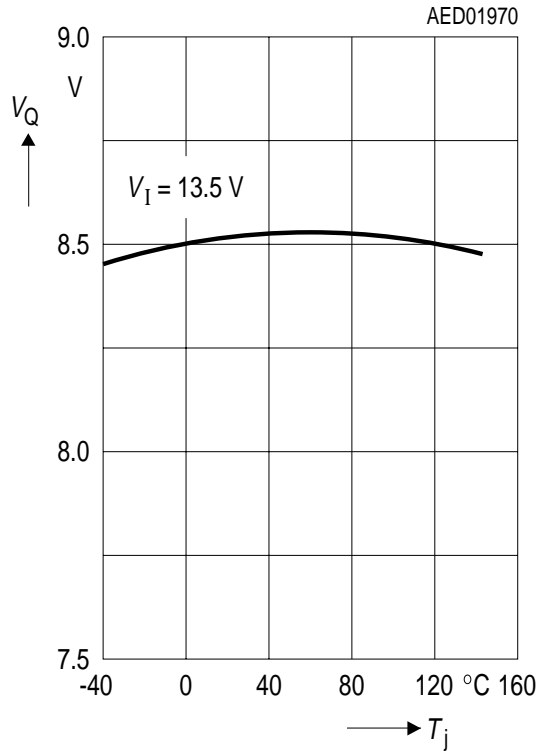


High Voltage Behavior

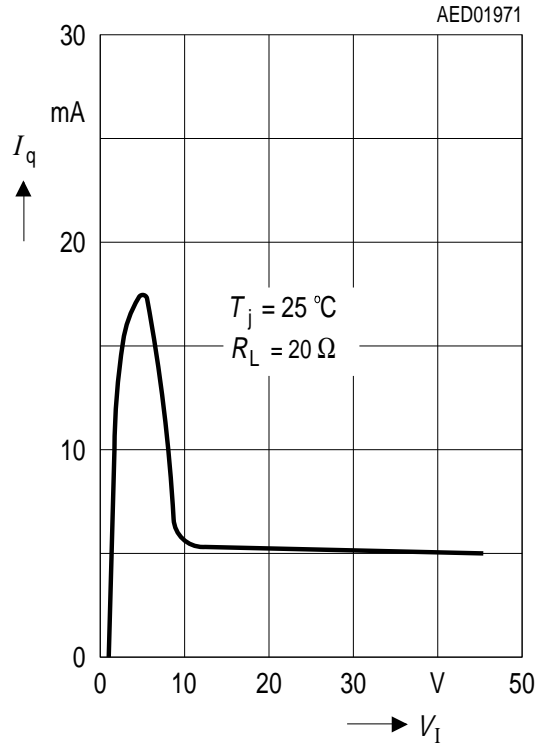


Typical Performance Characteristics for V85:

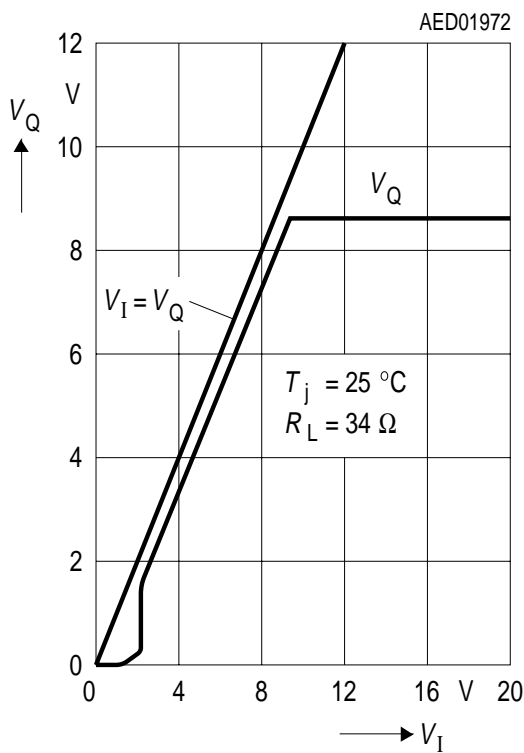
Output Voltage V_Q versus Temperature T_j



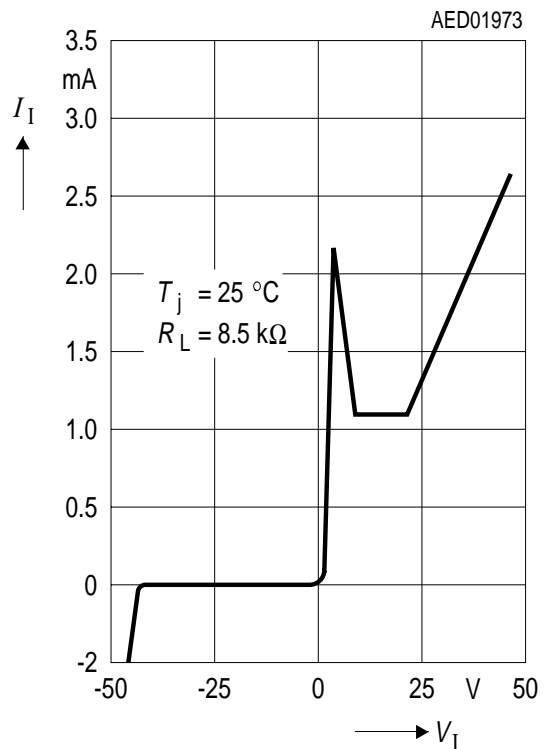
Current Consumption I_q versus Input Voltage V_I



Low Voltage Behavior

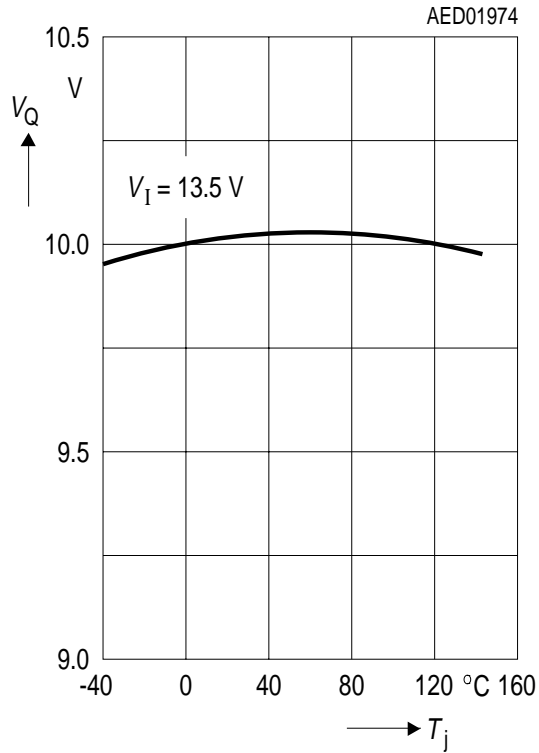


High Voltage Behavior

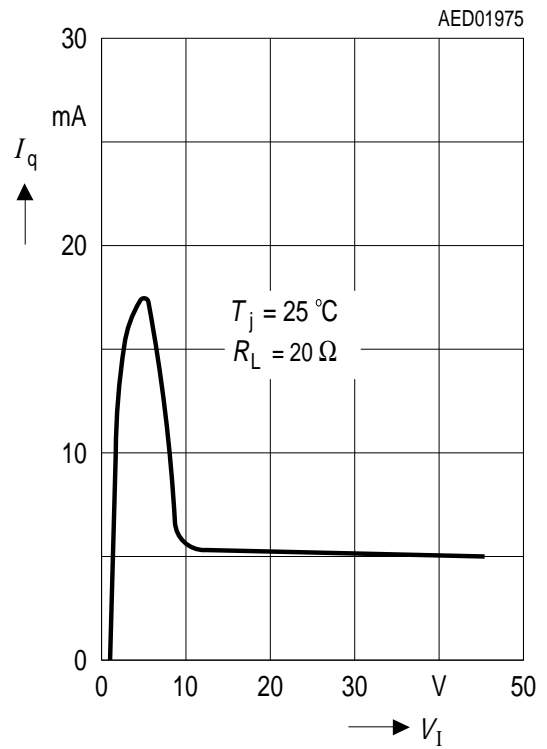


Typical Performance Characteristics for V10:

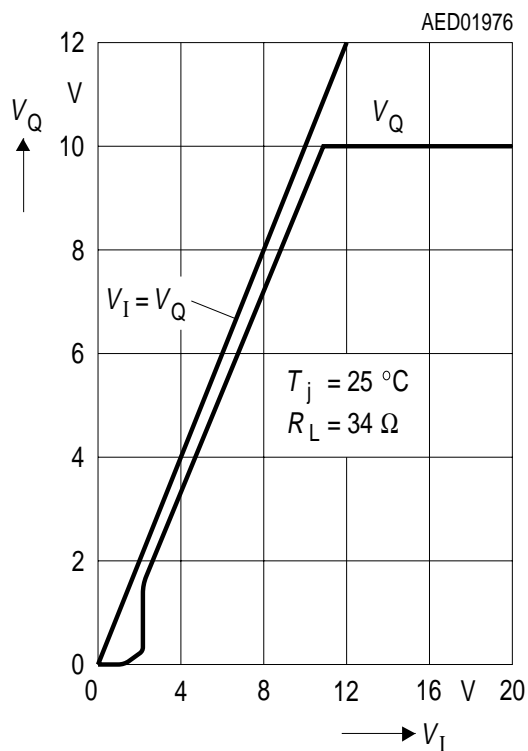
Output Voltage V_Q versus Temperature T_j



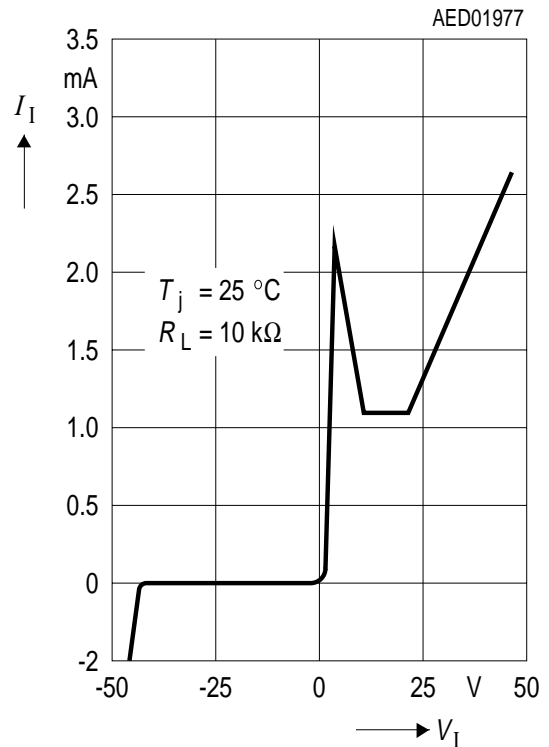
Current Consumption I_q versus Input Voltage V_I



Low Voltage Behavior



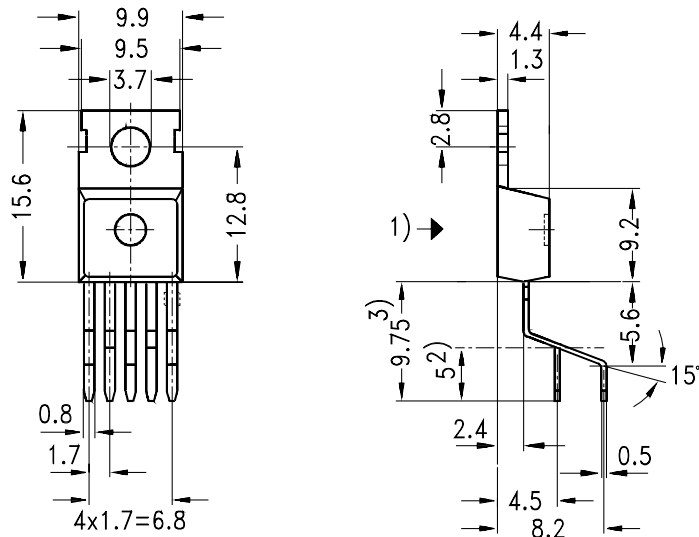
High Voltage Behavior



Package Outlines

P-TO220-5-3

(Plastic Transistor Single Outline)



- 1) shear and punch direction no burrs this surface
- 2) min. length by finning
- 3) max. 11 mm allowable by finning

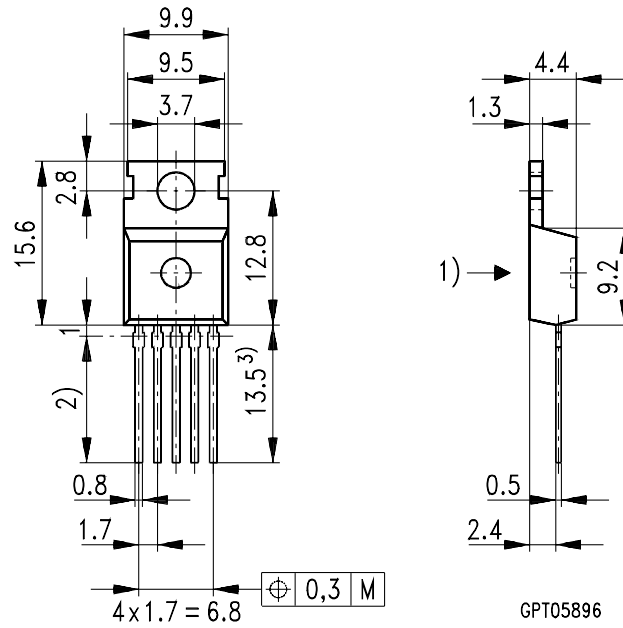
Sorts of Packing

Package outlines for tubes, trays etc. are contained in our Data Book "Package Information"

Dimensions in mm

P-TO220-5-43

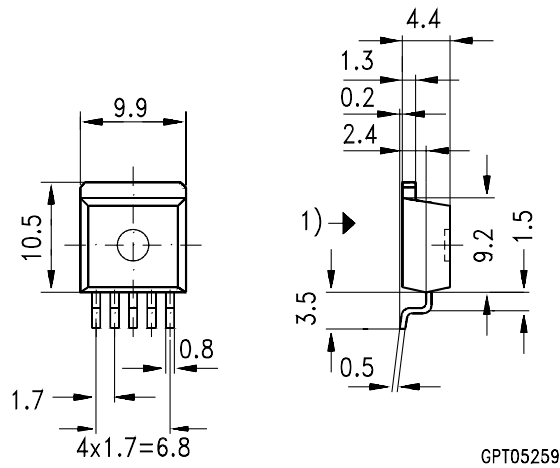
(Plastic Transistor Single Outline)



- 1) Punch direction, burr max. 0.04
- 2) Dip fining
- 3) Max. 14.5 by dip fining press burr
max. 0.05 radii not dimensioned max. 0.2

P-TO220-5-122

(Plastic Transistor Single Outline)



GPT05259

1) shear and punch direction no burrs this surface

Sorts of Packing

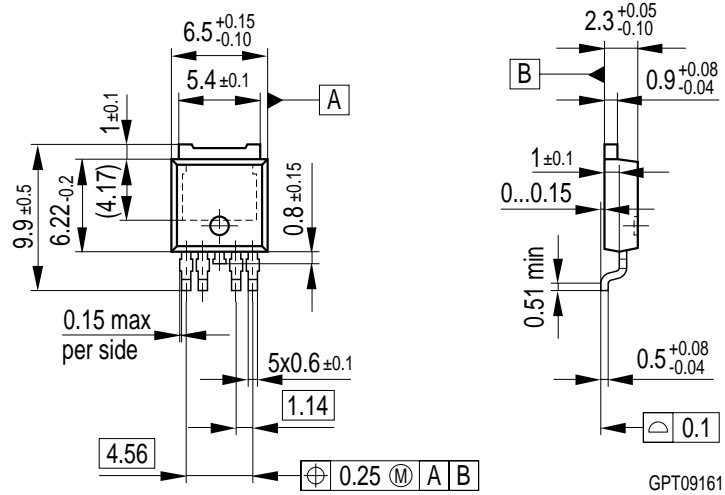
Package outlines for tubes, trays etc. are contained in our Data Book "Package Information".

SMD = Surface Mounted Device

Dimensions in mm

P-TO252-5-1

(Plastic Transistor Single Outline)



All metal surfaces tin plated, except area of cut.

Sorts of Packing

Package outlines for tubes, trays etc. are contained in our Data Book "Package Information".

SMD = Surface Mounted Device

Dimensions in mm