

## 4 BIT SINGLE-CHIP MICROCOMPUTER

The  $\mu$ PD75P068 is produced by replacing the internal mask ROM of the  $\mu$ PD75068 with a one-time PROM in which data can be written once.

**The following user's manual describes the details of the functions of the  $\mu$ PD75P068. Be sure to read it before designing an application system.**

**$\mu$ PD75068 User's Manual: IEU-1366**

## FEATURES

- Compatible with the  $\mu$ PD75068
  - Can be replaced with the  $\mu$ PD75068 containing mask ROM on a full-production basis.
- Internal one-time PROM: 8064 words  $\times$  8 bits
- Internal RAM: 512 words  $\times$  4 bits
- Internal pull-up resistors can be specified with software: Ports 0 to 3 and 6
- N-ch open-drain input-output: Ports 4 and 5
- Can operate at low voltage:  $V_{DD} = 2.7$  to 6.0 V

## ORDERING INFORMATION

| Part number          | Package                             | Quality grade |
|----------------------|-------------------------------------|---------------|
| $\mu$ PD75P068CU     | 42-pin plastic shrink DIP (600 mil) | Standard      |
| $\mu$ PD75P068GB-3B4 | 44-pin plastic QFP (Square 10 mm)   | Standard      |

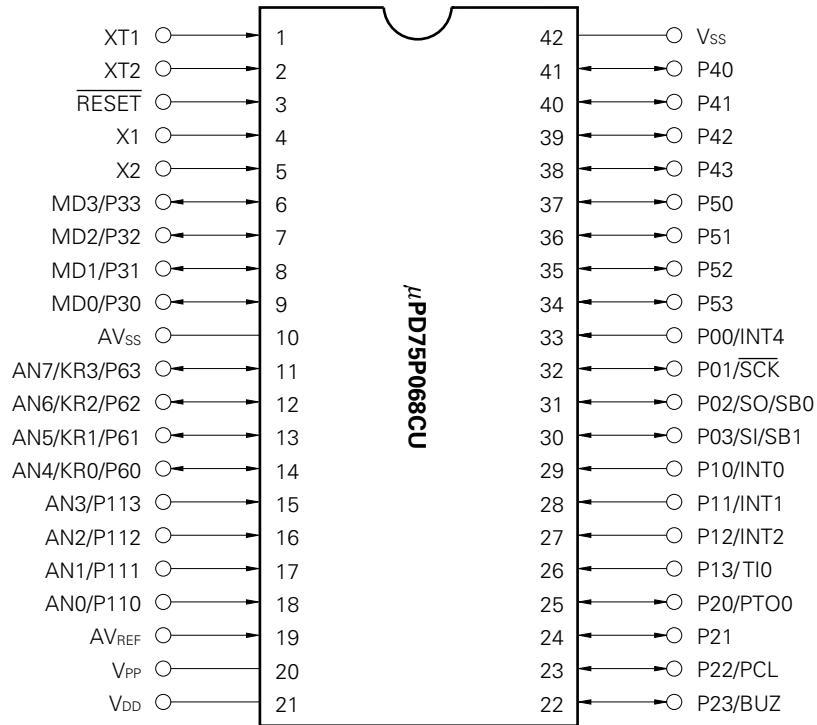
**Caution** The  $\mu$ PD75P068 is not provided with mask-selected pull-up resistors.

Please refer to "Quality Grades on NEC Semiconductor Devices" (Document number IEI-1209) published by NEC Corporation to know the specification of quality grade on the devices and its recommended applications.

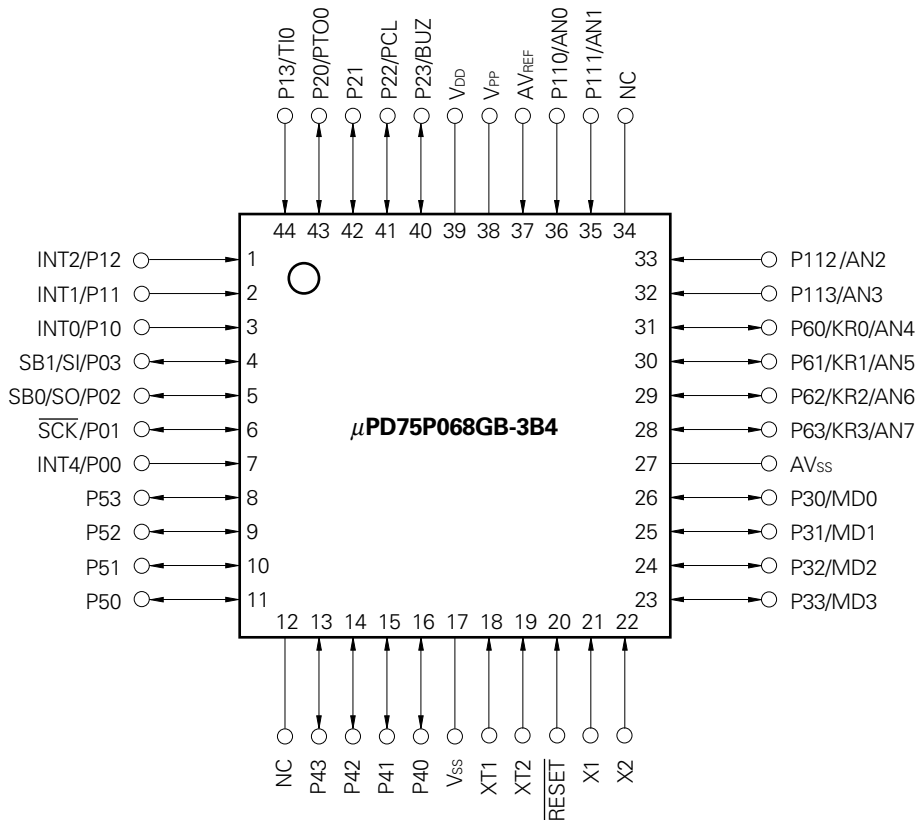
The information in this document is subject to change without notice.

**PIN CONFIGURATION (TOP VIEW)**

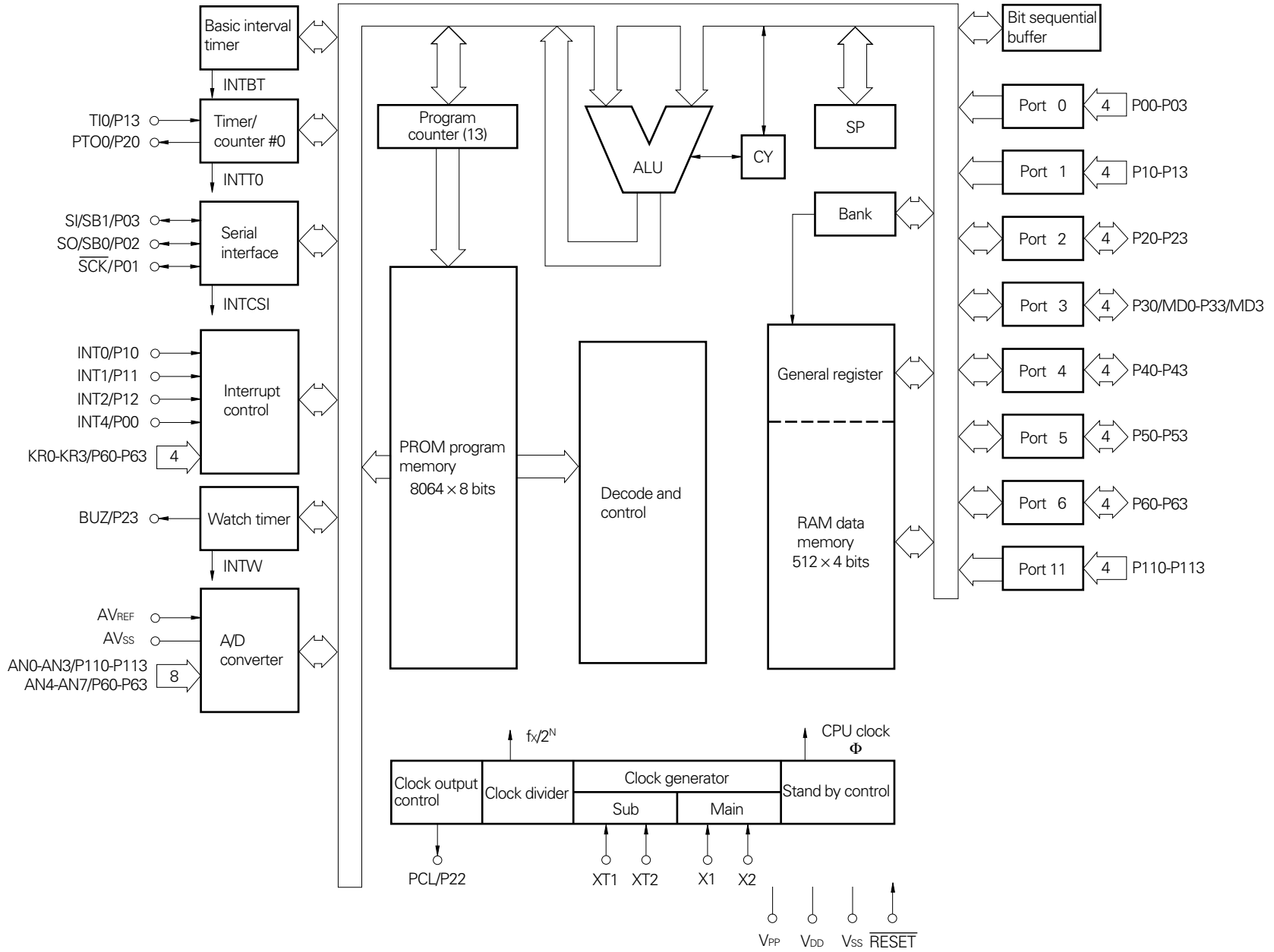
- 42-pin plastic shrink DIP



- 44-pin plastic QFP



BLOCK DIAGRAM



**CONTENTS**

|   |           |
|---|-----------|
| <b>1. PIN FUNCTIONS .....</b>   | <b>5</b>  |
| <b>1.1 PORT PINS .....</b>  | <b>5</b>  |
| <b>1.2 NON-PORT PINS .....</b>  | <b>6</b>  |
| <b>1.3 PIN INPUT/OUTPUT CIRCUITS .....</b>  | <b>7</b>  |
| <b>2. DIFFERENCE BETWEEN THE μPD75P068 AND μPD75068 .....</b>                     | <b>9</b>  |
| <b>3. WRITING TO AND VERIFYING PROM (PROGRAM MEMORY) .....</b>                    | <b>10</b> |
| <b>3.1 OPERATING MODES WHEN WRITING TO AND VERIFYING THE PROGRAM MEMORY .....</b> | <b>10</b> |
| <b>3.2 WRITING TO THE PROGRAM MEMORY .....</b>                                    | <b>11</b> |
| <b>3.3 READING THE PROGRAM MEMORY .....</b>                                       | <b>12</b> |
| ★ <b>4. SCREENING ONE-TIME PROM PRODUCTS .....</b>                                | <b>13</b> |
| <b>5. ELECTRICAL CHARACTERISTICS .....</b>  | <b>14</b> |
| ★ <b>6. CHARACTERISTIC CURVES (FOR REFERENCE) .....</b>                           | <b>27</b> |
| <b>7. PACKAGE DRAWINGS .....</b>  | <b>33</b> |
| ★ <b>8. RECOMMENDED SOLDERING CONDITIONS .....</b>                                | <b>35</b> |
| <b>APPENDIX A DEVELOPMENT TOOLS .....</b>   | <b>36</b> |
| <b>APPENDIX B RELATED DOCUMENTS .....</b>   | <b>37</b> |

1. PIN FUNCTIONS

1.1 PORT PINS

| Pin                       | Input/output | Shared pin | Function   | 8 bit I/O | When reset     | I/O circuit type <sup>Note 1</sup> |
|---------------------------|--------------|------------|--|-----------|----------------|------------------------------------|
| P00                       | Input        | INT4       | 4-bit input port (PORT0).<br>For P01-P03, pull-up resistors can be provided by software in units of 3 bits.  | ×         | Input          | (B)                                |
| P01                       | I/O          | SCK        |  |           |                | (F)-A                              |
| P02                       | I/O          | SO/SB0     |  |           |                | (F)-B                              |
| P03                       | I/O          | SI/SB1     |  |           |                | (M)-C                              |
| P10                       | Input        | INT0       | 4-bit input port (PORT1).<br>Pull-up resistors can be provided by software in units of 4 bits.   | ×         | Input          | (B)-C                              |
| P11                       |              | INT1       |  |           |                |                                    |
| P12                       |              | INT2       |  |           |                |                                    |
| P13                       |              | TI0        |  |           |                |                                    |
| P20                       | I/O          | PTO0       | 4-bit I/O port (PORT2).<br>Pull-up resistors can be provided by software in units of 4 bits.   | ×         | Input          | E-B                                |
| P21                       |              | —          |  |           |                |                                    |
| P22                       |              | PCL        |  |           |                |                                    |
| P23                       |              | BUZ        |  |           |                |                                    |
| P30 <sup>Note 2</sup>     | I/O          | MD0        | Programmable 4-bit I/O port (PORT3).<br>I/O can be specified bit by bit.<br>Pull-up resistors can be provided by software in units of 4 bits.                    | ×         | Input          | E-B                                |
| P31 <sup>Note 2</sup>     |              | MD1        |  |           |                |                                    |
| P32 <sup>Note 2</sup>     |              | MD2        |  |           |                |                                    |
| P33 <sup>Note 2</sup>     |              | MD3        |  |           |                |                                    |
| P40-P43 <sup>Note 2</sup> | I/O          | —          | N-ch open-drain 4-bit I/O port (PORT4).<br>Withstand voltage of 10 V<br>Data input-output (low-order 4 bits) when writing to and verifying program memory (PROM) | ○         | High Impedance | M-A                                |
| P50-P53 <sup>Note 2</sup> | I/O          | —          |  |           |                |                                    |
| P60                       | I/O          | KR0/AN4    | Programmable 4-bit I/O port (PORT6).<br>Pull-up resistors can be provided by software in units of 4 bits.  | ×         | Input          | (Y)-D                              |
| P61                       |              | KR1/AN5    |  |           |                |                                    |
| P62                       |              | KR2/AN6    |  |           |                |                                    |
| P63                       |              | KR3/AN7    |  |           |                |                                    |
| P110                      | Input        | AN0        | 4-bit input port (PORT11)  | ×         | Input          | Y-A                                |
| P111                      |              | AN1        |  |           |                |                                    |
| P112                      |              | AN2        |  |           |                |                                    |
| P113                      |              | AN3        |  |           |                |                                    |

Notes 1. The circle (○) indicates the Schmitt trigger input.

2. Can directly drive the LED.

1.2 NON-PORT PINS

| Pin                               | Input/output | Shared pin          | Function   | When reset | I/O circuit type <sup>Note 1</sup> |                         |   |       |
|-----------------------------------|--------------|---------------------|--|------------|------------------------------------|-------------------------|---|-------|
| TI0                               | Input        | P13                 | Input for receiving external event pulse signal for timer/event counter  | Input      | (B)-C                              |                         |   |       |
| PTO0                              | I/O          | P20                 | Timer/event counter output   | Input      | E-B                                |                         |   |       |
| PCL                               | I/O          | P22                 | Clock output   | Input      | E-B                                |                         |   |       |
| BUZ                               | I/O          | P23                 | Output for arbitrary frequency output (for buzzer output or system clock trimming)   | Input      | E-B                                |                         |   |       |
| SCK                               | I/O          | P01                 | Serial clock I/O   | Input      | (F)-A                              |                         |   |       |
| SO/SB0                            | I/O          | P02                 | Serial data output<br>Serial bus I/O   | Input      | (F)-B                              |                         |   |       |
| SI/SB1                            | I/O          | P03                 | Serial data input<br>Serial bus I/O  | Input      | (M)-C                              |                         |   |       |
| INT4                              | Input        | P00                 | Edge detection vectored interrupt input (either rising edge or falling edge detection)   | Input      | (B)                                |                         |   |       |
| INT0                              | Input        | P10                 | Edge detection vectored interrupt input (detection edge selectable)  | Input      | (B)-C                              |                         |   |       |
| INT1                              |              | P11                 |  |            |                                    |                         |   |       |
| INT2                              | Input        | P12                 | Edge detection testable input (rising edge detection)  | Input      | (B)-C                              |                         |   |       |
| KR0-KR3                           | I/O          | P60-P63/<br>AN4-AN7 | Parallel falling edge detection testable input<br><br>For A/D converter only   | Input      | (Y)-D                              |                         |   |       |
| AN0-AN3                           | Input        | P110-P113           |  |            |                                    | 8-bit analog input      | — | Y-A   |
| AN4-AN7                           | I/O          | P60-P63/<br>KR0-KR3 |  |            |                                    | Reference voltage input | — | (Y)-D |
| AV <sub>REF</sub>                 | Input        | —                   |  |            |                                    | GND potential           | — | Z     |
| AV <sub>SS</sub>                  | —            | —                   |  |            |                                    |                         | — | Z     |
| X1, X2                            | Input        | —                   | Crystal/ceramic connection for main system clock generation. When external clock signal is used, it is applied to X1, and its reverse phase signal is applied to X2.   | —          | —                                  |                         |   |       |
| XT1, XT2                          | Input        | —                   | Crystal connection for subsystem clock generation. When external clock signal is used, it is applied to XT1, and its reverse phase signal is applied to XT2. XT1 can be used as a 1-bit input (test).                              | —          | —                                  |                         |   |       |
| RESET                             | Input        | —                   | System reset input   | —          | (B)                                |                         |   |       |
| MD0-MD3                           | I/O          | P30-P33             | Mode selection when writing to or verifying program memory (PROM)  | Input      | E-B                                |                         |   |       |
| V <sub>PP</sub> <sup>Note 2</sup> | —            | —                   | Programming voltage application when writing to or verifying program memory (PROM)<br>Directly connected to V <sub>DD</sub> during normal operation. +12.5 V is applied when data is written in PROM or when the PROM is verified. | —          | —                                  |                         |   |       |
| V <sub>DD</sub>                   | —            | —                   | Main power supply  | —          | —                                  |                         |   |       |
| V <sub>SS</sub>                   | —            | —                   | GND potential  | —          | —                                  |                         |   |       |

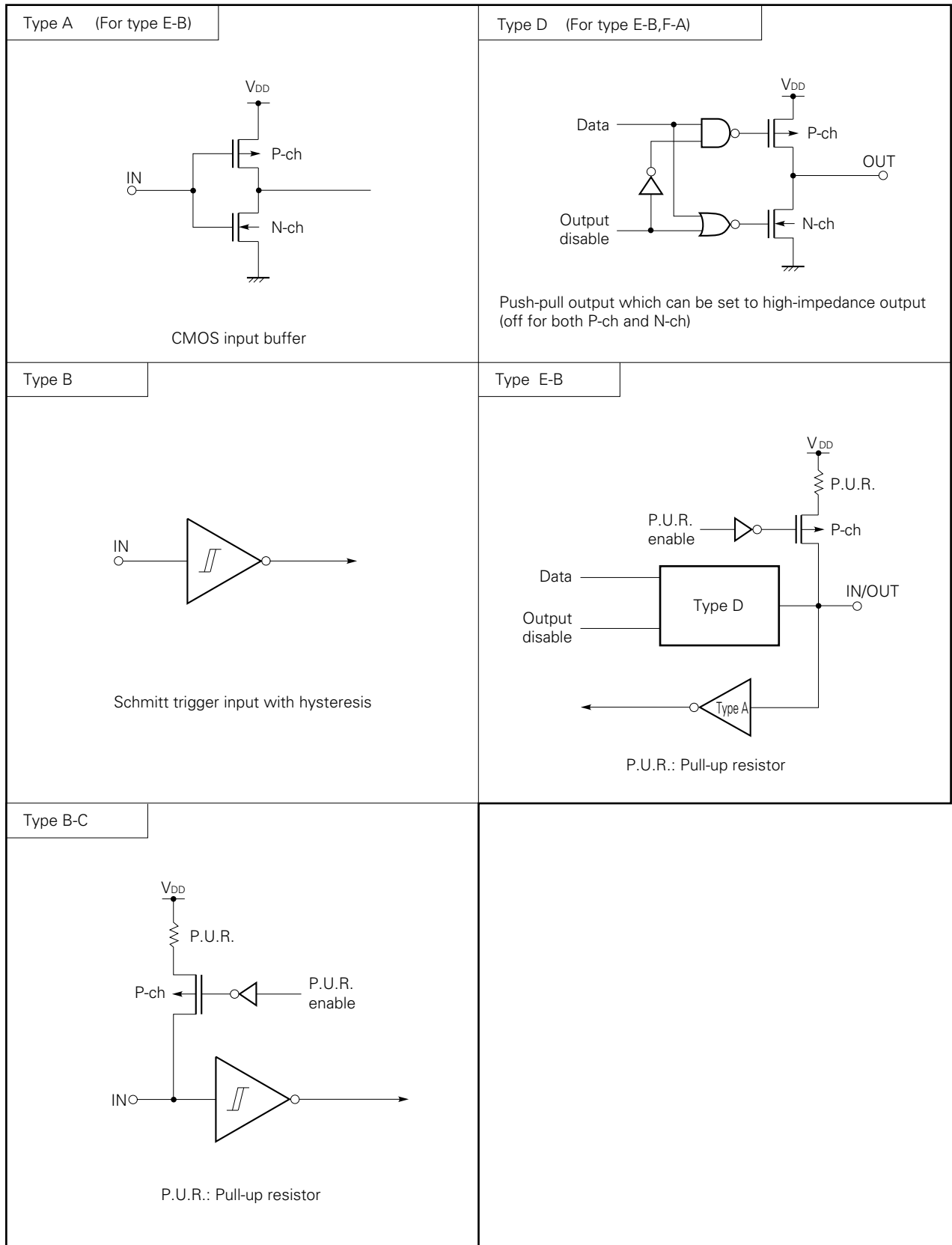
**Notes 1.** The circle (○) indicates the Schmitt trigger input.

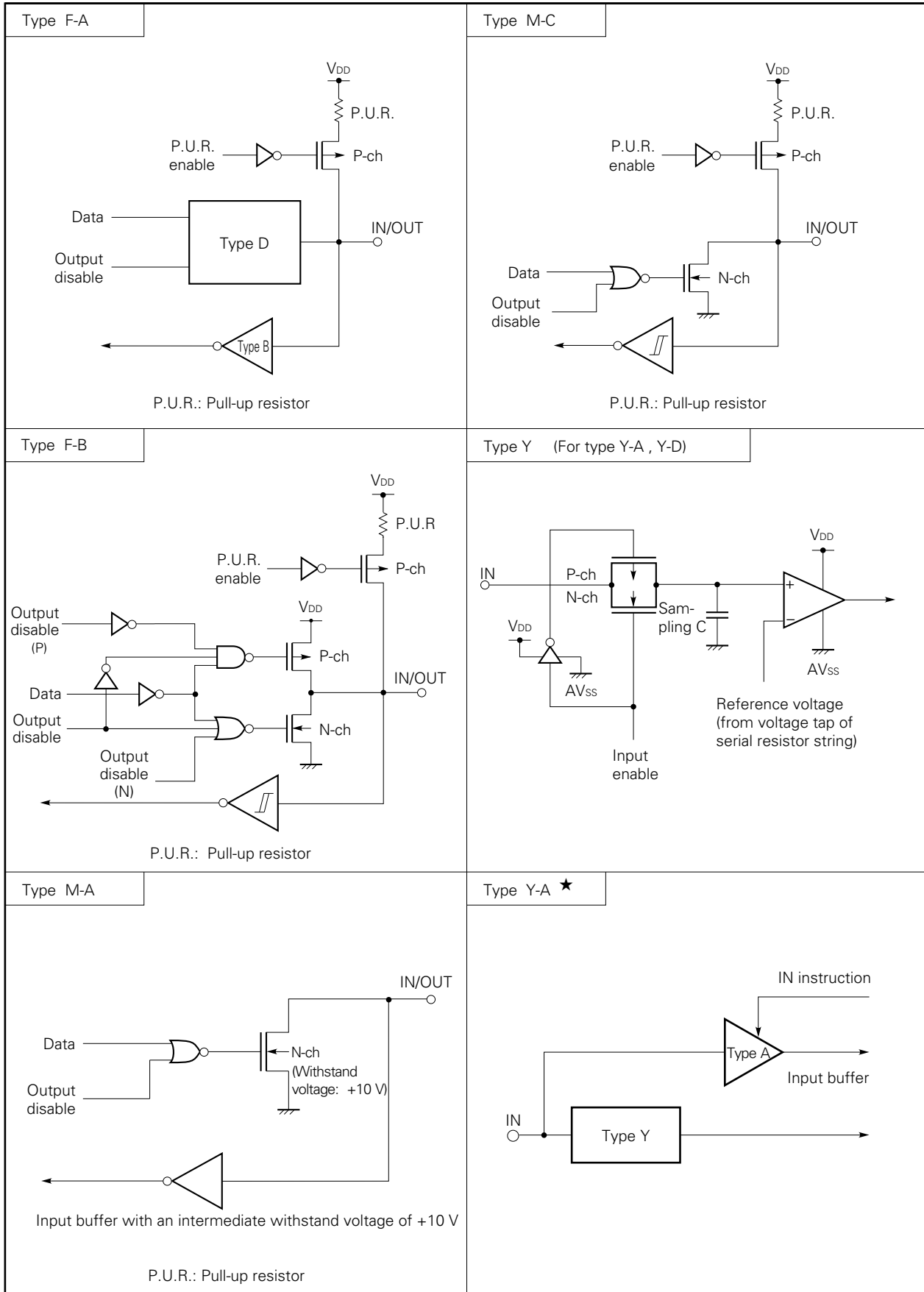
**2.** Unless the V<sub>PP</sub> pin is directly connected to the V<sub>DD</sub> pin during normal operation, the μPD75P068 does not operate normally.

1.3 PIN INPUT/OUTPUT CIRCUITS

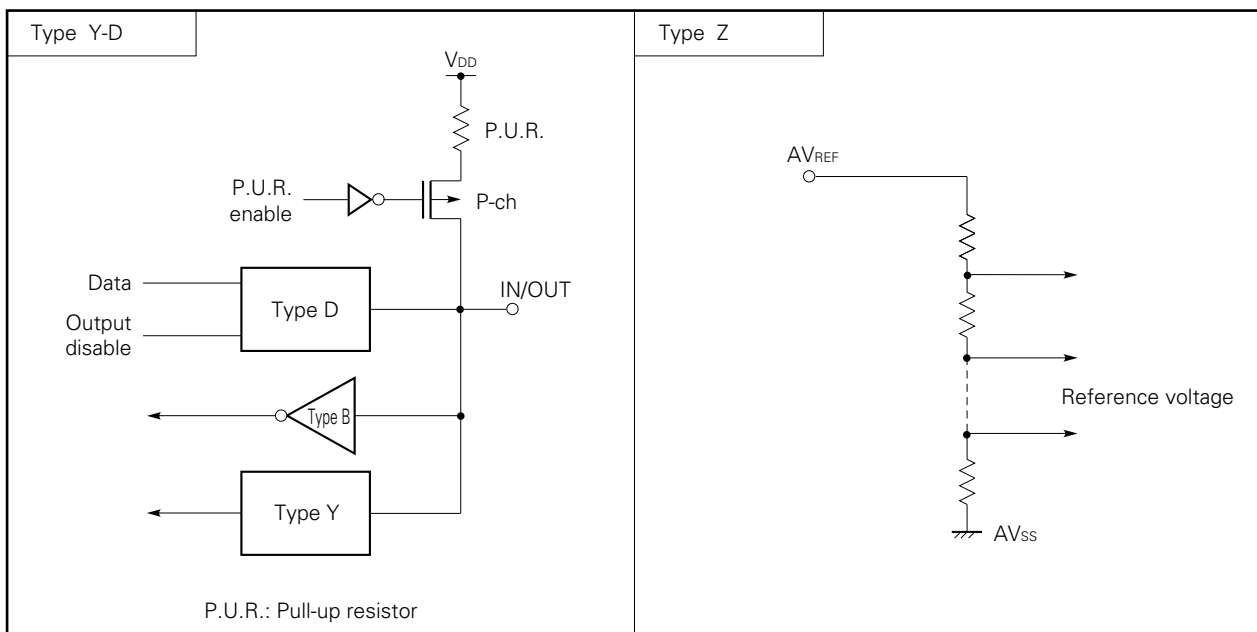
The input/output circuit of each μPD75P068 pin is shown below in a simplified manner.

(1/3)









**2. DIFFERENCE BETWEEN THE μPD75P068 AND μPD75068**

The μPD75P068 is produced by replacing the internal mask ROM (program memory) of the μPD75068 with a one-time PROM in which data can be written once. Both have the same CPU function and internal hardware. Table 2-1 shows the difference between the μPD75P068 and μPD75068.

For details of the CPU function and internal hardware, refer to the individual references for the μPD75068.

**Table 2-1 Difference between the μPD75P068 and μPD75068**

| Item                           |   | μPD75P068<br>(One-time PROM product)   | μPD75P068<br>(Mask ROM product) |
|--------------------------------|---|--|---------------------------------|
| Program memory                 |   | <ul style="list-style-type: none"> <li>• 0000H to 1F7FH</li> <li>• 8064 words × 8 bits</li> </ul>      |                                 |
| Pull-up resistor               | Ports 0 to 3 and 6                          | Can be specified with software.  |                                 |
|                                | Ports 4 and 5                               | None   | Mask option                     |
| XT1 feedback resistor          |   | Contained  | Mask option                     |
| Operating supply voltage range |   | 2.7 to 6.0 V   |                                 |
| Pin function                   | Pins 6 to 9 of SDIP<br>Pins 23 to 26 of QFP | P30/MD0 to P33/MD3   | P30 to P33                      |
|                                | Pin 20 of SDIP<br>Pin 38 of QFP             | V <sub>PP</sub>  | IC                              |
| Electrical characteristics     |   | They differ in consumption current. For details, refer to the corresponding items in each data sheet.  |                                 |
| Others                         |   | Since they differ in circuit scale and mask layout, they differ in noise immunity and noise radiation. |                                 |

**Caution** The PROM and mask ROM products differ in noise immunity and noise radiation. Use not ES products but CS products (mask ROM products) to evaluate them thoroughly when considering the change from the PROM products to the mask ROM products during processes from preproduction to volume production.

### 3. WRITING TO AND VERIFYING PROM (PROGRAM MEMORY)

The program memory in the μPD75P068 is a one-time PROM which consists of 8064 words × 8 bits. Writing to and verifying the contents of the one-time PROM is accomplished using the pins shown in the table below. Note that address inputs are not used; instead, the address is updated using the clock input from the X1 pin.

| Pin name  | Function   |
|---|--|
| V <sub>PP</sub>   | Voltage is applied to this pin when writing to the program memory or verifying its contents (normally V <sub>DD</sub> electric potential).   |
| X1, X2  | Address update clock inputs used when writing to the program memory or verifying its contents. The X2 pin is used to input the inverted signal of the X1 pin input.                |
| MD0 to MD3 (P30 to P33)   | Operation mode selection pins used when writing to the program memory or verifying its contents.   |
| P40 to P43 (low-order four bits)<br>P50 to P53 (high-order four bits) | I/O pins for 8-bit data used when writing to the program memory or verifying its contents.   |
| V <sub>DD</sub>   | Power voltage is applied to this pin. During normal operation, 2.7 to 6.0 V should be applied; 6 V should be applied when writing to the program memory or verifying its contents. |

**Caution** Since the μPD75P068CU/GB does not have an erasure window, the contents of the memory can not be erased with ultraviolet radiation.

#### 3.1 OPERATING MODES WHEN WRITING TO AND VERIFYING THE PROGRAM MEMORY

If +6 V is applied to the V<sub>DD</sub> pin and +12.5 V is applied to the V<sub>PP</sub> pin, the μPD75P068 enters program memory write/verify mode. The specific operating mode is then selected by setting the MD0 through MD3 pins as listed below. The remaining pins are all connected to V<sub>SS</sub> via pull-down resistors.

| Operating mode specification |                 |     |     |     |     | Operating mode                    |
|------------------------------|-----------------|-----|-----|-----|-----|-----------------------------------|
| V <sub>PP</sub>              | V <sub>DD</sub> | MD0 | MD1 | MD2 | MD3 |                                   |
| +12.5 V                      | +6 V            | H   | L   | H   | L   | Program memory address clear mode |
|                              |                 | L   | H   | H   | H   | Write mode                        |
|                              |                 | L   | L   | H   | H   | Verify mode                       |
|                              |                 | H   | ×   | H   | H   | Program inhibit mode              |

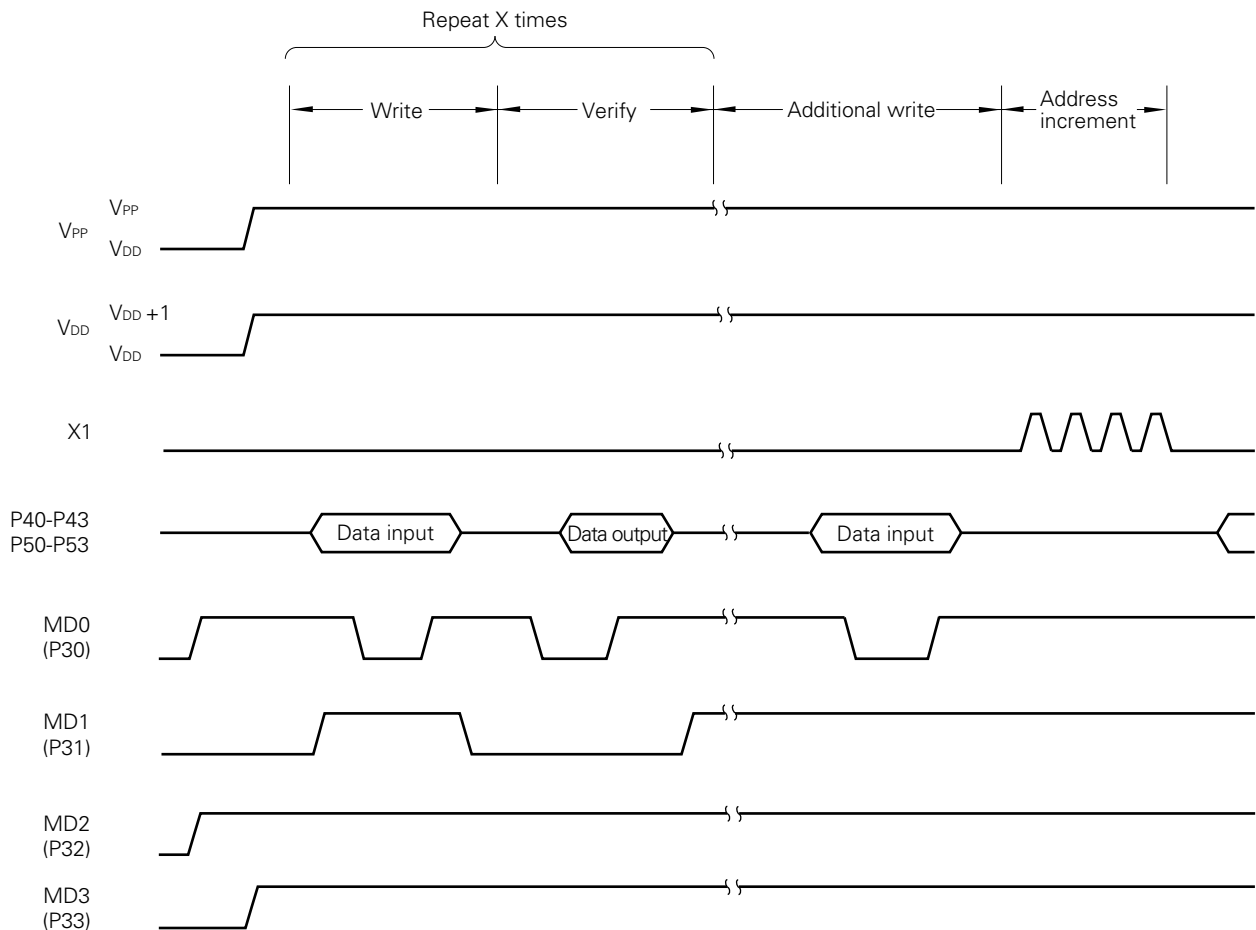
× indicates L or H.

### 3.2 WRITING TO THE PROGRAM MEMORY

The procedure for writing to program memory is described below; high-speed write is possible.

- (1) Connect all unused pins to V<sub>SS</sub> through resistors. Apply a low-level signal to the X1 pin.
- (2) Apply 5 V to V<sub>DD</sub> and V<sub>PP</sub> pins.
- (3) Wait 10 μs.
- (4) Select program memory address clear mode.
- (5) Apply +6 V to V<sub>DD</sub> and +12.5 V to V<sub>PP</sub>.
- (6) Select program inhibit mode.
- (7) Select write mode for 1 ms duration and write data.
- (8) Select program inhibit mode.
- (9) Select verify mode. If write is successful, proceed to step (10). If write fails, repeat steps (7) to (9).
- (10) Perform additional write for (Number (X) of repetitions of steps (7) to (9)) × 1 ms duration.
- (11) Select program inhibit mode.
- (12) Increment the program memory address by inputting four pulses on the X1 pin.
- (13) Repeat steps (7) to (12) until the last address is reached.
- (14) Select program memory address clear mode.
- (15) Apply 5 V to V<sub>DD</sub> and V<sub>PP</sub> pins.
- (16) Turn the power off.

The timing for steps (2) to (12) is shown below.

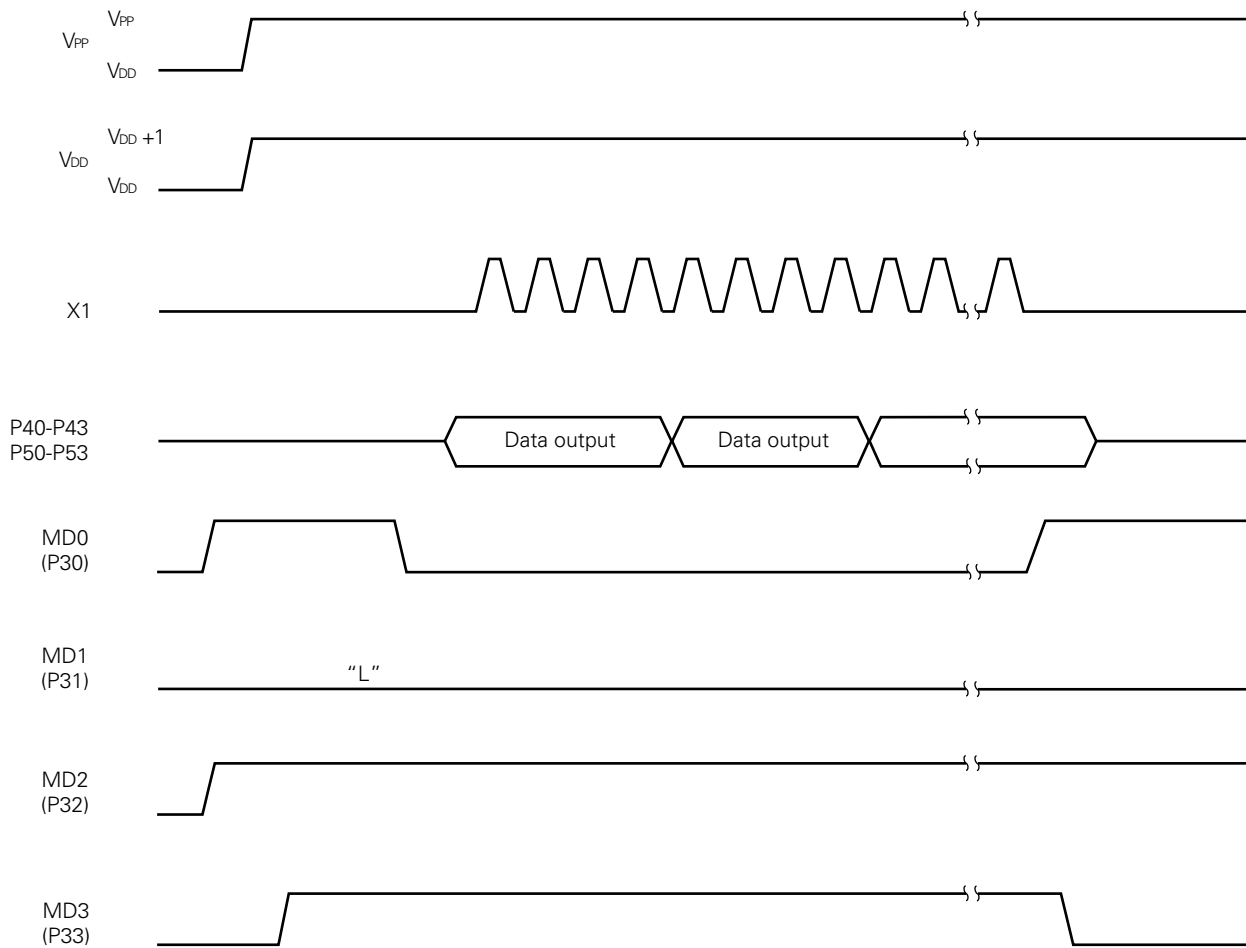


### 3.3 READING THE PROGRAM MEMORY

The procedure for reading the contents of program memory is described below. The read is performed in the verify mode.

- (1) Connect all unused pins to V<sub>SS</sub> through resistors. Apply a low-level signal to the X1 pin.
- (2) Apply 5 V to V<sub>DD</sub> and V<sub>PP</sub> pins.
- (3) Wait 10 μs.
- (4) Select program memory address clear mode.
- (5) Apply +6 V to V<sub>DD</sub> and +12.5 V to V<sub>PP</sub>.
- (6) Select program inhibit mode.
- (7) Select verify mode. Data is output sequentially one address at a time for each cycle of four clock pulses appearing on the X1 pin.
- (8) Select program inhibit mode.
- (9) Select program memory address clear mode.
- (10) Apply 5 V to V<sub>DD</sub> and V<sub>PP</sub> pins.
- (11) Turn the power off.

The timing for steps (2) to (9) is shown below.



#### 4. SCREENING ONE-TIME PROM PRODUCTS



NEC cannot execute a complete test of one-time PROM products ( $\mu$ PD75P068CU and  $\mu$ PD75P068GB-3B4) due to their structure before shipment. It is recommended that you screen (verify) PROM products after writing necessary data into them and storing them at 125 °C for 24 hours.

NEC offers a charged service called QTOP microcomputer service. This service includes writing to one-time PROM, marking, screening, and verification.

Ask your sales representative for details.

5. ELECTRICAL CHARACTERISTICS

ABSOLUTE MAXIMUM RATINGS (T<sub>a</sub> = 25 °C)

| Parameter                 | Symbol                          | Conditions                                |                 | Rated value                   | Unit |
|---------------------------|---------------------------------|---|-----------------|-------------------------------|------|
| Supply voltage            | V <sub>DD</sub>                 |   |                 | -0.3 to +7.0                  | V    |
| Supply voltage            | V <sub>PP</sub>                 |   |                 | -0.3 to +13.5                 | V    |
| Input voltage             | V <sub>I1</sub>                 | Ports other than ports 4 and 5            |                 | -0.3 to V <sub>DD</sub> + 0.3 | V    |
|                           | V <sub>I2</sub>                 | Ports 4 and 5                             | N-ch open drain | -0.3 to +11                   | V    |
| Output voltage            | V <sub>O</sub>                  |   |                 | -0.3 to V <sub>DD</sub> + 0.3 | V    |
| High-level output current | I <sub>OH</sub>                 | 1 pin                                     |                 | -10                           | mA   |
|                           |                                 | All pins                                  |                 | -30                           | mA   |
| Low-level output current  | I <sub>OL</sub> <sup>Note</sup> | 1 pin of ports 0, 3, 4, and 5             | Peak value      | 30                            | mA   |
|                           |                                 |   | rms             | 15                            | mA   |
|                           |                                 | 1 pin of ports 2 and 6                    | Peak value      | 20                            | mA   |
|                           |                                 |   | rms             | 5                             | mA   |
|                           |                                 | Total of all pins of ports 0, 3, 4, and 5 | Peak value      | 160                           | mA   |
|                           |                                 |   | rms             | 120                           | mA   |
|                           |                                 | Total of all pins of ports 2, and 6       | Peak value      | 30                            | mA   |
|                           |                                 |   | rms             | 20                            | mA   |
| Operating temperature     | T <sub>opt</sub>                |   |                 | -40 to +85                    | °C   |
| Storage temperature       | T <sub>stg</sub>                |   |                 | -65 to +150                   | °C   |

**Note** Calculate rms with [rms] = [peak value] × √duty.

**Caution** Absolute maximum ratings are rated values beyond which some physical damages may be caused to the product; if any of the parameters in the table above exceeds its rated value even for a moment, the quality of the product may deteriorate. Be sure to use the product within the rated values.

CAPACITANCE (T<sub>a</sub> = 25 °C, V<sub>DD</sub> = 0 V)

| Parameter          | Symbol          | Conditions                                  | Min. | Typ. | Max. | Unit |
|--------------------|-----------------|---|------|------|------|------|
| Input capacitance  | C <sub>i</sub>  | f = 1 MHz                                   |      |      | 15   | pF   |
| Output capacitance | C <sub>o</sub>  | 0 V for pins other than pins to be measured |      |      | 15   | pF   |
| I/O capacitance    | C <sub>io</sub> |   |      |      | 15   | pF   |

**CHARACTERISTICS OF THE MAIN SYSTEM CLOCK OSCILLATOR** ( $T_a = -40$  to  $+85$  °C,  $V_{DD} = 2.7$  to  $6.0$  V)

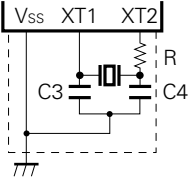
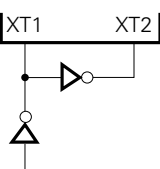
| Resonator         | Recommended constant | Parameter   | Conditions                | Min. | Typ. | Max.                  | Unit |
|-------------------|----------------------|---|---------------------------|------|------|-----------------------|------|
| Ceramic resonator |                      | Oscillator frequency ( $f_x$ ) <b>Note 1</b>          |                           | 1.0  |      | 5.0 <sup>Note 3</sup> | MHz  |
|                   |                      | Oscillation settling time <b>Note 2</b>               |                           |      |      | 4                     | ms   |
| Crystal           |                      | Oscillator frequency ( $f_x$ ) <b>Note 1</b>          |                           | 1.0  | 4.19 | 5.0 <sup>Note 3</sup> | MHz  |
|                   |                      | Oscillation settling time <b>Note 2</b>               | $V_{DD} = 4.5$ to $6.0$ V |      |      | 10                    | ms   |
|                   |                      |   |                           |      |      | 30                    | ms   |
| External clock    |                      | X1 input frequency ( $f_x$ ) <b>Note 1</b>            |                           | 1.0  |      | 5.0 <sup>Note 3</sup> | MHz  |
|                   |                      | X1 input high/low level width ( $t_{xH}$ , $t_{xL}$ ) |                           | 100  |      | 500                   | ns   |

- Notes**
- The oscillator frequency and input frequency indicate only the oscillator characteristics. See the item of AC characteristics for the instruction execution time.
  - The oscillation settling time means the time required for the oscillation to settle after  $V_{DD}$  is reaches the minimum voltage in the oscillation voltage range.
  - When  $4.19 \text{ MHz} < f_x \leq 5.0 \text{ MHz}$ , do not select PCC = 0011 as the instruction execution time. When PCC = 0011, one machine cycle falls short of  $0.95 \mu\text{s}$ , the minimum value for the standard.

**Caution** When the main system clock oscillator is used, conform to the following guidelines when wiring at the portions surrounded by dotted lines in the figures above to eliminate the influence of the wiring capacity.

- The wiring must be as short as possible.
- Other signal lines must not run in these areas.
- Any line carrying a high fluctuating current must be kept away as far as possible.
- The grounding point of the capacitor of the oscillator must have the same potential as that of  $V_{DD}$ . It must not be grounded to ground patterns carrying a large current.
- No signal must be taken from the oscillator.

**CHARACTERISTICS OF THE SUBSYSTEM CLOCK OSCILLATOR** ( $T_a = -40$  to  $+85$  °C,  $V_{DD} = 2.7$  to  $6.0$  V)

| Resonator      | Recommended constant  | Parameter  | Conditions                | Min. | Typ.   | Max. | Unit |
|----------------|---|--|---------------------------|------|--------|------|------|
| Crystal        |  | Oscillator frequency ( $f_{XT}$ ) <b>Note 1</b>          |                           | 32   | 32.768 | 35   | kHz  |
|                |   | Oscillation settling time <b>Note 2</b>                  | $V_{DD} = 4.5$ to $6.0$ V |      | 1.0    | 2    | s    |
| External clock |  | XT1 input frequency ( $f_{XT}$ ) <b>Note 1</b>           |                           | 32   |        | 100  | kHz  |
|                |   | XT1 input high/low level width ( $t_{XTH}$ , $t_{XTL}$ ) |                           | 5    |        | 15   | μs   |

- Notes 1.** The oscillator frequency and input frequency indicate only the oscillator characteristics. See the item of AC characteristics for the instruction execution time.
- 2.** The oscillation settling time means the time required for the oscillation to settle after  $V_{DD}$  reaches the minimum voltage in the oscillation voltage range.

**Caution** When the subsystem clock oscillator is used, conform to the following guidelines when wiring at the portions surrounded by dotted lines in the figures above to eliminate the influence of the wiring capacity.

- The wiring must be as short as possible.
- Other signal lines must not run in these areas.
- Any line carrying a high fluctuating current must be kept away as far as possible.
- The grounding point of the capacitor of the oscillator must have the same potential as that of  $V_{SS}$ . It must not be grounded to ground patterns carrying a large current.
- No signal must be taken from the oscillator.

When the subsystem clock is used, pay special attention to its wiring; the subsystem clock oscillator has low amplification to minimize current consumption and is more likely to malfunction due to noise than the main system clock oscillator.



RECOMMENDED CAPACITORS IN THE OSCILLATION CIRCUIT



Main system clock: Ceramic resonator ( $T_a = -20$  to  $+80^\circ\text{C}$ )

| Manufacturer | Part number | Frequency (MHz) | Recommended constant |           | Oscillation voltage range |          |
|--------------|-------------|-----------------|----------------------|-----------|---------------------------|----------|
|              |             |                 | C1 (pF)              | C2 (pF)   | Min. (V)                  | Max. (V) |
| Kyocera      | KBR-1000F/Y | 1.00            | 150                  | 150       | 2.7                       | 6.0      |
|              | KBR-2.0MS   | 2.00            | 47                   | 47        |                           |          |
|              | PBRC 2.00A  |                 |                      |           |                           |          |
|              | KBR-3.0MS   | 3.58            | 33                   | 33        |                           |          |
|              | KBR-3.58MSA |                 |                      |           |                           |          |
|              | PBRC 3.58A  |                 |                      |           |                           |          |
|              | KBR-3.58MKS |                 |                      |           |                           |          |
|              | KBR-3.58MWS | Contained       | Contained            |           |                           |          |
|              | KBR-4.00MSA | 4.00            | 33                   | 33        |                           |          |
|              | PBRC 4.00A  |                 |                      |           |                           |          |
|              | KBR-4.00MKS |                 |                      |           |                           |          |
|              | KBR-4.00MWS |                 |                      |           |                           |          |
|              | KBR-4.00MWS | Contained       | Contained            |           |                           |          |
|              | KBR-5.0MSA  | 5.00            | 33                   | 33        |                           |          |
|              | PBRC 5.00A  |                 |                      |           |                           |          |
| KBR-5.0MKS   |             |                 |                      |           |                           |          |
| KBR-5.0MWS   |             |                 |                      |           |                           |          |
| KBR-5.0MWS   | Contained   | Contained       |                      |           |                           |          |
| Toko         | CRHF2.50    | 2.50            | 30                   | 30        | 2.7                       | 6.0      |
|              | CRHF4.19    | 4.19            |                      |           |                           |          |
|              | CRHT4.19    |                 | Contained            | Contained |                           |          |
|              | CRHF5.00    | 5.00            | 30                   | 30        |                           |          |

Main system clock: Crystal ( $T_a = -40$  to  $+85^\circ\text{C}$ )

| Manufacturer | Part number | Frequency (MHz) | Recommended constant |         | Oscillation voltage range |          |
|--------------|-------------|-----------------|----------------------|---------|---------------------------|----------|
|              |             |                 | C1 (pF)              | C2 (pF) | Min. (V)                  | Max. (V) |
| Kinseki      | HC-49/U     | 2.00            | 22                   | 22      | 3.5                       | 6.0      |
|              |             | 4.19            |                      |         |                           |          |
|              |             | 6.00            |                      |         |                           |          |

Subsystem clock: Crystal ( $T_a = -15$  to  $+60^\circ\text{C}$ )

| Manufacturer | Part number | Frequency (kHz) | Recommended constant |         |        | Oscillation voltage range |          |
|--------------|-------------|-----------------|----------------------|---------|--------|---------------------------|----------|
|              |             |                 | C3 (pF)              | C4 (pF) | R (kΩ) | Min. (V)                  | Max. (V) |
| Kyocera      | KF-38G      | 32.768          | 15                   | 27      | 220    | 2.7                       | 6.0      |

DC CHARACTERISTICS (T<sub>a</sub> = -40 to +85 °C, V<sub>DD</sub> = 2.7 to 6.0 V)

| Parameter                              | Symbol            | Conditions  |   | Min.                          | Typ. | Max.               | Unit |
|--|-------------------|---|---|-------------------------------|------|--------------------|------|
| High-level input voltage               | V <sub>IH1</sub>  | Ports 2, 3, and 11  |   | 0.7V <sub>DD</sub>            |      | V <sub>DD</sub>    | V    |
|  | V <sub>IH2</sub>  | Ports 0, 1, and 6, and $\overline{\text{RESET}}$                |   | 0.8V <sub>DD</sub>            |      | V <sub>DD</sub>    | V    |
|  | V <sub>IH3</sub>  | Ports 4 and 5   |   | 0.7V <sub>DD</sub>            |      | 10                 | V    |
|  | V <sub>IH4</sub>  | X1, X2, XT1, and XT2  |   | V <sub>DD</sub> - 0.5         |      | V <sub>DD</sub>    | V    |
| Low-level input voltage                | V <sub>IL1</sub>  | Ports 2 to 5 and 11   |   | 0                             |      | 0.3V <sub>DD</sub> | V    |
|  | V <sub>IL2</sub>  | Ports 0, 1, and 6, and $\overline{\text{RESET}}$                |   | 0                             |      | 0.2V <sub>DD</sub> | V    |
|  | V <sub>IL3</sub>  | X1, X2, XT1, and XT2  |   | 0                             |      | 0.4                | V    |
| High-level output voltage              | V <sub>OH</sub>   | V <sub>DD</sub> = 4.5 to 6.0 V, I <sub>OH</sub> = -1 mA         |   | V <sub>DD</sub> - 1.0         |      |                    | V    |
|  |                   | I <sub>OH</sub> = -100 μA                                       |   | V <sub>DD</sub> - 0.5         |      |                    | V    |
| Low-level output voltage               | V <sub>OL</sub>   | Ports 4 and 5   | V <sub>DD</sub> = 4.5 to 6.0 V, I <sub>OL</sub> = 15 mA |                               | 0.7  | 2.0                | V    |
|  |                   | Port 3  | V <sub>DD</sub> = 4.5 to 6.0 V, I <sub>OL</sub> = 15 mA |                               | 0.8  | 2.0                | V    |
|  |                   | V <sub>DD</sub> = 4.5 to 6.0 V, I <sub>OL</sub> = 1.6 mA        |   |                               |      | 0.4                | V    |
|  |                   | I <sub>OL</sub> = 400 μA  |   |                               |      | 0.5                | V    |
|  |                   | SB0 and SB1   | Pull-up resistor: 1 kΩ or more                          |                               |      | 0.2V <sub>DD</sub> | V    |
| High-level input leakage current       | I <sub>LIH1</sub> | V <sub>i</sub> = V <sub>DD</sub>                                | Other than X1, X2, XT1, and XT2                         |                               |      | 3                  | μA   |
|  | I <sub>LIH2</sub> |   | X1, X2, XT1, and XT2                                    |                               |      | 20                 | μA   |
|  | I <sub>LIH3</sub> | V <sub>i</sub> = 10 V   | Ports 4 and 5   |                               |      | 20                 | μA   |
| Low-level input leakage current        | I <sub>LIL1</sub> | V <sub>i</sub> = 0 V  | Other than X1, X2, XT1, and XT2                         |                               |      | -3                 | μA   |
|  | I <sub>LIL2</sub> |   | X1, X2, XT1, and XT2                                    |                               |      | -20                | μA   |
| High-level output leakage current      | I <sub>LOH1</sub> | V <sub>O</sub> = V <sub>DD</sub>                                |   |                               |      | 3                  | μA   |
|  | I <sub>LOH2</sub> | V <sub>O</sub> = 10 V   | Ports 4 and 5   |                               |      | 20                 | μA   |
| Low-level out-put leakage current      | I <sub>LOL</sub>  | V <sub>O</sub> = 0 V  |   |                               |      | -3                 | μA   |
| Built-in pull-up resistor              | R <sub>U</sub>    | P01, P02, P03, and ports 1 to 3, and 6 V <sub>i</sub> = 0 V     | V <sub>DD</sub> = 5.0 V ±10 %                           | 15                            | 40   | 80                 | kΩ   |
|  |                   |   | V <sub>DD</sub> = 3.0 V ±10 %                           | 30                            |      | 300                | kΩ   |
| Power supply current <sup>Note 1</sup> | I <sub>DD1</sub>  | 4.19 MHz <sup>Note 2</sup> crystal resonance<br>C1 = C2 = 22 pF | V <sub>DD</sub> = 5.0 V ±10 % <sup>Note 3</sup>         |                               | 3.3  | 10                 | mA   |
|  |                   |   | V <sub>DD</sub> = 3.0 V ±10 % <sup>Note 4</sup>         |                               | 0.45 | 1.4                | mA   |
|  | I <sub>DD2</sub>  |   | HALT mode   | V <sub>DD</sub> = 5.0 V ±10 % | 600  | 1800               | μA   |
|  |                   |   |   | V <sub>DD</sub> = 3.0 V ±10 % | 220  | 700                | μA   |
|  | I <sub>DD3</sub>  | 32.768 kHz <sup>Note 5</sup> crystal resonance                  | V <sub>DD</sub> = 3.0 V ±10 %                           |                               | 35   | 120                | μA   |
|  | I <sub>DD4</sub>  |   | HALT mode   | V <sub>DD</sub> = 3.0 V ±10 % | 5    | 15                 | μA   |
|  | I <sub>DD5</sub>  | XT1 = 0 V   | V <sub>DD</sub> = 5.0 V ±10 %                           |                               | 0.5  | 20                 | μA   |
| V <sub>DD</sub> =                      |                   |   |   | 0.1                           | 10   | μA                 |      |
|  |                   | 3.0 V ±10 %   | T <sub>a</sub> = 25 °C                                  | 0.1                           | 5    | μA                 |      |

- Notes**
1. This current excludes the current which flows through the built-in pull-up resistors.
  2. This value applies also when the subsystem clock oscillates.
  3. Value when the processor clock control register (PCC) is set to 0011 and the μPD75036 is operated in the high-speed mode
  4. Value when the PCC is set to 0000 and the μPD75036 is operated in the low-speed mode
  5. This value applies when the system clock control register (SCC) is set to 1001 to stop the main system clock pulse and to start the subsystem clock pulse.

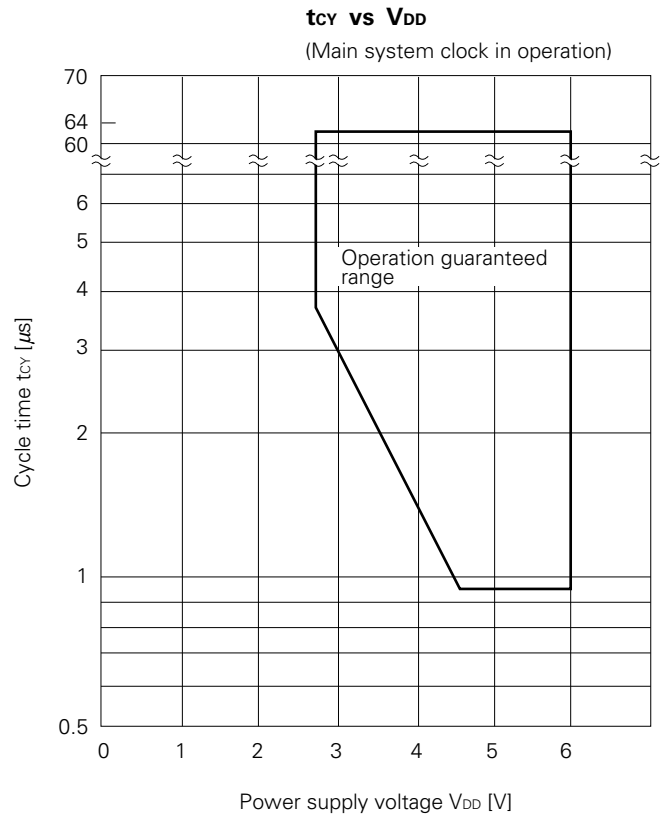
AC CHARACTERISTICS (T<sub>a</sub> = -40 to +85 °C, V<sub>DD</sub> = 2.0 to 6.0 V)

| Parameter   | Symbol                                   | Conditions                          | Min.                           | Typ. | Max. | Unit |    |
|---|--|-------------------------------------|--------------------------------|------|------|------|----|
| CPU clock cycle time (minimum instruction execution time = 1 machine cycle) <b>Note 1</b> | t <sub>cy</sub>                          | Operated by main system clock pulse | V <sub>DD</sub> = 4.5 to 6.0 V | 0.95 |      | 64   | μs |
|   |  |                                     |                                | 3.8  |      | 64   | μs |
|   |  | Operated by subsystem clock pulse   | 114                            | 122  | 125  | μs   |    |
| TIO input frequency   | f <sub>TI</sub>                          | V <sub>DD</sub> = 4.5 to 6.0 V      | 0                              |      | 1    | MHz  |    |
|   |  |                                     | 0                              |      | 275  | kHz  |    |
| TIO input high/low level width  | t <sub>TIH</sub> ,<br>t <sub>TIL</sub>   | V <sub>DD</sub> = 4.5 to 6.0 V      | 0.48                           |      |      | μs   |    |
|   |  |                                     | 1.8                            |      |      | μs   |    |
| Interrupt input high/low level width  | t <sub>INTH</sub> ,<br>t <sub>INTL</sub> | INT0                                | <b>Note 2</b>                  |      |      | μs   |    |
|   |  | INT1, INT2, and INT4                | 10                             |      |      | μs   |    |
|   |  | KR0 to KR3                          | 10                             |      |      | μs   |    |
| RESET low level width   | t <sub>RSL</sub>                         |                                     | 10                             |      |      | μs   |    |

**Notes 1.** The cycle time of the CPU clock (Φ) depends on the connected resonator frequency, the system clock control register (SCC), and the processor clock control register (PCC).

The figure on the right side shows the cycle time t<sub>cy</sub> characteristics for the supply voltage V<sub>DD</sub> during main system clock operation.

**2.** This value becomes 2t<sub>cy</sub> or 128/f<sub>x</sub> according to the setting of the interrupt mode register (IM0).



**SERIAL TRANSFER OPERATION**

**Two-wire and three-wire serial I/O modes ( $\overline{\text{SCK}}$  ... Internal clock output):**

| Parameter  | Symbol            | Conditions  |                                | Min.                       | Typ. | Max. | Unit |
|--|-------------------|---|--------------------------------|----------------------------|------|------|------|
| $\overline{\text{SCK}}$ cycle time                             | t <sub>KCY1</sub> | V <sub>DD</sub> = 4.5 to 6.0 V                                    |                                | 1600                       |      |      | ns   |
|  |                   |   |                                | 3800                       |      |      | ns   |
| $\overline{\text{SCK}}$ high/low level width                   | t <sub>KL1</sub>  | V <sub>DD</sub> = 4.5 to 6.0 V                                    |                                | t <sub>KCY1</sub> /2 - 50  |      |      | ns   |
|  | t <sub>KH1</sub>  |   |                                | t <sub>KCY1</sub> /2 - 150 |      |      | ns   |
| SI setup time (referred to $\overline{\text{SCK}}\uparrow$ )   | t <sub>SIK1</sub> |   |                                | 150                        |      |      | ns   |
| SI hold time (referred to $\overline{\text{SCK}}\uparrow$ )    | t <sub>KSI1</sub> |   |                                | 400                        |      |      | ns   |
| Delay time from $\overline{\text{SCK}}\downarrow$ to SO output | t <sub>KSO1</sub> | R <sub>L</sub> = 1 kΩ,<br>C <sub>L</sub> = 100 pF <sup>Note</sup> | V <sub>DD</sub> = 4.5 to 6.0 V | 0                          |      | 250  | ns   |
|  |                   |   |                                | 0                          |      | 1000 | ns   |

**Two-wire and three-wire serial I/O modes ( $\overline{\text{SCK}}$  ... External clock input):**

| Parameter  | Symbol            | Conditions  |                                | Min. | Typ. | Max. | Unit |
|--|-------------------|---|--------------------------------|------|------|------|------|
| $\overline{\text{SCK}}$ cycle time                             | t <sub>KCY2</sub> | V <sub>DD</sub> = 4.5 to 6.0 V                                    |                                | 800  |      |      | ns   |
|  |                   |   |                                | 3200 |      |      | ns   |
| $\overline{\text{SCK}}$ high/low level width                   | t <sub>KL2</sub>  | V <sub>DD</sub> = 4.5 to 6.0 V                                    |                                | 400  |      |      | ns   |
|  | t <sub>KH2</sub>  |   |                                | 1600 |      |      | ns   |
| SI setup time (referred to $\overline{\text{SCK}}\uparrow$ )   | t <sub>SIK2</sub> |   |                                | 100  |      |      | ns   |
| SI hold time (referred to $\overline{\text{SCK}}\uparrow$ )    | t <sub>KSI2</sub> |   |                                | 400  |      |      | ns   |
| Delay time from $\overline{\text{SCK}}\downarrow$ to SO output | t <sub>KSO2</sub> | R <sub>L</sub> = 1 kΩ,<br>C <sub>L</sub> = 100 pF <sup>Note</sup> | V <sub>DD</sub> = 4.5 to 6.0 V | 0    |      | 300  | ns   |
|  |                   |   |                                | 0    |      | 1000 | ns   |

**Note** R<sub>L</sub> and C<sub>L</sub> are the resistance and capacitance of the SO output line load respectively.

**SBI mode ( $\overline{\text{SCK}}$  ... Internal clock output (master)):**

| Parameter   | Symbol            | Conditions  | Min.                           | Typ. | Max. | Unit |
|---|-------------------|---|--------------------------------|------|------|------|
| SCK cycle time  | t <sub>KCY3</sub> | V <sub>DD</sub> = 4.5 to 6.0 V                                    | 1600                           |      |      | ns   |
|   |                   |   | 3800                           |      |      | ns   |
| $\overline{\text{SCK}}$ high/low level width              | t <sub>KL3</sub>  | V <sub>DD</sub> = 4.5 to 6.0 V                                    | t <sub>KCY3</sub> /2 - 50      |      |      | ns   |
|   | t <sub>KH3</sub>  |   | t <sub>KCY3</sub> /2 - 150     |      |      | ns   |
| SB0/SB1 setup time (referred to SCK↑)                     | t <sub>SIK3</sub> |   | 150                            |      |      | ns   |
| SB0/SB1 hold time (referred to $\overline{\text{SCK}}$ ↑) | t <sub>KSI3</sub> |   | t <sub>KCY3</sub> /2           |      |      | ns   |
| Delay time from SCK↓ to SB0/SB1 output                    | t <sub>KSO3</sub> | R <sub>L</sub> = 1 kΩ,<br>C <sub>L</sub> = 100 pF <sup>Note</sup> | V <sub>DD</sub> = 4.5 to 6.0 V | 0    | 250  | ns   |
|   |                   |   |                                | 0    | 1000 | ns   |
| From $\overline{\text{SCK}}$ ↑ to SB0/SB1↓                | t <sub>KSB</sub>  |   | t <sub>KCY3</sub>              |      |      | ns   |
| From SB0/SB1↓ to $\overline{\text{SCK}}$                  | t <sub>SBK</sub>  |   | t <sub>KCY3</sub>              |      |      | ns   |
| SB0/SB1 low level width                                   | t <sub>SBL</sub>  |   | t <sub>KCY3</sub>              |      |      | ns   |
| SB0/SB1 high level width                                  | t <sub>SBH</sub>  |   | t <sub>KCY3</sub>              |      |      | ns   |

**SBI mode ( $\overline{\text{SCK}}$  ... External clock input (slave)):**

| Parameter   | Symbol            | Conditions  | Min.                           | Typ. | Max. | Unit |
|---|-------------------|---|--------------------------------|------|------|------|
| SCK cycle time  | t <sub>KCY4</sub> | V <sub>DD</sub> = 4.5 to 6.0 V                                    | 800                            |      |      | ns   |
|   |                   |   | 3200                           |      |      | ns   |
| $\overline{\text{SCK}}$ high/low level width              | t <sub>KL4</sub>  | V <sub>DD</sub> = 4.5 to 6.0 V                                    | 400                            |      |      | ns   |
|   | t <sub>KH4</sub>  |   | 1600                           |      |      | ns   |
| SB0/SB1 setup time (referred to SCK↑)                     | t <sub>SIK4</sub> |   | 100                            |      |      | ns   |
| SB0/SB1 hold time (referred to $\overline{\text{SCK}}$ ↑) | t <sub>KSI4</sub> |   | t <sub>KCY4</sub> /2           |      |      | ns   |
| Delay time from SCK↓ to SB0/SB1 output                    | t <sub>KSO4</sub> | R <sub>L</sub> = 1 kΩ,<br>C <sub>L</sub> = 100 pF <sup>Note</sup> | V <sub>DD</sub> = 4.5 to 6.0 V | 0    | 300  | ns   |
|   |                   |   |                                | 0    | 1000 | ns   |
| From $\overline{\text{SCK}}$ ↑ to SB0/SB1↓                | t <sub>KSB</sub>  |   | t <sub>KCY4</sub>              |      |      | ns   |
| From SB0/SB1↓ to $\overline{\text{SCK}}$ ↓                | t <sub>SBK</sub>  |   | t <sub>KCY4</sub>              |      |      | ns   |
| SB0/SB1 low level width                                   | t <sub>SBL</sub>  |   | t <sub>KCY4</sub>              |      |      | ns   |
| SB0/SB1 high level width                                  | t <sub>SBH</sub>  |   | t <sub>KCY4</sub>              |      |      | ns   |

**Note** R<sub>L</sub> and C<sub>L</sub> are the resistance and capacitance of the SB0/SB1 output line load respectively.

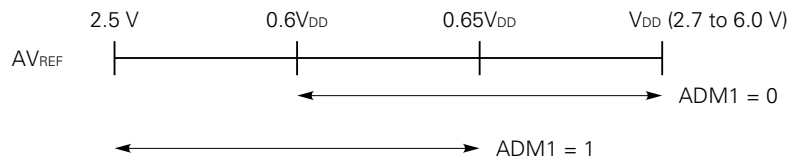
**A/D CONVERTER** ( $T_a = -40$  to  $+85$  °C,  $V_{DD} = 2.7$  to  $6.0$  V,  $AV_{SS} = V_{SS} = 0$  V)

| Parameter                           | Symbol     | Conditions   | Min.                                  | Typ. | Max.       | Unit      |     |
|-------------------------------------|------------|--|---------------------------------------|------|------------|-----------|-----|
| Resolution                          |            |  | 8                                     | 8    | 8          | bit       |     |
| Absolute accuracy <sup>Note 1</sup> |            | $2.5\text{ V} \leq AV_{REF} \leq V_{DD}$ <sup>Note 2</sup> | $-10 \leq T_a \leq +85^\circ\text{C}$ |      |            | $\pm 1.5$ | LSB |
|                                     |            |  | $-40 \leq T_a < -10^\circ\text{C}$    |      |            | $\pm 2.0$ | LSB |
| Conversion time <sup>Note 3</sup>   | $t_{CONV}$ |  |                                       |      | $168/f_x$  | μs        |     |
| Sampling time <sup>Note 4</sup>     | $t_{SAMP}$ |  |                                       |      | $44/f_x$   | μs        |     |
| Reference input voltage             | $AV_{REF}$ |  | 2.5                                   |      | $V_{DD}$   | V         |     |
| Analog input voltage                | $V_{IAN}$  |  | $AV_{SS}$                             |      | $AV_{REF}$ | V         |     |
| Analog input impedance              | $R_{AN}$   |  |                                       | 1000 |            | MΩ        |     |
| $AV_{REF}$ current                  | $I_{REF}$  |  |                                       | 0.7  | 2.0        | mA        |     |

**Notes 1.** Absolute accuracy excluding quantization error ( $\pm 1/2$  LSB)

**2.**  $2.5\text{ V} \leq AV_{REF} \leq V_{DD}$

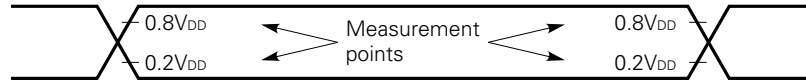
ADM1 is set to 0 or 1 depending on the A/D converter reference voltage ( $AV_{REF}$ ) as follows:



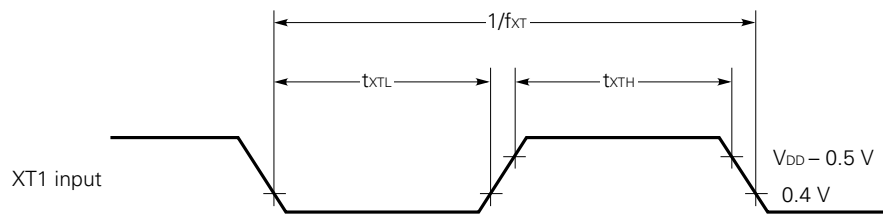
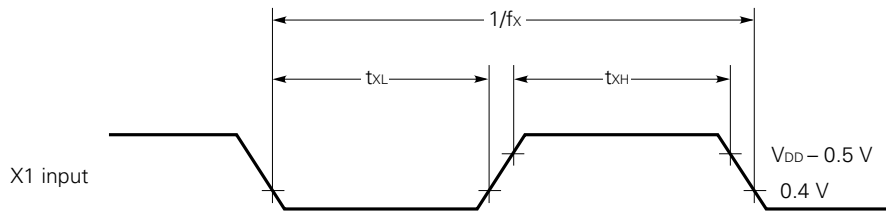
When  $0.6V_{DD} \leq AV_{REF} \leq 0.65V_{DD}$ , ADM1 can be set to either 0 or 1.

- 3.** Time from the execution of a conversion start instruction till the end of conversion (EOC = 1) ( $40.1\ \mu\text{s}$ :  $f_x = 4.19\ \text{MHz}$ )
- 4.** Time from the execution of a conversion start instruction till the end of sampling ( $10.5\ \mu\text{s}$ :  $f_x = 4.19\ \text{MHz}$ )

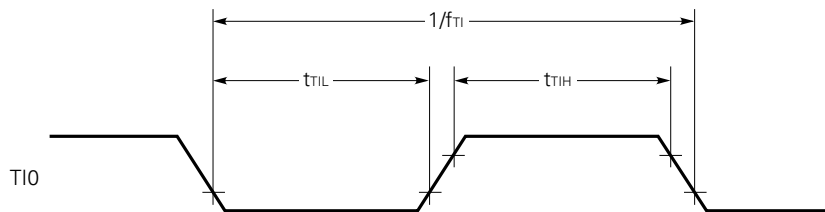
**AC Timing Measurement Points (Excluding X1 and XT1 Inputs)**



**Clock Timing**

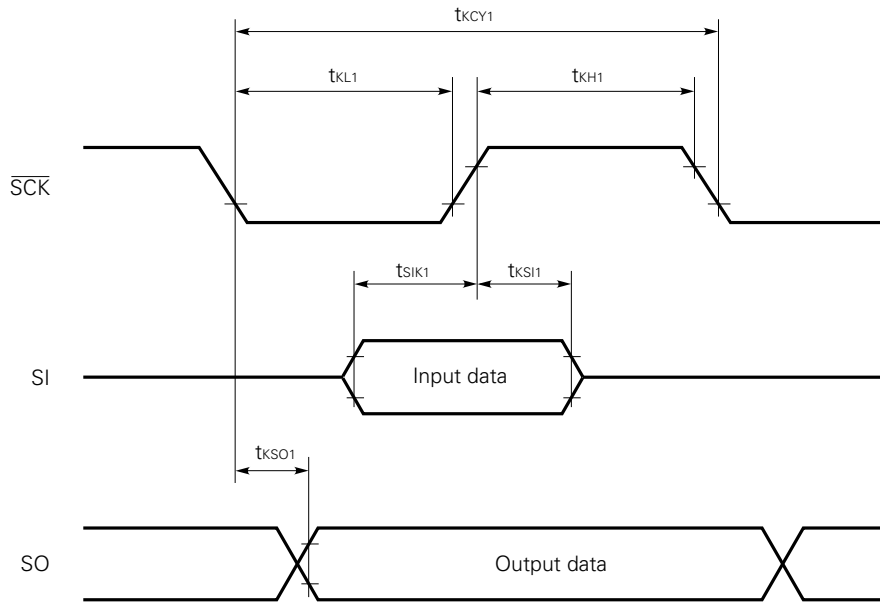


**T10 Timing**

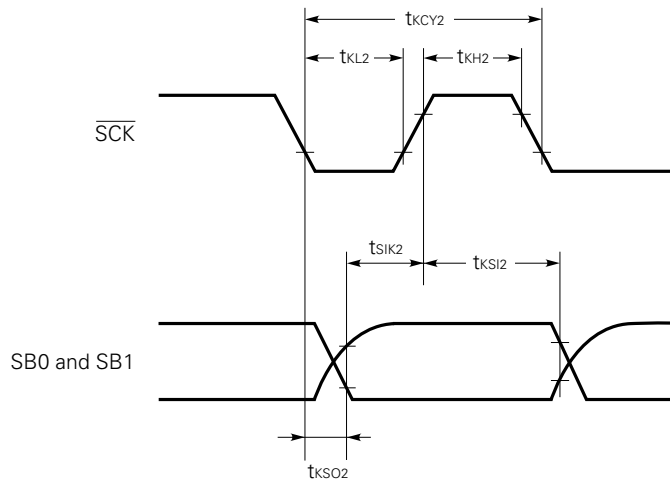


Serial Transfer Timing

Three-wire serial I/O mode:



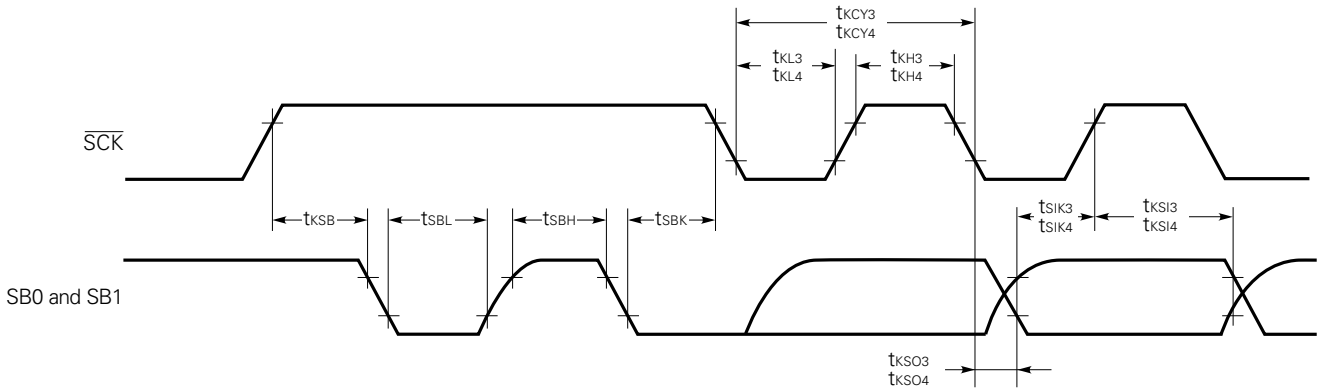
Two-wire serial I/O mode:



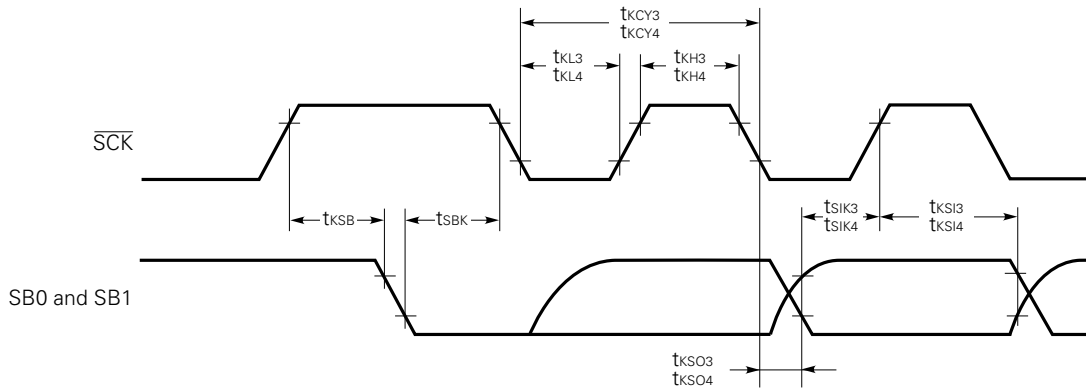


**Serial Transfer Timing**

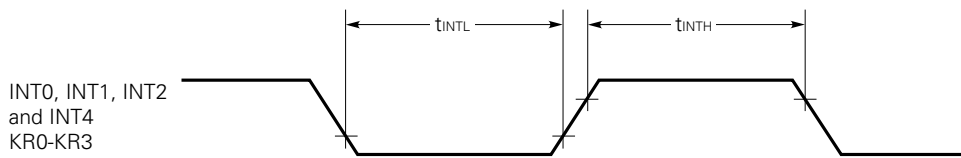
**Bus release signal transfer:**



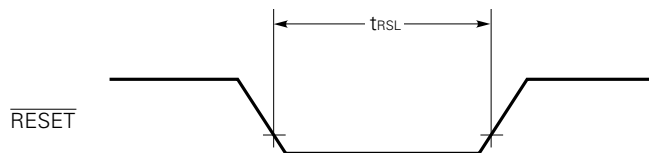
**Command signal transfer:**



**Interrupt Input Timing**



**RESET Input Timing**



**DATA HOLD CHARACTERISTICS BY LOW SUPPLY VOLTAGE IN DATA MEMORY STOP MODE**

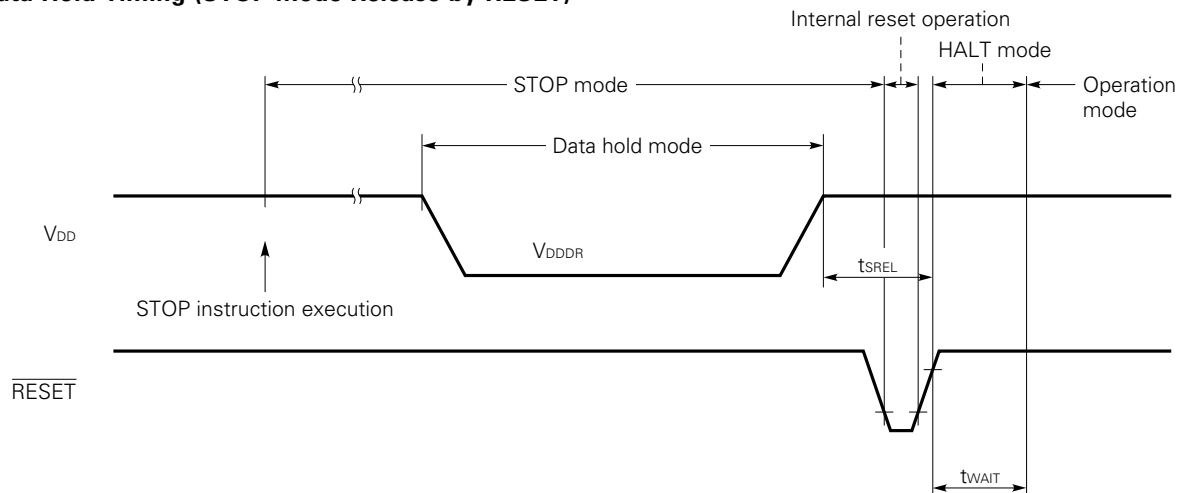
(T<sub>a</sub> = -40 to +85 °C)

| Parameter                                   | Symbol            | Conditions                           | Min. | Typ.                            | Max. | Unit |
|---|-------------------|--------------------------------------|------|---------------------------------|------|------|
| Data hold supply voltage                    | V <sub>DDDR</sub> |                                      | 2.0  |                                 | 6.0  | V    |
| Data hold supply current <sup>Note 1</sup>  | I <sub>DDDR</sub> | V <sub>DDDR</sub> = 2.0 V            |      | 0.1                             | 10   | μA   |
| Release signal setting time                 | t <sub>SREL</sub> |                                      | 0    |                                 |      | μs   |
| Oscillation settling time <sup>Note 2</sup> | t <sub>WAIT</sub> | Release by $\overline{\text{RESET}}$ |      | 2 <sup>17</sup> /f <sub>x</sub> |      | ms   |
|   |                   | Release by interrupt request         |      | Note 3                          |      | ms   |

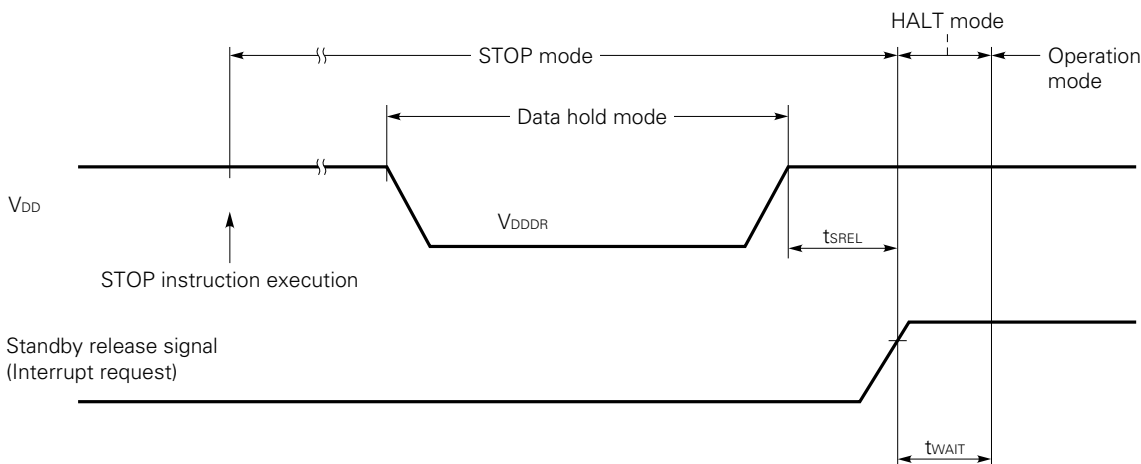
- Notes 1.** Excluding the current which flows through the built-in pull-up resistors
- 2.** CPU operation stop time for preventing unstable operation at the beginning of oscillation
- 3.** This value depends on the settings of the basic interval timer mode register (BTM) shown below.

| BTM3 | BTM2 | BTM1 | BTM0 | Wait time<br>(Values at f <sub>x</sub> = 4.19 MHz in parentheses) |
|------|------|------|------|---|
| —    | 0    | 0    | 0    | 2 <sup>20</sup> /f <sub>x</sub> (approx. 250 ms)                  |
| —    | 0    | 1    | 1    | 2 <sup>17</sup> /f <sub>x</sub> (approx. 31.3 ms)                 |
| —    | 1    | 0    | 1    | 2 <sup>15</sup> /f <sub>x</sub> (approx. 7.82 ms)                 |
| —    | 1    | 1    | 1    | 2 <sup>13</sup> /f <sub>x</sub> (approx. 1.95 ms)                 |

**Data Hold Timing (STOP Mode Release by  $\overline{\text{RESET}}$ )**



**Data Hold Timing (Standby Release Signal: STOP Mode Release by Interrupt Signal)**

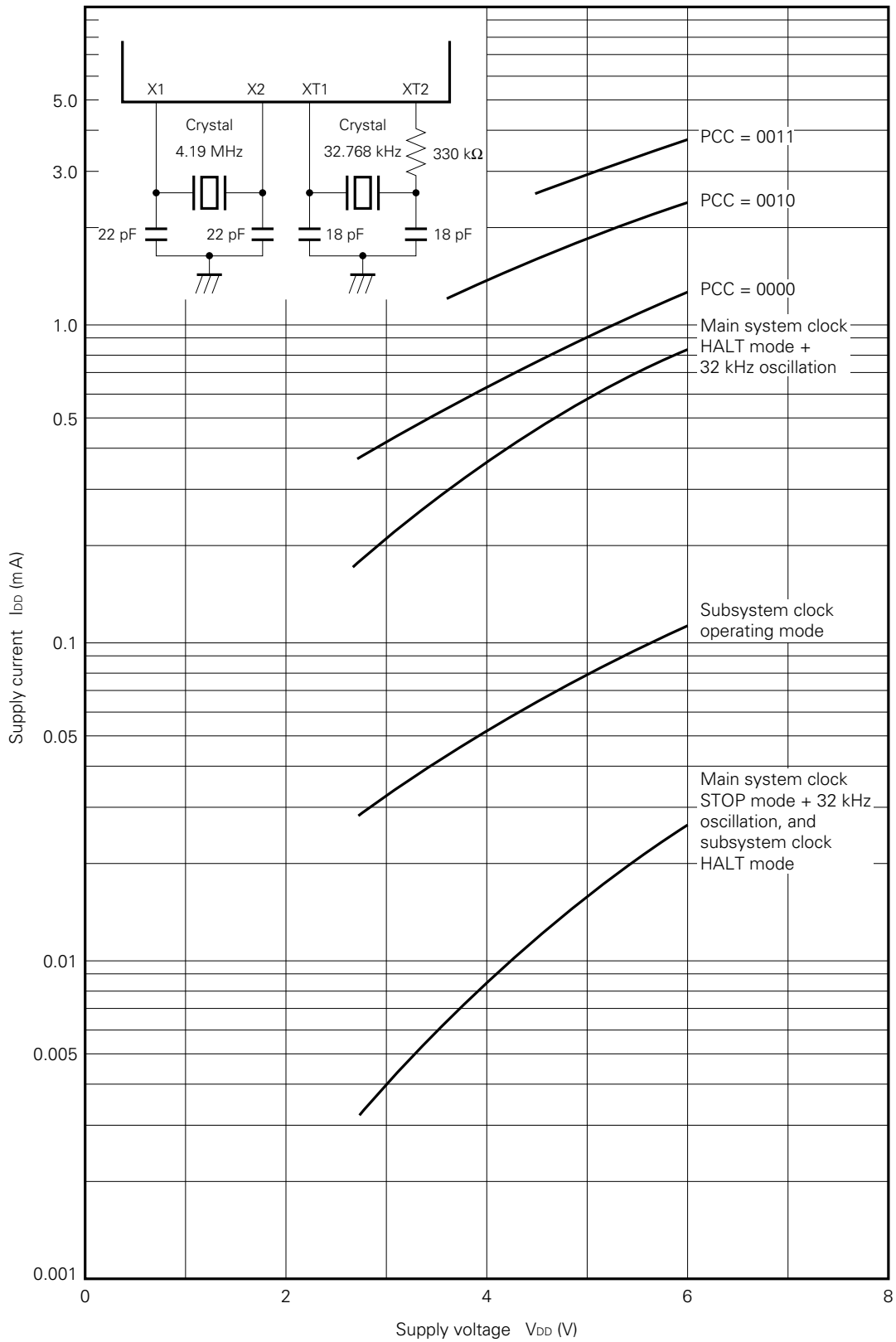


6. CHARACTERISTIC CURVES (FOR REFERENCE)

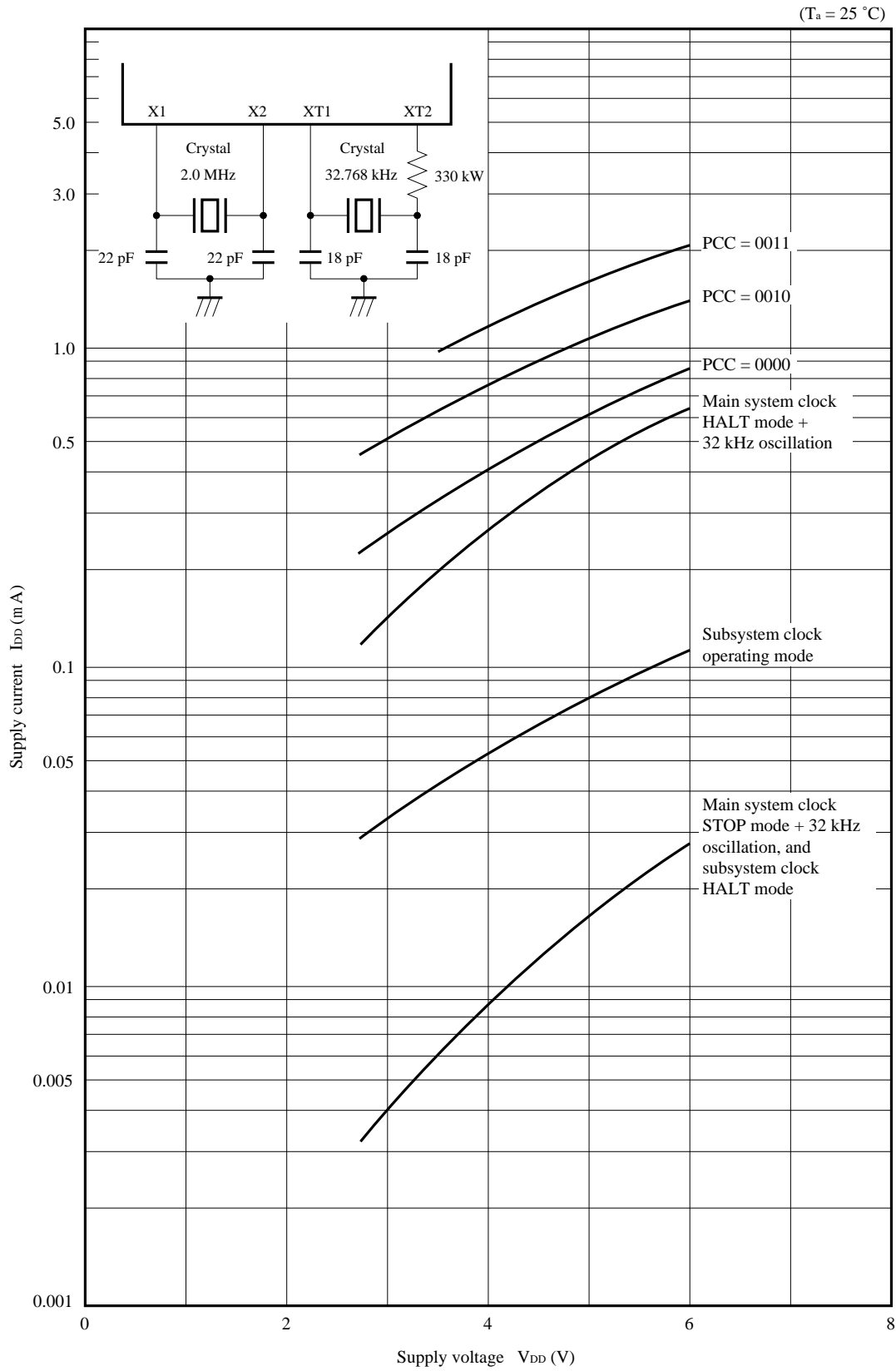


I<sub>DD</sub> vs V<sub>DD</sub> (When the main system clock operates at 4.19 MHz with a crystal)

(T<sub>a</sub> = 25 °C)

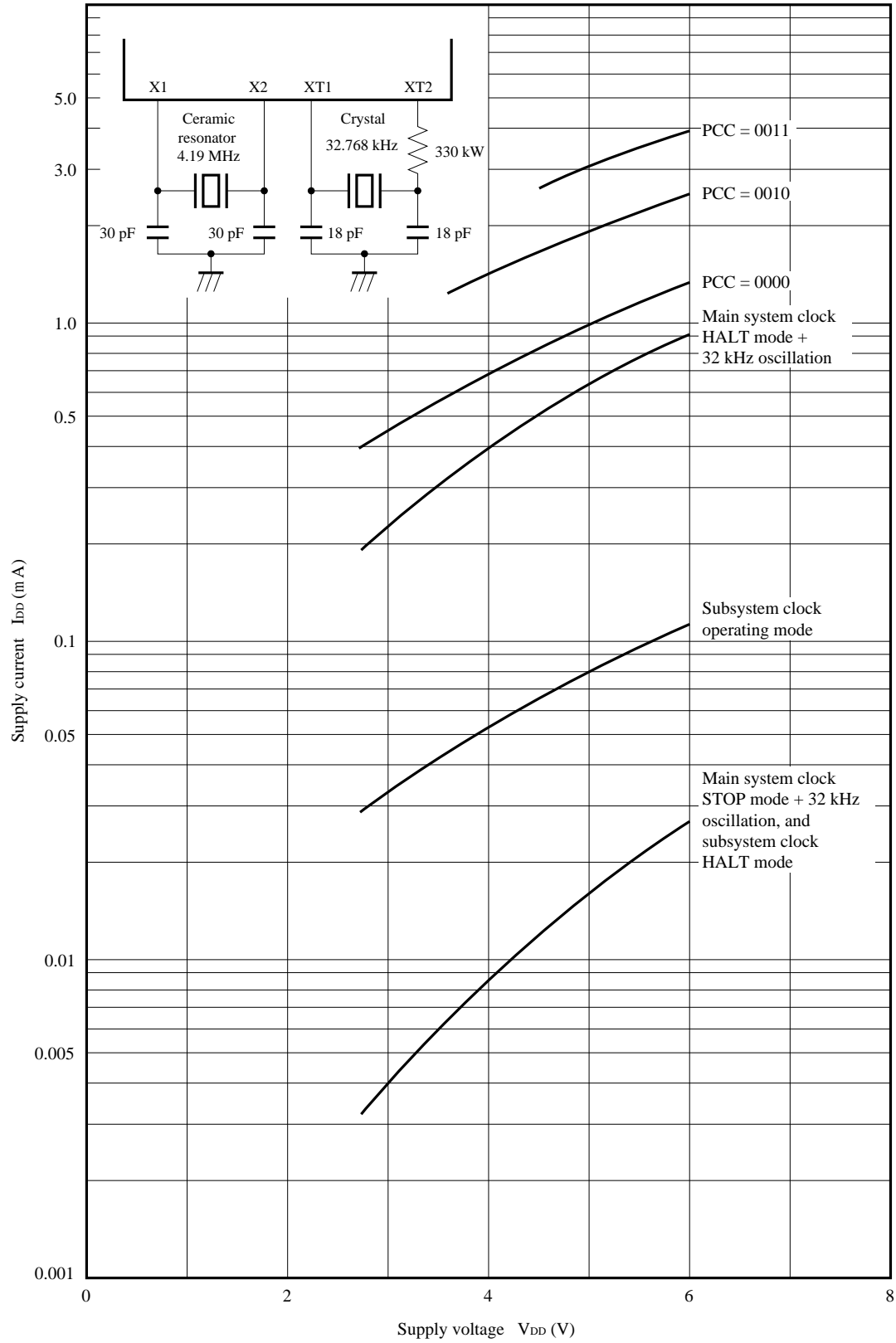


I<sub>DD</sub> vs V<sub>DD</sub> (When the main system clock operates at 2.0 MHz with a crystal)

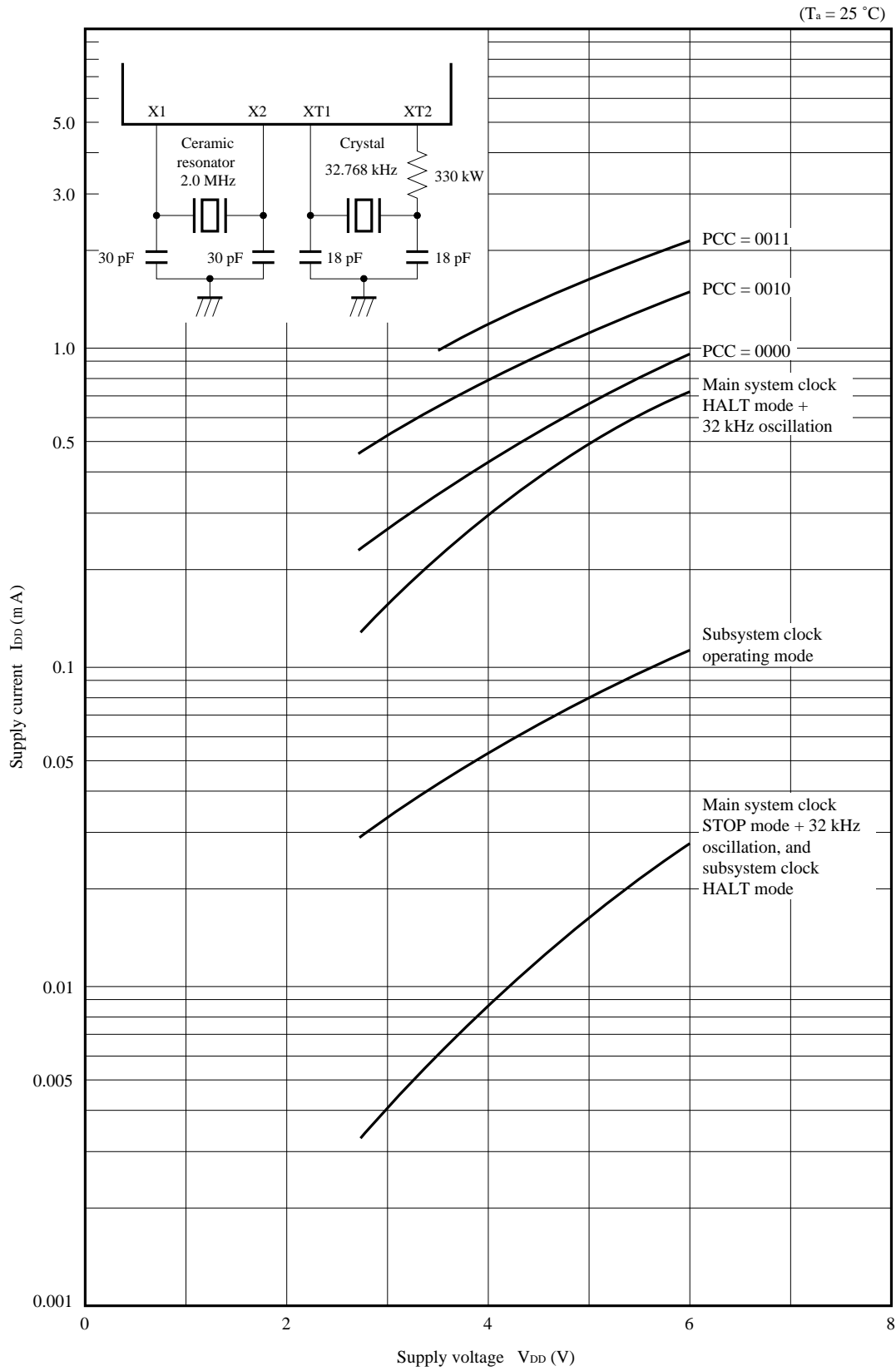


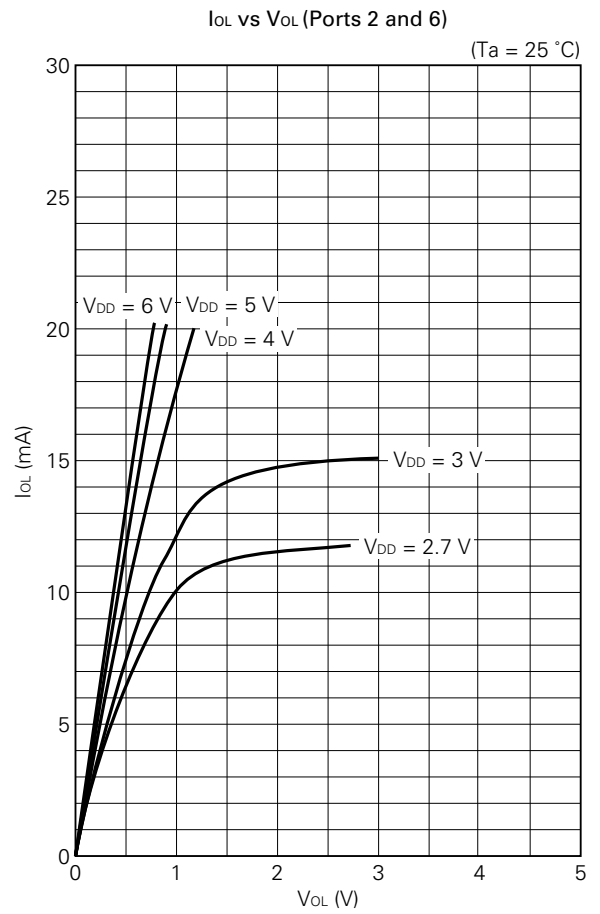
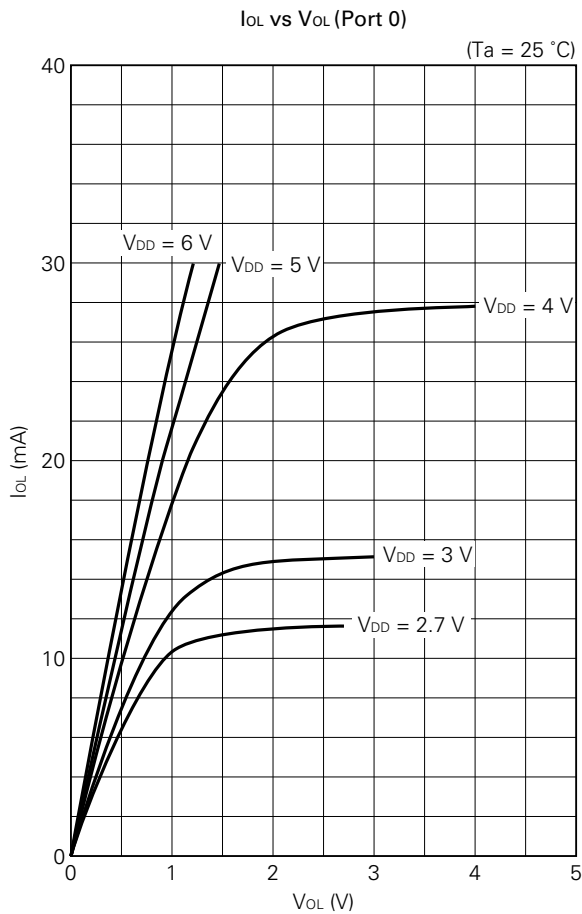
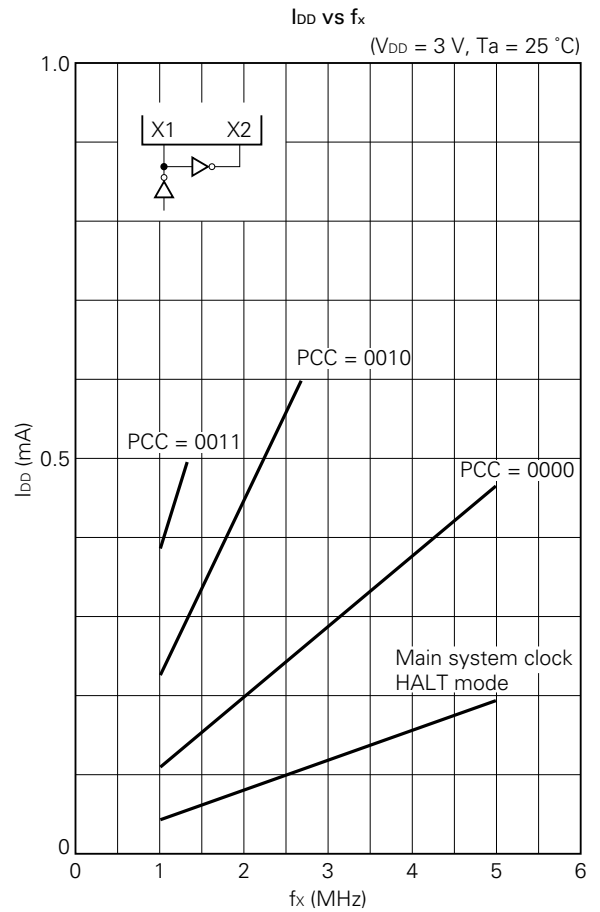
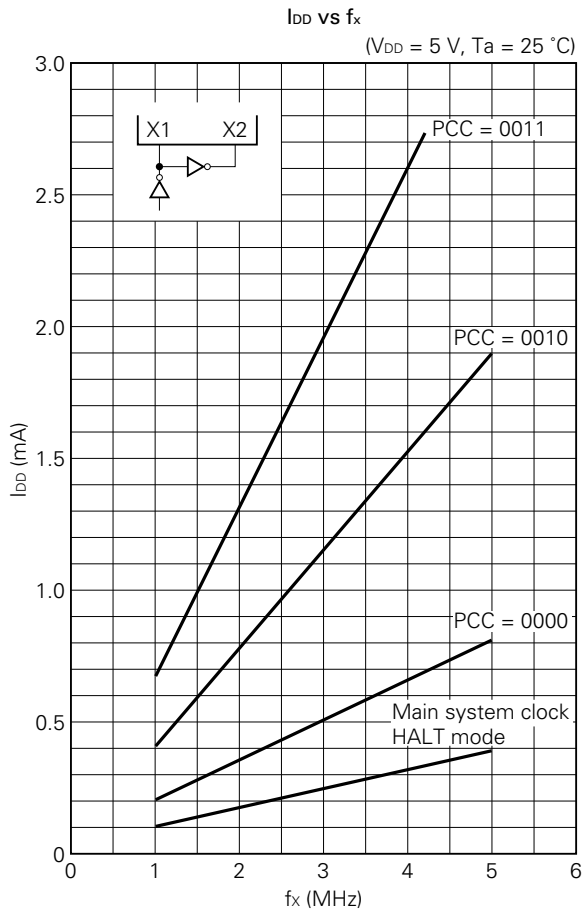
I<sub>DD</sub> vs V<sub>DD</sub> (When the main system clock operates at 4.19 MHz with a ceramic resonator)

(T<sub>a</sub> = 25 °C)



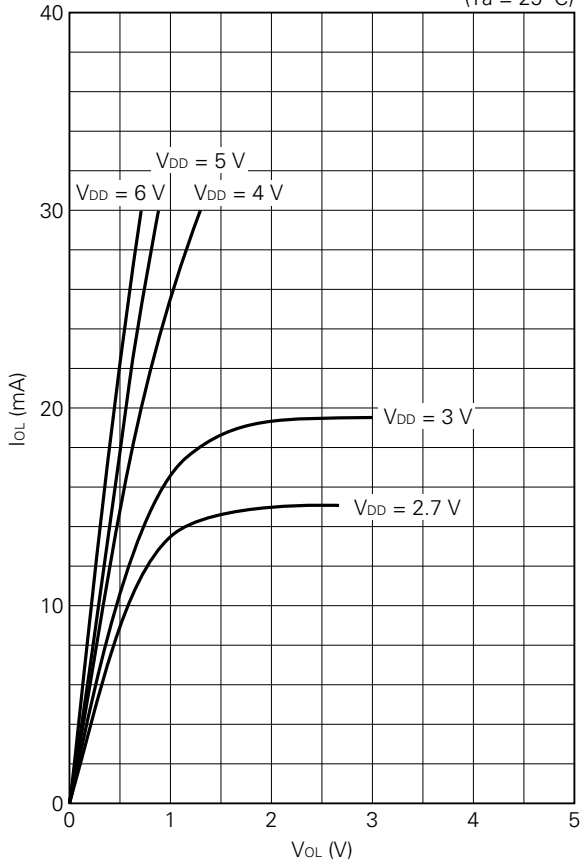
I<sub>DD</sub> vs V<sub>DD</sub> (When the main system clock operates at 2.0 MHz with a ceramic resonator)





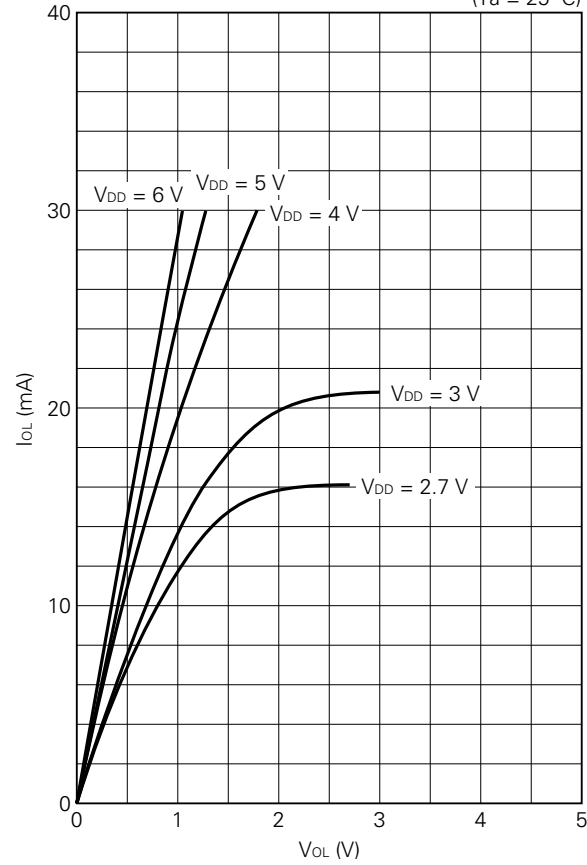
$I_{OL}$  vs  $V_{OL}$  (Port 3)

( $T_a = 25^\circ\text{C}$ )



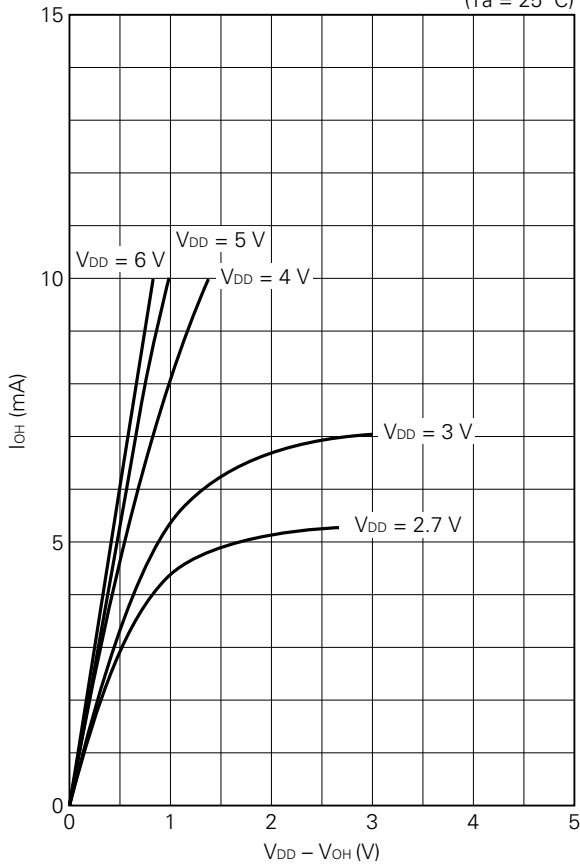
$I_{OL}$  vs  $V_{OL}$  (Ports 4 and 5)

( $T_a = 25^\circ\text{C}$ )



$I_{OH}$  vs  $V_{OH}$

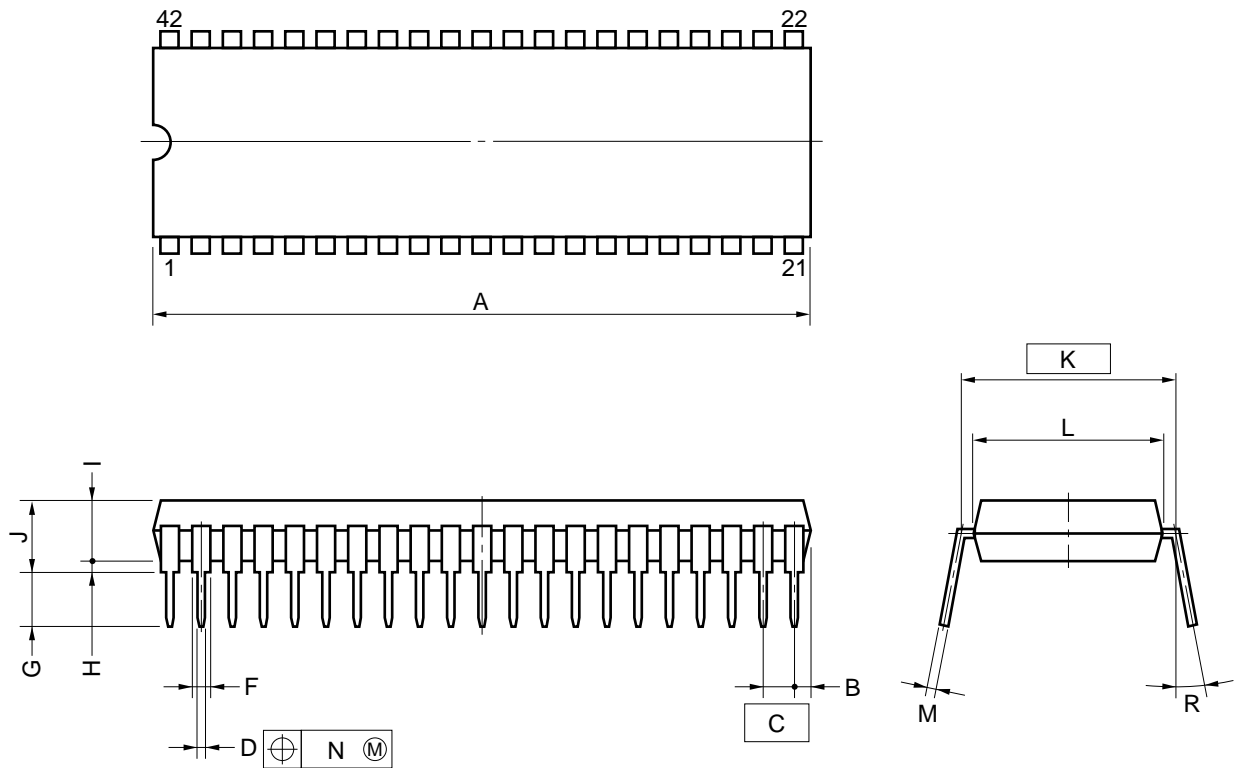
( $T_a = 25^\circ\text{C}$ )





7. PACKAGE DRAWINGS

42PIN PLASTIC SHRINK DIP (600 mil)



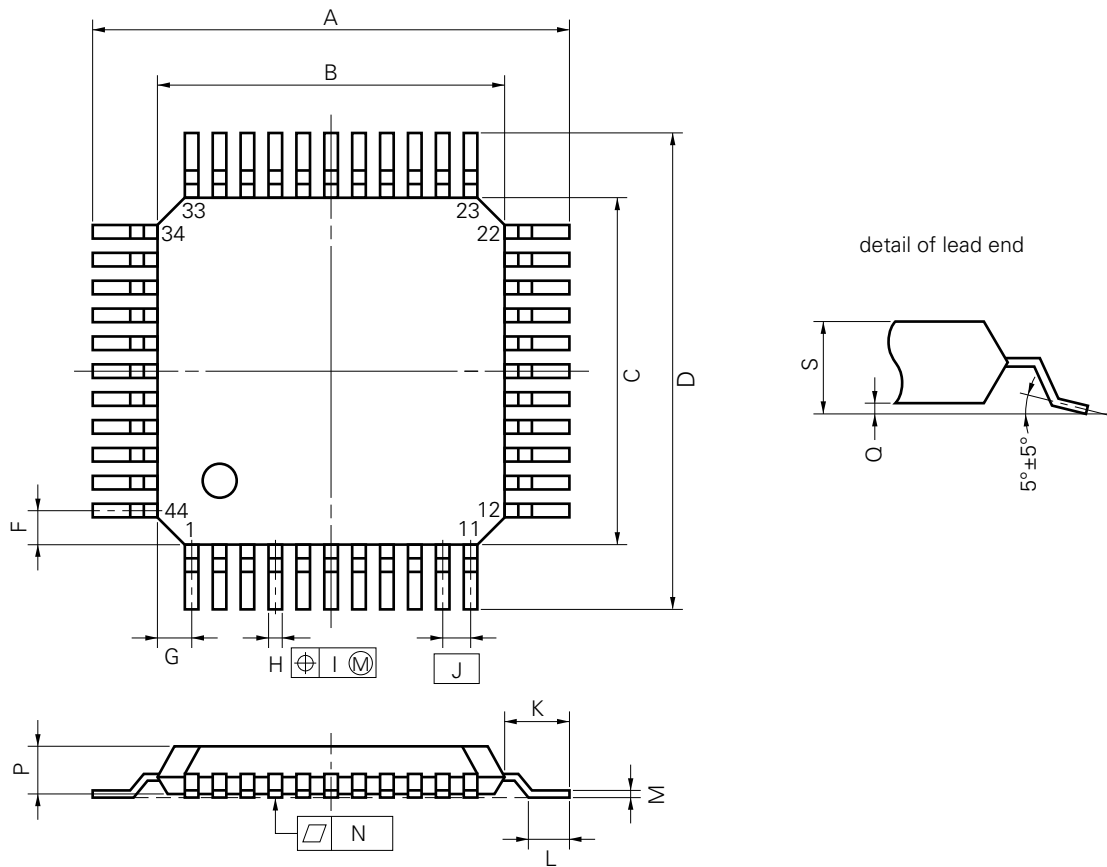
NOTES

- 1) Each lead centerline is located within 0.17 mm (0.007 inch) of its true position (T.P.) at maximum material condition.
- 2) Item "K" to center of leads when formed parallel.

| ITEM | MILLIMETERS                            | INCHES                                    |
|------|--|---|
| A    | 39.13 MAX.                             | 1.541 MAX.                                |
| B    | 1.78 MAX.                              | 0.070 MAX.                                |
| C    | 1.778 (T.P.)                           | 0.070 (T.P.)                              |
| D    | 0.50±0.10                              | 0.020 <sup>+0.004</sup> <sub>-0.005</sub> |
| F    | 0.9 MIN.                               | 0.035 MIN.                                |
| G    | 3.2±0.3                                | 0.126±0.012                               |
| H    | 0.51 MIN.                              | 0.020 MIN.                                |
| I    | 4.31 MAX.                              | 0.170 MAX.                                |
| J    | 5.08 MAX.                              | 0.200 MAX.                                |
| K    | 15.24 (T.P.)                           | 0.600 (T.P.)                              |
| L    | 13.2                                   | 0.520                                     |
| M    | 0.25 <sup>+0.10</sup> <sub>-0.05</sub> | 0.010 <sup>+0.004</sup> <sub>-0.003</sub> |
| N    | 0.17                                   | 0.007                                     |
| R    | 0~15°                                  | 0~15°                                     |

P42C-70-600A-1

44 PIN PLASTIC QFP (□10)



**NOTE**

Each lead centerline is located within 0.15 mm (0.006 inch) of its true position (T.P.) at maximum material condition.

P44GB-80-3B4-2

| ITEM | MILLIMETERS                            | INCHES                                    |
|------|--|---|
| A    | 13.6±0.4                               | 0.535 <sup>+0.017</sup> <sub>-0.016</sub> |
| B    | 10.0±0.2                               | 0.394 <sup>+0.008</sup> <sub>-0.009</sub> |
| C    | 10.0±0.2                               | 0.394 <sup>+0.008</sup> <sub>-0.009</sub> |
| D    | 13.6±0.4                               | 0.535 <sup>+0.017</sup> <sub>-0.016</sub> |
| F    | 1.0                                    | 0.039                                     |
| G    | 1.0                                    | 0.039                                     |
| H    | 0.35±0.10                              | 0.014 <sup>+0.004</sup> <sub>-0.005</sub> |
| I    | 0.15                                   | 0.006                                     |
| J    | 0.8 (T.P.)                             | 0.031 (T.P.)                              |
| K    | 1.8±0.2                                | 0.071 <sup>+0.008</sup> <sub>-0.009</sub> |
| L    | 0.8±0.2                                | 0.031 <sup>+0.009</sup> <sub>-0.008</sub> |
| M    | 0.15 <sup>+0.10</sup> <sub>-0.05</sub> | 0.006 <sup>+0.004</sup> <sub>-0.003</sub> |
| N    | 0.12                                   | 0.005                                     |
| P    | 2.7                                    | 0.106                                     |
| Q    | 0.1±0.1                                | 0.004±0.004                               |
| S    | 3.0 MAX.                               | 0.119 MAX.                                |

**8. RECOMMENDED SOLDERING CONDITIONS**



The conditions listed below shall be met when soldering the μPD75P068.

For details of the recommended soldering conditions, refer to our document "SMD Surface Mount Technology Manual" (IEI-1207).

Please consult with our sales offices in case any other soldering process is used, or in case soldering is done under different conditions.

**Table 8-1 Soldering Conditions for Surface-Mount Devices**

**μPD75P068GB-3B4: 44-pin plastic QFP (10 × 10 mm)**

| Soldering process      | Soldering conditions  | Symbol    |
|------------------------|---|-----------|
| Infrared ray reflow    | Peak package's surface temperature: 235 °C<br>Reflow time: 30 seconds or less (at 210 °C or more)<br>Maximum allowable number of reflow processes: 2<br><Cautions><br>(1) Do not start reflow-soldering the device if its temperature is higher than the room temperature because of a previous reflow soldering.<br>(2) Do not use water for flux cleaning before a second reflow soldering. | IR35-00-2 |
| VPS                    | Peak package's surface temperature: 215 °C<br>Reflow time: 40 seconds or less (at 200 °C or more)<br>Maximum allowable number of reflow processes: 2<br><Cautions><br>(1) Do not start reflow-soldering the device if its temperature is higher than the room temperature because of a previous reflow soldering.<br>(2) Do not use water for flux cleaning before a second reflow soldering. | VP15-00-2 |
| Wave soldering         | Solder temperature: 260°C or less<br>Flow time: 10 seconds or less<br>Number of flow processes: 1<br>Preheating temperature: 120 max. (measured on the package surface)   | WS60-00-1 |
| Partial heating method | Terminal temperature: 300 °C or less<br>Flow time: 3 seconds or less (for each side of device)  | -         |

**Caution** Do not apply more than a single process at once, except for "Partial heating method."

**Table 8-2 Soldering Conditions for Through Hole Mount Devices**

**μPD75P068CU: 42-pin plastic shrink DIP (600 mil)**

| Soldering process                  | Soldering conditions  |
|------------------------------------|---|
| Wave soldering<br>(only for leads) | Solder temperature: 260 °C or less<br>Flow time: 10 seconds or less   |
| Partial heating method             | Terminal temperature: 260 °C or less<br>Flow time: 10 seconds or less |

**Caution** In wave soldering, apply solder only to the lead section. Care must be taken that jet solder does not come in contact with the main body of the package.

**Notice**

Other versions of the products are available. For these versions, the recommended reflow soldering conditions have been mitigated as follows:  
Higher peak temperature (235 °C), two-stage, and longer exposure limit.  
Contact an NEC representative for details.

**APPENDIX A DEVELOPMENT TOOLS**

The following development tools are provided for developing systems including the μPD75P068:

|          |  |  |
|----------|--|--|
| Hardware | IE-75000-R <sup>Note 1</sup><br>IE-75001-R | In-circuit emulator for the 75X series   |
|          | IE-75000-R-EM <sup>Note 2</sup>            | Emulation board for the IE-75000-R and IE-75001-R  |
|          | EP-75068CU-R                               | Emulation probe for the μPD75P068CU  |
|          | EP-75068GB-R<br>EV-9200G-44                | Emulation probe for the μPD75P068GB. A 44-pin conversion socket, the EV-9200G-64, is attached to the probe.  |
|          | PG-1500                                    | PROM programmer  |
|          | PA-75P008CU                                | PROM programmer adapter for the μPD75P068CU/GB. Connected to the PG-1500.  |
| Software | IE control program                         | Host machine<br><ul style="list-style-type: none"> <li>• PC-9800 series (MS-DOS™ Ver. 3.30 to Ver. 5.00A<sup>Note 3</sup>)</li> <li>• PC/AT™ series (PC DOS™ Ver. 3.10)</li> </ul> |
|          | PG-1500 controller                         |  |
|          | RA75X relocatable assembler                |  |

**Notes 1.** Maintenance service only

**2.** Not contained in the IE-75001-R

**3.** MS-DOS versions 5.00 and 5.00A are provided with a task swap function. This function, however, cannot be used in these software.

**Remark** Refer to *75X Series Selection Guide* (IF-1027) for development tools manufactured by third parties.

**APPENDIX B RELATED DOCUMENTS**

**Documents related to the device**

| Document Name                  | Document No. |
|--------------------------------|--------------|
| User's Manual                  | IEU-1366     |
| Application Note (Preliminary) | IEA-1296     |
| 75X Series Selection Guide     | IF-1027      |

**Documents related to development tools**

| Document Name |                                       | Document No. |          |
|---------------|---------------------------------------|--------------|----------|
| Hardware      | IE-75000-R/IE-75001-R User's Manual   |              | EEU-1455 |
|               | IE-75000-R-EM User's Manual           |              | EEU-1294 |
|               | EP-75068CU-R User's Manual            |              | EEU-1317 |
|               | EP-75068GB-R User's Manual            |              | EEU-1428 |
|               | PG-1500 User's Manual                 |              | EEU-1335 |
| Software      | RA75X Assembler Package User's Manual | Operation    | EEU-1346 |
|               |                                       | Language     | EEU-1363 |
|               | PG-1500 Controller User's Manual      |              | EEU-1291 |

**Other documents**

| Document Name   | Document No. |
|---|--------------|
| Package Manual  | IEI-1213     |
| SMD Surface Mount Technology Manual                         | IEI-1207     |
| Quality Grades on NEC Semiconductor Devices                 | IEI-1209     |
| NEC Semiconductor Device Reliability/Quality Control System | IEI-1203     |
| Electrostatic Discharge (ESD) Test                          | IEI-1201     |
| Guide to Quality Assurance for Semiconductor Devices        | MEI-1202     |

**Caution** The above documents may be revised without notice. Use the latest versions when you design an application system.

[MEMO]

### Cautions on CMOS Devices

#### ① Countermeasures against static electricity for all MOSs

**Caution** When handling MOS devices, take care so that they are not electrostatically charged.

Strong static electricity may cause dielectric breakdown in gates. When transporting or storing MOS devices, use conductive trays, magazine cases, shock absorbers, or metal cases that NEC uses for packaging and shipping. Be sure to ground MOS devices during assembling. Do not allow MOS devices to stand on plastic plates or do not touch pins. Also handle boards on which MOS devices are mounted in the same way.

#### ② CMOS-specific handling of unused input pins

**Caution** Hold CMOS devices at a fixed input level.

Unlike bipolar or NMOS devices, if a CMOS device is operated with no input, an intermediate-level input may be caused by noise. This allows current to flow in the CMOS device, resulting in a malfunction. Use a pull-up or pull-down resistor to hold a fixed input level. Since unused pins may function as output pins at unexpected times, each unused pin should be separately connected to the  $V_{DD}$  or GND pin through a resistor. If handling of unused pins is documented, follow the instructions in the document.

#### ③ Statuses of all MOS devices at initialization

**Caution** The initial status of a MOS device is unpredictable when power is turned on.

Since characteristics of a MOS device are determined by the amount of ions implanted in molecules, the initial status cannot be determined in the manufacture process. NEC has no responsibility for the output statuses of pins, input and output settings, and the contents of registers at power on. However, NEC assures operation after reset and items for mode setting if they are defined.

When you turn on a device having a reset function, be sure to reset the device first.

[MEMO]

No part of this document may be copied or reproduced in any form or by any means without the prior written consent of NEC Corporation. NEC Corporation assumes no responsibility for any errors which may appear in this document. NEC Corporation does not assume any liability for infringement of patents, copyrights or other intellectual property rights of third parties by or arising from use of a device described herein or any other liability arising from use of such device. No license, either express, implied or otherwise, is granted under any patents, copyrights or other intellectual property rights of NEC Corporation or others.

The devices listed in this document are not suitable for use in aerospace equipment, submarine cables, nuclear reactor control systems and life support systems. If customers intend to use NEC devices for above applications or they intend to use "Standard" quality grade NEC devices for applications not intended by NEC, please contact our sales people in advance.

Application examples recommended by NEC Corporation

Standard: Computer, Office equipment, Communication equipment, Test and Measurement equipment, Machine tools, Industrial robots, Audio and Visual equipment, Other consumer products, etc.

Special: Automotive and Transportation equipment, Traffic control systems, Antidisaster systems, Anticrime systems, etc.

M4 92. 6

**MS-DOS is a trademark of Microsoft Corporation.**  
**PC/AT and PC DOS are trademarks of IBM Corporation.**