

HA17747/P

Dual Operational Amplifier

HITACHI

Description

The HA17747/P is a dual internal phase compensation high-performance operational amplifier, that is appropriate for use in a wide range of applications in the test and control fields.

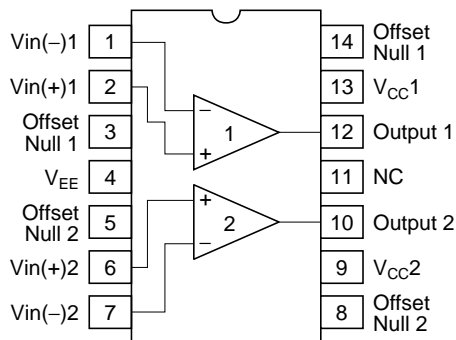
Features

- High voltage gain : 106 dB (Typ)
- Wide output amplitude : ± 13 V (Typ) (at $R_L \geq 2$ k Ω)
- Shorted output protection
- Adjustable offset voltage
- Internal phase compensation

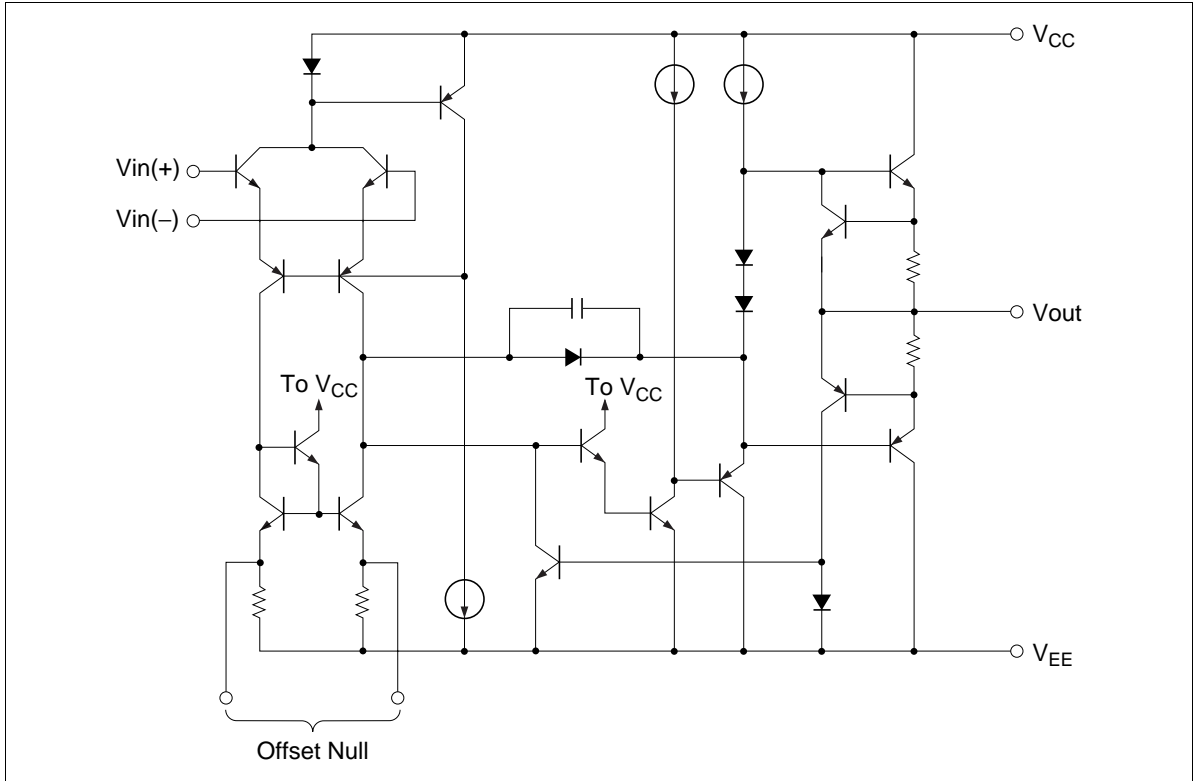
Ordering Information

Type No.	Application	Package
HA17747P	Industrial use	DP-14
HA17747	Commercial use	

Pin Arrangement



Circuit Structure



Absolute Maximum Ratings (Ta = 25°C)

Item	Symbol	Ratings		Unit
		HA17747P	HA17747	
Power-supply voltage	V _{CC}	+18	+18	V
	V _{EE}	-18	-18	V
Input voltage	V _{in}	±15 *1	±15 *1	V
Differential input voltage	V _{in(diff)}	±30	±30	V
Offset adjustment pin - V _{EE} voltage	V _{OFF} - V _{EE}	±0.5	±0.5	V
Allowable power dissipation	P _T	670 *2	670 *2	mW
Operating temperature	T _{opr}	-20 to +75	-20 to +75	°C
Storage temperature	T _{stg}	-55 to +125	-55 to +125	°C

Notes: 1. When the power-supply voltage is less than ±15 V, the input voltage must fall within the power-supply voltage range.

2. These are the allowable values up to Ta = 45°C. Above that temperature, derate by 8.3 mW/°C.

Electrical Characteristics

Electrical Characteristics-1 ($V_{CC} = -V_{EE} = 15\text{ V}$, $T_a = 25^\circ\text{C}$)

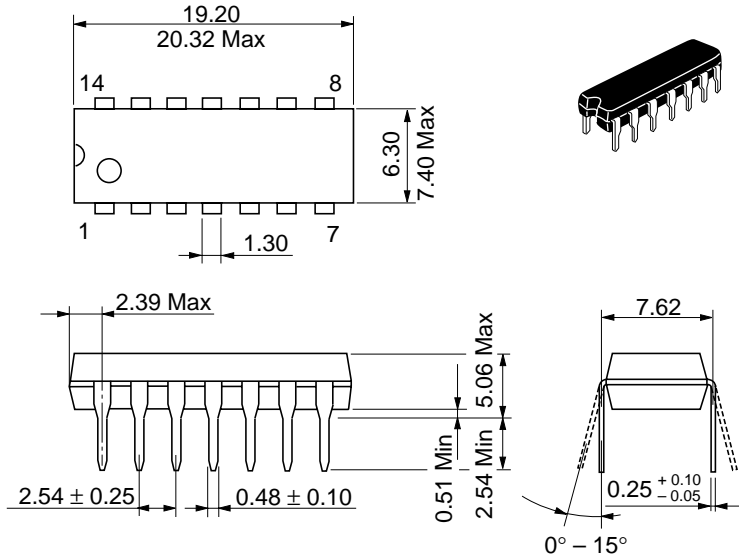
Item	Symbol	Min	Typ	Max	Unit	Test Condition
Input offset voltage	V_{IO}	—	1.0	6.0	mV	$R_S \leq 10\text{ k}\Omega$
Input offset current	I_{IO}	—	20	200	nA	
Input bias current	I_{IB}	—	80	500	nA	
Voltage gain	A_{VD}	88	106	—	dB	$R_L \geq 2\text{ k}\Omega$, $V_{out} = \pm 10\text{ V}$
Supply current	I_{CC}	—	1.7	2.8	mA	No load
Power dissipation	P_d	—	50	85	mW	(per channel rating)
Input resistance	R_{in}	0.3	2.0	—	$M\Omega$	
Input capacitance	C_{in}	—	1.4	—	pF	
Output resistance	R_{out}	—	75	—	Ω	
Slew rate	SR	—	1.0	—	V/ μs	$R_L \geq 2\text{ k}\Omega$
Rise time	t_r	—	0.3	—	μs	$V_{in} = -20\text{ mV}$,
Overshoot	V_{over}	—	5.0	—	%	$R_L = 2\text{ k}\Omega$, $C_L = 100\text{ pF}$
Input offset voltage adjustment range	$\Delta V_{IO(adj)}$	—	± 15	—	mV	
Output shorted current	I_{OS}	—	25	—	mA	
Channel separation	CS	—	120	—	dB	

Electrical Characteristics-2 ($V_{CC} = -V_{EE} = 15\text{ V}$, $T_a = -20\text{ to }+75^\circ\text{C}$)

Item	Symbol	Min	Typ	Max	Unit	Test Condition
Input offset voltage	V_{IO}	—	1.0	9.0	mV	$R_S \leq 10\text{ k}\Omega$
Input offset current	I_{IO}	—	20	400	nA	
Input bias current	I_{IB}	—	80	1,100	nA	
Power-supply rejection ratio	$\Delta V_{IO}/\Delta V_{CC}$	—	30	150	$\mu\text{V/V}$	$R_S \leq 10\text{ k}\Omega$
	$\Delta V_{IO}/\Delta V_{EE}$	—	30	150	$\mu\text{V/V}$	$R_S \leq 10\text{ k}\Omega$
Voltage gain	A_{VD}	80	—	—	dB	$R_L \geq 2\text{ k}\Omega$, $V_{out} = \pm 10\text{ V}$
Common-mode rejection ratio	CMR	70	90	—	dB	$R_S \leq 10\text{ k}\Omega$
Common-mode input voltage range	V_{CM}	± 12	± 13	—	V	
Maximum output voltage amplitude	V_{OP-P}	± 12	± 14	—	V	$R_L \geq 10\text{ k}\Omega$
		± 10	± 13	—	V	$R_L \geq 2\text{ k}\Omega$
Supply current	I_{CC}	—	2.1	3.7	mA	No load
Power dissipation	P_d	—	65	110	mW	(per channel rating)

Package Dimensions

Unit: mm



Hitachi Code	DP-14
JEDEC	Conforms
EIAJ	Conforms
Mass (reference value)	0.97 g

Cautions

1. Hitachi neither warrants nor grants licenses of any rights of Hitachi's or any third party's patent, copyright, trademark, or other intellectual property rights for information contained in this document. Hitachi bears no responsibility for problems that may arise with third party's rights, including intellectual property rights, in connection with use of the information contained in this document.
2. Products and product specifications may be subject to change without notice. Confirm that you have received the latest product standards or specifications before final design, purchase or use.
3. Hitachi makes every attempt to ensure that its products are of high quality and reliability. However, contact Hitachi's sales office before using the product in an application that demands especially high quality and reliability or where its failure or malfunction may directly threaten human life or cause risk of bodily injury, such as aerospace, aeronautics, nuclear power, combustion control, transportation, traffic, safety equipment or medical equipment for life support.
4. Design your application so that the product is used within the ranges guaranteed by Hitachi particularly for maximum rating, operating supply voltage range, heat radiation characteristics, installation conditions and other characteristics. Hitachi bears no responsibility for failure or damage when used beyond the guaranteed ranges. Even within the guaranteed ranges, consider normally foreseeable failure rates or failure modes in semiconductor devices and employ systemic measures such as fail-safes, so that the equipment incorporating Hitachi product does not cause bodily injury, fire or other consequential damage due to operation of the Hitachi product.
5. This product is not designed to be radiation resistant.
6. No one is permitted to reproduce or duplicate, in any form, the whole or part of this document without written approval from Hitachi.
7. Contact Hitachi's sales office for any questions regarding this document or Hitachi semiconductor products.

HITACHI

Hitachi, Ltd.

Semiconductor & Integrated Circuits.
Nippon Bldg., 2-6-2, Ohite-machi, Chiyoda-ku, Tokyo 100-0004, Japan
Tel: Tokyo (03) 3270-2111 Fax: (03) 3270-5109

URL NorthAmerica : <http://semiconductor.hitachi.com/>
 Europe : <http://www.hitachi-eu.com/hel/ecg>
 Asia (Singapore) : <http://www.has.hitachi.com.sg/grp3/sicd/index.htm>
 Asia (Taiwan) : http://www.hitachi.com.tw/E/Product/SICD_Frame.htm
 Asia (HongKong) : <http://www.hitachi.com.hk/eng/bo/grp3/index.htm>
 Japan : <http://www.hitachi.co.jp/Sicd/indx.htm>

For further information write to:

Hitachi Semiconductor
(America) Inc.
179 East Tasman Drive,
San Jose, CA 95134
Tel: <1> (408) 433-1990
Fax: <1> (408) 433-0223

Hitachi Europe GmbH
Electronic components Group
Dornacher Straße 3
D-85622 Feldkirchen, Munich
Germany
Tel: <49> (89) 9 9180-0
Fax: <49> (89) 9 29 30 00

Hitachi Europe Ltd.
Electronic Components Group.
Whitebrook Park
Lower Cookham Road
Maidenhead
Berkshire SL6 8YA, United Kingdom
Tel: <44> (1628) 585000
Fax: <44> (1628) 778322

Hitachi Asia Pte. Ltd.
16 Collyer Quay #20-00
Hitachi Tower
Singapore 049318
Tel: 535-2100
Fax: 535-1533

Hitachi Asia Ltd.
Taipei Branch Office
3F, Hung Kuo Building, No.167,
Tun-Hwa North Road, Taipei (105)
Tel: <886> (2) 2718-3666
Fax: <886> (2) 2718-8180

Hitachi Asia (Hong Kong) Ltd.
Group III (Electronic Components)
7/F., North Tower, World Finance Centre,
Harbour City, Canton Road, Tsim Sha Tsui,
Kowloon, Hong Kong
Tel: <852> (2) 735 9218
Fax: <852> (2) 730 0281
Telex: 40815 HITEC HX

Copyright ' Hitachi, Ltd., 1998. All rights reserved. Printed in Japan.

HITACHI