



Integrated Device Technology, Inc.

# 32-BIT FLOW-THRU ERROR DETECTION AND CORRECTION UNIT

IDT49C465  
IDT49C465A

## FEATURES

- 32-bit wide Flow-thruEDC™ unit, cascadable to 64 bits
- Single-chip 64-bit Generate Mode
- Separate system and memory buses
- On-chip pipeline latch with external control
- Supports bidirectional and common I/O memories
- Corrects all single-bit errors
- Detects all double-bit errors, some multiple-bit errors
- Error Detection Time — 12ns
- Error Correction Time — 14ns
- On chip diagnostic registers.
- Parity generation and checking on system data bus
- Low power CMOS — 100mA typical at 20MHz
- 144-pin PGA and PQFP packages
- Military product compliant to MIL-STD 883, Class B

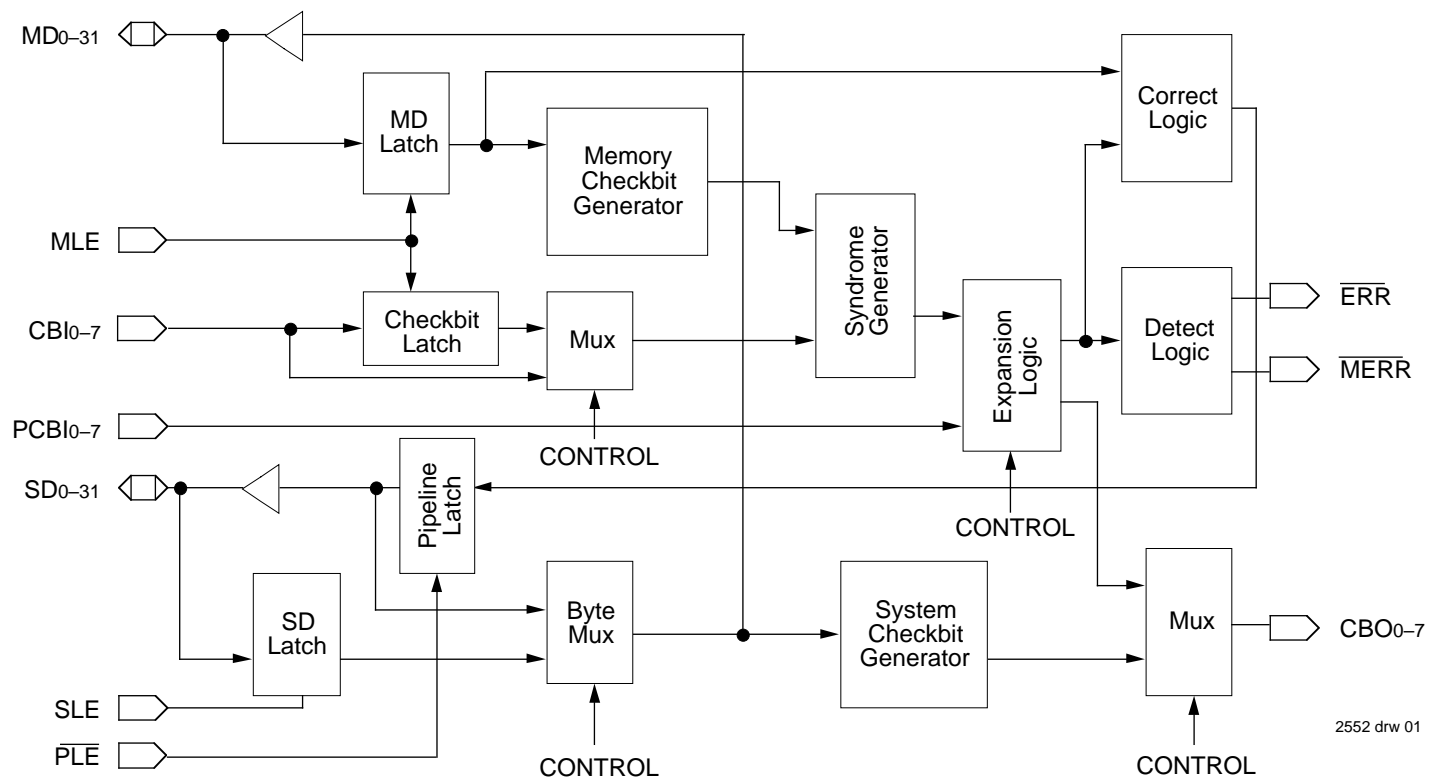
## DESCRIPTION

The IDT49C465/A is a 32-bit, two-data bus, Flow-thruEDC unit. The chip provides single-error correction and two and three bit error detection of both hard and soft memory errors. It can be expanded to 64-bit widths by cascading 2 units, without the need for additional external logic. The Flow-thruEDC has been optimized for speed and simplicity of control.

The EDC unit has been designed to be used in either of two configurations in an error correcting memory system. The bidirectional configuration is most appropriate for systems using bidirectional memory buses. A second system configuration utilizes external octal buffers, and is well suited for systems using memory with separate I/O buses.

The IDT49C465/A supports partial word writes, pipelining and error diagnostics. It also provides parity protection for data on the system side.

## SIMPLIFIED FUNCTIONAL BLOCK DIAGRAM



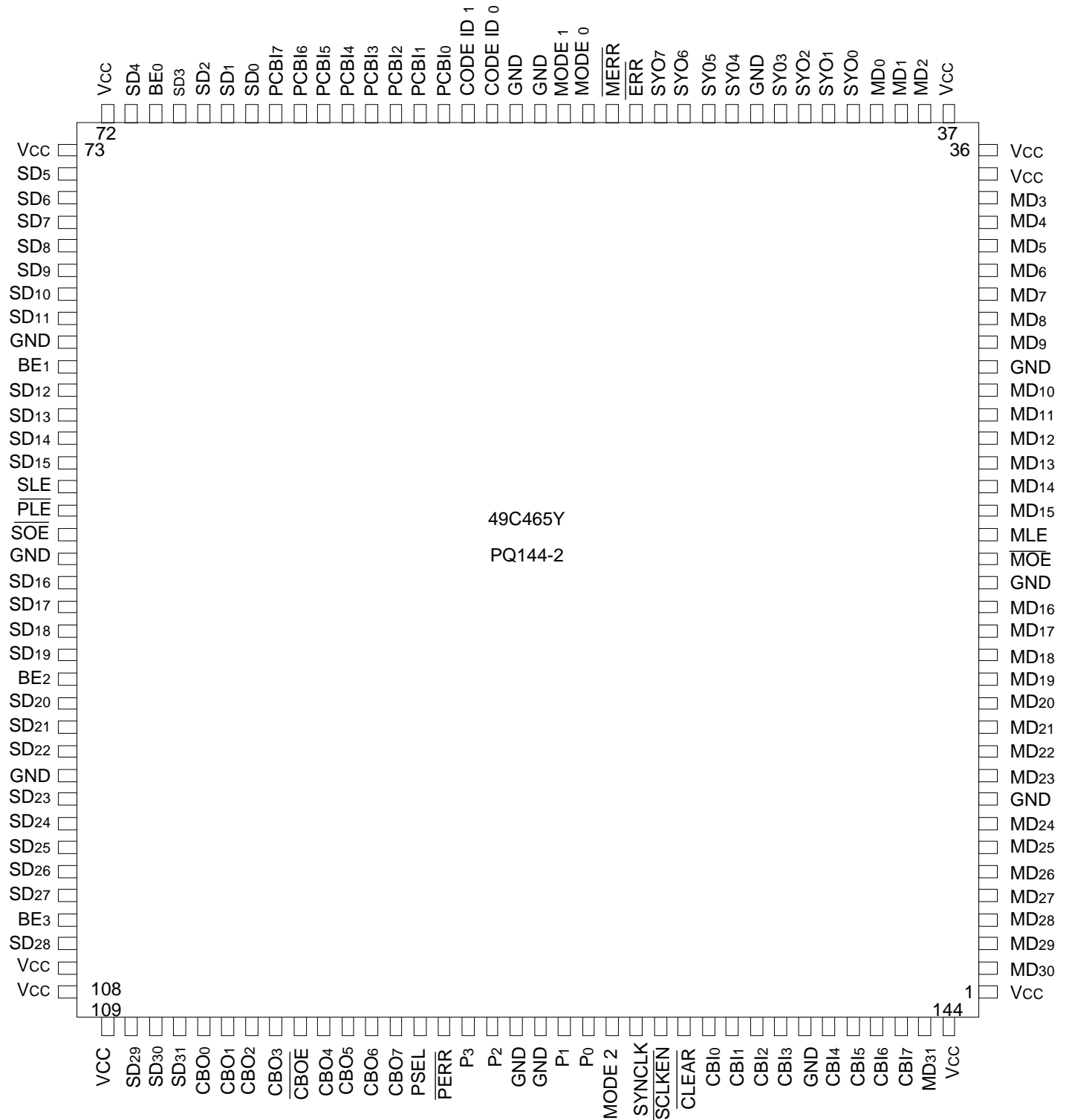
2552 drw 01

The IDT logo is a registered trademark and Flow-thruEDC is a trademark of Integrated Device Technology Inc.

MILITARY AND COMMERCIAL TEMPERATURE RANGES

AUGUST 1995

**PIN CONFIGURATION**



2552 drw 02

**PQFP  
TOP VIEW**

**PIN CONFIGURATION**

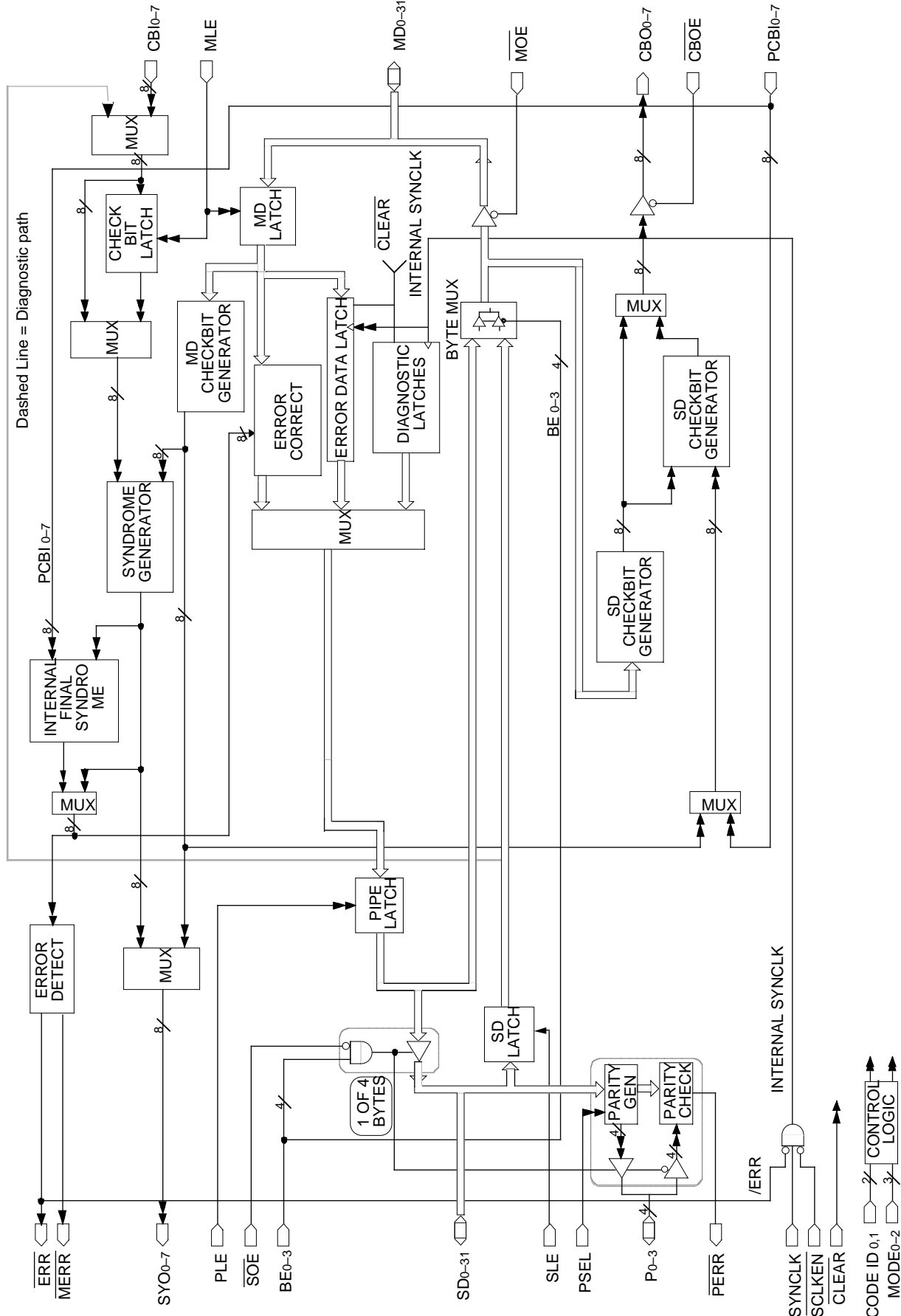
15	VCC	SD 2	PCBI 6	PCBI 5	PCBI 3	CODE ID 1	CODE ID 0	MODE 1	$\overline{\text{MERR}}$	$\overline{\text{ERR}}$	SYO 5	SYO 3	SYO 1	MD 1	VCC	
14	SD 6	SD 4	SD 1	PCBI 7	PCBI 4	PCBI 1	PCBI 0	MODE 0	SYO 6	SYO 4	SYO 2	MD 0	MD 2	VCC	MD 5	
13	SD 9	SD 5	BE 0	SD 3	SD 0	PCBI 2	GND	GND	SYO 7	GND	SYO 0	VCC	MD 3	MD 6	MD 9	
12	SD 11	SD 7	VCC	G144-2										MD 4	MD 8	GND
11	SD 12	SD 10	SD 8											MD 7	MD 10	MD 11
10	SD 15	BE 1	GND											MD 12	MD 13	MD 15
9	SLE	SD 13	SD 14											$\overline{\text{MOE}}$	MD 14	MLE
8	$\overline{\text{SOE}}$	$\overline{\text{PLE}}$	GND											GND	MD 17	MD 16
7	SD 17	SD 19	SD 16											MD 20	MD 21	MD 18
6	SD 18	BE 2	SD 20											GND	MD 23	MD 19
5	SD 21	SD 22	SD 25	NC*			MD 27	MD 25	MD 22							
4	GND	SD 24	BE 3				VCC	MD 28	MD 24							
3	SD 23	SD 26	SD 28	VCC	CB0 0	$\overline{\text{CBOE}}$	CB0 7	GND	GND	$\overline{\text{SCLK EN}}$	GND	CB1 6	CB1 7	MD 30	MD 26	
2	SD 27	VCC	SD 29	SD 31	CB0 2	CB0 4	CB0 6	P3	MODE 2	SYN-CLK	CB1 0	CB1 3	CB1 4	MD 31	MD 29	
1	VCC	SD 30	CB0 1	CB0 3	CB0 5	PSEL	$\overline{\text{PERR}}$	P2	P1	P0	$\overline{\text{CLEAR}}$	CB1 1	CB1 2	CB1 5	VCC	
	A	B	C	D	E	F	G	H	J	K	L	M	N	P	R	

\*Tied to Vcc internally

**PGA (CAVITY UP)  
TOP VIEW**

2552 drw 03

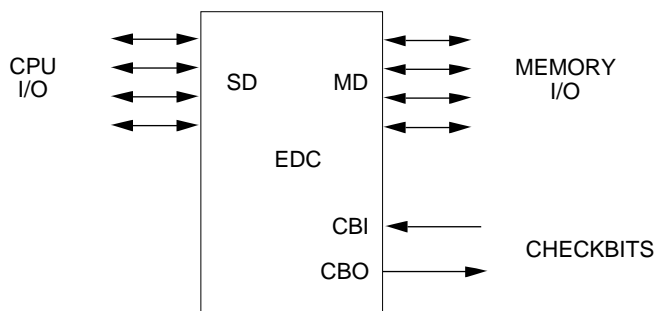
DETAILED FUNCTIONAL BLOCK DIAGRAM



## SYSTEM CONFIGURATIONS

The IDT49C465 EDC unit can be used in various configurations in an EDC system. The basic configurations are shown below.

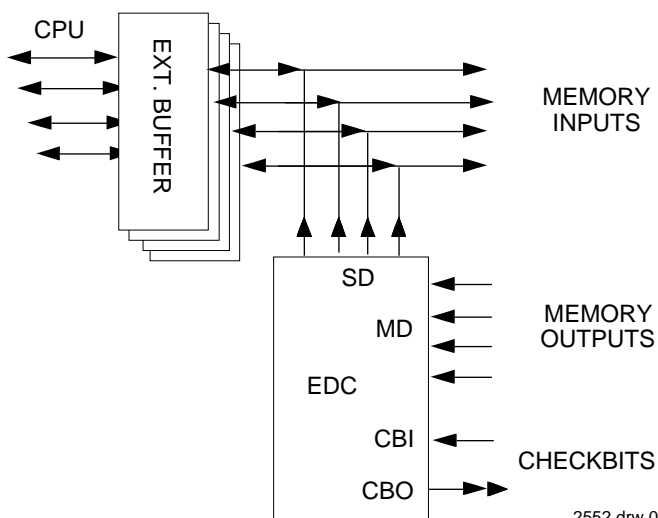
Figure 1 illustrates a bidirectional configuration, which is most appropriate for systems using bidirectional memory buses. It is the simplest configuration to understand and use. During a correction cycle, the corrected data word can be simultaneously output on both the system bus and memory bus. Logically, no other parts are required for the correction function. During partial-word-write operations, the new bytes are internally combined with the corrected old bytes for checkbit generation and writing to memory.



2552 drw 05

Figure 1. Common I/O Configuration

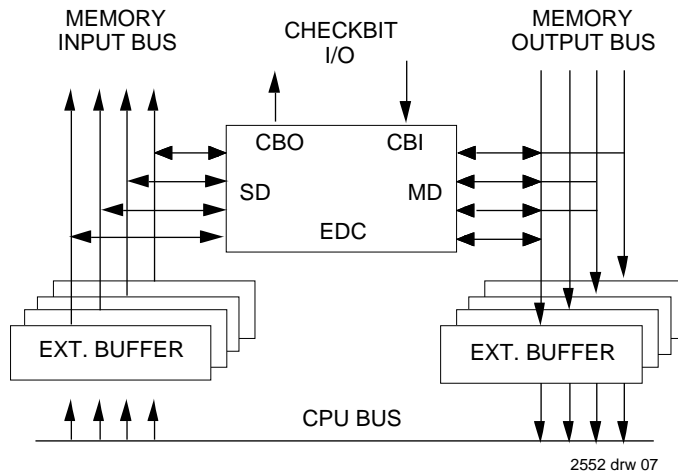
Figure 2 illustrates a separate I/O configuration. This is appropriate for systems using separate I/O memory buses. This configuration allows separate input and output memory buses to be used. Corrected data is output on the SD outputs for the system and for re-write to memory. Partial word-write bytes are combined externally for writing and checkbit generation.



2552 drw 06

Figure 2. Separate I/O Configuration

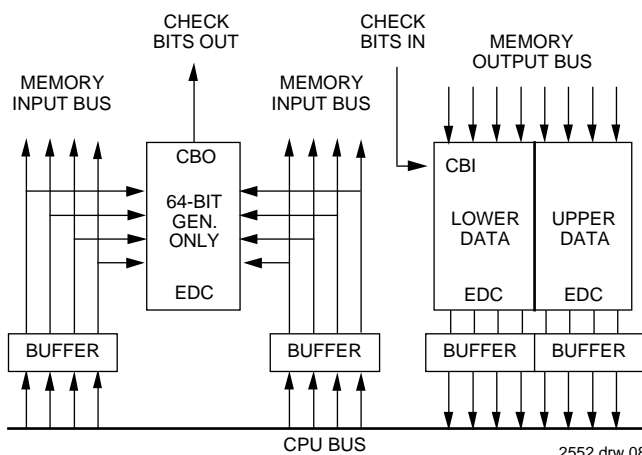
Figure 3 illustrates a third configuration which utilizes external buffers and is also well suited for systems using memory with separate I/O buses. Since data from memory does not need to pass through the part on every cycle, the EDC system may operate in "bus-watch" mode. As in the separate I/O configuration, corrected data is output on the SD outputs.



2552 drw 07

Figure 3. Bypassed Separate I/O Configuration

Figure 4 illustrates the single-chip generate-only mode for very fast 64-bit checkbit generation in systems that use separate checkbit-generate and detect-correct units. If this is not desired, 64-bit checkbit generation and correction can be done with just 2 EDC units. 64-bit correction is also straightforward, fast and requires no extra hardware for the expansion.



2552 drw 08

Figure 4. Separate Generate/Correction Units with 64-Bit Checkbit Generation

## FUNCTIONAL DESCRIPTION

The error detection/correction codes consist of a modified Hamming code; it is identical to that used in the IDT49C460.

### 32-BIT MODE (CODE ID 1,0=00)

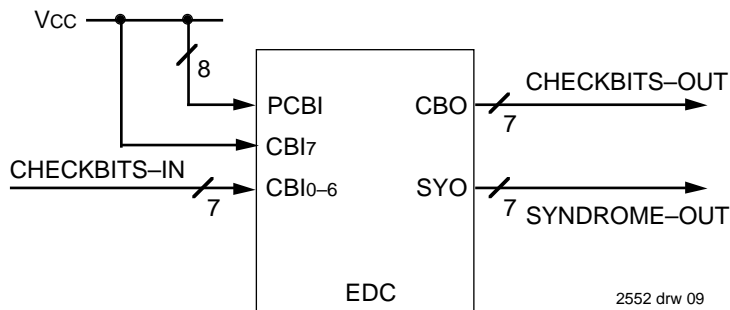


Figure 5. 32-Bit Mode

### 64-BIT MODE (CODE ID 1,0=10 & 11)

The expansion bus topology is shown in Figure 6. This topology allows the syndrome bits used by the correction logic to be generated simultaneously in both parts used in the expansion. During a 64-bit detection or correction operation,

“Partial-Checkbit” data and “Partial-Syndrome” data is simultaneously exchanged between the two EDC units in opposite directions on dedicated expansion buses. This results in very short 64-bit detection and correction times.

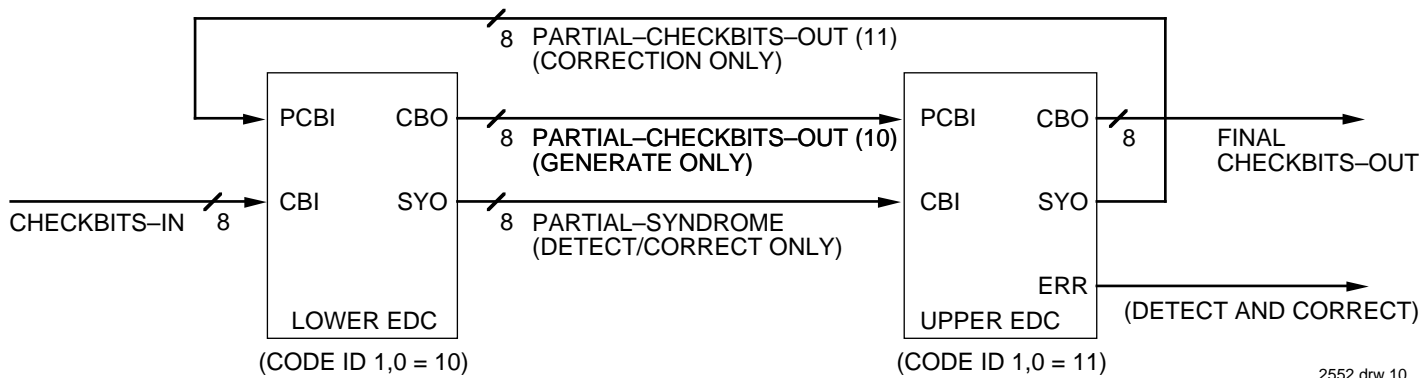


Figure 6. 64-Bit Mode — 2 Cascaded IDT49C465 Devices

### 64-BIT GENERATE-ONLY MODE (CODE ID 1,0=01)

If the Identity pins CODE ID 1,0=01, a single EDC is placed in the 64-bit “Generate-only” mode. In this mode, the lower 32 bits of the 64-bit data word enter the device on the MD0-31 inputs and the upper 32-bits of the 64 bit data word enter the

device on the SD0-31 inputs. This provides the device with the full 64-bit word from memory. The resultant generated checkbits are output on the CBO0-7 outputs. The generate time is less than that resulting from using a 2-chip cascade.

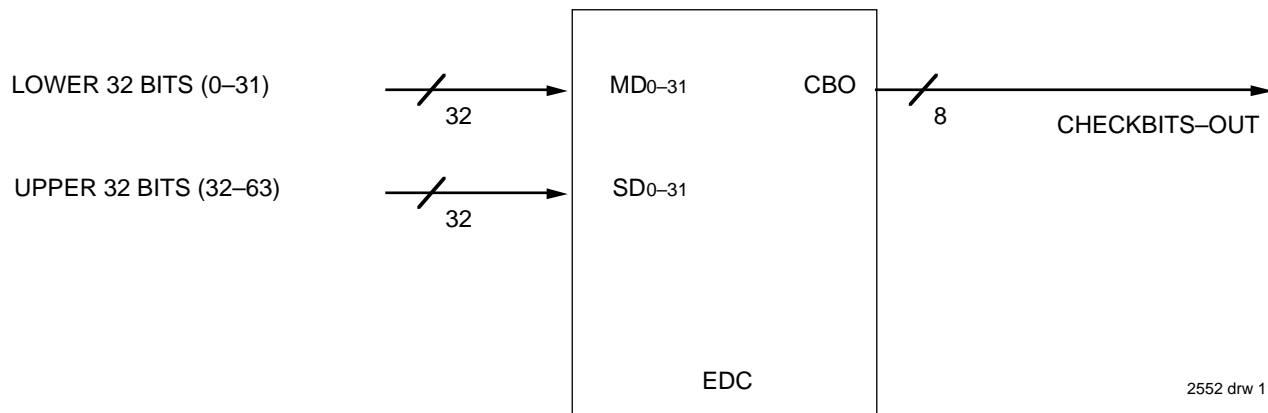


Figure 7. 64-Bit “Generate-Only” Mode (Single Chip)

**PIN DESCRIPTIONS**

Symbol	I/O		Name and Function
<b>I/O Buses and Controls</b>			
SD0-7 SD8-15 SD16-23 SD24-31	I/O		<p><b>System Data Bus:</b> Data from MD0-31 appears at these pins corrected if MODE 2-0 = x11, or uncorrected in the other modes. The BE<sub>n</sub> inputs must be high and the <math>\overline{SOE}</math> pin must be low to enable the SD output buffers during a read cycle. (Also, see diagnostic section.)</p> <p><b>Separate I/O memory systems:</b> In a write or partial-write cycle, the byte not-to-be-modified is output on SD<sub>n</sub> to n+7 for re-writing to memory, if BE<sub>n</sub> is high and SOE is low. The new bytes to be written to memory are input on the SD<sub>n</sub> pins, for writing checkbits to memory, if BE<sub>n</sub> is low.</p> <p><b>Bi-directional memory systems:</b> In a write or partial-write cycle, the byte not-to-be-modified is re-directed to the MD I/O pins, if BE<sub>n</sub> is high, for checkbit generation and rewriting to memory via the MD I/O pins. <math>\overline{SOE}</math> must be high to avoid enabling the output drivers to the system bus in this mode. The new bytes to be written are input on the SD<sub>n</sub> pins for checkbit generation and writing to memory. BE<sub>n</sub> must be low to direct input data from the System Data bus to the MD I/O pins for checkbit generation and writing to the checkbit memory.</p>
SLE	I		<p><b>System Latch Enable:</b> SLE is an input used to latch data at the SD inputs. The latch is transparent when SLE is high; the data is latched when SLE is low.</p>
$\overline{PLE}$	I		<p><b>Pipeline Latch Enable:</b> <math>\overline{PLE}</math> is an input which controls a pipeline latch, which controls data to be output on the SD bus and the MD bus during byte merges. Use of this latch is optional. The latch is transparent when <math>\overline{PLE}</math> is low; the data is latched when <math>\overline{PLE}</math> is high.</p>
$\overline{SOE}$	I		<p><b>System Output Enable:</b> When low, enables System output drivers and Parity output drivers if corresponding Byte Enable inputs are high.</p>
BE0-3	I		<p><b>Byte Enables:</b> In systems using separate I/O memory buses, BE<sub>n</sub> is used to enable the SD and Parity outputs for byte n. The BE<sub>n</sub> pins also control the "Byte mux". When BE<sub>n</sub> is high, the corrected or uncorrected data from the Memory Data latch is directed to the MD I/O pins and used for checkbit generation for byte n. This is used in partial-word-write operations or during correction cycles. When BE<sub>n</sub> is low, the data from the System Data latch is directed to the MD I/O pins and used for checkbit generation for byte n.</p> <p style="text-align: center;">BE0 controls SD0-7                      BE2 controls SD16-23 BE1 controls SD8-15                    BE3 controls SD24-31</p>
MD0-31	I/O		<p><b>Memory Data Bus:</b> These I/O pins accept a 32-bit data word from main memory for error detection and/or correction. They also output corrected old data or new data to be written to main memory when the EDC unit is used in a bi-directional configuration.</p>
MLE	I		<p><b>Memory Latch Enable:</b> MLE is used to latch data from the MD inputs and checkbits from the CBI inputs. The latch is transparent when MLE is high; data is latched when MLE is low. When identified as the upper slice in a 64-bit cascade, the checkbit latch is bypassed.</p>
$\overline{MOE}$	I		<p><b>Memory Output Enable:</b> <math>\overline{MOE}</math> enables Memory Data Bus output drivers when low.</p>
P0-3	I/O		<p><b>Parity I/O:</b> The parity I/O pins for Bytes 0 to 3. These pins output the parity of their respective bytes when that byte is being output on the SD bus. These pins also serve as parity inputs and are used in generating the Parity ERRor (<math>\overline{PERR}</math>) signal under certain conditions (see Byte Enable definition). The parity is odd or even depending on the state of the Parity SElect pin (PSEL).</p>
PSEL	I		<p><b>Parity SElect:</b> If the Parity SElect pin is low, the parity is even. If the Parity SElect pin is high, the parity is odd.</p>
<b>Inputs</b>			
CBI0-7	I		<p><b>CheckBits-In (00)                      CheckBits-In-1 (10)                      Partial-Syndrom-In (11):</b> In a single EDC system or in the lower slice of a cascaded EDC system, these inputs accept the checkbits from the checkbit memory. In the upper slice in a cascaded EDC system, these inputs accept the "Partial-Syndrom" from the lower slice (Detect/Correct path).</p>
PCBI 0-7	I		<p><b>Partial-CheckBits-In (10)                      Partial-CheckBits-In (11):</b> In a single EDC system, these inputs are unused but should not be allowed to float. In a cascaded EDC system, the "Partial-Checkbits" used by the lower slice are accepted by these inputs (Correction path only). In the upper slice of a cascaded EDC system, "Partial-Checkbits" generated by the lower slice are accepted by these inputs (Generate path).</p>
CODE ID1,0	I		<p><b>CODE IDentity:</b> Inputs which identify the slice position/ functional mode of the IDT49C465.</p> <p>(00) Single 32-bit EDC unit                      (10) Lower slice of a 64-bit cascade (01) 64-bit "Checkbit-generate-only" unit                      (11) Upper slice of a 64-bit cascade</p>

2552 tbl 01

## PIN DESCRIPTIONS (Con't.)

Symbol	I/O		Name and Function
<b>Inputs (Con't.)</b>			
MODE 2-0	I	(x11) (x10) (000)  (x01)  (100)	<p><b>MODE select:</b> Selects one of four operating modes.</p> <p><b>“Normal” Mode:</b> Normal EDC operation (Flow-thru correction and generation).</p> <p><b>“Generate-Detect” Mode:</b> In this mode, error correction is disabled. Error generation and detection are normal.</p> <p><b>“Error-Data-Output” Mode:</b> Allows the uncorrected data captured from an error event by the Error-Data Register to be read by the system for diagnostic purposes. The Error-Data Register is cleared by toggling <math>\overline{\text{CLEAR}}</math> low. The Syndrome Register and Error-Data Register record the syndrome and uncorrected data from the first error that occurs after they are reset by the <math>\overline{\text{CLEAR}}</math> pin. The Syndrome Register and Error-Data Register are updated when there is a positive edge on SYNCLK, an error condition is indicated (<math>\overline{\text{ERR}} = \text{low}</math>), and the Error Counter indicates zero.</p> <p><b>All-Zero-Data Source:</b> In Error-Data-Output Mode, clearing the Error-Data Register provides a source of all-zero-data for hardware initialization of memory, if this desired.</p> <p><b>Diagnostic-Output Mode:</b> In this mode, the contents of the Syndrome Register, Error Counter and Error-Type Register are output on the SD bus. This allows the syndrome bytes for an indicated error to be read by the system for error-logging purposes. The Syndrome Register and the Error-Data Register are updated when there is a positive edge on SYNCLK, an error condition is indicated and the Error Counter indicates zero errors. Thus, the Syndrome Register saves the syndrome that was present when the first error occurred after the Error Counter was cleared. The Syndrome Register and the Error Counter are cleared by toggling <math>\overline{\text{CLEAR}}</math> low. The Error Counter lets the system tell if more than one error has occurred since the last time the Syndrome Register or Error-Data Register was read.</p> <p><b>Checkbit-Injection Mode:</b> In the “Checkbit-Injection” Mode, diagnostic checkbits may be input on System Data Bus bits 0-7 (see Diagnostic Features - Detailed Description).</p>
$\overline{\text{CLEAR}}$	I		<b>CLEAR:</b> When the $\overline{\text{CLEAR}}$ pin is taken low, the Error-Data Register, the Syndrome Register, the Error Counter and the Error-Type Register are cleared.
SYNCLK	I		<b>SYndrome CLock:</b> If $\overline{\text{ERR}}$ is low, and the Error Counter indicates zero errors, syndrome bits are clocked into the Syndrome Register and data from the outputs of the Memory Data input latch are clocked into the Error-Data Register on the low-to-high edge of SYNCLK. If $\overline{\text{ERR}}$ is low, the Error Counter will increment on the low-to-high edge of SYNCLK, unless the Error Counter indicates fifteen errors.
$\overline{\text{SCLKEN}}$	I		<b>SynCLK ENable:</b> The $\overline{\text{SCLKEN}}$ enables the SYNCLK signal. SYNCLK is ignored if $\overline{\text{SCLKEN}}$ is high.
<b>Outputs and Enables</b>			
CBO0-7	O		<b>CheckBits-Out (00, 01) Partial-CheckBits-Out (10) Checkbits-Out (11):</b> In a single EDC system, the checkbits are output to the checkbit memory on these outputs. In the lower slice in a cascaded EDC system, the “Partial-checkbits” used by the upper slice are output by these outputs (Generate path only). In the upper slice in a cascade, the “Final-Checkbits” appear at these outputs (Generate path only).
$\overline{\text{CBOE}}$	I		<b>CheckBits Out Enable:</b> Enables CheckBit Output drivers when low.
SYO0-7	O		<b>Syndrom-Out (00) Partial-Syndrom-Out (10) Partial-Checkbits-Out (11):</b> In a 32-bit EDC system, the syndrome bits are output on these pins. In the lower slice in a 64-bit cascaded system, the “Partial-Syndrom” bits appear at these outputs (Detect/ Correct path). In the upper slice in a cascaded EDC system, the “Partial-Checkbits” appear at these outputs (Correct path only). In a 64-bit cascaded system, the “Final-Syndrom” may be accessed in the “Diagnostic-Output” Mode from either the lower or the upper slice since the final syndrome is contained in both.
$\overline{\text{ERR}}$	O		<b>ERROR:</b> When in “Normal” and “Detect only” modes, a low on this pin indicates that one or more errors have been detected. $\overline{\text{ERR}}$ is not gated or latched internally.
$\overline{\text{MERR}}$	O		<b>Multiple ERROR:</b> When in “Normal” and “Detect only” modes, a low on this pin indicates that two or more errors have been detected. $\overline{\text{MERR}}$ is not gated or latched internally.
$\overline{\text{PERR}}$	O		<b>Parity ERROR:</b> A low on this pin indicates a parity error which has resulted from the active bytes defined by the 4 Byte Enable pins. Parity ERROR ( $\overline{\text{PERR}}$ ) is not gated or latched internally (see Byte Enable definition).
<b>Power Supply Pins</b>			
Vcc 1-10	P		+5 Volts
GND1-12	P		Ground

2552 tbl 02



## DIAGNOSTIC DATA FORMAT (SYSTEM BUS)

Latched Data														Data Out (Unlatched)																			
Error Type		Re-served		Error Counter				Syndrome bits						Partial Checkbits						Checkbits													
Byte 3				Byte 2						Byte 1						Byte 0																	
S	M	-	-	2 <sup>3</sup>	2 <sup>2</sup>	2 <sup>1</sup>	2 <sup>0</sup>	7	6	5	4	3	2	1	0	7	6	5	4	3	2	1	0	7	6	5	4	3	2	1	0		
31	30			27				24	23							16	15																0

2552 drw 12

## DIAGNOSTIC FEATURES — DETAILED DESCRIPTION

Mode 2-0	
x11	<p><b>“NORMAL” Mode</b> In this mode, operation is “Normal” or non-diagnostic.</p>
x10	<p><b>“GENERATE-DETECT” Mode</b> When the EDC unit is in the <b>“Generate-Detect” Mode</b>, data is not corrected or altered by the error correction network. (Also referred to as the “Detect-only” Mode.)</p>
000	<p><b>“ERROR-DATA-OUTPUT” Mode</b> In this mode, the 32-bit data from the Error-Data Register is output on the SD bus.</p> <p><b>Error Data Register:</b> The uncorrected data from the Memory Data bus input latch is stored in the Error-Data Register if the error counter contents indicates “0” and there is a positive transition on the SYNCLK input when the ERR signal is low. Thus, the Error-Data Register contains memory data corresponding to the first error to occur since the register was cleared. This register is cleared by pulling the CLEAR input low. The register is read via the System Data bus by entering the <b>“Error-Data-Output” Mode</b> and enabling the System Data bus output drivers.</p> <p><b>All-Zero-Data:</b> The Error-Data Register can be used as an “all-zero-data” data source for memory initialization in systems where the initialization process is to be done entirely by hardware.</p>
x01	<p><b>“DIAGNOSTIC-OUTPUT” Mode</b> In this mode, data from the diagnostic registers, the PCBI bus and the CBI bus is output on the SD bus.</p> <p><b>Direct Checkbit Readback:</b> Internal data paths allow both the “Partial-CheckBit-Input” bus and the data in the “CheckBit-Input” latch to be read directly by the system bus for diagnostic purposes. Both the Checkbit Input Bus and the Partial Checkbit Input Bus are read via the System Data bus by entering the <b>“Diagnostic-Output” Mode</b> and enabling the System Data bus output drivers. The checkbits are output on System Data bus bits 0-7; the Partial Checkbits are output on bits 8-15.</p> <p><b>Syndrome Register:</b> After an error has been detected, the syndrome bits generated are clocked into the internal Syndrome Register if the error counter contents indicates “0” and there is a positive transition on the SYNCLK input when the ERR signal is low. This register is cleared by pulling the CLEAR input low. The register is read via the System Data bus by entering the <b>“Diagnostic-Output” Mode</b> and enabling the System Data bus outputs. This data is output on SD bits 16-23.</p> <p><b>Error Counter:</b> The 4-bit on-board error counter is incremented if the error counter contents do not indicate FF HEX, which corresponds to a count of 15, and there is a positive transition on the SYNCLK input when the ERR signal is low. This counter is cleared by pulling the CLEAR input low. The counter is read via the System Data bus by entering the <b>“Diagnostic-Output” Mode</b> and enabling the System Data bus output drivers. This data is output on System Data bus bits 24-27.</p> <p><b>Test Register:</b> These 2 bits are reserved for factory diagnostics only and must not be used by system software. This data is output on System Data bus bits 28-29.</p> <p><b>Error-Type Register:</b> The Error-Type Register, clocked by the SYNCLK input, saves 2 bits which indicate whether a recorded error was a single or a multiple-bit error. This register holds only the first error type to occur after the last Clear operation. This data is output on System Data bus bits 30-31.</p>
100	<p><b>Direct Read-Path Checkbit Injection:</b> In the <b>“Checkbit-Injection” Mode</b>, bits 0-7 of the System Data input latch are presented to the inputs of the Checkbit Input latch. If MLE is strobed, the checkbit latch will be loaded with this value in place of the checkbits from memory. By inserting various checkbit values, operation of the correction function of the EDC can be verified “on-board”. Except for the “Checkbit-Injection” function, operation in this mode is identical to “Normal” Mode operation.</p>

2552 tbl 03

## OPERATING MODE CHARTS

### SLICE IDENTIFICATION

CODE ID 1	CODE ID 0	Slice Definition
0	0	32-bit Flow-Thru EDC
0	1	64-bit GENERATE Only EDC
1	0	64-bit EDC- Lower 32 bits (0-31)
1	1	64-bit EDC- Upper 32 bits (32-63)

2552 tbl 04

### SLICE POSITION CONTROL

CODE ID	Slice Position/ Functional Operation	Checkbit Buses									
		SOE	SD Bus	MOE	MD Bus	PCBI Bus	CBI Bus	CBO Bus	SYO Bus	P Bus	PERR
1 0	Width =		32		32	8	8	8	8	4	1
0 0	Single 32-bit EDC unit Generate <sup>(1)</sup> Detect/Correct <sup>(2)</sup>	1	Sys. 0–31	0	Sys. Byte Mux	—	—	CBs out	—	P in	active
		0	Pipe. latch	1	MD 0–31	—	CBs in	—	Syn. out	P out	—
0 1	“64-bit Generate-only”	1	Sys. 32–63	1	Sys. 0–31	—	—	CBs out	—	—	—
1 0	Lower word, 64-bit bus Generate <sup>(1)</sup> Detect/Correct <sup>(2)</sup>	1	Sys. 0–31	0	MD 0–31	—	—	PCBs out	—	P in	active
		0	Pipe. latch	1	MD 0–31	U-SYOout	CBs in	—	Par.Synd	P out	—
1 1	Upper word, 64-bit bus Generate <sup>(1)</sup> Detect/Correct <sup>(2)</sup>	1	Sys. 32–63	0	MD 32–63	L-CBOout	—	F.CBs out	—	P in	active
		0	Pipe. latch	1	MD 32–63	—	L-SYOout	—	Par.Cbits	P out	—

**NOTES:**

1. Checkbits generated from the data in the SD Latch.
2. Corrected data residing in the Pipe Latch.

2552 tbl 05

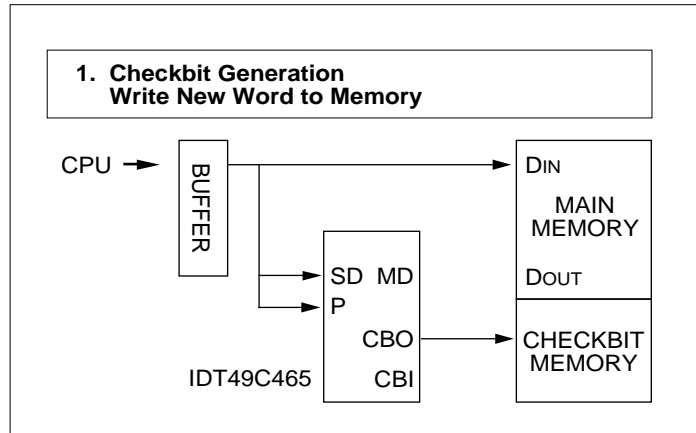
### FUNCTIONAL MODE CONTROL

MODE			Functional Mode of SD Bus	Checkbit Buses									
				SOE	SD Bus	MOE	MD Bus	PCBI Bus	CBI Bus	CBO Bus	SYO Bus	P Bus	PERR
2	1	0	Width =		32		32	8	8	8	8	4	1
x	1	1	“Normal” Generate Correct	1	CPU Data	0	Pipe. latch	—	—	CB out	—	P in	active
				0	Pipe. latch	1	RAM Data	—	CB in	—	—	P out	—
x	1	0	“Generate-Detect” Generate Detect	1	CPU Data	0	Pipe. latch	—	—	CB out	—	P in	active
				0	Pipe. latch	1	RAM Data	—	CB in	—	—	P out	—
0	0	0	“Error-Data-Output”	0	Err. D. latch	—	—	—	—	—	—	—	—
x	0	1	“Diagnostic-Output”	0	CBin latch PCBin bus Syn. register Err. counter Er. type reg.	—	—	PCBI in	CB in	—	—	—	—
1	0	0	“Checkbit-Injection” Generate Inject Checkbits Correct	1	SDin latch	0	Pipe. latch	—	—	CB out	—	P in	active
				1	SD0–7 in	0	Pipe. latch	—	—	—	—	—	—
				0	Pipe. latch	1	RAM Data	—	CB in	—	—	P out	—

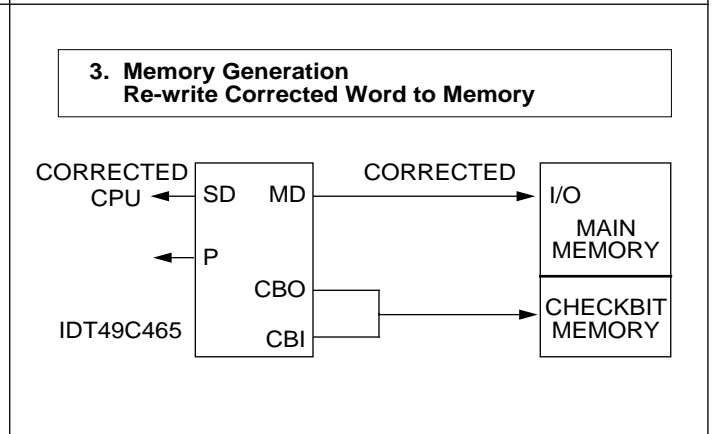
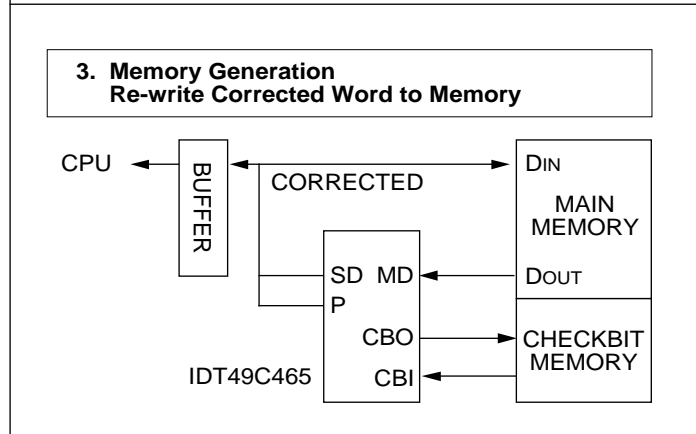
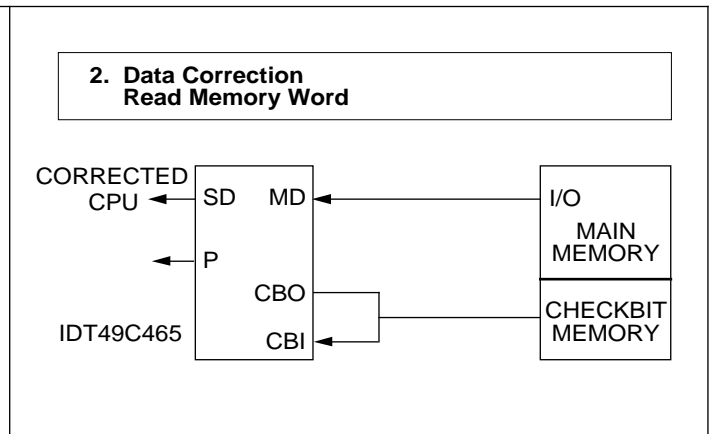
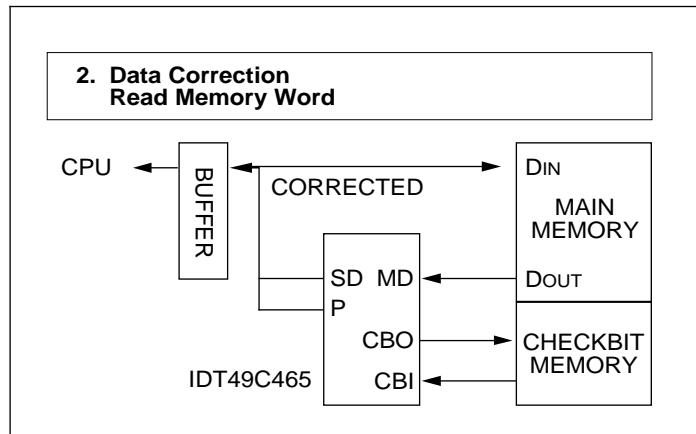
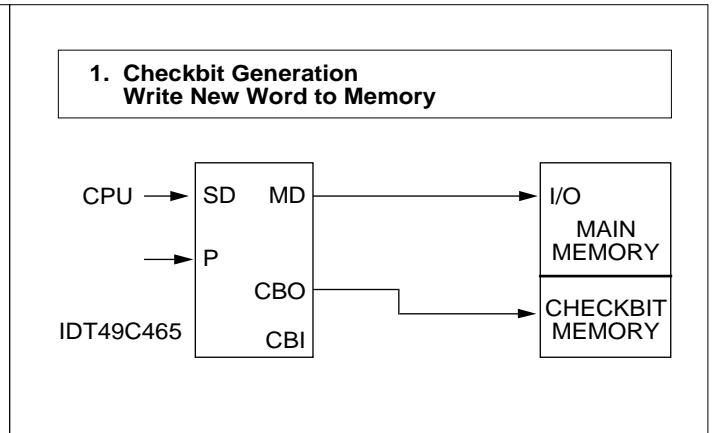
2552 tbl 06

## PRIMARY DATA PATH vs. MEMORY CONFIGURATION

### SEPARATE I/O MEMORIES:



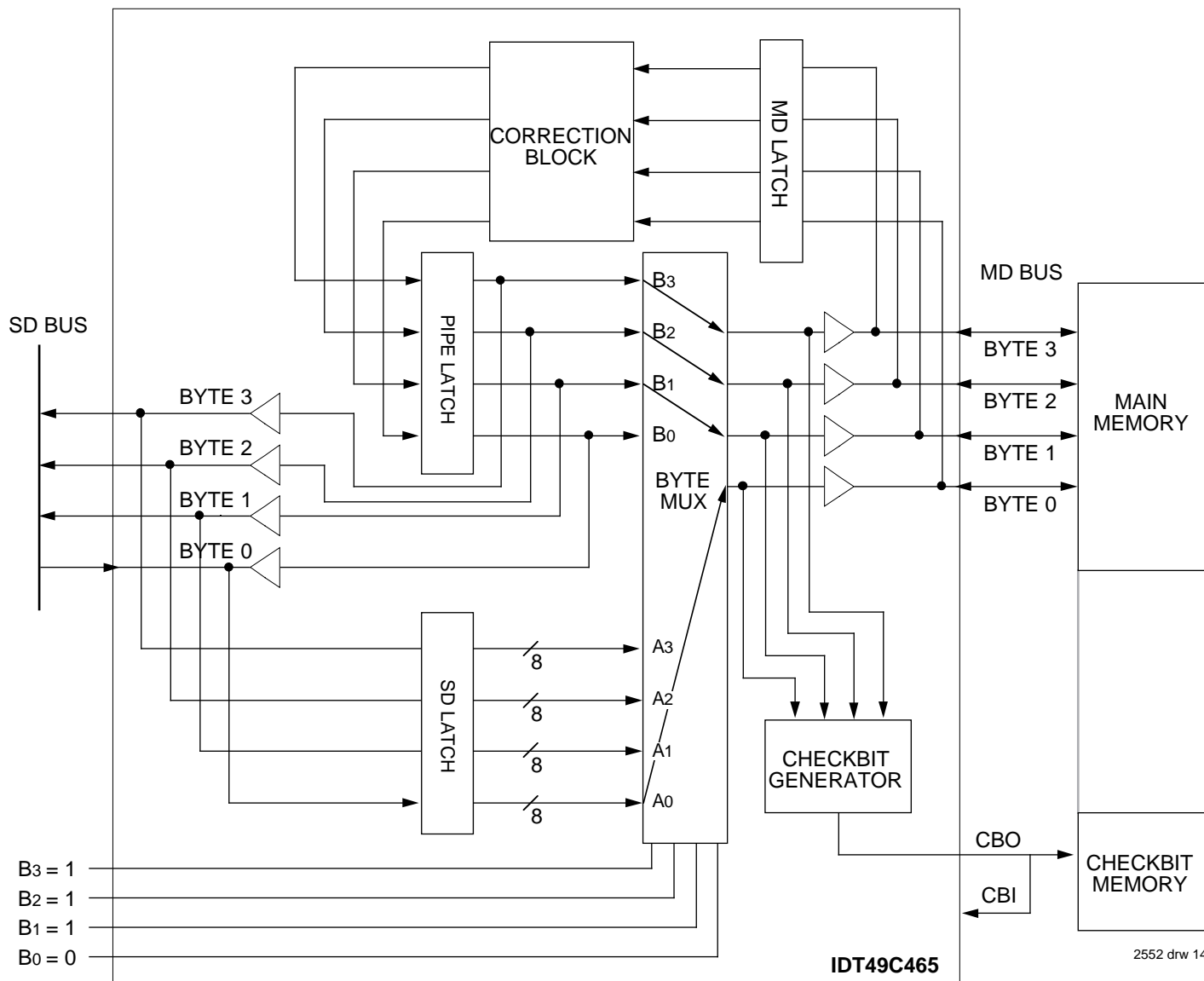
### COMMON I/O MEMORIES:



2552 drw 13

## PARTIAL-WORD-WRITE OPERATIONS

FOR COMMON I/O MEMORIES:



In order to perform a partial-word-write operation, the complete word in question must be read from memory. This must be done in order to correct any error which may have occurred in the old word. Once the complete, corrected word is available, with all the bytes verified, the new word may be assembled in the byte mux and the new checkbits generated.

The example shown above illustrates the case of combining 3 bytes from an old word with a new lower order byte to form a new word. The new word, along with the new checkbits, may now be written to memory.

In the separate I/O memory configuration, the situation is similar except that the new word is output on the SD Bus instead of the MD Bus (refer to previous page).

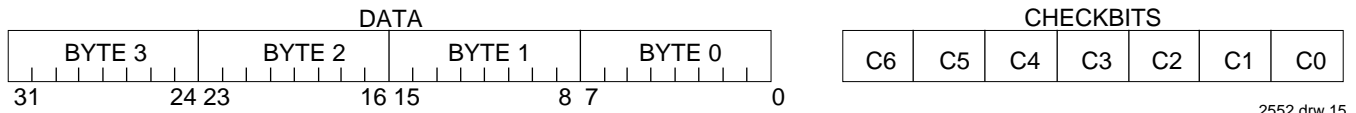
### 32-BIT DATA WORD CONFIGURATION

A single IDT49C465 EDC unit, connected as shown below, provides all the logic needed for single-bit error correction, and double-bit error detection, of a 32-bit data field. The identification code (00) indicates 7 checkbits are required. The CBI7 pin should be tied high.

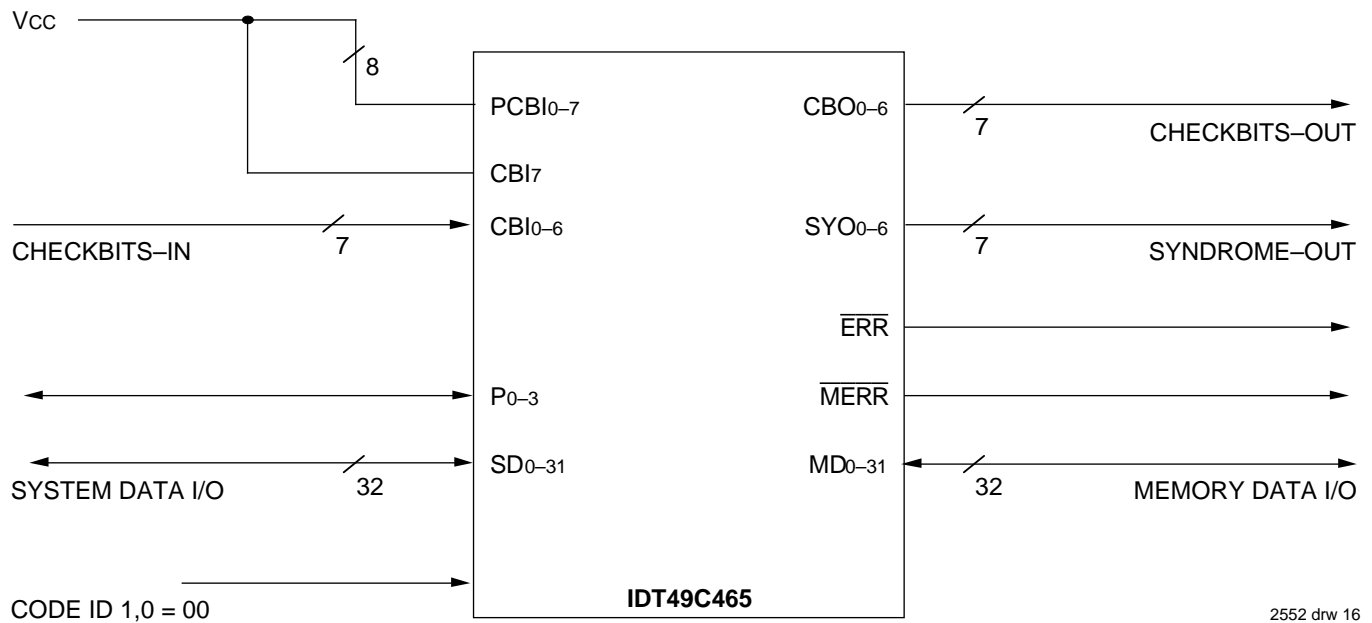
The 39-bit data format for four bytes of data and 7 checkbits is indicated below.

Syndromes bits are generated by an exclusive-OR of the generated checkbits with the checkbits read from memory. For example,  $S_n$  is the XOR of checkbits from those read with those generated. During Data Correction, the syndrome bits are used to complement (correct) single-bit errors in the data bits.

### 32-BIT DATA FORMAT



### 32-BIT HARDWARE CONFIGURATION



### 64-BIT DATA WORD CONFIGURATION

Two IDT49C465 EDC units, connected as shown below, provide all the logic needed for single-bit error correction, and double-bit error detection, of a 64-bit data field. The "Slice Identification" Table gives the CODE ID1,0 values needed for distinguishing the upper 32 bits from the lower 32 bits. Final generated checkbits,  $\overline{ERR}$  and  $\overline{MERR}$  (indicates multiple errors) signals come from the upper slice, the IC with CODE ID1,0=11. Control signals not shown are connected to both units in parallel.

Data-In bits 0 through 31 are connected to the same numbered inputs of the EDC with CODE ID1,0=10, while Data-In bits 32 through 63 are connected to data inputs 0 to 31, respectively, for the EDC unit with CODE ID1,0=11.

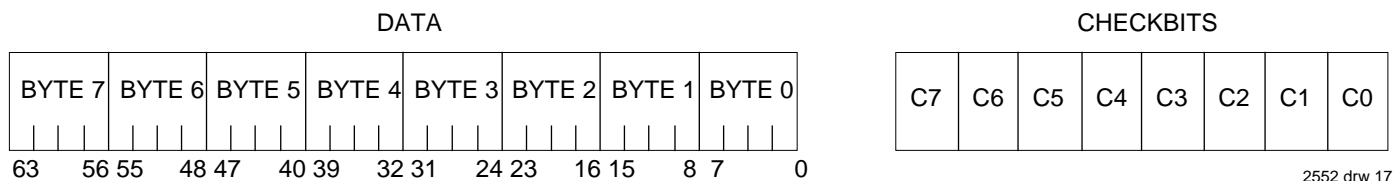
The 72-bit data format of data and checkbits is indicated below.

Correction of single-bit errors in the 64-bit configuration requires a simultaneous exchange of partial checkbits and partial syndrome bits between the upper and lower units.

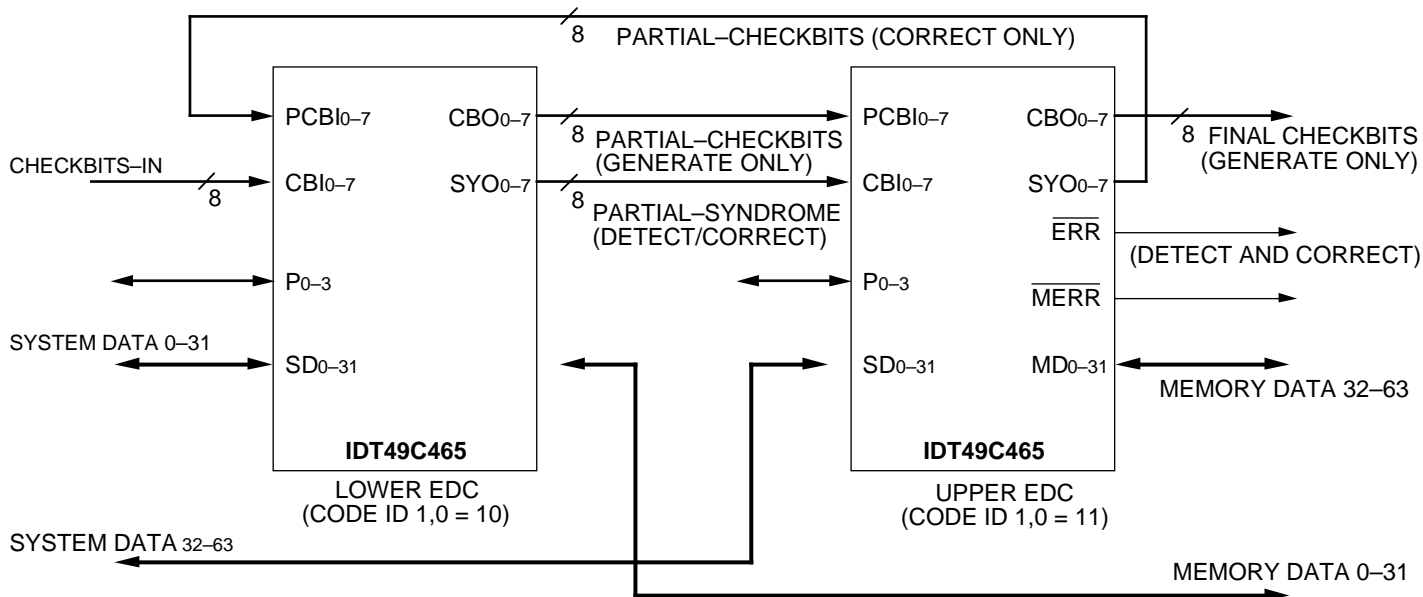
Syndrome bits are generated by an exclusive-OR of the generated checkbits with the checkbits read from memory. For example,  $S_n$  is the XOR of checkbits read and checkbits generated. During data correction, the syndrome bits are used to complement (correct) single-bit errors in the data bits. For double or multiple-bit error detection, the data available as output by the Pipeline Latch is not defined.

Critical AC performance data is provided in the Table "Key AC Calculations", which illustrates the delays that are critical to 64-bit cascaded performance. As indicated, a summation of propagation delays is required when cascading these units.

### 64-BIT DATA FORMAT



### 64-BIT HARDWARE CONFIGURATION



## DEFINITIONS OF TERMS:

- D<sub>0</sub> – D<sub>31</sub> = System Data and/or Memory Data Inputs  
 CBI<sub>0</sub> – CBI<sub>7</sub> = Checkbit Inputs  
 PCB<sub>0</sub> – PCB<sub>7</sub> = Partial Checkbit Inputs  
 FS<sub>0</sub> – FS<sub>7</sub> = Final Internal Syndrome bits

## FUNCTIONAL EQUATIONS:

The equations below describe the terms used in the IDT49C465 to determine the values of the partial checkbits, checkbits, partial syndromes and final internal syndromes.

NOTE: All “⊕” symbols below represent the “EXCLUSIVE-OR” function.

$$PA = D_0 \oplus D_1 \oplus D_2 \oplus D_4 \oplus D_6 \oplus D_8 \oplus D_{10} \oplus D_{12} \oplus D_{16} \oplus D_{17} \oplus D_{18} \oplus D_{20} \oplus D_{22} \oplus D_{24} \oplus D_{26} \oplus D_{28}$$

$$PB = D_0 \oplus D_3 \oplus D_4 \oplus D_7 \oplus D_9 \oplus D_{10} \oplus D_{13} \oplus D_{15} \oplus D_{16} \oplus D_{19} \oplus D_{20} \oplus D_{23} \oplus D_{25} \oplus D_{26} \oplus D_{29} \oplus D_{31}$$

$$PC = D_0 \oplus D_1 \oplus D_5 \oplus D_6 \oplus D_7 \oplus D_{11} \oplus D_{12} \oplus D_{13} \oplus D_{16} \oplus D_{17} \oplus D_{21} \oplus D_{22} \oplus D_{23} \oplus D_{27} \oplus D_{28} \oplus D_{29}$$

$$PD = D_2 \oplus D_3 \oplus D_4 \oplus D_5 \oplus D_6 \oplus D_7 \oplus D_{14} \oplus D_{15} \oplus D_{18} \oplus D_{19} \oplus D_{20} \oplus D_{21} \oplus D_{22} \oplus D_{23} \oplus D_{30} \oplus D_{31}$$

$$PE = D_8 \oplus D_9 \oplus D_{10} \oplus D_{11} \oplus D_{12} \oplus D_{13} \oplus D_{14} \oplus D_{15} \oplus D_{24} \oplus D_{25} \oplus D_{26} \oplus D_{27} \oplus D_{28} \oplus D_{29} \oplus D_{30} \oplus D_{31}$$

$$PF = D_0 \oplus D_1 \oplus D_2 \oplus D_3 \oplus D_4 \oplus D_5 \oplus D_6 \oplus D_7 \oplus D_{24} \oplus D_{25} \oplus D_{26} \oplus D_{27} \oplus D_{28} \oplus D_{29} \oplus D_{30} \oplus D_{31}$$

$$PG = D_8 \oplus D_9 \oplus D_{10} \oplus D_{11} \oplus D_{12} \oplus D_{13} \oplus D_{14} \oplus D_{15} \oplus D_{16} \oplus D_{17} \oplus D_{18} \oplus D_{19} \oplus D_{20} \oplus D_{21} \oplus D_{22} \oplus D_{23}$$

$$PH_0 = D_0 \oplus D_4 \oplus D_6 \oplus D_7 \oplus D_8 \oplus D_9 \oplus D_{11} \oplus D_{14} \oplus D_{17} \oplus D_{18} \oplus D_{19} \oplus D_{21} \oplus D_{26} \oplus D_{28} \oplus D_{29} \oplus D_{31}$$

$$PH_1 = D_1 \oplus D_2 \oplus D_3 \oplus D_5 \oplus D_8 \oplus D_9 \oplus D_{11} \oplus D_{14} \oplus D_{17} \oplus D_{18} \oplus D_{19} \oplus D_{21} \oplus D_{24} \oplus D_{25} \oplus D_{27} \oplus D_{30}$$

$$PH_2 = D_0 \oplus D_4 \oplus D_6 \oplus D_7 \oplus D_{10} \oplus D_{12} \oplus D_{13} \oplus D_{15} \oplus D_{16} \oplus D_{20} \oplus D_{22} \oplus D_{23} \oplus D_{26} \oplus D_{28} \oplus D_{29} \oplus D_{31}$$

## CMOS TESTING CONSIDERATIONS

Special test board considerations must be taken into account when applying high-speed CMOS products to the automatic test environment. Large output currents are being switched in very short periods and proper testing demands that test set-ups have minimized inductance and guaranteed zero voltage grounds. The techniques listed below will assist the user in obtaining accurate testing results:

- 1) All input pins should be connected to a voltage potential during testing. If left floating, the device may oscillate, causing improper device operation and possible latchup.
- 2) Placement and value of decoupling capacitors is critical. Each physical set-up has different electrical characteristics and it is recommended that various decoupling capacitor sizes be experimented with. Capacitors should be positioned using the minimum lead lengths. They should also be distributed to decouple power supply lines and be placed as close as possible to the DUT power pins.
- 3) Device grounding is extremely critical for proper device testing. The use of multi-layer performance boards with radial decoupling between power and ground planes is necessary. The ground plane must be sustained from the performance board to the DUT interface board and wiring unused interconnect pins to the ground plane is recommended. Heavy gauge stranded wire should be used for power wiring, with twisted pairs being recommended for minimized inductance.
- 4) To guarantee data sheet compliance, the input thresholds should be tested per input pin in a static environment. To allow for testing and hardware-induced noise, IDT recommends using  $V_{IL} \leq 0V$  and  $V_{IH} \geq 3V$  for AC tests.

### DETAILED DESCRIPTION — CHECKBIT AND SYNDROME GENERATION vs. CODE ID

#### LOGIC EQUATIONS FOR THE CBO OUTPUTS

Checkbit Generation	CODE ID 1,0		
	00	10	11
	Final Chkbits	Partial Checkbits	Final Checkbits
CBO <sub>0</sub>	PH <sub>0</sub>	PH <sub>1</sub>	PH <sub>2</sub> ⊕ PCB <sub>10</sub>
CBO <sub>1</sub>	PA	PA	PA ⊕ PCB <sub>11</sub>
CBO <sub>2</sub>	$\overline{PB}$	$\overline{PB}$	PB ⊕ PCB <sub>12</sub>
CBO <sub>3</sub>	$\overline{PC}$	$\overline{PC}$	PC ⊕ PCB <sub>13</sub>
CBO <sub>4</sub>	PD	PD	PD ⊕ PCB <sub>14</sub>
CBO <sub>5</sub>	PE	PE	PE ⊕ PCB <sub>15</sub>
CBO <sub>6</sub>	PF	PF	PF ⊕ PCB <sub>16</sub>
CBO <sub>7</sub>	—	PF	PG ⊕ PCB <sub>17</sub>

2552 tbl 07

#### LOGIC EQUATIONS FOR THE SYO OUTPUTS

Checkbit/ Syndrome Generation	CODE ID 1,0		
	00	10	11
	Final Syndrome	Partial Syndrome	Partial Checkbits
SYO <sub>0</sub>	PH <sub>0</sub> ⊕ CBI <sub>0</sub>	PH <sub>1</sub> ⊕ CBI <sub>0</sub>	PH <sub>2</sub>
SYO <sub>1</sub>	PA ⊕ CBI <sub>1</sub>	PA ⊕ CBI <sub>1</sub>	PA
SYO <sub>2</sub>	$\overline{PB} \oplus CBI_2$	$\overline{PB} \oplus CBI_2$	PB
SYO <sub>3</sub>	$\overline{PC} \oplus CBI_3$	$\overline{PC} \oplus CBI_3$	PC
SYO <sub>4</sub>	PD ⊕ CBI <sub>4</sub>	PD ⊕ CBI <sub>4</sub>	PD
SYO <sub>5</sub>	PE ⊕ CBI <sub>5</sub>	PE ⊕ CBI <sub>5</sub>	PE
SYO <sub>6</sub>	PF ⊕ CBI <sub>6</sub>	PF ⊕ CBI <sub>6</sub>	PF
SYO <sub>7</sub>	—	PF ⊕ CBI <sub>7</sub>	PG

2552 tbl 08

#### LOGIC EQUATIONS FOR THE FINAL SYNDROME (FS<sub>n</sub>)

Final Syndrome Generation	CODE ID 1,0	
	00	10, 11
	Final Syndrome	Final Internal Syndrome
FS <sub>0</sub>	PH <sub>0</sub> ⊕ CBI <sub>0</sub>	PH <sub>1</sub> (L) ⊕ PH <sub>2</sub> (U) ⊕ CBI <sub>0</sub>
FS <sub>1</sub>	PA ⊕ CBI <sub>1</sub>	PA (L) ⊕ PA (U) ⊕ CBI <sub>1</sub>
FS <sub>2</sub>	$\overline{PB} \oplus CBI_2$	PB (L) ⊕ PB (U) ⊕ CBI <sub>2</sub>
FS <sub>3</sub>	$\overline{PC} \oplus CBI_3$	PC (L) ⊕ PC (U) ⊕ CBI <sub>3</sub>
FS <sub>4</sub>	PD ⊕ CBI <sub>4</sub>	PD (L) ⊕ PD (U) ⊕ CBI <sub>4</sub>
FS <sub>5</sub>	PE ⊕ CBI <sub>5</sub>	PE (L) ⊕ PE (U) ⊕ CBI <sub>5</sub>
FS <sub>6</sub>	PF ⊕ CBI <sub>6</sub>	PF (L) ⊕ PF (U) ⊕ CBI <sub>6</sub>
FS <sub>7</sub>	—	PF (L) ⊕ PG (U) ⊕ CBI <sub>7</sub>

2552 tbl 09

### 32-BIT SYNDROME DECODE TO BIT-IN-ERROR (1)

HEX	S3	S2	S1	S0	0	1	2	3	4	5	6	7
0	0	0	0	0	*	C4	C5	T	C6	T	T	30
1	0	0	0	1	C0	T	T	14	T	M	M	T
2	0	0	1	0	C1	T	T	M	T	2	24	T
3	0	0	1	1	T	18	8	T	M	T	T	M
4	0	1	0	0	C2	T	T	15	T	3	25	T
5	0	1	0	1	T	19	9	T	M	T	T	31
6	0	1	1	0	T	20	10	T	M	T	T	M
7	0	1	1	1	M	T	T	M	T	4	26	T
8	1	0	0	0	C3	T	T	M	T	5	27	T
9	1	0	0	1	T	21	11	T	M	T	T	M
A	1	0	1	0	T	22	12	T	1	T	T	M
B	1	0	1	1	17	T	T	M	T	6	28	T
C	1	1	0	0	T	23	13	T	M	T	T	M
D	1	1	0	1	M	T	T	M	T	7	29	T
E	1	1	1	0	16	T	T	M	T	M	M	T
F	1	1	1	1	T	M	M	T	0	T	T	M

#### NOTES:

2552 tbl 12

- The table indicates the decoding of the seven syndrome bits to identify the bit-in-error for a single-bit error, or whether a double or triple-bit error was detected. The all-zero case indicates no error detected.  
 \* = No errors detected  
 # = The number of the single bit-in-error  
 T = Two errors detected  
 M = Three or more errors detected



## DETAILED DESCRIPTION — 32-BIT CONFIGURATION

### 32-BIT MODIFIED HAMMING CODE — CHECKBIT ENCODING CHART<sup>(1)</sup>

Generated Checkbits	Parity	Participating Data Bits															
		0	1	2	3	4	5	6	7	8	9	10	11	12	13	14	15
CB0	Even (XOR)	X				X		X	X	X	X		X			X	
CB1	Even (XOR)	X	X	X		X		X		X		X		X			
CB2	Odd (XNOR)	X			X	X			X		X	X			X		X
CB3	Odd (XNOR)	X	X				X	X	X				X	X	X		
CB4	Even (XOR)			X	X	X	X	X	X							X	X
CB5	Even (XOR)									X	X	X	X	X	X	X	X
CB6	Even (XOR)	X	X	X	X	X	X	X	X								

2552 tbl 10

Generated Checkbits	Parity	Participating Data Bits															
		16	17	18	19	20	21	22	23	24	25	26	27	28	29	30	31
CB0	Even (XOR)		X	X	X		X					X		X	X		X
CB1	Even (XOR)	X	X	X		X		X		X		X		X			
CB2	Odd (XNOR)	X			X	X			X		X	X			X		X
CB3	Odd (XNOR)	X	X				X	X	X				X	X	X		
CB4	Even (XOR)			X	X	X	X	X	X							X	X
CB5	Even (XOR)									X	X	X	X	X	X	X	X
CB6	Even (XOR)									X	X	X	X	X	X	X	X

2552 tbl 11

**NOTE:**

- The table indicates the data bits participating in the checkbit generation. For example, checkbit C0 is the Exclusive-OR function of the 16 data input bits marked with an X.

**DETAILED DESCRIPTION — 64-BIT CONFIGURATION**  
**64-BIT MODIFIED HAMMING CODE - CHECKBIT ENCODING CHART<sup>(1, 2)</sup>**

Generated Checkbits	Parity	Participating Data Bits															
		0	1	2	3	4	5	6	7	8	9	10	11	12	13	14	15
CB0	Even (XOR)		X	X	X		X			X	X		X			X	
CB1	Even (XOR)	X	X	X		X		X		X		X		X			
CB2	Odd (XNOR)	X			X	X			X		X	X			X		X
CB3	Odd (XNOR)	X	X				X	X	X				X	X	X		
CB4	Even (XOR)			X	X	X	X	X	X							X	X
CB5	Even (XOR)									X	X	X	X	X	X	X	X
CB6	Even (XOR)	X	X	X	X	X	X	X	X								
CB7	Even (XOR)	X	X	X	X	X	X	X	X								

2552 tbl 13

Generated Checkbits	Parity	Participating Data Bits															
		16	17	18	19	20	21	22	23	24	25	26	27	28	29	30	31
CB0	Even (XOR)		X	X	X		X			X	X		X			X	
CB1	Even (XOR)	X	X	X		X		X		X		X		X			
CB2	Odd (XNOR)	X			X	X			X		X	X			X		X
CB3	Odd (XNOR)	X	X				X	X	X				X	X	X		
CB4	Even (XOR)			X	X	X	X	X	X							X	X
CB5	Even (XOR)									X	X	X	X	X	X	X	X
CB6	Even (XOR)									X	X	X	X	X	X	X	X
CB7	Even (XOR)									X	X	X	X	X	X	X	X

2552 tbl 14

Generated Checkbits	Parity	Participating Data Bits															
		32	33	34	35	36	37	38	39	40	41	42	43	44	45	46	47
CB0	Even (XOR)	X				X		X	X			X		X	X		X
CB1	Even (XOR)	X	X	X		X		X		X		X		X			
CB2	Odd (XNOR)	X			X	X			X		X	X			X		X
CB3	Odd (XNOR)	X	X				X	X	X				X	X	X		
CB4	Even (XOR)			X	X	X	X	X	X							X	X
CB5	Even (XOR)									X	X	X	X	X	X	X	X
CB6	Even (XOR)	X	X	X	X	X	X	X	X								
CB7	Even (XOR)									X	X	X	X	X	X	X	X

2552 tbl 15

Generated Checkbits	Parity	Participating Data Bits															
		48	49	50	51	52	53	54	55	56	57	58	59	60	61	62	63
CB0	Even (XOR)	X				X		X	X			X		X	X		X
CB1	Even (XOR)	X	X	X		X		X		X		X		X			
CB2	Odd (XNOR)	X			X	X			X		X	X			X		X
CB3	Odd (XNOR)	X	X				X	X	X				X	X	X		
CB4	Even (XOR)			X	X	X	X	X	X							X	X
CB5	Even (XOR)									X	X	X	X	X	X	X	X
CB6	Even (XOR)									X	X	X	X	X	X	X	X
CB7	Even (XOR)	X	X	X	X	X	X	X	X								

**NOTES:**

2552 tbl 16

1. The table indicates the data bits participating in the checkbit generation. For example, checkbit C0 is the Exclusive-OR function of the 64 data input bits marked with an X.
2. The checkbit is generated as either an XOR or an XNOR of the 64 data bits noted by an "X" in the table.

## DETAILED DESCRIPTION — 64-BIT CONFIGURATION (Con't.)

### 64-BIT SYNDROME DECODE TO BIT-IN-ERROR<sup>(1)</sup>

		HEX	0	1	2	3	4	5	6	7	8	9	A	B	C	D	E	F		
		<b>S7</b>	0	0	0	0	0	0	0	0	1	1	1	1	1	1	1	1		
		<b>S6</b>	0	0	0	0	1	1	1	1	0	0	0	0	1	1	1	1		
		<b>S5</b>	0	0	1	1	0	0	1	1	0	0	1	1	0	0	1	1		
		<b>S4</b>	0	1	0	1	0	1	0	1	0	1	0	1	0	1	0	1		
HEX	S3	S2	S1	S0																
0	0	0	0	0	*	C4	C5	T	C6	T	T	62	C7	T	T	46	T	M	M	T
1	0	0	0	1	C0	T	T	14	T	M	M	T	T	M	M	T	M	T	T	30
2	0	0	1	0	C1	T	T	M	T	34	56	T	T	50	40	T	M	T	T	M
3	0	0	1	1	T	18	8	T	M	T	T	M	M	T	T	M	T	2	24	T
4	0	1	0	0	C2	T	T	15	T	35	57	T	T	51	41	T	M	T	T	31
5	0	1	0	1	T	19	9	T	M	T	T	63	M	T	T	47	T	3	25	T
6	0	1	1	0	T	20	10	T	M	T	T	M	M	T	T	M	T	4	26	T
7	0	1	1	1	M	T	T	M	T	36	58	T	T	52	42	T	M	T	T	M
8	1	0	0	0	C3	T	T	M	T	37	59	T	T	53	43	T	M	T	T	M
9	1	0	0	1	T	21	11	T	M	T	T	M	M	T	T	M	T	5	27	T
A	1	0	1	0	T	22	12	T	33	T	T	M	49	T	T	M	T	6	28	T
B	1	0	1	1	17	T	T	M	T	38	60	T	T	54	44	T	1	T	T	M
C	1	1	0	0	T	23	13	T	M	T	T	M	M	T	T	M	T	7	29	T
D	1	1	0	1	M	T	T	M	T	39	61	T	T	55	45	T	M	T	T	M
E	1	1	1	0	16	T	T	M	T	M	M	T	T	M	M	T	0	T	T	M
F	1	1	1	1	T	M	M	T	32	T	T	M	48	T	T	M	T	M	M	T

**NOTES:**

2552 tbl 17

1. The table indicates the decoding of the seven syndrome bits to identify the bit-in-error for a single-bit error, or whether a double or triple-bit error was detected. The all-zero case indicates no error detected.

\* = No errors detected

# = The number of the single bit-in-error

T = Two errors detected

M = Three or more detected

## KEY AC CALCULATIONS — 64-BIT CASCADED CONFIGURATION

Mode	64-Bit Propagation Delay		Total AC Delay for IDT49C465 in 64-bit Mode (L) = Lower slice (U) = Upper slice
	From	To	
Generate	SD Bus	Checkbits out	SD to CBO(L) + PCBI to CBO(U) t SC(L) + t PCC(U)
Detect	MD Bus	$\overline{\text{ERR}}$ for 64-bits	MD to SYO(L) + CBI to $\overline{\text{ERR}}$ (U) t MSY(L) + t CE (U)
	MD Bus	$\overline{\text{MERR}}$ for 64-bits	MD to SYO(L) + CBI to $\overline{\text{MERR}}$ t MSY(L) + t CME (U)
Correct	MD Bus	Corrected data out	MD to SYO(L) + CBI to SD(U) t MSY(L) + t CS (U)
			(or) → MD to SYO(U) + PCBI to SD(L) t MSY(U) + t PCS(L)

**NOTE:**

2552 tbl 18

1. (or) = Whichever is worse.

### ABSOLUTE MAXIMUM RATINGS<sup>(1)</sup>

Symbol	Rating	Com'l.	Mil.	Unit
V <sub>CC</sub>	Power Supply Voltage	-0.5 to +7.0	-0.5 to +7.0	V
V <sub>TERM</sub>	Terminal Voltage with Respect to Ground	-0.5 to V <sub>CC</sub> + 0.5	-0.5 to V <sub>CC</sub> + 0.5	V
T <sub>A</sub>	Operating Temperature	0 to +70	-55 to +125	°C
T <sub>BIAS</sub>	Temperature Under Bias	-55 to +125	-65 to +135	°C
T <sub>STG</sub>	Storage Temperature	-55 to +125	-65 to +150	°C
I <sub>OUT</sub>	DC Output Current	30	30	mA

**NOTE:** 2552 tbl 19

1. Stresses greater than those listed under ABSOLUTE MAXIMUM RATINGS may cause permanent damage to the device. This is a stress rating only, and functional operation of the device at these or any other conditions above those indicated in the operational sections of this specification is not implied. Exposure to Absolute Maximum Ratings for extended periods of time may affect reliability.

### CAPACITANCE (T<sub>A</sub> = +25°C, f = 1.0MHz)

Symbol	Parameter <sup>(1)</sup>	Conditions	Pkg.	Typ.	Unit
C <sub>IN</sub>	Input Capacitance	V <sub>IN</sub> = 0V	PGA	10	pF
			PQFP	5	
C <sub>OUT</sub>	Output Capacitance	V <sub>OUT</sub> = 0V	PGA	12	pF
			PQFP	7	

**NOTE:** 2552 tbl 20

1. This parameter is sampled and not 100% tested.

### DC ELECTRICAL CHARACTERISTICS OVER OPERATING RANGE

The following conditions apply unless otherwise specified:

Commercial: T<sub>A</sub> = 0°C to +70°C, V<sub>CC</sub> = 5.0V ± 5%; Military: T<sub>A</sub> = -55°C to +125°C, V<sub>CC</sub> = 5.0V ± 10%

Symbol	Parameter	Test Conditions <sup>(1)</sup>		Min.	Typ. <sup>(2)</sup>	Max.	Unit
V <sub>IH</sub>	Input HIGH Level <sup>(4)</sup>	Guaranteed Logic HIGH	Normal Inputs	2.0	—	—	V
			Hysteresis Inputs	3.0	—	—	
V <sub>IL</sub>	Input LOW Level <sup>(4)</sup>	Guaranteed Logic LOW		—	—	0.8	V
I <sub>IH</sub>	Input HIGH Current	V <sub>CC</sub> = Max., V <sub>IN</sub> = V <sub>CC</sub>		—	—	5.0	μA
I <sub>IL</sub>	Input LOW Current	V <sub>CC</sub> = Max., V <sub>IN</sub> = GND		—	—	-5.0	μA
I <sub>OZ</sub>	Off State (Hi-Z)	V <sub>CC</sub> = Max.	V <sub>O</sub> = 0V	—	—	-10	μA
			V <sub>O</sub> = 3V	—	—	10	
I <sub>OS</sub>	Short Circuit Current	V <sub>CC</sub> = Max. <sup>(3)</sup>		-20	—	-150	mA
V <sub>OH</sub>	Output HIGH Voltage	V <sub>CC</sub> = Min. V <sub>IN</sub> = V <sub>IH</sub> or V <sub>IL</sub>	I <sub>OH</sub> = -6mA	COM'L.	2.4	—	V
			I <sub>OH</sub> = -4mA	MIL.	2.4	—	
V <sub>OL</sub>	Output LOW Voltage	V <sub>CC</sub> = Min. V <sub>IN</sub> = V <sub>IH</sub> or V <sub>IL</sub>	I <sub>OL</sub> = 12mA	COM'L.	—	—	V
			I <sub>OL</sub> = 6mA	MIL.	—	—	
V <sub>H</sub>	Hysteresis	CLEAR, MLE, PLE, SLE, SYNCLK, SCLKEN		—	200	—	mV

**NOTES:** 2552 tbl 21

1. For conditions shown as min. or max., use appropriate value specified above for the applicable device type.
2. Typical values are at V<sub>CC</sub> = 5.0V, +25°C ambient temperature and maximum loading.
3. Not more than one output should be shorted at one time. Duration of the short circuit test should not exceed one second.
4. These input levels provide zero noise immunity and should only be static tested in a noise-free environment.

**DC ELECTRICAL CHARACTERISTICS OVER OPERATING RANGE (Con't.)**

The following conditions apply unless otherwise specified:

Commercial:  $T_A = 0^\circ\text{C}$  to  $+70^\circ\text{C}$ ,  $V_{CC} = 5.0\text{V} \pm 5\%$ ; Military:  $T_A = -55^\circ\text{C}$  to  $+125^\circ\text{C}$ ,  $V_{CC} = 5.0\text{V} \pm 10\%$

Symbol	Parameter	Test Conditions <sup>(1)</sup>	Min.	Typ. <sup>(2)</sup>	Max.	Unit	
ICCQ	Quiescent Power Supply Current CMOS Input Levels	$V_{IN} = V_{CC}$ or GND $V_{CC} = \text{Max.}$ All Inputs Outputs Disabled	—	—	5	mA	
ICCQT	Quiescent Power Supply Current TTL Input Levels	$V_{IH} = 3.4\text{V}$ , $V_{IL} = 0\text{V}$ $V_{CC} = \text{Max.}$ All Inputs Outputs Disabled	—	—	1	mA/ input	
ICCD1	Dynamic Power Supply Current $f = 10\text{MHz}$	$f_{CP} = 10\text{MHz}$ , 50% Duty Cycle $V_{IH} = V_{CC}$ , $V_{IL} = \text{GND}$ Read Mode, Outputs Disabled	COM'L.	—	—	100	mA
			MIL.	—	—	115	
ICCD2	Dynamic Power Supply Current $f = 20\text{MHz}$	$f_{CP} = 20\text{MHz}$ , 50% Duty Cycle $V_{IH} = V_{CC}$ , $V_{IL} = \text{GND}$ Read Mode, Outputs Disabled	COM'L.	—	—	200	mA
			MIL.	—	—	230	

**NOTES:**

2552 tbl 22

- For conditions shown as Min. or Max., use appropriate value specified above for the applicable device type.
- Typical values are at  $V_{CC} = 5.0\text{V}$ ,  $+25^\circ\text{C}$  ambient temperature, and maximum loading.
- Total supply current is the sum of the Quiescent current and the dynamic current and is calculated as follows:

$$I_{CC} = I_{CCQ} + I_{CCQT} (N_T \times D_T) + I_{CCD} (f_{OP})$$

where:  $N_T$  = Total # of quiescent TTL inputs  
 $D_T$  = AC Duty cycle – % of time high (TTL)  
 $f_{OP}$  = Operating frequency

## AC PARAMETERS - 49C465A

### PROPAGATION DELAY TIMES

Number	Parameter Name	Parameter Description From Input (edge) To Output (edge)		32-bit System Standalone Slice		64-bit "Generate only" Slice		64-bit System				Unit	Refer to Timing Diagram Figure
				CODE ID=00		CODE ID=01		Lower Slice		Upper Slice			
				Com.	Mil.	Com.	Mil.	Com.	Mil.	Com.	Mil.		
				Max.	Max.	Max.	Max.	Max.	Max.	Max.	Max.		

### GENERATE (WRITE) PARAMETERS

01	t BC	BEN	CBO	15	20	—	—	15	20	15	20	ns	—
02	t BM	BEN	MDOUT	15	20	—	—	15	20	15	20	ns	—
03	t MC	<b>MDIN</b>	<b>CBO</b>	—	—	<b>15</b>	<b>18</b>	—	—	—	—	ns	10
04	t PCC	<b>PCBI</b>	<b>CBO</b>	—	—	—	—	—	—	<b>12</b>	<b>18</b>	ns	7
05	t PPE	PXIN	PERR	12	18	—	—	12	18	12	18	ns	—
06	t SC	<b>SDIN</b>	<b>CBO</b>	<b>14</b>	<b>18</b>	<b>14</b>	<b>18</b>	<b>14</b>	<b>18</b>	<b>14</b>	<b>18</b>	ns	7
07	t SM		MDOUT	12	18	—	—	12	18	12	18	ns	7
08	tsPE		PERR	12	18	—	—	12	18	12	18	ns	—

### DETECT (READ) PARAMETERS

09	t CE	<b>CBI</b>	ERR Low	14	18	—	—	—	—	<b>12</b>	<b>18</b>	ns	8,10
10	t CME		MERR = Low	15	20	—	—	—	—	15	20	ns	8,10
11	t CSY		SYO	12	18	—	—	12	18	—	—	ns	8,10
12	t ME	<b>MDIN</b>	ERR	<b>12</b>	<b>18</b>	—	—	—	—	12	18	ns	8,10
13	t MME		MERR	16	20	—	—	—	—	16	20	ns	8,10
14	t MSY		SYO	16	20	—	—	<b>12</b>	<b>18</b>	<b>12</b>	<b>18</b>	ns	8,10

### CORRECT (READ) PARAMETERS

15	t CS	<b>CBI</b>	SDOUT	16	20	—	—	—	—	<b>16</b>	<b>20</b>	ns	8,11
16	t MP	<b>MDIN</b>	Px	18	22	—	—	18	22	18	22	ns	8,11
17	t MS		SDOUT	<b>14</b>	<b>18</b>	—	—	—	—	—	—	ns	8,11
18	t MSY		SYO	16	20	—	—	<b>12</b>	<b>18</b>	<b>12</b>	<b>18</b>	ns	8,11
19	t PCS	<b>PCBI</b>	SDOUT	—	—	—	—	<b>13</b>	<b>18</b>	—	—	ns	11

### DIAGNOSTIC PARAMETERS

20	t CLR	CLEAR = Low	SDOUT	15	20	—	—	15	20	15	20	ns	15
21	t MIS	MODE ID	SDOUT	15	20	—	—	15	20	15	20	ns	15

#### NOTES:

- Where "edge" is not specified, both HIGH and LOW edges are implied.
- BOLD** indicates critical system parameters.

2552 tbl 24

## AC PARAMETERS - 49C465A

### PROPAGATION DELAY TIMES FROM LATCH ENABLES

Number	Parameter Name	Parameter Description		Com'l.		Mil.		Unit	Refer to Timing Diagram Figure
		From Input (edge)	To Output (edge)	Max.	Max.	Max.	Max.		
22	t MLC	MLE = HIGH	CBO *	16	20	ns	13	8, 10, 11	
23	t MLE		$\overline{\text{ERR}}$ *	13	18	ns	8		
24	t MLME		$\overline{\text{MERR}}$ *	16	20	ns	8		
25	t MLP		Px *	18	22	ns	8, 11		
26	t MLS		SDOUT *	18	22	ns	8, 10, 11		
27	t MLSY		SYO *	15	20	ns	8, 10		
28	t PLS		$\overline{\text{PLE}}$ = LOW	SDOUT *	10	12	ns		8, 11
29	t PLP	$\overline{\text{PLE}}$ = LOW	Px *	13	18	ns	8, 11		
30	t SLC	SLE = HIGH	CBO *	16	20	ns	7, 9		
31	t SLM	SLE = HIGH	MDOUT *	12	18	ns	7, 9		

NOTE:

2552 tbl 27

“\*” = Both HIGH and LOW edges are implied.

### ENABLE AND DISABLE TIMES

Number	Parameter Name	Parameter Description		Com'l.		Mil.		Unit	Refer to Timing Diagram Figure
		From Input (edge)	To Output (edge)	Min.	Max.	Min.	Max.		
32	t BESZx	BEN = HIGH LOW	SDOUT *	2	13	2	16	ns	8, 10, 11
33	t BESxZ		Hi - Z	2	11	2	14	ns	
34	t BEPZx	BEN = HIGH LOW	POUT *	2	13	2	16	ns	8, 11
35	t BEPxZ		Hi - Z	2	11	2	14	ns	
36	t CECZx	$\overline{\text{CBOE}}$ = LOW HIGH	CBO *	2	13	2	16	ns	7, 9
37	t CECxZ		Hi - Z	2	11	2	14	ns	
38	t MEMZx	$\overline{\text{MOE}}$ = LOW HIGH	MDOUT *	2	13	2	16	ns	7, 9
39	t MEMxZ		Hi - Z	2	11	2	14	ns	
40	t SESZx	$\overline{\text{SOE}}$ = LOW HIGH	SDOUT *	2	13	2	16	ns	8, 10
41	t SESxZ		Hi - Z	2	11	2	14	ns	

NOTE:

2552 tbl 28

“\*” = Delay to both edges.

### SET-UP AND HOLD TIMES - 49C465A

Number	Parameter Name	Parameter Description		Com.'l.	Mil.	Unit	Refer to Timing Diagram Figure
		From Input (edge)	To Output (edge)	Min.	Min.		
42	t SSLS	SDIN Set-up *	before SLE = LOW	3	4	ns	7, 9
43	t SSLH	SDIN Hold *	after SLE = LOW	3	4	ns	7, 9
44	t MMLS	MDIN Set-up *	before MLE =LOW	3	4	ns	8, 10, 11
45	t MMLH	MDIN Hold *	after MLE = LOW	3	4	ns	8, 10, 11
46	t CMLS	CBI Set-up *	before MLE = LOW	3	4	ns	8, 10, 11
47	t CMLH	CBI Hold *	after MLE = LOW	3	4	ns	8, 10, 11
48	t MPLS	MDIN Set-up *	before $\overline{PLE}$ = HIGH	10	12	ns	—
49	t MPLH	MDIN Hold *	after $\overline{PLE}$ = HIGH	0	0	ns	—
50	t CPLS	CBI Set-up *	before $\overline{PLE}$ =HIGH	10	12	ns	—
51	t CPLH	CBI Hold *	after $\overline{PLE}$ = HIGH	0	0	ns	—
52	t PCPLS	PCBI Set-up *	before $\overline{PLE}$ = HIGH	10	12	ns	—
53	t PCPLH	PCBI Hold *	after $\overline{PLE}$ = HIGH	0	0	ns	—

### DIAGNOSTIC SET-UP AND HOLD TIMES

54	t CSCS	CBI Set-up *		10	12	ns	15
55	t MSCS	MDIN Set-up *	before SYNCLK=HIGH	10	12	ns	15
56	t MLSCS	MLE Set-up =HIGH		10	12	ns	15
57	t SESCS	SCLKEN Set-up =LOW		3	4	ns	15
58	t SESCH	SCLKEN Hold =LOW	after SYNCLK =HIGH	3	4	ns	15

**NOTE:**

“(\*)” = Where “edge” is not specified, both HIGH and LOW edges are implied.

2552 tbl 32

### MINIMUM PULSE WIDTH

Number	Parameter Name	Minimum Pulse Width			Com.'l.	Mil.	Unit	Refer to Timing Diagram Figure
		Input	Conditions	Min.	Min.			
59	t CLEAR	Min. $\overline{CLEAR}$ LOW time	to clear diag. registers	Data = Valid	8	10	ns	14
60	t MLE	Min. MLE HIGH time	to strobe new data	MD, CBI = Valid	5	6	ns	—
61	t PLE	Min. $\overline{PLE}$ LOW time	to strobe new data	SD = Valid	5	6	ns	—
62	t SLE	Min. SLE HIGH time	to strobe new data	SD = Valid	5	6	ns	—
63	t SYNCLK	Min. SYNCLK HIGH time	to clock in new data	SCKEN = LOW	5	6	ns	14

2552 tbl 33

Input Pulse Levels	GND to 3.0V
Input Rise/Fall Times	1V/ns
Input Timing Reference Levels	1.5V
Output Reference Levels	1.5V
Output Load	See Figure 18

2552 tbl 34



## AC PARAMETERS - 49C465

### PROPAGATION DELAY TIMES

Number	Parameter Name	Parameter Description From Input (edge) To Output (edge)		32-bit System Standalone Slice		64-bit "Generate only" Slice		64-bit System				Unit	Refer to Timing Diagram Figure
				CODE ID=00		CODE ID=01		Lower Slice		Upper Slice			
				Com.	Mil.	Com.	Mil.	Com.	Mil.	Com.	Mil.		
				Max.	Max.	Max.	Max.	Max.	Max.	Max.	Max.		

### GENERATE (WRITE) PARAMETERS

01	t <sub>BC</sub>	BEN	CBO	20	25	—	—	20	25	20	25	ns	—
02	t <sub>BM</sub>	BEN	MDOUT	20	25	—	—	20	25	20	25	ns	—
03	t <sub>MC</sub>	<b>MDIN</b>	<b>CBO</b>	—	—	<b>17</b>	<b>20</b>	—	—	—	—	ns	10
04	t <sub>PCC</sub>	<b>PCBI</b>	<b>CBO</b>	—	—	—	—	—	—	<b>15</b>	<b>20</b>	ns	7
05	t <sub>PPE</sub>	PXIN	PERR	15	20	—	—	15	20	15	20	ns	—
06	t <sub>SC</sub>	<b>SDIN</b>	<b>CBO</b>	<b>16</b>	<b>20</b>	<b>16</b>	<b>20</b>	<b>16</b>	<b>20</b>	<b>16</b>	<b>20</b>	ns	7
07	t <sub>SM</sub>		MDOUT	15	20	—	—	15	20	15	20	ns	7
08	t <sub>SPE</sub>		PERR	15	20	—	—	15	20	15	20	ns	—

### DETECT (READ) PARAMETERS

09	t <sub>CE</sub>	<b>CBI</b>	<b>ERR</b> = LOW	16	20	—	—	—	—	<b>15</b>	<b>20</b>	ns	8,10
10	t <sub>CME</sub>		<b>MERR</b> = LOW	20	24	—	—	—	—	20	24	ns	8,10
11	t <sub>CSY</sub>		<b>SYO</b>	15	20	—	—	12	18	—	—	ns	8,10
12	t <sub>ME</sub>	<b>MDIN</b>	<b>ERR</b> = LOW	<b>15</b>	<b>20</b>	—	—	—	—	15	20	ns	8,10
13	t <sub>MME</sub>		<b>MERR</b> = LOW	20	24	—	—	—	—	20	24	ns	8,10
14	t <sub>MSY</sub>		<b>SYO</b>	18	22	—	—	<b>15</b>	<b>20</b>	<b>15</b>	<b>20</b>	ns	8,10

### CORRECT (READ) PARAMETERS

15	t <sub>CS</sub>	<b>CBI</b>	<b>SDOUT</b>	20	24	—	—	—	—	<b>20</b>	<b>24</b>	ns	8,11
16	t <sub>MP</sub>	<b>MDIN</b>	Px	20	26	—	—	20	26	20	26	ns	8,11
17	t <sub>MS</sub>		<b>SDOUT</b>	<b>16</b>	<b>20</b>	—	—	—	—	—	—	ns	8,11
18	t <sub>MSY</sub>		<b>SYO</b>	18	22	—	—	<b>15</b>	<b>20</b>	<b>15</b>	<b>20</b>	ns	8,11
19	t <sub>PCS</sub>	<b>PCBI</b>	<b>SDOUT</b>	—	—	—	—	<b>15</b>	<b>20</b>	—	—	ns	11

### DIAGNOSTIC PARAMETERS

20	t <sub>CLR</sub>	CLEAR = LOW	SDOUT	20	24	—	—	20	24	20	24	ns	15
21	t <sub>MIS</sub>	MODE ID	SDOUT	20	24	—	—	20	24	20	24	ns	15

#### NOTES:

- Where "edge" is not specified, both HIGH and LOW edges are implied.
- BOLD** indicates critical system parameters.

2552 tbl 23

## AC PARAMETERS - 49C465

### PROPAGATION DELAY TIMES FROM LATCH ENABLES

Number	Parameter Name	Parameter Description		Com'l.		Unit	Refer to Timing Diagram Figure
		From Input (edge)	To Output (edge)	Max.	Max.		
22	t MLC	MLE = HIGH	CBO *	20	24	ns	13
23	t MLE		ERR *	15	20	ns	8, 10, 11
24	t MLME		MERR *	20	24	ns	8
25	t MLP		Px *	20	25	ns	8, 11
26	t MLS		SDOUT *	20	25	ns	8, 10, 11
27	t MLSY		SYO *	18	22	ns	8, 10
28	t PLS		PLE = LOW	SDOUT *	12	16	ns
29	t PLP	PLE = LOW	Px *	16	20	ns	8, 11
30	t SLC	SLE = HIGH	CBO *	20	24	ns	7, 9
31	t SLM	SLE = HIGH	MDOUT *	15	20	ns	7, 9

**NOTE:**

2552 tbl 25

“\*” = Both HIGH and LOW edges are implied.

### ENABLE AND DISABLE TIMES

Number	Parameter Name	Parameter Description		Com'l.		Mil.		Unit	Refer to Timing Diagram Figure
		From Input (edge)	To Output (edge)	Min.	Max.	Min.	Max.		
32	t BESZx	BEN = HIGH LOW	SDOUT *	2	15	2	18	ns	8, 10, 11
33	t BESxZ		Hi - Z	2	13	2	16	ns	
34	t BEPZx	BEN = HIGH LOW	POUT *	2	15	2	18	ns	8, 11
35	t BEPxZ		Hi - Z	2	13	2	16	ns	
36	t CECZx	CBOE = LOW HIGH	CBO *	2	15	2	18	ns	7, 9
37	t CECxZ		Hi - Z	2	13	2	16	ns	
38	t MEMZx	MOE = LOW HIGH	MDOUT *	2	15	2	18	ns	7, 9
39	t MEMxZ		Hi - Z	2	13	2	16	ns	
40	t SESZx	SOE = LOW HIGH	SDOUT *	2	15	2	18	ns	8, 10
41	t SESxZ		Hi - Z	2	13	2	16	ns	

**NOTE:**

2552 tbl 26

“\*” = Delay to both edges.

### SET-UP AND HOLD TIMES - 49C465

Number	Parameter Name	Parameter Description		Com.'l.	Mil.	Unit	Refer to Timing Diagram Figure
		From Input (edge)	To Output (edge)	Min.	Min.		
42	t SSLS	SDIN Set-up *	before SLE =LOW	4	5	ns	7, 9
43	t SSLH	SDIN Hold *	after SLE = LOW	4	5	ns	7, 9
44	t MMLS	MDIN Set-up *	before MLE =LOW	4	5	ns	8, 10, 11
45	t MMLH	MDIN Hold *	after MLE = LOW	4	5	ns	8, 10, 11
46	t CMLS	CBI Set-up *	before MLE =LOW	4	5	ns	8, 10, 11
47	t CMLH	CBI Hold *	after MLE = LOW	4	5	ns	8, 10, 11
48	t MPLS	MDIN Set-up *	before $\overline{PLE}$ =HIGH	12	15	ns	—
49	t MPLH	MDIN Hold *	after $\overline{PLE}$ = HIGH	0	0	ns	—
50	t CPLS	CBI Set-up *	before $\overline{PLE}$ =HIGH	12	15	ns	—
51	t CPLH	CBI Hold *	after $\overline{PLE}$ = HIGH	0	0	ns	—
52	t PCPLS	PCBI Set-up *	before $\overline{PLE}$ =HIGH	12	15	ns	—
53	t PCPLH	PCBI Hold *	after $\overline{PLE}$ = HIGH	0	0	ns	—

### DIAGNOSTIC SET-UP AND HOLD TIMES

54	t CSCS	CBI Set-up *		12	15	ns	15
55	t MSCS	MDIN Set-up *	before SYNCLK=HIGH	12	15	ns	15
56	t MLSCS	MLE Set-up = HIGH		12	15	ns	15
57	t SESCS	SCLKEN Set-up = LOW		4	5	ns	15
58	t SESCH	SCLKEN Hold = LOW	after SYNCLK =HIGH	4	5	ns	15

**NOTE:**

“\*” = Where “edge” is not specified, both HIGH and LOW edges are implied.

2552 tbl 29

### MINIMUM PULSE WIDTH

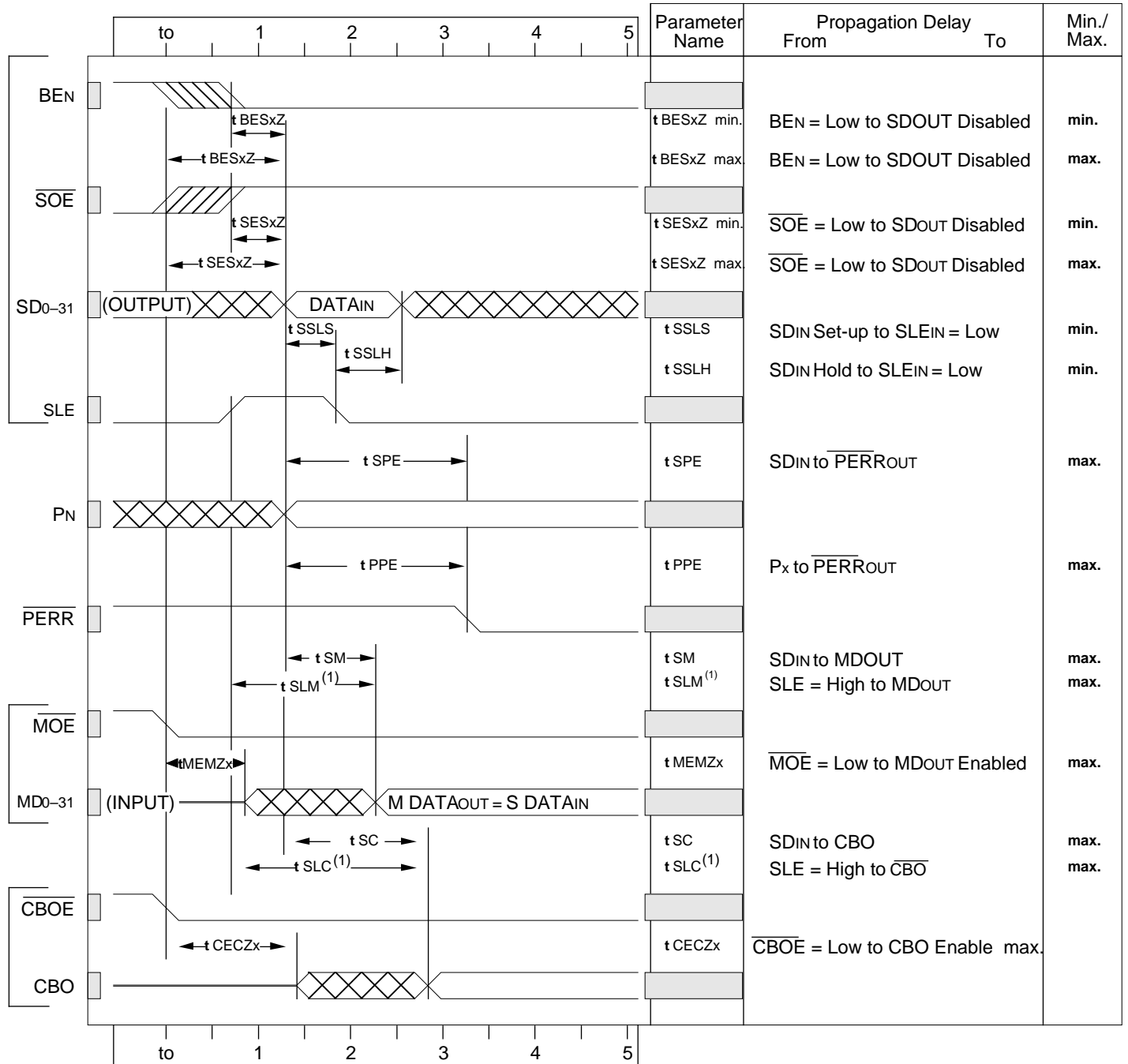
Number	Parameter Name	Minimum Pulse Width		Com.'l.	Mil.	Unit	Refer to Timing Diagram Figure	
		Input	Conditions	Min.	Min.			
59	t CLEAR	Min. $\overline{CLEAR}$ LOW time	to clear diag. registers	Data = Valid	8	10	ns	14
60	t MLE	Min. MLE HIGH time	to strobe new data	MD, CBI = Valid	5	6	ns	—
61	t PLE	Min. $\overline{PLE}$ LOW time	to strobe new data	SD = Valid	5	6	ns	—
62	t SLE	Min. SLE HIGH time	to strobe new data	SD = Valid	5	6	ns	—
63	t SYNCLK	Min. SYNCLK HIGH time	to clock in new data	SCLKEN = LOW	5	6	ns	14

2552 tbl 30

Input Pulse Levels	GND to 3.0V
Input Rise/Fall Times	1V/ns
Input Timing Reference Levels	1.5V
Output Reference Levels	1.5V
Output Load	See Figure 18

2552 tbl 31

AC TIMING DIAGRAMS — 32-BIT CONFIGURATION

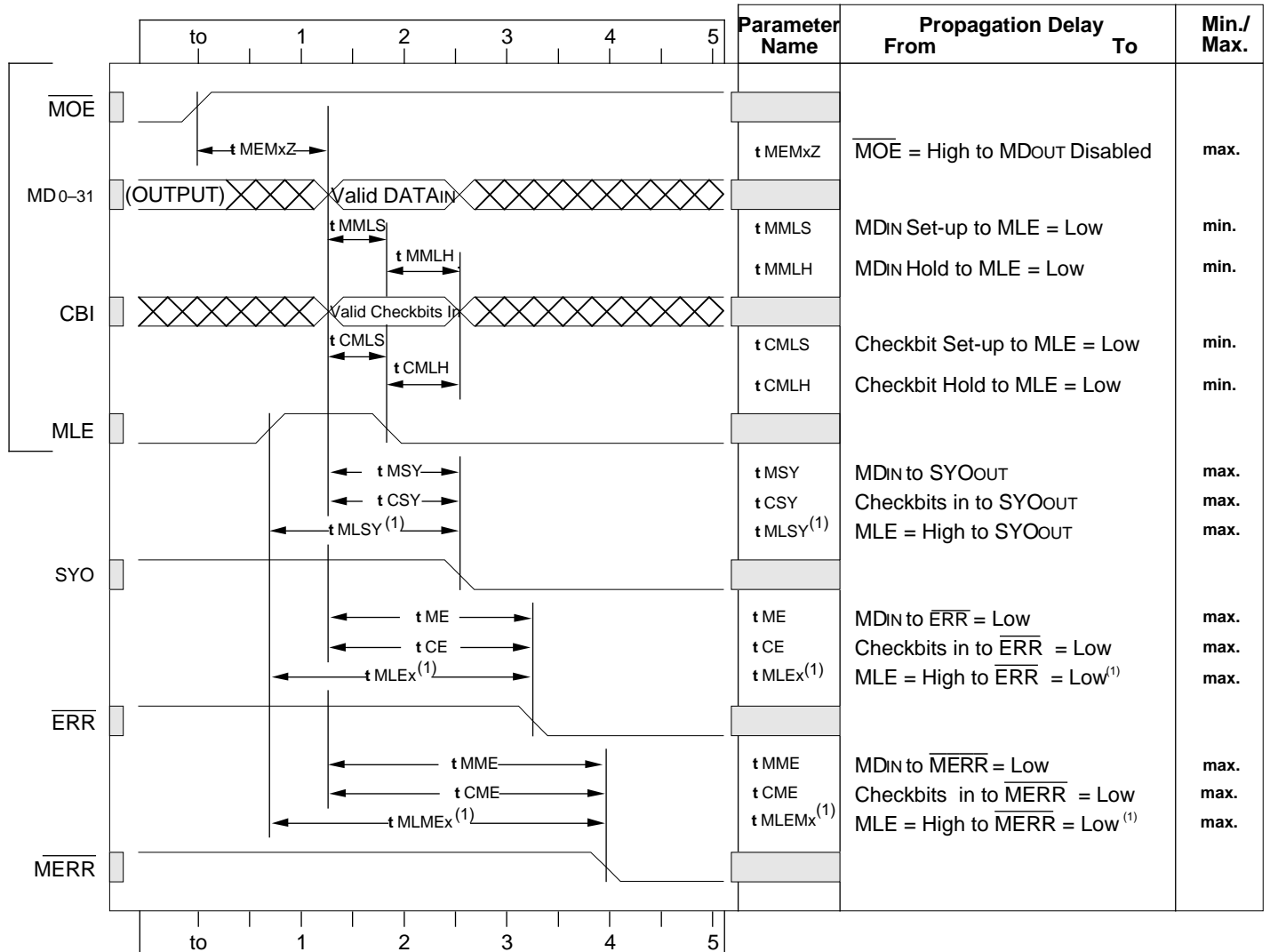


**NOTE:**  
1. Assumes that System Data is valid at least 3ns (Com.) before SLE goes HIGH.

2552 drw 19

Figure 7. 32-Bit Generate Timing

AC TIMING DIAGRAMS — 32-BIT CONFIGURATION

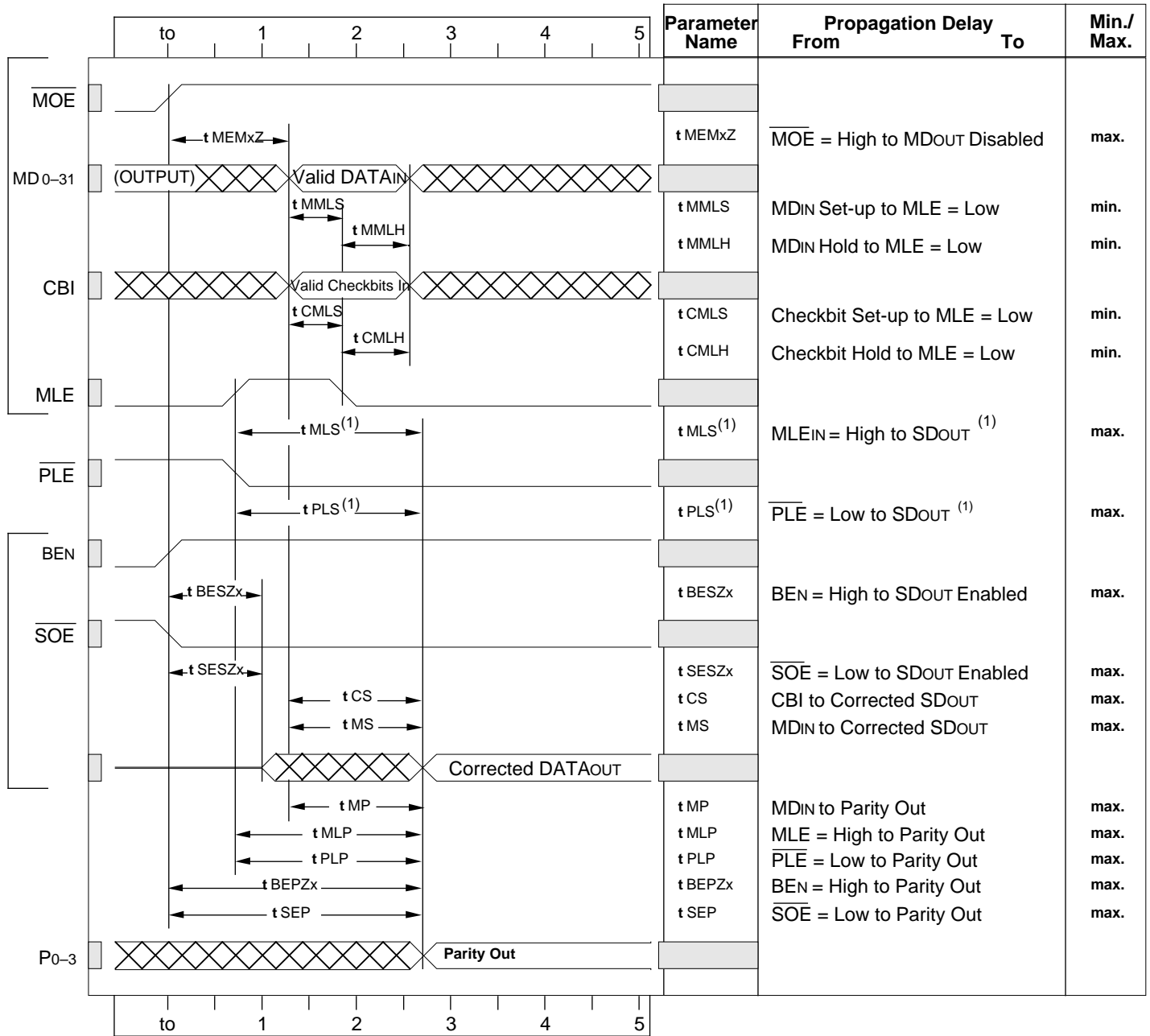


NOTE:  
1. Assumes that Memory Data and Checkbits are valid at least 3ns (Com.)/4ns (Mil.) before MLE goes HIGH.

2552 drw 20

Figure 8. 32-Bit Detect Timing

AC TIMING DIAGRAMS — 32-BIT CONFIGURATION

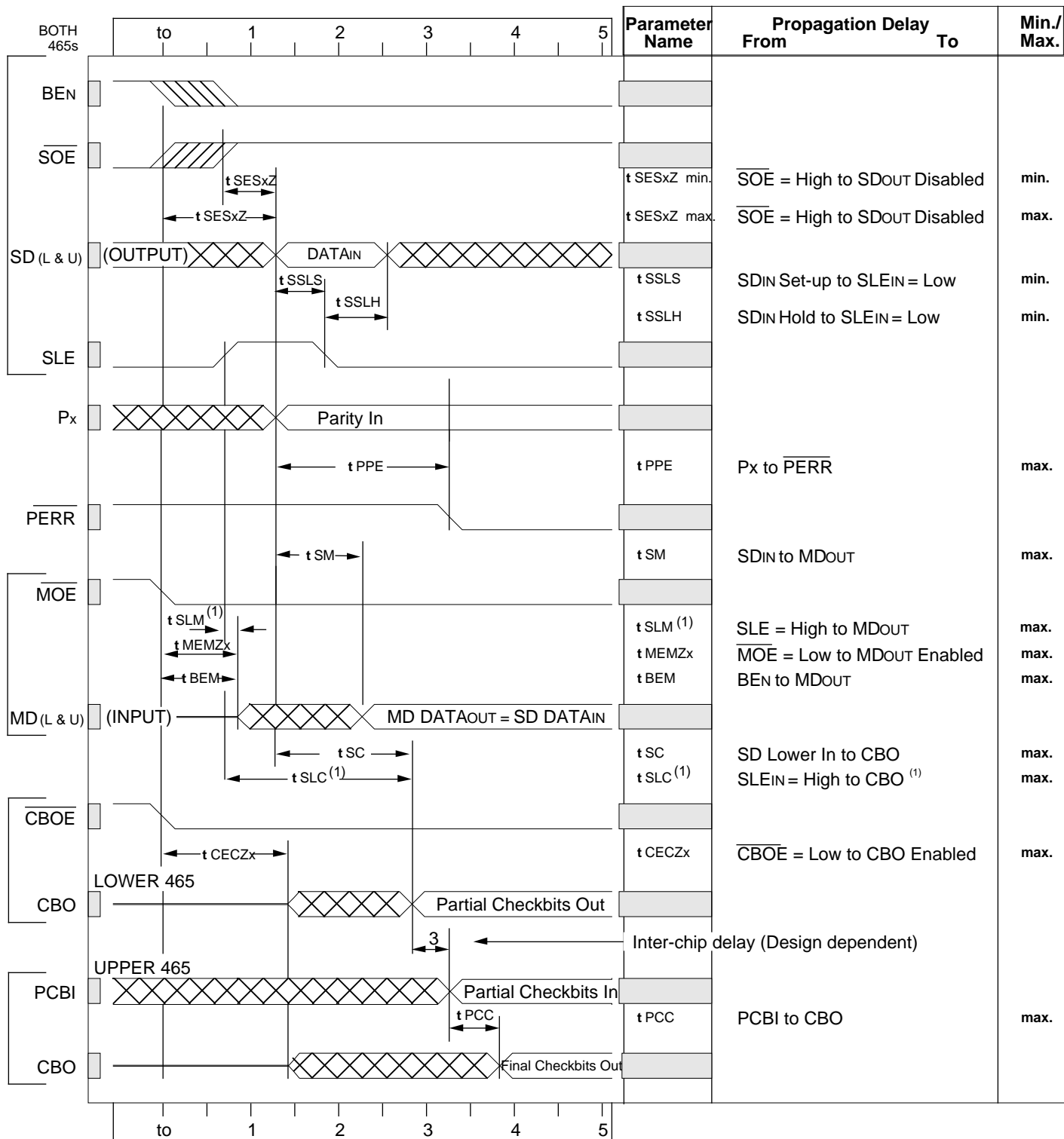


**NOTE:**  
1. Assumes that Memory Data and Checkbits are valid at least 3ns (Com.)/4ns (Mil.) before MLE goes HIGH.

2552 drw 21

Figure 9. 32-Bit Correct Timing

**AC TIMING DIAGRAMS — 64-BIT CONFIGURATION**



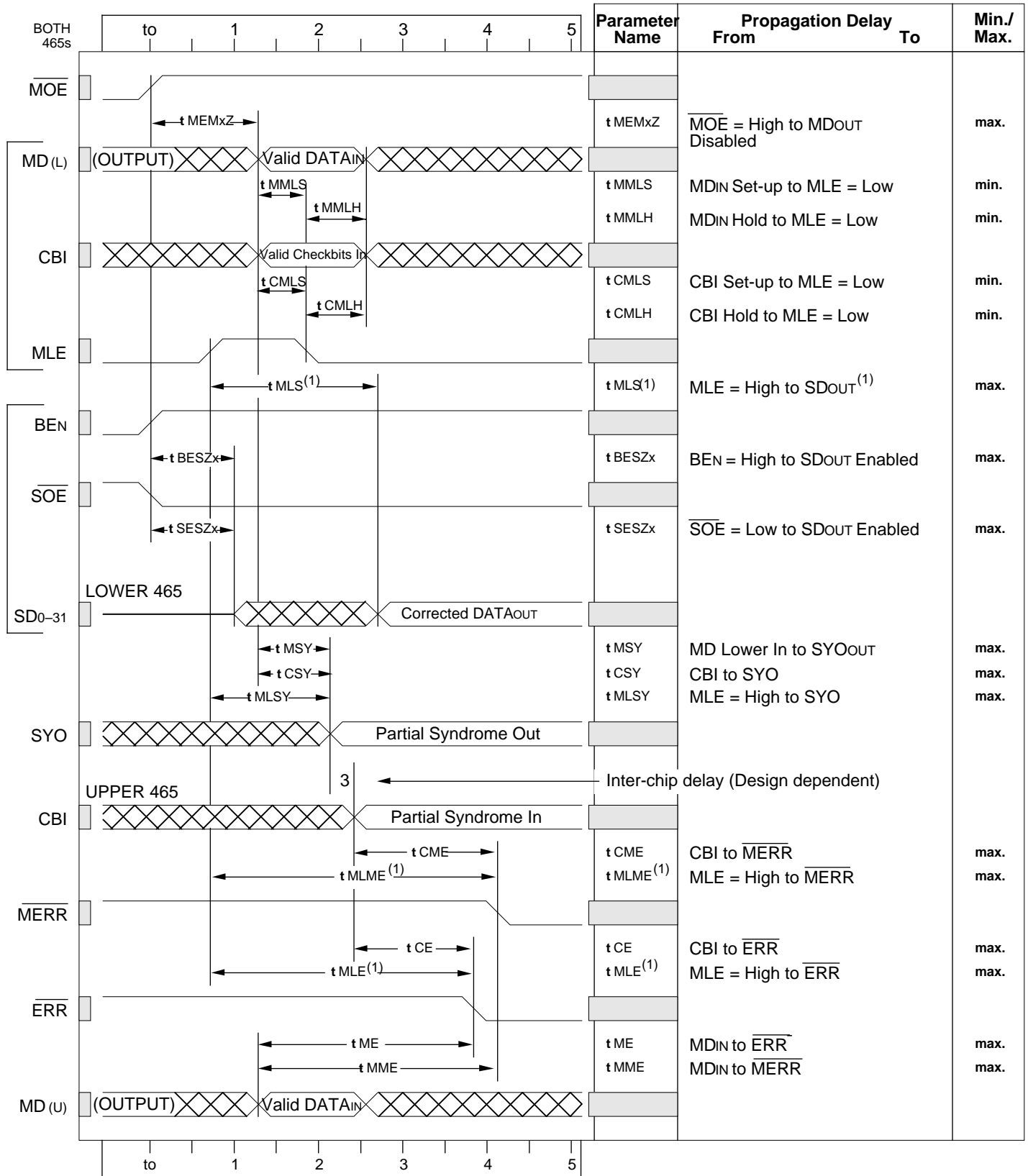
**NOTE:**

1. Assumes that System Data is valid at least 3ns (Com.)/4ns (Mil.) before SLE goes HIGH.

2552 drw 22

**Figure 10. 64-Bit Generate Timing — (64-Bit Cascading System)**

AC TIMING DIAGRAMS — 64-BIT CONFIGURATION



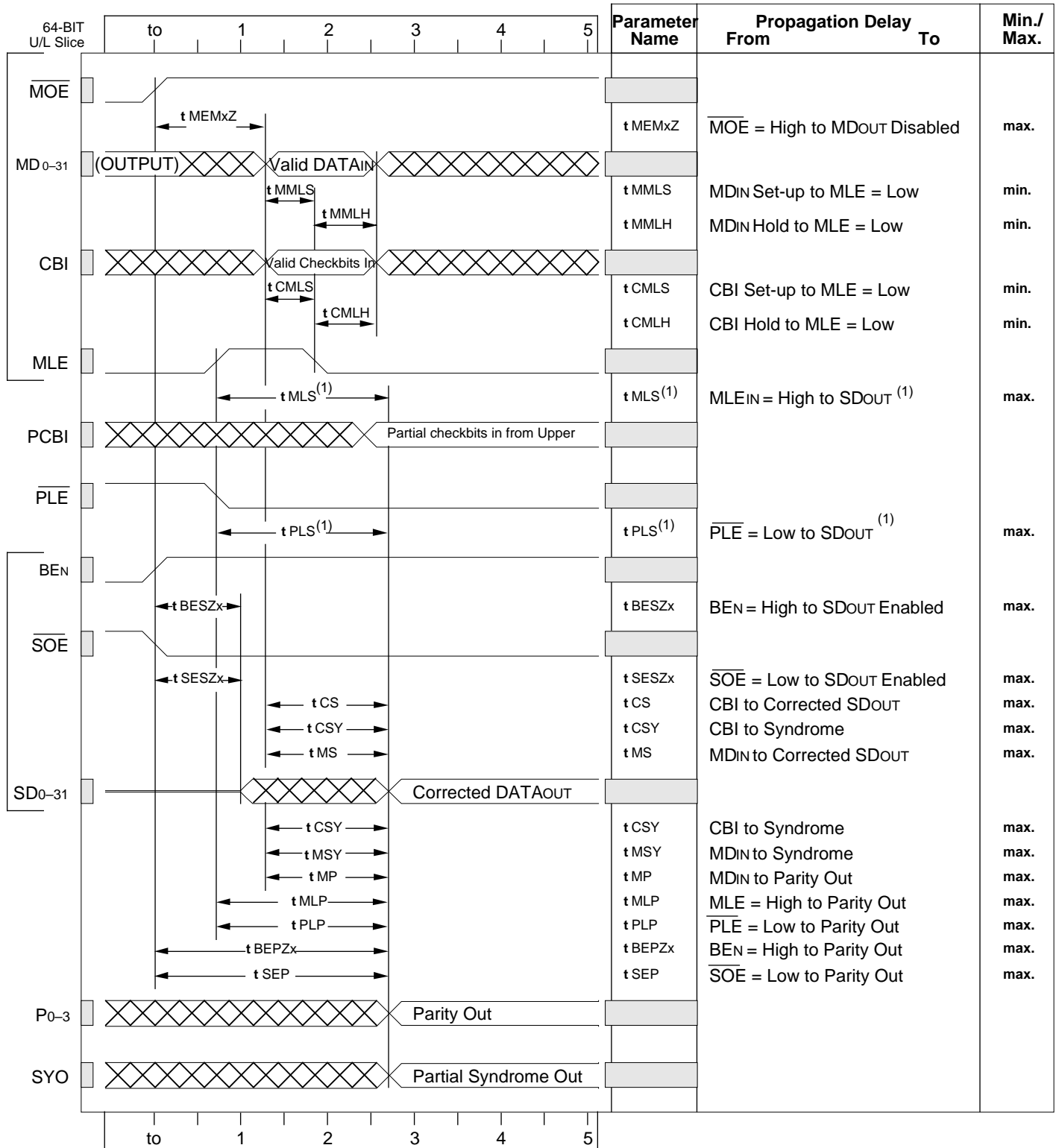
**NOTE:**  
1. Assumes that System Data is valid at least 3ns (Com.)/4ns (Mil.) before SLE goes HIGH.

2552 drw 23

Figure 11. 64-Bit Detect Timing



AC TIMING DIAGRAMS — 64-BIT CONFIGURATION

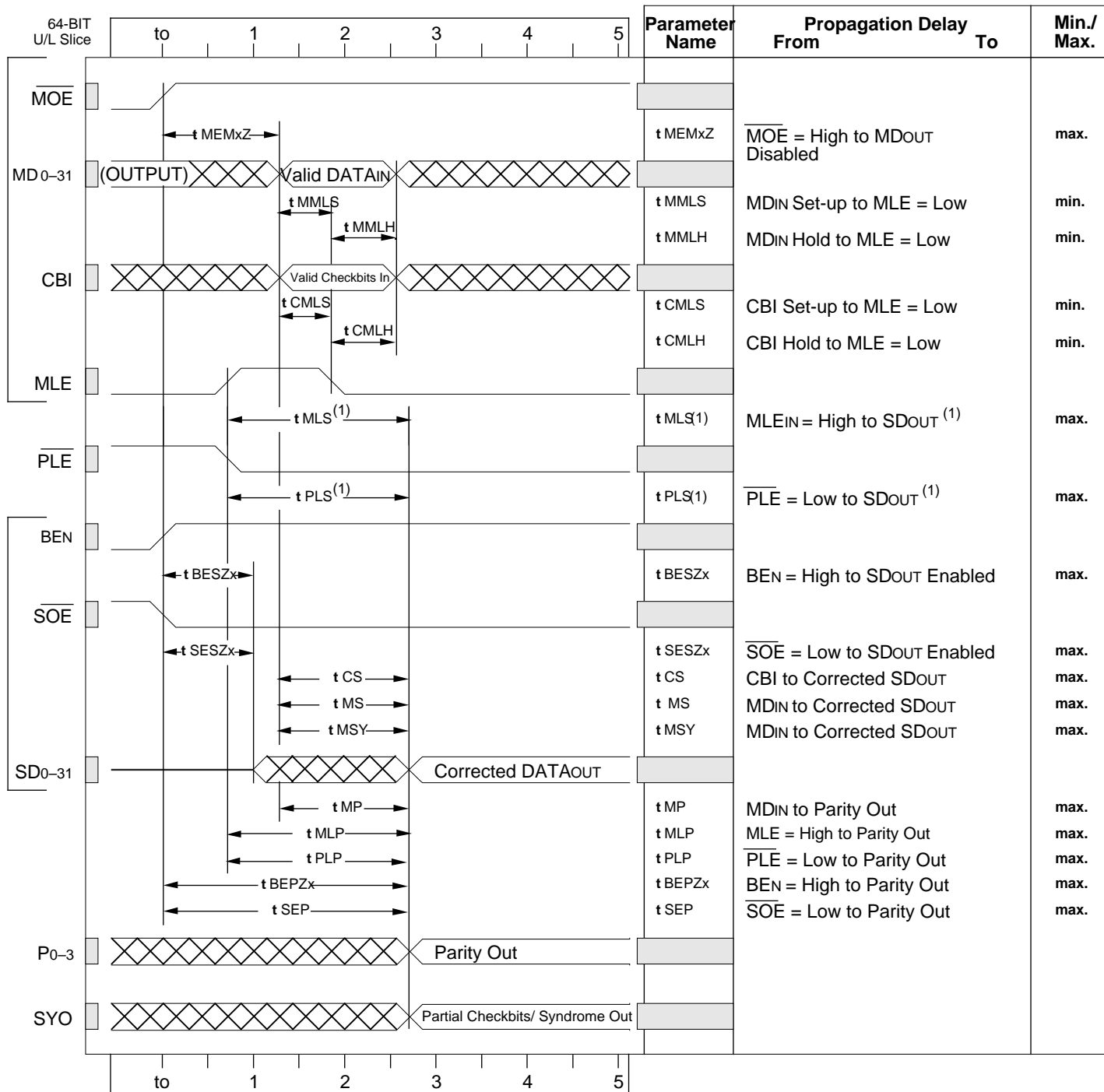


NOTE:  
1. Assumes that Memory Data and Checkbits are valid at least 4ns (Com.) before MLE goes HIGH.

2552 drw 24

Figure 12. 64-Bit Correct Timing (Lower Slice)

AC TIMING DIAGRAMS — 64-BIT CONFIGURATION

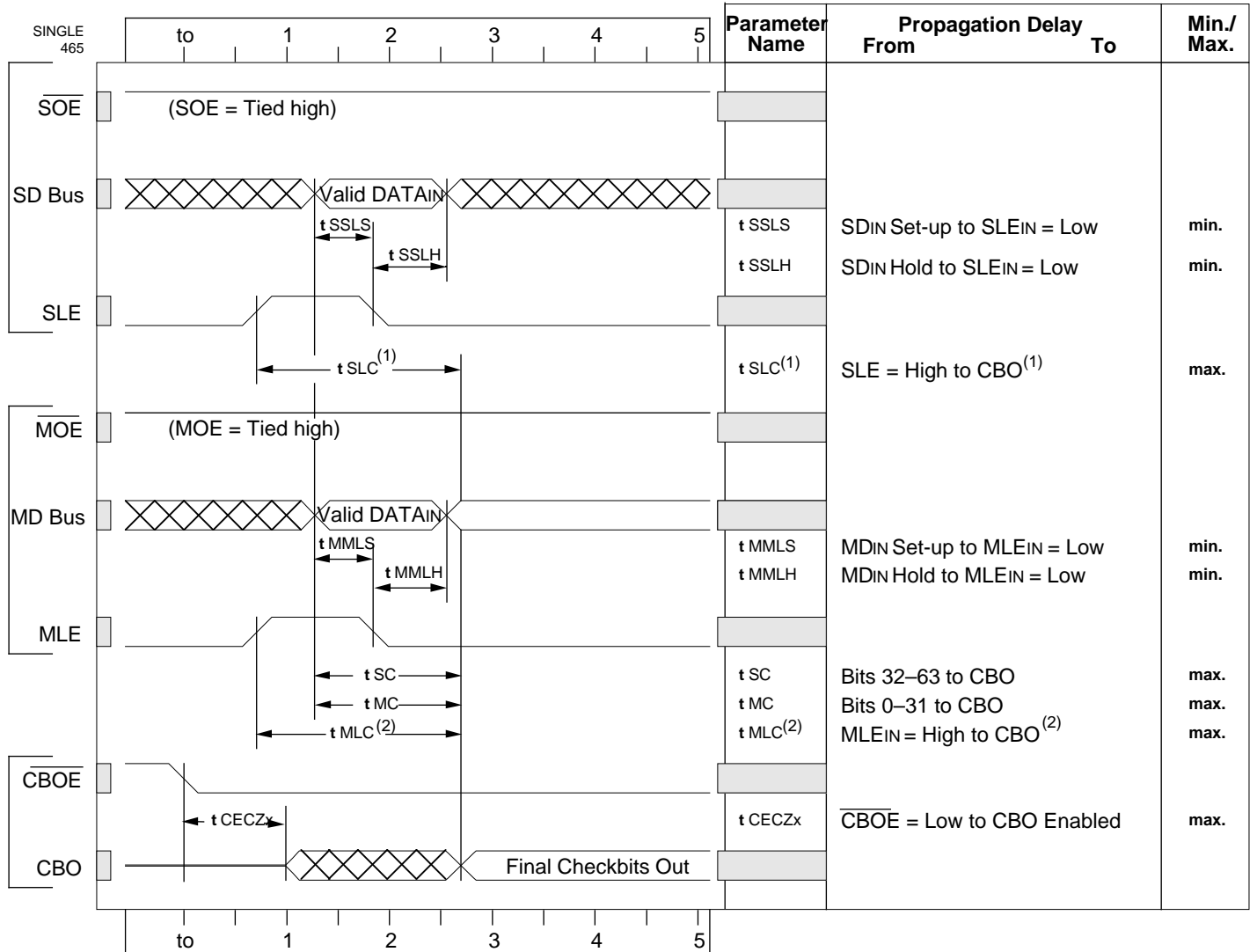


**NOTE:**  
1. Assumes that Memory Data and Checkbits are valid at least 4ns (Com.) before MLE goes HIGH.

2552 drw 25

Figure 13. 64-Bit Correct Timing (Upper Slice)

**AC TIMING DIAGRAMS — 64-BIT CONFIGURATION**



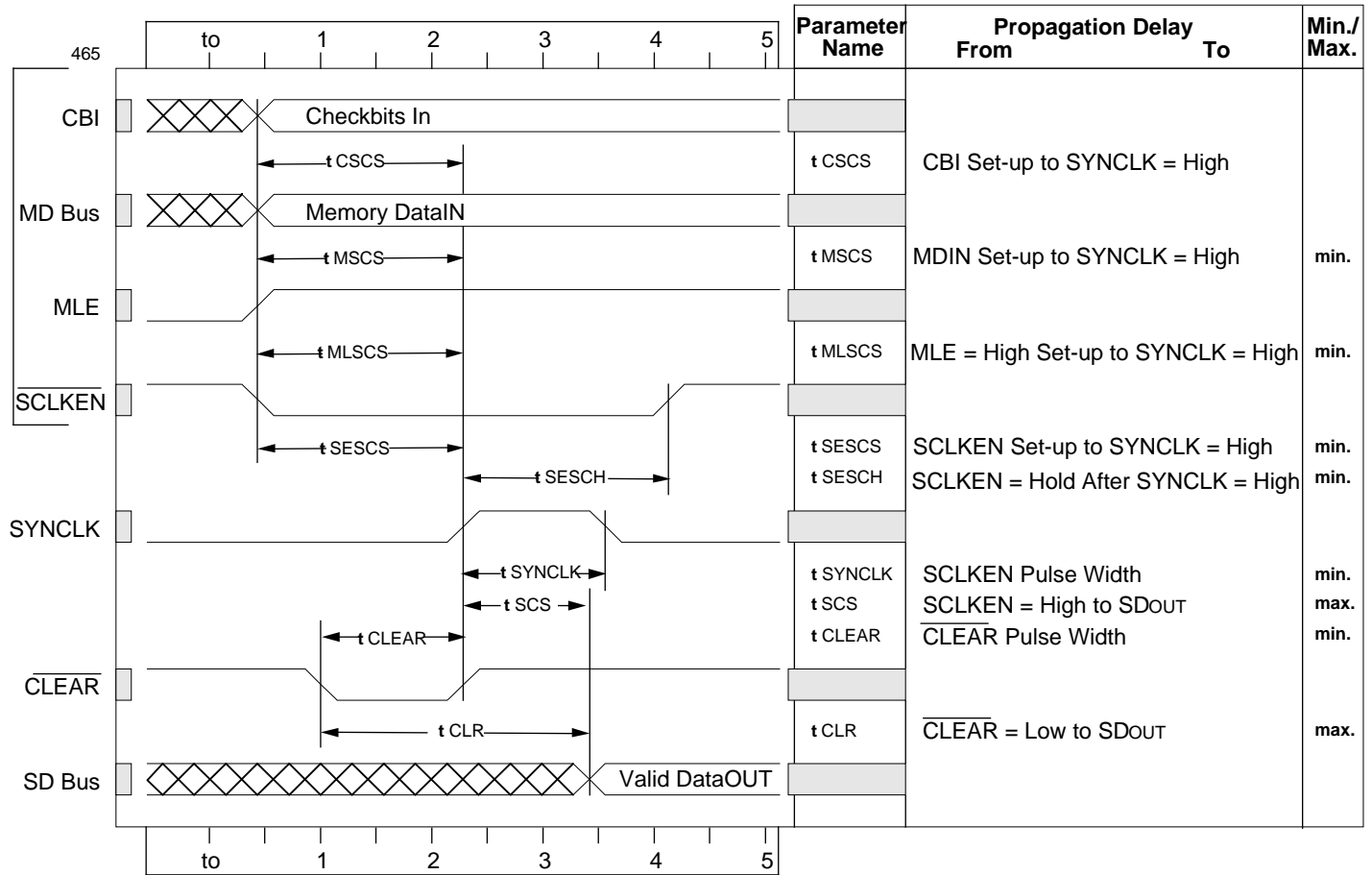
**NOTE:**

1. Assumes that System Data is valid at least 3ns (Com.) before SLE goes HIGH.
2. Assumes that Memory Data is valid at least 4ns (Com.) before MLE goes HIGH.

2552 drw 26

**Figure 14. 64-Bit Single Chip "Generate Only" Timing**

**AC TIMING DIAGRAMS — DIAGNOSTIC TIMING**

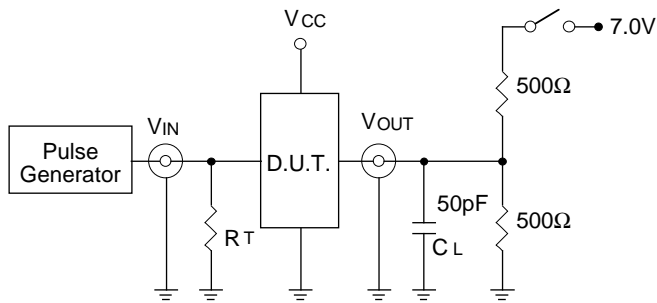


2552 drw 27

Figure 15. 32-Bit Diagnostic Timing

## TEST CIRCUITS AND WAVEFORMS

### TEST CIRCUITS FOR ALL OUTPUTS



2552 drw 30

### SWITCH POSITION

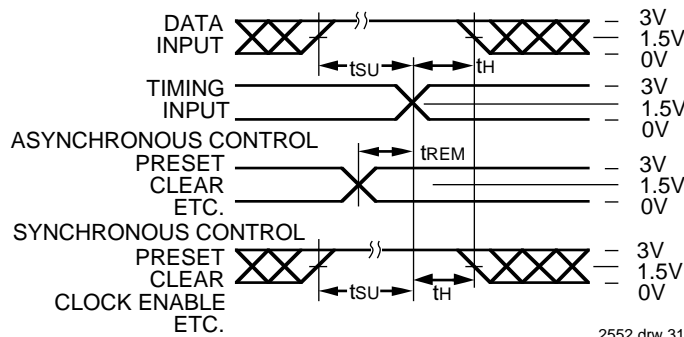
Test	Switch
Open Drain Disable Low Enable Low	Closed
All Other Tests	Open

#### DEFINITIONS:

CL= Load capacitance: includes jig and probe capacitance.  
RT= Termination resistance: should be equal to ZOUT of the Pulse Generator.

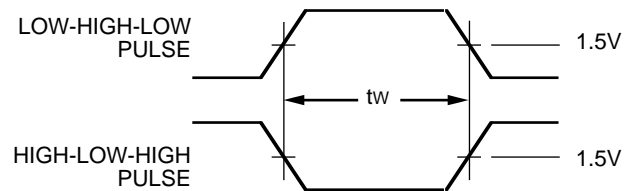
2552 tbl 35

### SET-UP, HOLD AND RELEASE TIMES



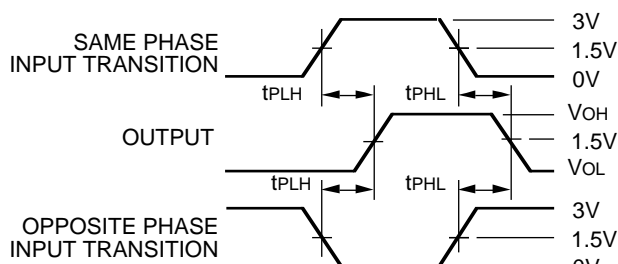
2552 drw 31

### PULSE WIDTH



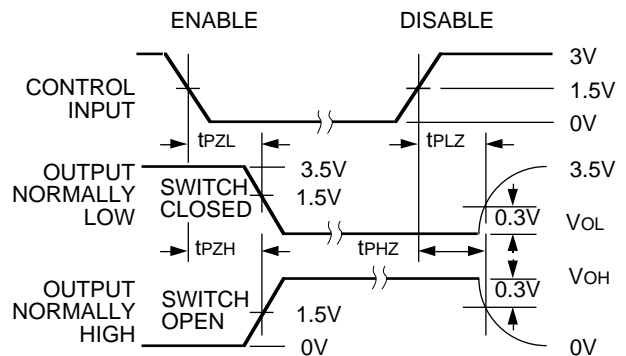
2552 drw 32

### PROPAGATION DELAY



2552 drw 33

### ENABLE AND DISABLE TIMES

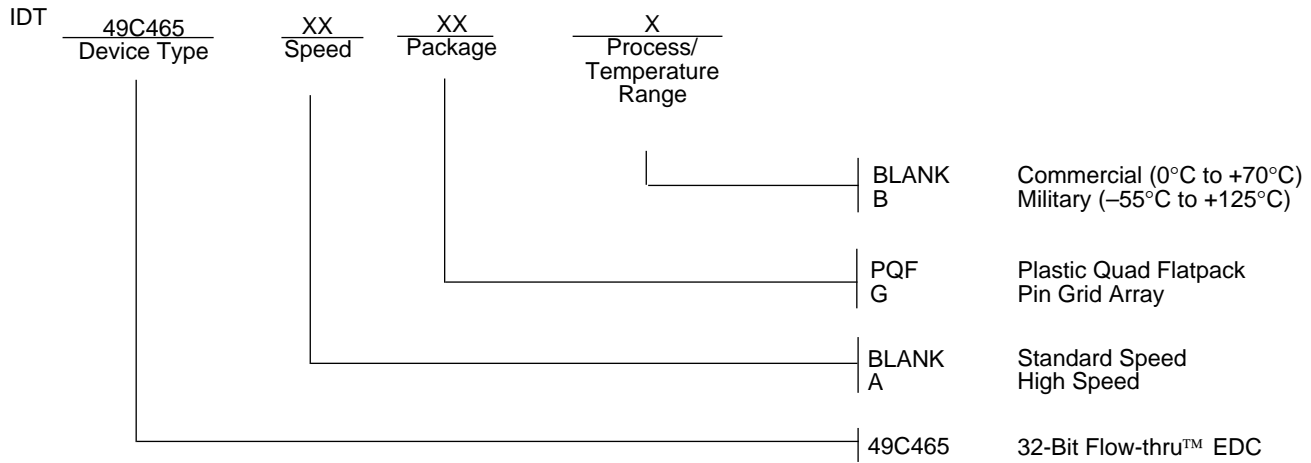


2552 drw 34

#### NOTES:

- Diagram shown for input Control Enable-LOW and input Control Disable-HIGH
- Pulse Generator for All Pulses: Rate  $\leq 1.0\text{MHz}$ ;  $t_f \leq 2.5\text{ns}$ ;  $t_r \leq 2.5\text{ns}$

## ORDERING INFORMATION



2552 drw 35