

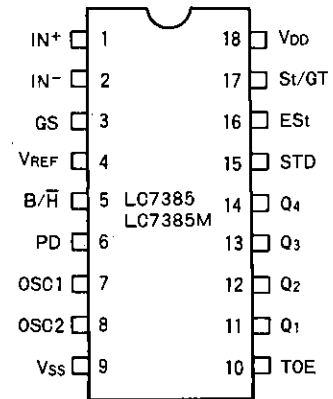
SANYO	No.3003B	LC7385, 7385M
	DTMF Receiver	

Overview

The LC7385, 7385M CMOS DTMF Receiver LSIs integrate bandsplit filter and digital decoder functions for the 16 DTMF digits used in touch-tone telephone systems.

Features

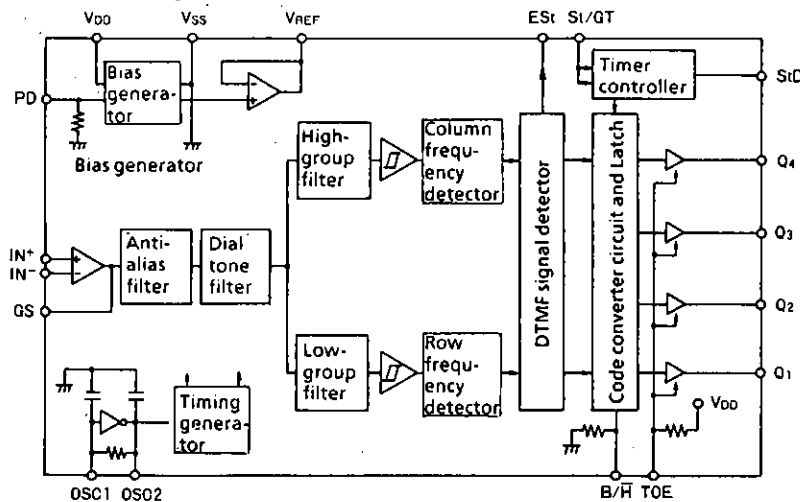
- ① Single +5V power supply
- ② Decodes all 16 DTMF digits.
- ③ Built-in differential input amplifier
- ④ On-chip filters, including
 - Dial tone filter
 - High-group filter
 - Low-group filter
- ⑤ User-selectable acquisition and release times
- ⑥ Pin-selectable 4-bit hexadecimal or binary-coded 2-of-8 output
- ⑦ 3-state data outputs facilitate microcontroller or other peripheral interfaces.
- ⑧ Standby mode
- ⑨ Low-power double-poly CMOS process
- ⑩ LC7385 : 18-pin DIP package
LC7385M : 18-pin MFP package



(TOP VIEW)

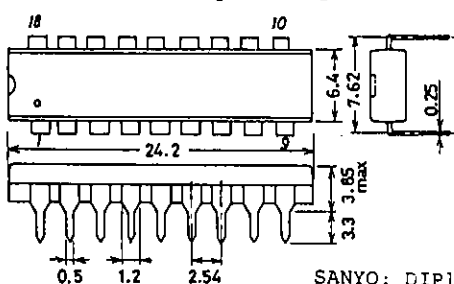
Pin Assignment

Block Diagram



Package Dimensions (unit: mm)

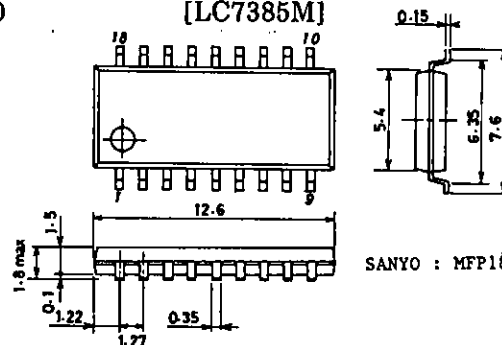
3007A
[LC7385]



SANYO: DIP18

Package Dimensions (unit: mm)

3095
[LC7385M]



SANYO : MFP18

LC7385,7385M

Pin Functions

Pin No.	Name	I/O	Description
1	IN+	I	Input amp non-inverting input
2	IN-	I	Input amp inverting input
3	GS	O	Input amp output
4	VREF	O	Reference voltage output ($V_{DD}/2$)
5	B/H	I	Q1 to Q4 output format selection: Binary 2-of-8 when HIGH Hexadecimal when LOW
6	PD	I	Standby mode when set to HIGH
7	OSC1	I	Clock pins. 3.579545MHz crystal is connected between OSC1 and OSC2.
8	OSC2	O	
9	VSS		Power supply. Normally 0V
10	TOE	I	Q1 to Q4 3-state output selection: Enabled when HIGH High-impedance when LOW
11	Q1	O	3-state data output
12	Q2		
13	Q3		
14	Q4		
15	StD	O	Goes HIGH when valid tone pair duration exceeds set guard time.
16	ESst	O	Goes HIGH when valid tone pair is detected.
17	St/GT	I/O	Used to set guard time.
18	VDD		Power supply. Normally 5V

Absolute Maximum Ratings at $T_a = 25 \pm 2^\circ\text{C}$, $V_{SS} = 0\text{V}$

Parameter	Symbol	Condition	Rating	unit	
Maximum Supply Voltage	$V_{DD \text{ max}}$		-0.3 to +7.0	V	
Input Voltage	V_{IN}		-0.3 to $V_{DD} + 0.3$	V	
Input Current	I_{IN}		-10 to +10	mA	
Output Voltage	V_{OUT}		-0.3 to $V_{DD} + 0.3$	V	
Power Dissipation	P_D	$-40^\circ\text{C} \leq T_a \leq +85^\circ\text{C}$	DIP-18	250	mW
			MFP-18	180	
Operating Temperature	T_{opr}		-40 to +85	$^\circ\text{C}$	
Storage Temperature	T_{stg}		-50 to +125	$^\circ\text{C}$	

Allowable Operating Conditions at $T_a = -40$ to $+85^\circ\text{C}$, $V_{SS} = 0\text{V}$

Parameter	Symbol	Condition	min	typ	max	unit	Pin No.
Operating Voltage	V_{DD}		4.75		5.25	V	
Input 'H'-Level Voltage	V_{IH}		$0.7V_{DD}$			V	6,10
			$0.85V_{DD}$			V	5
Input 'L'-Level Voltage	V_{IL}				$0.3V_{DD}$	V	6,10
					$0.15V_{DD}$	V	5

Note: When soldering the 18-pin MFP package, solder it manually or use the infrared reflow method. Do not use the dip-soldering method. The conditions for the infrared reflow method are 235°C max., 10sec.

LC7385,7385M

DC Electrical Characteristics at $T_a = 25 \pm 2^\circ\text{C}$, $V_{DD} = 5\text{V}$, $V_{SS} = 0\text{V}$

Parameter	Symbol	Condition	min	typ	max	unit	Pin No.
Operating Supply Current	$I_{DD}(\text{op})$			3.0	7.0	mA	
Standby Supply Current	$I_{DD}(\text{st})$	PD = 5V			100	μA	
Output 'H'-Level Current	I_{OH}	$V_{OUT} = 4.6\text{V}$		-0.8	-0.4	mA	11,12,13 14,15,16
				-3.0	-1.2	mA	17
Output 'L'-Level Current	I_{OL}	$V_{OUT} = 0.4\text{V}$	1.0	2.5		mA	11,12,13 14,15,16
			1.2	3.0		mA	17
OFF-State Output Current	I_{OZH}	TOE = 0V, $V_{OUT} = 5\text{V}$			10	μA	11,12,13
	I_{OZL}	TOE = 0V, $V_{OUT} = 5\text{V}$	≈ 10			μA	14
Input 'H'-Level Current	I_{IH}	$V_{IN} = 5\text{V}$			10	μA	1,2,10
Input 'L'-Level Current	I_{IL}	$V_{IN} = 0\text{V}$	-10			μA	1,2,5,6
Pull-up (source) Current	I_{SO}	TOE = 0V	-15	-5		μA	10
Pull-down (sink) Current	I_{SI}	PD, B/H = 5V		5	15	μA	5,6
St/GT Threshold Voltage	V_{TST}			2.35		V	17
V_{REF} Output Voltage	V_{REF}	No load	2.4		2.7	V	4
V_{REF} Output Resistance	R_{REF}			1		$\text{k}\Omega$	4

Input Amplifier Characteristics at $T_a = 25 \pm 2^\circ\text{C}$, $V_{DD} = 5\text{V}$, $V_{SS} = 0\text{V}$

Parameter	Symbol	Condition	min	typ	max	unit
Input Offset Voltage	V_{IO}		-25		+25	mV
Input Offset Current	I_{IO}	$V_{SS} \leq V_{IN} \leq V_{DD}$		± 100		nA
Power Supply Rejection	PSRR	1kHz		60		dB
Common Mode Rejection	CMRR			60		dB
Open-Loop Voltage Gain	A_O			65		dB
0dB Gain Bandwidth	f_T			1.5		MHz
Maximum Output Voltage	V_O	$R_L \geq 100\text{k}\Omega$		4.5		V _{p-p}
Tolerable Capacitive Load	C_L			100		pF
Tolerable Resistive Load	R_L			50		$\text{k}\Omega$
Common Mode Range	V_{CM}	No load		3.0		V _{p-p}

LC7385,7385M

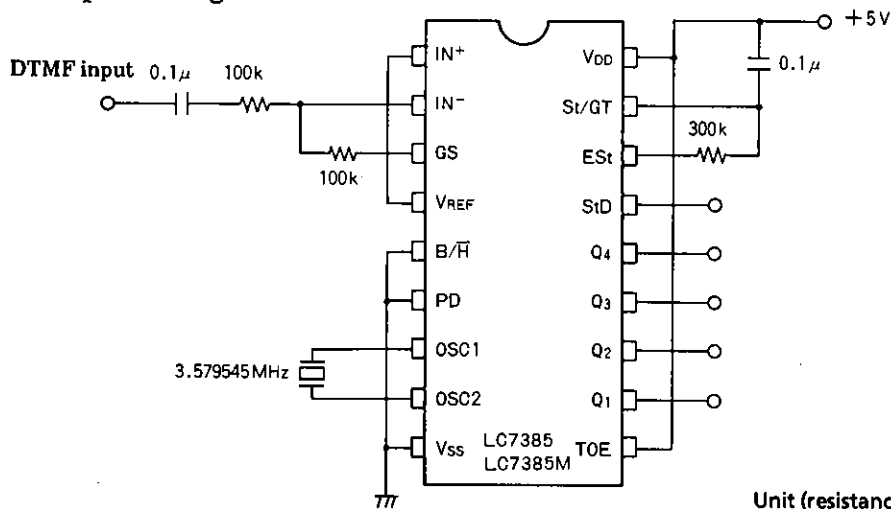
AC Characteristics at $T_a = 25 \pm 2^\circ\text{C}$, $V_{DD} = 5\text{V}$, $V_{SS} = 0\text{V}$, $f_{OSC} = 3.579545\text{MHz}$

Parameter	Symbol	Condition	min	typ	max	unit
Valid Input Signal Level		1, 2, 3, 5, 6, 9	-29		1.1	dBm
Twist Accept Limit		2, 3, 6, 9, 11		± 10		dB
Frequency Deviation Accept Limit		2, 3, 5, 9			$\pm 1.5\%$ $\pm 2\text{Hz}$	
Frequency Deviation Accept Limit		2, 3, 5	± 3.5			%
Third Tone Tolerance		2, 3, 4, 5, 9, 10		-16		dB
Dial tone Tolerance		2, 3, 4, 5, 8, 9, 10		+18		dB
Noise Tolerance		2, 3, 4, 5, 7, 9, 10		-12		dB
Tone Present Detection Time	t_{DP}	See timing diagram.	5	11	14	ms
Tone Absent Detection Time	t_{DA}		0.5	4.0	8.5	ms
Tone Duration Accept	t_{REC}	Adjustable. See Guard Time Adjustment.	40			ms
Tone Duration Reject	t_{REJ}				20	ms
Interdigit Pause Accept	t_{ID}		40			ms
Interdigit Pause Reject	t_{DO}				20	ms
Propagation Delay (St \rightarrow Q)	t_{PQ}	TOE = 5V, No load		8	11	μs
Propagation Delay (St \rightarrow StD)	t_{PSTD}	TOE = 5V, No load		12		μs
Output Data Set-Up (Q \rightarrow StD)	t_{QSTD}	TOE = 5V, No load		4.5		μs
Output Enable Delay	t_{PTE}	$R_L = 10\text{k}$, $C_L = 50\text{pF}$		50	100	ns
Output Disable Delay	t_{PTD}	$R_L = 10\text{k}$, $C_L = 50\text{pF}$		300		ns
Clock Frequency	f_{OSC}		3.5759	3.5795	3.5831	MHz
Clock Capacitive Load	C_{XO}	OSC2			30	pF

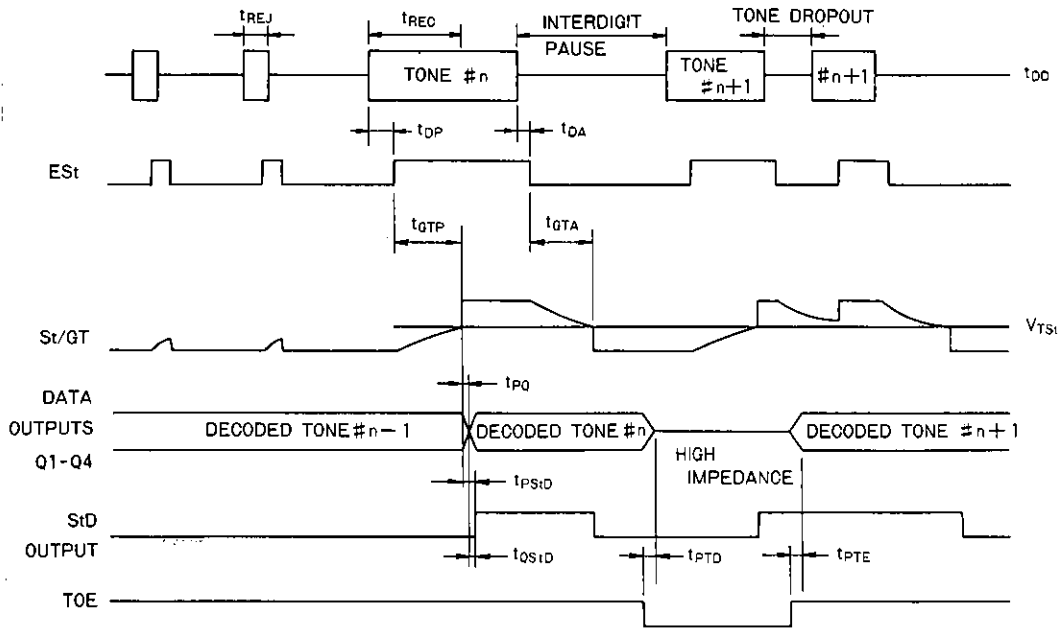
Conditions

1. dBm = decibels above or below a reference power of 1mW into a 600 Ω load
2. All 16 DTMF tones
3. 40ms DTMF tone duration and 40ms pause duration
4. Nominal DTMF frequencies
5. Both tones in composite signal have an equal amplitude.
6. Tone pair deviated by $\pm 1.5\% \pm 2\text{Hz}$
7. Bandwidth limited (0 to 3kHz) Gaussian noise
8. 350Hz and 440Hz + 2% dial tone frequencies
9. Error rate better than 1 in 10,000
10. Referenced to lowest level frequency component in DTMF signal
11. Twist = ratio of high-frequency tone level to low-frequency tone level

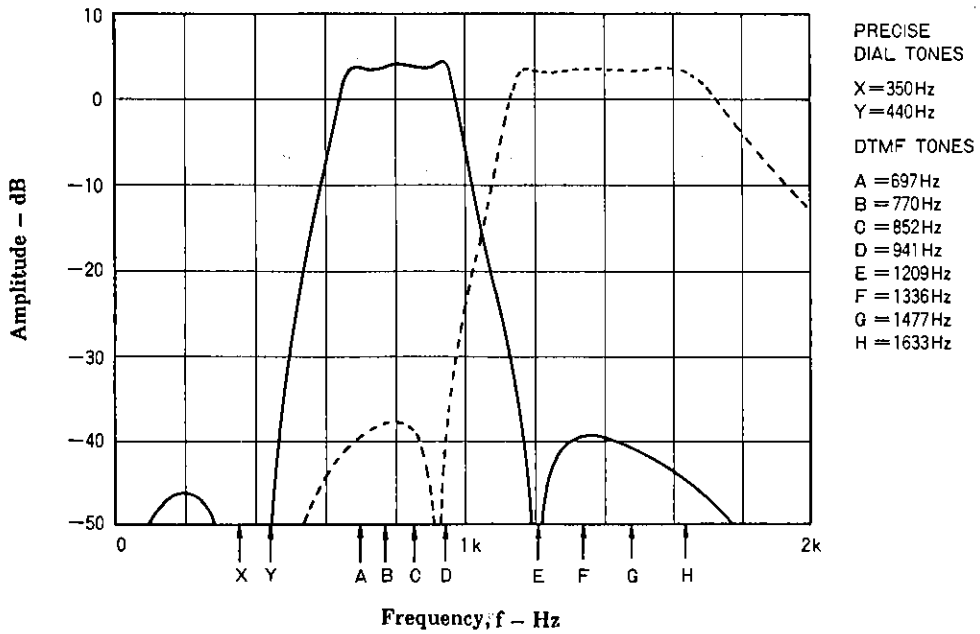
Single-Ended Input Configuration



Timing Diagram



Typical Filter Characteristics



Decode Table

FL	FH	KEY	TOE	B/ \bar{H} ="L"				B/ \bar{H} ="H"			
				Q4	Q3	Q2	Q1	Q4	Q3	Q2	Q1
697	1209	1	H	L	L	L	H	L	L	L	L
697	1336	2	H	L	L	H	L	L	L	L	H
697	1477	3	H	L	L	H	H	L	L	H	L
770	1209	4	H	L	H	L	L	L	H	L	L
770	1336	5	H	L	H	L	H	L	H	L	H
770	1477	6	H	L	H	H	L	L	H	H	L
852	1209	7	H	L	H	H	H	H	L	L	L
852	1336	8	H	H	L	L	L	H	L	L	H
852	1477	9	H	H	L	L	H	H	L	H	L
941	1336	0	H	H	L	H	L	H	H	L	H
941	1209	*	H	H	L	H	H	H	H	L	L
941	1477	#	H	H	H	L	L	H	H	H	L
697	1633	A	H	H	H	L	H	L	L	H	H
770	1633	B	H	H	H	H	L	L	H	H	H
852	1633	C	H	H	H	H	H	H	L	H	H
941	1633	D	H	L	L	L	L	H	H	H	H
—	—	—	L	Z	Z	Z	Z	Z	Z	Z	Z
									ROW m		COL n

Note : Z=High impedance

DTMF Dialing Matrix

	C1	C2	C3	C4
R1	1	2	3	A
R2	4	5	6	B
R3	7	8	9	C
R4	*	0	#	D

- No products described or contained herein are intended for use in surgical implants, life-support systems, aerospace equipment, nuclear power control systems, vehicles, disaster/crime-prevention equipment and the like, the failure of which may directly or indirectly cause injury, death or property loss.
- Anyone purchasing any products described or contained herein for an above-mentioned use shall:
 - ① Accept full responsibility and indemnify and defend SANYO ELECTRIC CO., LTD., its affiliates, subsidiaries and distributors and all their officers and employees, jointly and severally, against any and all claims and litigation and all damages, cost and expenses associated with such use;
 - ② Not impose any responsibility for any fault or negligence which may be cited in any such claim or litigation on SANYO ELECTRIC CO., LTD., its affiliates, subsidiaries and distributors or any of their officers and employees jointly or severally.
- Information (including circuit diagrams and circuit parameters) herein is for example only; it is not guaranteed for volume production. SANYO believes information herein is accurate and reliable, but no guarantees are made or implied regarding its use or any infringements of intellectual property rights or other rights of third parties.

Guard Time Setting

Component values are chosen using the following formula:

$$t_{REC} = t_{DP} + t_{GTP}$$

$$t_{ID} = t_{DA} + t_{GTA}$$

(a) **Basic Circuit**

$$t_{GTP} = RC \cdot \ln [V_{DD} / (V_{DD} - V_{TST})]$$

$$t_{GTA} = RC \cdot \ln (V_{DD} / V_{TST})$$

(b) $t_{GTP} < t_{GTA}$

$$t_{GTP} = R_1 R_2 / (R_1 + R_2) \cdot C \cdot \ln [V_{DD} / (V_{DD} - V_{TST})]$$

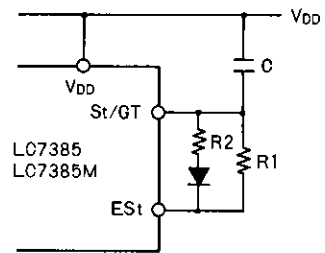
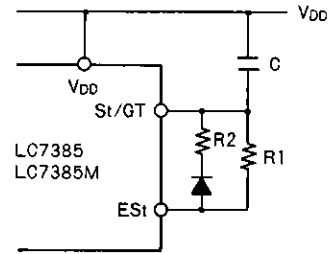
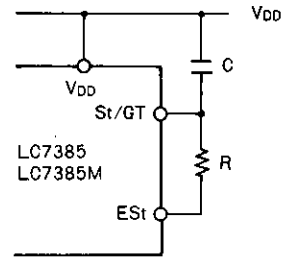
$$t_{GTA} = R_1 C \cdot \ln (V_{DD} / V_{TST})$$

(c) $t_{GTP} > t_{GTA}$

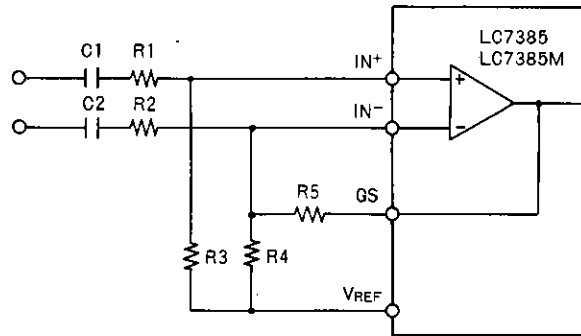
$$t_{GTP} = R_1 C \cdot \ln [V_{DD} / (V_{DD} - V_{TST})]$$

$$t_{GTA} = R_1 R_2 / (R_1 + R_2) \cdot C \cdot \ln (V_{DD} / V_{TST})$$

Guard Time Adjustment



Differential Input Configuration



Example of component values

$$C_1 = C_2 = 0.01 \mu F$$

$$R_1 = R_2 = R_5 = 100 k\Omega$$

$$R_4 = 60 k\Omega, R_3 = 37.5 k\Omega$$

$$R_3 = \frac{R_4 R_5}{R_4 + R_5}$$

Voltage gain : $A_v = \frac{R_5}{R_1}$

Input impedance = $2 \sqrt{R_1^2 + \left(\frac{1}{2\pi f c_1}\right)^2}$