

ASSP For power supply applications

BIPOLAR

Power Supply Monitor

MB3771

DESCRIPTION

The Fujitsu MB3771 is designed to monitor the voltage level of one or two power supplies (+5 V and an arbitrary voltage) in a microprocessor circuit, memory board in large-size computer, for example.

If the circuit's power supply deviates more than a specified amount, then the MB3771 generates a reset signal to the microprocessor. Thus, the computer data is protected from accidental erasure.

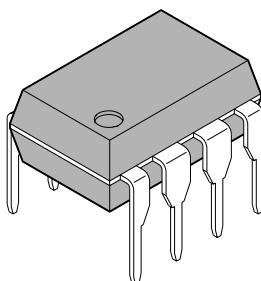
Using the MB3771 requires few external components. To monitor only a +5 V supply, the MB3771 requires the connection of one external capacitor. The level of an arbitrary detection voltage is determined by two external resistors. The MB3771 is available in an 8-pin Dual In-Line, Single In-Line Package or space saving Flat Package.

FEATURES

- Precision voltage detection ($V_{SA} = 4.2 \text{ V} \pm 2.5 \%$)
- User selectable threshold level with hysteresis ($V_{SB} = 1.23 \text{ V} \pm 1.5 \%$)
- Monitors the voltage of one or two power supplies (5 V and an arbitrary voltage, $>1.23 \text{ V}$)
- Usable as over voltage detector
- Low voltage output for reset signal ($V_{CC} = 0.8 \text{ V typ.}$)
- Minimal number of external components (one capacitor min.)
- Low power dissipation ($I_{CC} = 0.35 \text{ mA typ.}$, $V_{CC} = 5 \text{ V}$)
- Detection threshold voltage has hysteresis function
- Reference voltage is connectable.

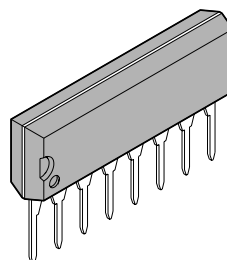
PACKAGES

8-pin plastic DIP



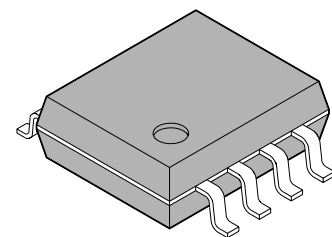
(DIP-8P-M01)

8-pin plastic SIP



(SIP-8P-M03)

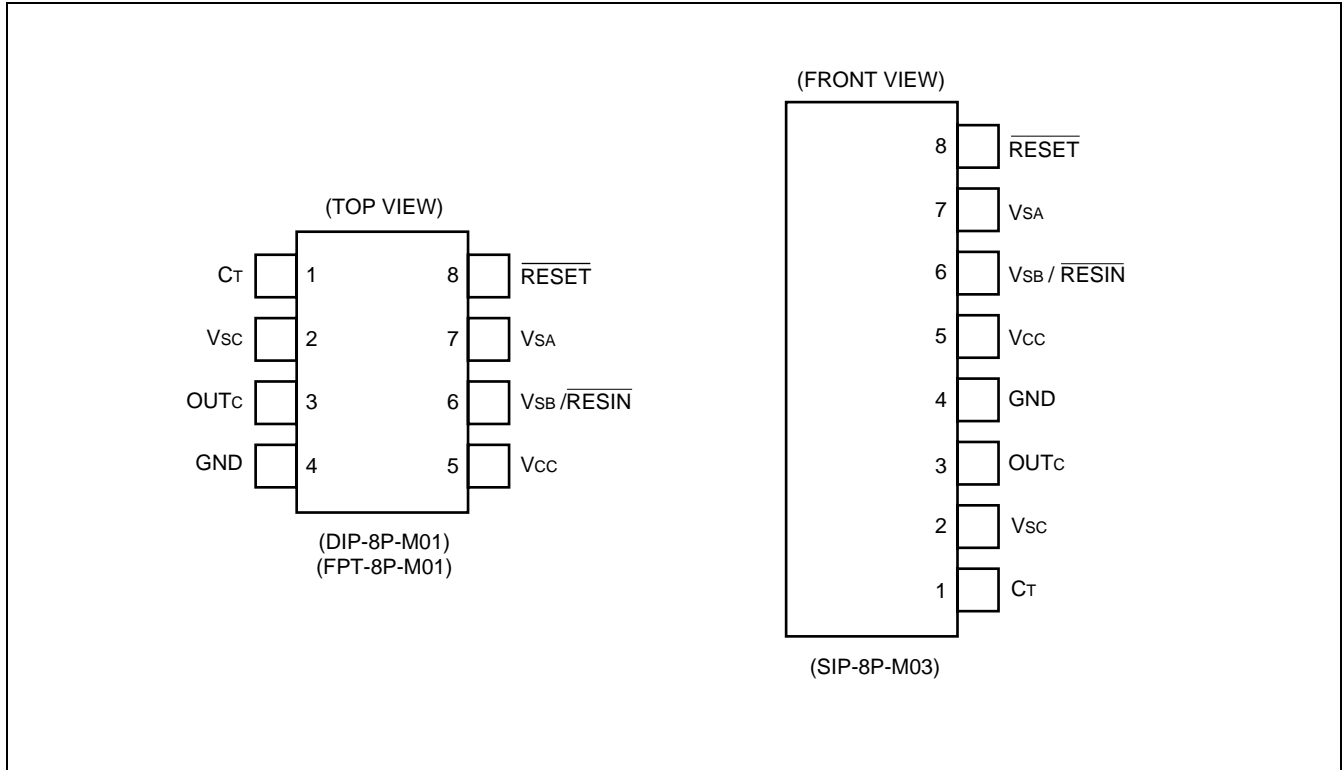
8-pin plastic SOIP



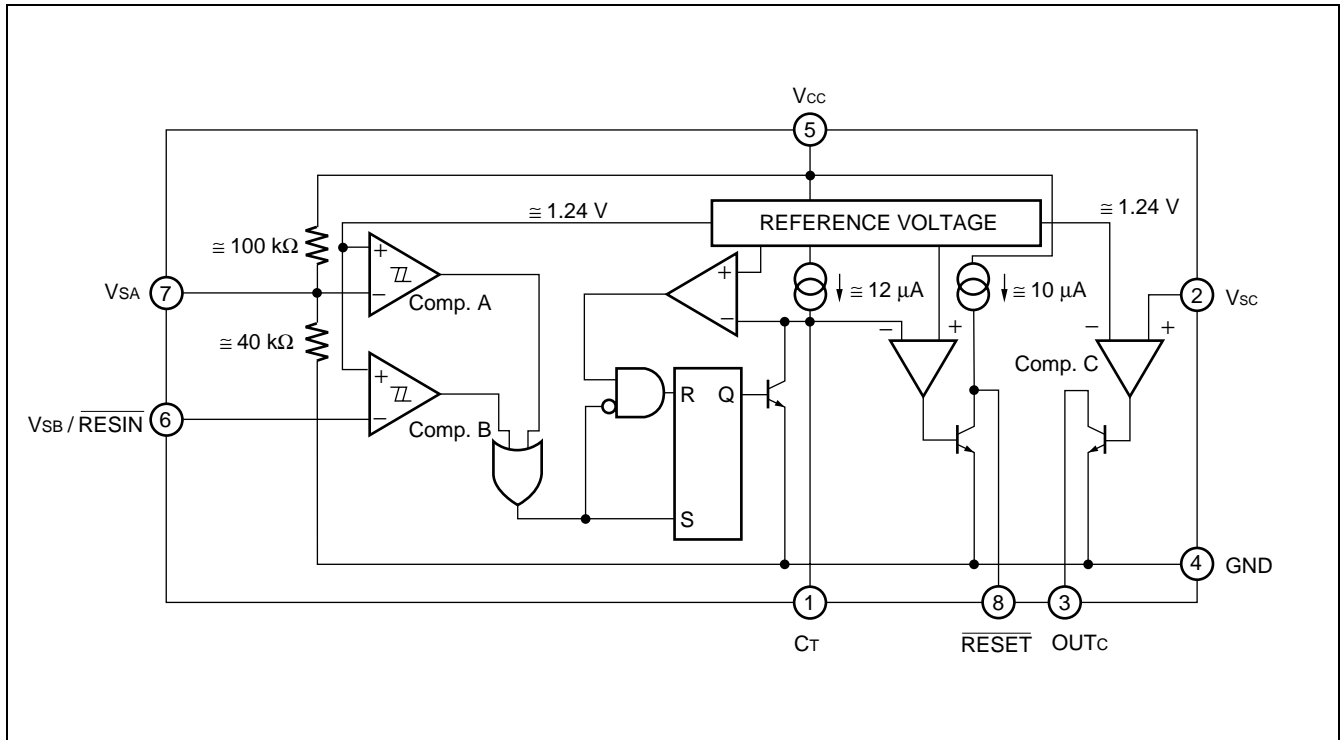
(FPT-8P-M01)

MB3771

PIN ASSIGNMENT



BLOCK DIAGRAM



FUNCTIONAL DESCRIPTIONS

Comparators Comp.A and Comp.B apply a hysteresis to the detected voltage, so that when the voltage at either the V_{SA} or V_{SB} pin falls below 1.23 V the \overline{RESET} output signal goes to “low” level.

Comp. B may be used to detect any given voltage(Sample Application 3), and can also be used as a forced reset pin (with reset hold time) with TTL input (Sample Application 6).

Note that if Comp.B is not used, the V_{SB} pin should be connected to the V_{CC} pin (Sample Application 1).

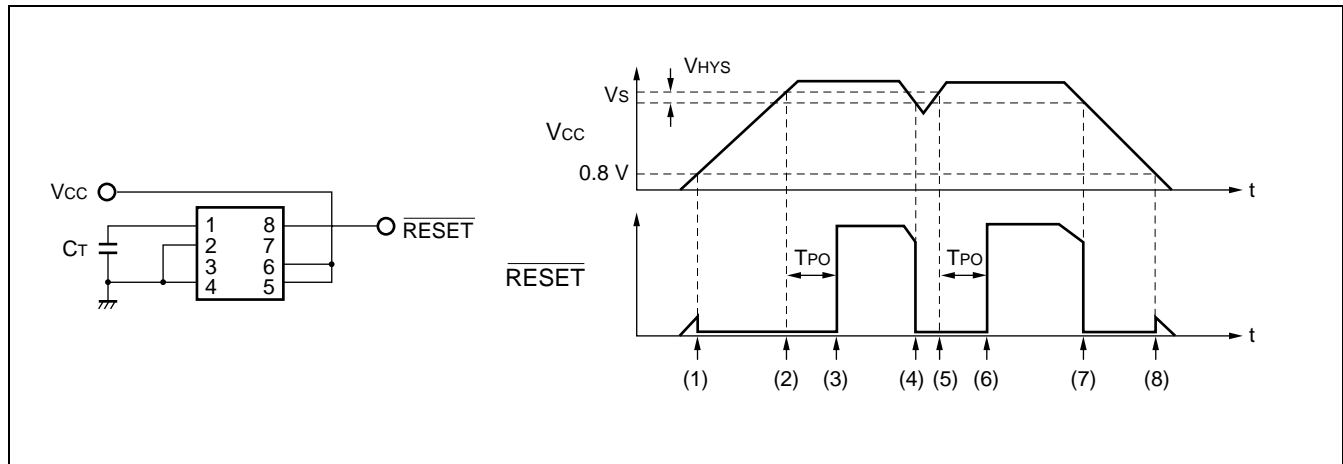
Instantaneous breaks or drops in the power supply can be detected as abnormal conditions by the MB3771 within a 2 μs interval. However because momentary breaks or drops of this duration do not cause problems in actual systems in some cases, a delayed trigger function can be created by connecting capacitors to the V_{SA} or V_{SB} pin (Sample Application 8).

Because the \overline{RESET} output has built-in pull-up resistance, there is no need to connect to external pull-up resistance when connected to a high impedance load such as a CMOS logic IC.

Comparator Comp. C is an open-collector output comparator without hysteresis, in which the polarity of input/output characteristics is reversed. Thus Comp. C is useful for over-voltage detection (Sample Application 11) and positive logic \overline{RESET} signal output (Sample Application 7), as well as for creating a reference voltage (Sample Application 10).

Note that if Comp. C is not used, the V_{SC} pin should be connected to the GND pin (Sample Application 1).

FUNCTION EXPLANATION



(1) When V_{CC} rises to about 0.8V, \overline{RESET} goes low.

(2) When V_{CC} reaches $V_S + V_{HYS}$, C_T then begins charging. \overline{RESET} remains low during this time

(3) \overline{RESET} goes high when C_T begins charging.

$$T_{PO} \approx C_T \times 10^5 \text{ (Refer to } C_T \text{ pin capacitance vs. hold time)}$$

(4) When V_{CC} level drops lower than V_S , then \overline{RESET} goes low and C_T starts discharging.

(5) When V_{CC} level reaches $V_S + V_{HYS}$, then C_T starts charging.

In the case of voltage sagging, if the period from the time V_{CC} goes lower than or equal to V_S to the time V_{CC} reaches $V_S + V_{HYS}$ again, is longer than t_{PI} , (as specified in the AC Characteristics), C_T is discharged and charged successively.

(6) After T_{PO} passes, and V_{CC} level exceeds $V_S + V_{HYS}$, then \overline{RESET} goes high.

(7) Same as Point 4.

(8) \overline{RESET} remains low until V_{CC} drops below 0.8V.

■ ABSOLUTE MAXIMUM RATINGS

Parameter	Symbol	Rating		Unit
		Min.	Max.	
Power supply voltage	V _{CC}	-0.3	+20	V
Input voltage	V _{SA}	-0.3	V _{CC} + 0.3 (< +20)	V
	V _{SB}	-0.3	+20	V
	V _{SC}	-0.3	+20	V
Power dissipation	P _D	—	200 (T _a ≤ 85 °C)	mW
Storage temperature	T _{stg}	-55	+125	°C

WARNING: Semiconductor devices can be permanently damaged by application of stress (voltage, current, temperature, etc.) in excess of absolute maximum ratings. Do not exceed these ratings.

■ RECOMMENDED OPERATING CONDITIONS

Parameter	Symbol	Value		Unit
		Min.	Max.	
Power supply voltage	V _{CC}	3.5	18	V
Output current	I _{RESET}	0	20	mA
	I _{OUTC}	0	6	mA
Operating ambient temperature	T _{op}	-40	+85	°C

WARNING: The recommended operating conditions are required in order to ensure the normal operation of the semiconductor device. All of the device's electrical characteristics are warranted when the device is operated within these ranges.

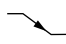
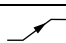
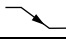
Always use semiconductor devices within their recommended operating condition ranges. Operation outside these ranges may adversely affect reliability and could result in device failure.

No warranty is made with respect to uses, operating conditions, or combinations not represented on the data sheet. Users considering application outside the listed conditions are advised to contact their FUJITSU representatives beforehand.

■ ELECTRICAL CHARACTERISTICS

1. DC Characteristics

($V_{CC} = 5\text{ V}$, $T_a = +25\text{ °C}$)

Parameter	Symbol	Conditions	Value			Unit
			Min.	Typ.	Max.	
Power supply current	I_{CC1}	$V_{SB} = 5\text{ V}$, $V_{SC} = 0\text{ V}$	—	350	500	μA
	I_{CC2}	$V_{SB} = 0\text{ V}$, $V_{SC} = 0\text{ V}$	—	400	600	μA
Detection voltage	V_{SAL} (DOWN)	V_{CC} 	4.10	4.20	4.30	V
		$T_a = -40\text{ °C}$ to $+85\text{ °C}$	4.05	4.20	4.35	V
	V_{SAH} (UP)	V_{CC} 	4.20	4.30	4.40	V
		$T_a = -40\text{ °C}$ to $+85\text{ °C}$	4.15	4.30	4.45	V
Hysteresis width	V_{HYSA}	—	50	100	150	mV
Detection voltage	V_{SB}	V_{SB} 	1.212	1.230	1.248	V
		$T_a = -40\text{ °C}$ to $+85\text{ °C}$	1.200	1.230	1.260	V
Deviation of detection voltage	ΔV_{SB}	$V_{CC} = 3.5\text{ V}$ to 18 V	—	3	10	mV
Hysteresis width	V_{HYSB}	—	14	28	42	mV
Input current	I_{IHB}	$V_{SB} = 5\text{ V}$	—	0	250	nA
	I_{ILB}	$V_{SB} = 0\text{ V}$	—	20	250	nA
“H” level output voltage	V_{OHR}	$I_{RESET} = -5\text{ }\mu\text{A}$, $V_{SB} = 5\text{ V}$	4.5	4.9	—	V
Output saturation voltage	V_{OLR}	$I_{RESET} = 3\text{ mA}$, $V_{SB} = 0\text{ V}$	—	0.28	0.4	V
		$I_{RESET} = 10\text{ mA}$, $V_{SB} = 0\text{ V}$	—	0.38	0.5	V
Output sink current	I_{RESET}	$V_{OLR} = 1.0\text{ V}$, $V_{SB} = 0\text{ V}$	20	40	—	mA
CT charge current	I_{CT}	$V_{SB} = 5\text{ V}$, $V_{CT} = 0.5\text{ V}$	9	12	16	μA
Input current	I_{IHC}	$V_{SC} = 5\text{ V}$	—	0	500	nA
	I_{ILC}	$V_{SC} = 0\text{ V}$	—	50	500	nA
Detection voltage	V_{SC}	—	1.225	1.245	1.265	V
		$T_a = -40\text{ °C}$ to $+85\text{ °C}$	1.205	1.245	1.285	V
Deviation of detection voltage	ΔV_{SC}	$V_{CC} = 3.5\text{ V}$ to 18 V	—	3	10	mV
Output leakage current	I_{OHC}	$V_{OHC} = 18\text{ V}$	—	0	1	μA
Output saturation voltage	V_{OLC}	$I_{OUTC} = 4\text{ mA}$, $V_{SC} = 5\text{ V}$	—	0.15	0.4	V
Output sink current	I_{OUTC}	$V_{OLC} = 1.0\text{ V}$, $V_{SC} = 5\text{ V}$	6	15	—	mA
Reset operation minimum supply voltage	V_{CCL}	$V_{OLR} = 0.4\text{ V}$, $I_{RESET} = 200\text{ }\mu\text{A}$	—	0.8	1.2	V

2. AC Characteristics

($V_{CC} = 5\text{ V}$, $T_a = +25\text{ }^\circ\text{C}$, $C_T = 0.01\text{ }\mu\text{F}$)

Parameter	Symbol	Conditions	Value			Unit
			Min.	Typ.	Max.	
V_{SA} , V_{SB} input pulse width	t_{PI}	—	5.0	—	—	μs
$\overline{\text{RESET}}$ output pulse width	t_{PO}	—	0.5	1.0	1.5	ms
$\overline{\text{RESET}}$ rise time	t_r	$R_L = 2.2\text{ k}\Omega$, $C_L = 100\text{ pF}$	—	1.0	1.5	μs
$\overline{\text{RESET}}$ fall time	t_f		—	0.1	0.5	μs
Propagation delay time	t_{PD}^{*1}	—	—	2	10	μs
	t_{PHL}^{*2}	$R_L = 2.2\text{ k}\Omega$, $C_L = 100\text{ pF}$	—	0.5	—	μs
	t_{PLH}^{*2}		—	1.0	—	μs

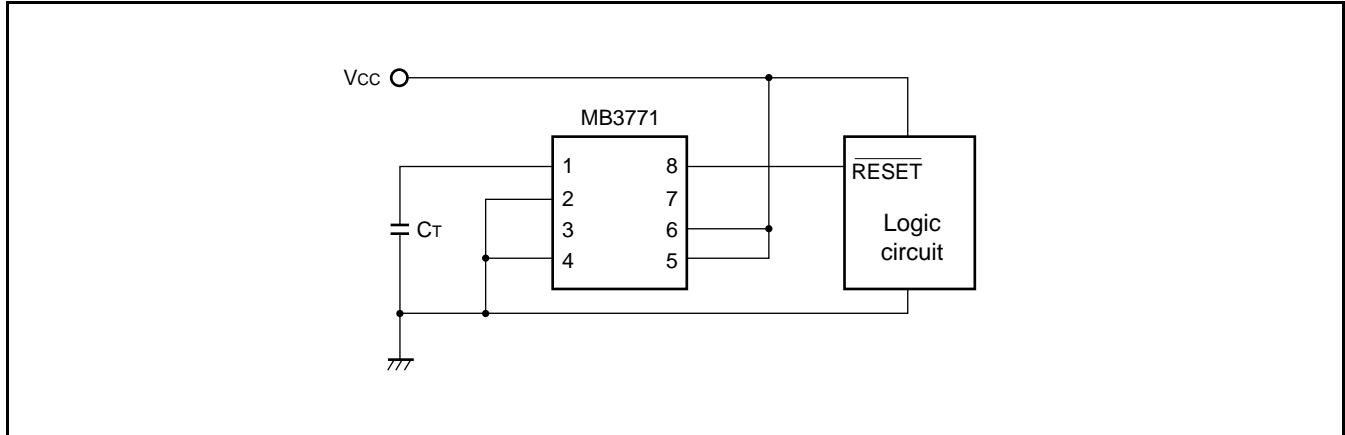
*1: In case of V_{SB} termination.

*2: In case of V_{SC} termination.

APPLICATION CIRCUIT

1. 5V Power Supply Monitor

Monitored by V_{SA} . Detection threshold voltage is V_{SAL} and V_{SAH}



2. 5V Power Supply Voltage Monitor (Externally Fine-Tuned Type)

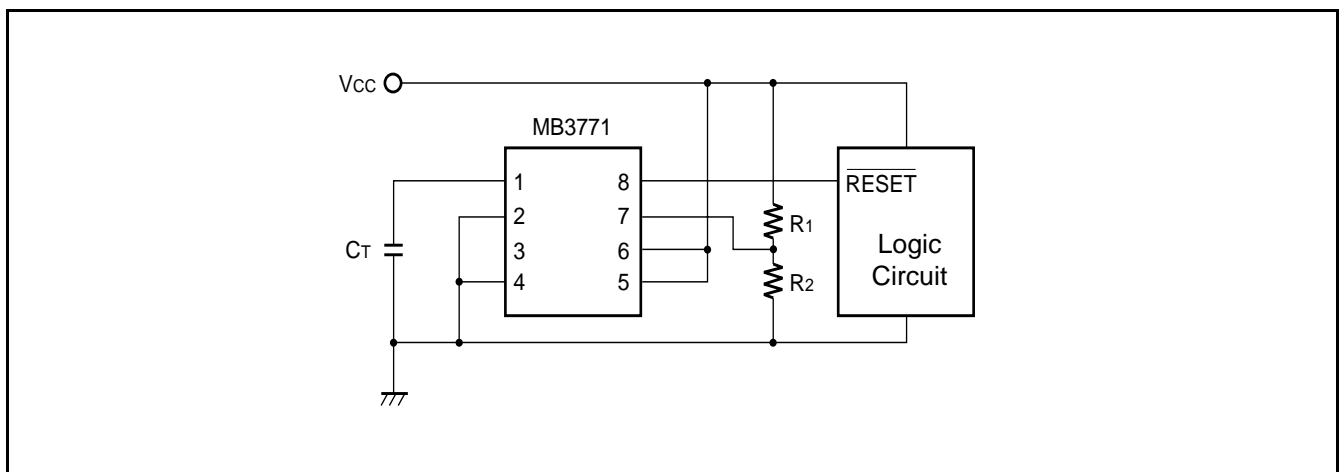
The V_{SA} detection voltage can be adjusted externally.

Resistance R_1 and R_2 are set sufficiently lower than the IC internal partial voltage resistance, so that the detection voltage can be set using the ratio between resistance R_1 and R_2 . (See the table below).

- R_1 , R_2 calculation formula (when $R_1 \ll 100 \text{ k}\Omega$, $R_2 \ll 40 \text{ k}\Omega$)

$$V_{SAL} \doteq (R_1 + R_2) \times V_{SB} / R_2 \text{ [V]}, \quad V_{SAH} \doteq (R_1 + R_2) \times (V_{SB} + V_{HYSB}) / R_2 \text{ [V]}$$

R_1 (k Ω)	R_2 (k Ω)	Detection voltage : V_{SAL} (V)	Detection voltage : V_{SAH} (V)
10	3.9	4.37	4.47
9.1	3.9	4.11	4.20

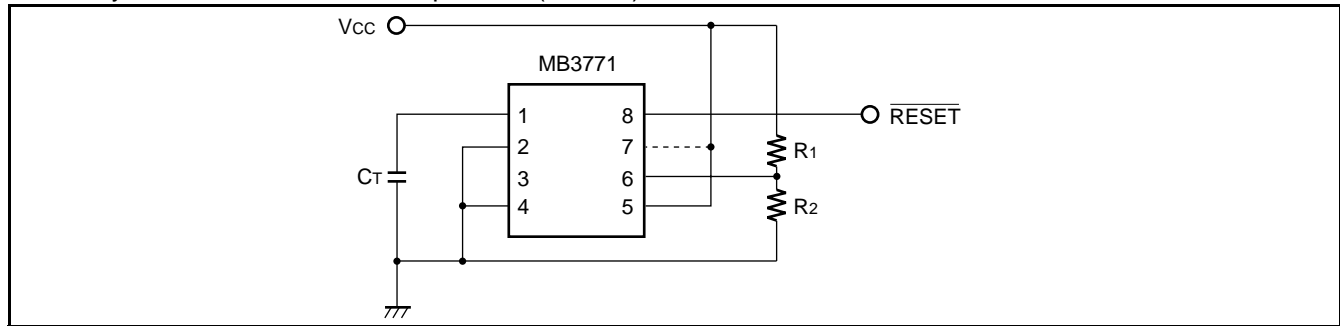


3. Arbitrary Voltage Supply Monitor

(1) Case: $V_{CC} \leq 18\text{ V}$

- Detection Voltage can be set by R_1 and R_2 .
 $\text{Detection Voltage} = (R_1 + R_2) \times V_{SB}/R_2$
- Connect Pin 7 to V_{CC} when V_{CC} less than 4.45 V.
- Pin 7 can be opened when V_{CC} greater than 4.45 V
 Power Dissipation can be reduced.

Note : Hysteresis of 28 mV at V_{SB} at termination is available.
 Hysteresis width dose not depend on $(R_1 + R_2)$.

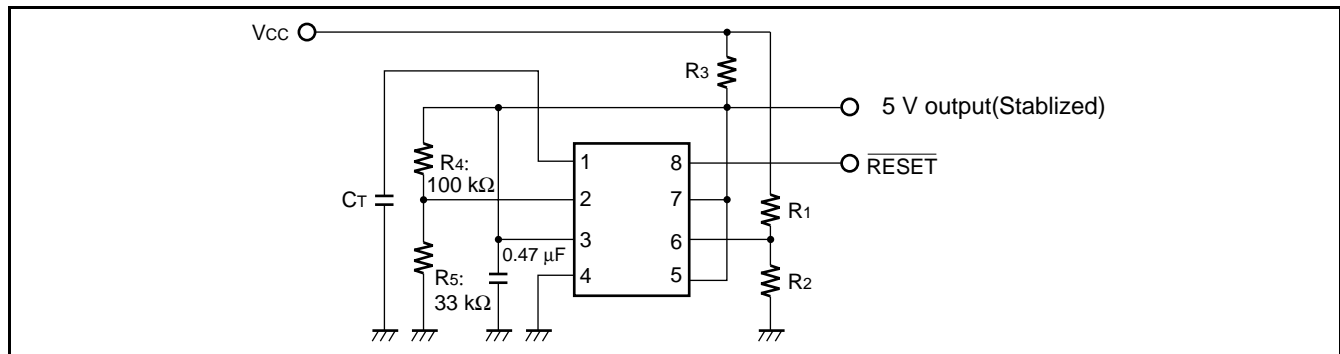


(2) Monitoring $V_{CC} > 18\text{ V}$

- Detection Voltage can be set by R_1 and R_2
 $\text{Detection Voltage} = (R_1 + R_2) \times V_{SB}/R_2$
- The $\overline{\text{RESET}}$ signal output is $\neq 0\text{ V}$ (low level) and $\neq 5\text{ V}$ (high level). V_{CC} voltage cannot be output.
 Do not pull up $\overline{\text{RESET}}$ to V_{CC} .
- Changing the resistance ratio between R_4 and R_5 changes the constant voltage output, thereby changing the voltage of the high level $\overline{\text{RESET}}$ output. Note that the constant voltage output should not exceed 18 V.
- The 5 V output can be used as a power supply for control circuits with low current consumption.
- In setting the R_3 resistance level, caution should be given to the power consumption in the resistor. The table below lists sample resistance values for reference (using $1/4\ \Omega$ resistance).

V_{CC} (V)	Detection voltage (V)	$\overline{\text{RESET}}$ Output min. power supply voltage (V)	R_1 (M Ω)	R_2 (k Ω)	R_3 (k Ω)	Output Current (mA)
140	100	6.7	1.6	20	110	< 0.2
100	81	3.8	1.3	20	56	< 0.5
40	33	1.4	0.51	20	11	< 1.6

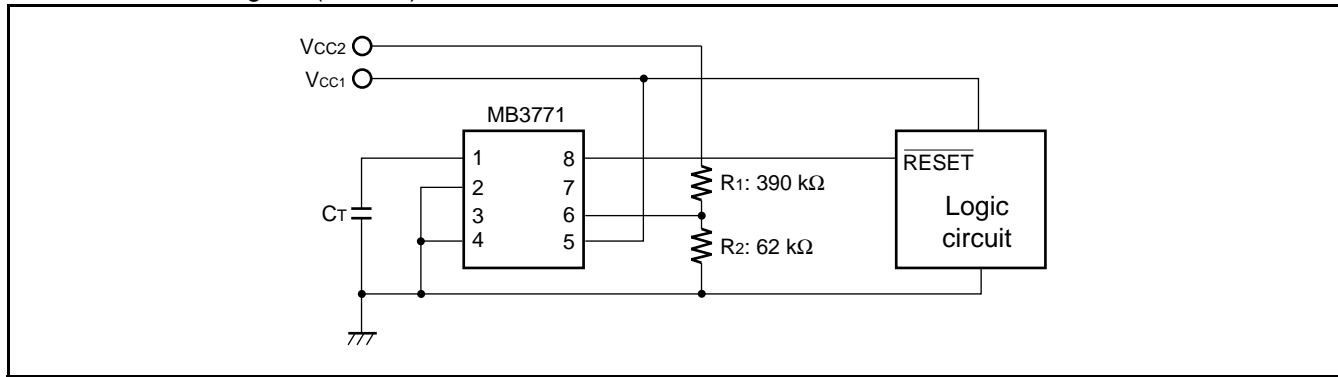
- Values are actual measured values (using $I_{OUTC} = 100\ \mu\text{A}$, $V_{OLC} = 0.4\text{ V}$). Lowering the resistance value of R_3 reduces the minimum supply voltage of the $\overline{\text{RESET}}$ output, but requires resistance with higher allowable loss.



4. 5 V and 12 V Power Supply Monitor (2 types of power supply monitor $V_{CC1} = 5\text{ V}$, $V_{CC2} = 12\text{ V}$)

- 5 V is monitored by V_{SA} . Detection voltage is about 4.2 V
- 12 V is monitored by V_{SB} . When $R_1 = 390\text{ k}\Omega$ and $R_2 = 62\text{ k}\Omega$, Detection voltage is about 9.0 V. Generally the detection voltage is determined by the following equation.

$$\text{Detection Voltage} = (R_1 + R_2) \times V_{SB}/R_2$$

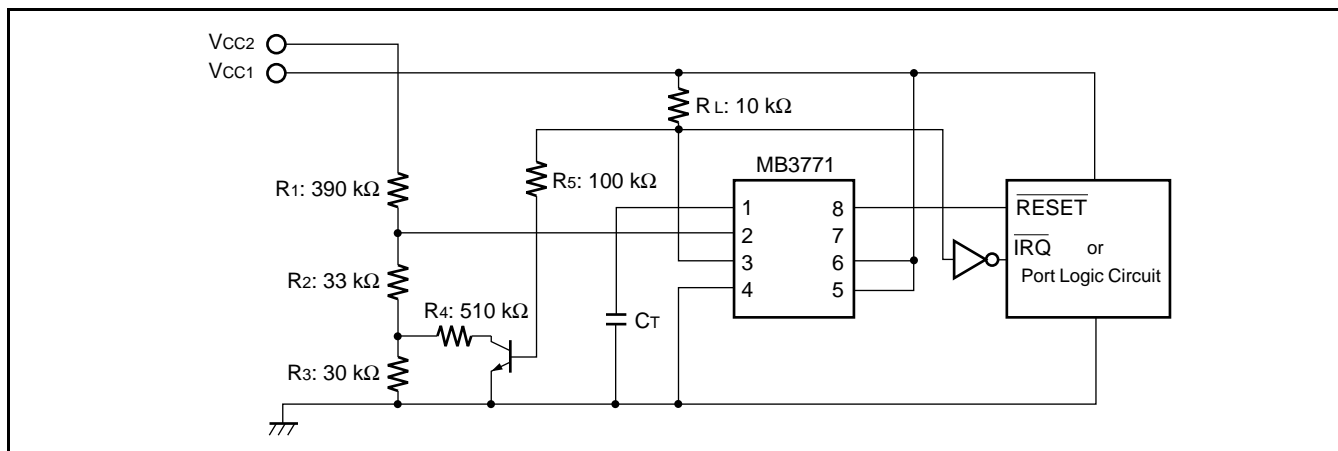


5. 5 V and 12 V Power Supply Monitor ($\overline{\text{RESET}}$ signal is generated by 5 V, $V_{CC1} = 5\text{ V}$, $V_{CC2} = 12\text{ V}$)

- 5 V is monitored by V_{SA} , and generates $\overline{\text{RESET}}$ signal when V_{SA} detects voltage sagging.
- 12 V is monitored by V_{SC} , and generates its detection signal at OUT_C .
- The detection voltage of 12 V monitoring and its hysteresis is determined by the following equations.

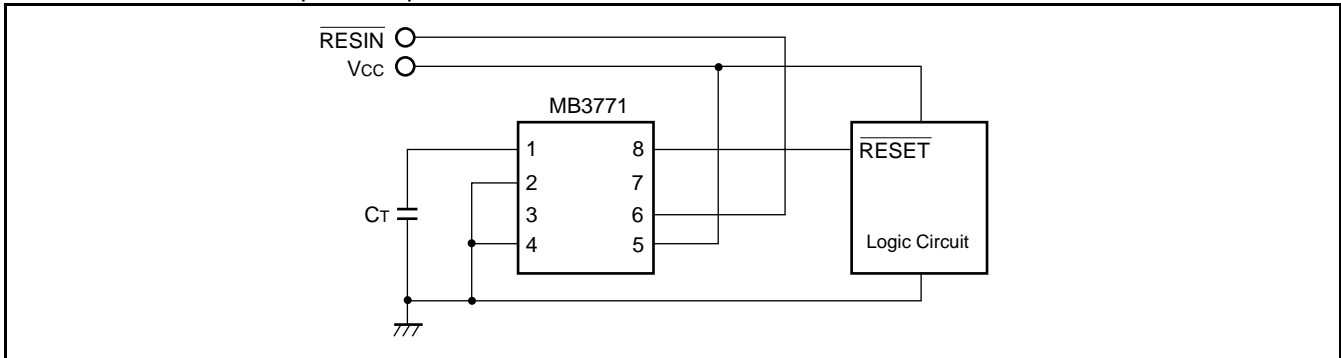
$$\text{Detection voltage} = \frac{R_1 + R_2 + R_3}{R_2 + R_3} \times V_{SC} \quad (8.95\text{ V in the circuit above})$$

$$\text{Hysteresis width} = \frac{R_1 (R_3 - R_3 // R_4)}{(R_2 + R_3) (R_2 + R_3 // R_4)} \times V_{SC} \quad (200\text{ mV in the circuit above})$$



6. 5 V Power Supply Monitor with forced $\overline{\text{RESET}}$ input ($V_{CC} = 5 \text{ V}$)

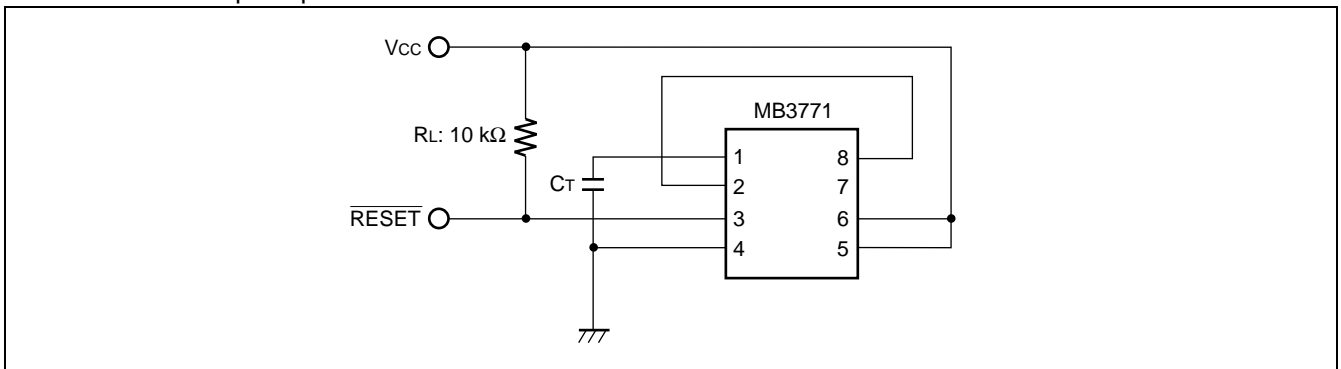
$\overline{\text{RESIN}}$ is an TTL compatible input.



7. 5 V Power Supply Monitor with Non-inverted $\overline{\text{RESET}}$

In this case, Comparator C is used to invert $\overline{\text{RESET}}$ signal. OUTC is an open-collector output.

RL is used as a pull-up resistor.

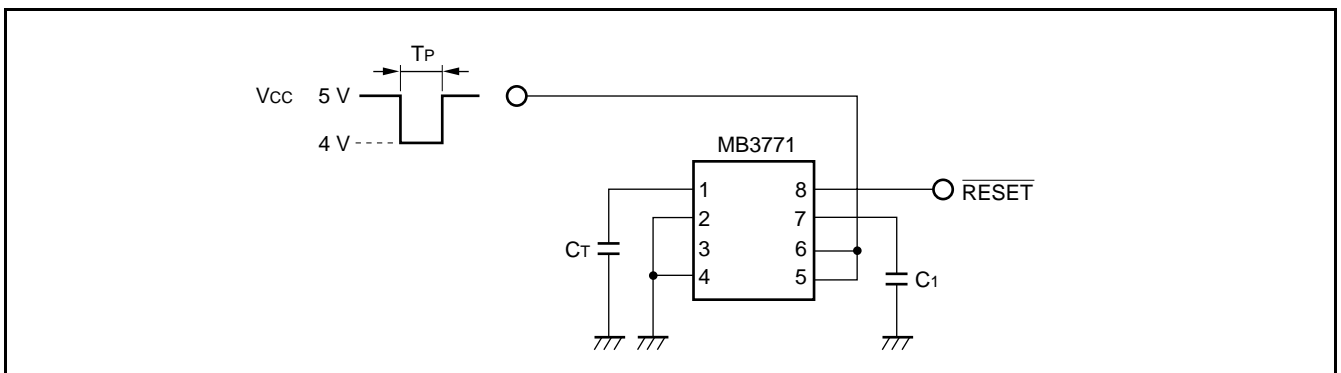


8. Supply Voltage Monitoring with Delayed Trigger

When the voltage shown in the diagram below is applied at V_{CC} , the minimum value of the input pulse width is increased to $40 \mu\text{s}$ (when $C_1 = 1000 \text{ pF}$).

The formula for calculating the minimum value of the input pulse width [T_{PI}] is:

$$T_{PI} [\mu\text{s}] \doteq 4 \times 10^{-2} \times C_1 [\text{pF}]$$



9. Dual (Positive/Negative) Power Supply Voltage Monitoring ($V_{CC} = 5\text{ V}$, $V_{EE} = \text{Negative Power Supply}$)

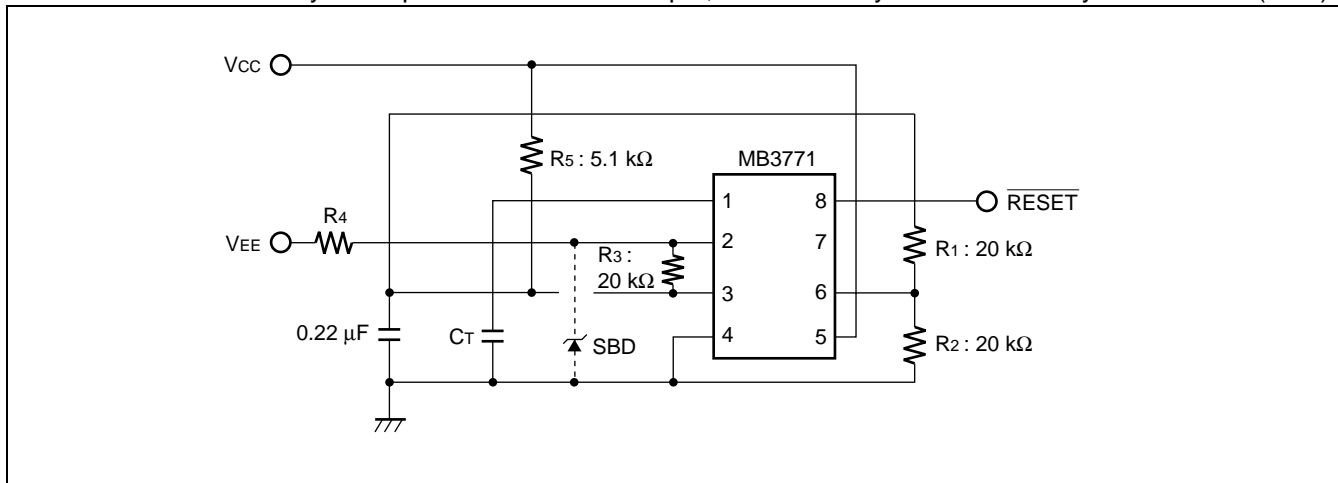
Monitors a 5 V and a negative (any given level) power supply. R_1 , R_2 , and R_3 should be the same value.

$$\text{Detection Voltage} = V_{SB} - V_{SB} \times R_4/R_3$$

Example if $V_{EE} = -5\text{ V}$, $R_4 = 91\text{ k}\Omega$

Then the detected voltage = -4.37 V

In cases where V_{EE} may be output when V_{CC} is not output, it is necessary to use a Schottky barrier diode (SBD).



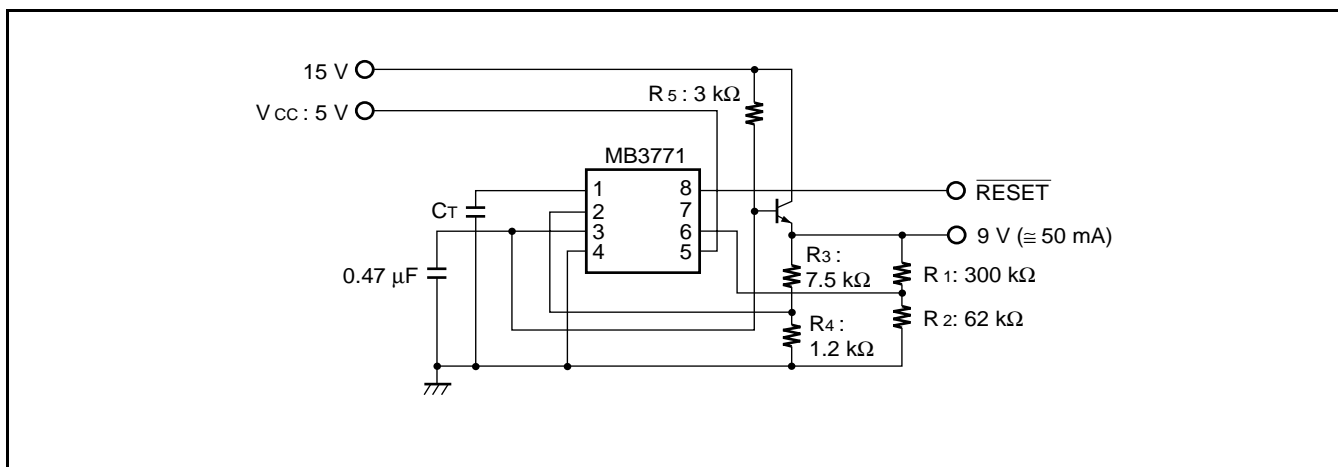
10. Reference Voltage Generation and Voltage Sagging Detection

(1) 9V Reference Voltage Generation and 5V/9V Monitoring

$$\text{Detection Voltage} = 7.2\text{ V}$$

In the above examples, the output voltage and the detection voltage are determined by the following equations:

$$\text{Detection Voltage} = (R_1 + R_2) \times V_{SB}/R_2$$



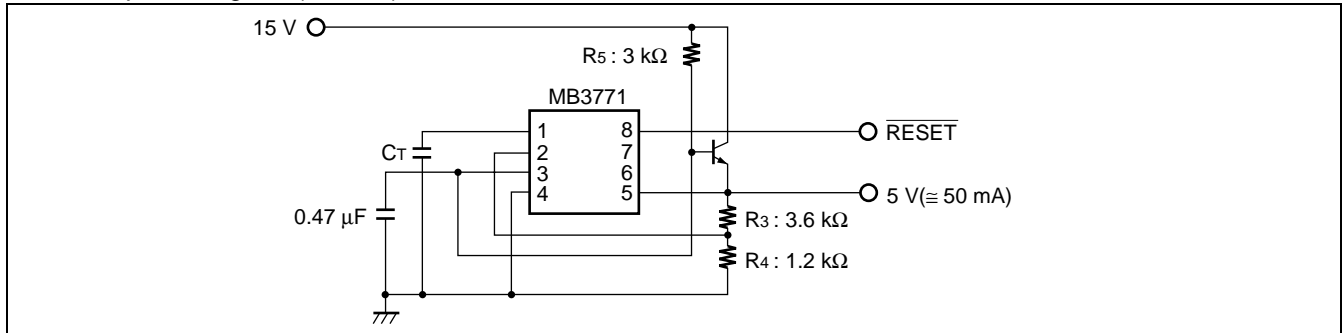
MB3771

(2) 5 V Reference Voltage Generation and 5V Monitoring (No.1)

Detection Voltage = 4.2 V

In the above examples, the output voltage and the detection voltage are determined by the following equations:

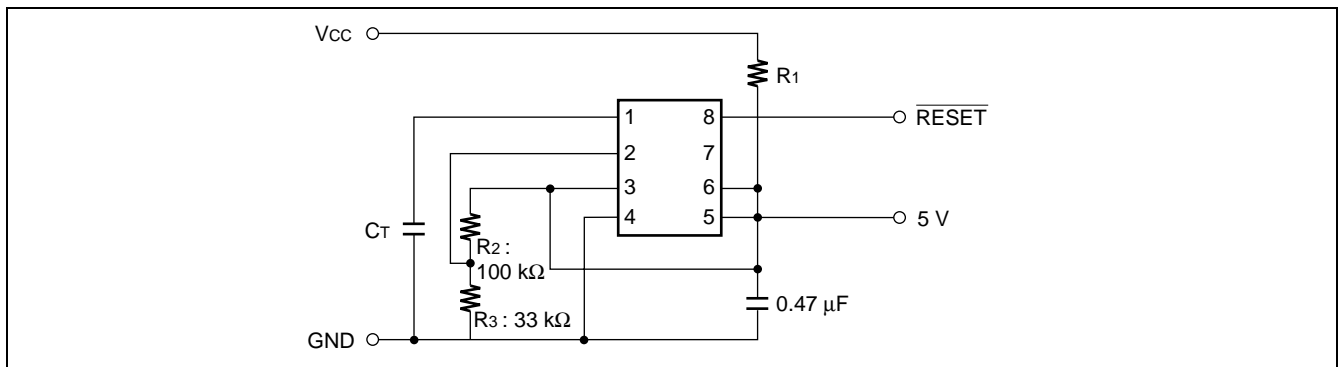
$$\text{Output Voltage} = (R_3 + R_4) \times V_{sc}/R_4$$



(3) 5 V Reference Voltage Generation and 5 V Monitoring (No. 2)

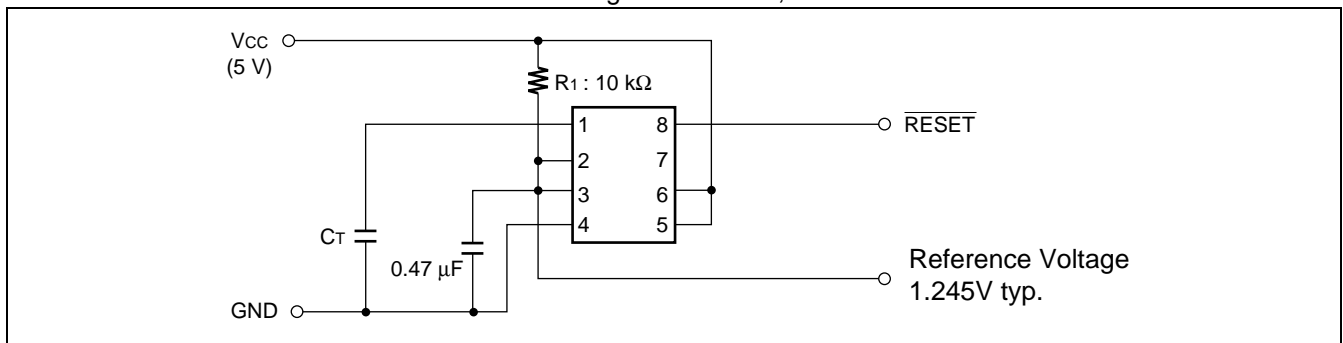
The value of R_1 should be calculated from the current consumption of the MB3771, the current flowing at R_2 and R_3 , and the 5 V output current. The table below provides sample resistance values for reference.

V_{cc} (V)	R_1 (k Ω)	Output Current (mA)
40	11	< 1.6
24	6.2	< 1.4
15	4.7	< 0.6



(4) 1.245 V Reference Voltage Generation and 5 V Monitoring

Resistor R_1 determines Reference current. Using 1.2 k Ω as R_1 , reference current is about 2 mA.

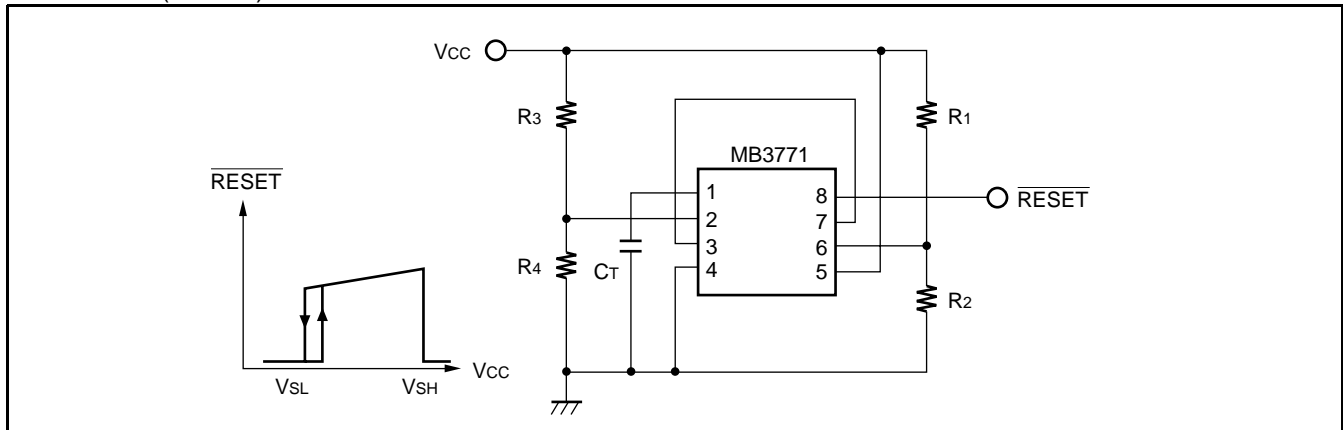


11. Low Voltage and Over Voltage Detection ($V_{CC} = 5\text{ V}$)

V_{SH} has no hysteresis. When over voltage is detected, $\overline{\text{RESET}}$ is held in the constant time as well as when low voltage is detected.

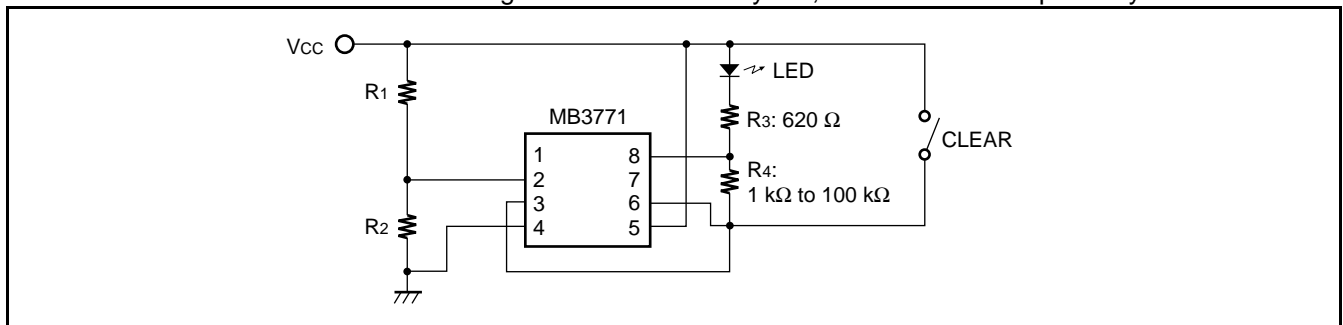
$$V_{SL} = (R_1 + R_2) \times V_{SB}/R_2$$

$$V_{SH} = (R_3 + R_4) \times V_{SC}/R_4$$



12. Detection of Abnormal State of Power Supply System ($V_{CC} = 5\text{ V}$)

- This Example circuit detects abnormal low/over voltage of power supply voltage and is indicated by LED indicator. LED is reset by the CLEAR key.
- The detection levels of low/over voltages are determined by V_{SA} , and R_1 and R_2 respectively.



13. Back-up Power Supply System (V_{CC} = 5 V)

- Use CMOS Logic and connect V_{DD} of CMOS logic with V_{CCO}.
- The back-up battery works after CS goes high as V₂ < V₁.
- During t_{P0}, memory access is prohibited.
- CS's threshold voltage V₁ is determined by the following equation:

$$V_1 = V_F + (R_1 + R_2 + R_3) \times V_{SB}/R_3$$

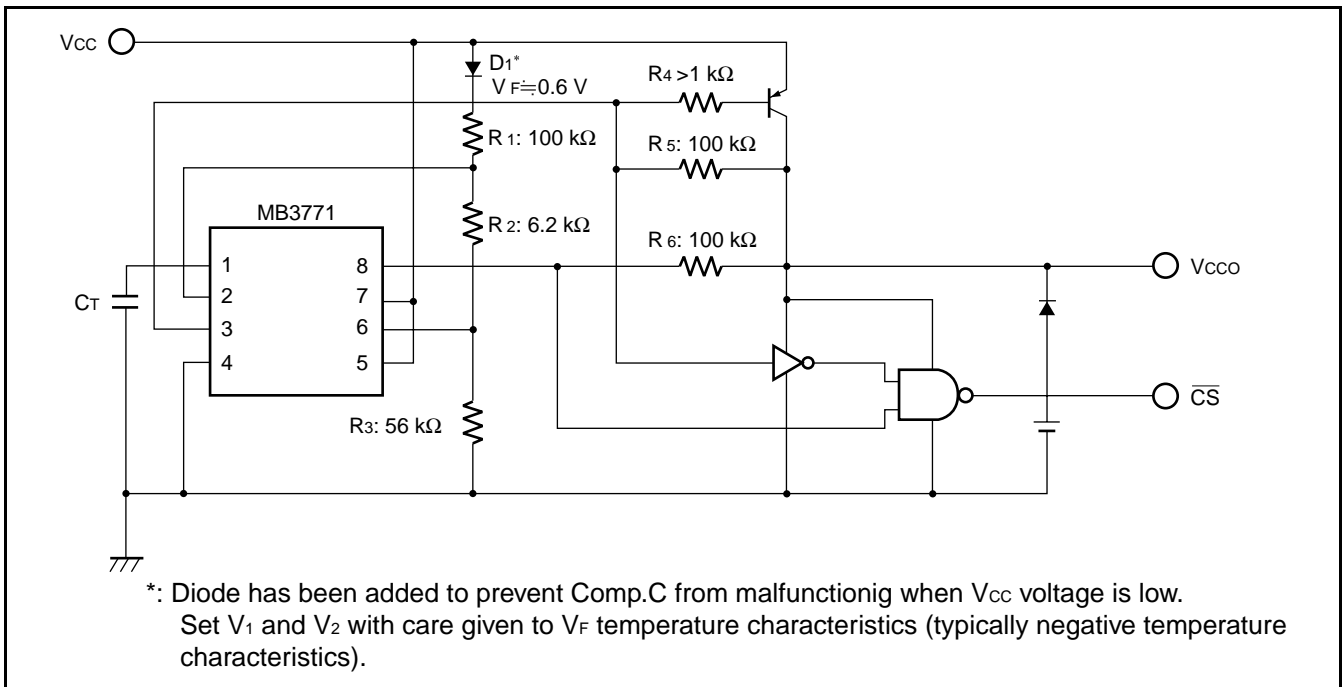
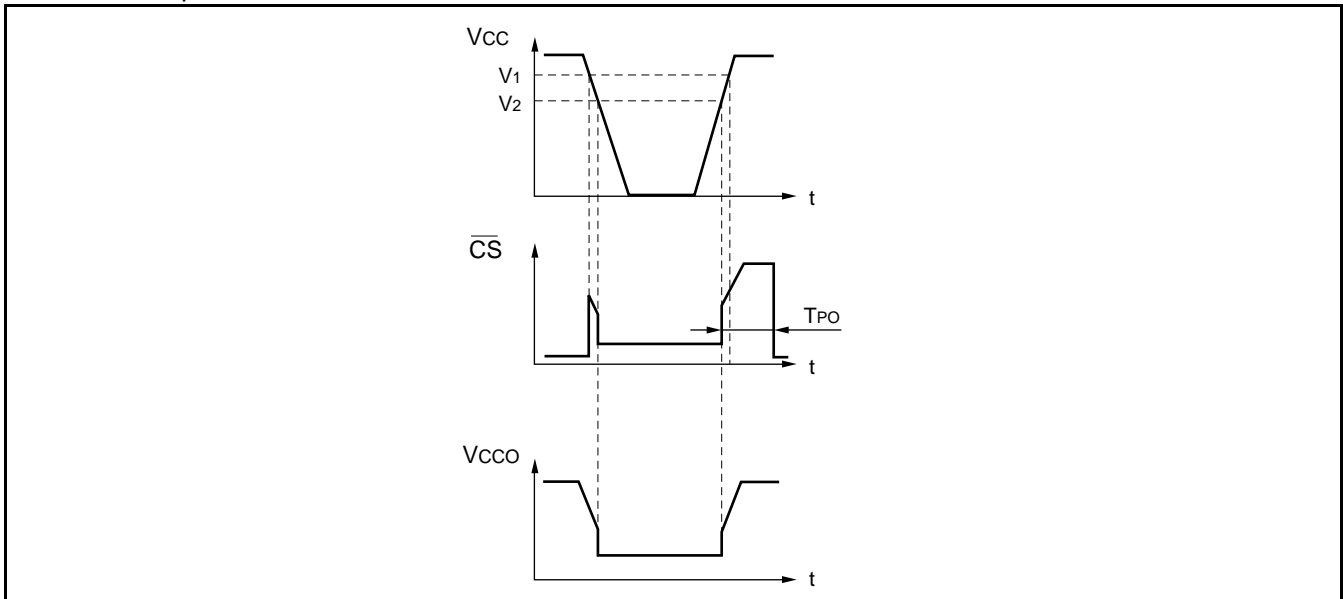
When V₁ is 4.45 V or less, connect 7 pin with V_{CC}.

When V₁ is 4.45 V or more, 7 pin can be used to open.

- The voltage to change V₂ is provided as the following equation:

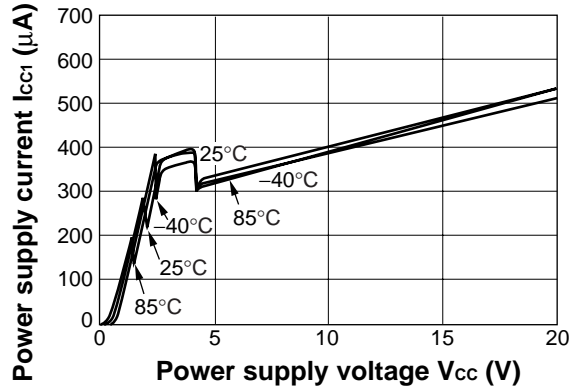
$$V_2 = V_F + (R_1 + R_2 + R_3) \times V_{SC}/(R_2 + R_3)$$

However, please set V₂ to 3.5 V or more.

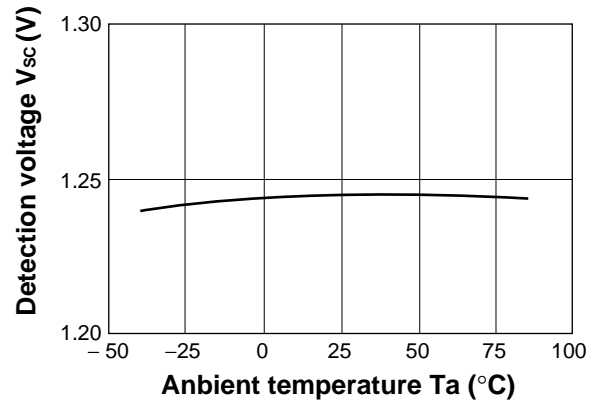


TYPICAL CHARACTERISTICS

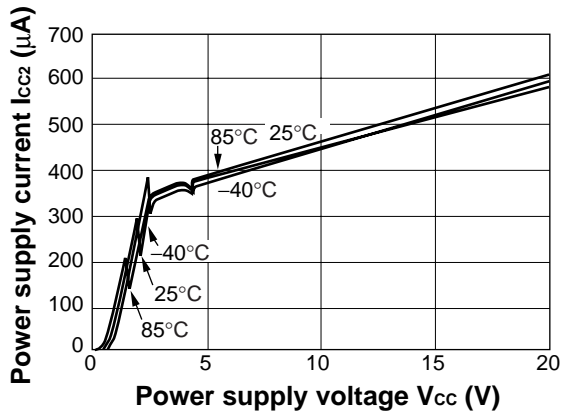
Power supply current vs. power supply voltage



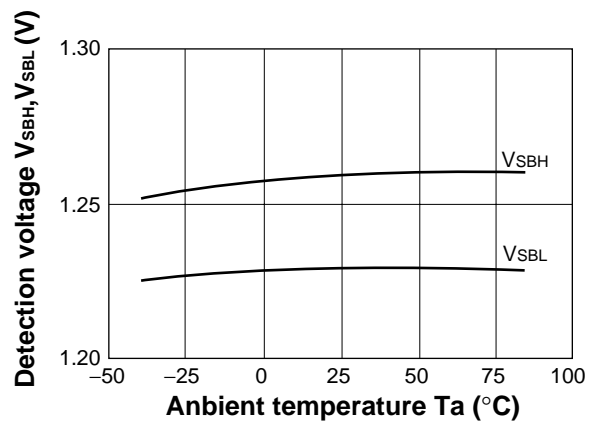
Detection voltage (V_{sc}) vs. ambient temperature



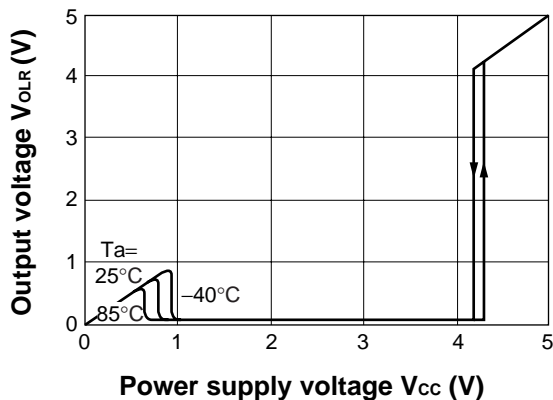
Power supply current vs. power supply voltage



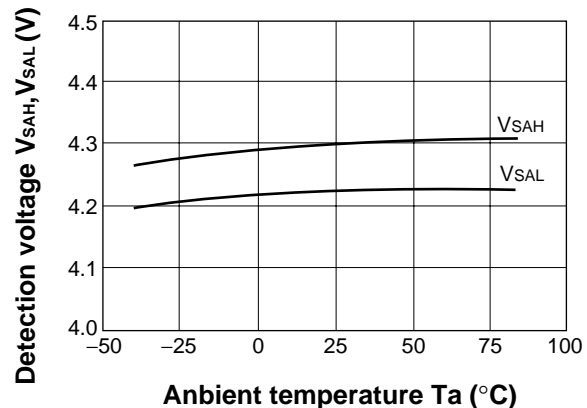
Detection voltage (V_{sb}) vs. ambient temperature



Output (RESET) voltage vs. power supply voltage



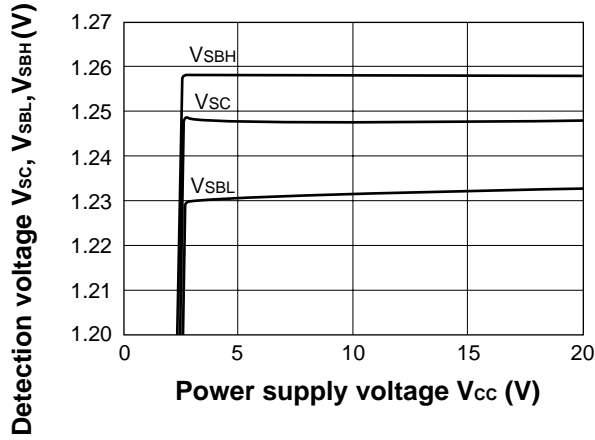
Detection voltage (V_{sa}) vs. ambient temperature



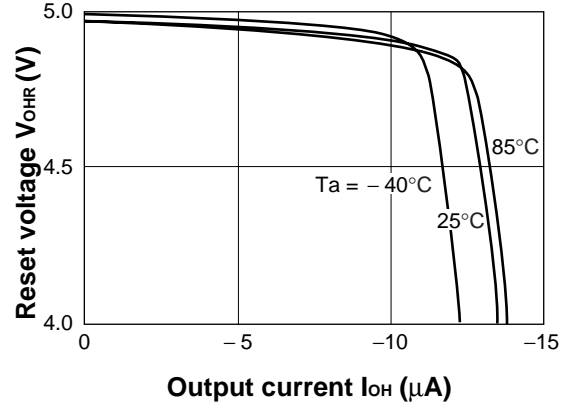
(Continued)

(Continued)

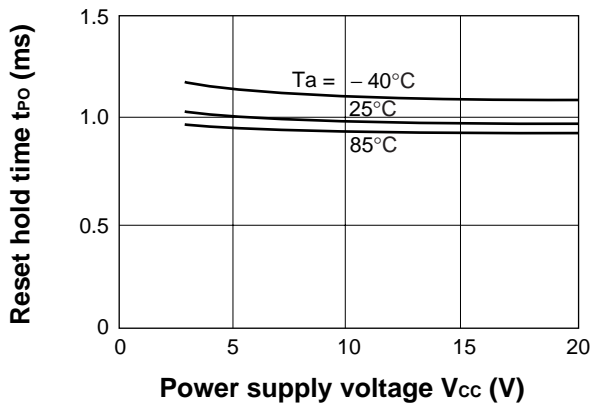
Detection voltage (V_{SB} , V_{SC}) vs. Power supply voltage



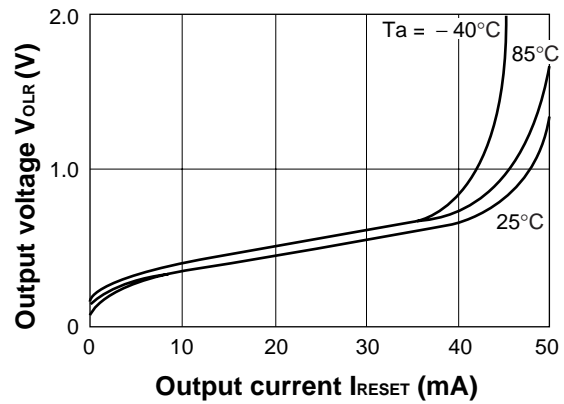
Reset voltage (\overline{RESET}) vs. output current



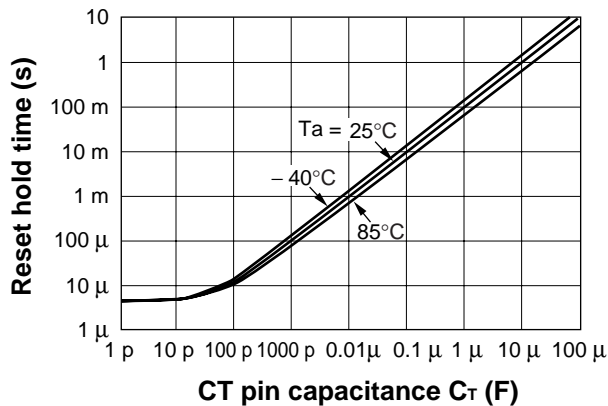
Reset hold time vs. power supply voltage ($C_T = 0.01\mu F$)



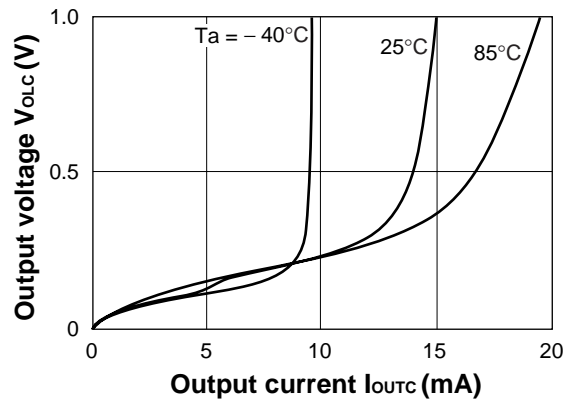
Output (\overline{RESET}) voltage vs. output current



C_T pin capacitance vs. reset hold time



Output voltage (OUT_C) vs. output current



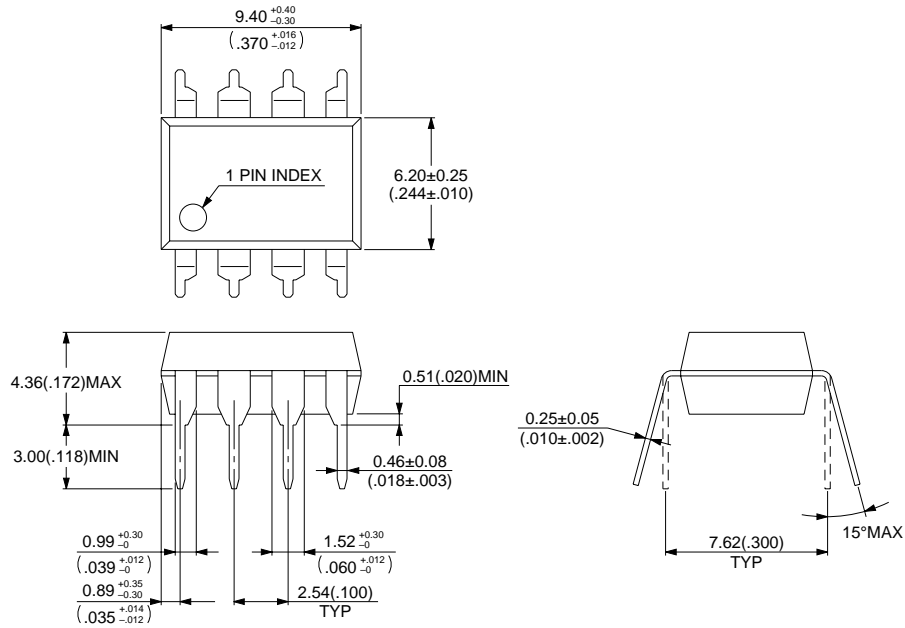
■ ORDERING INFORMATION

Part number	Package	Remarks
MB3771P	8-pin Plastic DIP (DIP-8P-M01)	
MB3771PS	8-pin Plastic SIP (SIP-8P-M03)	
MB3771PF	8-pin Plastic SOP (FPT-8P-M01)	

MB3771

■ PACKAGE DIMENSIONS

8-pin Plastic DIP
(DIP-8P-M01)



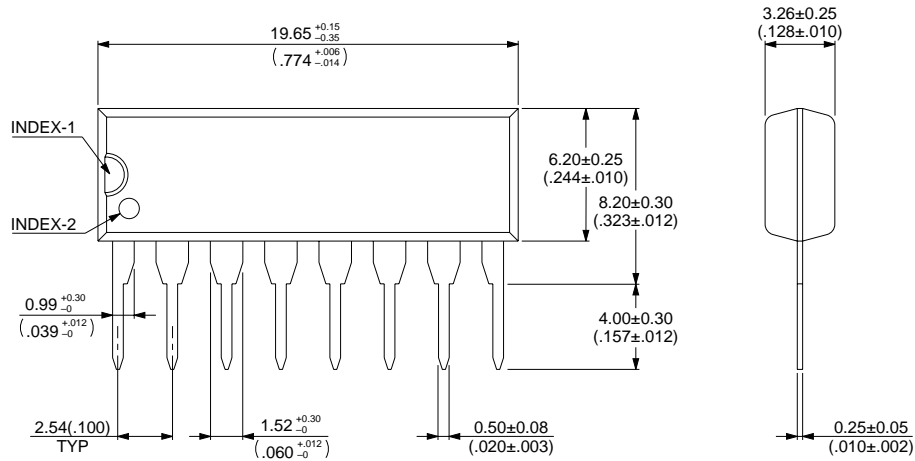
© 1994 FUJITSU LIMITED D08006S-2C-3

Dimensions in mm (inches)

(Continued)

(Continued)

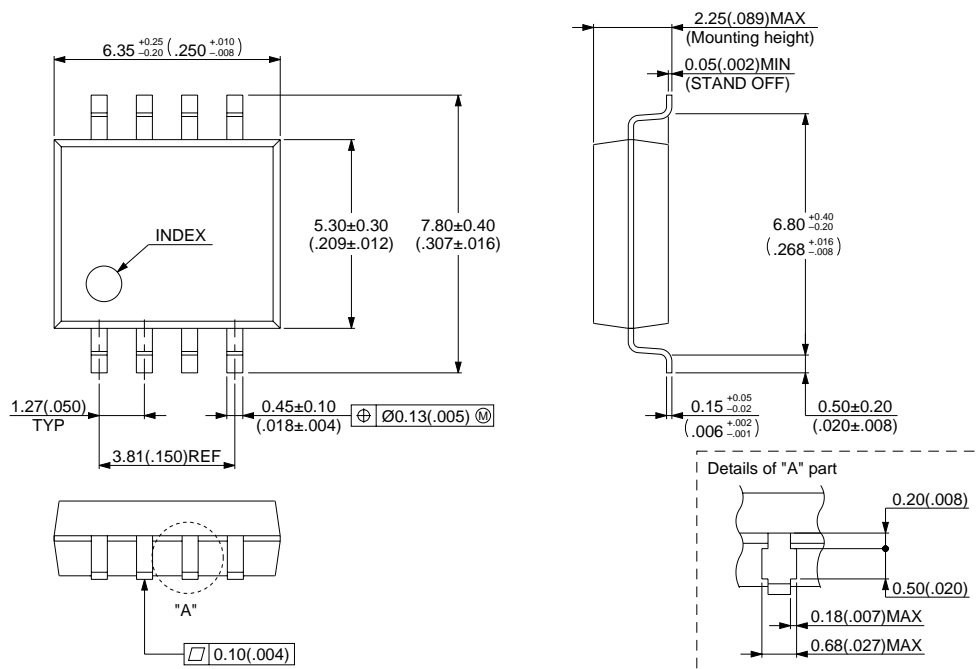
8-pin Plastic SIP (SIP-8P-M03)



© 1994 FUJITSU LIMITED S08010S-3C-2

Dimensions in mm (inches)

8-pin Plastic SOP (FPT-8P-M01)



© 1994 FUJITSU LIMITED F08002S-4C-4

Dimensions in mm (inches)

FUJITSU LIMITED

For further information please contact:

Japan

FUJITSU LIMITED
Corporate Global Business Support Division
Electronic Devices
KAWASAKI PLANT, 4-1-1, Kamikodanaka,
Nakahara-ku, Kawasaki-shi,
Kanagawa 211-8588, Japan
Tel: +81-44-754-3763
Fax: +81-44-754-3329

<http://www.fujitsu.co.jp/>

North and South America

FUJITSU MICROELECTRONICS, INC.
3545 North First Street,
San Jose, CA 95134-1804, USA
Tel: +1-408-922-9000
Fax: +1-408-922-9179

Customer Response Center
Mon. - Fri.: 7 am - 5 pm (PST)
Tel: +1-800-866-8608
Fax: +1-408-922-9179

<http://www.fujitsumicro.com/>

Europe

FUJITSU MICROELECTRONICS EUROPE GmbH
Am Siebenstein 6-10,
D-63303 Dreieich-Buchsschlag,
Germany
Tel: +49-6103-690-0
Fax: +49-6103-690-122

<http://www.fujitsu-fme.com/>

Asia Pacific

FUJITSU MICROELECTRONICS ASIA PTE LTD
#05-08, 151 Lorong Chuan,
New Tech Park,
Singapore 556741
Tel: +65-281-0770
Fax: +65-281-0220

<http://www.fmap.com.sg/>

F0001

© FUJITSU LIMITED Printed in Japan

All Rights Reserved.

The contents of this document are subject to change without notice.

Customers are advised to consult with FUJITSU sales representatives before ordering.

The information and circuit diagrams in this document are presented as examples of semiconductor device applications, and are not intended to be incorporated in devices for actual use. Also, FUJITSU is unable to assume responsibility for infringement of any patent rights or other rights of third parties arising from the use of this information or circuit diagrams.

The contents of this document may not be reproduced or copied without the permission of FUJITSU LIMITED.

FUJITSU semiconductor devices are intended for use in standard applications (computers, office automation and other office equipments, industrial, communications, and measurement equipments, personal or household devices, etc.).
CAUTION:

Customers considering the use of our products in special applications where failure or abnormal operation may directly affect human lives or cause physical injury or property damage, or where extremely high levels of reliability are demanded (such as aerospace systems, atomic energy controls, sea floor repeaters, vehicle operating controls, medical devices for life support, etc.) are requested to consult with FUJITSU sales representatives before such use. The company will not be responsible for damages arising from such use without prior approval.

Any semiconductor devices have inherently a certain rate of failure. You must protect against injury, damage or loss from such failures by incorporating safety design measures into your facility and equipment such as redundancy, fire protection, and prevention of over-current levels and other abnormal operating conditions.

If any products described in this document represent goods or technologies subject to certain restrictions on export under the Foreign Exchange and Foreign Trade Control Law of Japan, the prior authorization by Japanese government should be required for export of those products from Japan.