

# DATA SHEET

## **TDA8007B**

**Double multiprotocol IC card  
interface**

Product specification  
Supersedes data of 2000 Aug 29  
File under Integrated Circuits, IC02

2000 Nov 09

## Double multiprotocol IC card interface

## TDA8007B

### FEATURES

- Control and communication through an 8-bit parallel interface, compatible with multiplexed or non-multiplexed memory access
- Specific ISO UART with parallel access on I/O for automatic convention processing, variable baud rate through frequency or division ratio programming, error management at character level for T = 0, extra guard time register
- 1 to 8 characters FIFO in reception mode
- Parity error counter in reception mode
- Dual V<sub>CC</sub> generation (5 V ±5%, 65 mA (max.) or 3 V ±8%, 50 mA (max.) with controlled rise and fall times)
- Dual cards clock generation (up to 10 MHz), with two times synchronous frequency doubling
- Cards clock STOP HIGH, clock STOP LOW or 1.25 MHz (from internal oscillator) for cards Power-down mode
- Automatic activation and deactivation sequence through an independent sequencer
- Supports the asynchronous protocols T = 0 and T = 1 in accordance with ISO 7816 and EMV
- Versatile 24-bit time-out counter for Answer To Reset (ATR) and waiting times processing
- 22 Elementary Time Unit (ETU) counter for Block Guard Time (BGT)
- Supports synchronous cards
- Current limitations in the event of short-circuit
- Special circuitry for killing spikes during power-on/-off
- Supply supervisor for power-on/-off reset
- Step-up converter (supply voltage from 2.7 to 6 V), doubler, tripler or follower according to V<sub>CC</sub> and V<sub>DD</sub>
- Additional I/O pin allowing use of the ISO UART for another analog interface (pin I/OAUX)
- Additional interrupt pin allowing detection of level toggling on an external signal (pin INTAUX)

- Fast and efficient swapping between the 3 cards due to separate buffering of parameters for each card
- Chip select input allowing use of several devices in parallel and memory space paging
- Enhanced ESD protections on card side [6 kV (min.)]
- Software library for easy integration within the application
- Power-down mode for reducing current consumption when no activity.

### APPLICATIONS

- Multiple smart card readers for multiprotocol applications (EMV banking, digital pay TV, access control, etc.).

### GENERAL DESCRIPTION

The TDA8007B is a low cost card interface for dual smart card readers. Controlled through a parallel bus, it takes care of all ISO 7816, EMV and GSM11-11 requirements. It may be interfaced to the P0/P2 ports of a 80C51 family microcontroller, and be addressed as a memory through MOVX instructions. It may also be addressed on a non-multiplexed 8-bit data bus, by means of address registers AD0, AD1, AD2 and AD3. The integrated ISO UART and the time-out counters allow easy use even at high baud rates with no real time constraints. Due to its chip select and external I/O and INT features, it greatly simplifies the realization of any number of cards readers. It gives the cards and the reader a very high level of security, due to its special hardware against ESD, short-circuiting, power failure, etc. Its integrated step-up converter allows operation within a supply voltage range of 2.7 to 6 V.

A software library has been developed, taking care of all actions required for T = 0, T = 1 and synchronous protocols (see application reports).

### ORDERING INFORMATION

| TYPE NUMBER | PACKAGE |                                                                      |          |
|-------------|---------|----------------------------------------------------------------------|----------|
|             | NAME    | DESCRIPTION                                                          | VERSION  |
| TDA8007BHL  | LQFP48  | plastic low profile quad flat package; 48 leads; body 7 × 7 × 1.4 mm | SOT313-2 |

## Double multiprotocol IC card interface

## TDA8007B

## QUICK REFERENCE DATA

| SYMBOL              | PARAMETER                             | CONDITIONS                                                                                    | MIN. | TYP. | MAX. | UNIT         |
|---------------------|---------------------------------------|-----------------------------------------------------------------------------------------------|------|------|------|--------------|
| $V_{DD}$            | supply voltage                        |                                                                                               | 2.7  | –    | 6    | V            |
| $I_{DD(pd)}$        | supply current in power-down mode     | $V_{DD} = 3.3$ V; cards inactive; XTAL oscillator stopped                                     | –    | –    | 350  | $\mu$ A      |
|                     |                                       | $V_{DD} = 3.3$ V; cards active at $V_{CC} = 5$ V; CLK stopped; XTAL oscillator stopped        | –    | –    | 3    | mA           |
| $I_{DD(sm)}$        | supply current in sleep mode          | cards powered at 5 V but clock stopped                                                        | –    | –    | 5.5  | mA           |
| $I_{DD(om)}$        | supply current in operating mode      | $V_{DD} = 3.3$ V; $f_{XTAL} = 20$ MHz; $V_{CC1} = V_{CC2} = 5$ V; $I_{CC1} + I_{CC2} = 80$ mA | –    | –    | 315  | mA           |
| $V_{CC}$            | output card supply voltage            | including static loads (5 V card)                                                             | 4.75 | 5.0  | 5.25 | V            |
|                     |                                       | with 40 nC dynamic loads on 200 nF capacitor (5 V card)                                       | 4.6  | –    | 5.4  | V            |
|                     |                                       | including static loads (3 V card)                                                             | 2.78 | –    | 3.22 | V            |
|                     |                                       | with 24 nC dynamic loads on 200 nF capacitor (3 V card)                                       | 2.75 | –    | 3.25 | V            |
| $I_{CC}$            | output card supply current            | operating; 5 V card                                                                           | –    | –    | 65   | mA           |
|                     |                                       | operating; 3 V card                                                                           | –    | –    | 50   | mA           |
|                     |                                       | overload detection                                                                            | –    | 100  | –    | mA           |
| $I_{CC1} + I_{CC2}$ | sum of both cards currents            |                                                                                               | –    | –    | 80   | mA           |
| SR                  | slew rate on $V_{CC}$ (rise and fall) | $C_{L(max)} = 300$ nF                                                                         | 0.05 | 0.16 | 0.22 | V/ $\mu$ s   |
| $t_{deact}$         | deactivation cycle duration           |                                                                                               | –    | –    | 150  | $\mu$ s      |
| $t_{act}$           | activation cycle duration             |                                                                                               | –    | –    | 225  | $\mu$ s      |
| $f_{xtal}$          | crystal frequency                     |                                                                                               | 4    | –    | 27   | MHz          |
| $f_{op}$            | operating frequency                   | external frequency applied to pin XTAL1                                                       | 0    | –    | 25   | MHz          |
| $T_{amb}$           | ambient temperature                   |                                                                                               | –25  | –    | +85  | $^{\circ}$ C |

Double multiprotocol IC card interface

TDA8007B

BLOCK DIAGRAM

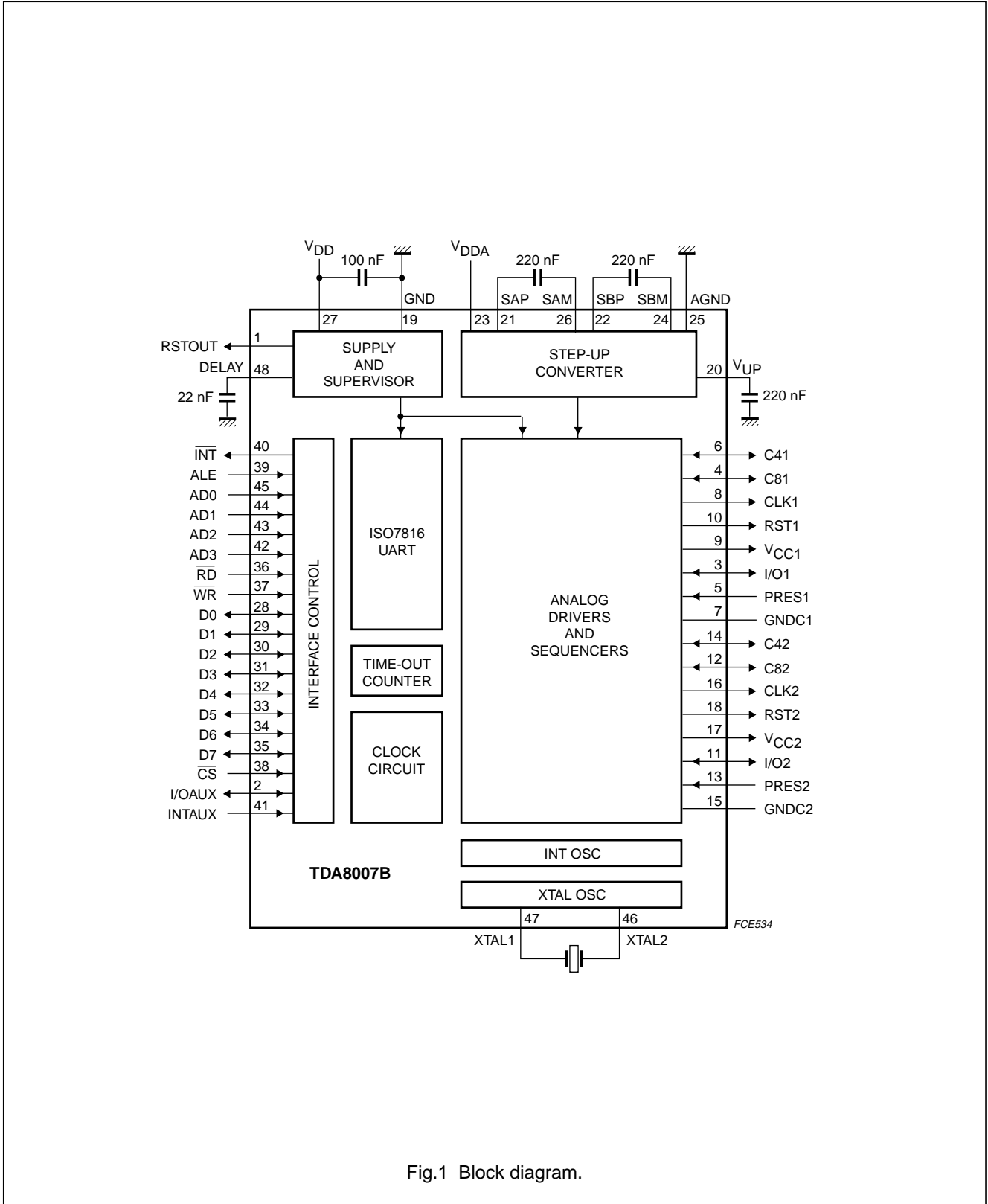


Fig.1 Block diagram.

## Double multiprotocol IC card interface

TDA8007B

## PINNING

| SYMBOL           | PIN | DESCRIPTION                                                                                       |
|------------------|-----|---------------------------------------------------------------------------------------------------|
| RSTOUT           | 1   | open-drain output for resetting external chips                                                    |
| I/OAUX           | 2   | input or output for an I/O line issued of an auxiliary smart card interface                       |
| I/O1             | 3   | data line to/from card 1 (ISO C7 contact)                                                         |
| C81              | 4   | auxiliary I/O for ISO C8 contact (synchronous cards for instance) for card 1                      |
| PRES1            | 5   | card 1 presence contact input (active HIGH or LOW by mask option)                                 |
| C41              | 6   | auxiliary I/O for ISO C4 contact (synchronous cards for instance) for card 1                      |
| GNDC1            | 7   | ground for card 1                                                                                 |
| CLK1             | 8   | clock output to card 1 (ISO C3 contact)                                                           |
| V <sub>CC1</sub> | 9   | card 1 supply output voltage (ISO C1 contact)                                                     |
| RST1             | 10  | card 1 reset output (ISO C2 contact)                                                              |
| I/O2             | 11  | data line to/from card 2 (ISO C7 contact)                                                         |
| C82              | 12  | auxiliary I/O for ISO C8 contact (synchronous cards for instance) for card 2                      |
| PRES2            | 13  | card 2 presence contact input (active HIGH or LOW by mask option)                                 |
| C42              | 14  | auxiliary I/O for ISO C4 contact (synchronous cards for instance) for card 2                      |
| GNDC2            | 15  | ground for card 2                                                                                 |
| CLK2             | 16  | clock output to card 2 (ISO C3 contact)                                                           |
| V <sub>CC2</sub> | 17  | card 2 supply output voltage (ISO C1 contact)                                                     |
| RST2             | 18  | card 2 reset output (ISO C2 contact)                                                              |
| GND              | 19  | ground connection                                                                                 |
| V <sub>UP</sub>  | 20  | output of the step-up converter                                                                   |
| SAP              | 21  | contact 1 for the step-up converter (connect a low ESR 220 nF capacitor between pins SAP and SAM) |
| SBP              | 22  | contact 3 for the step-up converter (connect a low ESR 220 nF capacitor between pins SBP and SBM) |
| V <sub>DDA</sub> | 23  | positive analog supply voltage for the step-up converter                                          |
| SBM              | 24  | contact 4 for the step-up converter (connect a low ESR 220 nF capacitor between pins SBP and SBM) |
| AGND             | 25  | ground connection for the step-up converter                                                       |
| SAM              | 26  | contact 2 for the step-up converter (connect a low ESR 220 nF capacitor between pins SAP and SAM) |
| V <sub>DD</sub>  | 27  | positive supply voltage                                                                           |
| D0               | 28  | data 0 or add 0                                                                                   |
| D1               | 29  | data 1 or add 1                                                                                   |
| D2               | 30  | data 2 or add 2                                                                                   |
| D3               | 31  | data 3 or add 3                                                                                   |
| D4               | 32  | data 4 or add 4                                                                                   |
| D5               | 33  | data 5 or add 5                                                                                   |
| D6               | 34  | data 6 or add 6                                                                                   |
| D7               | 35  | data 7 or add 7                                                                                   |
| $\overline{RD}$  | 36  | read selection signal (read or write in non-multiplexed configuration)                            |

Double multiprotocol IC card interface

TDA8007B

| SYMBOL | PIN | DESCRIPTION                                                                                                             |
|--------|-----|-------------------------------------------------------------------------------------------------------------------------|
| WR     | 37  | write selection signal (enable in case of non-multiplexed configuration)                                                |
| CS     | 38  | chip select input (active HIGH or LOW)                                                                                  |
| ALE    | 39  | address latch enable in case of multiplexed configuration (connect to V <sub>DD</sub> in non-multiplexed configuration) |
| INT    | 40  | interrupt output (active LOW)                                                                                           |
| INTAUX | 41  | auxiliary interrupt input                                                                                               |
| AD3    | 42  | register selection address 3                                                                                            |
| AD2    | 43  | register selection address 2                                                                                            |
| AD1    | 44  | register selection address 1                                                                                            |
| AD0    | 45  | register selection address 0                                                                                            |
| XTAL2  | 46  | connection pin for an external crystal                                                                                  |
| XTAL1  | 47  | connection pin for an external crystal or input for an external clock signal                                            |
| DELAY  | 48  | connection pin for an external delay capacitor                                                                          |

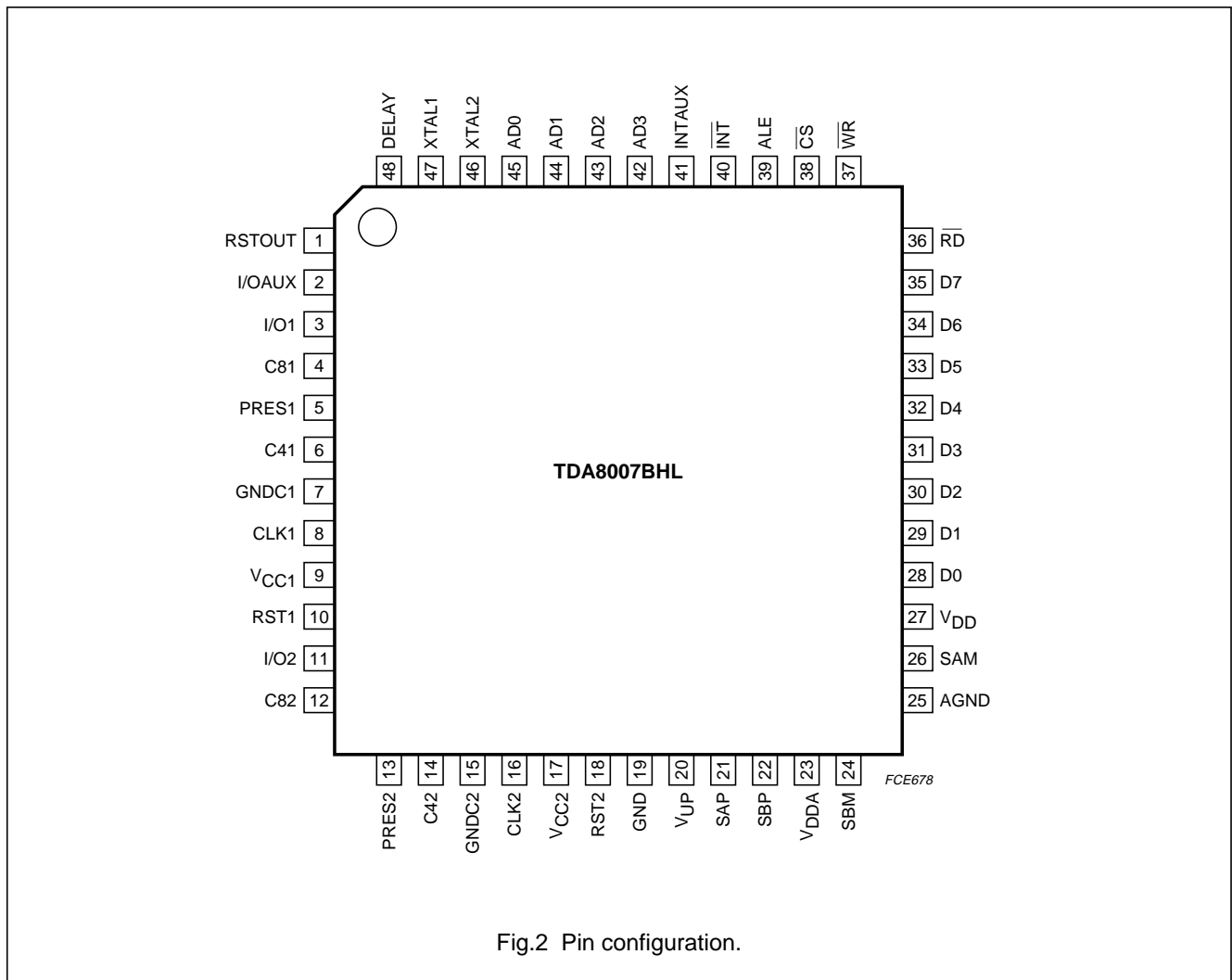


Fig.2 Pin configuration.

# Double multiprotocol IC card interface

# TDA8007B

## FUNCTIONAL DESCRIPTION

Throughout this specification, it is assumed that the reader is aware of ISO 7816 norm terminology.

### Interface control

The TDA8007B can be controlled via an 8-bit parallel bus (bits D0 to D7).

If a microcontroller with a multiplexed address/data bus (such as the 80C51) is used, then D0 to D7 may be directly connected to P0 to P7. When  $\overline{CS}$  is LOW, the demultiplexing of address and data is performed internally using the ALE signal, a LOW pulse on pin  $\overline{RD}$  allows the selected register to be read, a LOW pulse on pin  $\overline{WR}$  allows the selected register to be written to. The TDA8007B automatically switches to the multiplexed bus configuration if a rising edge is detected on pin ALE. In this event, AD0 to AD3 play no role and may be tied to  $V_{DD}$  or GND. Using a 80C51 microcontroller, the TDA8007B is simply controlled with MOVX instructions.

If ALE is tied to  $V_{DD}$  or GND, then the TDA8007B will be in the non-multiplexed configuration. In this case, the address bits are external pins AD0 to AD3,  $\overline{RD}$  is the read/write control signal, and  $\overline{WR}$  is a data write or read active LOW enable signal.

In both configurations, the TDA8007B is selected only when  $\overline{CS}$  is LOW.  $\overline{INT}$  is an active LOW interrupt signal.

In non-multiplexed bus configuration,  $\overline{CS}$  and  $\overline{EN}$  play the same role.

In read operations ( $\overline{RD}/\overline{WR}$  is HIGH), the data corresponding to the chosen address is available on the bus when both  $\overline{CS}$  and  $\overline{EN}$  are LOW.

In write operations, the data present on the bus is written when signals  $\overline{RD}/\overline{WR}$ ,  $\overline{CS}$  and  $\overline{EN}$  become LOW.

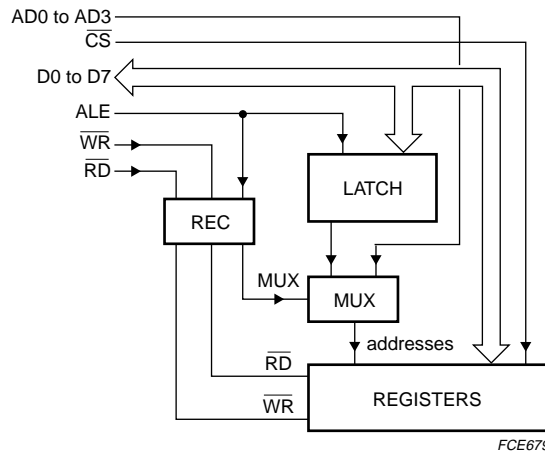
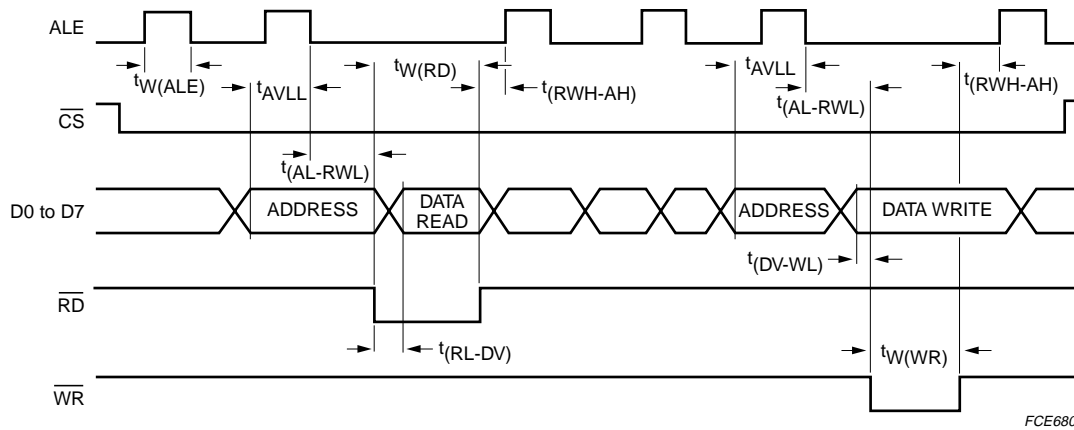


Fig.3 Multiplexed bus recognition.

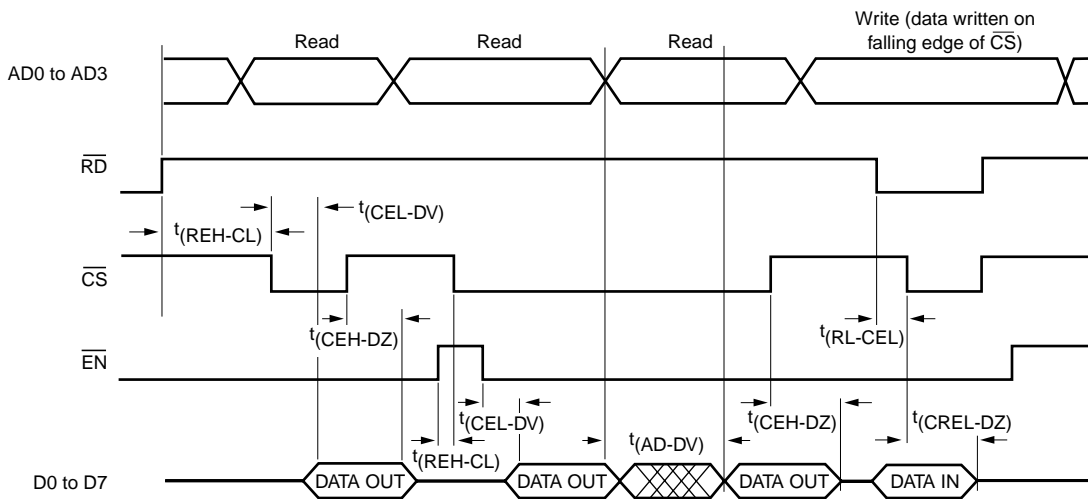
Double multiprotocol IC card interface

TDA8007B



FCE680

Fig.4 Control with multiplexed bus.



FCE681

Fig.5 Control with non-multiplexed bus.



---

## Double multiprotocol IC card interface

## TDA8007B

---

### Control registers

The TDA8007B has 2 complete analog interfaces which can drive card 1 and card 2. The data to and from these 2 cards share the same ISO UART. The data to and from a third card (card 3), externally interfaced (with a TDA8002 or TDA8003 for example), may also share the same ISO UART.

Cards 1, 2 and 3 have dedicated registers for setting the parameters of the ISO UART; Programmable Divider Register (PDR), Guard Time Register (GTR), UART Configuration Register 1 (UCR1), UART Configuration Register 2 (UCR2) and Clock Configuration Register (CCR).

Cards 1 and 2 also have dedicated registers for controlling their power and clock configuration. The Power Control Register (PCR) for card 3, is controlled externally. The PCR is also used for writing or reading on the auxiliary card contacts C4 and C8.

Card 1, 2 or 3 can be selected via the Card Select Register (CSR). When one card is selected, the corresponding parameters are used by the ISO UART. The CSR also contains one bit for resetting the ISO UART (active LOW). This bit is reset after Power-on, and must be set to HIGH before starting with any one of the cards. It may be reset by software when necessary.

When the specific parameters of the cards have been programmed, the UART may be used with the following registers: UART Receive Register (URR), UART Transmit Register (UTR), UART Status Register (USR) and Mixed Status Register (MSR). In reception mode, a FIFO of 1 to 8 characters may be used, and is configured with the FIFO Control Register (FCR).

The Hardware Status Register (HSR) gives the status of the supply voltage, of the hardware protections and of the card movements.

HSR and USR give interrupts on pin  $\overline{\text{INT}}$  when some of their bits have been changed.

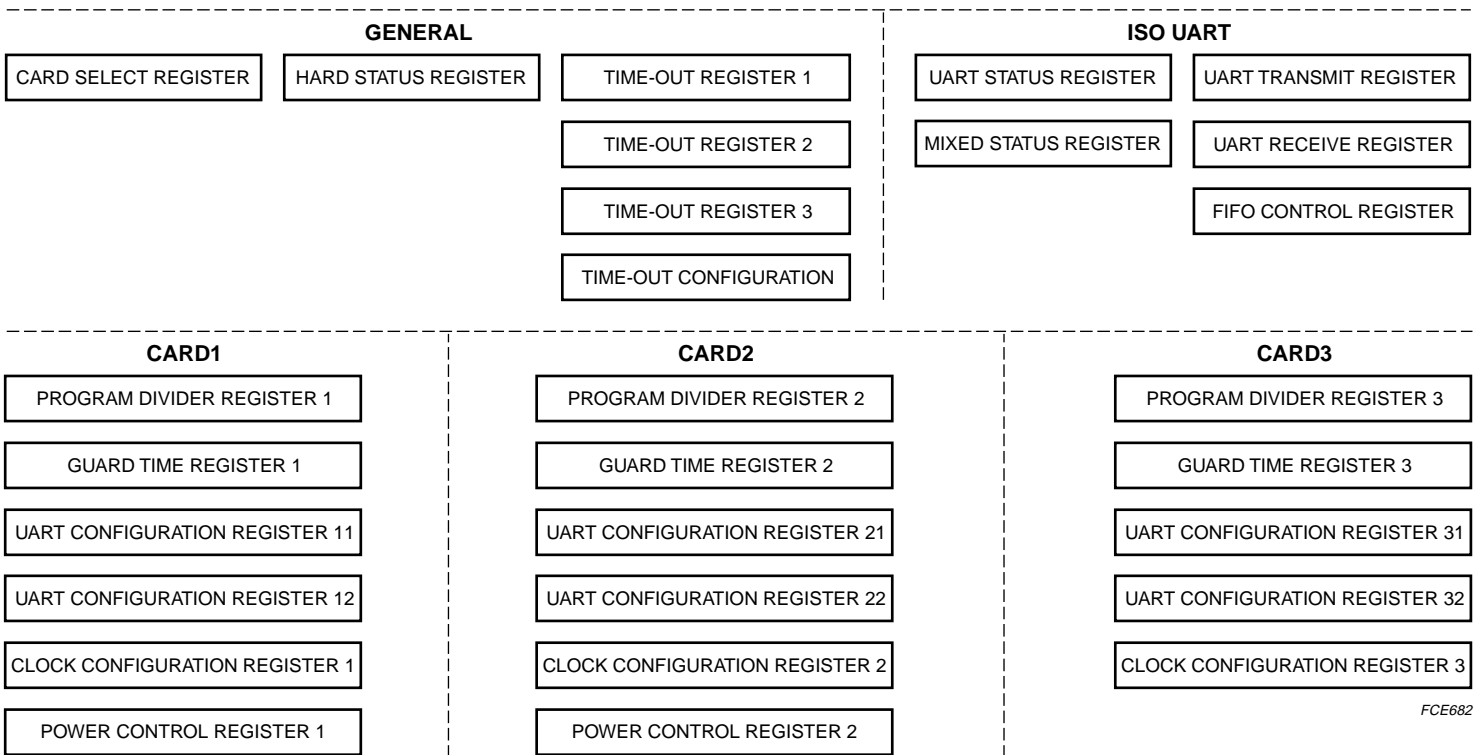
The MSR does not give interrupts and may be used in the polling mode for some operations; for this use, some of the interrupt sources within the USR and HSR may be masked.

A 24-bit time-out counter may be started to give an interrupt after a number of ETUs programmed into registers TOR1, TOR2 and TOR3. This will help the microcontroller in processing different real-time tasks (ATR, WWT, BWT, etc.) mainly if the microcontrollers and cards clock are asynchronous.

This counter is configured with a register Time-Out counter Configuration (TOC). It may be used as a 24-bit or as a 16 + 8 bits. Each counter can be set to start counting once data has been written, or on detection of a start bit on the I/O, or as auto-reload.

Double multiprotocol IC card interface

TDA8007B



FCE682

Fig.6 Registers summary.

## Double multiprotocol IC card interface

## TDA8007B

## GENERAL REGISTERS

The Card Select Register (see Table 1) is used for selecting the card on which the UART will act, and also to reset the ISO UART.

If SC1 = 1, then card 1 is selected; if SC2 = 1, then card 2 is selected, if SC3 = 1, then card 3 is selected. These bits must be set one at a time. After reset, card 1 is selected by default. The bit Reset ISO UART ( $\overline{RIU}$ ) must be set to logic 1 by software before any action on the UART can take place. When reset, this bit resets all UART registers to their initial value.

It should be noted that access to card 3 is only possible once either card 1 or 2 has been activated.

The Hardware Status Register (see Table 2) gives the status of the chip after a hardware problem has been detected.

Presence Latch 1 (PRL1) and Presence Latch 2 (PRL2) are HIGH when a change has occurred on PR1 and PR2.

Supervisor Latch (SUPL) is HIGH when the supervisor has been activated.

Protection 1 (PRTL1) and Protection 2 (PRTL2) are HIGH when a default has been detected on card readers 1 and 2. (PRTL is the OR function of protection on  $V_{CC}$  and RST).

PTL is set if overheating has occurred.

INTAUXL is HIGH if the level on the INTAUX input has been changed.

When PRTL2, PRTL1, PRL2 or PRL1 or PTL is HIGH, then  $\overline{INT}$  is LOW. The bits having caused the interrupt are cleared when the HSR has been read-out. The same occurs with bit INTAUXL if not disabled.

At power-on, or after a supply voltage dropout, SUPL is set and  $\overline{INT}$  is LOW.  $\overline{INT}$  will return HIGH at the end of the alarm pulse on pin RSTOUT. SUPL will be reset only after a status register read-out outside the ALARM pulse (see Fig.7).

In case of emergency deactivation (by PRTL1, PRTL2, SUPL, PRL2, PRL1 or PTL), the START bit is automatically reset by hardware.

The three registers TOR1, TOR2 and TOR3 form a programmable 24-bit ETU counter, or two independent counters (one 16-bit and one 8-bit).

The value to load in TOR1, 2 and 3 is the number of ETUs to count.

The TOC register is used for setting different configurations of the time-out counter as given in Table 7 (all other configurations are undefined).

**Table 1** Card select register (write and read); address: 0  
(all significant bits are cleared after reset, except for SC1 which is set)

| CS7      | CS6      | CS5      | CS4      | CS3              | CS2 | CS1 | CS0 |
|----------|----------|----------|----------|------------------|-----|-----|-----|
| not used | not used | not used | not used | $\overline{RIU}$ | SC3 | SC2 | SC1 |

**Table 2** Hardware status register (read only); address: F  
(all significant bits are cleared after reset, except for SUPL which is set within the RSTOUT pulse)

| HS7      | HS6   | HS5   | HS4  | HS3  | HS2  | HS1     | HS0 |
|----------|-------|-------|------|------|------|---------|-----|
| not used | PRTL2 | PRTL1 | SUPL | PRL2 | PRL1 | INTAUXL | PTL |

**Table 3** Time-out register 1 (write only); address: 9 (all bits are cleared after reset)

| TO17 | TO16 | TO15 | TO14 | TO13 | TO12 | TO11 | TO10 |
|------|------|------|------|------|------|------|------|
| TOL7 | TOL6 | TOL5 | TOL4 | TOL3 | TOL2 | TOL1 | TOL0 |

**Table 4** Time-out register 2 (write only); address: A (all bits are cleared after reset)

| TO27  | TO26  | TO25  | TO24  | TO23  | TO22  | TO21 | TO20 |
|-------|-------|-------|-------|-------|-------|------|------|
| TOL15 | TOL14 | TOL13 | TOL12 | TOL11 | TOL10 | TOL9 | TOL8 |

## Double multiprotocol IC card interface

## TDA8007B

**Table 5** Time-out register 3 (write only); address: B (all bits are cleared after reset)

| TO37  | TO36  | TO35  | TO34  | TO33  | TO32  | TO31  | TO30  |
|-------|-------|-------|-------|-------|-------|-------|-------|
| TOL23 | TOL22 | TOL21 | TOL20 | TOL19 | TOL18 | TOL17 | TOL16 |

**Table 6** Time-out configuration register (read and write); address: 8 (all bits are cleared after reset)

| TOC7 | TOC6 | TOC5 | TOC4 | TOC3 | TOC2 | TOC1 | TOC0 |
|------|------|------|------|------|------|------|------|
| TOC7 | TOC6 | TOC5 | TOC4 | TOC3 | TOC2 | TOC1 | TOC0 |

**Table 7** Time-out counter configurations

| TOC | OPERATING MODE                                                                                                                                                                                                                                                                                                                                                                                                                                                                                                                                                                                                                                                                                                                                                                                                                            |
|-----|-------------------------------------------------------------------------------------------------------------------------------------------------------------------------------------------------------------------------------------------------------------------------------------------------------------------------------------------------------------------------------------------------------------------------------------------------------------------------------------------------------------------------------------------------------------------------------------------------------------------------------------------------------------------------------------------------------------------------------------------------------------------------------------------------------------------------------------------|
| 00  | all counters are stopped                                                                                                                                                                                                                                                                                                                                                                                                                                                                                                                                                                                                                                                                                                                                                                                                                  |
| 61  | Counter 1 is stopped, and counters 3 and 2 form a 16-bit counter. Counting the value stored in TOR3 and TOR2 is started after 61 is written in the TOC. An interrupt is given, and bit TO3 is set within the USR when the terminal count is reached. The counter is stopped by writing 00 in the TOC.                                                                                                                                                                                                                                                                                                                                                                                                                                                                                                                                     |
| 65  | Counter 1 is an 8-bit auto reload counter, and counters 3 and 2 form a 16-bit counter. Counter 1 starts counting the content of TOR1 on the first start bit (reception or transmission) detected on I/O after 65 is written in the TOC. When counter 1 reaches its terminal count, an interrupt is given, bit TO1 in the USR is set, and the counter automatically restarts the same count until it is stopped. It is not allowed to change the content of TOR1 during a count. In this mode, the accuracy of counter 1 is $\pm 0.5$ ETU. Counters 3 and 2 are wired as a single 16-bit counter and starts counting the value TOR3 and TOR2 when 65 is written in the TOC. When the counter reaches its terminal count, an interrupt is given and bit TO3 is set within the USR. Both counters are stopped when 00 is written in the TOC. |
| 68  | Counters 3, 2 and 1 are wired as a single 24-bit counter. Counting the value stored in TOR3, TOR2 and TOR1 is started after 68 is written in the TOC. The counter is stopped by writing 00 in the TOC. It is not allowed to change the content of TOR3, TOR2 and TOR1 within a count.                                                                                                                                                                                                                                                                                                                                                                                                                                                                                                                                                     |
| 7C  | Counters 3, 2 and 1 are wired as a single 24-bit counter. Counting the value stored in TOR3, TOR2 and TOR1 on the first start bit detected on I/O (reception or transmission) after the value has been written. It is possible to change the content of TOR3, TOR2 and TOR1 during a count; the current count will not be affected and the new count value will be taken into account at the next start bit. The counter is stopped by writing 00 in the TOC. In this configuration TOR3, TOR2 and TOR1 must not be all zero.                                                                                                                                                                                                                                                                                                             |
| E5  | Same configuration as TOC = 65, except that counter 1 will be stopped at the end of the 12th ETU following the first start bit detected after E5 has been written in the TOC.                                                                                                                                                                                                                                                                                                                                                                                                                                                                                                                                                                                                                                                             |

## Double multiprotocol IC card interface

TDA8007B

The time-out counter is very useful for processing the clock counting during ATR, the Work Waiting Time, or the waiting times defined in T = 1 protocol. It should be noted that the 200 and 400 CLK counter used during ATR is done by hardware when the start session is set; a specific hardware controls functionality BGT in T = 1 protocol, and a specific register is available for processing the extra guard time.

The possible use of the counters is as follows:

- ATR (cold reset):
  - Before activation; TOR1 = C0H, TOR2 = 6EH, TOR3 = 0 and TOC = 65. Once activated, timer 2 + 3 will count 40920 clock pulses before giving an interrupt.
  - On interrupt; TOR2 = 76H and TOC = 65. If a character is received from the card before the timeout, then counter 1 will be enabled. Counter 1 will give one interrupt every 192 ETUs, so the software will count 100 times to verify that the ATR is finished before 19200 ETUs. The UART will give an interrupt with bit Buffer Full (BF) at 10.5 ETUs after the start bit.
  - On interrupt; TOR3 = 25H, TOR2 = 80H and TOC = 65. Counter 1 keeps on counting  $100 \times 192$  ETUs, while counter 2 and 3 counts 9600 ETUs. This sequence is repeated until the character before the last one of the ATR.
  - On interrupt TOR3 = 25H, TOR2 = 80H and TOC = E5. Timer 1 will be automatically stopped at the end of the last character of the ATR, allowing a count of 19200 ETUs.
  - On interrupt TOC = 00.
- Work Waiting Time (WWT) in T = 0 protocol:
  - Before sending the first command to the card TOR1, TOR2 and TOR3 should be loaded with the correct  $960 \times WI \times D$  value and TOC = 7C
  - Timer 3, 2 and 1 will count the WWT between each start bit
- Character Waiting Time (CWT) and Block Waiting Time (BWT) in T = 1 protocol:
  - Before sending the first block to the card, TOR3, TOR2 and TOR1 should be loaded with the CWT and TOC = 7C
  - Timer 3 + 2 + 1 will count the CWT between each start bit
  - Before the end of the block, TOR3, TOR2 and TOR1 should be loaded with the BWT

- Timer 3 + 2 + 1 will count the BWT from the last start bit of the sent block
- After reception of the first character of the block from the card, TOR3, TOR2 and TOR1 should be loaded with the CWT
- Timer 3 + 2 + 1 will count the CWT between each received start bit
- And so on.
- Before and after CLOCK STOP (example, where ETU = 372 clock pulses):
  - After the last received character on I/O, TOR3 = 0, TOR2 = 6 and TOC = 61
  - Timer 3 + 2 will start counting 2232 clock pulses before giving an interrupt
  - On interrupt, the software may stop the clock to the card
  - When it is necessary to restart the clock, TOR3 = 0, TOR2 = 2, TOC = 61 and restart the clock
  - Timer 3 + 2 gives an interrupt at 744 clock pulses, and then the software can send the first command to the card.

### ISO UART REGISTERS

When the microcontroller wants to transmit a character to the selected card, it writes the data in direct convention in the UART Transmit Register (see Table 8). The transmission:

- Starts at the end of writing (on the rising edge of  $\overline{WR}$ ) if the previous character has been transmitted and if the extra guard time has expired; or
- Starts at the end of the extra guard time if this one has not expired; or
- Does not start if the transmission of the previous character is not completed.

In the case of a synchronous card (bit SAN within UCR2 is set), only D0 is relevant, and is copied on the I/O of the selected card. When the microcontroller wants to read data from the card it reads it from the UART Receive Register (see Table 9) in direct convention.

In case of a synchronous card, only D0 is relevant and is a copy of the state of the selected card I/O.

When needed, this register may be tied to a FIFO whose length 'n' is programmable between 1 and 8.

If  $n > 1$ , then no interrupt is given until the FIFO is full. The microcontroller may empty the FIFO at any time.

## Double multiprotocol IC card interface

TDA8007B

Error management in protocol:

- T = 0:

In the event of a parity error, the received byte is not stored in the FIFO, and the error counter is incremented. The error counter is programmable between 1 and 8. When the programmed number is reached, bit PE is set in the status register USR and  $\overline{\text{INT}}$  goes LOW. The error counter must be reprogrammed to the desired value after its count has been reached.

- T = 1:

In the event of a parity error, the character is loaded in the FIFO, and bit PE is set whatever the programmed value in parity error counter.

When the FIFO is full, bit RBF in the status register USR is set. This bit is reset when at least one character has been read from the URR.

When the FIFO is empty, bit FE is set as long as no character has been received.

The Mixed Status Register (see Table 10) relates the status of pin INTAUX, the cards presence contacts PR1 and PR2, the BGT counter, the FIFO empty indication and the transmit/receive ready indicator TBE/RBF.

Bit INTAUX is set when the level on pin INTAUX is HIGH, it is reset when the level is LOW.

Bit BGT is linked with a 22 ETU counter, which is started at every start bit on the I/O. Bit BGT is set if the count is finished before the next start bit. This helps to verify that the card has not answered before 22 ETUs after the last transmitted character, or not transmitting a character before 22 ETUs after the last received character.

PR1 is HIGH when card 1 is present, PR2 is HIGH when card 2 is present.

FE is set when the reception FIFO is empty. It is reset when at least one character has been loaded in the FIFO.

Bit TBE/RBF (Transmit Buffer Empty/Receive Buffer Full) is set when:

- Changing from reception mode to transmission mode
- A character has been transmitted by the UART
- The reception FIFO is full.

Bit TBE/RBF is reset after Power-on or after one of the following:

- When bit  $\overline{\text{RIU}}$  is reset
- When a character has been written to the UTR
- When at least one character has been read in the FIFO

- When changing from transmission mode to reception mode.

No bits within the MSR act upon  $\overline{\text{INT}}$ :

- The FIFO Control Register bits are given in Table 11, FL2, FL1 and FL0 determine the depth of the FIFO (000 = length 1, 111 = length 8).

PEC2, PEC1 and PEC0 determine the number of parity errors before setting bit PE in the USR and pulling  $\overline{\text{INT}}$  LOW; 000 indicates that if only one parity error has occurred, bit PE is set; 111 indicates that bit PE will be set after 8 parity errors.

PEC2, PEC1 and PEC0 need to be reprogrammed to the desired value after bit PE has been set.

In protocol T = 0:

- If a correct character is received before the programmed error number is reached the error counter will be reset.
- If the programmed number of allowed parity errors is reached, bit PE in the USR will be set as long as the USR has not been read.

In protocol T = 1:

- The error counter has no action (bit PE is set at the first wrong received character).
- The UART Status Register (see Table 12) is used by the microcontroller to monitor the activity of the ISO UART and that of the time-out counter.

Transmission Buffer Empty (TBE) is HIGH when the UART is in transmission mode, and when the microcontroller may write the next character to transmit in the UTR. It is reset when the microcontroller has written data in the transmit register or when bit T/R within UCR1 has been reset either automatically or by software.

After detection of a parity error in transmission, it is necessary to wait 13 ETUs before rewriting the character which has been Not ACKnowledged (NAK) by the card.

Reception Buffer Full (RBF) is HIGH when the FIFO is full. The microcontroller may read some of the characters in the URR, which clears bit RBF.

TBE and RBF share the same bit within the USR (when in transmission mode, the relevant bit is TBE; when in reception mode, it is RBF).

Framing Error (FER) is HIGH when the I/O was not in the high-impedance state at 10.25 ETUs after a start bit. It is reset when the USR has been read-out.

## Double multiprotocol IC card interface

## TDA8007B

Overrun (OVR) is HIGH if the UART has received a new character whilst the FIFO was full. In this case, at least one character has been lost.

In protocol T = 0: Parity Error (PE) is HIGH if the UART has detected a number of received characters with parity errors equal to the number written in PEC2, PEC1 and PEC0 or if a transmitted character has been NAKed by the card.

In protocol T = 0: a character received with a parity error is not stored in the FIFO (the card is supposed to repeat this character).

In protocol T = 1: a character with a parity error is stored in the FIFO and the parity error counter is not active.

Early Answer (EA) is HIGH if the first start bit on the I/O during ATR has been detected between 200 and 384 CLK

pulses (all activities on the I/O during the 200 first CLK pulses with RST LOW or HIGH are not taken into account). These 2 features are reinitialized at each toggling of RST.

Bit TO1 is set when counter 1 has reached its terminal count.

Bit TO3 is set when counter 3 has reached its terminal count.

If any of the status bits FER, OVR, PE, EA, TO1 or TO3 are set then  $\overline{\text{INT}}$  will go LOW. The bit having caused the interrupt is reset at the end of a read operation of the USR. If TBE/RBF is set, and if the mask bit DISTBE/RBF within USR2 is not set, then  $\overline{\text{INT}}$  will also be LOW. TBE/RBF is reset when data has been written to the UTR, when data has been read from the URR, or when changing from transmission mode to reception mode.

**Table 8** UART transmit register (write only); address: D (all bits are cleared after reset)

| UT7 | UT6 | UT5 | UT4 | UT3 | UT2 | UT1 | UT0 |
|-----|-----|-----|-----|-----|-----|-----|-----|
| UT7 | UT6 | UT5 | UT4 | UT3 | UT2 | UT1 | UT0 |

**Table 9** UART receive register (read only); address: D (all bits are cleared after reset)

| UR7 | UR6 | UR5 | UR4 | UR3 | UR2 | UR1 | UR0 |
|-----|-----|-----|-----|-----|-----|-----|-----|
| UR7 | UR6 | UR5 | UR4 | UR3 | UR2 | UR1 | UR0 |

**Table 10** Mixed status register (read only); address: C  
(bits TBE, RBF and BGT are cleared after reset; bit FE is set after reset)

| MS7      | MS6 | MS5 | MS4      | MS3 | MS2 | MS1    | MS0     |
|----------|-----|-----|----------|-----|-----|--------|---------|
| not used | FE  | BGT | not used | PR2 | PR1 | INTAUX | TBE/RBF |

**Table 11** FIFO control register (write only); address: C (all relevant bits are cleared after reset)

| FC7      | FC6  | FC5  | FC4  | FC3      | FC2 | FC1 | FC0 |
|----------|------|------|------|----------|-----|-----|-----|
| not used | PEC2 | PEC1 | PEC0 | not used | FL2 | FL1 | FL0 |

**Table 12** UART status register (read only); address: E (all bits are cleared after reset)

| US7 | US6      | US5 | US4 | US3 | US2 | US1 | US0     |
|-----|----------|-----|-----|-----|-----|-----|---------|
| TO3 | not used | TO1 | EA  | PE  | OVR | FER | TBE/RBF |

## Double multiprotocol IC card interface

TDA8007B

## CARD REGISTERS

When cards 1 2 or 3 are selected, then the following registers may be used for programming some specific parameters.

The Programmable Divider Register (see Table 13) is used for counting the cards clock cycles forming the ETU. It is an auto-reload 8-bit counter decoupling from the programmed value down to 0.

**Table 13** Programmable Divider Register (PDR1, 2 and 3) (read and write); address: 2 (all bits are cleared after reset)

| PD7 | PD6 | PD5 | PD4 | PD3 | PD2 | PD1 | PD0 |
|-----|-----|-----|-----|-----|-----|-----|-----|
| PD7 | PD6 | PD5 | PD4 | PD3 | PD2 | PD1 | PD0 |

The UART Configuration Register 2 bits are given in Table 14. If bit PSC is set to logic 1, then the prescaler value is 32. If bit PSC is set to logic 0, then the prescaler value is 31. One ETU will last a number of card clock cycles equal to prescaler x PDR. All baud rates specified in ISO 7816 norm are achievable with this configuration.

**Table 14** UART configuration register 2 (UCR21, 22 and 23) (read and write); address: 3  
(all relevant bits are cleared after reset)

| UC27     | UC26       | UC25   | UC24 | UC23 | UC22     | UC21 | UC20 |
|----------|------------|--------|------|------|----------|------|------|
| not used | DISTBE/RBF | DISAUX | PDWN | SAN  | AUTOCONV | CKU  | PSC  |

**Table 15** Baud rates with a 3.58 MHz card clock frequency (31;12 means prescaler set to 31 and PDR set to 12)

| D | F              |                |               |               |               |               |               |       |       |       |       |       |
|---|----------------|----------------|---------------|---------------|---------------|---------------|---------------|-------|-------|-------|-------|-------|
|   | 0              | 1              | 2             | 3             | 4             | 5             | 6             | 9     | 10    | 11    | 12    | 13    |
| 1 | 31;12<br>9600  | 31;12<br>9600  | 31;18<br>6400 | 31;24<br>4800 | 31;36<br>3200 | 31;48<br>2400 | 31;60<br>1920 | 32;16 | 32;24 | 32;32 | 32;48 | 32;64 |
| 2 | 31;6<br>19200  | 31;6<br>19200  | 31;9<br>12800 | 31;12<br>9600 | 31;18<br>6400 | 31;24<br>4800 | 31;30<br>3840 | 32;8  | 32;12 | 32;16 | 32;24 | 32;32 |
| 3 | 31;3<br>38400  | 31;3<br>38400  |               | 31;6<br>19200 | 31;9<br>12800 | 31;12<br>9600 | 31;15<br>7680 | 32;4  | 32;6  | 32;8  | 32;12 | 32;16 |
| 4 |                |                |               | 31;3<br>38400 |               | 31;6<br>19200 |               | 32;2  | 32;3  | 32;4  | 32;6  | 32;8  |
| 5 |                |                |               |               |               | 31;3<br>38400 |               | 32;1  |       | 32;2  | 32;3  | 32;4  |
| 6 |                |                |               |               |               |               |               |       |       | 32;1  |       | 32;2  |
| 8 | 31;1<br>115200 | 31;1<br>115200 |               | 31;2<br>57600 | 31;3<br>38400 | 31;4<br>28800 | 31;5<br>23040 |       | 32;2  |       | 32;4  |       |
| 9 |                |                |               |               |               |               | 31;3<br>38400 |       |       |       |       |       |



## Double multiprotocol IC card interface

## TDA8007B

For other baud rates than those given in Table 15, there is the possibility to set bit CKU (clock UART) to logic 1. In this case, the ETU will last half of the formula given above.

If bit  $\overline{\text{AUTOCONV}}$  is set, then the convention is set by software using bit CONV in the UART Configuration Register. If it is reset, then the configuration is automatically detected on the first received character whilst the Start Session (SS) bit is set.

Synchronous/Asynchronous (SAN) is set by software if a synchronous card is expected. The UART is then bypassed, and only bit 0 in the URR and UTR is connected to the I/O. In this case the CLK is controlled by bit SC in the CCR.

When Power-down mode (PDWN) is set by software, the crystal oscillator is stopped. This mode allows low consumption in applications where it is required. During this mode, it is not possible to select another card other than the currently selected one. There are 5 ways of escaping from the Power-down mode:

1. Insert card 1 or card 2
2. Withdraw card 1 or card 2
3. Select the TDA8007B by resetting  $\overline{\text{CS}}$  (this assumes that the TDA8007B had been deselected after setting Power-down mode)
4. INTAUXL has been set due to a change on pin INTAUX
5. If  $\overline{\text{CS}}$  is permanently set to LOW, reset bit PDWN by software.

After any of these 5 events, the TDA8007B will leave the Power-down mode, and will pull  $\overline{\text{INT}}$  LOW when it is ready to communicate with the system microcontroller. The system microcontroller may then read the status registers, and  $\overline{\text{INT}}$  will return HIGH (if the system microcontroller has woken the TDA8007B by reselecting it, then no bits will be set in the status registers).

If the Disable AUX (DISAUX) interrupt bit in UCR2 is set, then a change on INTAUX will not generate an interrupt (but bit INTAUXL in the HSR will be set; it is therefore necessary to read the HSR before a DISAUX reset to avoid an interrupt by INTAUXL). To avoid an interrupt during a change of card, it is better to set the DISAUX bit in UCR2 for both cards.

If the Disable TBE/RBF (DISTBE/RBF) interrupt bit is set, then reception or transmission of a character will not generate an interrupt:

- This feature is useful for increasing communication speed with the card; in this case, a copy of the TBE/RBF bit within the MSR must be polled (and not the original) in order not to lose priority interrupts which can occur in the USR.
- The Guard Time Register (see Table 17) is used for storing the number of guard ETUs given by the card during ATR. In transmission mode, the UART will wait this number of ETUs before transmitting the character stored in the UTR. In T = 1 protocol, when GTR = FF means operation at 11 ETUs. In protocol T = 0, GTR = FF means operation at 12 ETUs.
- The UART Configuration Register (see Table 18) is used for setting the parameters of the ISO UART.

The Convention (CONV) bit is set if the convention is direct. CONV is either automatically written by hardware according to the convention detected during ATR, or by software if the bit  $\overline{\text{AUTOCONV}}$  is set.

The SS bit is set before ATR for automatic convention detection and early answer detection (this bit must be reset by software after reception of a correct initial character).

The Last Character to Transmit (LCT) bit is set by software before writing the last character to be transmitted in the UTR. It allows automatic change to reception mode. It is reset by hardware at the end of a successful transmission.

The Transmit/Receive (T/R) bit is set by software for transmission mode. A change from logic 0 to logic 1 will set bit TBE in the USR. Bit T/R is automatically reset by hardware if the LCT bit has been used before transmitting the last character.

The Protocol (PROT) bit is set if the protocol type is asynchronous T = 1. If PROT = 0, the protocol is T = 0.

The Flow Control (FC) bit is set if flow control is used (not described in this specification).

If the Force Inverse Parity (FIP) bit is set to HIGH the UART will NAK a correctly received character, and will transmit characters with wrong parity bits.

# Double multiprotocol IC card interface

# TDA8007B

Clock Configuration Register (see Table 19):

- For cards 1 and 2, the CCR defines the clock for the selected card.
- For cards 1, 2 and 3 it defines the clock to the ISO UART. It should be noted that if bit CKU in the prescaler register of the selected card is set, then the ISO UART is clocked at twice the frequency of the card, which allows baud rates not foreseen in ISO 7816 norm to be reached.

In case of an asynchronous card, the Clock Stop (CST) bit defines whether the clock to the card is stopped or not.

If CST is set, then CLK is stopped LOW if SHL = 0, and HIGH if SHL = 1.

If CST is reset, then CLK is determined by bits AC0, AC1 and AC2; see Table 16. All frequency changes are synchronous, thus ensuring that no spike or unwanted pulse widths occur during changes.

**Table 16** CLK value for an asynchronous card

| AC2 | AC1 | AC0 | CLK                  |
|-----|-----|-----|----------------------|
| 0   | 0   | 0   | $\frac{1}{2}XTAL$    |
| 0   | 0   | 1   | $\frac{1}{2}XTAL$    |
| 0   | 1   | 0   | $\frac{1}{4}XTAL$    |
| 0   | 1   | 1   | $\frac{1}{8}XTAL$    |
| 1   | 0   | 0   | $\frac{1}{2}f_{int}$ |
| 1   | 0   | 1   | $\frac{1}{2}f_{int}$ |
| 1   | 1   | 0   | $\frac{1}{2}f_{int}$ |
| 1   | 1   | 1   | $\frac{1}{2}f_{int}$ |

When switching from XTAL/n to  $\frac{1}{2}f_{int}$  or vice versa, only bit AC2 must be changed (AC1 and AC0 must remain the same). When switching from XTAL/n or  $\frac{1}{2}f_{int}$  to CLK STOP or vice versa, only bits CST and SHL must be changed.

When switching from XTAL/n to  $\frac{1}{2}f_{int}$  or vice versa, a maximum delay of 200  $\mu s$  can occur between the command and the effective frequency change on CLK (the fastest switching time is from  $\frac{1}{2}XTAL$  to  $\frac{1}{2}f_{int}$  or vice versa, the best for duty cycle is from  $\frac{1}{8}XTAL$  to  $\frac{1}{2}f_{int}$  or vice versa).

It is necessary to wait the maximum delay time before reactivating from Power-down mode.

In the event of a synchronous card, then the CLK contact is the copy of the value written in Synchronous Clock (SC). In reception mode, the data from the card is available to UR0 after a read operation of the URR; in transmission mode, the data is written on the I/O line of the card when the UTR has been written to and remains unchanged when another card is selected.

The Power Control Register (PCR), see Table 20:

- Starts or stops card sessions.
- Reads or writes on auxiliary card contacts C4 and C8.
- Is available only for cards 1 or 2.

If the microcontroller sets START to logic 1, then the selected card is activated (see Section "Activation sequence"). If the microcontroller resets START to logic 0, then the card is deactivated (see Section "Deactivation sequence"). START is automatically reset in case of emergency deactivation.

If 3 V/5 V is set to logic 1, then  $V_{CC}$  is 3 V. If 3 V/5 V is set to logic 0, then  $V_{CC}$  is 5 V.

When the card is activated, RST is the copy of the value written in RSTIN.

If 1.8 V is set, then  $V_{CC} = 1.8 V$ : It should be noted that no specification is guaranteed at this voltage.

When writing to the PCR, C4 will output the value written to PCR4, and C8 the value written to PCR5. When reading from the PCR, PCR4 will store the value on C4, and PCR5 the value on C8.

**Table 17** Guard time register (GTR1, 2 and 3) (read and write); address: 5 (all bits are cleared after reset)

| GT7 | GT6 | GT5 | GT4 | GT3 | GT2 | GT1 | GT0 |
|-----|-----|-----|-----|-----|-----|-----|-----|
| GT7 | GT6 | GT5 | GT4 | GT3 | GT2 | GT1 | GT0 |

**Table 18** UART configuration register 1 (UCR11, 12 and 13) (read and write); address: 6 (all relevant bits are cleared after reset)

| UC7      | UC6 | UC5 | UC4  | UC3 | UC2 | UC1 | UC0  |
|----------|-----|-----|------|-----|-----|-----|------|
| not used | FIP | FC  | PROT | T/R | LCT | SS  | CONV |

## Double multiprotocol IC card interface

## TDA8007B

**Table 19** Clock configuration register (CCR1, 2 and 3) (read and write); address: 1 (all bits are cleared after reset)

| CC7      | CC6      | CC5 | CC4 | CC3 | CC2 | CC1 | CC0 |
|----------|----------|-----|-----|-----|-----|-----|-----|
| not used | not used | SHL | CST | SC  | AC2 | AC1 | AC0 |

**Table 20** Power control register (PCR1 and 2) (read and write); address: 7 (all relevant bits are cleared after reset)

| PCR7     | PCR6     | PCR5 | PCR4 | PCR3 | PCR2  | PCR1  | PCR0  |
|----------|----------|------|------|------|-------|-------|-------|
| not used | not used | C8   | C4   | 1V8  | RSTIN | 3V/5V | START |

**Table 21** Register summary

| NAME | ADDR | R/W | 7        | 6              | 5        | 4        | 3        | 2         | 1           | 0           | VALUE AT RESET |
|------|------|-----|----------|----------------|----------|----------|----------|-----------|-------------|-------------|----------------|
| CSR  | 00   | R/W | not used | not used       | not used | not used | RIU      | SC3       | SC2         | SC1         | XXXX0000       |
| HSR  | 0F   | R   | not used | PRTL2          | PRTL1    | SUPL     | PRL2     | PRL1      | INTAUX<br>L | PTL         | X0010000       |
| MSR  | 0C   | R   | not used | FE             | BGT      | not used | PR2      | PR1       | INTAUX      | TBE/RF      | X10XXXX0       |
| TOR1 | 09   | W   | TOL7     | TOL6           | TOL5     | TOL4     | TOL3     | TOL2      | TOL1        | TOL0        | 00000000       |
| TOR2 | 0A   | W   | TOL15    | TOL14          | TOL13    | TOL12    | TOL11    | TOL10     | TOL9        | TOL8        | 00000000       |
| TOR3 | 0B   | W   | TOL23    | TOL22          | TOL21    | TOL20    | TOL19    | TOL18     | TOL17       | TOL16       | 00000000       |
| TOC  | 08   | R/W | TOC7     | TOC6           | TOC5     | TOC4     | TOC3     | TOC2      | TOC1        | TOC0        | 00000000       |
| UTR  | 0D   | W   | UT7      | UT6            | UT5      | UT4      | UT3      | UT2       | UT1         | UT0         | 00000000       |
| URR  | 0D   | R   | UR7      | UR6            | UR5      | UR4      | UR3      | UR2       | UR1         | UR0         | 00000000       |
| FCR  | 0C   | W   | not used | PEC2           | PEC1     | PEC0     | not used | FL2       | FL1         | FL0         | X000X000       |
| USR  | 0E   | R   | TO3      | not used       | TO1      | EA       | PE       | OVR       | FER         | TBE/<br>RBF | 0X000000       |
| PDR  | 02   | R/W | PD7      | PD6            | PD5      | PD4      | PD3      | PD2       | PD1         | PD0         | 00000000       |
| UCR2 | 03   | R/W | not used | DISTBE<br>/RBF | DISAUX   | PDWN     | SAN      | AUTO<br>C | CKU         | PSC         | X0000000       |
| GTR  | 05   | R/W | GT7      | GT6            | GT5      | GT4      | GT3      | GT2       | GT1         | GT0         | 00000000       |
| UCR1 | 06   | R/W | not used | FIP            | FC       | PROT     | T/R      | LCT       | SS          | CONV        | X0000000       |
| CCR  | 01   | R/W | not used | not used       | SHL      | CST      | SC       | AC2       | AC1         | AC0         | 00000000       |
| PCR  | 07   | R/W | not used | not used       | C8       | C4       | 1V8      | RSTIN     | 3V/5V       | START       | XX110000       |

# Double multiprotocol IC card interface

# TDA8007B

### Supply

The circuit operates within a supply voltage range of 2.7 to 6 V. The supply pins are  $V_{DD}$ ,  $V_{DDA}$ , GND and AGND. Pins  $V_{DDA}$  and AGND supply the analog drivers to the cards and have to be externally decoupled because of the large current spikes that the cards and the step-up converter can create. Pins  $V_{DD}$  and GND supply the rest of the chip. An integrated spike killer ensures that the contacts to the cards remain inactive during power-up or power-down. An internal voltage reference is generated which is used within the step-up converter, the voltage supervisor and the  $V_{CC}$  generators.

The voltage supervisor generates an alarm pulse, whose length is defined by an external capacitor tied to pin DELAY, when  $V_{DD}$  is too low to ensure proper operation (1 ms per 1 nF typical).

This pulse may be used as a reset pulse by the system microcontroller (pin RSTOUT, active HIGH). It is also used in order to either block any spurious noise on card contacts during the microcontrollers reset, or to force an automatic deactivation of the contacts in the event of supply dropout (see Sections "Activation sequence" and "Deactivation sequence").

After Power-on, or after a voltage drop, bit SUPL is set within the Hardware Status Register (HSR) and remains set until HSR is read-out outside the alarm pulse. Pin  $\overline{INT}$  is LOW for the duration that RSTOUT is active.

If needed, a complete reset of the chip may be performed by discharging the capacitor  $C_{DELAY}$ .

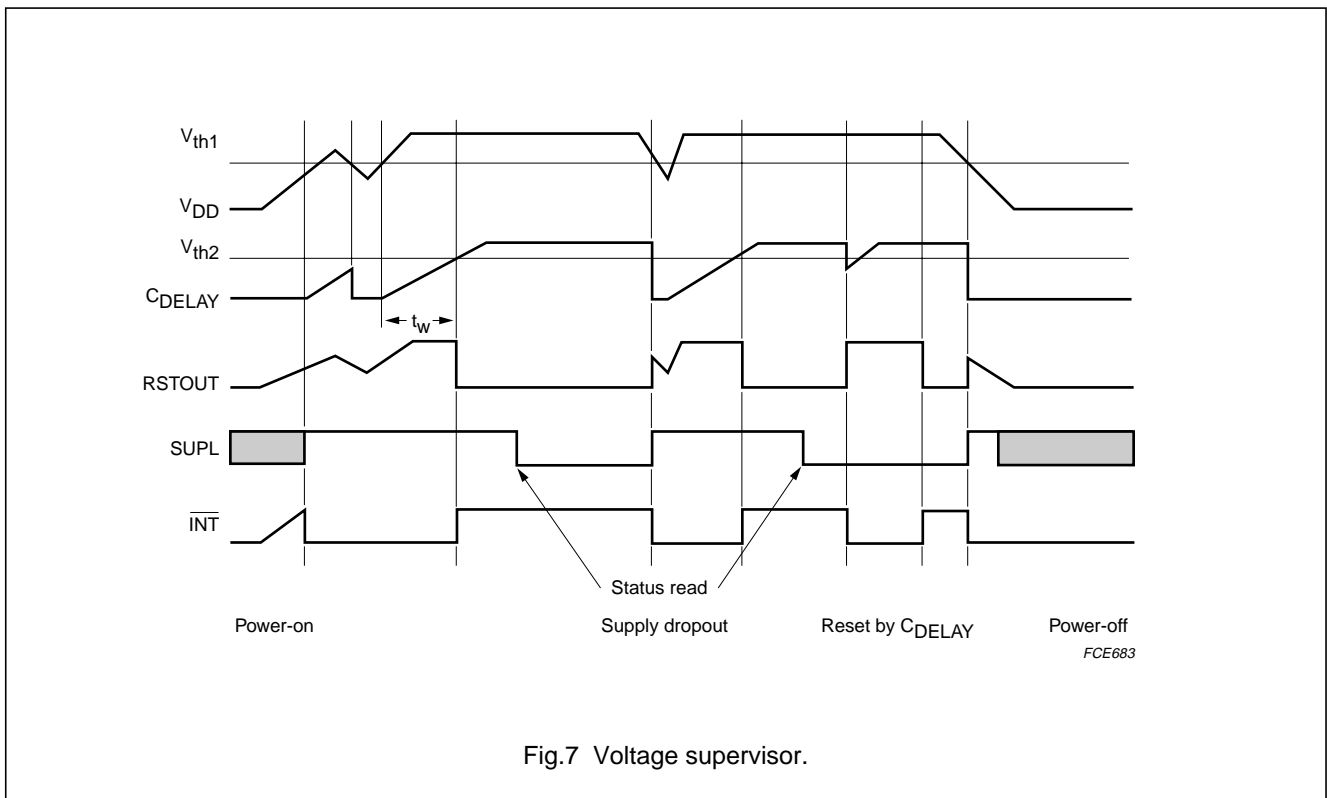


Fig.7 Voltage supervisor.

## Double multiprotocol IC card interface

TDA8007B

### Step-up converter

Except for the  $V_{CC}$  generator and the other cards contacts buffers, the whole circuit is powered by  $V_{DD}$ , and  $V_{DDA}$ . If the supply voltage is 2.5 V, then a higher voltage is needed for the ISO contacts supply. When a card session is requested by the microcontroller, the sequencer first enables the step-up converter (a switched capacitors type) which is clocked by an internal oscillator at a frequency of approximately 2.5 MHz.

Suppose that  $V_{CC}$  is the maximum of  $V_{CC1}$  and  $V_{CC2}$ , then there are four possible situations:

1.  $V_{DD} = 3\text{ V}$  and  $V_{CC} = 3\text{ V}$ : in this case the step-up converter acts as a doubler with a regulation of approximately 4.0 V.
2.  $V_{DD} = 3\text{ V}$  and  $V_{CC} = 5\text{ V}$ : in this case the step-up converter acts as a tripler with a regulation of approximately 5.5 V.
3.  $V_{DD} = 5\text{ V}$  and  $V_{CC} = 3\text{ V}$ : in this case the step-up converter acts as a follower:  $V_{DD}$  is applied to  $V_{UP}$ .
4.  $V_{DD} = 5\text{ V}$  and  $V_{CC} = 5\text{ V}$ : in this case the step-up converter acts as a doubler with a regulation of approximately 5.5 V.

The recognition of the supply voltage is done by the TDA8007B at approximately 3.5 V.

The output voltage  $V_{UP}$  is fed to the  $V_{CC}$  generators.  $V_{CC}$  and GND are used as a reference for all other card contacts.

### ISO 7816 security

The correct sequence during activation and deactivation of the cards is ensured by two specific sequencers, clocked by a division ratio of the internal oscillator.

Activation (START bit HIGH in PCR1 or PCR2) is only possible if the card is present (PRES active HIGH with an internal current source to GND) and if the supply voltage is correct (supervisor not active).

The presence of the cards is signalled to the microcontroller by the Hardware Status Register (HSR).

Bits PR1 or PR2 (in the USR) are set if card 1 or card 2 is present. PRL1 or PRL2 are set if PR1 or PR2 has toggled.

During a session, the sequencer performs an automatic emergency deactivation on one card in the event of card take-off, or short-circuit. Both cards are automatically deactivated in the event of a supply voltage drop, or overheating. The hardware status register is updated and the  $\overline{\text{INT}}$  line falls, so that the system microcontroller is aware of what happened.

### Activation sequence

When the cards are inactive,  $V_{CC}$ , CLK, RST, C4, C8 and I/O are LOW, with low-impedance with respect to GND. The step-up converter is stopped.

When everything is satisfactory (voltage supply, card present and no hardware problems), the system microcontroller may initiate an activation sequence on a present card.

After selecting the card and leaving the UART reset mode, and then configuring the necessary parameters for the counters and the UART, the START bit can be set within the PCR ( $t_0$ ) (see Fig.8):

- The step-up converter is started ( $t_1$ ); if one card was already active, then the step-up converter was already on and nothing more occurs at this step
- $V_{CC}$  starts rising ( $t_2$ ) from 0 to 5 V or 3 V with a controlled rise time of 0.17 V/ $\mu\text{s}$  (typ.)
- I/O rises to  $V_{CC}$  ( $t_3$ ); C4 and C8 also rise if bits C4 and C8 within the PCR have been set to logic 1 (integrated 10 k $\Omega$  pull-up resistors to  $V_{CC}$ )
- The CLK is sent to the card and RST is enabled ( $t_4$ ).

After a number of CLK pulses that can be counted with the time-out counter, bit RSTIN may be set by software: RST will then rise to  $V_{CC}$ .

The sequencer is clocked by  $\frac{1}{64}f_{\text{int}}$  which leads to a time interval of  $t = 25\ \mu\text{s}$  (typ.). Thus  $t_1 = 0$  to  $\frac{1}{64}t$ ,  $t_2 = t_1 + \frac{3}{2}t$ ,  $t_3 = t_1 + \frac{7}{2}t$  and  $t_4 = t_1 + 4t$ .

### Deactivation sequence

When the session is completed, the microcontroller resets START HIGH ( $t_{10}$ ). The circuit then executes an automatic deactivation sequence (see Fig.9):

- The card is reset (RST falls LOW) ( $t_{11}$ )
- The CLK is stopped ( $t_{12}$ )
- I/O, C4 and C8 fall to 0 V ( $t_{13}$ )
- $V_{CC}$  falls to 0 V with typical 0.17 V/ $\mu\text{s}$  slew rate ( $t_{14}$ )
- The step-up converter is stopped and CLK, RST,  $V_{CC}$  and I/O become low-impedance to GND ( $t_{15}$ ) (if both cards are inactive).

$t_{11} = t_{10} + \frac{1}{64}t$ ,  $t_{12} = t_{11} + \frac{1}{2}t$ ,  $t_{13} = t_{11} + t$ ,  $t_{14} = t_{11} + \frac{3}{2}t$  and  $t_{15} = t_{11} + \frac{7}{2}t$ .

$t_{\text{de}}$  = time that  $V_{CC}$  needs to decrease to less than 0.4 V.

Double multiprotocol IC card interface

TDA8007B

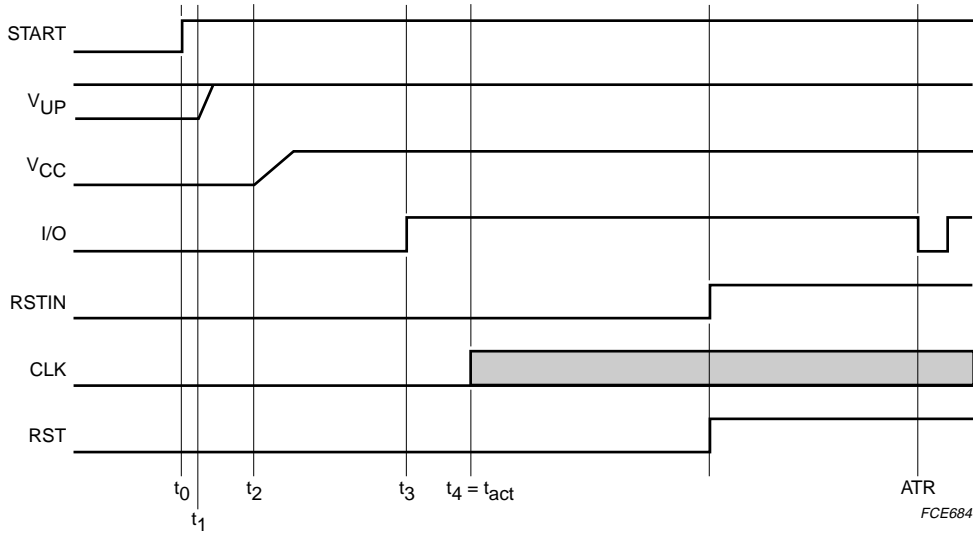


Fig.8 Activation sequence.

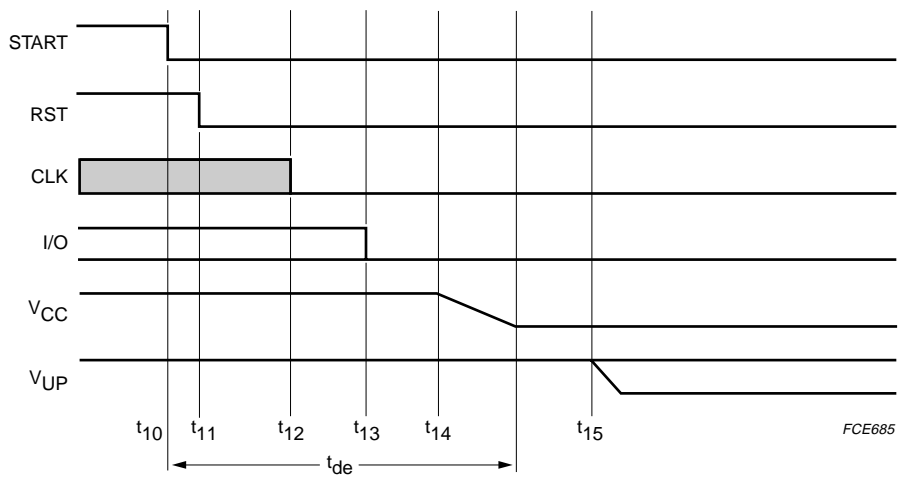


Fig.9 Deactivation sequence.

## Double multiprotocol IC card interface

TDA8007B

**LIMITING VALUES**

In accordance with the Absolute Maximum Rating System (IEC 60134).

| SYMBOL    | PARAMETER                                                                                                                            | CONDITIONS                  | MIN. | MAX.           | UNIT |
|-----------|--------------------------------------------------------------------------------------------------------------------------------------|-----------------------------|------|----------------|------|
| $V_{DDA}$ | analog supply voltage                                                                                                                |                             | -0.5 | +6.5           | V    |
| $V_{DD}$  | supply voltage                                                                                                                       |                             | -0.5 | +6.5           | V    |
| $V_n$     | input voltage on all pins except S1, S2, S3, S4 and $V_{UP}$                                                                         |                             | -0.5 | $V_{DD} + 0.5$ | V    |
|           | input voltage on pins S1, S2, S3, S4 and $V_{UP}$                                                                                    |                             | -0.5 | +7.5           | V    |
| $I_{n1}$  | DC current into all pins except S1, S2, S3, S4 and $V_{UP}$                                                                          |                             | -5   | +5             | mA   |
| $I_{n3}$  | DC current from or to pins S1, S2, S3, S4 and $V_{UP}$                                                                               |                             | -200 | +200           | mA   |
| $P_{tot}$ | total power dissipation                                                                                                              | $T_{amb} = -20$ to $+85$ °C | -    | 700            | mW   |
| $T_{stg}$ | IC storage temperature                                                                                                               |                             | -55  | +150           | °C   |
| $T_j$     | junction temperature                                                                                                                 |                             | -    | 125            | °C   |
| $V_{es}$  | electrostatic discharge voltage<br>on pins I/O1, $V_{CC1}$ , RST1, CLK1, GNDC1, PRES1, I/O2, $V_{CC2}$ , RST2, CLK2, GNDC2 and PRES2 |                             | -6   | +6             | kV   |
|           | on pins C41, C42, C81 and C82                                                                                                        |                             | -5.5 | +5.5           | kV   |
|           | on pins D0 to D7                                                                                                                     |                             | -1.8 | +1.8           | kV   |
|           | on other pins                                                                                                                        |                             | -2   | +2             | kV   |

**HANDLING**

Inputs and outputs are protected against electrostatic discharge in normal handling. However, to be totally safe, it is desirable to take normal precautions appropriate to handling MOS devices.

**THERMAL CHARACTERISTICS**

| SYMBOL        | PARAMETER                | CONDITIONS  | VALUE | UNIT |
|---------------|--------------------------|-------------|-------|------|
| $R_{th(j-a)}$ | from junction to ambient | in free air | 78    | K/W  |

## Double multiprotocol IC card interface

## TDA8007B

**CHARACTERISTICS**

$V_{DD} = 3.3\text{ V}$ ;  $V_{SS} = 0\text{ V}$ ;  $T_{amb} = 25\text{ °C}$ ; unless otherwise specified.

| SYMBOL                                        | PARAMETER                               | CONDITIONS                                                                                                                                        | MIN.        | TYP. | MAX.           | UNIT          |
|-----------------------------------------------|-----------------------------------------|---------------------------------------------------------------------------------------------------------------------------------------------------|-------------|------|----------------|---------------|
| <b>Supplies</b>                               |                                         |                                                                                                                                                   |             |      |                |               |
| $V_{DD}$                                      | supply voltage                          |                                                                                                                                                   | 2.7         | –    | 6.0            | V             |
| $I_{DD(pd)}$                                  | supply current in Power-down mode       | $V_{DD} = 3.3\text{ V}$ ; cards inactive; XTAL oscillator stopped                                                                                 | –           | –    | 350            | $\mu\text{A}$ |
|                                               |                                         | $V_{DD} = 3.3\text{ V}$ ; cards active at $V_{CC} = 5\text{ V}$ ; CLK stopped; XTAL oscillator stopped                                            | –           | –    | 3              | mA            |
| $I_{DD(sm)}$                                  | supply current in Sleep mode            | both cards powered, but with CLK stopped                                                                                                          | –           | –    | 5.5            | mA            |
| $I_{DD(om)}$                                  | supply current in operating mode        | $I_{CC1} = 65\text{ mA}$ ; $I_{CC2} = 15\text{ mA}$ ; $f_{XTAL} = 20\text{ MHz}$ ; $f_{CLK} = 10\text{ MHz}$ ; 5 V cards; $V_{DD} = 2.7\text{ V}$ | –           | –    | 315            | mA            |
|                                               |                                         | $I_{CC1} = 50\text{ mA}$ ; $I_{CC2} = 30\text{ mA}$ ; $f_{XTAL} = 20\text{ MHz}$ ; $f_{CLK} = 10\text{ MHz}$ ; 3 V cards; $V_{DD} = 2.7\text{ V}$ | –           | –    | 215            | mA            |
|                                               |                                         | $I_{CC1} = 50\text{ mA}$ ; $I_{CC2} = 30\text{ mA}$ ; $f_{XTAL} = 20\text{ MHz}$ ; $f_{CLK} = 10\text{ MHz}$ ; 3 V cards; $V_{DD} = 5\text{ V}$   | –           | –    | 100            | mA            |
| $V_{th1}$                                     | threshold voltage on $V_{DD}$ (falling) |                                                                                                                                                   | 2.25        | –    | 2.50           | V             |
| $V_{hys1}$                                    | hysteresis on $V_{th1}$                 |                                                                                                                                                   | 50          | –    | 170            | mV            |
| $V_{th2}$                                     | threshold voltage on pin DELAY          |                                                                                                                                                   | –           | 1.25 | –              | V             |
| $V_{DELAY}$                                   | voltage on pin DELAY                    |                                                                                                                                                   | –           | –    | $V_{DD} + 0.3$ | V             |
| $I_{o(DELAY)}$                                | output current at pin DELAY             | pin grounded (charge)                                                                                                                             | –           | –2   | –              | $\mu\text{A}$ |
|                                               |                                         | $V_{DELAY} = V_{DD}$ (discharge)                                                                                                                  | –           | 2    | –              | mA            |
| $C_{DELAY}$                                   | capacitance value                       |                                                                                                                                                   | 1           | –    | –              | nF            |
| $t_{W(ALARM)}$                                | ALARM pulse width                       | $C_{DELAY} = 22\text{ nF}$                                                                                                                        | –           | 10   | –              | ms            |
| <b>RSTOUT (open-drain active HIGH output)</b> |                                         |                                                                                                                                                   |             |      |                |               |
| $I_{OH}$                                      | HIGH-level output current               | active LOW option; $V_{OH} = 5\text{ V}$                                                                                                          | –           | –    | 10             | $\mu\text{A}$ |
| $V_{OL}$                                      | LOW-level output voltage                | active LOW option; $I_{OL} = 2\text{ mA}$                                                                                                         | –0.3        | –    | +0.4           | V             |
| $I_{OL}$                                      | LOW-level output current                | active HIGH option; $V_{OL} = 0\text{ V}$                                                                                                         | –           | –    | –10            | $\mu\text{A}$ |
| $V_{OH}$                                      | HIGH-level output voltage               | active HIGH option; $I_{OH} = -1\text{ mA}$                                                                                                       | $0.8V_{DD}$ | –    | $V_{DD} + 0.3$ | V             |
| <b>Crystal oscillator</b>                     |                                         |                                                                                                                                                   |             |      |                |               |
| $f_{XTAL}$                                    | crystal frequency                       |                                                                                                                                                   | 4           | –    | 25             | MHz           |
| $f_{ext}$                                     | external frequency applied to pin XTAL1 |                                                                                                                                                   | 0           | –    | 25             | MHz           |



## Double multiprotocol IC card interface

## TDA8007B

| SYMBOL                                           | PARAMETER                                           | CONDITIONS                           | MIN.                  | TYP. | MAX.            | UNIT          |
|--------------------------------------------------|-----------------------------------------------------|--------------------------------------|-----------------------|------|-----------------|---------------|
| <b>Step-up converter</b>                         |                                                     |                                      |                       |      |                 |               |
| $f_{\text{int}}$                                 | oscillation frequency                               |                                      | 2                     | 2.5  | 3.7             | MHz           |
| $V_{\text{VUP}}$                                 | voltage on pin $V_{\text{UP}}$                      | at least one 5 V card                | –                     | 5.7  | –               | V             |
|                                                  |                                                     | both cards 3 V                       | –                     | 4.1  | –               | V             |
| $V_{\text{det(dt)}}$                             | detection voltage for doubler/tripler selection     |                                      | 3.4                   | 3.5  | 3.6             | V             |
| <b>Reset output to the cards (RST1 and RST2)</b> |                                                     |                                      |                       |      |                 |               |
| $V_{\text{o(inactive)}}$                         | output voltage in inactive mode                     | no load                              | 0                     | –    | 0.1             | V             |
|                                                  |                                                     | $I_{\text{inactive}} = 1 \text{ mA}$ | 0                     | –    | 0.3             | V             |
| $I_{\text{RST(inactive)}}$                       | current from pin RST when inactive and pin grounded |                                      | 0                     | –    | –1              | mA            |
| $V_{\text{OL}}$                                  | LOW-level output voltage                            | $I_{\text{OL}} = 200 \mu\text{A}$    | 0                     | –    | 0.3             | V             |
| $V_{\text{OH}}$                                  | HIGH-level output voltage                           | $I_{\text{OH}} = -200 \mu\text{A}$   | $V_{\text{CC}} - 0.7$ | –    | $V_{\text{CC}}$ | V             |
| $t_{\text{r}}$                                   | rise time                                           | $C_{\text{L}} = 30 \text{ pF}$       | –                     | –    | 0.1             | $\mu\text{s}$ |
| $t_{\text{f}}$                                   | fall time                                           | $C_{\text{L}} = 30 \text{ pF}$       | –                     | –    | 0.1             | $\mu\text{s}$ |
| <b>Clock output to the cards (CLK1 and CLK2)</b> |                                                     |                                      |                       |      |                 |               |
| $V_{\text{o(inactive)}}$                         | output voltage in inactive mode                     | no load                              | 0                     | –    | 0.1             | V             |
|                                                  |                                                     | $I_{\text{inactive}} = 1 \text{ mA}$ | 0                     | –    | 0.3             | V             |
| $I_{\text{CLK(inactive)}}$                       | current from pin CLK when inactive and pin grounded |                                      | 0                     | –    | –1              | mA            |
| $V_{\text{OL}}$                                  | LOW-level output voltage                            | $I_{\text{OL}} = 200 \mu\text{A}$    | 0                     | –    | 0.3             | V             |
| $V_{\text{OH}}$                                  | HIGH-level output voltage                           | $I_{\text{OH}} = -200 \mu\text{A}$   | $V_{\text{CC}} - 0.5$ | –    | $V_{\text{CC}}$ | V             |
| $t_{\text{r}}$                                   | rise time                                           | $C_{\text{L}} = 30 \text{ pF}$       | –                     | –    | 8               | ns            |
| $t_{\text{f}}$                                   | fall time                                           | $C_{\text{L}} = 30 \text{ pF}$       | –                     | –    | 8               | ns            |
| $f_{\text{CLK}}$                                 | clock frequency                                     | 1 MHz Idle configuration             | 1                     | –    | 1.85            | MHz           |
|                                                  |                                                     | operational                          | 0                     | –    | 10              | MHz           |
| $\delta$                                         | duty factor                                         | $C_{\text{L}} = 30 \text{ pF}$       | 45                    | –    | 55              | %             |
| SR                                               | slew rate (rise and fall)                           | $C_{\text{L}} = 30 \text{ pF}$       | 0.2                   | –    | –               | V/ns          |

## Double multiprotocol IC card interface

## TDA8007B

| SYMBOL                                                                                                                                                                                           | PARAMETER                                                | CONDITIONS                                                                                                              | MIN.        | TYP. | MAX.            | UNIT             |
|--------------------------------------------------------------------------------------------------------------------------------------------------------------------------------------------------|----------------------------------------------------------|-------------------------------------------------------------------------------------------------------------------------|-------------|------|-----------------|------------------|
| <b>Card supply voltage (<math>V_{CC1}</math> and <math>V_{CC2}</math>) (2 ceramic multilayer capacitors with low ESR of minimum 100 nF should be used in order to meet these specifications)</b> |                                                          |                                                                                                                         |             |      |                 |                  |
| $V_{o(\text{inactive})}$                                                                                                                                                                         | output voltage in inactive mode                          | no load                                                                                                                 | 0           | –    | 0.1             | V                |
|                                                                                                                                                                                                  |                                                          | $I_{\text{inactive}} = 1 \text{ mA}$                                                                                    | 0           | –    | 0.3             | V                |
| $I_{V_{CC}(\text{inactive})}$                                                                                                                                                                    | current from pin $V_{CC}$ when inactive and pin grounded |                                                                                                                         | –           | –    | –1              | mA               |
| $V_{CC}$                                                                                                                                                                                         | output voltage                                           | active mode; $I_{CC} < 65 \text{ mA}$ ; 5 V card                                                                        | 4.75        | 5    | 5.25            | V                |
|                                                                                                                                                                                                  |                                                          | active mode; $I_{CC} < 50 \text{ mA}$ ; 3 V card                                                                        | 2.78        | 3    | 3.22            | V                |
|                                                                                                                                                                                                  |                                                          | active mode; current pulses of 40 nC with $I < 200 \text{ mA}$ ; $t < 400 \text{ ns}$ ; $f < 20 \text{ MHz}$ ; 5 V card | 4.6         | –    | 5.4             | V                |
|                                                                                                                                                                                                  |                                                          | active mode; current pulses of 24 nC with $I < 200 \text{ mA}$ ; $t < 400 \text{ ns}$ ; $f < 20 \text{ MHz}$ ; 3 V card | 2.75        | –    | 3.25            | V                |
| $I_{CC}$                                                                                                                                                                                         | output current                                           | 3 V card; from 0 to 3 V                                                                                                 | –           | –    | –50             | mA               |
|                                                                                                                                                                                                  |                                                          | 5 V card; from 0 to 5 V                                                                                                 | –           | –    | –65             | mA               |
| SR                                                                                                                                                                                               | slew rate                                                | up or down; maximum capacitance = 300 nF                                                                                | 0.05        | 0.16 | 0.22            | V/ $\mu\text{s}$ |
| $I_{CC1} + I_{CC2}$                                                                                                                                                                              | sum of both cards current                                |                                                                                                                         | –           | –    | –80             | mA               |
| <b>Data lines (I/O1 and I/O2) (I/O1 has an integrated 10 k<math>\Omega</math> pull-up at <math>V_{CC1}</math> and I/O2 at <math>V_{CC2}</math>)</b>                                              |                                                          |                                                                                                                         |             |      |                 |                  |
| $V_{o(\text{inactive})}$                                                                                                                                                                         | output voltage in inactive mode                          | no load                                                                                                                 | 0           | –    | 0.1             | V                |
|                                                                                                                                                                                                  |                                                          | $I_{\text{inactive}} = 1 \text{ mA}$                                                                                    | –           | –    | 0.3             | V                |
| $I_{o(\text{inactive})}$                                                                                                                                                                         | current from I/O when inactive and pin grounded          |                                                                                                                         | –           | –    | –1              | mA               |
| $V_{OL}$                                                                                                                                                                                         | LOW-level output voltage                                 | I/O configured as an output; $I_{OL} = 1 \text{ mA}$                                                                    | 0           | –    | 0.3             | V                |
| $V_{OH}$                                                                                                                                                                                         | HIGH-level output voltage                                | I/O configured as an output; $I_{OH} < -40 \mu\text{A}$                                                                 | $0.8V_{CC}$ | –    | $V_{CC} + 0.25$ | V                |
| $V_{IL}$                                                                                                                                                                                         | LOW-level input voltage                                  | I/O configured as an input                                                                                              | –0.3        | –    | +0.8            | V                |
| $V_{IH}$                                                                                                                                                                                         | HIGH-level input voltage                                 | I/O configured as an input                                                                                              | 1.5         | –    | $V_{CC}$        | V                |
| $I_{IL}$                                                                                                                                                                                         | LOW-level input current on I/O                           | $V_{IL} = 0$                                                                                                            | –           | –    | 600             | $\mu\text{A}$    |
| $I_{L(H)}$                                                                                                                                                                                       | input leakage current HIGH on I/O                        | $V_{IH} = V_{CC}$                                                                                                       | –           | –    | 20              | $\mu\text{A}$    |
| $t_{i(\text{tr})}$ , $t_{i(\text{tf})}$                                                                                                                                                          | input transition times                                   | $C_L < = 30 \text{ pF}$                                                                                                 | –           | –    | 1               | $\mu\text{s}$    |
| $t_{o(\text{tr})}$ , $t_{o(\text{tf})}$                                                                                                                                                          | output transition times                                  | $C_L < = 30 \text{ pF}$                                                                                                 | –           | –    | 0.1             | $\mu\text{s}$    |
| $R_{pu}$                                                                                                                                                                                         | internal pull-up resistance between I/O and $V_{CC}$     |                                                                                                                         | 8           | 10   | 12              | k $\Omega$       |

## Double multiprotocol IC card interface

## TDA8007B

| SYMBOL                                                                                                                                                                                                    | PARAMETER                                                     | CONDITIONS                                               | MIN.               | TYP. | MAX.                   | UNIT |
|-----------------------------------------------------------------------------------------------------------------------------------------------------------------------------------------------------------|---------------------------------------------------------------|----------------------------------------------------------|--------------------|------|------------------------|------|
| <b>Auxiliary cards contacts (pins C41, C81, C42 and C82) (pins C41 and C81 have an integrated 10 kΩ pull-up at V<sub>CC1</sub>, pins C42 and C82 have an integrated 10 kΩ pull-up at V<sub>CC2</sub>)</b> |                                                               |                                                          |                    |      |                        |      |
| V <sub>o(inactive)</sub>                                                                                                                                                                                  | output voltage inactive                                       | no load                                                  | 0                  | –    | 0.1                    | V    |
|                                                                                                                                                                                                           |                                                               | I <sub>inactive</sub> = 1 mA                             | –                  | –    | 0.3                    | V    |
| I <sub>inactive</sub>                                                                                                                                                                                     | current from pins C4 or C8 when inactive and pin grounded     |                                                          | –                  | –    | –1                     | mA   |
| V <sub>OL</sub>                                                                                                                                                                                           | LOW-level output voltage                                      | C4 or C8 configured as an output; I <sub>OL</sub> = 1 mA | 0                  | –    | 0.3                    | V    |
| V <sub>OH</sub>                                                                                                                                                                                           | HIGH-level output voltage                                     | I/O configured as an output; I <sub>OH</sub> < –40 μA    | 0.8V <sub>CC</sub> | –    | V <sub>CC</sub> + 0.25 | V    |
| V <sub>IL</sub>                                                                                                                                                                                           | LOW-level input voltage                                       | C4 or C8 configured as an input                          | –0.3               | –    | +0.8                   | V    |
| V <sub>IH</sub>                                                                                                                                                                                           | HIGH-level output voltage                                     | C4 or C8 configured as an input                          | 1.5                | –    | V <sub>CC</sub>        | V    |
| I <sub>IL</sub>                                                                                                                                                                                           | LOW-level input current on pins C4 or C8                      | V <sub>IL</sub> = 0                                      | –                  | –    | 600                    | μA   |
| I <sub>LI(H)</sub>                                                                                                                                                                                        | input leakage current HIGH on pins C4 or C8                   | V <sub>IH</sub> = V <sub>CC</sub>                        | –                  | –    | 20                     | μA   |
| t <sub>i(tr)</sub> , t <sub>i(tf)</sub>                                                                                                                                                                   | input transition times                                        | C <sub>L</sub> = 30 pF                                   | –                  | –    | 1                      | μs   |
| t <sub>o(tr)</sub> , t <sub>o(tf)</sub>                                                                                                                                                                   | output transition times                                       | C <sub>L</sub> = 30 pF                                   | –                  | –    | 0.1                    | μs   |
| t <sub>W(pu)</sub>                                                                                                                                                                                        | width of active pull-up pulse                                 |                                                          | –                  | 200  | –                      | ns   |
| R <sub>int(pu)</sub>                                                                                                                                                                                      | internal pull-up resistance between C4/C8 and V <sub>CC</sub> |                                                          | 8                  | 10   | 12                     | kΩ   |
| f <sub>(max)</sub>                                                                                                                                                                                        | maximum frequency on C4 or C8                                 |                                                          | –                  | –    | 1                      | MHz  |
| <b>Timing</b>                                                                                                                                                                                             |                                                               |                                                          |                    |      |                        |      |
| t <sub>act</sub>                                                                                                                                                                                          | activation sequence duration                                  |                                                          | –                  | –    | 130                    | μs   |
| t <sub>de</sub>                                                                                                                                                                                           | deactivation sequence duration                                |                                                          | –                  | –    | 150                    | μs   |
| <b>Protections and limitations</b>                                                                                                                                                                        |                                                               |                                                          |                    |      |                        |      |
| I <sub>CC(sd)</sub>                                                                                                                                                                                       | shutdown and limitation current at V <sub>CC</sub>            |                                                          | –                  | –100 | –                      | mA   |
| I <sub>I/O(lim)</sub>                                                                                                                                                                                     | limitation current on the I/O                                 |                                                          | –15                | –    | +15                    | mA   |
| I <sub>CLK(lim)</sub>                                                                                                                                                                                     | limitation current on pin CLK                                 |                                                          | –70                | –    | +70                    | mA   |
| I <sub>RST(sd)</sub>                                                                                                                                                                                      | shutdown and limitation current on RST                        |                                                          | –20                | –    | +20                    | mA   |
| T <sub>sd</sub>                                                                                                                                                                                           | shutdown temperature                                          |                                                          | –                  | 150  | –                      | °C   |
| <b>Card presence inputs 1s (pins PRES1 and PRES2)</b>                                                                                                                                                     |                                                               |                                                          |                    |      |                        |      |
| V <sub>IL</sub>                                                                                                                                                                                           | LOW-level input voltage                                       |                                                          | –                  | –    | 0.3V <sub>DD</sub>     | V    |
| V <sub>IH</sub>                                                                                                                                                                                           | HIGH-level input voltage                                      |                                                          | 0.7V <sub>DD</sub> | –    | –                      | V    |
| I <sub>IL(L)</sub>                                                                                                                                                                                        | input leakage current LOW                                     | V <sub>IN</sub> = 0                                      | –20                | –    | +20                    | μA   |
| I <sub>IL(H)</sub>                                                                                                                                                                                        | input leakage current HIGH                                    | V <sub>IN</sub> = V <sub>DD</sub>                        | –20                | –    | +20                    | μA   |

## Double multiprotocol IC card interface

## TDA8007B

| SYMBOL                                                                                                                | PARAMETER                                               | CONDITIONS                | MIN.        | TYP. | MAX.            | UNIT             |
|-----------------------------------------------------------------------------------------------------------------------|---------------------------------------------------------|---------------------------|-------------|------|-----------------|------------------|
| <b>Bidirectional data bus (pins D0 to D7)</b>                                                                         |                                                         |                           |             |      |                 |                  |
| $V_{IL}$                                                                                                              | LOW-level input voltage                                 |                           | –           | –    | $0.3V_{DD}$     | V                |
| $V_{IH}$                                                                                                              | HIGH-level input voltage                                |                           | $0.7V_{DD}$ | –    | –               | V                |
| $I_{IL(L)}$                                                                                                           | input leakage current LOW                               |                           | –20         | –    | +20             | $\mu\text{A}$    |
| $I_{IL(H)}$                                                                                                           | input leakage current HIGH                              |                           | –20         | –    | +20             | $\mu\text{A}$    |
| $C_L$                                                                                                                 | load capacitance                                        |                           | –           | –    | 10              | pF               |
| $V_{OL}$                                                                                                              | LOW-level output voltage                                | $I_{OL} = 5 \text{ mA}$   | –           | –    | $0.2V_{DD}$     | V                |
| $V_{OH}$                                                                                                              | HIGH-level output voltage                               | $I_{OH} = -5 \text{ mA}$  | $0.8V_{DD}$ | –    | –               | V                |
| $t_{o(tr)}, t_{o(tf)}$                                                                                                | output transition time                                  | $C_L = 50 \text{ pF}$     | –           | –    | 25              | ns               |
| <b>Logic inputs (pins ALE, A0, A1, A2, A3, INTAUX, <math>\overline{CS}</math>, <math>\overline{RD}</math> and WR)</b> |                                                         |                           |             |      |                 |                  |
| $V_{IL}$                                                                                                              | LOW-level input voltage                                 |                           | –0.3        | –    | $+0.3V_{DD}$    | V                |
| $V_{IH}$                                                                                                              | HIGH-level input voltage                                |                           | $0.7V_{DD}$ | –    | $V_{DD} + 0.3$  | V                |
| $I_{IL(L)}$                                                                                                           | input leakage current LOW                               |                           | –20         | –    | +20             | $\mu\text{A}$    |
| $I_{IL(H)}$                                                                                                           | input leakage current HIGH                              |                           | –20         | –    | +20             | $\mu\text{A}$    |
| $C_L$                                                                                                                 | load capacitance                                        |                           | –           | –    | 10              | pF               |
| <b>Auxiliary I/O (pin I/OAUX)</b>                                                                                     |                                                         |                           |             |      |                 |                  |
| $V_{IL}$                                                                                                              | LOW-level input voltage                                 |                           | –0.3        | –    | $+0.3V_{DD}$    | V                |
| $V_{IH}$                                                                                                              | HIGH-level input voltage                                |                           | $0.7V_{DD}$ | –    | $V_{DD} + 0.3$  | V                |
| $I_{IL(H)}$                                                                                                           | input leakage current HIGH                              |                           | –20         | –    | +20             | $\mu\text{A}$    |
| $I_{IL}$                                                                                                              | LOW-level input current                                 | $V_{IL} = 0$              | –           | –    | –600            | $\mu\text{A}$    |
| $V_{OL}$                                                                                                              | LOW-level output voltage                                | $I_{OL} = 1 \text{ mA}$   | –           | –    | 300             | mV               |
| $V_{OH}$                                                                                                              | HIGH-level output voltage                               | $I_{OH} = 40 \mu\text{A}$ | $0.8V_{DD}$ | –    | $V_{DD} + 0.25$ | V                |
| $R_{int(pu)}$                                                                                                         | internal pull-up resistance between I/OAUX and $V_{DD}$ |                           | 8           | 10   | 12              | $\text{k}\Omega$ |
| $t_{i(tr)}, t_{i(tf)}$                                                                                                | input transition time                                   | $C_L = 30 \text{ pF}$     | –           | –    | 1               | $\mu\text{s}$    |
| $t_{o(tr)}, t_{o(tf)}$                                                                                                | output transition time                                  | $C_L = 30 \text{ pF}$     | –           | –    | 0.1             | $\mu\text{s}$    |
| $f_{I/OAUX(max)}$                                                                                                     | maximum frequency on pin I/OAUX                         |                           | –           | –    | 1               | MHz              |
| <b>Interrupt line <math>\overline{INT}</math> (open-drain active LOW output)</b>                                      |                                                         |                           |             |      |                 |                  |
| $V_{OH}$                                                                                                              | LOW-level output voltage                                | $I_{OH} = 2 \text{ mA}$   | –           | –    | 0.3             | V                |
| $I_{IL(H)}$                                                                                                           | input leakage current HIGH                              |                           | –           | –    | 10              | $\mu\text{A}$    |

## Double multiprotocol IC card interface

TDA8007B

| SYMBOL                                           | PARAMETER                                                                              | CONDITIONS                                                    | MIN.         | TYP. | MAX. | UNIT |
|--------------------------------------------------|----------------------------------------------------------------------------------------|---------------------------------------------------------------|--------------|------|------|------|
| <b>Timing for multiplexed bus; see Fig.4</b>     |                                                                                        |                                                               |              |      |      |      |
| $t_{XTAL1}$                                      | period on XTAL1                                                                        |                                                               | 50           | –    | –    | ns   |
| $t_{W(ALE)}$                                     | ALE pulse width                                                                        |                                                               | 20           | –    | –    | ns   |
| $t_{AVLL}$                                       | address valid to ALE LOW                                                               |                                                               | 10           | –    | –    | ns   |
| $t_{(AL-RWL)}$                                   | ALE LOW to $\overline{RD}$ or $\overline{WR}$ LOW                                      |                                                               | 10           | –    | –    | ns   |
| $t_{W(RD)}$                                      | $\overline{RD}$ pulse width for URR                                                    |                                                               | $2t_{XTAL1}$ | –    | –    | ns   |
|                                                  | pulse width for other registers                                                        |                                                               | 10           | –    | –    | ns   |
| $t_{(RL-DV)}$                                    | $\overline{RD}$ LOW to data out valid                                                  |                                                               | –            | –    | 50   | ns   |
| $t_{(RWH-AH)}$                                   | $\overline{RD}$ or $\overline{WR}$ HIGH to ALE HIGH                                    |                                                               | 10           | –    | –    | ns   |
| $t_{W(WR)}$                                      | $\overline{WR}$ pulse width                                                            |                                                               | 10           | –    | –    | ns   |
| $t_{(DV-WL)}$                                    | data in valid to $\overline{WR}$ LOW                                                   |                                                               | 10           | –    | –    | ns   |
| <b>Timing for non-multiplexed bus; see Fig.5</b> |                                                                                        |                                                               |              |      |      |      |
| $t_{(REH-CL)}$                                   | $\overline{RD}$ or $\overline{EN}$ HIGH to $\overline{CS}$ LOW                         |                                                               | 10           | –    | –    | ns   |
| $t_{(CEL-DV)}$                                   | $\overline{CS}$ and $\overline{EN}$ LOW to data out valid                              | when reading from URR; $t_{(CEL-DV)}$ is minimum $2t_{XTAL1}$ | –            | –    | 50   | ns   |
| $t_{(CEH-DZ)}$                                   | $\overline{CS}$ and $\overline{EN}$ HIGH to data high-impedance                        |                                                               | –            | –    | 10   | ns   |
| $t_{(AD-DV)}$                                    | addresses stable to data out valid                                                     |                                                               | –            | –    | 10   | ns   |
| $t_{(RL-CEL)}$                                   | $R/\overline{W}$ LOW to $\overline{CS}$ or $\overline{EN}$ LOW                         |                                                               | 10           | –    | –    | ns   |
| $t_{(CREL-DZ)}$                                  | $\overline{CS}$ and $R/\overline{W}$ and $\overline{EN}$ LOW to data in high-impedance |                                                               | –            | –    | –    | ns   |
| $t_{(DV-WL)}$                                    | DATA valid to $\overline{WR}$ LOW                                                      |                                                               | 10           | –    | –    | ns   |

# Double multiprotocol IC card interface

## TDA8007B

### APPLICATION INFORMATION:

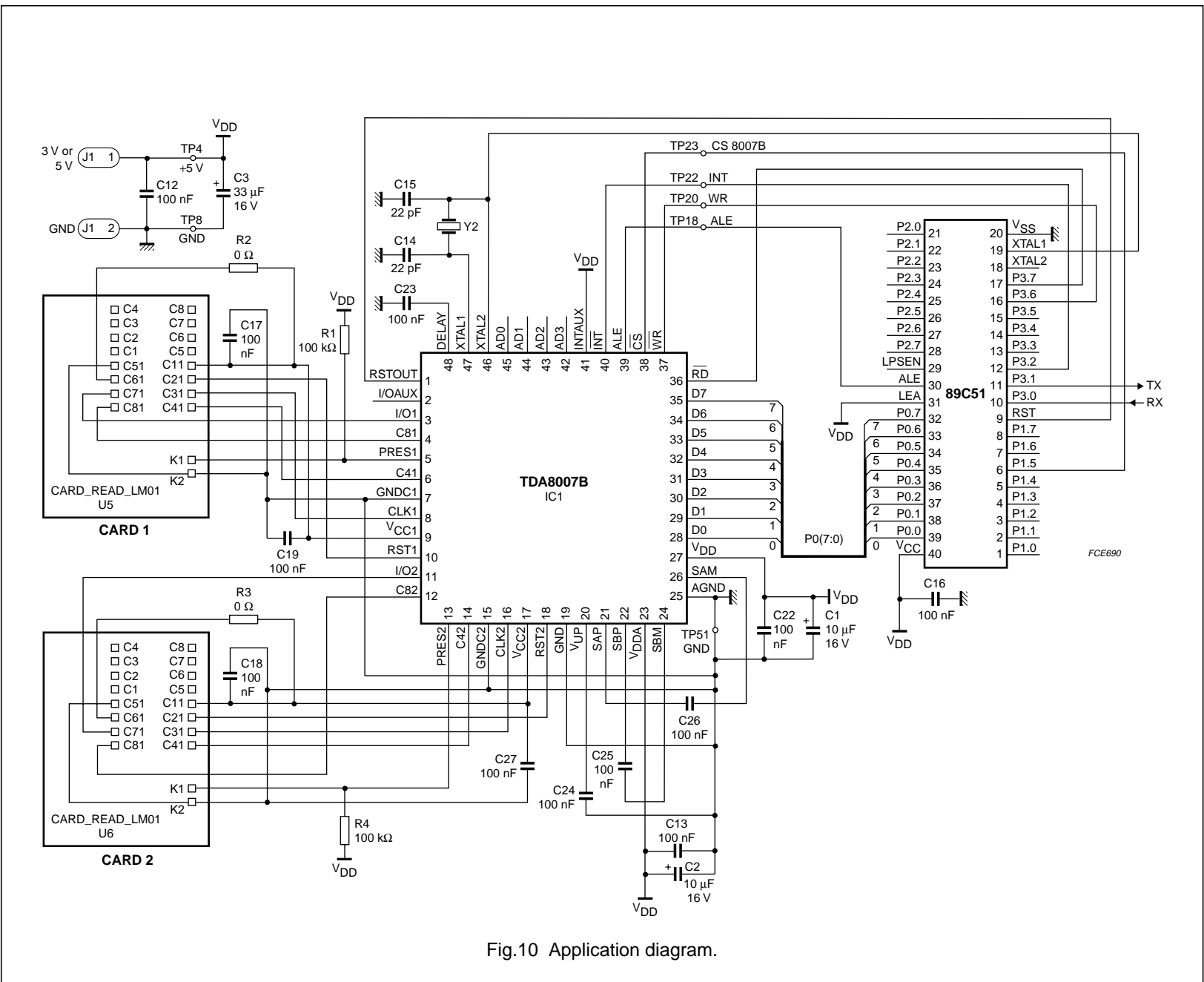


Fig.10 Application diagram.

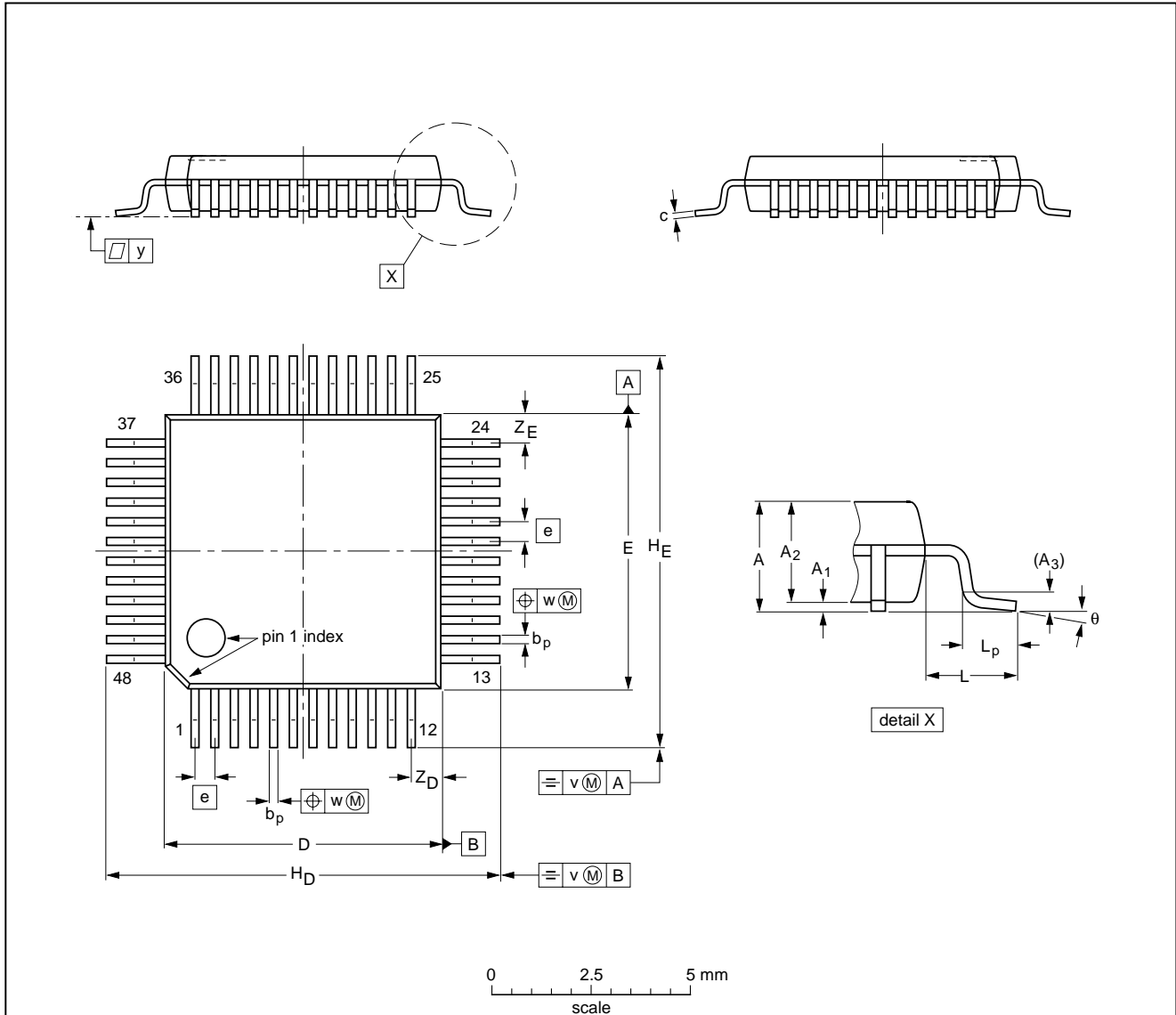
# Double multiprotocol IC card interface

# TDA8007B

## PACKAGE OUTLINE

LQFP48: plastic low profile quad flat package; 48 leads; body 7 x 7 x 1.4 mm

SOT313-2



**DIMENSIONS (mm are the original dimensions)**

| UNIT | A max. | A <sub>1</sub> | A <sub>2</sub> | A <sub>3</sub> | b <sub>p</sub> | c            | D <sup>(1)</sup> | E <sup>(1)</sup> | e   | H <sub>D</sub> | H <sub>E</sub> | L   | L <sub>p</sub> | v   | w    | y   | Z <sub>D</sub> <sup>(1)</sup> | Z <sub>E</sub> <sup>(1)</sup> | θ        |
|------|--------|----------------|----------------|----------------|----------------|--------------|------------------|------------------|-----|----------------|----------------|-----|----------------|-----|------|-----|-------------------------------|-------------------------------|----------|
| mm   | 1.60   | 0.20<br>0.05   | 1.45<br>1.35   | 0.25           | 0.27<br>0.17   | 0.18<br>0.12 | 7.1<br>6.9       | 7.1<br>6.9       | 0.5 | 9.15<br>8.85   | 9.15<br>8.85   | 1.0 | 0.75<br>0.45   | 0.2 | 0.12 | 0.1 | 0.95<br>0.55                  | 0.95<br>0.55                  | 7°<br>0° |

**Note**

1. Plastic or metal protrusions of 0.25 mm maximum per side are not included.

| OUTLINE VERSION | REFERENCES |        |      |  | EUROPEAN PROJECTION | ISSUE DATE           |
|-----------------|------------|--------|------|--|---------------------|----------------------|
|                 | IEC        | JEDEC  | EIAJ |  |                     |                      |
| SOT313-2        | 136E05     | MS-026 |      |  |                     | 99-12-27<br>00-01-19 |

## Double multiprotocol IC card interface

TDA8007B

### SOLDERING

#### Introduction to soldering surface mount packages

This text gives a very brief insight to a complex technology. A more in-depth account of soldering ICs can be found in our *"Data Handbook IC26; Integrated Circuit Packages"* (document order number 9398 652 90011).

There is no soldering method that is ideal for all surface mount IC packages. Wave soldering is not always suitable for surface mount ICs, or for printed-circuit boards with high population densities. In these situations reflow soldering is often used.

#### Reflow soldering

Reflow soldering requires solder paste (a suspension of fine solder particles, flux and binding agent) to be applied to the printed-circuit board by screen printing, stencilling or pressure-syringe dispensing before package placement.

Several methods exist for reflowing; for example, infrared/convection heating in a conveyor type oven. Throughput times (preheating, soldering and cooling) vary between 100 and 200 seconds depending on heating method.

Typical reflow peak temperatures range from 215 to 250 °C. The top-surface temperature of the packages should preferably be kept below 230 °C.

#### Wave soldering

Conventional single wave soldering is not recommended for surface mount devices (SMDs) or printed-circuit boards with a high component density, as solder bridging and non-wetting can present major problems.

To overcome these problems the double-wave soldering method was specifically developed.

If wave soldering is used the following conditions must be observed for optimal results:

- Use a double-wave soldering method comprising a turbulent wave with high upward pressure followed by a smooth laminar wave.
- For packages with leads on two sides and a pitch (e):
  - larger than or equal to 1.27 mm, the footprint longitudinal axis is **preferred** to be parallel to the transport direction of the printed-circuit board;
  - smaller than 1.27 mm, the footprint longitudinal axis **must** be parallel to the transport direction of the printed-circuit board.

The footprint must incorporate solder thieves at the downstream end.

- For packages with leads on four sides, the footprint must be placed at a 45° angle to the transport direction of the printed-circuit board. The footprint must incorporate solder thieves downstream and at the side corners.

During placement and before soldering, the package must be fixed with a droplet of adhesive. The adhesive can be applied by screen printing, pin transfer or syringe dispensing. The package can be soldered after the adhesive is cured.

Typical dwell time is 4 seconds at 250 °C.

A mildly-activated flux will eliminate the need for removal of corrosive residues in most applications.

#### Manual soldering

Fix the component by first soldering two diagonally-opposite end leads. Use a low voltage (24 V or less) soldering iron applied to the flat part of the lead. Contact time must be limited to 10 seconds at up to 300 °C.

When using a dedicated tool, all other leads can be soldered in one operation within 2 to 5 seconds between 270 and 320 °C.



## Double multiprotocol IC card interface

TDA8007B

## Suitability of surface mount IC packages for wave and reflow soldering methods

| PACKAGE                                      | SOLDERING METHOD                  |                       |
|----------------------------------------------|-----------------------------------|-----------------------|
|                                              | WAVE                              | REFLOW <sup>(1)</sup> |
| BGA, LFBGA, SQFP, TFBGA                      | not suitable                      | suitable              |
| HBCC, HLQFP, HSQFP, HSOP, HTQFP, HTSSOP, SMS | not suitable <sup>(2)</sup>       | suitable              |
| PLCC <sup>(3)</sup> , SO, SOJ                | suitable                          | suitable              |
| LQFP, QFP, TQFP                              | not recommended <sup>(3)(4)</sup> | suitable              |
| SSOP, TSSOP, VSO                             | not recommended <sup>(5)</sup>    | suitable              |

## Notes

1. All surface mount (SMD) packages are moisture sensitive. Depending upon the moisture content, the maximum temperature (with respect to time) and body size of the package, there is a risk that internal or external package cracks may occur due to vaporization of the moisture in them (the so called popcorn effect). For details, refer to the Drypack information in the "Data Handbook IC26; Integrated Circuit Packages; Section: Packing Methods".
2. These packages are not suitable for wave soldering as a solder joint between the printed-circuit board and heatsink (at bottom version) can not be achieved, and as solder may stick to the heatsink (on top version).
3. If wave soldering is considered, then the package must be placed at a 45° angle to the solder wave direction. The package footprint must incorporate solder thieves downstream and at the side corners.
4. Wave soldering is only suitable for LQFP, TQFP and QFP packages with a pitch (e) equal to or larger than 0.8 mm; it is definitely not suitable for packages with a pitch (e) equal to or smaller than 0.65 mm.
5. Wave soldering is only suitable for SSOP and TSSOP packages with a pitch (e) equal to or larger than 0.65 mm; it is definitely not suitable for packages with a pitch (e) equal to or smaller than 0.5 mm.

## Double multiprotocol IC card interface

TDA8007B

## DATA SHEET STATUS

| DATA SHEET STATUS         | PRODUCT STATUS | DEFINITIONS <sup>(1)</sup>                                                                                                                                                                                                                                 |
|---------------------------|----------------|------------------------------------------------------------------------------------------------------------------------------------------------------------------------------------------------------------------------------------------------------------|
| Objective specification   | Development    | This data sheet contains the design target or goal specifications for product development. Specification may change in any manner without notice.                                                                                                          |
| Preliminary specification | Qualification  | This data sheet contains preliminary data, and supplementary data will be published at a later date. Philips Semiconductors reserves the right to make changes at any time without notice in order to improve design and supply the best possible product. |
| Product specification     | Production     | This data sheet contains final specifications. Philips Semiconductors reserves the right to make changes at any time without notice in order to improve design and supply the best possible product.                                                       |

## Note

1. Please consult the most recently issued data sheet before initiating or completing a design.

## DEFINITIONS

**Short-form specification** — The data in a short-form specification is extracted from a full data sheet with the same type number and title. For detailed information see the relevant data sheet or data handbook.

**Limiting values definition** — Limiting values given are in accordance with the Absolute Maximum Rating System (IEC 60134). Stress above one or more of the limiting values may cause permanent damage to the device. These are stress ratings only and operation of the device at these or at any other conditions above those given in the Characteristics sections of the specification is not implied. Exposure to limiting values for extended periods may affect device reliability.

**Application information** — Applications that are described herein for any of these products are for illustrative purposes only. Philips Semiconductors make no representation or warranty that such applications will be suitable for the specified use without further testing or modification.

## DISCLAIMERS

**Life support applications** — These products are not designed for use in life support appliances, devices, or systems where malfunction of these products can reasonably be expected to result in personal injury. Philips Semiconductors customers using or selling these products for use in such applications do so at their own risk and agree to fully indemnify Philips Semiconductors for any damages resulting from such application.

**Right to make changes** — Philips Semiconductors reserves the right to make changes, without notice, in the products, including circuits, standard cells, and/or software, described or contained herein in order to improve design and/or performance. Philips Semiconductors assumes no responsibility or liability for the use of any of these products, conveys no licence or title under any patent, copyright, or mask work right to these products, and makes no representations or warranties that these products are free from patent, copyright, or mask work right infringement, unless otherwise specified.

Double multiprotocol IC card interface

TDA8007B

---

**NOTES**

# Philips Semiconductors – a worldwide company

**Argentina:** see South America

**Australia:** 3 Figtree Drive, HOMEBUSH, NSW 2140,  
Tel. +61 2 9704 8141, Fax. +61 2 9704 8139

**Austria:** Computerstr. 6, A-1101 WIEN, P.O. Box 213,  
Tel. +43 1 60 101 1248, Fax. +43 1 60 101 1210

**Belarus:** Hotel Minsk Business Center, Bld. 3, r. 1211, Volodarski Str. 6,  
220050 MINSK, Tel. +375 172 20 0733, Fax. +375 172 20 0773

**Belgium:** see The Netherlands

**Brazil:** see South America

**Bulgaria:** Philips Bulgaria Ltd., Energoproject, 15th floor,  
51 James Bourchier Blvd., 1407 SOFIA,  
Tel. +359 2 68 9211, Fax. +359 2 68 9102

**Canada:** PHILIPS SEMICONDUCTORS/COMPONENTS,  
Tel. +1 800 234 7381, Fax. +1 800 943 0087

**China/Hong Kong:** 501 Hong Kong Industrial Technology Centre,  
72 Tat Chee Avenue, Kowloon Tong, HONG KONG,  
Tel. +852 2319 7888, Fax. +852 2319 7700

**Colombia:** see South America

**Czech Republic:** see Austria

**Denmark:** Sydhavnsgade 23, 1780 COPENHAGEN V,  
Tel. +45 33 29 3333, Fax. +45 33 29 3905

**Finland:** Sinikalliontie 3, FIN-02630 ESPOO,  
Tel. +358 9 615 800, Fax. +358 9 6158 0920

**France:** 51 Rue Carnot, BP317, 92156 SURESNES Cedex,  
Tel. +33 1 4099 6161, Fax. +33 1 4099 6427

**Germany:** Hammerbrookstraße 69, D-20097 HAMBURG,  
Tel. +49 40 2353 60, Fax. +49 40 2353 6300

**Hungary:** see Austria

**India:** Philips INDIA Ltd, Band Box Building, 2nd floor,  
254-D, Dr. Annie Besant Road, Worli, MUMBAI 400 025,  
Tel. +91 22 493 8541, Fax. +91 22 493 0966

**Indonesia:** PT Philips Development Corporation, Semiconductors Division,  
Gedung Philips, Jl. Buncit Raya Kav.99-100, JAKARTA 12510,  
Tel. +62 21 794 0040 ext. 2501, Fax. +62 21 794 0080

**Ireland:** Newstead, Clonskeagh, DUBLIN 14,  
Tel. +353 1 7640 000, Fax. +353 1 7640 200

**Israel:** RAPAC Electronics, 7 Kehilat Saloniki St, PO Box 18053,  
TEL AVIV 61180, Tel. +972 3 645 0444, Fax. +972 3 649 1007

**Italy:** PHILIPS SEMICONDUCTORS, Via Casati, 23 - 20052 MONZA (MI),  
Tel. +39 039 203 6838, Fax +39 039 203 6800

**Japan:** Philips Bldg 13-37, Kohnan 2-chome, Minato-ku,  
TOKYO 108-8507, Tel. +81 3 3740 5130, Fax. +81 3 3740 5057

**Korea:** Philips House, 260-199 Itaewon-dong, Yongsan-ku, SEOUL,  
Tel. +82 2 709 1412, Fax. +82 2 709 1415

**Malaysia:** No. 76 Jalan Universiti, 46200 PETALING JAYA, SELANGOR,  
Tel. +60 3 750 5214, Fax. +60 3 757 4880

**Mexico:** 5900 Gateway East, Suite 200, EL PASO, TEXAS 79905,  
Tel. +9-5 800 234 7381, Fax +9-5 800 943 0087

**Middle East:** see Italy

**Netherlands:** Postbus 90050, 5600 PB EINDHOVEN, Bldg. VB,  
Tel. +31 40 27 82785, Fax. +31 40 27 88399

**New Zealand:** 2 Wagener Place, C.P.O. Box 1041, AUCKLAND,  
Tel. +64 9 849 4160, Fax. +64 9 849 7811

**Norway:** Box 1, Manglerud 0612, OSLO,  
Tel. +47 22 74 8000, Fax. +47 22 74 8341

**Pakistan:** see Singapore

**Philippines:** Philips Semiconductors Philippines Inc.,  
106 Valero St. Salcedo Village, P.O. Box 2108 MCC, MAKATI,  
Metro MANILA, Tel. +63 2 816 6380, Fax. +63 2 817 3474

**Poland:** Al.Jerozolimskie 195 B, 02-222 WARSAW,  
Tel. +48 22 5710 000, Fax. +48 22 5710 001

**Portugal:** see Spain

**Romania:** see Italy

**Russia:** Philips Russia, Ul. Usatcheva 35A, 119048 MOSCOW,  
Tel. +7 095 755 6918, Fax. +7 095 755 6919

**Singapore:** Lorong 1, Toa Payoh, SINGAPORE 319762,  
Tel. +65 350 2538, Fax. +65 251 6500

**Slovakia:** see Austria

**Slovenia:** see Italy

**South Africa:** S.A. PHILIPS Pty Ltd., 195-215 Main Road Martindale,  
2092 JOHANNESBURG, P.O. Box 58088 Newville 2114,  
Tel. +27 11 471 5401, Fax. +27 11 471 5398

**South America:** Al. Vicente Pinzon, 173, 6th floor,  
04547-130 SÃO PAULO, SP, Brazil,  
Tel. +55 11 821 2333, Fax. +55 11 821 2382

**Spain:** Balmes 22, 08007 BARCELONA,  
Tel. +34 93 301 6312, Fax. +34 93 301 4107

**Sweden:** Kottbygatan 7, Akalla, S-16485 STOCKHOLM,  
Tel. +46 8 5985 2000, Fax. +46 8 5985 2745

**Switzerland:** Allmendstrasse 140, CH-8027 ZÜRICH,  
Tel. +41 1 488 2741 Fax. +41 1 488 3263

**Taiwan:** Philips Semiconductors, 5F, No. 96, Chien Kuo N. Rd., Sec. 1,  
TAIPEI, Taiwan Tel. +886 2 2134 2451, Fax. +886 2 2134 2874

**Thailand:** PHILIPS ELECTRONICS (THAILAND) Ltd.,  
60/14 MOO 11, Bangna Trad Road KM. 3, Bagna, BANGKOK 10260,  
Tel. +66 2 361 7910, Fax. +66 2 398 3447

**Turkey:** Yukari Dudullu, Org. San. Blg., 2.Cad. Nr. 28 81260 Umraniye,  
ISTANBUL, Tel. +90 216 522 1500, Fax. +90 216 522 1813

**Ukraine:** PHILIPS UKRAINE, 4 Patrice Lumumba str., Building B, Floor 7,  
252042 KIEV, Tel. +380 44 264 2776, Fax. +380 44 268 0461

**United Kingdom:** Philips Semiconductors Ltd., 276 Bath Road, Hayes,  
MIDDLESEX UB3 5BX, Tel. +44 208 730 5000, Fax. +44 208 754 8421

**United States:** 811 East Arques Avenue, SUNNYVALE, CA 94088-3409,  
Tel. +1 800 234 7381, Fax. +1 800 943 0087

**Uruguay:** see South America

**Vietnam:** see Singapore

**Yugoslavia:** PHILIPS, Trg N. Pasica 5/v, 11000 BEOGRAD,  
Tel. +381 11 3341 299, Fax.+381 11 3342 553

**For all other countries apply to:** Philips Semiconductors,  
Marketing Communications, Building BE-p, P.O. Box 218, 5600 MD EINDHOVEN,  
The Netherlands, Fax. +31 40 27 24825

**Internet:** <http://www.semiconductors.philips.com>

© Philips Electronics N.V. 2000

SCA 70

All rights are reserved. Reproduction in whole or in part is prohibited without the prior written consent of the copyright owner.

The information presented in this document does not form part of any quotation or contract, is believed to be accurate and reliable and may be changed without notice. No liability will be accepted by the publisher for any consequence of its use. Publication thereof does not convey nor imply any license under patent- or other industrial or intellectual property rights.

Printed in The Netherlands

753504/03/pp36

Date of release: 2000 Nov 09

Document order number: 9397 750 07619

*Let's make things better.*

**Philips  
Semiconductors**



**PHILIPS**