



LA7160M

VHF Band RF Modulator

Overview

The LA7160M is an RF modulator which generates, from a baseband video and audio signal, PLL frequency synthesized RF TV channel signal in VHF band.

Features

- 5V operation.
- PLL synthesized RF VCO (US : 3ch, 4ch, JPN : 1ch, 2ch only), channel selection accomplished using a single pin.
- PLL synthesized and tankless audio FM.
- The 4 or 3.58MHz (color subcarrier) reference frequency for PLL can either be generated internally or input from an external source.
- Package : MFP16 (SOP16)

Functions

- RF VCO
- RF mixer
- RF buffer
- Video clamp
- White clip
- Audio FM
- 4V regulator
- Reference OSC

Specifications

Maximum Ratings at Ta=25°C

Parameter	Symbol	Conditions	Ratings	Unit
Maximum supply voltage	V _{CC} max		7	V
Allowable power dissipation	P _d max		250	mW
Operating temperature	T _{opr}		-20 to +75	°C
Storage temperature	T _{stg}		-55 to +150	°C

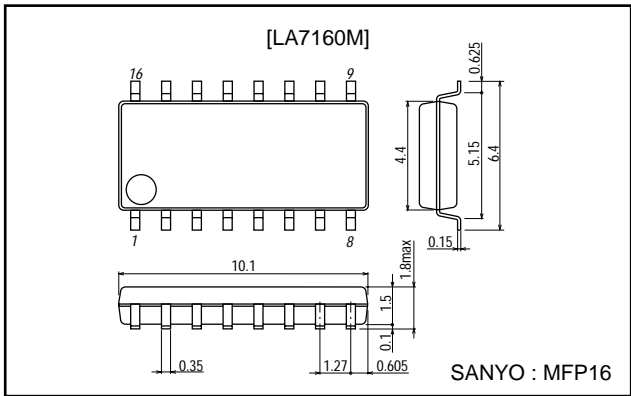
Operating Conditions at Ta=25°C

Parameter	Symbol	Conditions	Ratings	Unit
Recommended supply voltage	V _{CC}		5	V
Operating voltage range	V _{CC} op		4.5 to 5.5	V

Package Dimensions

unit: mm

3035A-MFP16 (SOP16)

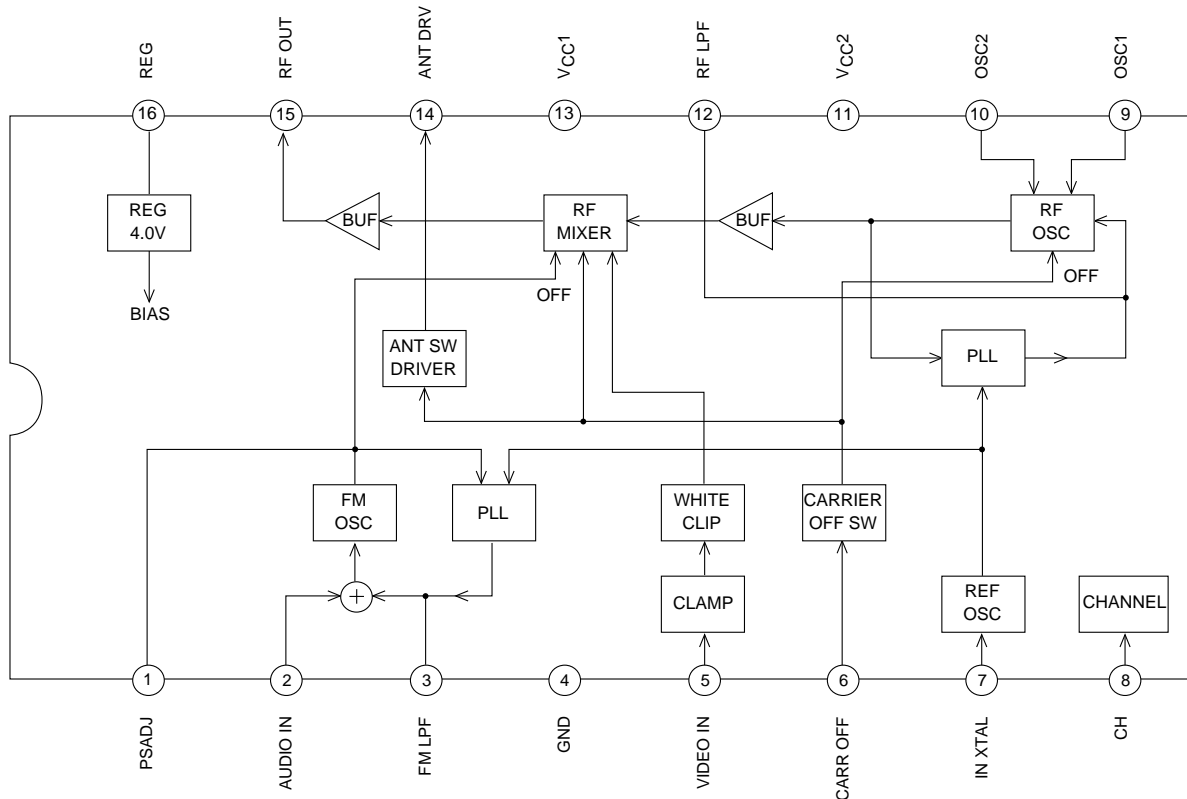


LA7160M

Operating Characteristics at Ta=25°C, VCC=5V

Parameter	Symbol	Conditions	Ratings			Unit
			min	typ	max	
Supply current 1	I _{CC1}	No signal, pin 6, high	20	28	36	mA
Supply current 2	I _{CC2}	No signal, pin 6, low	13	18	23	mA
ANT SW driver	ANT	Pin 6, high	3.2	3.5	3.8	V
RF output US	P _{US}	No signal	89	92	95	dBμ
RF output JP	P _{JP}	No signal	89	92	95	dBμ
P/S ratio	P/S	S : fp+4.5MHz	13.5	16	18.5	dB
4.5MHz 2nd harmonics	P/S2	S2 : fp+2×4.5MHz	50	65		dB
4.5MHz 3rd harmonics	P/S3	S3 : fp+3×4.5MHz	45	55		dB
920kHz beat	P/CB	V _{IN} =3.58MHz, 0.6Vp-p CB : fp+920kHz	65	72		dB
Video harmonics	P/V2	V _{IN} =1MHz, 1Vp-p V2 : fp+2MHz	45	65		dB
Video modulation	M _p	V _{IN} =Stair step, 1Vp-p	75	80	85	%
White clip level	WCL	V _{IN} =Stair step, 1.5Vp-p	88	93	98	%
Differential gain	DG	V _{IN} =Stair step, 1Vp-p	-5		+5	%
Differential phase	DP	V _{IN} =Stair step, 1Vp-p	-5		+5	Deg
Audio modulation	M _S	A _{IN} =1kHz, 1Vp-p	90	100	110	%
Maximum audio modulation	M _S max	THD<3%	400			%
Audio THD	THD	A _{IN} =1kHz, 1Vp-p		0.4	2	%
Audio S/N	S/N	A _{IN} =1kHz, 1Vp-p V _{IN} =Color bar, 1Vp-p	45	51		dB

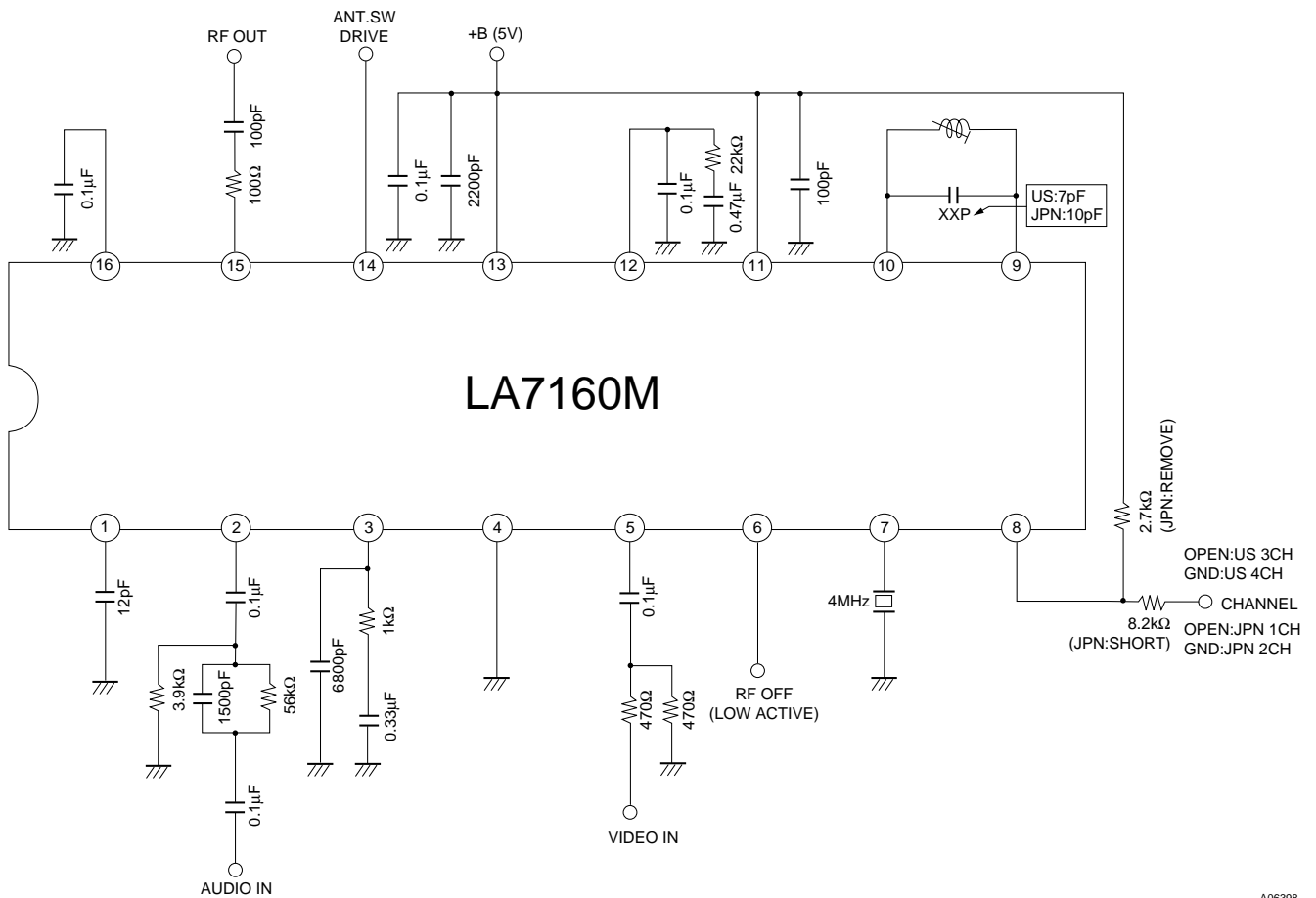
Equivalent Circuit Block Diagram



A06397

LA7160M

Test Circuit



A06398

■ No products described or contained herein are intended for use in surgical implants, life-support systems, aerospace equipment, nuclear power control systems, vehicles, disaster/crime-prevention equipment and the like, the failure of which may directly or indirectly cause injury, death or property loss.

■ Anyone purchasing any products described or contained herein for an above-mentioned use shall:

- ① Accept full responsibility and indemnify and defend SANYO ELECTRIC CO., LTD., its affiliates, subsidiaries and distributors and all their officers and employees, jointly and severally, against any and all claims and litigation and all damages, cost and expenses associated with such use:
- ② Not impose any responsibility for any fault or negligence which may be cited in any such claim or litigation on SANYO ELECTRIC CO., LTD., its affiliates, subsidiaries and distributors or any of their officers and employees jointly or severally.

■ Information (including circuit diagrams and circuit parameters) herein is for example only; it is not guaranteed for volume production. SANYO believes information herein is accurate and reliable, but no guarantees are made or implied regarding its use or any infringements of intellectual property rights or other rights of third parties.

This catalog provides information as of January, 1998. Specifications and information herein are subject to change without notice.