

ASSP

1 Channel 8-bit A/D Converter

MB40528

■ DESCRIPTION

The MB40528 is a full parallel comparison (flash) type 8-bit resolution analog-to-digital converter, designed for various video and image processing applications.

The MB40528 has 8-bit resolution 1 channel A/D converter. Input analog data are converted into digital data by the A/D converter in minimum 60 Mega samples per seconds (MSPS).

The analog data is provided in a range of DC +3V to +5V (2Vp-p level) and the output digital data in TTL level.

The MB40528 is fabricated by the Fujitsu's advanced bipolar process and housed in a 20-pin plastic DIP/SOP.

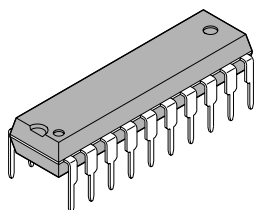
The MB40528 is suitable for various video and image applications.

■ FEATURES

- Conversion method : Full parallel comparison type
- 8-bit x 1 channel A/D converter
- Max. 60 MHz input clock frequency providing 60 MSPS data conversion rate
- Linearity error : Typical +/-0.15%
- Analog input voltage range : 3V to 5V (2Vp-p level)
- Digital input/output voltage level : TTL level
- On-chip reference voltage generator
- Low power consumption : Typical 400mW
- Single +5V power supply
- Operating temperature range : -20°C to +70°C
- Fujitsu's advanced bipolar process

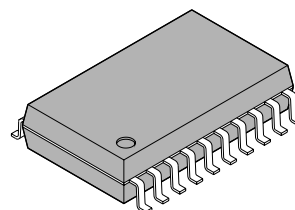
■ PACKAGES

20-pin Plastic DIP



(DIP-20P-M01)

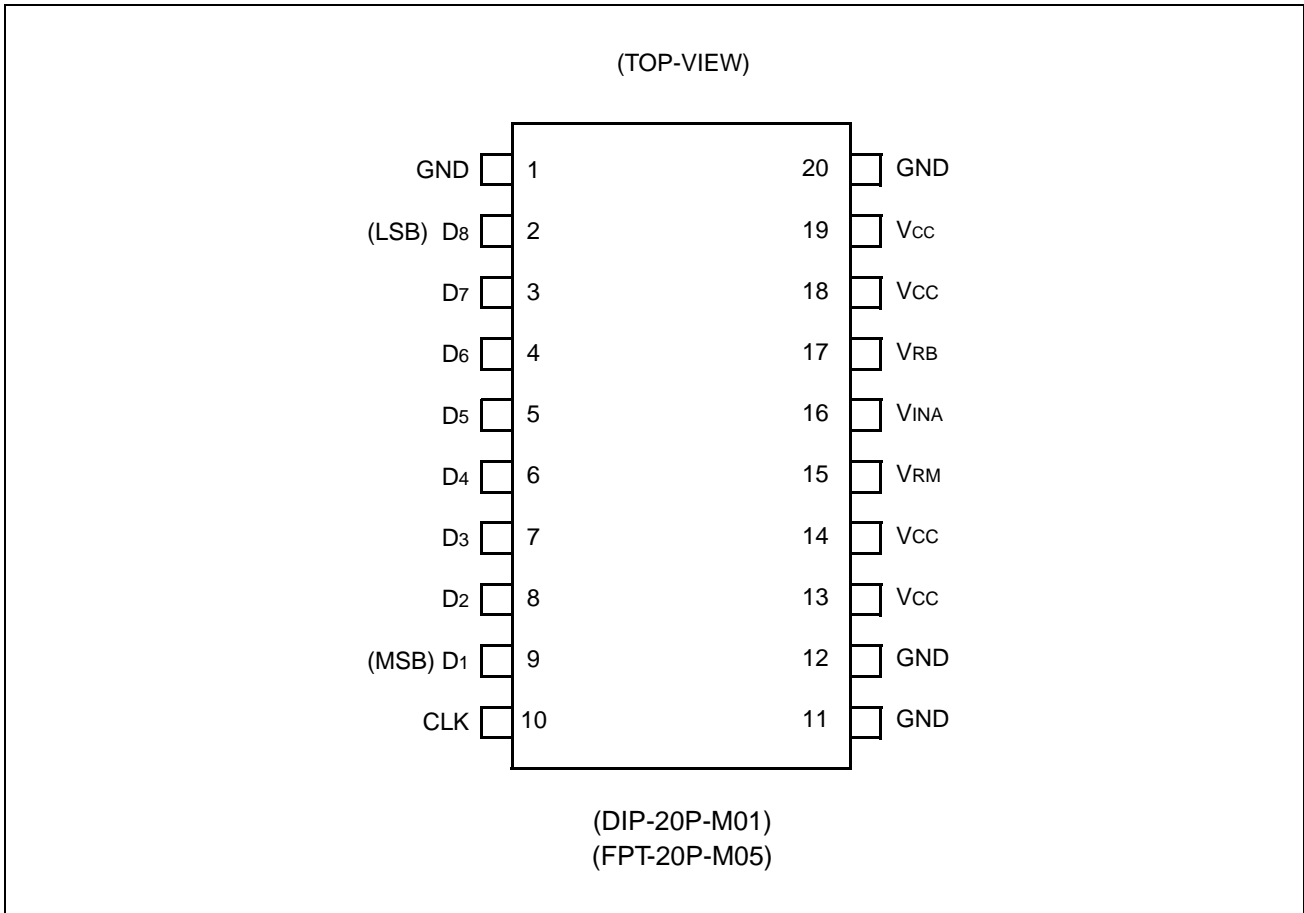
20-pin Plastic SOP



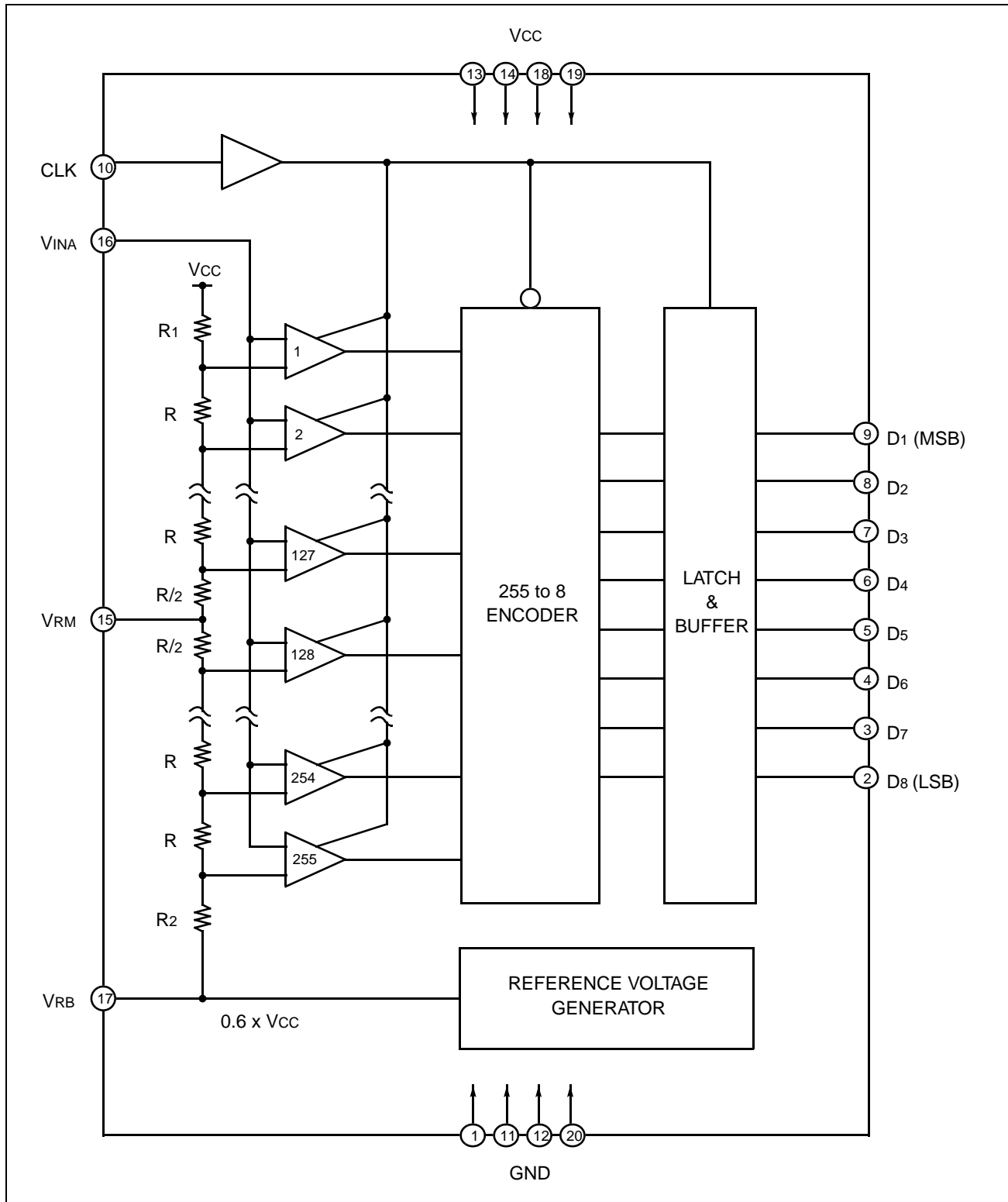
(FPT-20P-M05)

MB40528

■ PIN ASSIMENT



■ BLOCK DIAGRAM



MB40528

■ PIN DESCRIPTION

Symbol	Pin No.	Type	Name & Function
Power Supply			
VCC	13, 14, 18, 19	-	+5 V DC power supply pins.
GND	1, 11, 12, 20	-	Ground pins.
Clock			
CLK	10	I	Clock input pin. The input voltage is a TTL level.
Analog Input			
VINA	16	I	Analog signal input pin. The analog data to be converted is input to this pin. The input voltage range is 3V to 5V (VRB to VCC).
Digital Output			
D1	9	O	8-bit resolution A/D converter outputs. The output voltage is a TTL level. Also, D1 pin is an MSB and D8 pin is a LSB.
D2	8		
D3	7		
D4	6		
D5	5		
D6	4		
D7	3		
D8	2		
Reference Voltage Output			
VRB	17	O	Reference voltage output pin. This pin outputs $0.6 \times V_{CC}$ [V] (Typ. 3V). An $1\mu\text{F}$ or more capacitor having superior frequency characteristic should be connected to this pin. The capacitor must be connected near the device.
Others			
VRM	15	O	An intermediate voltage output pin. An intermediate voltage between VCC and VRB (Typ. 4V) is output from this pin. Normally this pin is left open.

■ ABSOLUTE MAXIMUM RATINGS

(GND = 0 V)

Parameter	Symbol	Condition	Rating		Unit
			Min.	Max.	
Supply Voltage	VCC	–	-0.5	+7.0	V
Analog Input Voltage	VINA	–	-0.5	VCC +0.5	V
Digital Input Voltage	VIND	–	-0.5	+7.0	V
Storage Temperature	Tstg	–	-55	+125	°C

WARNING: Semiconductor devices can be permanently damaged by application of stress (voltage, current, temperature, etc.) in excess of absolute maximum ratings. Do not exceed these ratings.

■ RECOMMENDED OPERATING CONDITIONS

(GND = 0 V)

Parameter	Symbol	Condition	Value			Unit
			Min.	Typ.	Max.	
Supply Voltage	VCC	–	4.75	5.00	5.25	V
Analog Input Voltage	VINA	–	VRB	–	VCC	V
Digital “H” Level Input Voltage	VIHD	–	2.0	–	–	V
Digital “L” Level Input Voltage	VILD	–	–	–	0.8	V
Digital “H” Level Output Current	IOH	–	-400	–	–	μA
Digital “L” Level Output Current	IOL	–	–	–	1.6	mA
Clock Frequency	fCLK	–	–	–	60	MHz
Minimum Clock “H” Level Pulse Width	twH	–	7.0	–	–	ns
Minimum Clock “L” Level Pulse Width	twL	–	8.0	–	–	ns
Operating Ambient Temperature	Ta	–	-20	–	70	°C

WARNING: The recommended operating conditions are required in order to ensure the normal operation of the semiconductor device. All of the device’s electrical characteristics are warranted when the device is operated within these ranges.

Always use semiconductor devices within their recommended operating condition ranges. Operation outside these ranges may adversely affect reliability and could result in device failure.

No warranty is made with respect to uses, operating conditions, or combinations not represented on the data sheet. Users considering application outside the listed conditions are advised to contact their FUJITSU representatives beforehand.

■ ELECTRICAL CHARACTERISTICS

1. DC CHARACTERISTICS

(1) Analog Block

Parameter	Symbol	Condition	Value			Unit
			Min.	Typ.	Max.	
Resolution	–	–	–	8	–	bit
Linearity Error	LE	DC Accuracy	–	±0.15	±0.3	%
Differential Linearity Error	DLE	DC Accuracy	–	0.12	–	%
Analog Input Equivalent Resister	RINA	–	0.2	1.5	–	MΩ
Analog Input Capacitance	CINA	–	–	40	–	pF
Analog “H” Level Input Current	I _{IHA}	V _{INA} = V _{CC}	–	–	210	μA
Analog “L” Level Input Current	I _{IILA}	V _{INA} = V _{REF}	–	–	200	μA
Reference Voltage	VRB	–	0.6V _{CC} -0.1	0.6V _{CC}	0.6V _{CC} +0.1	V
Supply Current	I _{CC}	–	–	80*	150	mA

* : V_{CC} = 5.0V, T_a = +25°C

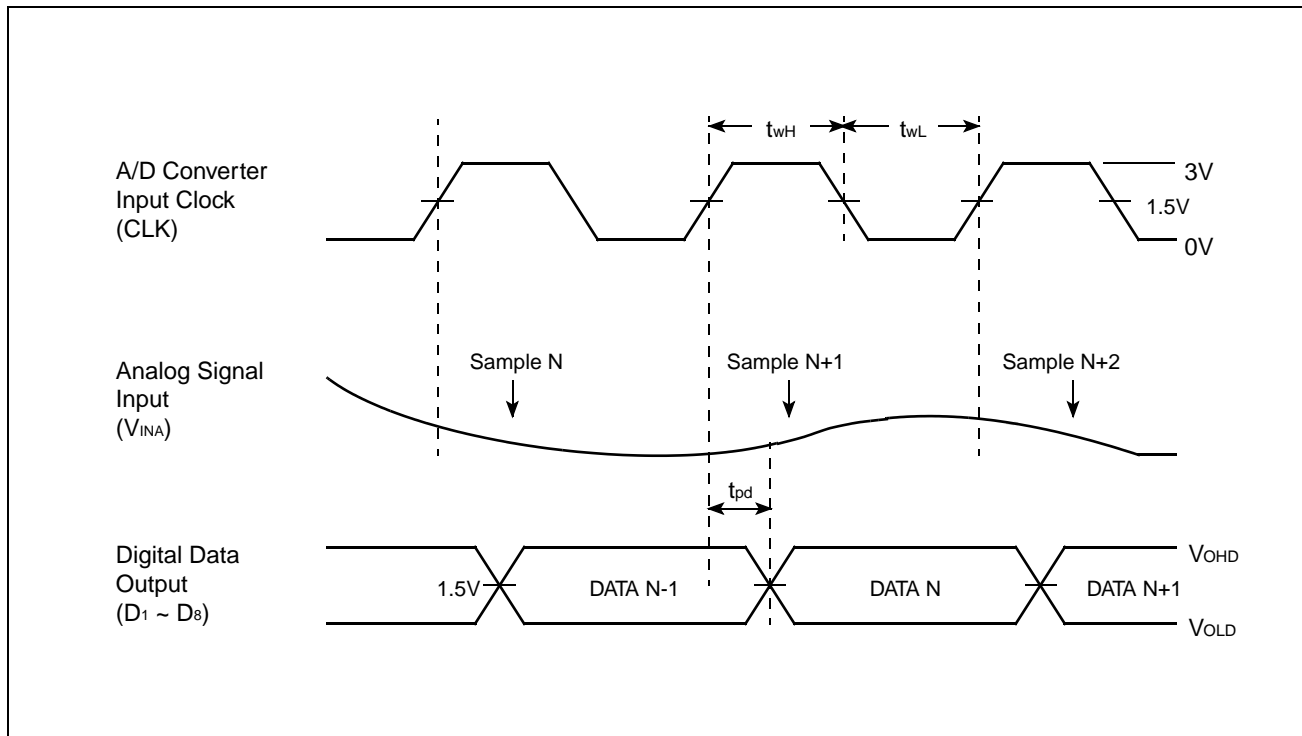
(2) Digital Block

Parameter	Symbol	Condition	Value			Unit
			Min.	Typ.	Max.	
Digital “H” Level Output Voltage	V _{OHD}	I _{OH} = -400μA	2.7	–	–	V
Digital “L” Level Output Voltage	V _{OLD}	I _{OL} = 1.6mA	–	–	0.4	V
Digital “H” Level Input Voltage	V _{IHD}	–	2.0	–	–	V
Digital “L” Level Input Voltage	V _{ILD}	–	–	–	0.8	V
Digital “H” Level Input Current	I _{IHD}	–	–	–	20	μA
Digital “L” Level Input Current	I _{IILD}	–	-100	–	–	μA

2. AC CHARACTERISTICS

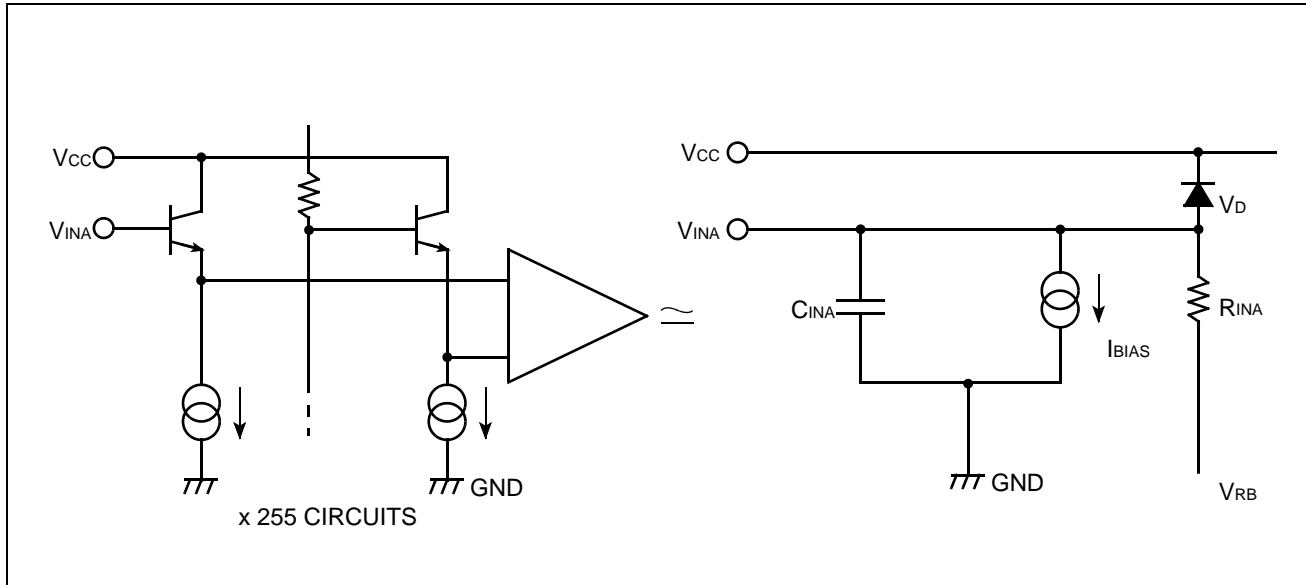
Parameter	Symbol	Condition	Value			Unit
			Min.	Typ.	Max.	
Maximum Conversion Rate	f _s	–	60	–	–	MSPS
Digital Output Delay Time	t _{pd}	–	5.0	8.5	15	ns

Figure 1. AC Timing Chart



■ EQUIVALENT CIRCUITS

Figure 2. Analog Input Equivalent Circuit



CINA: Non-linear Emitter-follower Junction Capacitance

RINA: Linear Resistance Model for Input Current Transition by Comparator Switching:
finite value for $V_{INA} < V_{RB}$ or when CLK = "H" level

VRB: Voltage at VRB pin (Not the VRB pin itself)

IBIAS: Constant Input Bias Current

VD: The base-collector junction diode of emitter-follower transistor.

Figure 3. Reference Voltage Circuit

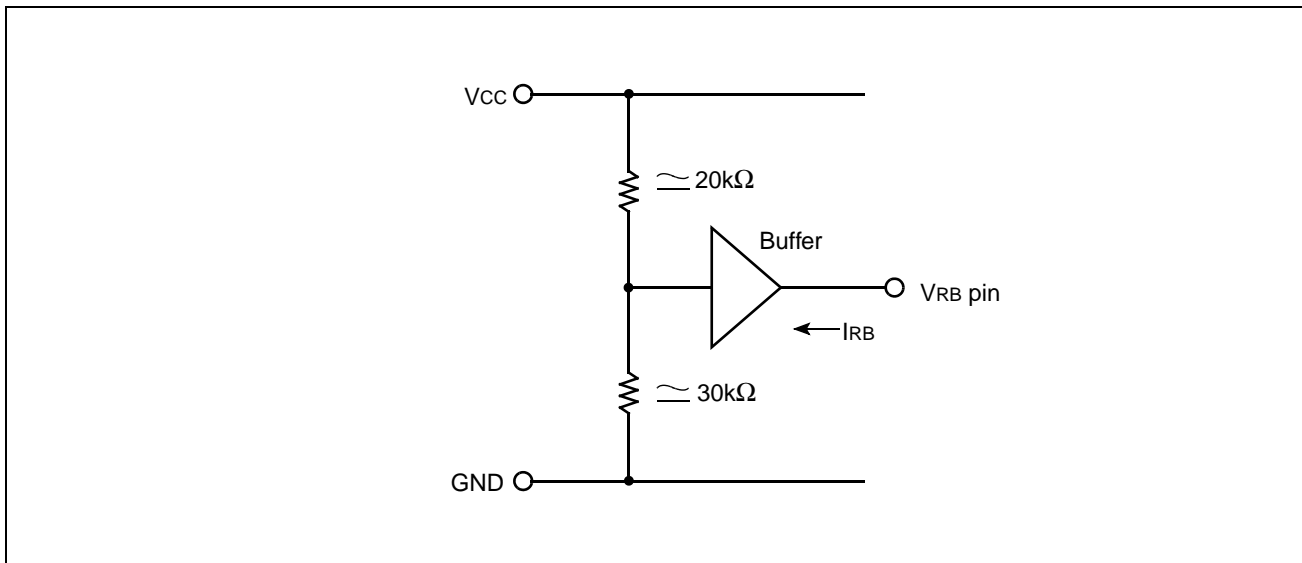


Figure 4. Digital Input Equivalent Circuit

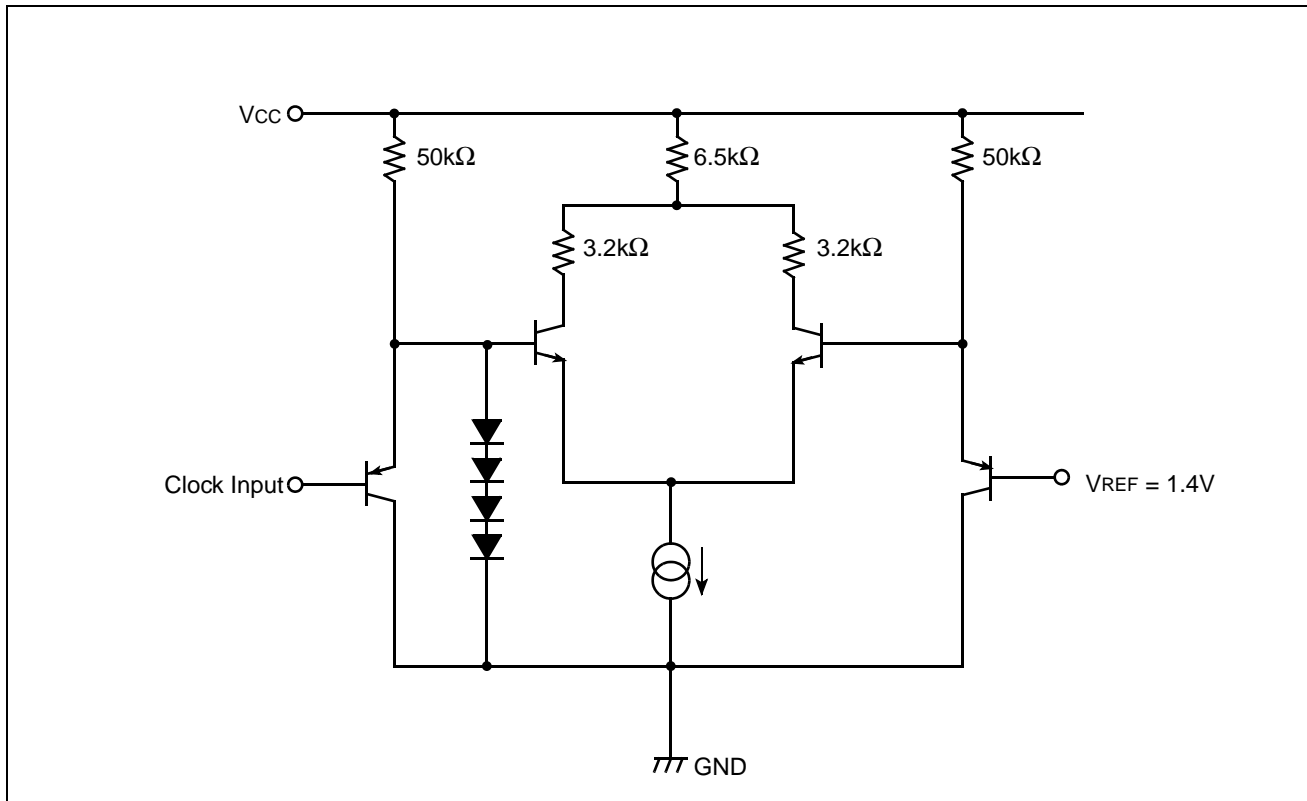
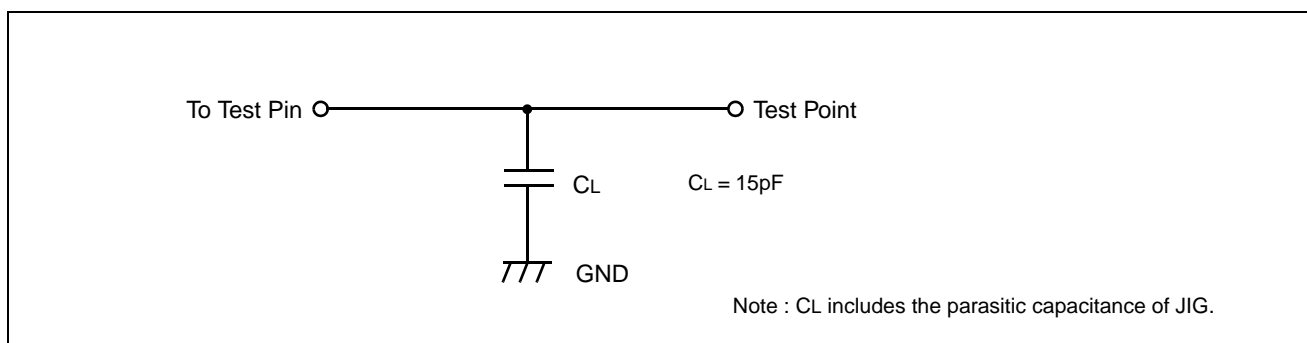
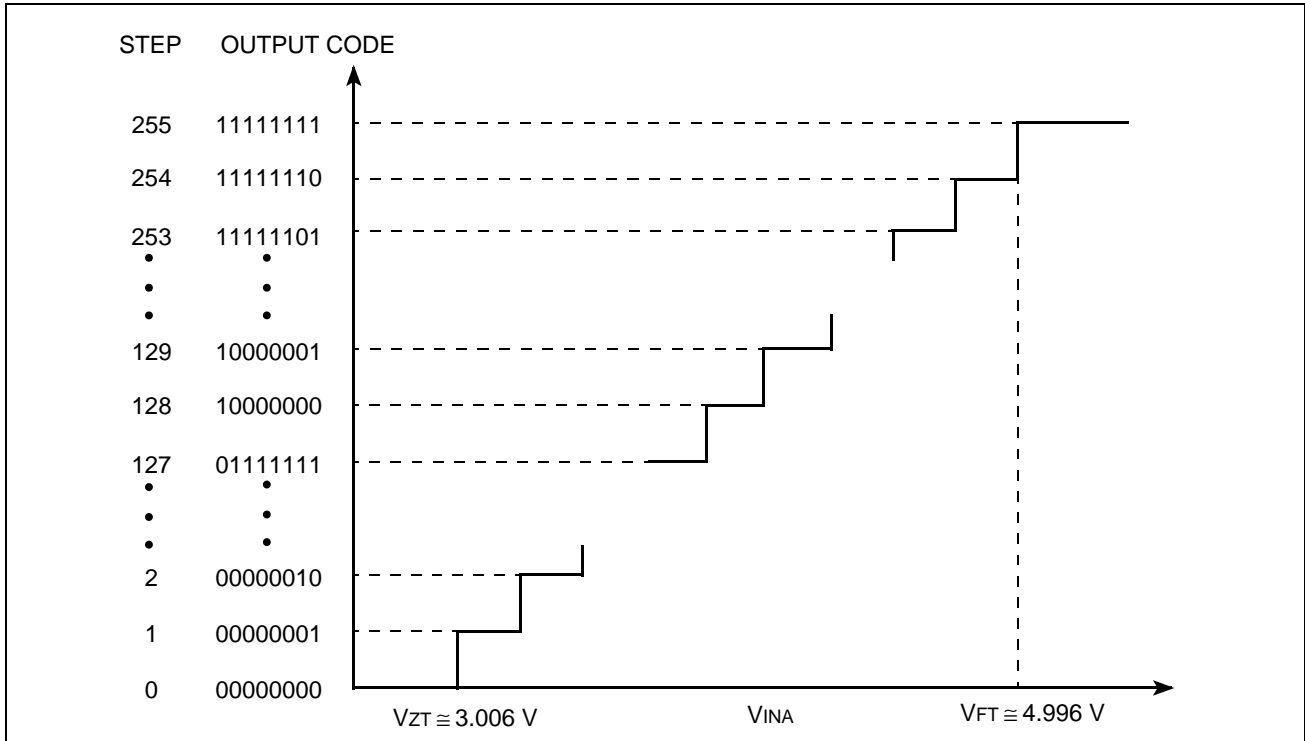


Figure 5. Output Buffer Load Circuit



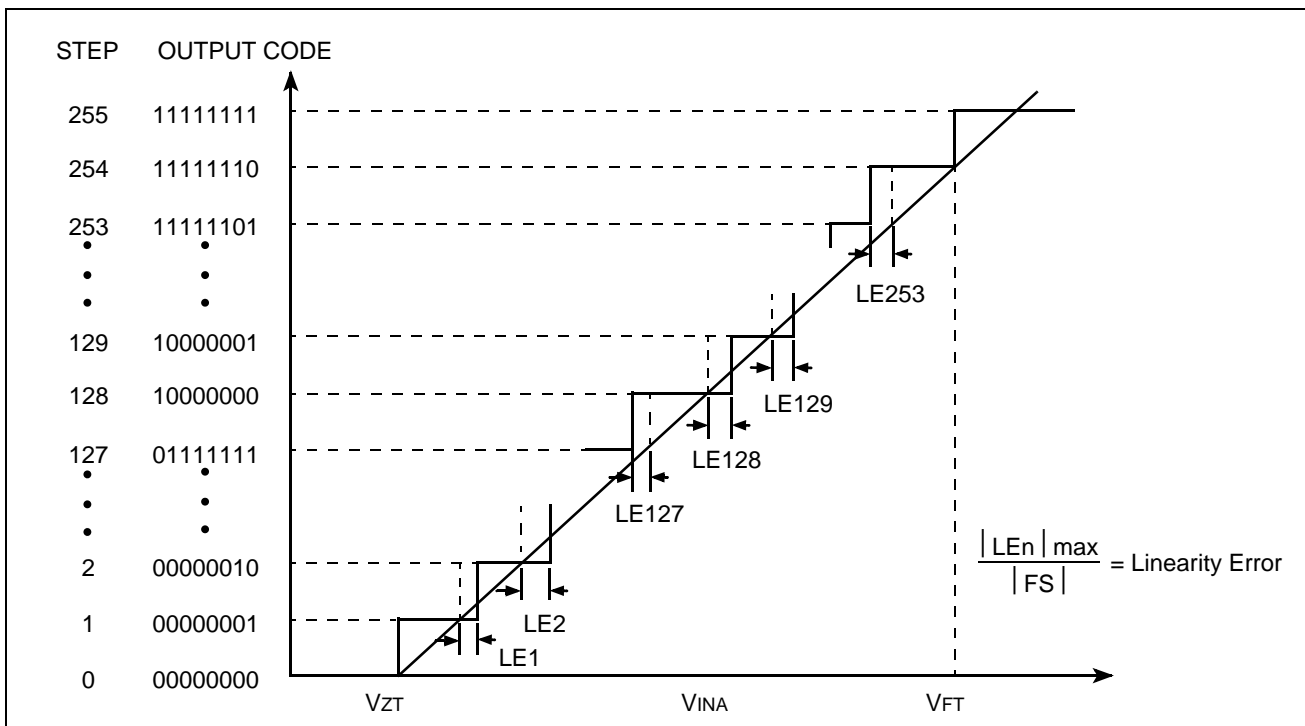
■ LINEARITY ERROR

1. Ideal Conversion Characteristic



V_{ZT} and V_{FT} are the typical values when $V_{CC} = 5\text{ V}$ and $V_{RB} = 3\text{ V}$.

2. Actual Conversion Characteristic



NOTE: Refer to “■ ELECTRICAL CHARACTERISTICS” for a range of V_{INA} inputs.

■ NOTES ON USE

1. Power Supply Patterns of the PCB

The power supply wire patterns (V_{CC} and GND patterns) of the PCB should be designed as wide as possible in order to reduce parasitic impedance.

Also, the V_{CC} and GND patterns which are connected to the V_{CC} and GND pins of the device must be handled and designed as analog system pattern and so, their circuit patterns must be separate from digital system patterns of other peripheral devices.

2. Switching Noise

In order to reduce switching noise as much as possible, high-frequency bypass capacitor must be connected between V_{CC} and GND pins and V_{RB} and GND pins.

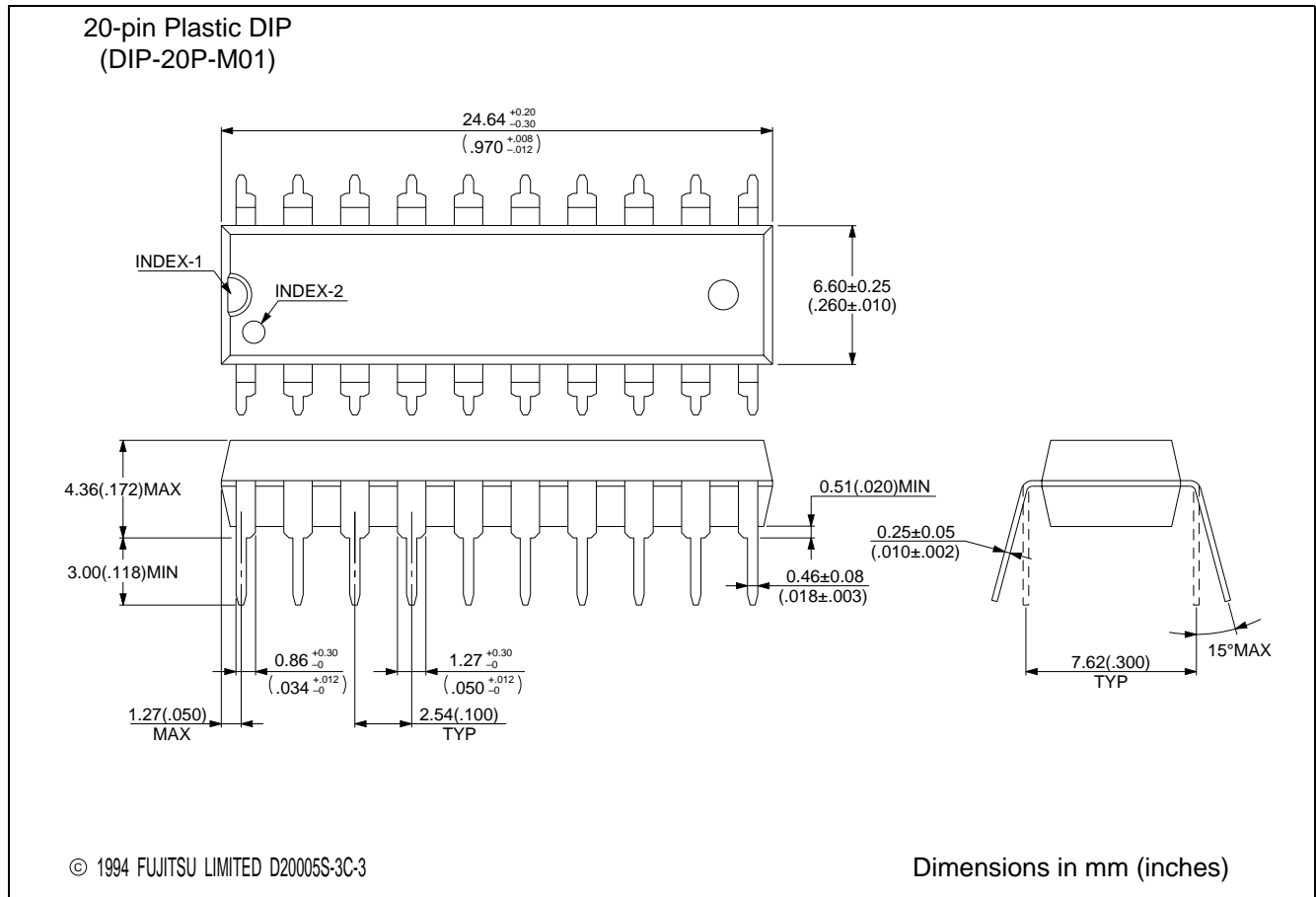
In this case, the capacitor should be connected to the pins as near as possible.

■ ORDERING INFORMATION

Part number	Package	Remarks
MB40528P	20-pin Plastic DIP (DIP-20P-M01)	
MB40528PF	20-pin Plastic SOP (FPT-20P-M05)	

MB40528

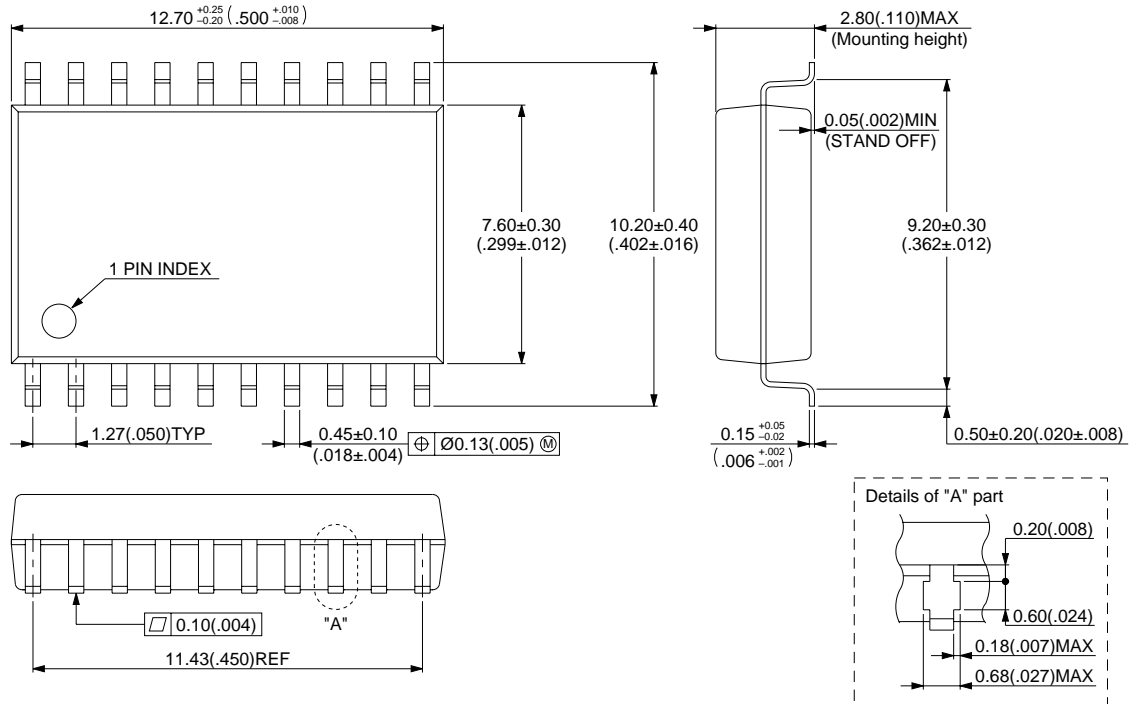
■ PACKAGE DIMENSIONS



(Continued)

(Continued)

20-pin Plastic SOP (FPT-20P-M05)



© 1994 FUJITSU LIMITED F20015S-3C-2

Dimensions in mm (inches)

FUJITSU LIMITED

For further information please contact:

Japan

FUJITSU LIMITED
Corporate Global Business Support Division
Electronic Devices
KAWASAKI PLANT, 4-1-1, Kamikodanaka,
Nakahara-ku, Kawasaki-shi,
Kanagawa 211-8588, Japan
Tel: +81-44-754-3763
Fax: +81-44-754-3329

<http://www.fujitsu.co.jp/>

North and South America

FUJITSU MICROELECTRONICS, INC.
3545 North First Street,
San Jose, CA 95134-1804, USA
Tel: +1-408-922-9000
Fax: +1-408-922-9179

Customer Response Center
Mon. - Fri.: 7 am - 5 pm (PST)
Tel: +1-800-866-8608
Fax: +1-408-922-9179

<http://www.fujitsumicro.com/>

Europe

FUJITSU MICROELECTRONICS EUROPE GmbH
Am Siebenstein 6-10,
D-63303 Dreieich-Buchsschlag,
Germany
Tel: +49-6103-690-0
Fax: +49-6103-690-122

<http://www.fujitsu-fme.com/>

Asia Pacific

FUJITSU MICROELECTRONICS ASIA PTE LTD
#05-08, 151 Lorong Chuan,
New Tech Park,
Singapore 556741
Tel: +65-281-0770
Fax: +65-281-0220

<http://www.fmap.com.sg/>

F0001

© FUJITSU LIMITED Printed in Japan

All Rights Reserved.

The contents of this document are subject to change without notice.

Customers are advised to consult with FUJITSU sales representatives before ordering.

The information and circuit diagrams in this document are presented as examples of semiconductor device applications, and are not intended to be incorporated in devices for actual use. Also, FUJITSU is unable to assume responsibility for infringement of any patent rights or other rights of third parties arising from the use of this information or circuit diagrams.

The contents of this document may not be reproduced or copied without the permission of FUJITSU LIMITED.

FUJITSU semiconductor devices are intended for use in standard applications (computers, office automation and other office equipments, industrial, communications, and measurement equipments, personal or household devices, etc.). CAUTION:

Customers considering the use of our products in special applications where failure or abnormal operation may directly affect human lives or cause physical injury or property damage, or where extremely high levels of reliability are demanded (such as aerospace systems, atomic energy controls, sea floor repeaters, vehicle operating controls, medical devices for life support, etc.) are requested to consult with FUJITSU sales representatives before such use. The company will not be responsible for damages arising from such use without prior approval.

Any semiconductor devices have inherently a certain rate of failure. You must protect against injury, damage or loss from such failures by incorporating safety design measures into your facility and equipment such as redundancy, fire protection, and prevention of over-current levels and other abnormal operating conditions.

If any products described in this document represent goods or technologies subject to certain restrictions on export under the Foreign Exchange and Foreign Trade Control Law of Japan, the prior authorization by Japanese government should be required for export of those products from Japan.