



## ICs for Communications

DSP Embedded Line and Port Interface Controller  
DELIC-LC

PEB 20570 Version 2.1

DELIC-PB

PEB 20571 Version 2.1

<b>PEB 20570</b>		
<b>PEB 20571</b>		
<b>Revision History:</b>		<b>Current Version: 2003-08</b>
Previous Version:		07.99
Page (in previous Version)	Page (in current Version)	Subjects (major changes since last revision)
		Trademarks changed

For questions on technology, delivery and prices please contact the Infineon Technologies Offices in Germany or the Infineon Technologies Companies and Representatives worldwide: see our webpage at <http://www.infineon.com>

ABM®, AOP®, ARCOFI®, ARCOFI®-BA, ARCOFI®-SP, DigiTape®, EPIC®-1, EPIC®-S, ELIC®, FALC®54, FALC®56, FALC®-E1, FALC®-LH, IDEC®, IOM®, IOM®-1, IOM®-2, IPAT®-2, ISAC®-P, ISAC®-S, ISAC®-S TE, ISAC®-P TE, ITAC®, IWE®, MUSAC®-A, OCTAT®-P, QUAT®-S, SICAT®, SICOFI®, SICOFI®-2, SICOFI®-4, SICOFI®-4µC, SLICOFI® are registered trademarks of Infineon Technologies AG.

ACE™, ASM™, ASP™, POTSWIRE™, QuadFALC™, SCOUT™ are trademarks of Infineon Technologies AG.

*Note: OCEM® and OakDSPCore® (OAK®) are registered trademarks of ParthusCeva, Inc..*

#### **Edition 2003-08**

**Published by Infineon Technologies AG,  
TR,  
Balanstraße 73,  
81541 München**

© Infineon Technologies AG 5/8/03.  
All Rights Reserved.

#### **Attention please!**

As far as patents or other rights of third parties are concerned, liability is only assumed for components, not for applications, processes and circuits implemented within components or assemblies.

The information describes the type of component and shall not be considered as assured characteristics.

Terms of delivery and rights to change design reserved.

Due to technical requirements components may contain dangerous substances. For information on the types in question please contact your nearest Infineon Technologies Office.

Infineon Technologies AG is an approved CECC manufacturer.

#### **Packing**

Please use the recycling operators known to you. We can also help you – get in touch with your nearest sales office. By agreement we will take packing material back, if it is sorted. You must bear the costs of transport.

For packing material that is returned to us unsorted or which we are not obliged to accept, we shall have to invoice you for any costs incurred.

#### **Components used in life-support devices or systems must be expressly authorized for such purpose!**

Critical components<sup>1</sup> of the Infineon Technologies AG, may only be used in life-support devices or systems<sup>2</sup> with the express written approval of the Infineon Technologies AG.

- 1 A critical component is a component used in a life-support device or system whose failure can reasonably be expected to cause the failure of that life-support device or system, or to affect its safety or effectiveness of that device or system.
- 2 Life support devices or systems are intended (a) to be implanted in the human body, or (b) to support and/or maintain and sustain human life. If they fail, it is reasonable to assume that the health of the user may be endangered.

## Preface

This document provides reference information on the DELIC-PB and -LC version 2.1.

### Organization of this Document

This Preliminary Data Sheet is divided into 11 chapters and appendices. It is organized as follows:

- Chapter 1, Introduction  
Gives a general description of the product and its family, lists the key features, and presents some typical applications.
- Chapter 2, Pin Description  
Lists pin locations with associated signals, categorizes signals according to function, and describes signals.
- Chapter 3, Interface Description  
Describes the DELIC external interfaces.
- Chapter 4, Functional IC Description  
Describes the features of the main functional blocks.
- Chapter 5, Memory Structure
- Chapter 6, Register Descriptions  
Contains the detailed register description.
- Chapter 7, Package Outlines
- Chapter 8, Electrical Characteristics  
Contains the DC specification.
- Chapter 9, Timing Diagrams  
Contains the AC specification (as far as available).
- Chapter 10, Application Hints
- Chapter 11, Mailbox Protocol Description  
Describes the communication protocol to an external  $\mu\text{P}$ .

**Your Comments**

We welcome your comments on this document as we are continuously aiming at improving our documentation. Please send your remarks and suggestions by e-mail to [sc.docu\\_comments@infineon.com](mailto:sc.docu_comments@infineon.com)

Please provide in the subject of your e-mail:

device name (DELIC-LC/ -PB), device number (PEB 20570/ PEB 20571), device version (Version 2.1), or and in the body of your e-mail:

document type (Preliminary Data Sheet), issue date (2003-08) and document revision number (DS 1.1).

<b>Table of Contents</b>		<b>Page</b>
<b>1</b>	<b>Introduction</b> .....	1-1
1.1	Logic Symbol .....	1-6
1.2	Typical Applications .....	1-7
<b>2</b>	<b>Pin Descriptions</b> .....	2-1
2.1	Pin Diagram DELIC-LC .....	2-1
2.2	Pin Diagram DELIC-PB .....	2-2
2.3	Pin Definitions and Functions for DELIC-LC .....	2-3
2.4	Pin Definitions and Functions for DELIC-PB .....	2-15
2.5	Strap Pin Definitions .....	2-28
<b>3</b>	<b>Interface Description</b> .....	3-1
3.1	Overview of Interfaces .....	3-1
3.2	IOM-2000 Interface .....	3-2
3.2.1	Overview .....	3-2
3.2.2	IOM-2000 Frame Structure .....	3-3
3.2.2.1	Data Interface .....	3-3
3.2.2.2	Command and Status Interface .....	3-6
3.2.3	UPN State Machine .....	3-9
3.2.3.1	INFO Structure on the U <sub>PN</sub> Interface .....	3-9
3.2.3.2	UPN Mode State Diagram .....	3-10
3.2.4	S/T State Machine .....	3-14
3.2.4.1	LT-S Mode .....	3-14
3.2.4.2	LT-T Mode .....	3-18
3.3	IOM®-2 Interface .....	3-23
3.3.1	Signals / Channels .....	3-23
3.4	μP Interface .....	3-24
3.4.1	Intel/Siemens or Motorola Mode .....	3-24
3.4.2	De-multiplexed or Multiplexed Mode .....	3-24
3.4.3	DMA or Non-DMA Mode .....	3-25
3.4.4	DELIC External Interrupts .....	3-26
3.5	JTAG Test Interface .....	3-27
3.5.1	Boundary Scan Test .....	3-27
3.5.2	TAP Controller .....	3-27
<b>4</b>	<b>Functional Description</b> .....	4-1
4.1	Functional Overview and Block Diagram .....	4-2
4.2	IOM-2000 Transceiver Unit .....	4-3
4.2.1	TRANSIU Overview of Features .....	4-3
4.2.2	TRANSIU Initialization .....	4-3
4.2.3	Initialization of VIP .....	4-4
4.2.4	S/T Mode Control and Framing Bits on IOM-2000 .....	4-4
4.2.4.1	Framing Bit (F-Bit) .....	4-4
4.2.4.2	Multiframing Bits .....	4-4

<b>Table of Contents</b>		<b>Page</b>
4.2.4.3	Fa/N Bit .....	4-5
4.2.4.4	DC-Balancing Bit (L-Bit) .....	4-5
4.2.5	UPN Mode Control and Framing Bits on IOM-2000 .....	4-6
4.2.5.1	Framing Bit (LF-Bit) .....	4-6
4.2.5.2	Multiframeing Bit (M-Bit) .....	4-6
4.2.5.3	DC-Balancing Bit .....	4-7
4.2.6	IOM-2000 Command and Status Interface .....	4-7
4.2.7	IOM-2000 Data Interface .....	4-11
4.2.7.1	UPN Mode .....	4-11
4.2.7.2	UPN Scrambler/Descrambler .....	4-11
4.2.7.3	S/T Mode .....	4-12
4.3	IOM-2 Unit .....	4-14
4.3.1	IOMU Overview of Features .....	4-14
4.3.2	IOMU Functional and Operational Description .....	4-15
4.3.2.1	Frame-Wise Buffer Swapping .....	4-15
4.3.2.2	I-buffer Logical Structure .....	4-15
4.3.2.3	DSP Access to the D-Buffer .....	4-16
4.3.2.4	IOM-2 Interface Data Rate Modes .....	4-16
4.3.2.5	IOMU Serial Data Processing .....	4-18
4.3.2.6	IOMU Parallel Data Processing .....	4-18
4.3.2.7	IOM-2 Push-Pull and Open-Drain Modes .....	4-19
4.3.2.8	Support of DRDY Signal from QUAT-S .....	4-20
4.4	PCM Unit .....	4-21
4.4.1	PCMU Functional and Operational Description .....	4-22
4.4.1.1	Frame-Wise Buffer Swapping .....	4-22
4.4.1.2	DSP Inaccessible Buffer (I-buffer) .....	4-22
4.4.1.3	DSP Accessible Buffer (D-Buffer) .....	4-23
4.4.1.4	PCMU Interface Data Rate Modes .....	4-24
4.4.1.5	PCMU Serial Data Processing .....	4-25
4.4.1.6	PCMU Parallel Data Processing .....	4-25
4.4.1.7	PCMU Tri-state Control Logic .....	4-26
4.5	A-law/ $\mu$ -law Conversion Unit .....	4-29
4.6	HDLC Unit .....	4-30
4.6.1	HDLCU Unit Overview .....	4-30
4.6.2	DSP Operation of the HDLCU .....	4-31
4.6.2.1	Initialization of the HDLCU .....	4-31
4.6.2.2	Transmitting a Message .....	4-31
4.6.2.3	Ending a Transmission .....	4-32
4.6.2.4	Aborting a Transmission .....	4-32
4.6.2.5	DSP Access to the HDLCU Buffers .....	4-32
4.7	GHDLC Unit .....	4-34
4.7.1	GHDLC Overview .....	4-34

<b>Table of Contents</b>	<b>Page</b>
4.7.2	GHDLC Channel External Configurations . . . . . 4-34
4.7.3	GHDLC General Modes . . . . . 4-34
4.7.4	GHDLC Protocol Features . . . . . 4-35
4.7.5	External Configuration and Handshaking in Bus Mode . . . . . 4-35
4.7.5.1	External Tri-State in Point-to-Multi-Point Mode . . . . . 4-35
4.7.5.2	Arbitration of GHDLCs on a Collision Bus . . . . . 4-36
4.7.6	GHDLC Memory Allocation . . . . . 4-36
4.7.7	GHDLC Interrupts . . . . . 4-37
4.8	DSP Control Unit . . . . . 4-38
4.8.1	General . . . . . 4-38
4.8.2	DSP Address Decoding . . . . . 4-38
4.8.3	Interrupt Handling . . . . . 4-38
4.8.4	DSP Run Time Statistics . . . . . 4-39
4.8.5	Data Bus and Program Bus Arbitration . . . . . 4-40
4.8.6	Boot Support . . . . . 4-40
4.8.7	Reset Execution and Boot Strap Pin Setting . . . . . 4-41
4.9	General Mailbox . . . . . 4-42
4.9.1	Overview . . . . . 4-42
4.9.2	μP Mailbox . . . . . 4-42
4.9.3	OAK Mailbox . . . . . 4-43
4.10	DMA Mailbox . . . . . 4-45
4.10.1	Overview . . . . . 4-45
4.10.2	Intel/Siemens Mode and Motorola Mode (Memory-to-Memory) . . . . . 4-45
4.10.3	Fly-By Mode . . . . . 4-45
4.10.4	PEC Mode . . . . . 4-46
4.10.5	Transmit Mailbox . . . . . 4-46
4.10.6	Receive Mailbox . . . . . 4-47
4.10.7	Access to the DMA FIFOs . . . . . 4-48
4.11	DSP Core OAK+ . . . . . 4-49
4.12	Clock Generator . . . . . 4-50
4.12.1	Overview . . . . . 4-50
4.12.2	DSP Clock Selection . . . . . 4-52
4.12.3	PCM Master/Slave Mode Clocks Selection . . . . . 4-52
4.12.4	DELIC Clock System Synchronization . . . . . 4-52
4.12.5	IOM-2 Clock Selection . . . . . 4-52
4.12.6	IOM-2000 Clock Selection . . . . . 4-53
4.12.7	REFCLK Configuration . . . . . 4-53
4.12.8	GHDLC Clock Selection . . . . . 4-53
<b>5</b>	<b>DELIC Memory Structure . . . . . 5-1</b>
5.1	DSP Address Space . . . . . 5-1
5.1.1	DSP Register Address Space . . . . . 5-1
5.1.2	DSP Program Address Space . . . . . 5-1

<b>Table of Contents</b>		<b>Page</b>
5.1.3	DSP Data Address Space .....	5-2
5.2	$\mu$ P Address Space .....	5-3
<b>6</b>	<b>Register Description</b> .....	<b>6-1</b>
6.1	Register Map .....	6-1
6.2	Detailed Register Description .....	6-10
6.2.1	TRANSIU Register Description .....	6-10
6.2.1.1	TRANSIU IOM-2000 Configuration Register .....	6-10
6.2.1.2	TRANSIU Channel Configuration Registers .....	6-11
6.2.1.3	VIP Command Registers (VIPCMR0, VIPCMR1, VIPCMR2) .....	6-12
6.2.1.4	VIP Status Registers .....	6-14
6.2.1.5	TRANSIU Initialization Channel Command Register .....	6-15
6.2.1.6	TRANSIU Initialization Channel Status Register (TICSTR) .....	6-20
6.2.1.7	Scrambler Mode Register .....	6-21
6.2.1.8	Scrambler Status Register .....	6-21
6.2.2	IOMU Register Description .....	6-22
6.2.2.1	IOMU Control Register .....	6-22
6.2.2.2	IOMU Status Register .....	6-23
6.2.2.3	IOMU Tri-State Control Register .....	6-24
6.2.2.4	IOMU DRDY Register .....	6-25
6.2.2.5	IOMU Data Prefix Register .....	6-26
6.2.3	PCMU Register Description .....	6-27
6.2.3.1	PCMU Command Register .....	6-27
6.2.3.2	PCMU Status Register .....	6-28
6.2.3.3	PCMU Tri-state Control Registers .....	6-29
6.2.3.4	PCMU Data Prefix Register .....	6-30
6.2.4	A/ $\mu$ -law Unit Register Description .....	6-31
6.2.4.1	A/ $\mu$ -law Unit Control Register .....	6-31
6.2.4.2	A/ $\mu$ -law Input Register .....	6-31
6.2.4.3	A/ $\mu$ -law Output Register .....	6-32
6.2.5	HDLCU Registers Description .....	6-33
6.2.5.1	HDLCU Control Register .....	6-33
6.2.5.2	HDLCU Status Register .....	6-34
6.2.5.3	Channel Command Vector .....	6-35
6.2.5.4	Channel Status Vector .....	6-36
6.2.6	GHDLC Register Description .....	6-38
6.2.6.1	GHDLC Test/ Normal Mode Register .....	6-38
6.2.6.2	GHDLC Channel Mode Register .....	6-38
6.2.6.3	GHDLC Interrupt Register .....	6-39
6.2.6.4	GHDLC FSC Interrupt Control Register .....	6-39
6.2.6.5	GHDLC Receive Channel Status Registers 0..3 .....	6-40
6.2.6.6	GHDLC Receive Data and Status .....	6-41
6.2.6.7	GHDLC Mode Registers .....	6-42



<b>Table of Contents</b>	<b>Page</b>
6.2.6.8	GHDLK Channel Transmit Command Registers . . . . . 6-43
6.2.6.9	ASYNC Control Register . . . . . 6-44
6.2.6.10	LCLK0 Control Register . . . . . 6-45
6.2.6.11	LCLK1 Control Register . . . . . 6-46
6.2.6.12	LCLK2 Control Register . . . . . 6-47
6.2.6.13	LCLK3 Control Register . . . . . 6-48
6.2.6.14	Muxes Control Register . . . . . 6-49
6.2.7	DCU Register Description . . . . . 6-50
6.2.7.1	Interrupt Mask Register . . . . . 6-50
6.2.7.2	Status Event Register . . . . . 6-50
6.2.7.3	Statistics Counter Register . . . . . 6-51
6.2.7.4	Statistics Register . . . . . 6-52
6.2.8	μP Configuration Registers . . . . . 6-52
6.2.8.1	μP Interface Configuration Register . . . . . 6-52
6.2.8.2	Device Version Register . . . . . 6-54
6.2.8.3	Interrupt Vector Register . . . . . 6-54
6.2.9	μP Mailbox Registers Description . . . . . 6-55
6.2.9.1	μP Command Register . . . . . 6-55
6.2.9.2	μP Mailbox Busy Register . . . . . 6-55
6.2.9.3	μP Mailbox Generic Data Register . . . . . 6-56
6.2.9.4	μP Mailbox (General and DMA Mailbox) Data Registers . . . . . 6-57
6.2.9.5	DSP Command Register . . . . . 6-57
6.2.9.6	DSP Mailbox Busy Register . . . . . 6-58
6.2.9.7	DSP Mailbox Generic Data Register . . . . . 6-59
6.2.9.8	DSP Mailbox (General and DMA Mailbox) Data Registers . . . . . 6-59
6.2.10	DMA Mailbox Registers Description . . . . . 6-60
6.2.10.1	DMA Mailbox Transmit Counter Register . . . . . 6-60
6.2.10.2	DMA Mailbox Receive Counter Register . . . . . 6-60
6.2.10.3	DMA Mailbox Interrupt Status Register . . . . . 6-61
6.2.11	Clock Generator Register Description . . . . . 6-62
6.2.11.1	PDC Control Register . . . . . 6-62
6.2.11.2	PFS Control Register . . . . . 6-62
6.2.11.3	CLKOUT Control Register . . . . . 6-63
6.2.11.4	DCXO Reference Clock Select Register . . . . . 6-64
6.2.11.5	REFCLK Control Register . . . . . 6-65
6.2.11.6	DCL_2000 Control Register . . . . . 6-66
6.2.11.7	DCL Control Register . . . . . 6-66
6.2.11.8	FSC Control Register . . . . . 6-67
6.2.11.9	L1_CLK Control Register . . . . . 6-68
6.2.11.10	PFS Sync Register . . . . . 6-69
6.2.11.11	Realtime Counter Register . . . . . 6-69
6.2.11.12	Strap Status Register . . . . . 6-70

<b>Table of Contents</b>	<b>Page</b>
<b>7</b> <b>Package Outlines</b> .....	7-1
<b>8</b> <b>Electrical Characteristics</b> .....	8-1
8.1      Absolute Maximum Ratings .....	8-1
8.2      Operating Range .....	8-1
8.3      DC Characteristics .....	8-2
8.4      Capacitances .....	8-3
8.5      Recommended 16.384 MHz Crystal Parameters .....	8-3
<b>9</b> <b>Timing Diagrams</b> .....	9-1
9.1      General .....	9-1
9.2 $\mu$ P Access Timing .....	9-1
9.2.1 $\mu$ P Access Timing in Motorola mode .....	9-1
9.2.2 $\mu$ P Access Timing in Intel/Infineon Mode .....	9-3
9.3      Interrupt Acknowledge Cycle Timing .....	9-7
9.4      DMA Access Timing .....	9-9
9.4.1      DMA Access Timing In Motorola Mode .....	9-9
9.4.2      DMA Access Timing in Intel/Infineon Mode .....	9-12
9.5      IOM <sup>®</sup> -2 Interface Timing .....	9-15
<b>10</b> <b>Application Hints</b> .....	10-1
10.1     DELIC Connection to External Microprocessors .....	10-1
10.2     DELIC Worksheets .....	10-3
<b>11</b> <b>Mailbox Protocol Description</b> .....	11-1
11.1     Mailbox Access .....	11-1
11.1.1     Mailbox Access Transmit Direction ( $\mu$ P->DELIC) .....	11-1
11.1.2     Mailbox Access Receive Direction (DELIC-> $\mu$ P) .....	11-1
11.2     Subscriber Address (SAD) Interpretation .....	11-4
11.2.1     SAD as IOM-2 Port and Channel Number .....	11-4
11.2.2     SAD as IOM-2000 VIP and Channel Number .....	11-5
11.3     Overview of Commands and Indications .....	11-5
11.3.1     Commands and Indications for Boot Sequence .....	11-5
11.3.2     General Commands and Indications .....	11-6
11.3.3     Commands and Indications for Configuration .....	11-7
11.3.4     Commands and Indications for IOM-2 C/I Channels .....	11-8
11.3.5     Commands and Indications for IOM-2 Monitor Channel .....	11-8
11.3.6     Commands and Indications for IOM-2000 C/I Channels .....	11-9
11.3.7     Commands and Indications for HDLC Channel .....	11-10
11.3.8     Commands and Indications for GHDL Channel .....	11-10
11.3.9     Switching .....	11-11
11.4     Boot Procedure .....	11-11
11.4.1     Boot Commands .....	11-13
11.4.1.1     Start Boot Command (0x55) .....	11-13

<b>Table of Contents</b>	<b>Page</b>
11.4.1.2      Finish Boot Command (0x1F) . . . . .	11-13
11.4.1.3      Write Program Memory Command (0xAn) . . . . .	11-13
11.4.1.4      Write Data Memory Command (0xEn) . . . . .	11-14
11.4.2        Boot Indications . . . . .	11-15
11.4.2.1      Error Indication (0b011100XX) . . . . .	11-15
11.4.2.2      Start Loading Program RAM Indication (0x1F) . . . . .	11-15
11.4.2.3      Start Loading Data RAM Indication (0xEF) . . . . .	11-15
11.4.2.4      Firmware Version Indication (0x00) . . . . .	11-15
11.5        General Commands and Indications . . . . .	11-16
11.5.1        General Commands . . . . .	11-16
11.5.1.1      Write Register Command (0x01) . . . . .	11-16
11.5.1.2      Read Register Command (0x02) . . . . .	11-17
11.5.2        General Indication . . . . .	11-18
11.5.2.1      Read Register Indication (0x01) . . . . .	11-18
11.6        Initialization/Configuration . . . . .	11-19
11.6.1        Configuration Commands . . . . .	11-20
11.6.1.1      IOM-2000 Reference Channel Select Command (0x05) . . . . .	11-20
11.6.1.2      IOM-2000 Delay Measurement Command (0x04) . . . . .	11-21
11.6.1.3      IOM-2000 VIP Channel Configuration Command (0x03) . . . . .	11-22
11.6.1.4      GHDLC Configuration Command (0x14) . . . . .	11-22
11.6.1.5      Finish Initialization Command (0x06) . . . . .	11-24
11.6.2        Configuration Indications . . . . .	11-24
11.6.2.1      IOM-2000 Far-end Code Violation Indication (0x07) . . . . .	11-24
11.6.2.2      IOM-2000 Delay Indication (0x04) . . . . .	11-25
11.6.2.3      Finish VIP Channel Configuration Indication (0x02) . . . . .	11-26
11.7        IOM-2 C/I Handling . . . . .	11-26
11.7.1        IOM-2 C/I Command . . . . .	11-27
11.7.1.1      Write C/I Value Command (0x23) . . . . .	11-27
11.7.2        IOM-2 C/I Indication . . . . .	11-27
11.7.2.1      Change Detected Indication (0x41) . . . . .	11-27
11.7.3        Common Mailbox Parameter Structure . . . . .	11-27
11.7.4        Flow Diagram . . . . .	11-28
11.8        IOM-2 Monitor Handling . . . . .	11-29
11.8.1        IOM-2 Monitor Commands . . . . .	11-29
11.8.1.1      Search On Command (0x2B) . . . . .	11-29
11.8.1.2      Search Reset Command (0x2C) . . . . .	11-30
11.8.1.3      Monitor Reset Command (0x2D) . . . . .	11-30
11.8.1.4      Transmit Continuous Command (0x29) . . . . .	11-30
11.8.1.5      Transmit Command (0x28) . . . . .	11-30
11.8.1.6      Transmit&Receive/Receive Only Command (0x2A) . . . . .	11-30
11.8.2        IOM-2 Monitor Indications . . . . .	11-31
11.8.2.1      Transfer Ready Indication (0x53) . . . . .	11-31

<b>Table of Contents</b>	<b>Page</b>
11.8.2.2 Receive Continuous Indication (0x52) . . . . .	11-31
11.8.2.3 Receive Indication (0x51) . . . . .	11-31
11.8.2.4 Transmit Abort Indication (0x55) . . . . .	11-32
11.8.2.5 Monitor Active Indication (0x54) . . . . .	11-32
11.8.3 Common Mailbox Parameter Structure . . . . .	11-32
11.8.4 Flow Diagrams . . . . .	11-33
11.9 IOM-2000 C/I Handling . . . . .	11-37
11.9.1 IOM-2000 C/I Command . . . . .	11-37
11.9.1.1 Write C/I Value Command (0x0B) . . . . .	11-38
11.9.2 IOM-2000 C/I Indication . . . . .	11-38
11.9.2.1 Change Detected Indication (0x11) . . . . .	11-38
11.9.3 Common Mailbox Parameter Structure . . . . .	11-38
11.10 HDLC Handling . . . . .	11-39
11.10.1 HDLC Commands . . . . .	11-39
11.10.1.1 Reset Command (0x1F) . . . . .	11-40
11.10.1.2 Transmit Command (0x1D) . . . . .	11-41
11.10.1.3 Transmit Continuous Command (0x1E) . . . . .	11-41
11.10.1.4 Activation/Deactivation Command (0x20) . . . . .	11-41
11.10.2 HDLC Indications . . . . .	11-42
11.10.2.1 Error Indication (0x34) . . . . .	11-42
11.10.2.2 Transmit Ready Indication (0x33) . . . . .	11-43
11.10.2.3 Receive Indication (0x31) . . . . .	11-44
11.10.2.4 Receive Continuous Indication (0x32) . . . . .	11-44
11.10.3 Common Mailbox Parameter Structure . . . . .	11-44
11.10.4 Flow Diagrams . . . . .	11-45
11.11 GHDLC Handling . . . . .	11-46
11.11.1 GHDLC Commands . . . . .	11-46
11.11.1.1 Reset Command (0x15) . . . . .	11-46
11.11.1.2 Transmit Command (0x11) . . . . .	11-47
11.11.1.3 Transmit Continuous Command (0x12) . . . . .	11-48
11.11.2 GHDLC Indications . . . . .	11-48
11.11.2.1 Error Indication (0x24) . . . . .	11-48
11.11.2.2 Fatal Error Indication (0x25) . . . . .	11-48
11.11.2.3 Transmit Ready Indication (0x23) . . . . .	11-49
11.11.2.4 Receive Indication (0x21) . . . . .	11-49
11.11.2.5 Receive Continuous Indication (0x22) . . . . .	11-49
11.12 B-Channel Switching . . . . .	11-50
11.12.1 Switching Commands . . . . .	11-50
11.12.1.1 8-bit Connect Command (0x17) . . . . .	11-50
11.12.1.2 8-bit Disconnect Command (0x18) . . . . .	11-52
<b>12 Index . . . . .</b>	<b>I-1</b>

---

13	Glossary .....	13-1
----	----------------	------

<b>List of Figures</b>	<b>Page</b>
Figure 1-1	Block Diagram of the DELIC-LC . . . . . 1-2
Figure 1-2	Block Diagram of the DELIC-PB . . . . . 1-3
Figure 1-1	Logic Symbol . . . . . 1-6
Figure 1-2	DELIC-LC in S/T and Upn Line Cards (up to 8 S/T and 16 Upn). . . . . 1-7
Figure 1-3	DELIC-LC in Uk0 Line Card for 16 Subscribers. . . . . 1-8
Figure 1-4	DELIC-PB in Analog Line Card for 16 Subscribers . . . . . 1-8
Figure 1-5	DELIC-PB in Small PBX . . . . . 1-9
Figure 2-1	Pin Configuration DELIC-LC . . . . . 2-1
Figure 2-2	Pin Configuration DELIC-PB . . . . . 2-2
Figure 3-1	Overview of IOM-2000 Interface Structure (Example with One VIP) . . 3-2
Figure 3-2	IOM-2000 Data Sequence (1 VIP with 8 Channels) . . . . . 3-4
Figure 3-3	IOM-2000 Data Order (3 VIPs with 24 Channels) . . . . . 3-5
Figure 3-4	IOM-2000 CMD/STAT Handling (1 VIP with 8 Channels) . . . . . 3-6
Figure 3-5	IOM-2000 Command/Status Sequence (3 VIPs with 24 Channels) . . 3-6
Figure 3-6	UPN State Diagram . . . . . 3-10
Figure 3-7	State Diagram of LT-S Mode . . . . . 3-16
Figure 3-8	LT-T Mode State Diagram (Conditional and Unconditional States) . . 3-20
Figure 3-9	IOM <sup>®</sup> -2 Interface in Digital Linecard Mode . . . . . 3-23
Figure 3-10	DELIC in Multiplexed and in De-multiplexed Bus Mode . . . . . 3-25
Figure 4-1	Block Diagram . . . . . 4-2
Figure 4-2	S/Q Channel Assignment. . . . . 4-4
Figure 4-3	IOMU Integration in DELIC . . . . . 4-15
Figure 4-4	IOM-2 Interface Timing in Single/Double Clock Mode . . . . . 4-18
Figure 4-5	IOM-2 Interface Open-Drain Mode . . . . . 4-19
Figure 4-6	IOM-2 Interface Push-Pull Mode . . . . . 4-19
Figure 4-7	DRDY Signal Behavior. . . . . 4-20
Figure 4-8	DRDY Sampling Timing . . . . . 4-20
Figure 4-9	PCMU Integration in DELIC . . . . . 4-22
Figure 4-10	IOM-2 Interface Timing in Single/Double Clock Mode . . . . . 4-25
Figure 4-11	HDLCU General Block Diagram . . . . . 4-30
Figure 4-12	Data Processing in the GHDL . . . . . 4-34
Figure 4-13	GHDL Interface Lines . . . . . 4-35
Figure 4-14	GHDL Receive and Transmit Buffer Structure . . . . . 4-37
Figure 4-15	Statistics Registers . . . . . 4-39
Figure 4-16	DELIC Clock Generator . . . . . 4-51
Figure 9-1	Write Cycle in Motorola Mode . . . . . 9-2
Figure 9-2	Read Cycle in Motorola Mode . . . . . 9-3
Figure 9-3	Write Cycle in Intel/Infineon De-multiplexed Mode . . . . . 9-4
Figure 9-4	Read Cycle in Intel/Infineon De-multiplexed Mode . . . . . 9-5
Figure 9-5	Write Cycle in Intel/Infineon Multiplexed Mode . . . . . 9-6
Figure 9-6	Read Cycle in Intel/Infineon Multiplexed Mode . . . . . 9-7
Figure 9-7	Interrupt Acknowledge Cycle Timing in Motorola Mode. . . . . 9-8

<b>List of Figures</b>		<b>Page</b>
Figure 9-8	Interrupt Acknowledge Cycle Timing in Intel/Infineon Mode . . . . .	9-8
Figure 9-9	IREQ Deactivation Timing . . . . .	9-9
Figure 9-10	DMA Write Transaction Timing in Motorola Mode . . . . .	9-11
Figure 9-11	DMA Read-Transaction Timing in Motorola Mode . . . . .	9-12
Figure 9-12	DMA Write Transaction Timing in Intel/Infineon Mode. . . . .	9-14
Figure 9-13	DMA Read Transaction Timing in Intel/Infineon Mode . . . . .	9-14
Figure 9-14	IOM®-2 Interface Timing with Single Data Rate DCL . . . . .	9-15
Figure 9-15	Timing of the IOM®-2 Interface with Double Data Rate DCL . . . . .	9-16
Figure 10-1	DELIC Connection to Intel 80386EX (Demuxed Configuration) . . . . .	10-1
Figure 10-2	DELIC Connection to Siemens C165 (Demuxed Configuration) . . . . .	10-2
Figure 10-3	DELIC-LC PCM unit mode 0 ( 4 ports with 2 MBit/s) . . . . .	10-3
Figure 10-4	Command/ Indication handshake of general mailbox . . . . .	10-4
Figure 11-1	Transmit Mailbox Structure . . . . .	11-2
Figure 11-2	Receive Mailbox Structure . . . . .	11-3
Figure 11-3	Flow Diagram: Mailbox Write Access . . . . .	11-4
Figure 11-4	Boot Sequence . . . . .	11-12
Figure 11-5	Initialization Flow Diagram: Configuration Example. . . . .	11-20
Figure 11-6	C/I Flow Diagram: Receiving C/I Value Changes . . . . .	11-29
Figure 11-7	Monitor Flow Diagram: Transmit . . . . .	11-33
Figure 11-8	Monitor Flow Diagram: Transmit Continuous. . . . .	11-34
Figure 11-9	Monitor Flow Diagram: Search Mode . . . . .	11-35
Figure 11-10	Monitor Flow Diagram: Receive Only with Receive Continuous . . .	11-36
Figure 11-11	Monitor Flow Diagram: Transmit & Receive. . . . .	11-37
Figure 11-12	HDLC Frame Structure . . . . .	11-39
Figure 11-13	HDLC Flow Diagram: Transmit . . . . .	11-45
Figure 11-14	HDLC Flow Diagram: Transmit Continuous. . . . .	11-45

<b>List of Tables</b>	<b>Page</b>
Table 2-1	IOM®-2 Interface Pins (DELIC-LC) . . . . . 2-3
Table 2-2	IOM-2000 Interface / LNC Port 1 (DELIC-LC) . . . . . 2-4
Table 2-3	LNC Port 0 (DELIC-LC) . . . . . 2-5
Table 2-4	Microprocessor Bus Interface Pins (DELIC-LC) . . . . . 2-6
Table 2-5	PCM Interface Ports 0 ... 3 / LNC Ports 2 ... 3 (DELIC-LC) . . . . . 2-8
Table 2-6	Clock Generator Pins (DELIC-LC) (additionally to IOM/PCM clocks) 2-11
Table 2-7	Power Supply Pins (DELIC-LC) . . . . . 2-12
Table 2-8	JTAG and Emulation Interface Pins (DELIC-LC) . . . . . 2-13
Table 2-9	Test Interface Pins (DELIC-LC) . . . . . 2-14
Table 2-10	IOM®-2 Interface Pins (DELIC-PB) . . . . . 2-15
Table 2-11	IOM-2000 Interface / LNC Port 1 (DELIC-PB) . . . . . 2-16
Table 2-12	LNC Port 0 (DELIC-PB) . . . . . 2-17
Table 2-13	Microprocessor Bus Interface Pins (DELIC-PB) . . . . . 2-18
Table 2-14	PCM Interface Ports 0 ... 3 / LNC Ports 2 ... 3 (DELIC-PB) . . . . . 2-20
Table 2-15	Clock Generator Pins (DELIC-PB) (additionally to IOM/PCM clocks) 2-24
Table 2-16	Power Supply Pins (DELIC-PB) . . . . . 2-25
Table 2-17	JTAG and Emulation Interface Pins (DELIC-PB) . . . . . 2-26
Table 2-18	Test Interface Pins (DELIC-PB) . . . . . 2-27
Table 2-19	Strap Pins (Evaluated During Reset) . . . . . 2-28
Table 3-1	Control Bits in S/T Mode on DR Line . . . . . 3-3
Table 3-2	Control Bits in S/T Mode on DX Line . . . . . 3-3
Table 3-3	INFO Structure on UPN Interface . . . . . 3-9
Table 3-4	UPN State Machine Codes . . . . . 3-12
Table 3-5	LT-S State Machine Codes . . . . . 3-14
Table 3-6	LT-T Mode State Machine Codes (Conditional States) . . . . . 3-18
Table 3-7	TAP Controller Instruction Codes . . . . . 3-27
Table 4-1	Differences between DELIC-LC - DELIC-PB . . . . . 4-1
Table 4-2	S/T Mode Multiframe Bit Positions . . . . . 4-5
Table 4-3	I-Buffer Logical Memory Mapping . . . . . 4-16
Table 4-4	D-Buffer Address Space . . . . . 4-16
Table 4-5	DCL Frequency in Different IOM-2 Modes . . . . . 4-17
Table 4-6	I-Buffer Logical Memory Mapping of Input Buffers . . . . . 4-23
Table 4-7	I-Buffer Logical Memory Mapping of Output Buffers . . . . . 4-23
Table 4-8	DSP Access to D-Buffer Input Blocks . . . . . 4-23
Table 4-9	DSP Access to D-Buffer Output Blocks . . . . . 4-24
Table 4-10	PCM TSC in 4 x 32 TS Mode . . . . . 4-26
Table 4-11	PCM TSC in 2 x 64 TS Mode . . . . . 4-27
Table 4-12	PCM TSC in 1 x 128 TS and 1 x 256 TS (1st Half) Mode . . . . . 4-27
Table 4-13	PCM TSC in 1 x 256 TS (2nd Half) Mode . . . . . 4-27
Table 4-14	Interrupt Map . . . . . 4-38
Table 4-15	Overview of Clock Signals . . . . . 4-50
Table 5-1	DSP Registers Address Space . . . . . 5-1



<b>List of Tables</b>	<b>Page</b>
Table 5-2	DSP Program address space . . . . . 5-1
Table 5-3	Occupied DSP Data Address space . . . . . 5-2
Table 5-4	OAK memory mapped registers address space . . . . . 5-3
Table 5-5	μP Address Space Table . . . . . 5-3
Table 6-1	TRANSIU Register Map . . . . . 6-1
Table 6-2	Scrambler Register Map . . . . . 6-1
Table 6-3	IOMU Register Map . . . . . 6-2
Table 6-4	PCMU Register Map . . . . . 6-2
Table 6-5	A-/μ-law Unit Register Map . . . . . 6-3
Table 6-6	HDLCU Register Map . . . . . 6-3
Table 6-7	GHDLC Register Map . . . . . 6-4
Table 6-8	DCU Register Map . . . . . 6-5
Table 6-9	μP Configuration Register Map . . . . . 6-5
Table 6-10	General Mailbox Register Map . . . . . 6-6
Table 6-11	DMA Mailbox Register Map . . . . . 6-7
Table 6-12	Clock Generator Register Map . . . . . 6-9
Table 6-13	Available ISDN Modes for each VIP Channel . . . . . 6-11
Table 6-14	Tristate Control Assignment for IOM-2 Time Slots. . . . . 6-24
Table 9-1	Timing For Write Cycle In Motorola Mode . . . . . 9-2
Table 9-2	Timing For Read Cycle In Motorola Mode . . . . . 9-3
Table 9-3	Timing For Write Cycle In Intel/Infineon Demultiplexed Mode . . . . . 9-4
Table 9-4	Timing For Read Cycle In Intel/Infineon De-multiplexed Mode . . . . . 9-5
Table 9-5	Timing For Write Cycle In Intel/Infineon Multiplexed Mode . . . . . 9-6
Table 9-6	Timing For Read Cycle In Intel/Infineon Multiplexed Mode . . . . . 9-7
Table 9-7	Interrupt Acknowledge Cycle Timing . . . . . 9-8
Table 9-8	R/W Behavior During DMA Transactions in Normal and Fly-By Mode 9-9
Table 9-9	DMA Transaction timing in Motorola Mode . . . . . 9-10
Table 9-10	R/W Behavior During DMA Transactions in Normal and Fly-By Mode 9-10
13	
Table 9-11	DMA Transaction Timing in Intel/Infineon Mode . . . . . 9-13
Table 9-12	<b>Timing Characteristics of the IOM®-2 . . . . . 9-15</b>
Table 9-13	<b>Timing Characteristics of the IOM®-2 . . . . . 9-16</b>
Table 11-1	Boot Commands . . . . . 11-5
Table 11-2	Boot Indications . . . . . 11-6
Table 11-3	General Commands . . . . . 11-6
Table 11-4	General Indications . . . . . 11-6
Table 11-5	Configuration Commands . . . . . 11-7
Table 11-6	Configuration Indications . . . . . 11-7
Table 11-7	IOM-2 C/I Command . . . . . 11-8
Table 11-8	IOM-2 C/I Indication . . . . . 11-8
Table 11-9	IOM-2 Monitor Commands . . . . . 11-8
Table 11-10	IOM-2 Monitor Indications . . . . . 11-9

Table 11-11	IOM-2000 C/I Command .....	11-9
Table 11-12	IOM-2000 C/I Indication .....	11-9
Table 11-13	HDLC Commands .....	11-10
Table 11-14	HDLC Indications .....	11-10
Table 11-15	GHDLC Commands .....	11-10
Table 11-16	GHDLC Indications .....	11-11
Table 11-17	Switching Commands .....	11-11
Table 11-18	Time Slot Address Ranges .....	11-50

# 1 Introduction

The DELIC and VIP chipset realizes multiple ISDN S/T and Up interfaces together with controller functionality typically needed in PBX or Central Office systems. This functionality comprises voice channel handling, signaling control, layer-1 control, and even signal processing tasks.

Moreover it provides a programmable master/slave clock generator with 2 PLLs, an universal  $\mu$ P interface and a DMA interface.

The controller part, **DELIC**, is planned in three different versions:

- **DELIC-LC (PEB 20570)** is a line card controller providing voice channel switching, multiple HDLC and layer-1 control for up to three VIPs (24 ISDN channels). Other transceiver ICs (32 analog or 16 digital channels) may additionally be connected via IOM-2/GCI interface.
- **DELIC-PB (PEB 20571)** additionally provides a programmable telecom DSP including program and data RAM. This DSP can be used for layer-1 control, protocol support and signal processing. The flexibility gained by the programmability allows Infineon to offer different application specific solutions with the same silicon just by software configuration.  
A configuration tool assists the user in finding a valid system configuration. Even more customer specific DSP-routines can be integrated with the assistance of Infineon.
- **DELIC-HD (PEB 20572)** (in definition) includes up to 64 time-slot oriented HDLC controllers, and 2 independent serial communication controllers. Additional transfer and signalling protocols such as ASYNC and SS7 (PEB 3040 replacement) will be provided in DSP software.

**VIP PEB 20590** is the first (8 channel) ISDN transceiver that implements multiple  $U_{PN}$  and S/T interfaces within one device. The user can decide by programming in which mode a desired channel shall work.

A total of 8 channels are provided for layer-1 subscriber or trunk line characteristic. The VIP is programmed by the DELIC via the IOM-2000 interface.

VIP's eight channels are programmable in the following maximum partitioning between  $U_{PN}$  and S/T channels:

	Max. number of $U_{PN}$ and S/T Channels				
$U_{PN}$	8	7	6	5	4
S/T	0	1	2	3	4

VIP-8 PEB 20591

Additionally to the features of the VIP, the VIP-8 allows any combination of  $U_{PN}$  S/T interface (i.e. each of the 8 channels may be programmed to S/T or  $U_{PN}$  mode)

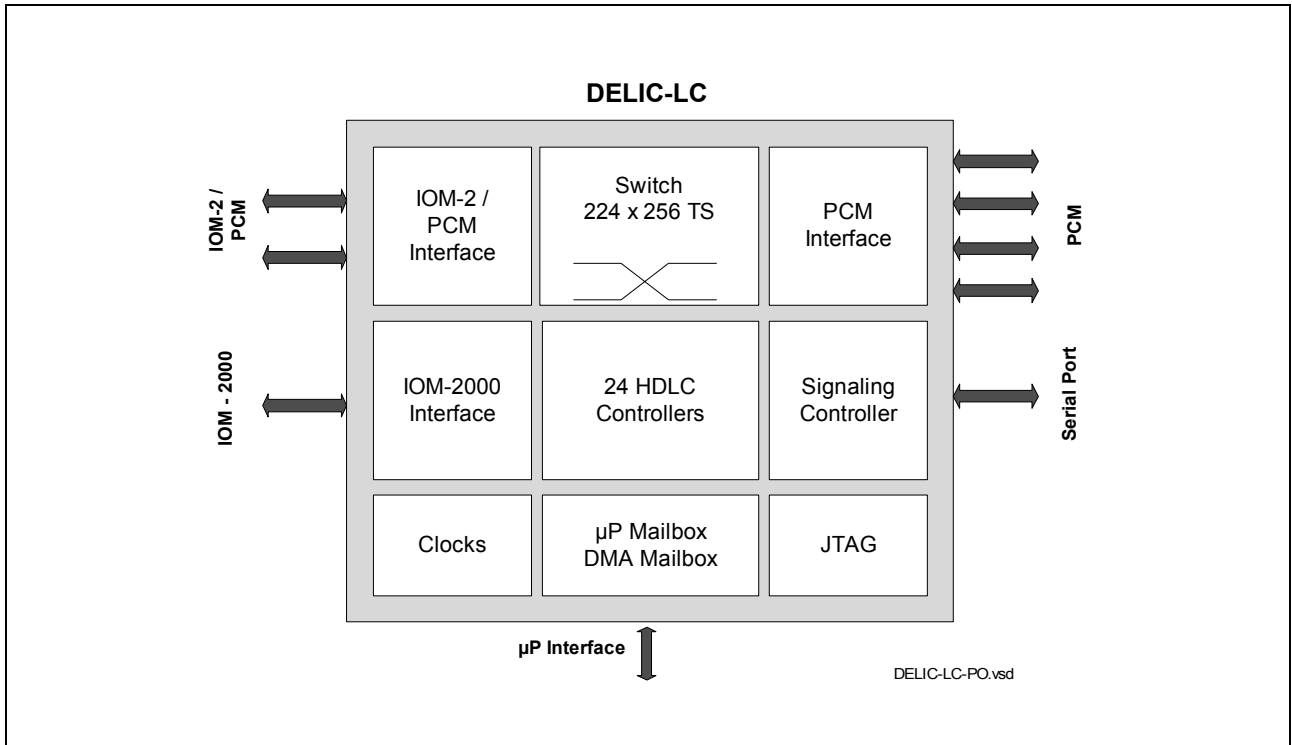


Figure 1-1 Block Diagram of the DELIC-LC

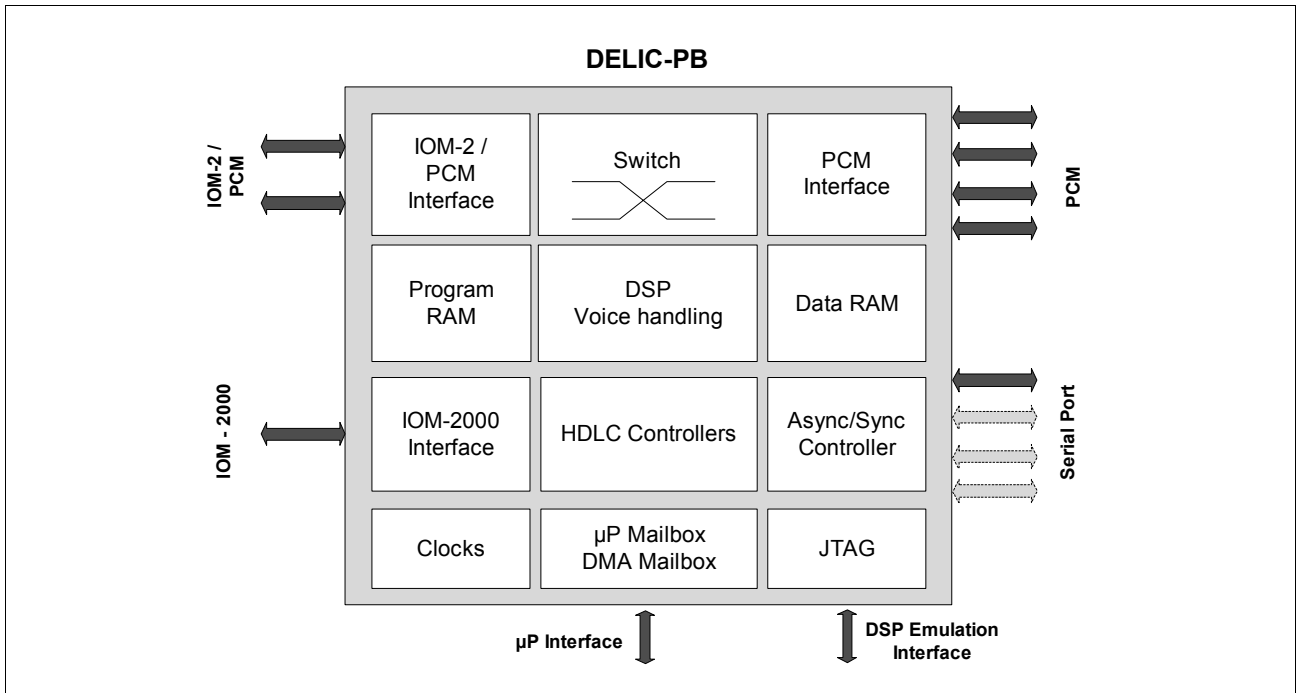


Figure 1-2 Block Diagram of the DELIC-PB

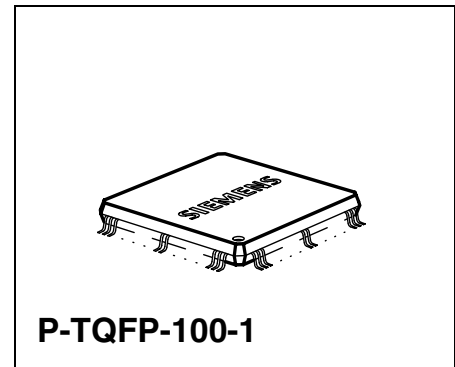
**Version 2.1**

**CMOS**

**1.1 DELIC-LC Key Features**

DELIC-LC is optimized for line card applications:

- One IOM-2000 interface supporting three VIPs i.e. up to 24 ISDN channels
- Two IOM-2 (GCI) ports (configurable as PCM ports) supporting up to 16ISDN channels or 32 analog subscribers
- Four PCM ports with up to 4 x 2.048 Mbit/s (4 x 32 TS) or 2 x 4.096 Mbit/s or 1 x 8.192 Mbit/s
- Switching matrix 224 x 256 TS (8-bit switching)
- 24 HDLC controllers assignable to any D- or B-channel (at 16 kbit/s or 64 kbit/s)
- Serial communication controller: high-speed signaling channel for 2.048 Mbit/s
- Standard multiplexed and de-multiplexed  $\mu$ P interface: Siemens, Intel, Motorola
- Programmable PLL based Master/Slave clock generator, providing all system clocks from a single 16.384 MHz crystal source
- JTAG compliant test interface
- single 3.3 V power supply, 5 V tolerant inputs



**1.2 DELIC-PB Key Features**

Compared to the DELIC-LC, having a fixed functionality, the DELIC-PB provides a high degree of flexibility (in terms of selected number of ports or channels).

Additionally it features computing power for typical DSP-oriented PBX tasks like conferencing, DTMF..

A Microsoft Windows based configuration tool, the Configurator, enables to generate an application specific functionality. Its features are mainly determined by the firmware of the integrated telecom DSP.

Type	Package
PEB 20570/ PEB 20571	P-TQFP-100-1

**List of maximum available features:**

- One IOM-2000 interface supporting up to three VIPs i.e. up to 24 ISDN channels
- Up to two IOM-2 (GCI) ports (also configurable as PCM ports) supporting up to 16 ISDN channels or 32 analog subscribers
- Up to four PCM ports with up to 4 x 2.048 Mbit/s (4 x 32 TS) or 2 x 4.096 Mbit/s or 1 x 8.192 Mbit/s
- Switching matrix 224 x 256 TS (switching of 4-/8- bit time slots)
- Up to 32 HDLC controllers assignable to any D- or B-channel (at 16 kbit/s or 64 kbit/s)
- Serial communication controller: high-speed signaling channel of up to 16.384 Mbit/s
- DECT synchronization support
- Standard multiplexed and de-multiplexed  $\mu$ P interface: Siemens, Intel, Motorola
- Dedicated DMA support mailbox
- Integrated DSP core OAK<sup>®</sup>+ (up to 60 MIPS for layer 1 control, signalling and DSP-algorithms)
- 4 KW on-chip program memory
- 2 KW on-chip data memory
- 2 KW ROM
- DSP work load measurement for run-time statistics, DSP alive indication
- On chip debugging unit
- Serial DSP program debugging interface connected via JTAG port
- A-/ $\mu$ -law conversion unit
- Programmable PLL based Master/Slave clock generator, providing all system clocks from a single 16.384 MHz crystal source
- JTAG compliant test interface
- single 3.3 V power supply, 5 V compatible inputs

*Note: As each feature consumes system resources (DSP-performance, memory, port pins), the maximum available number of supported interfaces or HDLC channels is limited by the totally available resources. A System Configurator tool helps to determine a valid configuration.*

### 1.3 Logic Symbol

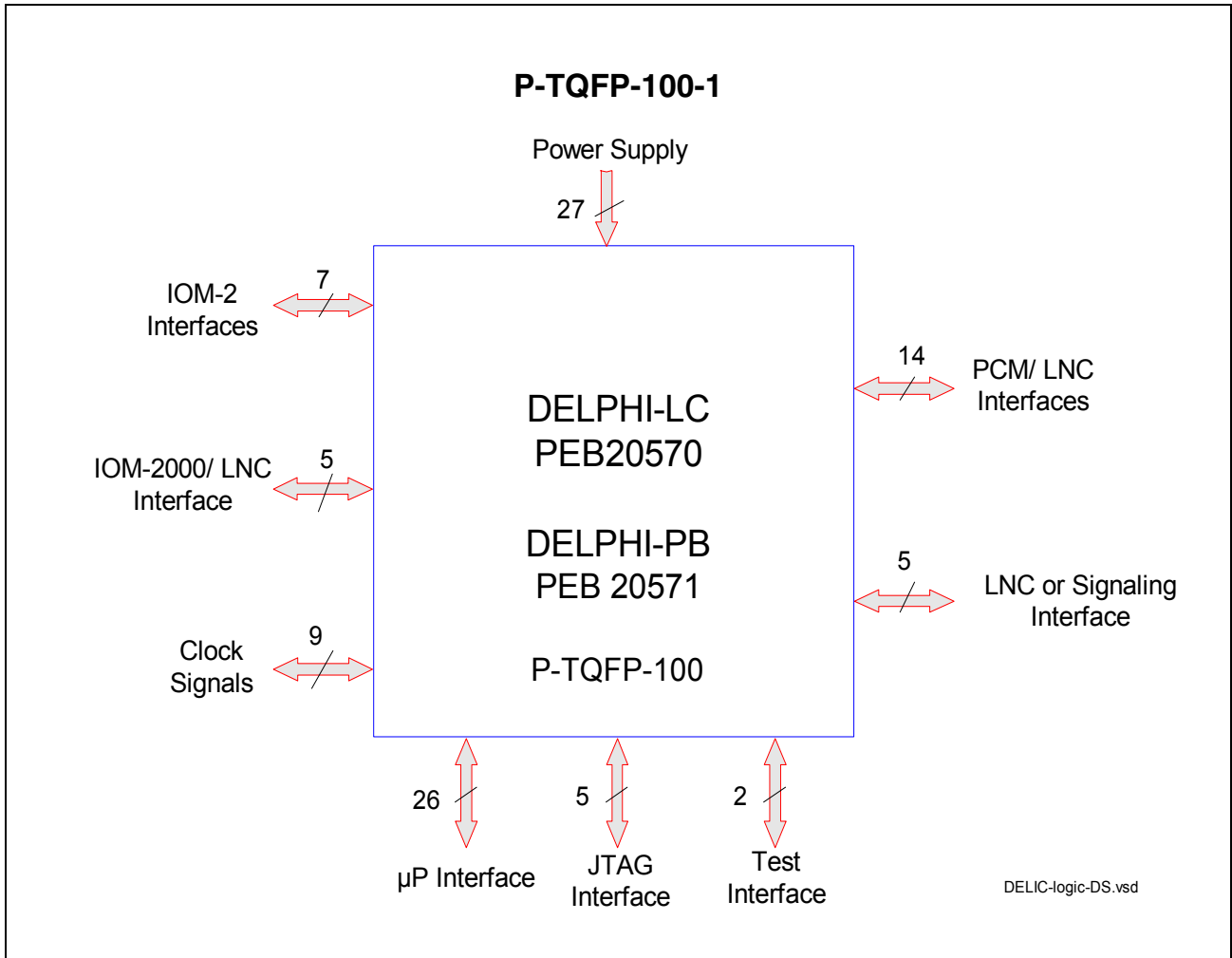


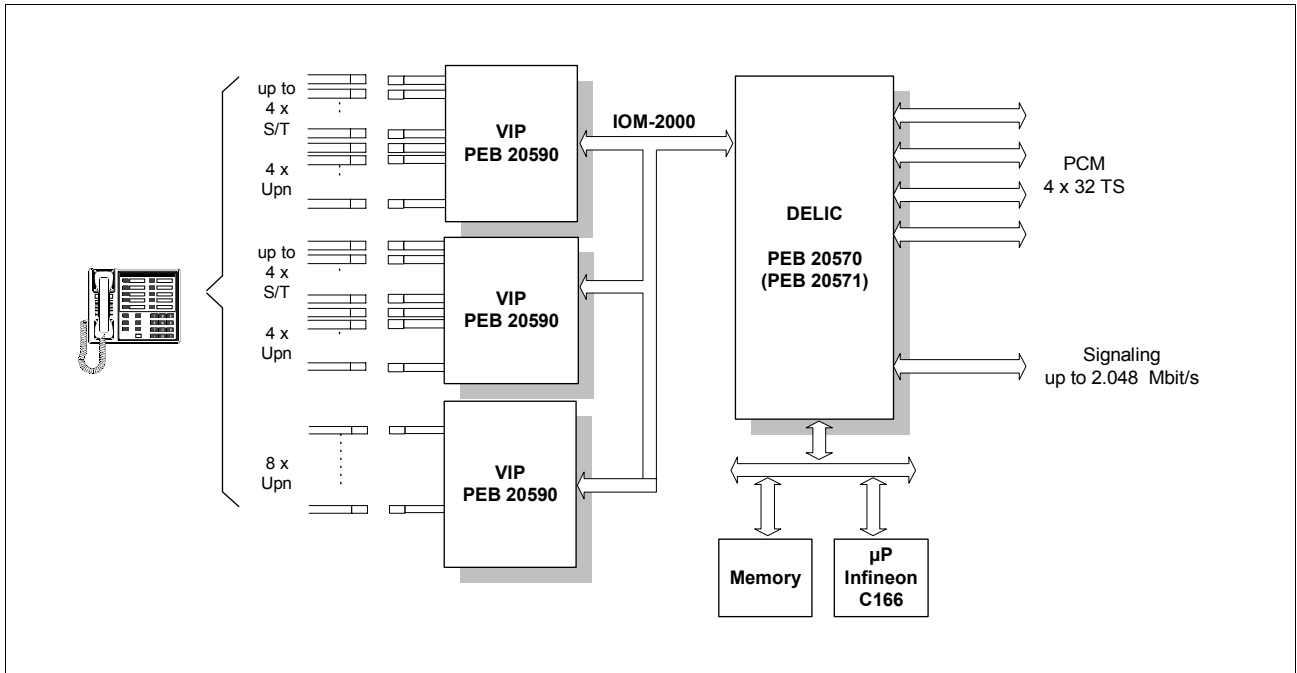
Figure 1-1 Logic Symbol



### 1.4 Typical Applications

The following two figures show example configurations of DELIC-PB Line card applications for different ISDN interface standards.

In **Figure 1-2**, three VIP transceiver ICs are connected to the DELIC-PB via the new IOM-2000 interface, whereas in **Figure 1-3** and **Figure 1-4** IOM-2 (GCI) interfaces are used.



**Figure 1-2 DELIC-LC in S/T and Upn Line Cards (up to 8 S/T and 16 Upn)**

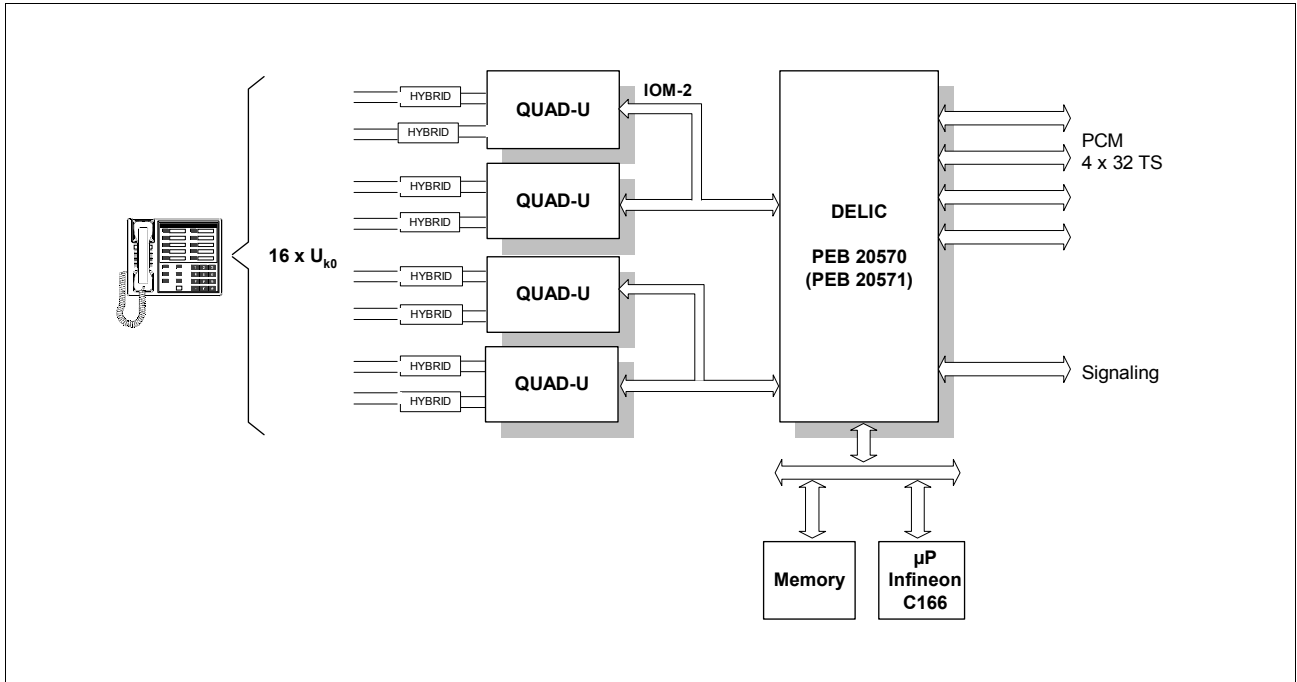


Figure 1-3 DELIC-LC in Uk0 Line Card for 16 Subscribers

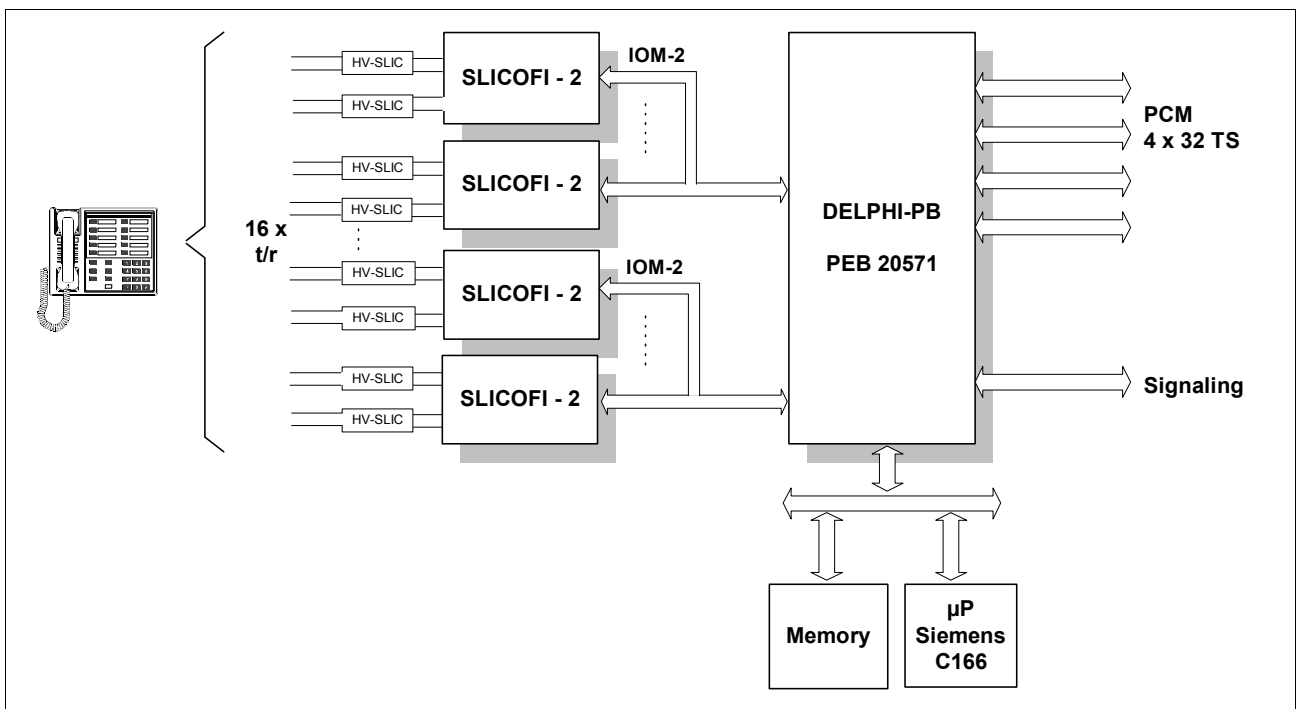


Figure 1-4 DELIC-PB in Analog Line Card for 16 Subscribers

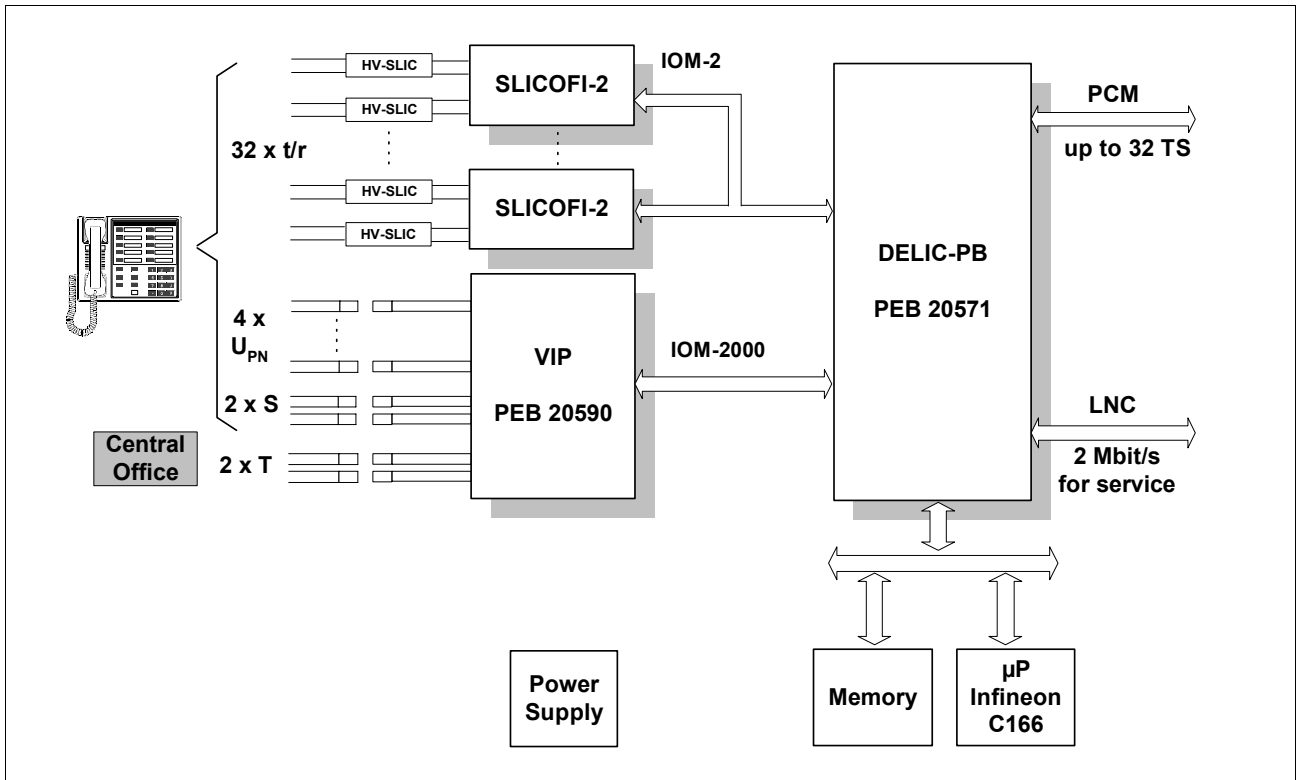
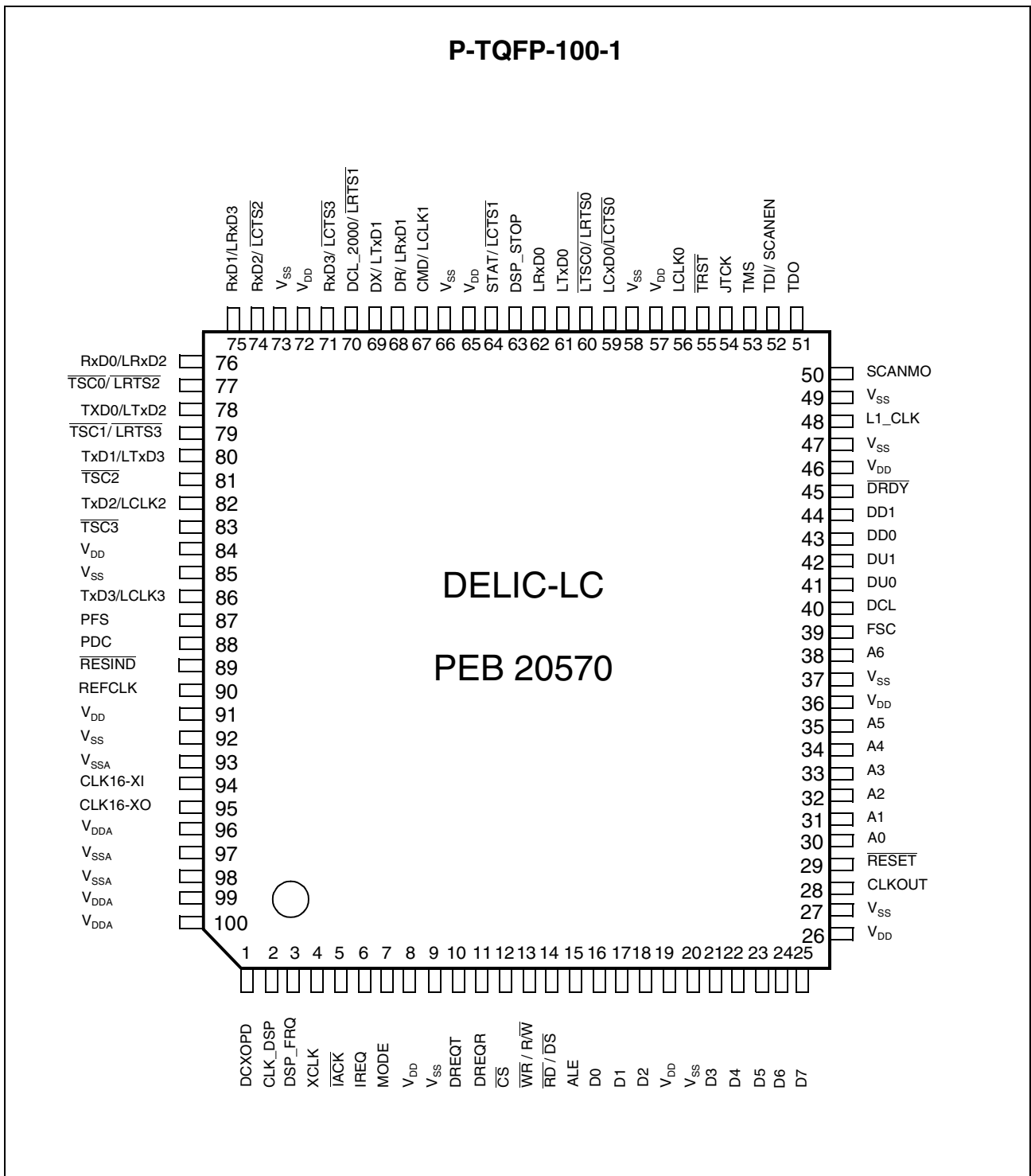


Figure 1-5 DELIC-PB in Small PBX

## 2 Pin Descriptions

### 2.1 Pin Diagram DELIC-LC

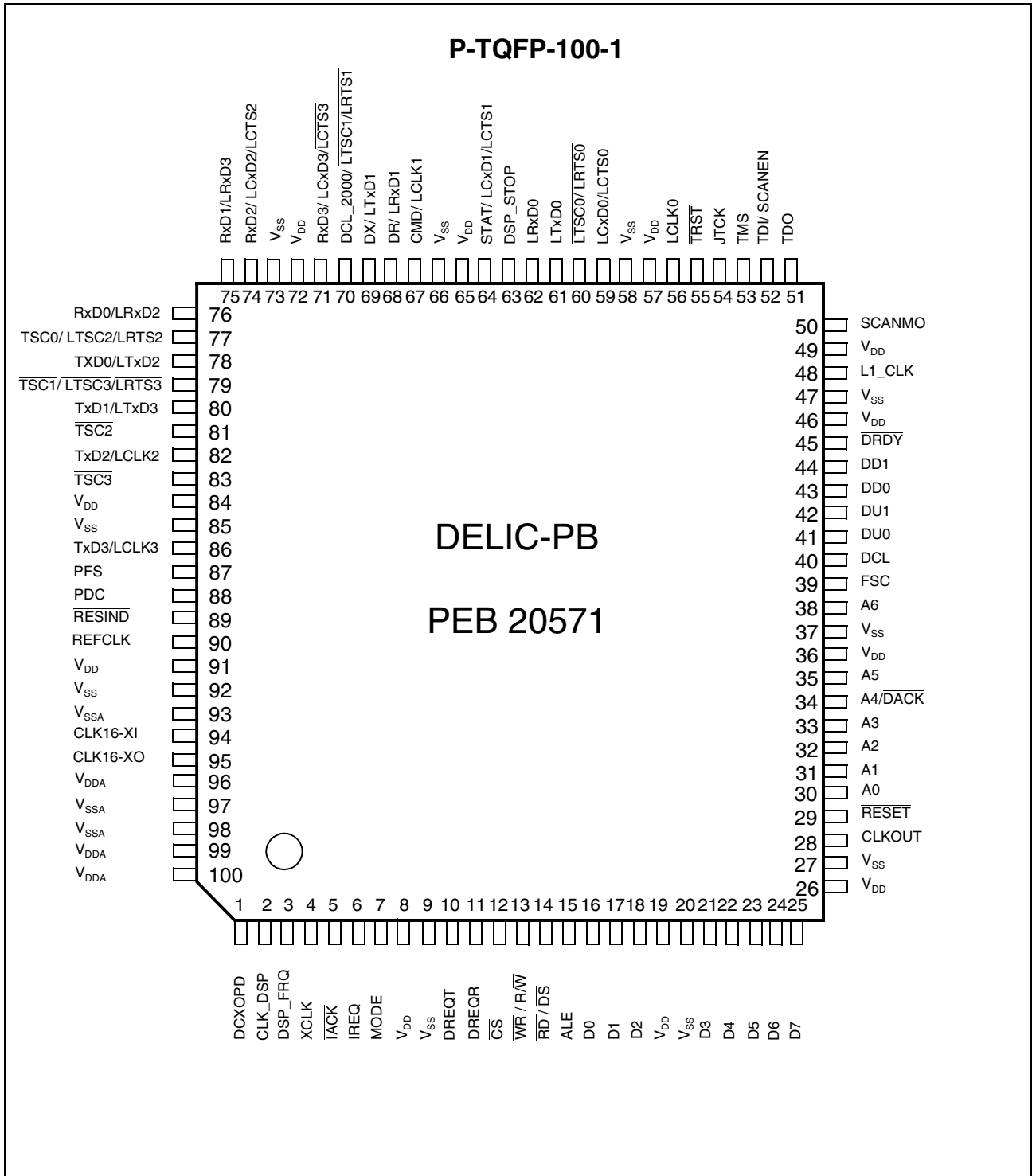
(top view)



**Figure 2-1 Pin Configuration DELIC-LC**

## 2.2 Pin Diagram DELIC-PB

(top view)



**Figure 2-2 Pin Configuration DELIC-PB**

## 2.3 Pin Definitions and Functions for DELIC-LC

*Note: The column “During Reset” refers to the time period that starts with activation of  $\overline{RESET}$  input and ends with the deactivation of the  $\overline{RESIND}$  output. During this period, the DELIC’s strap pins (refer to **Table 2-19**) may be driven by external pull-down or pull-up resistors to define DELIC’s configuration. If external pull-down or pull-up resistors are not connected to the strap pins, the value of each strap pin during reset will be determined by an internal pull-up or pull-down resistor, according to the default strap value of each pin.*

*The user must ensure that connected circuits do not influence the sampling of the strap pins during reset.*

*The column “After Reset” describes the behavior of every pin, from the deactivation of the  $\overline{RESIND}$  output until the DELIC’s registers are programmed.*

**Table 2-1 IOM<sup>®</sup>-2 Interface Pins (DELIC-LC)**

Pin No.	Symbol	In (I) Out(O)	During Reset	After Reset	Function
39	FSC	O	O	O	Frame Synchronization Clock (8 kHz) Used for both the IOM-2 and the IOM-2000 interface
40	DCL	O	TEST-Strap (3), (internal pull-up), refer to <b>Table 2-19</b>	O	IOM-2 Data Clock 2.048 MHz or 4.096 MHz
43	DD0	O(OD)	High Z	High Z	Data Downstream IOM-2 Interface Channel0
44	DD1	O(OD)	High Z	High Z	Data Downstream IOM-2 Interface Channel1
41	DU0	I	I	I	Data Upstream IOM-2 Interface Channel 0
42	DU1	I	I	I	Data Upstream IOM-2 Interface Channel 1
45	$\overline{DRDY}$	I	I	I	D- Channel Ready Stop/Go information for D-channel control on S/T interface in LT-T. Affects only IOM-2 port 0. $\overline{DRDY} = 1$ means GO $\overline{DRDY} = 0$ means STOP

**Table 2-2 IOM-2000 Interface / LNC Port 1 (DELIC-LC)**

Pin No.	Symbol	In (I) Out (O)	During Reset	After Reset	Function
70	DCL_2000 /	O	O	O	IOM-2000 Data Clock 3.072, 6.144 or 12.288 MHz
	$\overline{\text{LR}}\text{TS1}$	O			'request-to-send' functionality (Async mode)
69	DX /	O	High Z	High Z	Data Transmit Transmits IOM-2000 data to VIP
	LTxD1	O (OD)			LNC Transmit Serial Data Port 1 (Async mode).
68	DR /	I	I	I	Data Receive Receives IOM-2000 data from VIP
	LRxD1	I			LNC Receive Serial Data Port 1 (Async mode).
67	CMD /	O	High Z	High Z	IOM-2000 Command Transmits DELIC commands to VIP.
	LCLK1	I/O			LNC Clock Port 1. When configured as output may be driven at the following frequencies: 2.048 MHz, 4.096 MHz, 8.192 MHz, 16.384 MHz
64	STAT /	I	I	I	IOM-2000 Status Receives status information from VIP.
	$\overline{\text{LC}}\text{TS1}$	I			LNC1 Clear to Send 'clear-to-send' functionality (Async mode)

**Pin Descriptions**

**Table 2-3 LNC Port 0 (DELIC-LC)**

Pin No.	Symbol	In (I) Out (O)	During Reset	After Reset	Function
62	LRxD0	I	I	I	LNC Receive Serial Data Port 0 (HDLC and Async mode).
61	LTxD0	O (OD)	High Z	High Z	LNC Transmit Serial Data Port 0 (HDLC and Async mode).
60	$\overline{\text{LTSC0}}$ / $\overline{\text{LRTS0}}$	O	$\overline{\text{PLL-Bypass}}$ strap. Internal pull-up refer to page 2-28	H	LNC0 Tristate Control / Request to Send  2 modes per S/W selectable: 1) TxD output is valid (HDLC mode). Supplies a control signal for an external driver. ('low' when the corresponding TxD-output is valid). 2) 'request-to-send' functionality (Async mode)
59	$\overline{\text{LCxD0}}$ / $\overline{\text{LCTS0}}$	I	I	I	LNC0 Collision Data / Clear to Send  2 modes per S/W selectable: 1) Collision Data (HDLC Mode). 2) 'clear-to-send' functionality (Async mode)
56	LCLK0	I/O	I	I	LNC Clock Port 0 When configured as output may be driven at the following frequencies: 2.048 MHz, 4.096 MHz, 8.192 MHz, 16.384 MHz



Pin Descriptions

**Table 2-4 Microprocessor Bus Interface Pins (DELIC-LC)**

Pin No.	Symbol	In (I) Out (O)	During Reset	After Reset	Function
25 24 23 22 21 18 17 16	D7 D6 D5 D4 D3 D2 D1 D0	I/O The direction of these pins depends on the value of the following pins: $\overline{CS}$ , $\overline{RD/DS}$ , $\overline{WR}$ / $R/\overline{W}$ and MODE			Data Bus <i>Note: When operated in address/data multiplex mode, this bus is used as a multiplexed AD bus. The Address pins are externally connected to the AD bus.</i>
38 35 34 33 32 31 30	A6 A5 A4 A3 A2 A1 A0	I	I	I	Address Bus (bits 6 ... 0) <i>Note: When operated in address/data multiplex mode, this bus is used as a multiplexed AD bus. The Data pins are externally connected to the AD bus.</i>
11	DREQR	O	CLOCK MASTER Strap (internal pull-down), refer to <b>Table 2-19</b>	L	Strap pin
10	DREQT	O	EMUL- ATION BOOT Strap (internal pull-down), refer to <b>Table 2-19</b>	L	Strap pin
12	$\overline{CS}$	I	I	I	Chip Select A "low" on this line selects all registers for read/write operations.

Pin Descriptions

Table 2-4 Microprocessor Bus Interface Pins (DELIC-LC) (Continued)

Pin No.	Symbol	In (I) Out (O)	During Reset	After Reset	Function
13	$\overline{WR}/$  $R/\overline{W}$	I	I	I	Write (Intel/Siemens Mode) Indicates a write access.  Read/Write (Motorola Mode) Indicates the direction of the data transfer
14	$\overline{RD}/$  $\overline{DS}$	I	I	I	Read (Intel/Siemens Mode) Indicates a read access.  Data Strobe (Motorola Mode) During a read cycle, $\overline{DS}$ indicates that the DELIC should place valid data on the bus. During a write access, $\overline{DS}$ indicates that valid data is on the bus.
15	ALE	I	I	I	Address Latch Enable Controls the on-chip address latch in multiplexed bus mode. While ALE is 'high', the latch is transparent. The falling edge latches the current address. ALE is also evaluated to determine the bus mode ('low'=multiplexed, 'high'=demultiplexed)
7	MODE	I	I	I	Bus Mode Selection Selects the $\mu$ P bus mode ('low'=Intel/Infineon, 'high'=Motorola)
6	IREQ	O (OD)	High Z (OD)	High Z (OD)	Interrupt Request is programmable to push/pull (active high or low) or open-drain. This signal is activated when the DELIC requests a $\mu$ P interrupt. When operated in open drain mode, multiple interrupt sources may be connected.
5	$\overline{IACK}$	I	I	I	Interrupt Acknowledge

Pin Descriptions

**Table 2-4 Microprocessor Bus Interface Pins (DELIC-LC) (Continued)**

Pin No.	Symbol	In (I) Out (O)	During Reset	After Reset	Function
29	$\overline{\text{RESET}}$	I	I	I	System Reset DELIC is forced to go into reset state.
89	$\overline{\text{RESIND}}$	O	O	O	Reset Indication Indicates that the DELIC is executing a reset. The DELIC remains in reset state for at least 500 $\mu\text{s}$ after the termination of the $\overline{\text{RESET}}$ pulse.

**Table 2-5 PCM Interface Ports 0 ... 3 / LNC Ports 2 ... 3 (DELIC-LC)**

Pin No.	Symbol	In (I) Out (O)	During Reset	After Reset	Function
87	PFS	I/O	I	I	PCM Frame Synchronization Clock. 8 kHz/4 kHz when input or 8 kHz when output. <i>Note: When PFS is configured as 4 kHz input, PDC configuration is restricted to 2.048 MHz input.</i>
88	PDC	I/O	I	I	PCM Data Clock (input or output) 2.048 MHz, 4.096 MHz, 8.192 MHz, 16.384 MHz
76	RxD0 / LRxD2	I I	I	I	PCM Receive Data Port 0  LNC Receive Serial Data Port 2 (Async mode)
78	TxD0 / LTxD2	O O(OD)	High Z	High Z	PCM Transmit Data Port 0  LNC Transmit Serial Data Port 2 (Async mode)

Pin Descriptions

**Table 2-5 PCM Interface Ports 0 ... 3 / LNC Ports 2 ... 3 (DELIC-LC) (Continued)**

Pin No.	Symbol	In (I) Out (O)	During Reset	After Reset	Function
77	$\overline{\text{TSC0}}$ /	O	$\overline{\text{Reset}}$ Counter Bypass” strap Internal pull-up refer to <b>page 2- 28</b>	H	PCM Tristate Control Port 0 Supplies a control signal for an external driver ('low' when the corresponding TxD-output is valid).
	$\overline{\text{LRTS2}}$	O			LNC2 Tristate Control / Request To Send  'request-to-send' functionality (Async mode)
74	RxD2 /	I	I	I	PCM Receive Data Port 2
	$\overline{\text{LCTS2}}$	I			LNC2 'clear-to-send' functionality (Async mode)
82	TxD2 /	O	weak low	weak low	PCM Transmit Data Port 2
	LCLK2	I/O			LNC External Clock Port 2 When configured as output may be driven at the following frequencies: 2.048 MHz, 4.096 MHz, 8.192 MHz, 16.384 MHz
81	$\overline{\text{TSC2}}$	O	TEST(1) strap refer to <b>page 2- 28</b>	H	PCM Tristate Control Port 2 Supplies a control signal for an external driver ('low' when the corresponding TxD-output is valid).
75	RxD1 /	I	I	I	PCM Receive Data Port 1
	LRxD3	I			LNC Receive Serial Data Port 3 (Async mode)
80	TxD1 /	O	High Z	High Z	PCM Transmit Data Port 1
	LTxD3	O(OD)			LNC Transmit Serial Data Port 3 (Async mode)

**Table 2-5 PCM Interface Ports 0 ... 3 / LNC Ports 2 ... 3 (DELIC-LC) (Continued)**

Pin No.	Symbol	In (I) Out (O)	During Reset	After Reset	Function
79	$\overline{\text{TSC1}}$ /  $\overline{\text{LRTS3}}$	O	$\overline{\text{PLL}}$ $\overline{\text{Power-Down}}$ strap Internal pull-up refer to <b>page 2-28</b>	H	PCM Tristate Control Port 1 Supplies a control signal for an external driver ('low' when the corresponding TxD-output is valid).  LNC3 Request to Send 'request-to-send' functionality (Async mode)
71	RxD3 /  $\overline{\text{LCTS3}}$	I  I	I	I	PCM Receive Data Port 3  LNC3 'clear-to-send' functionality (Async mode)
86	TxD3 /  LCLK3	O  I/O	weak low	weak low	PCM Transmit Data Port 3  LNC External Clock Port 3 When configured as output may be driven at the following frequencies: 2.048 MHz, 4.096 MHz, 8.192 MHz, 16.384 MHz
83	$\overline{\text{TSC3}}$	O	TEST(1) strap refer to <b>page 2-28</b>	H	PCM Tristate Control Port 3 Supplies a control signal for an external driver ('low' when the corresponding TxD output is valid).

**Pin Descriptions**

**Table 2-6 Clock Generator Pins (DELIC-LC) (additionally to IOM/PCM clocks)**

Pin No.	Symbol	In (I) Out (O)	During Reset	After Reset	Function
94	CLK16-XI	I	I	I	16.384 MHz External Crystal Input
95	CLK16-XO	O	O	O	16.384 MHz External Crystal Output
1	DCXOPD	I	I	I	DCXO Power Down and Bypass Activating this input powers down the on-chip DCXO PLL. The input CLK16-XI is used directly as the internal 16.384 MHz clock, and the oscillator and the shaper are bypassed. Required for testing; during normal operation this input should be permanently low ('0').
2	CLK_DSP	I	I	I	External DSP Clock Provides a DSP clock other than 61.44 MHz from an external oscillator.
3	DSP_FRQ	I	I	I	DSP Operational Frequency Selection (e.g. for test purpose) 0: The DSP is clocked internally at 61.44 MHz 1: The DSP clock is driven by the CLK_DSP input pin
48	L1_CLK	O	O	O	Layer-1 Clock 15.36 MHz or 7.68 MHz
28	CLKOUT	O	O	O	General Purpose Clock Output 2.048 MHz, 4.096 MHz, 8.192 MHz, 15.36 MHz or 16.384 MHz
4	XCLK	I	I	I	External Reference Clock Synchronization input from Layer-1 ICs (8 kHz, 512 kHz or 1.536 MHz) This pin is connected to the VIP's REFCLK output at 1.536 MHz.
90	REFCLK	I/O	I	I	Reference Clock Input: Synchronization of DELIC clock system Output: Used to drive a fraction of XCLK to the system clock master (8 kHz or 512 kHz programmable)

**Table 2-7 Power Supply Pins (DELIC-LC)**

Pin No.	Symbol	In (I) Out (O)	During Reset	After Reset	Function
8 19 26 36 46 57 65 72 84 91	$V_{DD}$	I	I	I	Power Supply 3.3 V Used for core logic and interfaces in pure 3.3 V environment
9 20 27 37 47 49 58 66 73 85 92	$V_{SS}$	I	I	I	Digital Ground (0 V)
96 99 100	$V_{DDA}$	I	I	I	Power Supply 3.3 V Analog Logic Used for DCXO and PLL
93 97 98	$V_{SSA}$	I	I	I	Analog Ground Used for DCXO and PLL

**Table 2-8 JTAG and Emulation Interface Pins (DELIC-LC)**

Pin No.	Symbol	In (I) Out (O)	During Reset	After Reset	Function
Used for boundary scan according to IEEE 1149.1					
54	JTCK	I	I	I	JTAG Test Clock Provides the clock for JTAG test logic. Used also for serial emulation interface.
53	TMS	I	I	I	Test Mode Select A '0' to '1' transition on this pin is required to step through the TAP controller state machine.
52	TDI /  SCANEN	I	I	I	Test Data Input In the appropriate TAP controller state test data or a instruction is shifted in via this line. Used also for serial emulation interface. <i>Note: This pin must not be driven to low on the board during reset and operation to ensure functioning of DELIC</i>  SCAN Enable When both SCANMO and SCANEN are asserted, the full-scan tests of DELIC are activated. Not used during normal operation.
51	TDO	O	O	O	Test Data Output In the appropriate TAP controller state test data or an instruction is shifted out via this line. Used also for serial emulation interface.



Pin Descriptions

**Table 2-8 JTAG and Emulation Interface Pins (DELIC-LC) (Continued)**

Pin No.	Symbol	In (I) Out (O)	During Reset	After Reset	Function
55	$\overline{\text{TRST}}$	I	I	I	Test Reset Provides an asynchronous reset to the TAP controller state machine.
63	DSP_STO P	O	$\overline{\text{BOOT}}$ Strap (internal pull-down) refer to <b>Table 2-19</b>	O	DSP Stop Pin Stops external logic during breakpoints. Activated when a stop to the DSP is issued.

**Table 2-9 Test Interface Pins (DELIC-LC)**

Pin No.	Symbol	In (I) Out (O)	During Reset	After Reset	Function
50	SCANMO	I	I	I	Scan Mode If driven to '1' during device tests, TDI input is used as enable for full scan tests of the DELIC. SCANMO should be tied to GND during normal operation.

## 2.4 Pin Definitions and Functions for DELIC-PB

*Note: The column “During Reset” refers to the time period that starts with activation of  $\overline{RESET}$  input and ends with the deactivation of the  $\overline{RESIND}$  output. During this period, the DELIC’s strap pins (refer to **Table 2-19**) may be driven by external pull-down or pull-up resistors to define DELIC’s configuration. If external pull-down or pull-up resistors are not connected to the strap pins, the value of each strap pin during reset will be determined by an internal pull-up or pull-down resistor, according to the default strap value of each pin.*

*The user must ensure that connected circuits do not influence the sampling of the strap pins during reset.*

*The column “After Reset” describes the behavior of every pin, from the deactivation of the  $\overline{RESIND}$  output until the DELIC’s registers are programmed.*

**Table 2-10 IOM<sup>®</sup>-2 Interface Pins (DELIC-PB)**

Pin No.	Symbol	In (I) Out(O)	During Reset	After Reset	Function
39	FSC	O	O	O	Frame Synchronization Clock (8 kHz) Used for both the IOM-2 and the IOM-2000 interface
40	DCL	O	TEST-Strap (3), (internal pull-up), refer to <b>Table 2-19</b>	O	IOM-2 Data Clock 2.048 MHz or 4.096 MHz
43	DD0	O(OD)	High Z	High Z	Data Downstream IOM-2 Interface Channel0
44	DD1	O(OD)	High Z	High Z	Data Downstream IOM-2 Interface Channel1
41	DU0	I	I	I	Data Upstream IOM-2 Interface Channel 0
42	DU1	I	I	I	Data Upstream IOM-2 Interface Channel 1
45	$\overline{DRDY}$	I	I	I	D- Channel Ready Stop/Go information for D-channel control on S/T interface in LT-T. Affects only IOM-2 port 0. $\overline{DRDY} = 1$ means GO $\overline{DRDY} = 0$ means STOP

**Pin Descriptions**

**Table 2-11 IOM-2000 Interface / LNC Port 1 (DELIC-PB)**

Pin No.	Symbol	In (I) Out (O)	During Reset	After Reset	Function
70	DCL_2000 /  LTSC1/ LRTS1	O  O	O	O	IOM-2000 Data Clock 3.072, 6.144 or 12.288 MHz  LNC1 Tristate Control /Request to Send 2 modes per S/W selectable: 1) TxD output is valid (HDLC mode). Supplies a control signal for an external driver. ('low' when the corresponding TxD-output is valid). 2) 'request-to-send' functionality (Async mode)
69	DX /  LTxD1	O  O (OD)	High Z	High Z	Data Transmit Transmits IOM-2000 data to VIP  LNC Transmit Serial Data Port 1 (HDLC and Async mode).
68	DR /  LRxD1	I  I	I	I	Data Receive Receives IOM-2000 data from VIP  LNC Receive Serial Data Port 1 (HDLC and Async mode).
67	CMD /  LCLK1	O  I/O	High Z	High Z	IOM-2000 Command Transmits DELIC commands to VIP.  LNC Clock Port 1. When configured as output may be driven at the following frequencies: 2.048 MHz, 4.096 MHz, 8.192 MHz, 16.384 MHz
64	STAT /  LCxD1/ LCTS1	I  I	I	I	IOM-2000 Status Receives status information from VIP.  LNC1 Collision Data / Clear to Send 1) Collision Data (HDLC Mode). 2) 'clear-to-send' functionality (Async mode)

**Pin Descriptions**

**Table 2-12 LNC Port 0 (DELIC-PB)**

Pin No.	Symbol	In (I) Out (O)	During Reset	After Reset	Function
62	LRxD0	I	I	I	LNC Receive Serial Data Port 0 (HDLC and Async mode).
61	LTxD0	O (OD)	High Z	High Z	LNC Transmit Serial Data Port 0 (HDLC and Async mode).
60	$\overline{\text{LTSC0}}$ / $\overline{\text{LRTS0}}$	O	$\overline{\text{PLL-}}$ Bypass” strap. Internal pull-up refer to page 2- 28	H	LNC0 Tristate Control / Request to Send  2 modes per S/W selectable: 1) TxD output is valid (HDLC mode). Supplies a control signal for an external driver. ('low' when the corresponding TxD-output is valid). 2) 'request-to-send' functionality (Async mode)
59	$\overline{\text{LCxD0}}$ / $\overline{\text{LCTS0}}$	I	I	I	LNC0 Collision Data / Clear to Send  2 modes per S/W selectable: 1) Collision Data (HDLC Mode). 2) 'clear-to-send' functionality (Async mode)
56	LCLK0	I/O	I	I	LNC Clock Port 0 When configured as output may be driven at the following frequencies: 2.048 MHz, 4.096 MHz, 8.192 MHz, 16.384 MHz

Pin Descriptions

**Table 2-13 Microprocessor Bus Interface Pins (DELIC-PB)**

Pin No.	Symbol	In (I) Out (O)	During Reset	After Reset	Function
25 24 23 22 21 18 17 16	D7 D6 D5 D4 D3 D2 D1 D0	I/O The direction of these pins depends on the value of the following pins: $\overline{CS}$ , $\overline{RD/DS}$ , $\overline{WR}$ / $R/\overline{W}$ and MODE			Data Bus <i>Note: When operated in address/data multiplex mode, this bus is used as a multiplexed AD bus. The Address pins are externally connected to the AD bus.</i>
38 35  33 32 31 30	A6 A5  A3 A2 A1 A0	I	I	I	Address Bus (bits 6 ... 0 except bit 4) <i>Note: When operated in address/data multiplex mode, this bus is used as a multiplexed AD bus. The Data pins are externally connected to the AD bus.</i> <i>Note: In non-DMA mode <math>\overline{DACK}/A4</math> input pin should be connected to A4 of the <math>\mu P</math> address-bus. In DMA mode A4 is internally connected to '0'.</i>
34	A4 $\overline{DACK}/$	I	I	I	DMA Acknowledge  Bit 4 of the address bus, when the DELIC is configured to non-DMA mode. <i>Note: In DMA mode A4 is internally connected to '0'.</i>
11	DREQR	O	CLOCK MASTER Strap (internal pull-down), refer to <b>Table 2-19</b>	L	DMA Request for Receive Direction <i>Note: May be configured to active high or active low (the default is active high)</i>

**Table 2-13 Microprocessor Bus Interface Pins (DELIC-PB) (Continued)**

Pin No.	Symbol	In (I) Out (O)	During Reset	After Reset	Function
10	DREQT	O	EMUL- ATION BOOT Strap (internal pull-down), refer to <b>Table 2-19</b>	L	DMA Request for Transmit Direction <i>Note: May be configured to active high or active low (the default is active high)</i>
12	$\overline{CS}$	I	I	I	Chip Select A "low" on this line selects all registers for read/write operations.
13	$\overline{WR}/$  $R/\overline{W}$	I	I	I	Write (Intel/Siemens Mode) Indicates a write access.  Read/Write (Motorola Mode) Indicates the direction of the data transfer
14	$\overline{RD}/$  $\overline{DS}$	I	I	I	Read (Intel/Siemens Mode) Indicates a read access.  Data Strobe (Motorola Mode) During a read cycle, $\overline{DS}$ indicates that the DELIC should place valid data on the bus. During a write access, $\overline{DS}$ indicates that valid data is on the bus.
15	ALE	I	I	I	Address Latch Enable Controls the on-chip address latch in multiplexed bus mode. While ALE is 'high', the latch is transparent. The falling edge latches the current address. ALE is also evaluated to determine the bus mode ( 'low' = multiplexed, 'high' = demultiplexed)
7	MODE	I	I	I	Bus Mode Selection Selects the $\mu$ P bus mode ( 'low' = Intel/Infineon, 'high' = Motorola)

**Pin Descriptions**
**Table 2-13 Microprocessor Bus Interface Pins (DELIC-PB) (Continued)**

Pin No.	Symbol	In (I) Out (O)	During Reset	After Reset	Function
6	IREQ	O (OD)	High Z (OD)	High Z (OD)	Interrupt Request is programmable to push/pull (active high or low) or open-drain. This signal is activated when the DELIC requests a $\mu$ P interrupt. When operated in open drain mode, multiple interrupt sources may be connected.
5	$\overline{\text{IACK}}$	I	I	I	Interrupt Acknowledge
29	$\overline{\text{RESET}}$	I	I	I	System Reset DELIC is forced to go into reset state.
89	$\overline{\text{RESIND}}$	O	O	O	Reset Indication Indicates that the DELIC is executing a reset. The DELIC remains in reset state for at least $500 \mu\text{s}$ after the termination of the $\overline{\text{RESET}}$ pulse.

**Table 2-14 PCM Interface Ports 0 ... 3 / LNC Ports 2 ... 3 (DELIC-PB)**

Pin No.	Symbol	In (I) Out (O)	During Reset	After Reset	Function
87	PFS	I/O	I	I	PCM Frame Synchronization Clock. 8 kHz/4 kHz when input or 8 kHz when output. <i>Note: When PFS is configured as 4 kHz input, PDC configuration is restricted to 2.048 MHz input.</i>
88	PDC	I/O	I	I	PCM Data Clock (input or output) 2.048 MHz, 4.096 MHz, 8.192 MHz, 16.384 MHz
76	RxD0 / LRxD2	I I	I	I	PCM Receive Data Port 0  LNC Receive Serial Data Port 2 (HDLC and Async mode)
78	TxD0 / LTxD2	O O(OD)	High Z	High Z	PCM Transmit Data Port 0  LNC Transmit Serial Data Port 2 (HDLC and Async mode)

Pin Descriptions

**Table 2-14 PCM Interface Ports 0 ... 3 / LNC Ports 2 ... 3 (DELIC-PB) (Continued)**

Pin No.	Symbol	In (I) Out (O)	During Reset	After Reset	Function
77	$\overline{\text{TSC0}}$ /  $\overline{\text{LTSC2}}$ / $\overline{\text{LRTS2}}$	O  O	$\overline{\text{Reset}}$ Counter Bypass” strap Internal pull-up refer to <b>page 2- 28</b>	H	PCM Tristate Control Port 0 Supplies a control signal for an external driver ('low' when the corresponding TxD-output is valid).  LNC2 Tristate Control / Request To Send  2 modes per S/W selectable: 1) TxD output is valid (HDLC mode). Supplies a control signal for an external driver. ('low' when the corresponding TxD-output is valid). 2) 'request-to-send' functionality (Async mode)
74	RxD2 /  LCxD2/ LCTS2	I  I	I	I	PCM Receive Data Port 2  LNC2 Collision Data 2 modes per S/W selectable: 1) Collision Data (In HDLC Mode). 2) 'clear-to-send' functionality (Async mode)
82	TxD2 /  LCLK2	O  I/O	weak low	weak low	PCM Transmit Data Port 2  LNC External Clock Port 2 When configured as output may be driven at the following frequencies: 2.048 MHz, 4.096 MHz, 8.192 MHz, 16.384 MHz
81	$\overline{\text{TSC2}}$	O	TEST(1) strap refer to <b>page 2- 28</b>	H	PCM Tristate Control Port 2 Supplies a control signal for an external driver ('low' when the corresponding TxD-output is valid).



Pin Descriptions

Table 2-14 PCM Interface Ports 0 ... 3 / LNC Ports 2 ... 3 (DELIC-PB) (Continued)

Pin No.	Symbol	In (I) Out (O)	During Reset	After Reset	Function
75	RxD1 / LRxD3	I I	I	I	PCM Receive Data Port 1  LNC Receive Serial Data Port 3 (HDLC and Async mode)
80	TxD1 / LTxD3	O O(OD)	High Z	High Z	PCM Transmit Data Port 1  LNC Transmit Serial Data Port 3 (HDLC and Async mode)
79	$\overline{\text{TSC1}}$ /  $\overline{\text{LTSC3}}$ / $\overline{\text{LRTS3}}$	O	$\overline{\text{PLL}}$ $\overline{\text{Power-Down}}$ strap Internal pull-up refer to <b>page 2-28</b>	H	PCM Tristate Control Port 1 Supplies a control signal for an external driver ('low' when the corresponding TxD-output is valid).  LNC3 Tristate Control / Request to Send 2 modes per S/W selectable: 1) TxD output is valid (HDLC mode). Supplies a control signal for an external driver. ('low' when the corresponding TxD-output is valid). 2) 'request-to-send' functionality (Async mode)
71	RxD3 /  $\overline{\text{LCxD3}}$ / $\overline{\text{LCTS3}}$	I I	I	I	PCM Receive Data Port 3  LNC3 Collision Data 2 modes per S/W selectable: 1) Collision Data (HDLC Mode). 2) 'clear-to-send' functionality (Async mode)

**Table 2-14 PCM Interface Ports 0 ... 3 / LNC Ports 2 ... 3 (DELIC-PB) (Continued)**

Pin No.	Symbol	In (I) Out (O)	During Reset	After Reset	Function
86	TxD3 /  LCLK3	O  I/O	weak low	weak low	PCM Transmit Data Port 3  LNC External Clock Port 3 When configured as output may be driven at the following frequencies: 2.048 MHz, 4.096 MHz, 8.192 MHz, 16.384 MHz
83	$\overline{\text{TSC3}}$	O	TEST(1) strap refer to <b>page 2-28</b>	H	PCM Tristate Control Port 3 Supplies a control signal for an external driver ('low' when the corresponding TxD output is valid).

**Pin Descriptions**
**Table 2-15 Clock Generator Pins (DELIC-PB) (additionally to IOM/PCM clocks)**

Pin No.	Symbol	In (I) Out (O)	During Reset	After Reset	Function
94	CLK16-XI	I	I	I	16.384 MHz External Crystal Input
95	CLK16-XO	O	O	O	16.384 MHz External Crystal Output
1	DCXOPD	I	I	I	DCXO Power Down and Bypass Activating this input powers down the on-chip DCXO PLL. The input CLK16-XI is used directly as the internal 16.384 MHz clock, and the oscillator and the shaper are bypassed. Required for testing; during normal operation this input should be permanently low ('0').
2	CLK_DSP	I	I	I	External DSP Clock Provides a DSP clock other than 61.44 MHz from an external oscillator.
3	DSP_FRQ	I	I	I	DSP Operational Frequency Selection (e.g. for test purpose) 0: The DSP is clocked internally at 61.44 MHz 1: The DSP clock is driven by the CLK_DSP input pin
48	L1_CLK	O	O	O	Layer-1 Clock 15.36 MHz or 7.68 MHz
28	CLKOUT	O	O	O	General Purpose Clock Output 2.048 MHz, 4.096 MHz, 8.192 MHz, 15.36 MHz or 16.384 MHz
4	XCLK	I	I	I	External Reference Clock Synchronization input from Layer-1 ICs (8 kHz, 512 kHz or 1.536 MHz) This pin is connected to the VIP's REFCLK output at 1.536 MHz.
90	REFCLK	I/O	I	I	Reference Clock Input: Synchronization of DELIC clock system Output: Used to drive a fraction of XCLK to the system clock master (8 kHz or 512 kHz programmable)

**Table 2-16 Power Supply Pins (DELIC-PB)**

Pin No.	Symbol	In (I) Out (O)	During Reset	After Reset	Function
8 19 26 36 46 49 57 65 72 84 91	$V_{DD}$	I	I	I	Power Supply 3.3 V Used for core logic and interfaces in pure 3.3 V environment
9 20 27 37 47 58 66 73 85 92	$V_{SS}$	I	I	I	Digital Ground (0 V)
96 99 100	$V_{DDA}$	I	I	I	Power Supply 3.3 V Analog Logic Used for DCXO and PLL
93 97 98	$V_{SSA}$	I	I	I	Analog Ground Used for DCXO and PLL

**Table 2-17 JTAG and Emulation Interface Pins (DELIC-PB)**

Pin No.	Symbol	In (I) Out (O)	During Reset	After Reset	Function
Used for boundary scan according to IEEE 1149.1					
54	JTCK	I	I	I	JTAG Test Clock Provides the clock for JTAG test logic. Used also for serial emulation interface.
53	TMS	I	I	I	Test Mode Select A '0' to '1' transition on this pin is required to step through the TAP controller state machine.
52	TDI /  SCANEN	I	I	I	Test Data Input In the appropriate TAP controller state test data or a instruction is shifted in via this line. Used also for serial emulation interface. <i>Note: This pin must not be driven to low on the board during reset and operation to ensure functioning of DELIC</i>  SCAN Enable When both SCANMO and SCANEN are asserted, the full-scan tests of DELIC are activated. Not used during normal operation.
51	TDO	O	O	O	Test Data Output In the appropriate TAP controller state test data or an instruction is shifted out via this line. Used also for serial emulation interface.

Pin Descriptions

**Table 2-17 JTAG and Emulation Interface Pins (DELIC-PB) (Continued)**

Pin No.	Symbol	In (I) Out (O)	During Reset	After Reset	Function
55	TRST	I	I	I	Test Reset Provides an asynchronous reset to the TAP controller state machine.
63	DSP_STO P	O	BOOT Strap (intern al pull- down) refer to <b>Table 2-19</b>	O	DSP Stop Pin Stops external logic during breakpoints. Activated when a stop to the DSP is issued.

**Table 2-18 Test Interface Pins (DELIC-PB)**

Pin No.	Symbol	In (I) Out (O)	During Reset	After Reset	Function
50	SCANMO	I	I	I	Scan Mode If driven to '1' during device tests, TDI input is used as enable for full scan tests of the DELIC. SCANMO should be tied to GND during normal operation.

## 2.5 Strap Pin Definitions

**Table 2-19 Strap Pins (Evaluated During Reset)**

Pin No.	Strap Name	Strap Function
DREQR (11)	CLOCK MASTER	<p>0: Clock Slave (default) PDC and PFS are used as inputs. PDC = 2.048 MHz PFS = 4 kHz</p> <p>1: Clock Master PDC and PFS are used as outputs. PDC = 2.048 MHz PFS = 8 kHz</p>
DSP_STOP (63)	$\overline{\text{BOOT}}$	<p>0: The DSP starts running from address <math>\text{FFFE}_{\text{H}}</math>, (default) and executes the <math>\mu\text{P}</math> boot routine.</p> <p>1: The DSP starts running directly from address <math>0000_{\text{H}}</math>. The boot routine is not executed.</p>
DCL (40): $\overline{\text{TSC3}}$ (83): $\overline{\text{TSC2}}$ (81)	TEST (3:1)	<p>111 or Regular Work Mode 110: (default)</p> <p>101 Test mode 1 100 Test mode 2 011 Test mode 3 010 Test mode 4 001 Test mode 5</p>
DREQT (10)	EMULATION BOOT	<p>0: After reset the boot-routine loads the program (default) RAM via the <math>\mu\text{P}</math>-interface (via the general mail- box).</p> <p>1: After reset the boot-routine loads the program RAM via the CDI mail-box (via the JTAG interface).</p>
$\overline{\text{LTSC}}$ (60)	$\overline{\text{PLL}}$ $\overline{\text{BYPASS}}$	<p>0: DSP_CLK input pin (the DSP fall-back clock) is used as source for the 61 MHz clock division chain. (Only for testing).</p> <p>1: The PLL output is used as the source for the (default) 61 MHz clock division chain.</p>

**Table 2-19 Strap Pins (Evaluated During Reset) (Continued)**

$\overline{\text{TSC1}}$ (79)	$\overline{\text{PLL POWER DOWN}}$	<p>0: The PLL is powered-down. (for IDDQ tests)</p> <p>1: The PLL is on. (default)</p>
$\overline{\text{TSC0}}$ (77)	$\overline{\text{RESET COUNTER BYPASS}}$	<p>0: The reset-counter is bypassed, thus the internal reset is the filtered reset. The internal reset lasts 1-2 16 MHz cycles after a deactivation of <math>\overline{\text{RESET}}</math>.</p> <p>1: The internal reset lasts 4-5 8 kHz cycles (&gt; 500 <math>\mu\text{s}</math>) after a deactivation of <math>\overline{\text{RESET}}</math> (default)</p>

*Note: When the strap pins are not driven externally during reset, they are driven by internal pull-ups/pull-downs. To reduce power consumption, the internal pull-up/pull-down resistors are connected only during activated  $\overline{\text{RESET}}$  input. To ensure the default value of the straps, the pins must not be driven during reset. In case of fixed external pull-up/pull-down, a pull-up/pull-down resistance of 10 K $\Omega$  +/-10% is recommended.*



## 3 Interface Description

### 3.1 Overview of Interfaces

The DELIC provides the following system interfaces:

#### IOM-2000 Interface

- A new serial layer 1 interface driving up to three VIP/ VIP8 (Versatile ISDN Port, PEB 20590/ PEB 20591). Each VIP provides eight 2B+D ISDN channels, which can be programmed via IOM-2000 to S/T mode or  $U_{PN}$  mode.

#### IOM-2 (GCI) Interface

- Two standard IOM-2 (GCI) ports with eight 2B+D ISDN channels each, at a data rate of up to 2 x 2.048 Mbit/s. They can be combined to a 4.096 Mbit/s highway.

#### PCM Interface

- Four standard Master/Slave PCM interfaces with up to 32 time slots each, at a data rate of up to 4 x 2.048 Mbit/s. They can be combined to two 4.096 Mbit/s highways or one 8.192 Mbit/s highway. Additionally, 128 time slots of 256 time slots per 8 kHz frame can be transmitted at a rate of 16.384 Mbit/s.

#### Serial Communication Interface (GHDLIC)

- An asynchronous serial port supporting HDLC formatted data frames at a data rate of up to 16.384 Mbit/s.

#### Microprocessor Interface

- A standard 8-bit multiplexed/de-multiplexed  $\mu$ P interface, compatible to Intel/Siemens (e.g. 80386EX, C166) and Motorola (e.g. 68340, 801) bus systems. It includes two separate mailboxes, one for normal data transfer, and one for fast DMA transfers.

#### JTAG Boundary Scan Test Interface

- DELIC provides a standard test interface according to IEEE 1149.1. The 4-bit TAP controller has an own reset input.
- The JTAG pins TDI, TDO and JTCK may also be used as interface for DSP emulation.

### 3.2 IOM-2000 Interface

#### 3.2.1 Overview

The IOM-2000 interface represents a new concept for connecting ISDN layer-1 devices to the DELIC. The transceiver unit (TRANSIU) and the DSP perform the layer-1 protocol, which enables flexible and efficient operation of the transceiver IC (VIP/ VIP8).

VIP/ VIP8 supports two types of ISDN interfaces: 2-wire (ping-pong)  $U_{PN}$  interfaces and 4-wire S/T interfaces. For detailed description please refer to VIP/ VIP8 Data Sheet.

The IOM-2000 interface consists of the following signals:

- **Frame Synchronization:** IOM-2000 uses the same 8 kHz FSC as the IOM-2 ports.
- **Data Interface:** Data is transmitted via DX line from DELIC to VIP with DCL\_2000 rising edge. Data is received via DR line from VIP to DELIC, sampled with DCL\_2000 falling edge.
- **Command/Status Interface:** Configuration and control information of VIP's layer-1 transceivers is exchanged via CMD and STAT lines.
- **Data/Command Clock:** Data and commands for one VIP are transmitted at 3.072 MHz. When DELIC drives 2 or 3 VIPs, the transmission rate is increased.
- **Reference Clock:** In LT-T mode, the VIP provides a reference clock synchronized to the exchange. In LT-S or  $U_{PN}$  mode, DELIC is always the clock master to VIP.

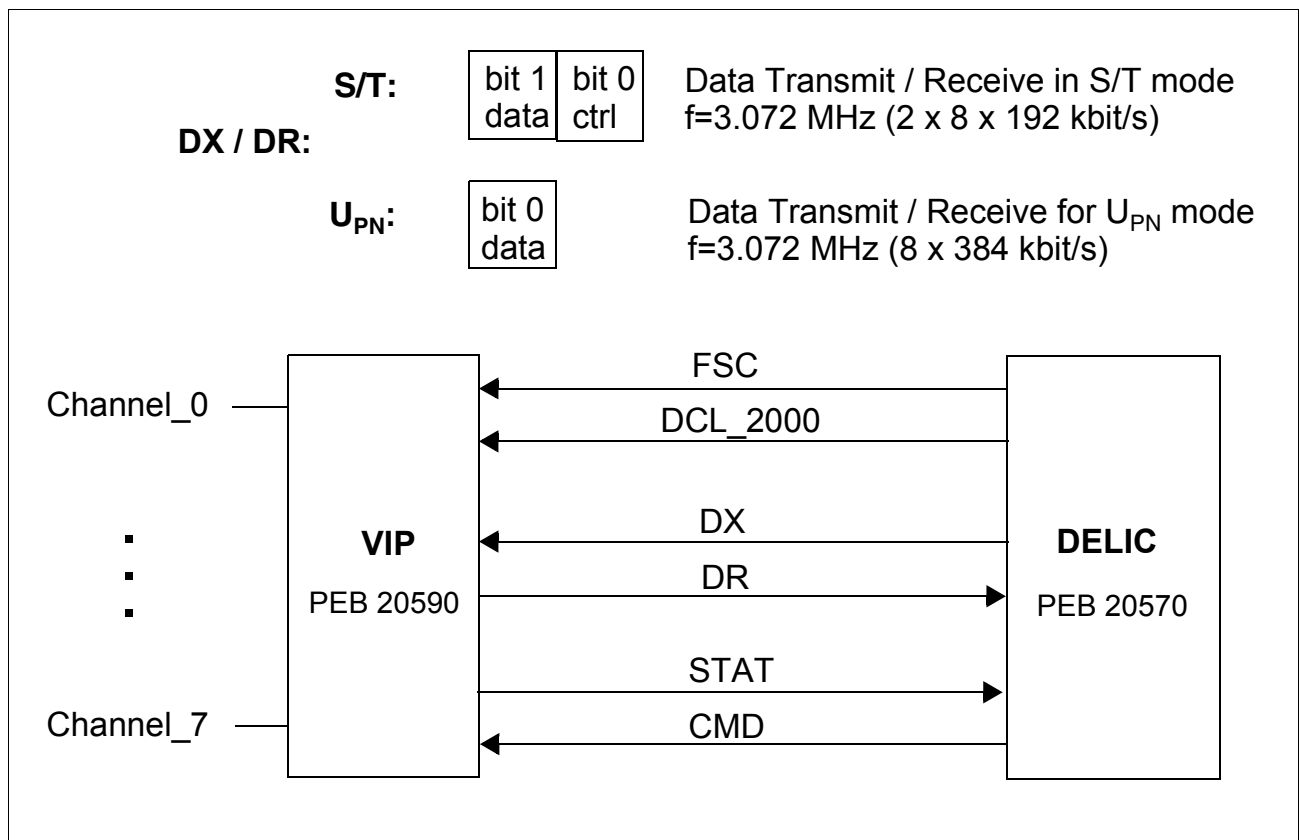


Figure 3-1 Overview of IOM-2000 Interface Structure (Example with One VIP)

### 3.2.2 IOM-2000 Frame Structure

#### 3.2.2.1 Data Interface

On the ISDN line side of the VIP, data is ternary coded. Since the VIP contains logic to detect the level of the signal, only the data value is transferred via IOM-2000 to DELIC.

##### $U_{PN}$ Mode

- In  $U_{PN}$  mode, only data is sent via the IOM-2000 data interface.

##### S/T Mode

- In S/T mode, data and control information is sent via IOM-2000 data interface. Every data bit has a control bit associated with it. Thus, for each S/T line signal, 2 bits are transferred via DX and DR. Bit0 is assigned to the user data, and bit1 carries control information.

**Table 3-1 Control Bits in S/T Mode on DR Line**

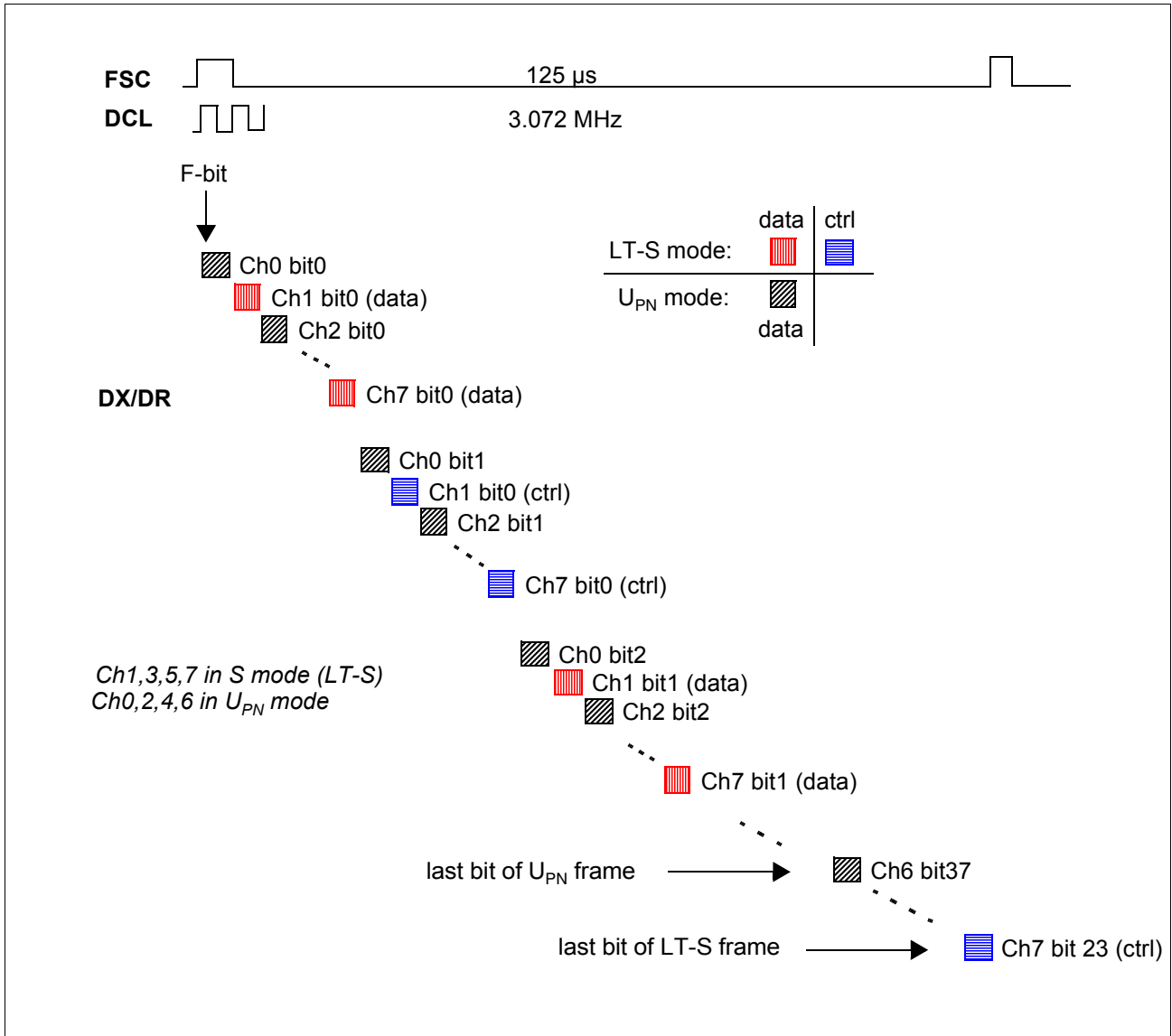
ctrl (bit1)	data (bit0)	Function
0	0	Logical '0' received on line interface
0	1	Logical '1' received on line interface
1	0	Received E-bit = inverted transmitted D-bit ( $E=\bar{D}$ ) (LT-T only)
1	1	F-bit (Framing) received; indicates the start of the S frame

**Table 3-2 Control Bits in S/T Mode on DX Line**

ctrl (bit1)	data (bit0)	Function
0	0	Logical '0' transmitted on line interface
0	1	Logical '1' transmitted on line interface
1	0	not used
1	1	F-bit (Framing) transmitted; indicates the start of the S frame

*Note: 'data' is always transmitted prior to 'ctrl' via DX/DR lines (refer to **Figure 3-2**).*

Interface Description



**Figure 3-2 IOM-2000 Data Sequence (1 VIP with 8 Channels)**

- Note:*
1. Data transfer on IOM-2000 interface always starts with the MSB (related to B channels), whereas CMD and STAT bits transfer always starts with LSB (bit 0) of any register
  2. All registers follow the Intel structure (LSB=2<sup>0</sup>, MSB=2<sup>31</sup>)
  3. Unused bits are don't care ('x')
  4. The order of reception or transmission of each VIP channel is always channel 0 to channel 7. A freely programmable channel assignment of multiple VIPs on IOM-2000 (e.g., ch0 of VIP\_0, ch1 of VIP\_0, ch0 of VIP\_1, ch2 of VIP\_0, ...) is not possible.

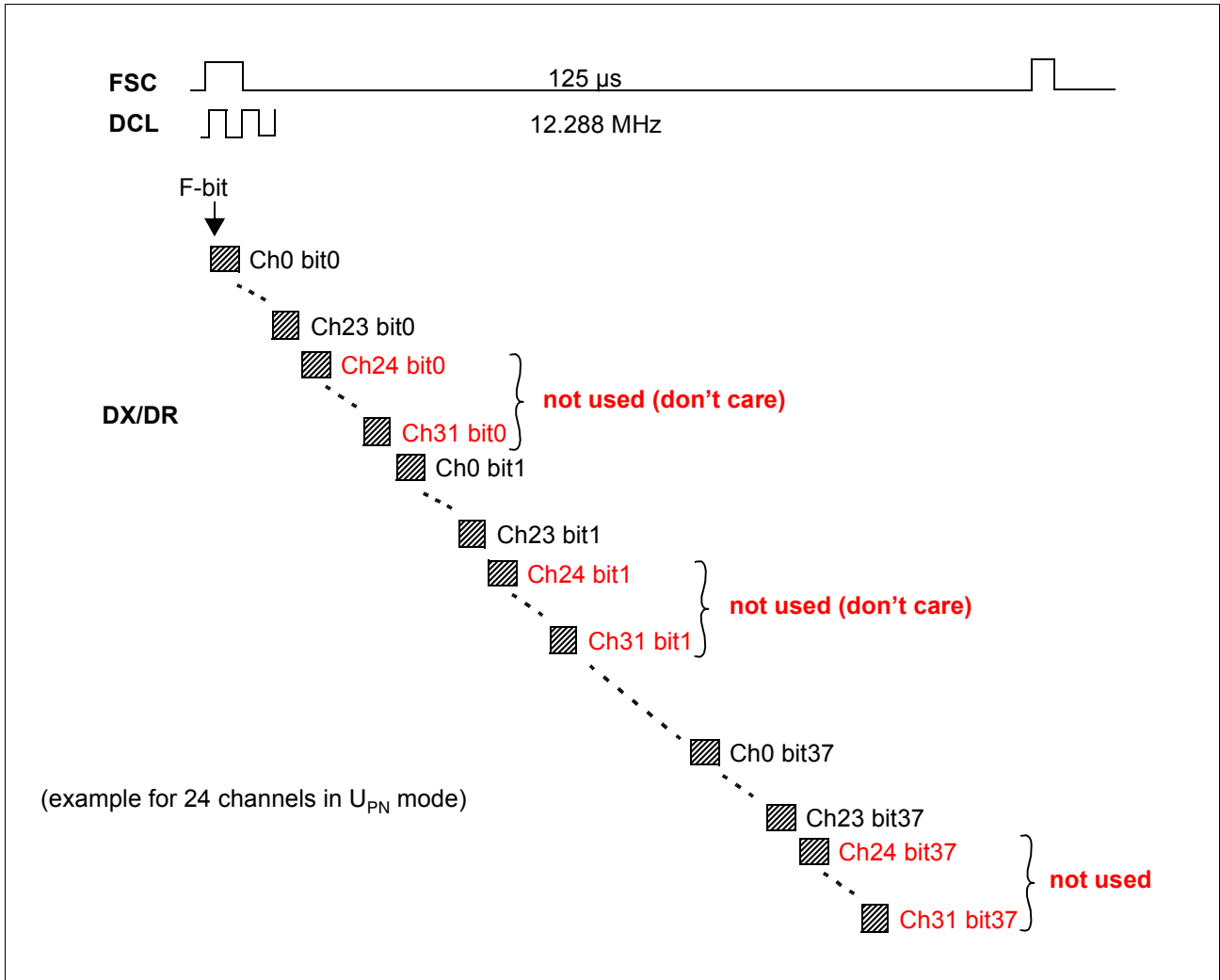


Figure 3-3 IOM-2000 Data Order (3 VIPs with 24 Channels)

### Receive Data Channel Shift

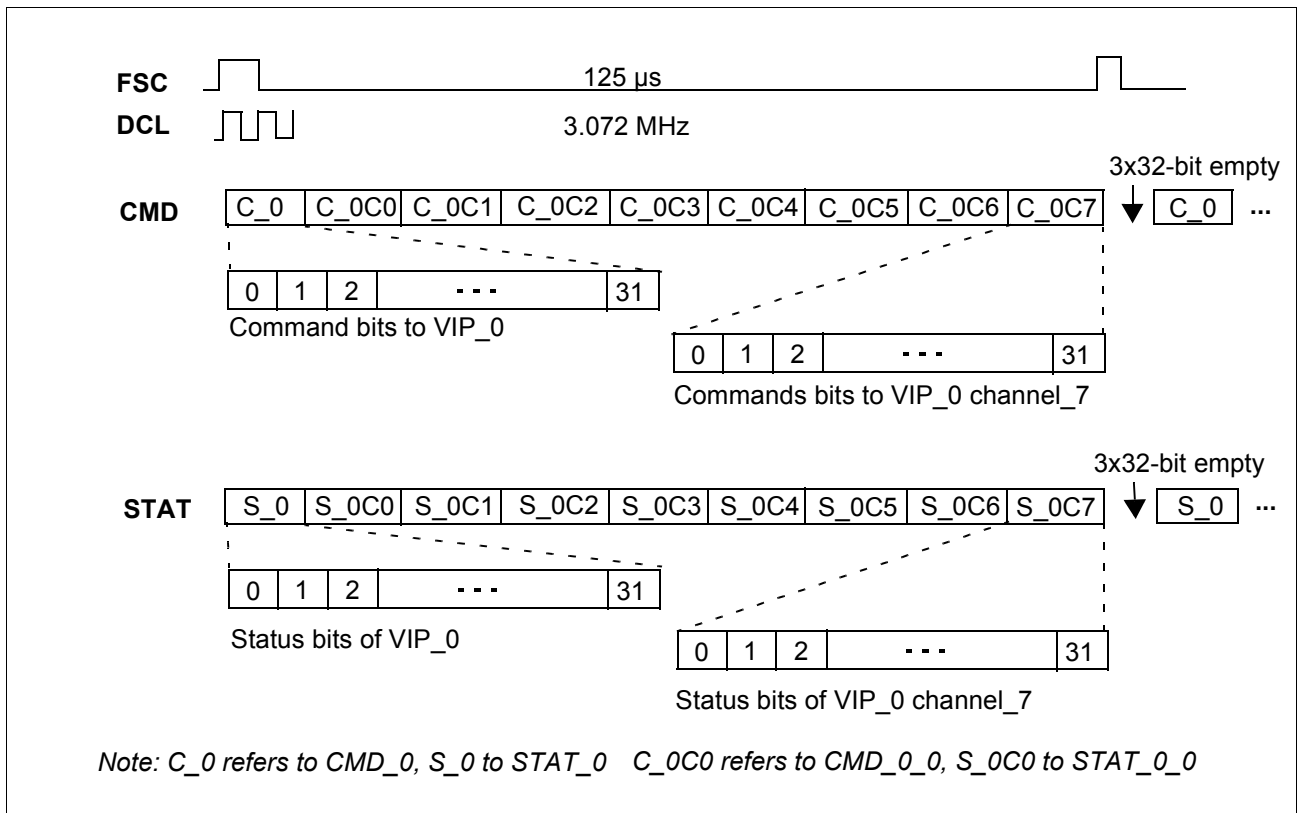
In receive direction (DR), data of all IOM-2000 channels (ch0...7 if one VIP is used, ch0 ... ch23 if three VIPs are used) is shifted by 2 channels with respect to the transmitted data channels (DX), assuming a start of transmission of ch0 bit0 with the FSC signal. DELIC is transmitting ch0, while receiving ch2 via DR the same time, etc.

<b>DX</b>	ch0	ch1	ch2	ch3	ch4	ch5	ch6	ch7	ch0
<b>DR</b>	ch2	ch3	ch4	ch5	ch6	ch7	ch0	ch1	ch2

### 3.2.2.2 Command and Status Interface

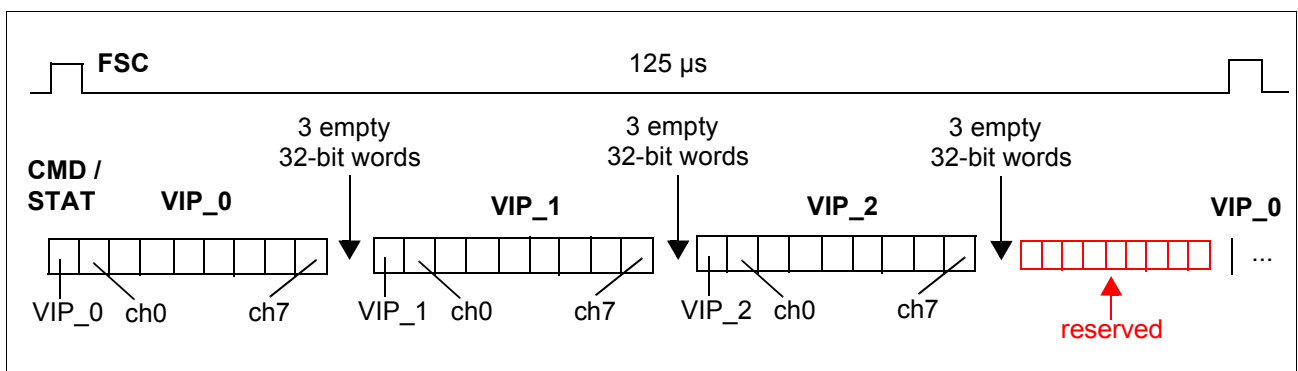
The CMD and STAT lines are the configuration and control interface between DELIC and VIP. The bit streams are partitioned into 32-bit words carrying information *dedicated to the VIPs* (CMD\_0 / STAT\_0) followed by information *dedicated to the individual channels* of the same VIP (CMD\_0\_0 ... CMD\_2\_7 or STAT\_0\_0 ... STAT\_2\_7).

*Note: As opposed to data, command and status bits are sent channel-wise, starting with channel\_0. The transmission clock is the same as the DR/DX data clock.*



**Figure 3-4 IOM-2000 CMD/STAT Handling (1 VIP with 8 Channels)**

*Note: The position of each VIP within the IOM-2000 frame is programmable by two VIP pins (VIP\_ADR0, VIP\_ADR1) to IOM-2000 channels 0..7, 8..15 or 16..23.*

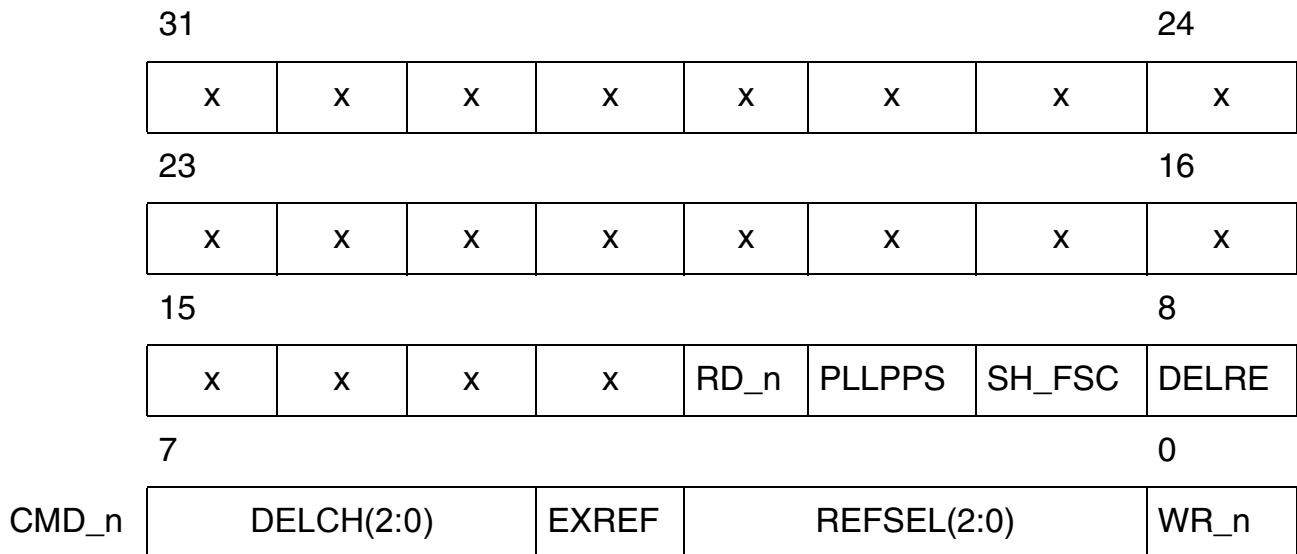


**Figure 3-5 IOM-2000 Command/Status Sequence (3 VIPs with 24 Channels)**

**Interface Description**
**Commands to VIP<sub>n</sub> (CMD<sub>n</sub>, n = 0 ... 2)**

Initialization and control information for each VIP is sent by DELIC in the following sequence every 125 μs via the IOM-2000 CMD line (32 CMD<sub>n</sub> bits per VIP<sub>n</sub>):

*Note: All bits are programmed in VIP Command register (VIPCMR0..2).*


**Commands to VIP<sub>n</sub>, Channel<sub>m</sub> (CMD<sub>n\_m</sub>, m = 0 ... 7)**

Initialization and control information for each VIP channel is sent by DELIC in the following sequence every 125 μs via the IOM-2000 CMD line (32 CMD<sub>n\_m</sub> bits per VIP<sub>n</sub> Channel<sub>m</sub>):

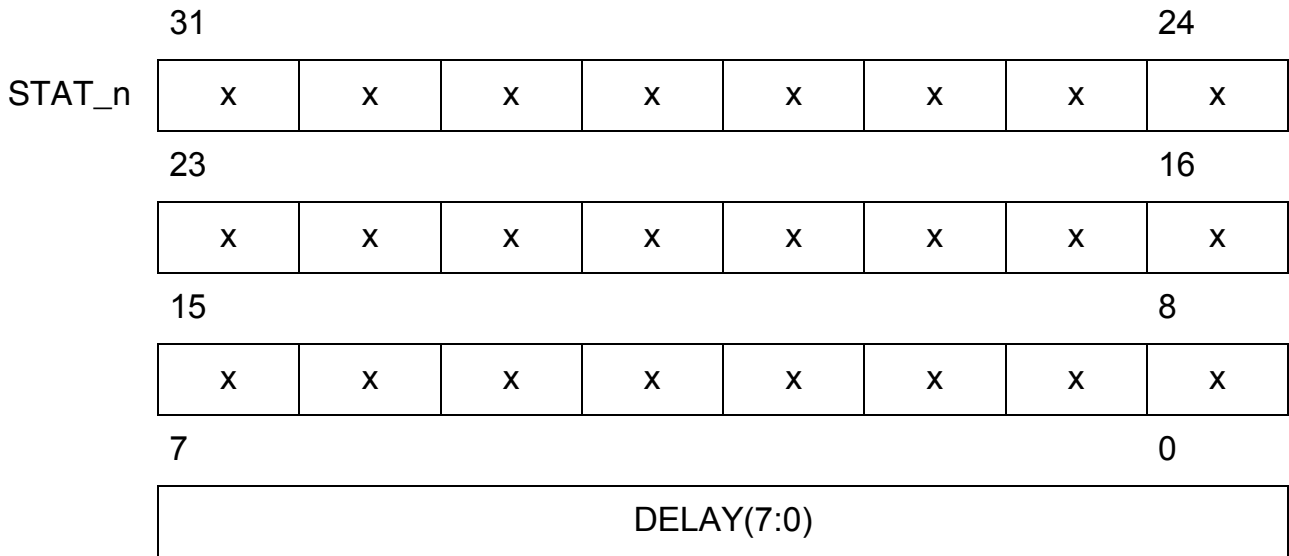
*Note: All bits except WR<sub>ST</sub>, SMINI(2:0) and MSYNC are programmed in TRANSIU Initialization Channel Command register (TICCR); bits WR<sub>ST</sub>, SMINI(2:0) and MSYNC reside in the TRANSIU Tx data RAM.*



Interface Description

**Status from VIP\_n (n = 0 ... 2)**

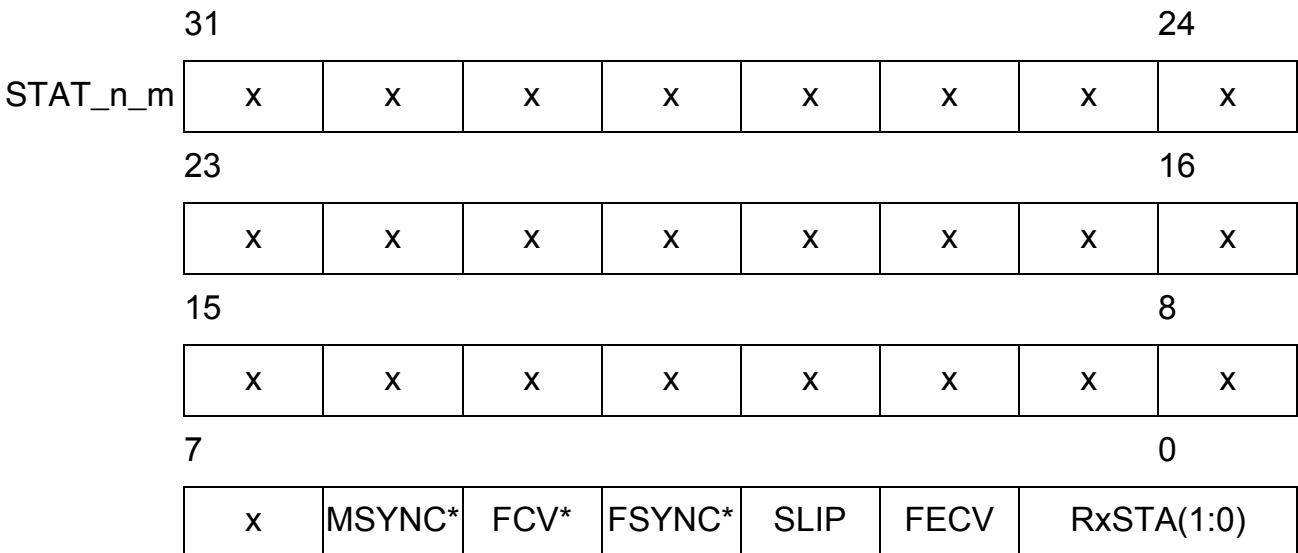
Status information is sent by each VIP in the following sequence via the STAT line (32 STAT\_n bits per VIP\_n):



*Note: Bits DELAY are read from VIP Status register (VIPSTR) in TRANSIU. x = unused*

**Status from VIP\_n, Channel\_m (m = 0 ... 7)**

Status information is sent by each VIP channel in the following sequence via the STAT line (32 STAT\_n\_m bits per VIP\_n Channel\_m):



*Note: Marked bits (\*) are not evaluated by the DELIC, only for VIP testing.  
 Bits SLIP, FECV and are directly accessible in the TRANSIU receive data RAM.  
 x = unused*



### 3.2.3 U<sub>PN</sub> State Machine

#### 3.2.3.1 INFO Structure on the U<sub>PN</sub> Interface

Signals controlling and indicating the internal state of all U<sub>PN</sub> transceiver state machines are called INFOS. Four different INFOS (INFO 0, 1W, 1, 2, 3, 4) may be sent over the U<sub>PN</sub> interface, depending on the actual state (Synchronized, Activated, Pending Activation, ...). When the line is deactivated, INFO 0 (=no signal on the line) is exchanged by the U<sub>PN</sub> transceivers at either end of the line.

When the line is activated, INFO 3 (in upstream direction) and INFO 4 (in downstream direction) are continuously sent. INFO 3 and 4 contain the transmitted data (B1, B2, D, M). INFO 1/2 are used for activation and synchronization.

**Table 3-3 INFO Structure on U<sub>PN</sub> Interface**

Name	Direction	Description
INFO 0	Upstream Downstream	No signal on the line
INFO 1W	Upstream	Asynchronous Wake Signal 4 kHz burst rate F0001000100010001000101010100010111111 Code violation in the framing bit
INFO 1	Upstream	4 kHz burst rate F000100010001000100010101010100010111111M <sup>1)</sup> DC Code violation in the framing bit
INFO 2	Downstream	4 kHz burst rate F000100010001000100010101010100010111111M <sup>1)</sup> Code violation in the frame bit
INFO 3	Upstream	4 kHz burst rate No code violation in the framing bit User data in B, D and M channels B channels scrambled, DC bit <sup>2)</sup> optional
INFO 4	Downstream	4 kHz burst rate No code violation in the framing bit User data in B, D and M channels B channels scrambled, DC bit <sup>2)</sup> optional

*Note:* <sup>1)</sup> The M channel superframe contains:  
*CV code violation* [1 kbit/s (once in every fourth frame)]  
*S bits transparent* [1 kbit/s channel]  
*T bits transparent* [2 kbit/s channel]  
<sup>2)</sup> DC balancing bit; F = Framing bit

### 3.2.3.2 U<sub>PN</sub> Mode State Diagram

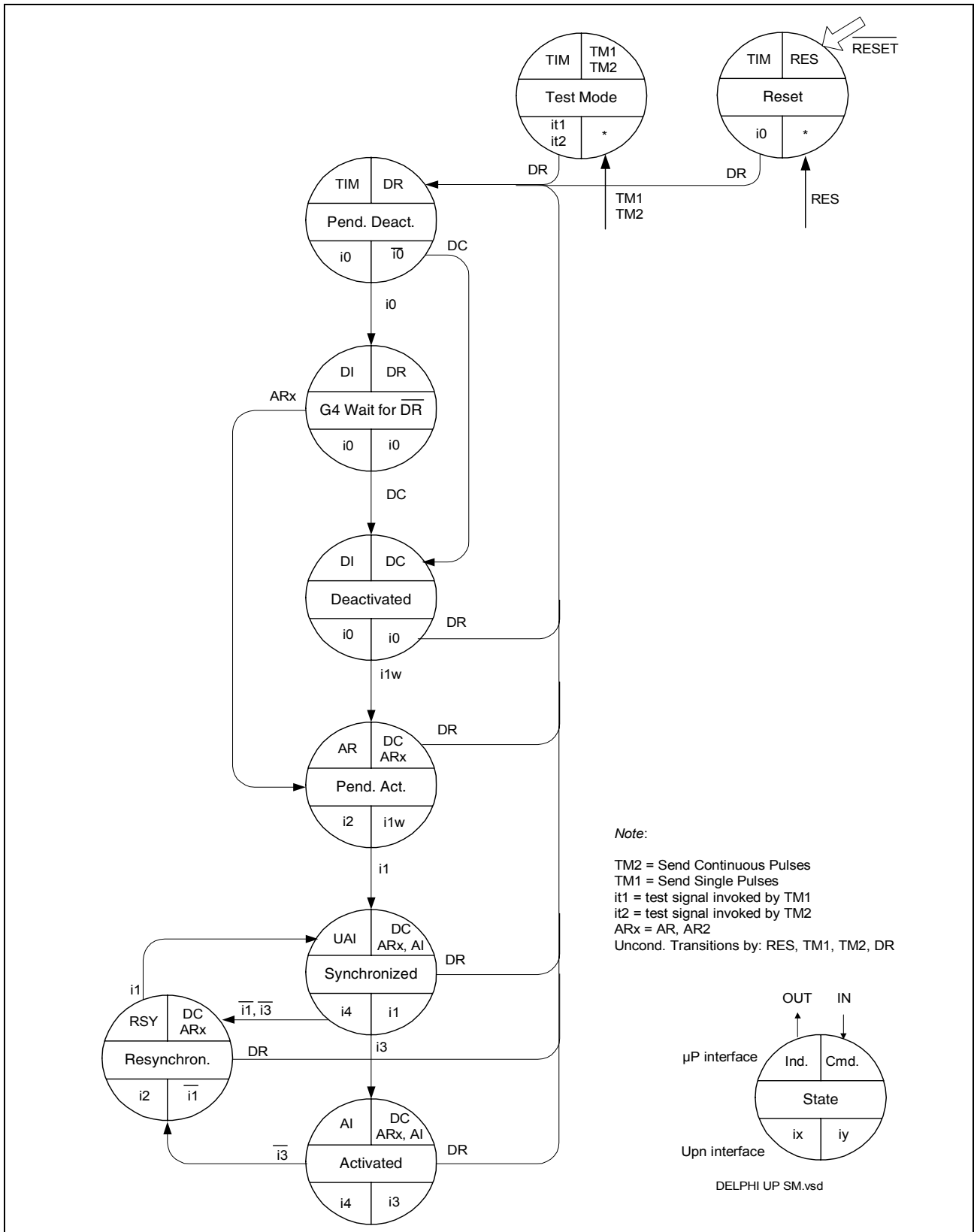


Figure 3-6 U<sub>PN</sub> State Diagram

---

## Interface Description

The  $U_{PN}$  state machine has unconditional and conditional states (refer to **Figure 3-6**):

### Unconditional States

#### **Reset**

This state is entered unconditionally after a low appears on the  $\overline{\text{RESET}}$  pin or after the receipt of command RES (software reset). The analog transceiver part is disabled (transmission of INFO 0) and the  $U_{PN}$  interface awake detector is inactive. Hence, activation from terminal (TE) is not possible.

#### **Test Mode**

The test signal ( $it_1$ ) sent to the  $U_{PN}$  interface in this state is dependant on the command which originally invoked the state. TM1 causes single alternating pulses to be transmitted ( $it_1$ ); TM2 causes continuous alternating pulses to be transmitted ( $it_2$ ). The burst mode technique normally employed on the  $U_{PN}$  interface is suspended in this state and the test signals are transmitted continuously.

#### **Pending Deactivation**

To access any of the conditional states from any of the above unconditional states, the pending deactivation state must be entered. This occurs after the receipt of a DR command. In this state the awake detector is activated and the state is left only when the line has settled (i.e., INFO 0 has been detected for 2 ms) or by the command DC.

*Note: Although DR is shown as a normal command, it may be seen as an unconditional command. No matter which state the LT is in, the reception of a DR command will always result in the pending deactivation state being entered.*

### Conditional States

#### **Wait for $\overline{\text{DR}}$**

This state is entered from the pending deactivation state once INFO 0 or DC has been identified. From here the line may be either activated, deactivated or a test loop may be entered.

#### **Deactivated**

This is the power down state of the physical protocol. The awake detection is active and the device will respond to an INFO 1w (wake signal) by initiating activation.

### Pending Activation

This state results from a request for activation of the line, either from the terminal (INFO 1w) or from the layer-2 device (AR, AR2). INFO 2 is then transmitted and the DSP waits for the responding INFO 1 from the remote device.

### Synchronized

This state is reached after synchronization upon the receipt of INFO 1, i.e. after a maximum of 10 ms. In this state, INFO 2 is supplied to the remote terminal for synchronization.

### Activated

Info 1 has a code violation in the framing bit (F-bit), whereas INFO 3 has none. Upon the reception of two frames without a code violation in the F bit, the activated state is entered and INFO 4 is transmitted. The line is now activated; INFO 4 is sent to the remote and INFO 3 is received from the remote.

### Re synchronization

If the recognition of INFO 3 fails, the receiver will attempt to resynchronize. Upon entering this state, INFO 2 is transmitted. This is similar to the original synchronization procedure in the pending activation state (the indication given to layer 2 is different). However, as before, recognition of INFO 1 leads to the synchronized state.

**Table 3-4 U<sub>PN</sub> State Machine Codes**

Command	Abbr.	Code	Remark
Deactivate request	DR	0000	Initiates a complete deactivation from the exchange side by transmitting INFO 0 (x)
Reset	RES	0001	(x)
Test mode 1	TM1	0010	Transmission of pseudo-ternary pulses at 2 kHz frequency (x)
Test mode 2	TM2	0011	Transmission of pseudo-ternary pulses at 192 kHz frequency (x)
Activate request	AR	1000	Used to start an exchange initiated activation
Activate request test loop 2	AR2	1010	Transmission of INFO 2, switching of loop 2 (at TE), T bit set to one

**Interface Description**
**Table 3-4 U<sub>PN</sub> State Machine Codes (Continued)**

Command	Abbr.	Code	Remark
Activate indication = "blocked"	AI	1100	Transmission of INFO 4, T bit set to zero
Deactivate confirmation	DC	1111	Deactivation acknowledgement, quiescent state

(x) unconditional commands

*Note: The U<sub>PN</sub> state machine does not support loops. So neither C/I commands nor Indications are provided by the mailbox protocol.*

*An loop can be programmed by setting bits TICCMR:LOOP and TICCMR:EXLP for the respective channel.*

Indication	Abbr.	Code	Remark
Timing	TIM	0000	Deactivate state, activation from the line not possible
Resynchronizing	RSY	0100	Receiver is not synchronous
Activate request	AR	1000	INFO 1w received
U only activation indication	UAI	0111	INFO 1 received, synchronous receiver
Activate indication	AI	1100	Receiver synchronous, i.e., activation completed
Deactivate indication	DI	1111	INFO 0 or DC received after deactivation request

### 3.2.4 S/T State Machine

A finite state machine in the DELIC controls the VIP S/T line activation/deactivation procedures and transmission of special pulse patterns. Such actions can be initiated by primitives (INFOS) on the S/T interface or by C/I codes sent via the mailbox.

Depending on the application mode and the transfer direction, the S/T state machines support different codes in conditional and unconditional states:

#### LT-S mode

Codes: data downstream = Commands: reset, test mode, activate req, ..  
 data upstream = Indications: not sync, code violation, timer out, ..

States: deactivated, activated, pending, lost framing, test mode

The state diagram is shown in **Figure 3-7**.

#### LT-T mode

Codes data upstream = Commands: reset, test, activate request,..  
 data downstream = Indications: command x acknowledged,..

Conditional states: power up, pending deactivation, synchronized, slip detected,..

The state diagram is shown in **Figure 3-8**.

Unconditional states may be entered from any conditional state and should be left with the command TIM: test mode, reset state,..

The S/T layer-1 activation and deactivation procedures implemented in the DELIC are similar to the ones implemented in the PEB 2084, QUAT-S.

#### 3.2.4.1 LT-S Mode

**Table 3-5 LT-S State Machine Codes**

Command	Abbr.	Code	Remark
Deactivate request	DR	0000	Initiates a complete deactivation from the exchange side by transmitting INFO 0 (x)
Reset	RES	0001	(x)
Test mode 1	TM1	0010	Transmission of pseudo-ternary pulses at 2 kHz frequency (x)
Test mode 2	TM2	0011	Transmission of pseudo-ternary pulses at 96 kHz frequency (x)

**Interface Description**
**Table 3-5 LT-S State Machine Codes (Continued)**

<b>Command</b>	<b>Abbr.</b>	<b>Code</b>	<b>Remark</b>
Activate request	AR	1000	Used to start an exchange initiated activation
Deactivate confirmation	DC	1111	Deactivation acknowledgement, quiescent state

(x) unconditional commands

*Note: The LT-S state machine does not support loops. So neither C/I commands nor Indications are provided by the mailbox protocol.*

*A loop can be programmed by setting bits TICCMR:LOOP and TICCMR:EXLP for the respective channel.*

<b>Indication</b>	<b>Abbr.</b>	<b>Code</b>	<b>Remark</b>
Timing	TIM	0000	
Resynchronizing	RSY	0100	Receiver is not synchronous
Activate request	AR	1000	INFO 0 received
Code violation received	CVR	1011	After each multi-frame the reception of at least one illegal code violation is indicated four times
Activate indication	AI	1100	Receiver synchronous, i.e., activation completed
Deactivate indication	DI	1111	Timer (32 ms) expired or INFO 0 received after deactivation request

Interface Description

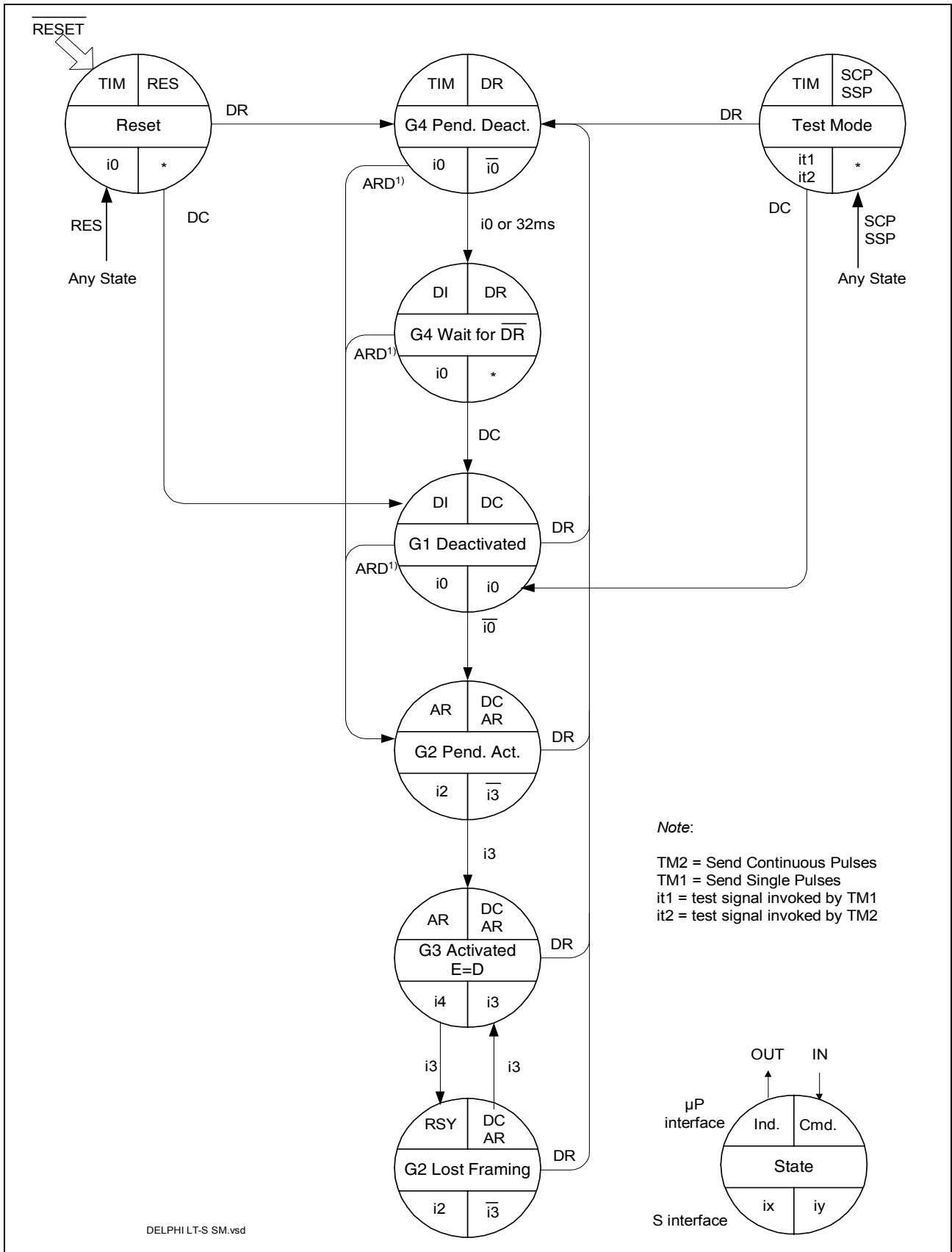


Figure 3-7 State Diagram of LT-S Mode



## LT-S Mode States

- **G1 deactivated**  
The line interface is not transmitting. There is no signal detected on the S interface, and no activation command is received.
- **G2 pending activation**  
As a result of an INFO 1 detected on the S line or an AR command, the line interface begins transmitting INFO 2 and waits for reception of INFO 3. The timer to supervise reception of INFO 3 is to be implemented in software. In case of an ARL command, loop 2 is closed.
- **G3 activated**  
Normal state where INFO 4 is transmitted to the S interface. The line interface remains in this state as long as neither a deactivation nor a test mode is requested, and the receiver does not lose synchronism. When receiver synchronism is lost, INFO 2 is sent automatically. After reception of INFO 3, the transmitter continues sending INFO 4.
- **G2 lost framing**  
This state is reached when the line interface has lost synchronism in the state G3 activated.
- **G4 pending deactivation**  
This state is triggered by a deactivation request DR. It is an unstable state: status DI (state "G4 wait for DR") is issued by the DELIC when either INFO 0 is received, or an internal timer of 32 ms expires.
- **G4 wait for DR**  
Final state after a deactivation request. The line interface remains in this state until a response to DI (in other words DC) is issued.
- **Test mode 1**  
Single alternating pulses are sent on the S interface (2 kHz repetition rate).
- **Test mode 2**  
Continuous alternating pulses are sent on the S interface (96 kHz).

**3.2.4.2 LT-T Mode**
**Table 3-6 LT-T Mode State Machine Codes (Conditional States)**

Command	Abbr.	Code	Remark
Timing Request	TIM	0000	Requests the line interface to change into power-up state
Reset	RES	0001	Reset of state machine. Transmission of Info 0. No reaction to incoming infos (x)
Test mode 1	TM1	0010	Transmission of single pulses on the S/T-interface. The pulses are transmitted with alternating polarity at a frequency of 2 kHz. (x)
Test mode 2	TM2	0011	Transmission of continuous pulses on the S/T-interface. The pulses are sent with alternating polarity at a rate of 96 kHz. TM2 is an unconditional command (x).
Activate request, priority 8	AR8	1000	Activation Request with priority 8 for D-channel transmission. This command is used to start a LT-T initiated activation. D-channel priority 8 is the highest priority. It should be used to request signaling information transfer.
Activate request, priority 10	AR10	1001	Activation request with priority 10 for D-channel transmission. This command is used to start a LT-T initiated activation. D-channel priority 10 is a lower priority. It should be used to request packet data transfer.
Deactivate indication	DI	1111	This command forces the line interface into "F3 power down" mode.

(x) unconditional commands

*Note: The LT-T state machine does not support loops. So neither C/I commands nor Indications are provided by the mailbox protocol.  
A loop can be programmed by setting bits TICCMR:LOOP and TICCMR:EXLP for the respective channel.*

**Interface Description**

<b>Indication</b>	<b>Abbr.</b>	<b>Code</b>	<b>Remark</b>
Deactivate request	DR	0000	Deactivation request if left from F7/F8
Reset	RES	0001	Reset acknowledge
Test mode 1	TM1	0010	TM1 acknowledge
Test mode 2	TM2	0011	TM2 acknowledge
Slip detected	SLIP	0011	Frame wander larger than +/- 25 $\mu$ s
Resynchronization during level detect	RSY	0100	Signal received, receiver not synchronous
Power up	PU	0111	Line interface is powered up
Activate request	AR	1000	INFO 2 received
Code violation received	CVR	1011	After each multiframe the reception of at least one illegal code violation is indicated four times.
Activate indication with priority class 8	AI8	1100	INFO 4 received, D-channel priority is 8 or 9
Activate indication with priority class 10	AI10	1101	INFO 4 received, D-channel priority is 10 or 11
Deactivate confirmation	DC	1111	Line interface is powered down

Interface Description

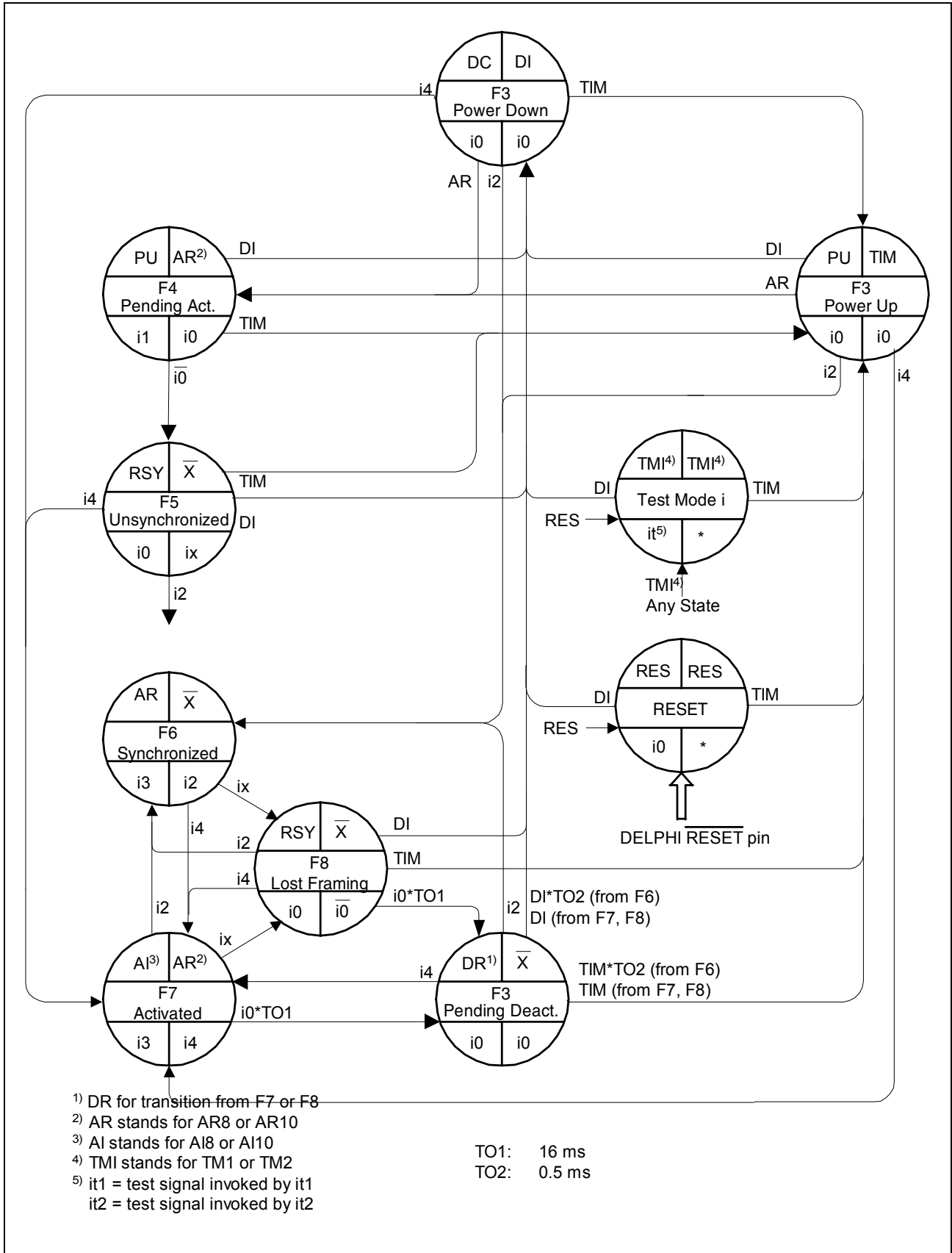


Figure 3-8 LT-T Mode State Diagram (Conditional and Unconditional States)

### LT-T Mode (Conditional States)

- **F3 power down**  
This is the deactivated state of the physical protocol. The receive line awake unit is active.
- **F3 power up**  
This state is similar to “F3 power down”. The state is invoked by a Command TIM = “0000” (or DI static low).
- **F3 pending deactivation**  
The line interface reaches this state after receiving INFO 0 (from states F5 to F8). From this state an activation is only possible from the line (transition “F3 pending deactivation” to “F5 unsynchronized”). The power down state may be reached only after receiving DI.
- **F4 pending activation**  
Activation has been requested from the terminal; INFO 1 is transmitted; INFO 0 is still received; “Power Up” is transmitted in the C/I channel. This state is stable: timer T3 (ITU I.430) is to be implemented in software.
- **F5/8 unsynchronized**  
At the reception of any signal the VIP ceases to transmit INFO 1, adapts its receiver circuit, and awaits identification of INFO 2 or INFO 4. This state is also reached after the line interface has lost synchronism in the states F6 or F7 respectively.
- **F6 synchronized**  
When the VIP receives an activation signal (INFO 2), it responds with INFO 3 and waits for normal frames (INFO 4).
- **F7 activated**  
This is the normal active state with the layer 1 protocol activated in both directions. From state “F6 synchronized”, state F7 is reached almost 0.5 ms after reception of INFO 4.
- **F7 slip detected**  
When a slip is detected between the T interface clocking system and the IOM-2 interface clocks (phase wander of more than 25  $\mu$ s, data may be disturbed) the line interface enters this state, synchronizing again the internal buffer. After 0.5 ms this state is relinquished.

**LT-T Mode (Unconditional States)**

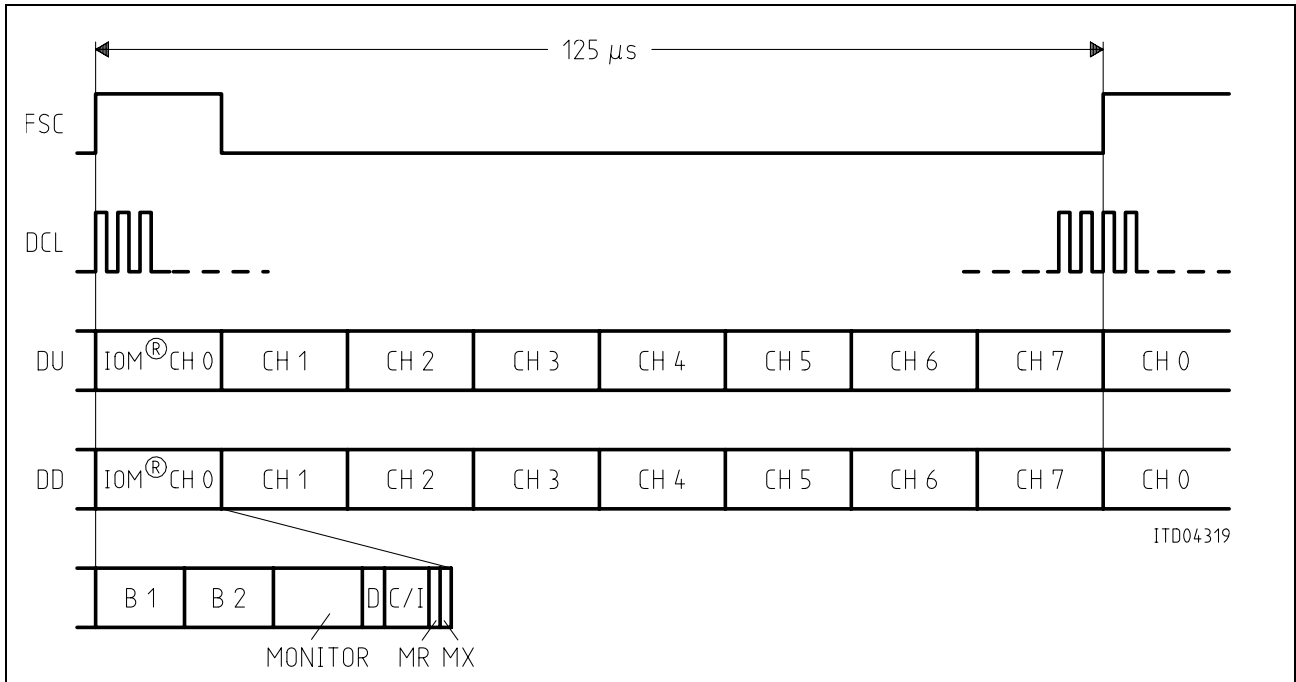
The unconditional states should be left with the command TIM.

- Test mode 1  
Single alternating pulses are sent on the T interface (2 kHz repetition rate).
- Test mode 2  
Continuous alternating pulses are sent on the T interface (120 kHz).
- Reset state  
A hardware or software reset (RES) forces the line interface to an idle state where the analog components are disabled (transmission of INFO 0) and the T line awake detector is inactive.

### 3.3 IOM<sup>®</sup>-2 Interface

IOM-2 is a standardized interface for interchip communication in ISDN line cards for digital exchange systems developed by ALCATEL, Siemens, Plessey and ITALTEL.

The IOM-2 interface is a four-wire interface with a bit clock, a frame clock and one data line per direction. It has a flexible data clock. This way, data transmission requirements are optimized for different applications.



**Figure 3-9 IOM<sup>®</sup>-2 Interface in Digital Linecard Mode**

*Note: In Linecard mode, 8 identical IOM-2 subchannels are provided. In analog Linecards, a 6-bit C/I Channel is available for signaling information. In digital Linecards, a dedicated 2-bit D-channel carries the signaling information.*

#### 3.3.1 Signals / Channels

FSC	Frame Synchronization Clock, 8 kHz
DCL	Data Clock, up to 4.096 MHz *)
DD	Data Downstream, up to 4.096 Mbit/s *)
DU	Data Upstream, up to 4.096 Mbit/s *)
B1, B2	User data channels, 64 kbit/s each
MONITOR	Monitor Channel
D	Signaling Channel, 16 kbit/s
C/I	Command/Indication Channel
MR	Monitor Receive handshake signal
MX	Monitor Transmit handshake signal

\*) For detailed clock and data rates, refer to IOMU feature description in **Chapter 4.3.2**

### 3.4 $\mu$ P Interface

The  $\mu$ P interface may be operated in different modes. This chapter describes how to configure the DELIC to each mode.

#### 3.4.1 Intel/Siemens or Motorola Mode

The processor mode is selected by the MODE input pin of the DELIC. "Low" level selects Siemens/ INTEL mode, "HIGH" level selects Motorola mode.

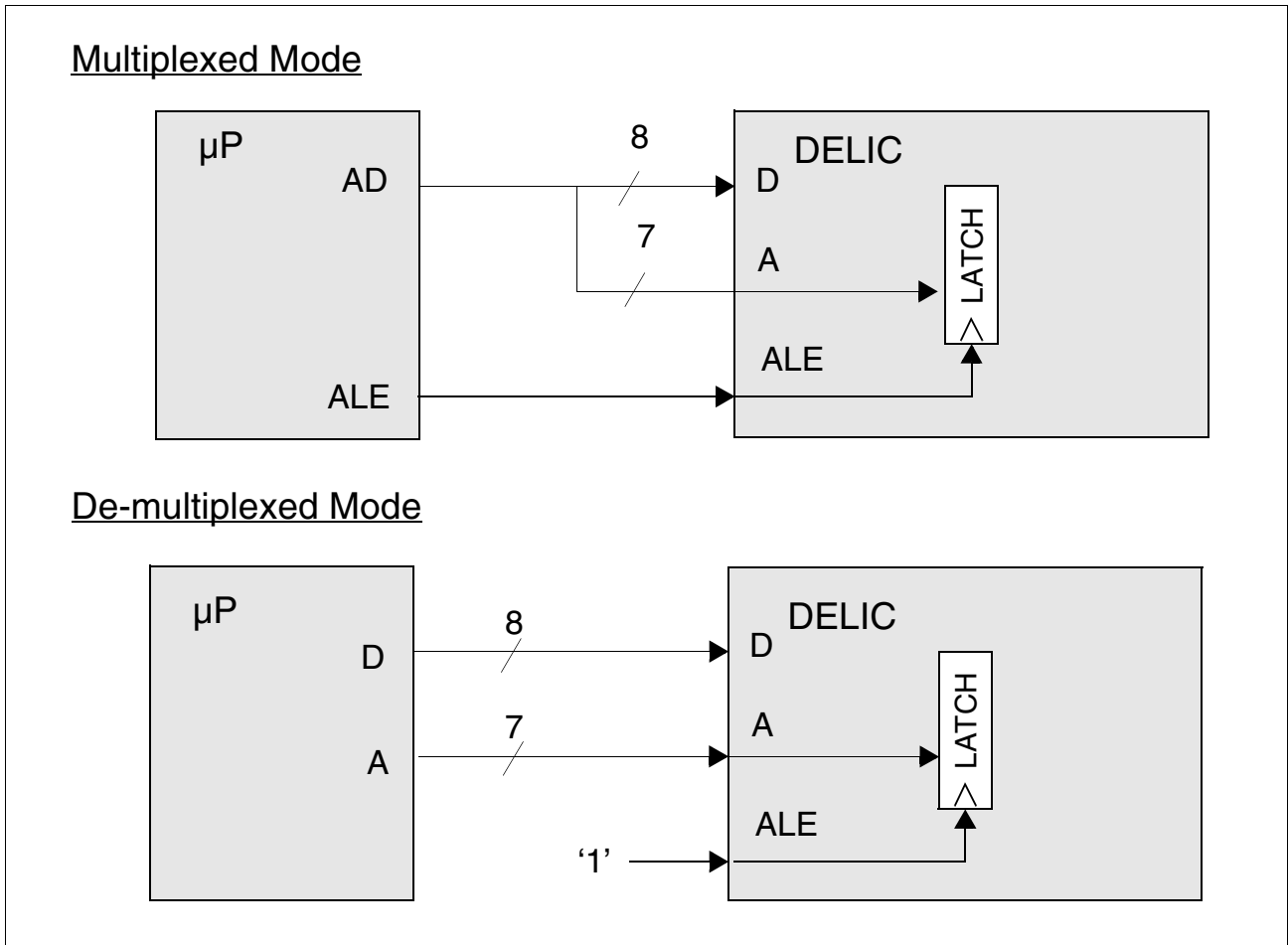
#### 3.4.2 De-multiplexed or Multiplexed Mode

In both modes, the A-bus and the D-bus are used in parallel. The A-bus should be connected to the 8 LSBs of AD-bus, coming from the  $\mu$ P, also in multiplexed mode. The mode is determined according to the ALE input pin. When ALE is permanently driven to '1', the DELIC works in de-multiplexed mode. Otherwise the DELIC works in multiplexed mode.

The next figure describes the connection of the DELIC to the address and data buses in the different modes.

*Note: Motorola mode is used only with de-multiplexed AD bus. Intel/Infineon mode may be used with both, multiplexed or de-multiplexed AD bus.*





**Figure 3-10 DELIC in Multiplexed and in De-multiplexed Bus Mode**

*Note: In both modes only the 7 LSBs of A-bus or AD/bus are connected to the Address inputs of the DELIC. In DMA mode  $\overline{DACK/A4}$  input pin is used as  $\overline{DACK}$ , and A4 is internally driven to '0'. In this case A4 of the μP A/AD-bus is also not connected to the DELIC.*

### 3.4.3 DMA or Non-DMA Mode

The internal interface between the on-chip DSP and μP is established by two Mailboxes: a 'general' Mailbox and a dedicated DMA Mailbox. The non-DMA mode provides the option to combine them together building a double-sized 'general' Mailbox. The DELIC is configured to DMA or non-DMA mode by a dedicated bit in the μP interface configuration register (MCFG:DMA).

#### DMA Mode

The DMA Mailbox can be accessed only by a DMA controller. The  $\overline{DACK}$  input pin (together with the  $\overline{RD}$  and  $\overline{WR}$  signals) is used to access the DMA Mailbox. Only the general Mailbox can be accessed directly by the μP. In DMA mode, the pin  $\overline{DACK/A4}$  is

---

## Interface Description

used as  $\overline{\text{DACK}}$ , and A4 of the A-bus or AD-bus coming from the  $\mu\text{P}$  must not be used as an address line for the DELIC. In this case A4 is driven internally to '0'.

*Note: In de-multiplexed mode AD4 should be connected to DELIC's D4input pin.*

### Non-DMA mode

This is the default mode (after reset). The general Mailbox and the DMA Mailbox data registers are concatenated into one double-sized general Mailbox, accessible by the  $\mu\text{P}$ . This broad Mailbox consists of a dedicated  $\mu\text{P}$  Mailbox and a DSP Mailbox. Each of them contains 32 data bytes and 1 command byte. In non-DMA mode,  $\overline{\text{DACK}}/\text{A4}$  is used as A4, in order to include the DMA Mailbox data registers in the  $\mu\text{P}$  interface address space.

### 3.4.4 DELIC External Interrupts

The DELIC contains only one source for an external interrupt - the general Mailbox. This interrupt source is the OCMD register of the DSP Mailbox. Releasing the interrupt is done by the  $\mu\text{P}$  resetting bit OBUSY:BUSY. Masking it may be done by resetting the MASK bit of the  $\mu\text{P}$  interface Configuration Register (MCFG:IMASK).

The interrupt vector issued is the contents of the DSP Mailbox command register MCMD. In Motorola mode, the interrupt vector is issued upon the first  $\overline{\text{IACK}}$  pulse, while in Siemens/Intel mode it is issued upon the second  $\overline{\text{IACK}}$  pulse. In the latter case, the interrupt vector due to the first  $\overline{\text{IACK}}$  pulse (if needed), should be issued by an external interrupt controller.

### 3.5 JTAG Test Interface

The DELIC provides fully IEEE Standard 1149.1 compatible boundary scan support to allow cost effective board testing. It consists of:

- Complete boundary scan test
- Test access port controller (TAP)
- Five dedicated pins: JTCK, TMS, TDI, TDO (according to JTAG) and an additional TRST pin to enable asynchronous resets to the TAP controller
- One 32-bit IDCODE register

#### 3.5.1 Boundary Scan Test

- Depending on the pin functionality one or two boundary scan cells are provided.

Pin Type	Number of Boundary Scan Cells	Usage
Input	1	Input
Output	2	Output, enable

When the TAP controller is in the appropriate mode data is shifted into/out of the boundary scan via the pins TDI/TDO using a clock of up to 6.25 MHz on pin JTCK.

The sequence of the DELIC pins can be taken from the BSDL files.

#### 3.5.2 TAP Controller

The Test Access Port (TAP) controller implements the state machine defined in the JTAG standard IEEE 1149.1. Transitions on the pin TMS cause the TAP controller to perform a state change.

The TAP controller supports a set of 5 standard instructions:

**Table 3-7 TAP Controller Instruction Codes**

Code	Instruction	Function
0000	EXTEST	External testing
0001	INTEST	Internal testing
0010	SAMPLE/PRELOAD	Snap-shot testing
0011	IDCODE	Reading ID code register
1111	BYPASS	Bypass operation

**EXTEST** is used to verify the board interconnections.

When the TAP controller is in the state “update DR”, all output pins are updated with the falling edge of JTCK. When it has entered state “capture DR” the levels of all input pins

**Interface Description**

are latched with the rising edge of JTCK. The in/out shifting of the scan vectors is typically done using the instruction SAMPLE/PRELOAD.

**INTEST** supports internal chip testing.

When the TAP controller is in the state “update DR”, all inputs are updated internally with the falling edge of JTCK. When it has entered state “capture DR” the levels of all outputs are latched with the rising edge of JTCK. The in/out shifting of the scan vectors is typically done using the instruction SAMPLE/PRELOAD.

*Note: 0011 (IDCODE) is the default value of the instruction register.*

**SAMPLE/PRELOAD** provides a snap-shot of the pin level during normal operation or is used to either preload (TDI) or shift out (TDO) the boundary scan test vector. Both activities are transparent to the system functionality.

**IDCODE**

The 32-bit identification register is serially read out via TDO. It contains the version number (4 bits), the device code (16 bits) and the manufacturer code (11 bits). The LSB is fixed to '1'. The code for the DELIC version 1.1 is '0001'.

Version	Device Code	Manufacturer Code	Output
0001	0000 0000 0101 0111	0000 1000 001	1 --> TDO

*Note: In the state “test logic reset” the code “0011” is loaded into the instruction code register.*

**BYPASS**, a bit entering TDI is shifted to TDO after one JTCK clock cycle, e.g. to skip testing of selected ICs on a printed circuit board.

## 4 Functional Description

As the functionality of the DELIC-PB comprises the functionality of the DELIC-LC, the following chapter describes the functionality of the DELIC-PB. The Differences between the two chip versions can be seen below:

**Table 4-1 Differences between DELIC-LC - DELIC-PB**

<b>Functionality</b>	<b>DELIC-LC</b>	<b>DELIC-PB</b>
GHDLC channels (maximum configuration)	Cha. 0	Cha. 0..3
HDLC channels (maximum configuration)	Cha. 0..23	Cha. 0..31
DMA interface	not available	available
DMA- mailbox	not available; it is used to increment the general mailbox	can be used for DMA operation or as general mailbox
Pinout		
Free programmability of DSP-system	no	yes

*Note: As the functionality is also dependent on the firmware package, please also refer to the respective documentation.*

### 4.1 Functional Overview and Block Diagram

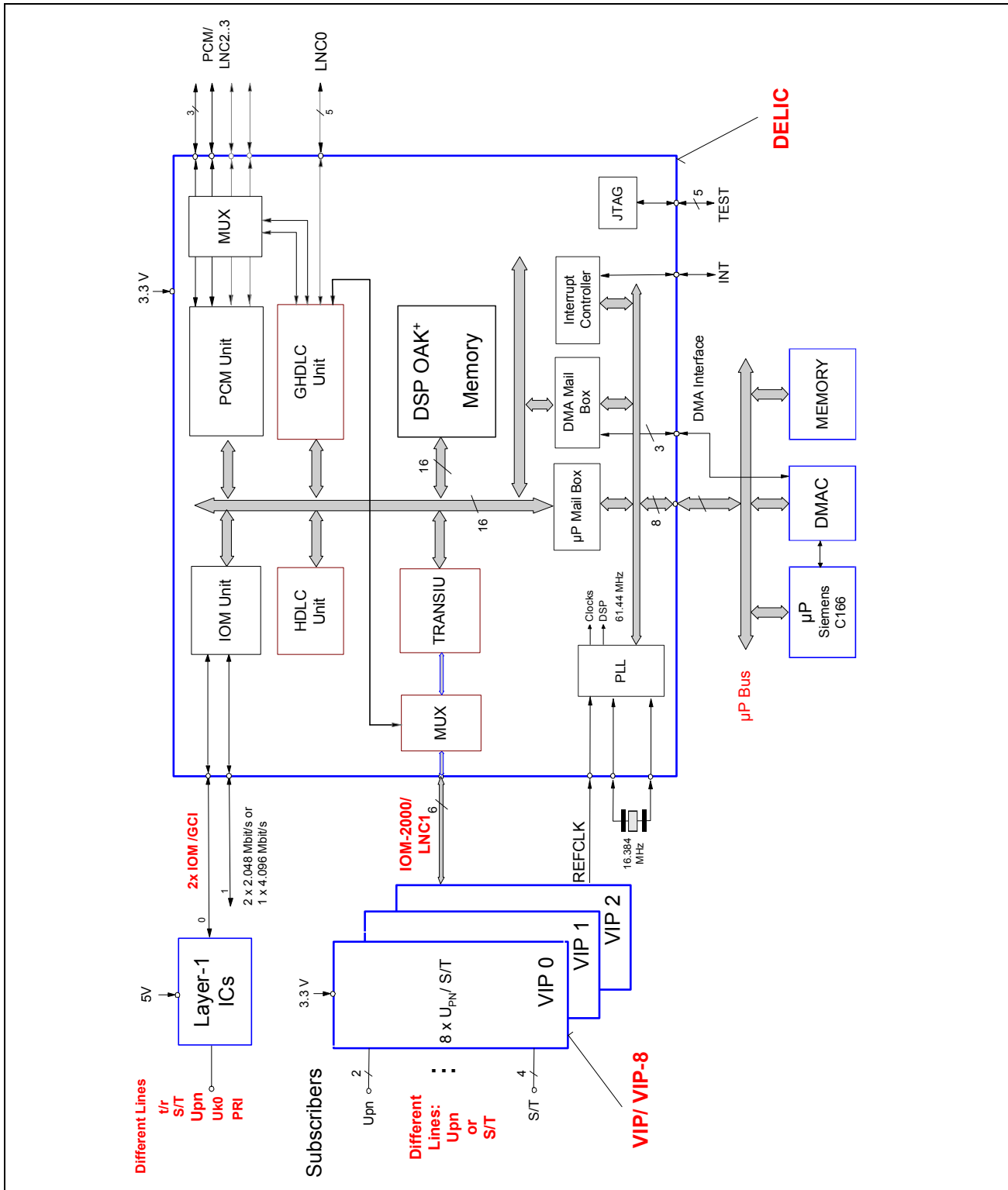


Figure 4-1 Block Diagram

## 4.2 IOM-2000 Transceiver Unit

### 4.2.1 TRANSIU Overview of Features

- The TRANSIU controls up to 24 layer-1 channels via up to three VIP/ VIP8 connected on IOM-2000 interface
- IOM-2000 interface: all channels may be programmed in the TRANSIU to:
  - $U_{PN}$  interface
  - S/T interface in LT-S (subscriber master) or LT-T (trunk slave) mode

*Note: The number of S/T interfaces in VIP PEB 20590 is limited to 4. Therefore it is required to program the TRANSIU correctly to the required mode (refer to TRANSIU register description)*

- Data rates: 3.072 Mbit/s (1 VIP), 6.144 Mbit/s (2 VIPs) or 9.216 Mbit/s (3 VIPs)
- Data and maintenance bit handling for S/T and  $U_{PN}$  interface, including multiframe control and D-channel collision control.

### 4.2.2 TRANSIU Initialization

#### Reset Status

- All IOM-2000 channels are configured to S/T interface, LT-S mode
- The data rate in the TRANSIU is set to 3.072 Mbit/s
- All buffers related to the IOM-2000 are undefined
- The Command and Status buffers have the value '0'

#### Channel Programming

Every IOM-2000 channel may be configured in the TRANSIU as:

- $U_{PN}$  mode
- S/T channel in LT-S mode
- S/T channel in LT-T mode

#### Data Rate Programming

The TRANSIU supports three configurations regarding the number of VIPs connected via IOM-2000:

- One VIP connected at data rate of 3.072 Mbit/s: 8 IOM-2000 channels at a clock rate of 3.072 MHz
- Two VIPs connected at data rate of 6.144 Mbit/s: 16 IOM-2000 channels at a clock rate of 6.144 MHz
- Three VIPs connected at data rate of 9.216 Mbit/s: 24 IOM-2000 channels at a clock rate of 12.288 MHz. (Note the difference between clock rate and actual data rate)

### 4.2.3 Initialization of VIP

During startup the VIP requires 3 frames with the right FSC and DCL\_2000 to synchronize to the DELIC. During this time the VIP is not able to detect commands or data from the DELIC.

### 4.2.4 S/T Mode Control and Framing Bits on IOM-2000

#### 4.2.4.1 Framing Bit (F-Bit)

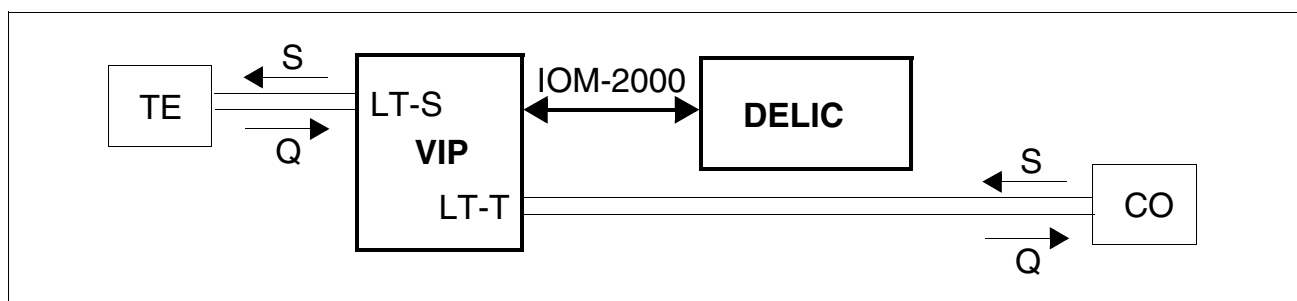
The framing (F) bit is recognized on the IOM-2000 interface, when both data and control bits are equal to '1'. In the transmit direction the data and control bits are inserted by the TRANSIU at the beginning of every transmitted frame; in the receive direction the framing bit is used for frame start recognition.

#### 4.2.4.2 Multiframing Bits

In S/T interface, the multiframe includes 20 S/T frames. The start of a multiframe is indicated by the M- and  $F_a$ -bits (the M-bit is set to '1' in every 20-th frame, the  $F_a$ -bit is set to '1' in every 5-th frame).

The S/Q channel provides the additional capability for data exchange between LT-S and TE or between the Central Office (CO) and the LT-T at the multiframe level. In the LT-S-to-TE direction the S-channel (S-bit in S/T frame) is used. In the opposite direction (TE to LT-S) the data is transferred on the Q-channel. The Q-bits are defined to be the bits in the  $F_a$  bit position of every 5-th frame. The Q-bit position is identified by  $F_a = '1'$  in the TE to LT-S direction. A multiframe is provided for structuring the Q-bits in groups of four (Q1-Q4).

The Q- and S-channel coding with respect to the frame number is shown in **Table 4-2**.



**Figure 4-2 S/Q Channel Assignment**



**Table 4-2 S/T Mode Multiframe Bit Positions**

Frame number	LT-S to TE or CO to LT-T, F <sub>a</sub> bit position	LT-S to TE or CO to LT-T, M-bit	LT-S to TE or CO to LT-T, S-bit	TE to LT-S or LT-T to CO F <sub>a</sub> bit position
1	1	1	S11	Q1
2	0	0	S21	0
6	1	0	S12	Q2
7	0	0	S22	0
11	1	0	S13	Q3
12	0	0	S23	0
16	1	0	S14	Q4
17	0	0	S24	0
...	...	...	...	...

*Note: 1. Only frame positions (within the 20-frame multiframe) that carry S- or Q-channel information are shown here*

*2. The Q- and S-bits, which are not used, are set to '1'.*

On the IOM-2000 interface, the S/T multiframe information is included in the DX/DR data stream (transparently to the VIP). The values of the multiframe are controlled by the DSP software in the DELIC.

When multiframe synchronization is not achieved or lost, the VIP mirrors the received F<sub>a</sub> bits. Once the multiframe synchronization is established, the DSP sends the multiframe synchronization command to the VIP (MSYNC bit). Upon reception of the MSYNC, the VIP stops mirroring the F<sub>a</sub>-bit.

#### 4.2.4.3 F<sub>a</sub>/N Bit

In the transmit direction the F<sub>a</sub>/N bit pair is coded in such a way that N is the binary opposite of the F<sub>a</sub>. The F<sub>a</sub> bit is equal to binary '0', except every 5-th frame when it is set to '1', which indicates the Q-bit position to the TE.

The receive direction, the F<sub>a</sub> bit positions represent the Q-channel.

#### 4.2.4.4 DC-Balancing Bit (L-Bit)

In transmit (downstream) direction the L-bit is generated in compliance with ITU-T I.430:

- A balance bit is '0' if the number of 0's following the previous balance bit is odd.
- A balance bit is '1' if the number of 0's following the previous balance bit is even.

---

**Functional Description**

It is inserted by the VIP according to the Balancing Bit Control (BBC) bit sent to the VIP by the DELIC via the CMD line.

In receive (upstream) direction, the DC balancing bit is received on the line, but not evaluated

## 4.2.5 U<sub>PN</sub> Mode Control and Framing Bits on IOM-2000

### 4.2.5.1 Framing Bit (LF-Bit)

On the U<sub>PN</sub> interface the framing (LF) bit is always logical '1'.

In the transmit direction the LF-bit is inserted by the TRANSIU at the beginning of every transmitted U<sub>PN</sub> frame. The VIP assumes the start of the U<sub>PN</sub> frame when detecting the first '1' (LF-bit) in the data stream on IOM-2000 DX line together with the 8 kHz IOM-2000 FSC pulse. This is required due to the 8 kHz clock rate of the FSC signal in comparison to the 4 kHz frame length in the U<sub>PN</sub> interface.

The code violation in the LF position is generated by the VIP when INFO1 is transmitted, according to the DSP command bits SMINI(2:0).

In the receive direction the first '1' recognized on the line after "no signal", which is represented by logic '0', is treated as the LF-bit. The code violation in the LF-bit position is recognized by the VIP when INFO 2 is received. This information is forwarded to the DELIC as part of the VIP receiver status bits RxSTA(1:0).

### 4.2.5.2 Multiframe Bit (M-Bit)

On the U<sub>PN</sub> interface, multiframe frames are composed of four U<sub>PN</sub> frames. The multiframe is included at the M-bit position. Every fourth M-bit, a code violation indicates the start of a new multiframe.

In transmit direction, the VIP extracts the multiframe bits out of the IOM-2000 data coming from DELIC and inserts them in the U<sub>PN</sub> frame at the line side.

In receive direction, the VIP extracts the multiframe bits out of the data coming from the U<sub>PN</sub> line and inserts them in the IOM-2000 frame to the DELIC.

A multiframe counter in the VIP guarantees the timing of the multiframe. It is synchronized (reset) every 20th U<sub>PN</sub> frame (=every 40th IOM-2000 frame) by the command bit 'SH\_FSC' issued by the DELIC.

*Note: The SH\_FSC bit performs the functionality of the short FSC pulse in OCTAT-P and QUAT-S.*

### T-bit

The T-bit received on the U<sub>PN</sub> line is inserted by the VIP in the IOM-2000 data receive (DR) line at the multiframe (M-bit) position in every frame; i.e. not only at the usual T-bit position every third frame, but also at the S-bit position and the code violation (CV)

## Functional Description

position. The DELIC DSP software may evaluate the received T-bit to provide the user with an additional data channel (under consideration). Note that this is an additional feature to the OCTAT-P.

In transmit direction, the T-bit value is sent in the data stream from the DELIC to the VIP, and passed on transparently to the  $U_{PN}$  terminal. The T-bit value may be programmed in DELIC's data RAM. It is required e.g. for DECT synchronization.

### S-bit

The S-bit received on the  $U_{PN}$  line interface is extracted by the VIP out of the data stream, and is logical OR'ed with the detected far-end code violation. The result is sent to the DELIC as status bit 'FECV'.

In transmit direction, the S-bit value is sent in the data stream from the DELIC to the VIP, and passed on transparently to the  $U_{PN}$  terminal. The S-bit value may be programmed in DELIC's data RAM. It is required e.g. for switching a digital loop in the terminal.

### CV-bit

The code violation bit received on the line is not transmitted to the DELIC.

### 4.2.5.3 DC-Balancing Bit

A DC-balancing bit is inserted by the VIP according to the Balancing Bit Control (BBC) bit transmitted to the VIP on the command line.

In receive direction, the DC balancing bit is received, but not evaluated.

### 4.2.6 IOM-2000 Command and Status Interface

All Command/Status bits used for VIP channel programming are divided into one group used only during initialization, and one group used during normal operation.

#### Initialization Mode Command Bits

The bits of this group are used for VIP initialization or in operation modes where an immediate reaction is not required. The initialization group includes command bits and the channel address, stored in register TICCMR. Note that the usage of this group of bits is limited in a way that only one channel may be accessed in each frame.

In test mode, the command word to  $VIP_n$  (CMD\_n) and to Channel\_m of  $VIP_n$  (CMD\_n\_m) may be read by the DELIC in the next frame after issuing bits 'RD\_n' or 'RD'. The VIP mirrors the command word exactly as it was received, despite the bits 'WR', 'WR\_ST', 'RD'. The VIP status is saved in the TRANSIU initialization status (TICSTR) register, which includes status bits and the channel address.

*Note: The commands must not be read during normal operation, since in this case the reporting of the VIP status to the DELIC would not be possible.*

**Functional Description**

**Operational Mode Command/Status Bits**

The bits of this group are used during normal operation, hence they are evaluated in every frame. They include all VIP receiver status bits and some of the command bits. The operational mode command/status bits are buffered in the Data RAM.

The VIP receiver status bits do not reflect a status change, but the status itself, i.e. the current value of the line interface INFOs, until the values change.

The FECV is only reported to the DELIC upon changes.

**Command/Status Transmission**

The command/status bits are transmitted/received by the TRANSIU at the same rate as data transmission rate, starting with the 8 kHz FSC.

**Transmit Direction**

- The command information per VIP is prepared by the DSP in the VIPCMR0-2 registers
- The command bits from initialization command group are prepared by the DSP in the ICCMR register for one of the channels
- TRANSIU operation mode command format in the Data RAM:

7	6	5	4	3	2	1	0
data byte 1							
data byte 2							
data byte 3							
x	x	x	SMINI(2:0)			MSYNC	WR_ST

**WR\_ST**

**Write Command to TST1 Bits (S/T, U<sub>PN</sub>)**

0 = Data sent in these bits is invalid

1 = SMINI(2:0) and MSYNC contain valid data

Functional Description

**MSYNC                      Multiframe Synchronization (LT-T)**

0 = VIP mirrors the  $F_A$ -bit

1 = VIP stops the  $F_A$ -bit mirroring (for multiframe synchronization)

**SMINI(2:0)                State Machine Initialization (S/T,  $U_{PN}$ )**

Command to VIP from the DELIC layer-1 state machine. Depending on the state, the VIP may transmit data on the  $U_{PN}$  or S/T interface. The VIP responds by sending the receiver status bits  $STAT_{n_m}.RxSTA(1:0)$  to the DELIC.

000 = INFO 0 in S/T or  $U_{PN}$

001 = INFO 1w in  $U_{PN}$

010 = INFO 1 in LT-T, INFO 2 in LT-S or  $U_{PN}$

011 = INFO 3 in LT-T, INFO 4 in LT-S or  $U_{PN}$

100 = Test mode 'Send Continuous Pulses SCP':  
          '1s' transmitted at 96 kHz ( $U_{PN}$ ) and at 192 kHz S/T)

101 = Test mode 'Send Single Pulses SSP' (at 2 kHz burst rate)

*Note: all other states are reserved*

**Receive Direction**

- The received status per VIP is stored in the VIPSTR0-2 registers
- If the "read\_status" command was transmitted in the previous frame for one of the channels, the received status from this channel is saved in the TICSTR register together with the 5-bit channel address
- TRANSIU operation mode status format in the Data RAM:

7	6	5	4	3	2	1	0
data byte 1							
data byte 2							
data byte 3							
x	MSYNC	FCV	FSYNC	SLIP	FECV	RxSTA(1:0)	

---

**Functional Description**

<b>RxSTA(1:0)</b>	<b>Receiver Status Change (S/T, U<sub>PN</sub>)</b> 00 = Receiver is not synchronized to the line; no signal on line (INFO 0) 01 = Level detected on line (any signal) (INF 1 in LT-S mode) 10 = Receiver is synchronized to the line, but not activated (INFO 2 in LT-T mode) 11 = Receiver is synchronized and activated (INFO 4 for LT-T mode INFO 3 for LT-S and U <sub>PN</sub> )
<b>FECV</b>	<b>Far-end Code Violation (S/T, U<sub>PN</sub>)</b> 0 = Normal operation 1 = Illegal code: FECV according to ANSI T1.605 detected (S/T)
<b>SLIP</b>	<b>Frame Slip Detected (LT-T)</b> 0 = No frame slip detected 1 = A frame slip of more than 25 μs (tbd) was detected on the LT-T channel
<b>FSYNC *</b>	<b>F-Bit Synchronous (S/T + U<sub>PN</sub> test mode only!!)</b>
<b>FCV *</b>	<b>Code Violation in F-Bit detected (U<sub>PN</sub> test mode only!!)</b>
<b>MSYNC / LD *</b>	<b>Multiframe Synchronous (U<sub>PN</sub>), Level Detected (S/T), test mode!!</b>

*Note: with \* marked bits are not evaluated by the DELIC, only for VIP testing.  
 Bits SLIP, FECV and are directly available to the DSP software in the TRANSIU receive data RAM.*

## 4.2.7 IOM-2000 Data Interface

Data processing and frame handling in the TRANSIU is fully DSP controlled. Serial data received and transmitted on the IOM-2000 Interface is arranged in the Shift Receive RAM and Shift Transmit RAM.

The DSP processed bytes are stored in the TRANSIU Current Buffer. Every 8 kHz frame the TRANSIU and DSP Current Buffers are switched.

### 4.2.7.1 $U_{PN}$ Mode

The data is received and transmitted at a nominal bit rate of 384 kbit/s. In the first half of the 4 kHz  $U_{PN}$  frame data is transmitted and 'zeros' are received, in the second half of the frame 'zeros' are transmitted and data is received.

Scrambling and de-scrambling of the B-channel data is done automatically. The received and transmitted data is stored in the Data RAM in the following format:

#### $U_{PN}$ Mode Receive / Transmit Data Format

7	6	5	4	3	2	1	0
B1-channel data							
B2-channel data							
D-channel	M-bit	x	x	x	x	x	x
Operation Mode Command/Status bits							

In transmit direction, depending on the multiframe position, the M-bit contains either the T-bit or the S-bit with the following functionality:

- T-bit: a) D-channel available info to the terminal  
b) DECT synchronization signal
- S-bit: switches remote loop in terminal device

### 4.2.7.2 $U_{PN}$ Scrambler/Descrambler

B-channel data on all  $U_{PN}$  channels of the IOM-2000 interface is scrambled to give a flat continuous power density spectrum on the line.

Scrambling is done according to ITU-T V.27 with the generator polynomial  $1 + x^6 + x^7$

#### Initialization via History RAM (HRAM)

The scrambler is activated/de-activated for each  $U_{PN}$  channel separately by a DSP write to the history RAM address.

**Functional Description**

During initialization the DSP writes a value with '0' in its LSB (other bits are of no importance) to every History RAM address associated to an  $U_{PN}$  channel that is not to be scrambled, and a value with '1' in its LSB for every  $U_{PN}$  channel that must be scrambled. The same values must be written to the descrambler history RAM.

The HRAM addresses are:

- 0x9000 - 0x9017 (scrambler  $U_{PN}$  channel 0..23)
- 0x9020 - 0x9037 (descrambler  $U_{PN}$  channel 0..23)

For example, in order to activate scrambling and descrambling for channel number 3, the DSP must execute two write operations as follows:

- Write "xxxxxxxxxxxxxxxx1" to address 0x9002
- Write "xxxxxxxxxxxxxxxx1" to address 0x9022

These writes are executed only when the scrambler is in idle mode, i.e. value 0x0003 was written by the OAK to address 0xD010.

**4.2.7.3 S/T Mode**

Data is received/transmitted at a nominal rate of 192 kbit/s. Each S/T data bit is translated into two bits on IOM\_2000: data (bit0) and control (bit1).

**LT-S Mode Transmit Data Format**

7	6	5	4	3	2	1	0
B1-channel data							
B2-channel data							
D-channel	x	$F_a$	M	S	x	x	
Operation Mode Command/Status bits							

**LT-S Mode Receive Data Format**

7	6	5	4	3	2	1	0
B1 - channel data							
B2 - channel data							
D-channel	$F_a$	x	x	x	x	x	
Operation Mode Command/Status bits							



**LT-T Mode Receive Data Format**

7	6	5	4	3	2	1	0
B1-channel data							
B2-channel data							
D-channel	x	F <sub>a</sub>	M	S	CBN	CDI	
Operation Mode Command/Status bits							

- CBN**                      **Collision Detection Bit Number**  
 0 = Collision was detected in the first D-bit of the frame  
 1 = Collision was detected in the second D-bit of the frame
- CDI**                      **Collision Detection Indication**  
 0 = No collision in D-channel  
 1 = Collision in D-channel detected

**LT-T Mode Transmit Data Format**

7	6	5	4	3	2	1	0
B1-channel data							
B2-channel data							
D-channel	F <sub>a</sub>	x	x	x	x	x	
Operation Mode Command/Status bits							

## 4.3 IOM-2 Unit

### 4.3.1 IOMU Overview of Features

The IOMU provides the DSP access to incoming time slots from the IOM-2 interface. The DSP may switch the timeslots to the other DELIC system interfaces.

#### Features

- DSP access for switching of B1 and B2 data to the PCMU and the TRANSIU (providing a constant switching delay of two 8 kHz frames)
- DSP access for extracting of D-channel information
- DSP access for control of IOM-2 Command/Indication (C/I) and Monitor channel information

#### Interface Configuration

- Two IOM-2 ports providing up to 16 IOM-2 channels (up to 16 ISDN or 32 analog subscribers)
- Available data rate modes:
  - Two ports of 384 kbit/s each (2 x 6 time slots per frame)
  - Two ports of 768 kbit/s each (2 x 12 time slots per frame)
  - Two ports of 2.048 Mbit/s each (2 x 32 time slots per frame)
  - One port of 4.096 Mbit/s (1 x 64 time slots per frame)
- Single or double data rate clock selectable in each data rate mode
- Programmable tri-state control for each port and channel (=4 time slots)
- Push-pull or open-drain configuration
- DRDY signal for D-channel control when connected to QUAT-S PEB 2084

### 4.3.2 IOMU Functional and Operational Description

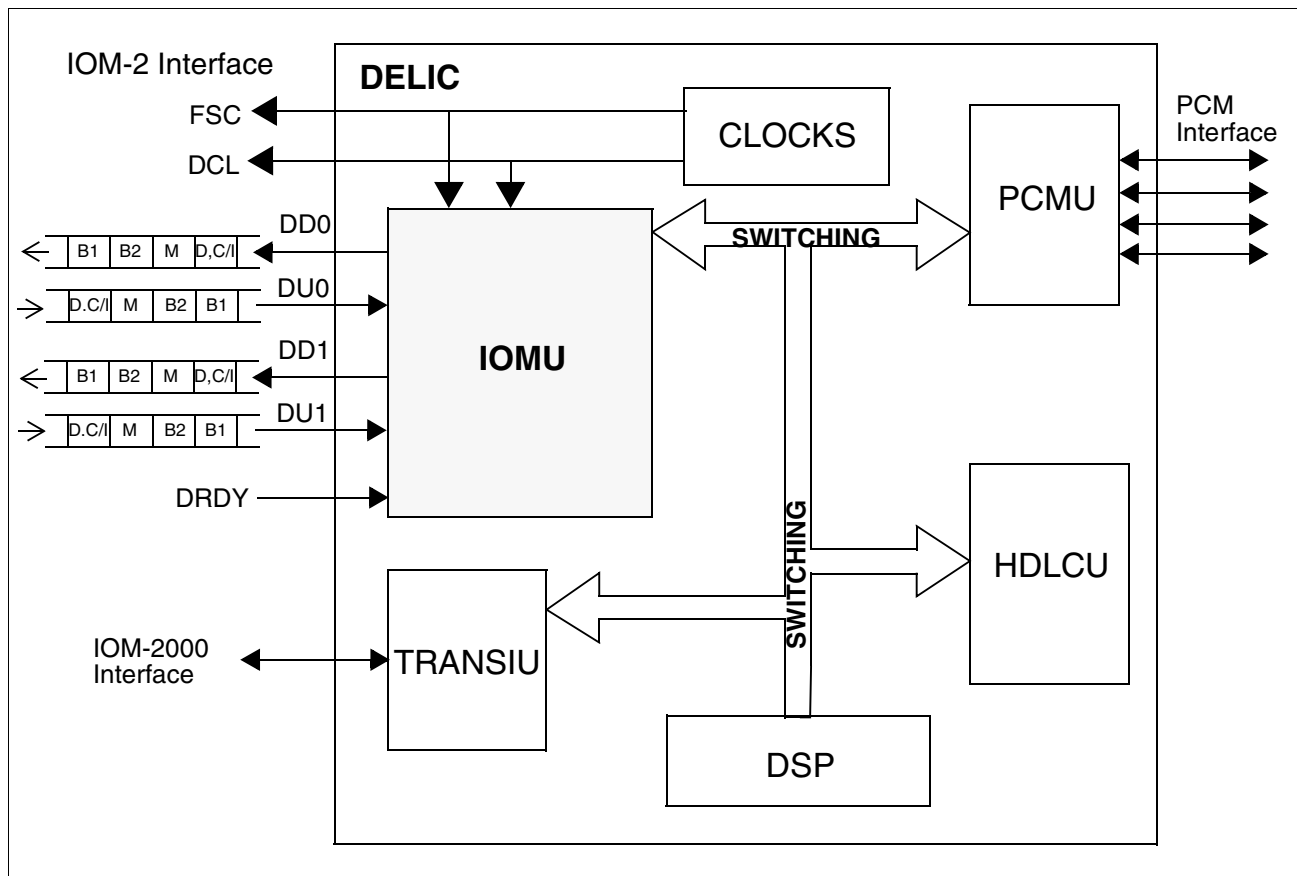


Figure 4-3 IOMU Integration in DELIC

#### 4.3.2.1 Frame-Wise Buffer Swapping

The main task of the IOMU is the serial-to-parallel conversion of incoming IOM-2 data to a parallel data format which is directly read by the DSP. This access is required for the DSP to perform switching of B-channels, extraction of D-channels, and layer-1 control via the IOM-2 C/I and Monitor channels.

The data conversion in the IOMU is done by frame-wise swapping based on a circular buffer structure. During each 8 kHz frame, one buffer is assigned to the IOMU (I-buffer), and the other one to the DSP (D-buffer). At the end of every frame, the buffers are swapped.

#### 4.3.2.2 I-buffer Logical Structure

The logical partitioning of each frame buffer into input and output blocks is determined according to the requested data rate as shown in the table below.

The address of each data byte in the I-buffer output blocks by the DSP must be selected according to the IOM port and time slot index, in which it should be transmitted.

Functional Description

**Table 4-3 I-Buffer Logical Memory Mapping**

Data Rate	Input Blocks		Output Blocks	
	in0	in1	out0	out1
2 x 2.048 Mbit/s 2 x 384 kbit/s 2 x 768 kbit/s	00 <sub>H</sub> - 1F <sub>H</sub>	20 <sub>H</sub> - 3F <sub>H</sub>	40 <sub>H</sub> - 5F <sub>H</sub>	60 <sub>H</sub> - 7F <sub>H</sub>
1 x 4.096 Mbit/s	00 <sub>H</sub> - 3F <sub>H</sub>	--	40 <sub>H</sub> - 7F <sub>H</sub>	--

Note: In 2 x 384 / 768 kbit/s mode, only the first 6 / 12 bytes of each block are used.

**4.3.2.3 DSP Access to the D-Buffer**

The D-buffer is mapped to a fixed DSP address space. Every DSP access to the D-buffer space is directed automatically to the appropriate sub-buffer.

**Table 4-4 D-Buffer Address Space**

Data-Rate Mode	D-Buffer			
	in0	in1	out0	out1
2 x 6/12/32 time slots/frame	8000 <sub>H</sub> - 801F <sub>H</sub>	8020 <sub>H</sub> - 803F <sub>H</sub>	8040 <sub>H</sub> - 805F <sub>H</sub>	8060 <sub>H</sub> - 807F <sub>H</sub>
1 x 64 time slots/frame	8000 <sub>H</sub> - 803F <sub>H</sub>	-	8040 <sub>H</sub> - 807F <sub>H</sub>	-

**4.3.2.4 IOM-2 Interface Data Rate Modes**

The IOMU may support different serial data rates of the IOM-2 interface:

- 384 kbit/s (6 time slots per frame)
- 768 kbit/s (12 time slots per frame)
- 2.048 Mbit/s (32 time slots per frame = 8 IOM-2 channels per frame)
- 4.096 Mbit/s (64 time slots per frame = 16 IOM-2 channels per frame)

The IOMU circular buffer may handle up to 64 time slots per frame. Thus, when in 4.096 Mbit/s mode, only IOM-2 port 0 is used. In this case IOM-2 port 1 remains in IDLE mode, i.e. the DD1 output pin is tri-stated.

Note that when using any of the two lower data rates, both IOM-2 ports are used.

In all data rate modes, single rate Data Clock (DCL) or double rate Data Clock may be selected.

**Table 4-5 DCL Frequency in Different IOM-2 Modes**

Single/Double Rate DCL Mode	IOM-2 Mode			
	2x384 kbit/s	2x768 kbit/s	2x2.048 Mbit/s	1x4.096 Mbit/s
<b>Single</b>	384 kHz	768 kHz	2.048 MHz	4.096 MHz
<b>Double</b>	768 kHz	1536 kHz	4.096 MHz	8.192 MHz

The IOMU meets the IOM-2 interface timing specifications as described below.

**Single Data Rate DCL Mode**

- Serial transmission via DD0/DD1 with every DCL rising edge
- Sampling of the incoming serial data (DU0/DU1) with every DCL falling edge
- Sampling FSC with every DCL falling edge. Sampling of FSC = 1 after sampling of FSC = 0 is considered to be the start of a frame.

**Double Data Rate DCL Mode**

- Two DCL cycles per bit (the bits are aligned to the frame start)
- Serial transmission via DU0/1 with every second DCL rising edge.
- Sampling of incoming serial data (DD0/1) with the second DCL falling edge of each bit.
- Sampling of FSC every DCL falling edge. Sampling of FSC = 1 after sampling of FSC = 0, is considered to be the start of a new frame.

**Figure 4-4** shows the IOM-2 interface timing with single and double rate DCL. For more details refer to the general IOM-2 interface description.

Functional Description

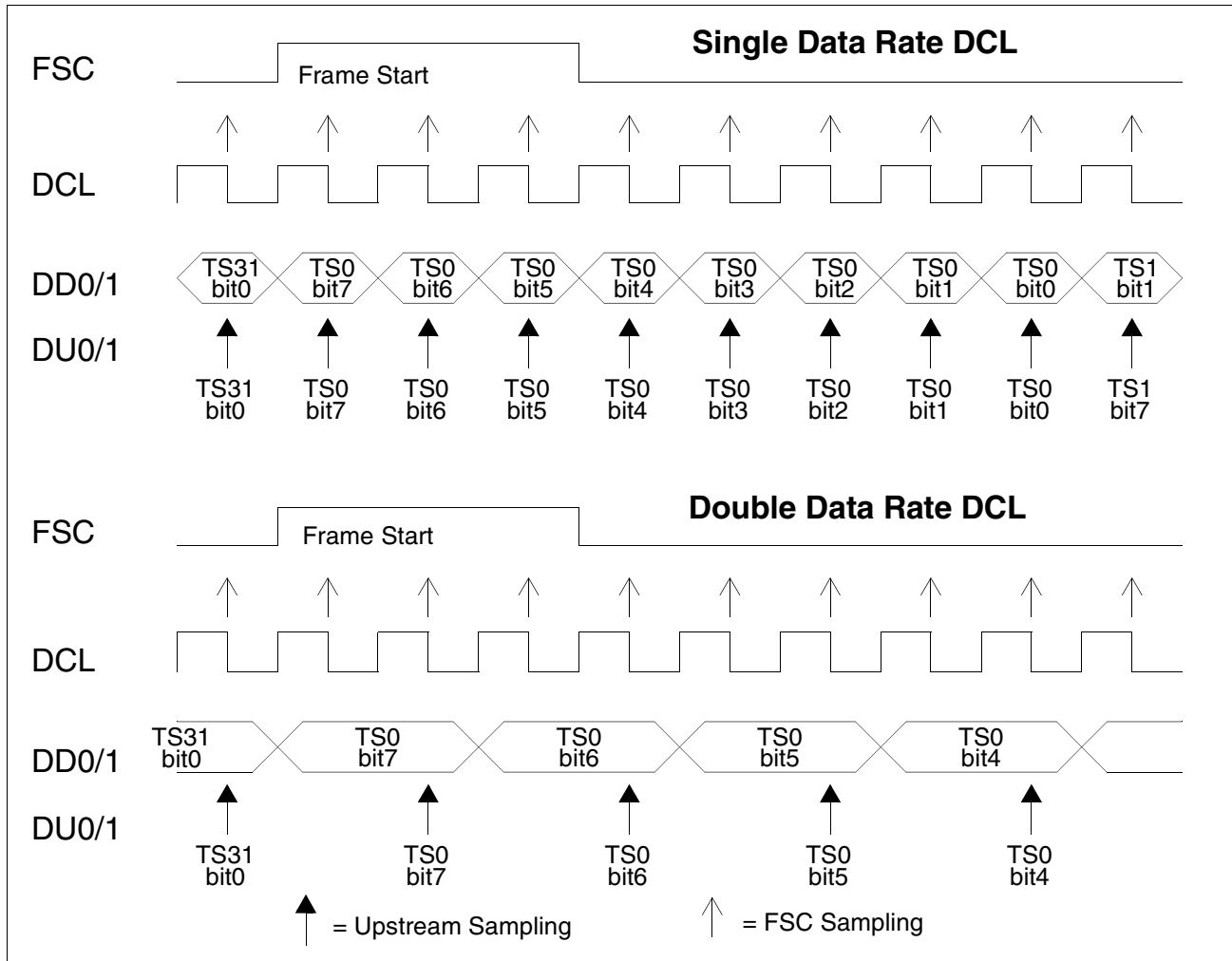


Figure 4-4 IOM-2 Interface Timing in Single/Double Clock Mode

### 4.3.2.5 IOMU Serial Data Processing

The IOMU serial data processing is according to the IOM-2 specifications. Incoming serial data is converted into parallel bytes, and stored in the I-buffer input blocks. The sequence for every time slot received is from MSB (bit 7) to LSB (bit 0). Transmission is performed in the opposite direction, from MSB (bit 7) to LSB (bit 0).

### 4.3.2.6 IOMU Parallel Data Processing

The data read from the IOMU frame buffers by the DSP always reside in the low byte of the 16-bit word. The high byte of the read word is driven by the 8-bit IOMU Data Prefix Register (IDPR). The data prefix is used to accelerate the A- $\mu$ -law to linear conversions (refer to **Chapter 4.5**).

*Note: Any octet written by the DSP to any location in the IOMU frame buffers should reside in the low byte (8 LSB). The high byte of the written word is "don't care".*

### 4.3.2.7 IOM-2 Push-Pull and Open-Drive Modes

The IOM-2 ports can be configured to Push-Pull or Open-Drive modes by a dedicated bit in the IOMU Control Register. When programmed to Open-Drive, DD0/DD1 is tri-stated when a '1' is supposed to be transmitted, or during a time slot quadruplet with the associated Tri-State Register bit set.

In both cases the external pull-up resistor, which is used when working in open-drive mode, will "pull" the value to '1'.

*Note: When the IOMU is programmed to 1x 64 time slots per frame mode, DD1 is tri-stated, independently of the IOM-2 interface push-pull or open-drive mode.*

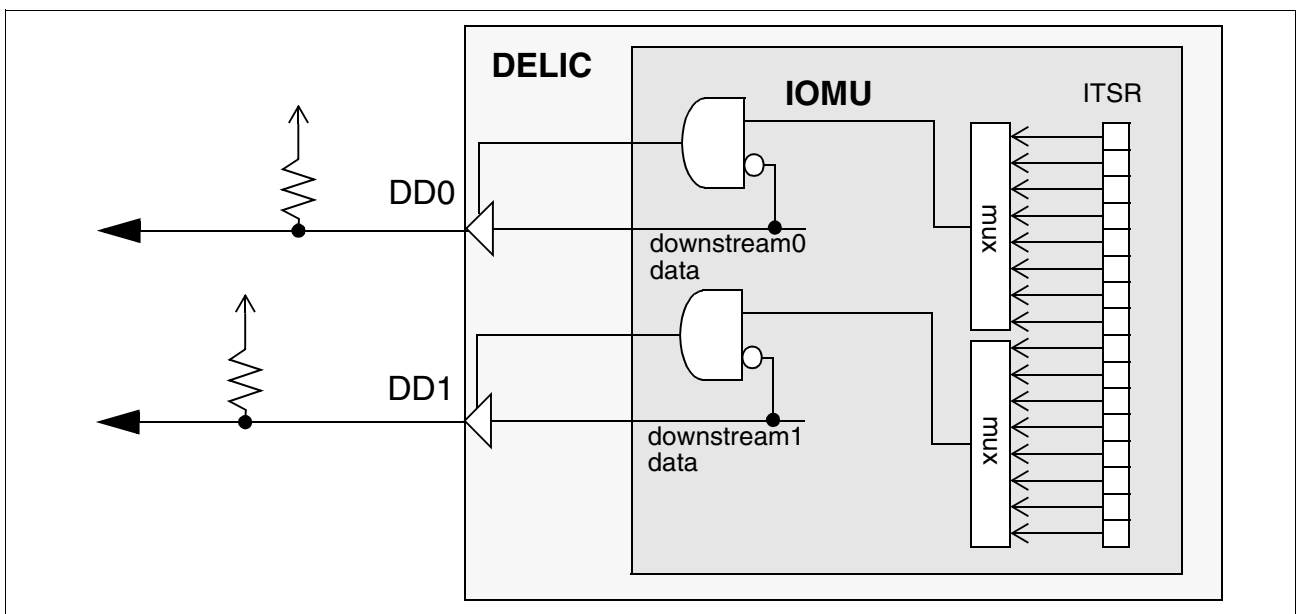


Figure 4-5 IOM-2 Interface Open-Drive Mode

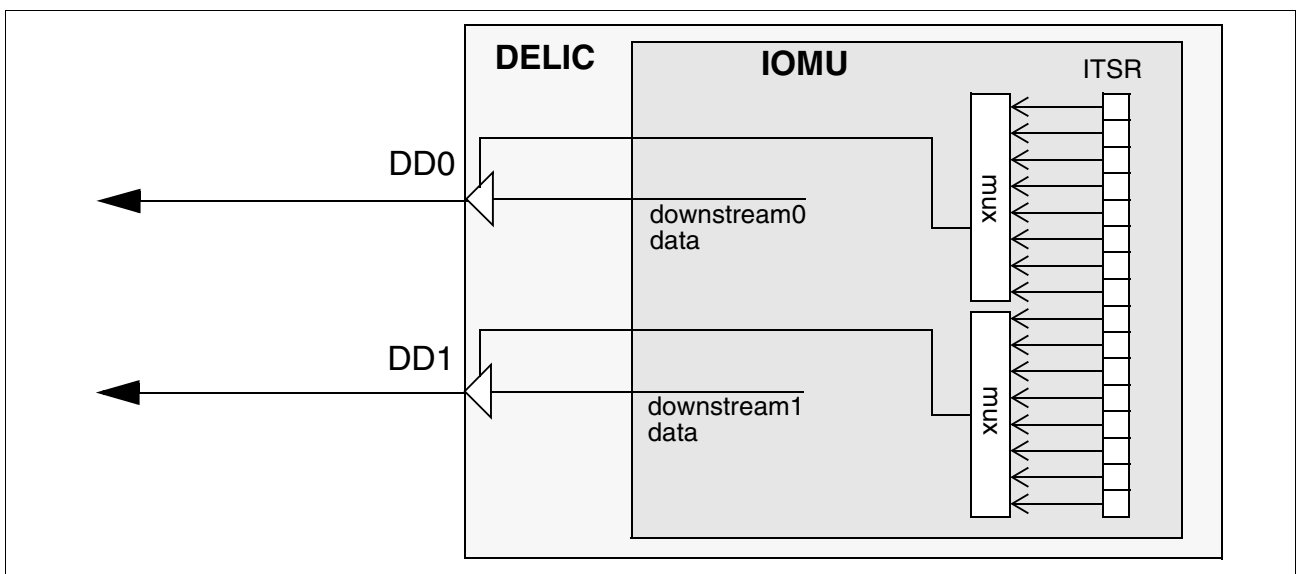


Figure 4-6 IOM-2 Interface Push-Pull Mode

### 4.3.2.8 Support of DRDY Signal from QUAT-S

The DRDY input is used when connecting a Siemens QUAT-S transceiver to the DELIC via the IOM-2 interface. It is driven by the QUAT-S to inform the DELIC when a D-channel is occupied by another S-interface device.

The IOMU supports the synchronous DRDY mode, i.e. the QUAT-S is operated in LT-T mode. In this mode, the DRDY signal is valid only during the D-channels.

DRDY = '0' means STOP (ABORT HDLC message), and DRDY = '1' means GO.

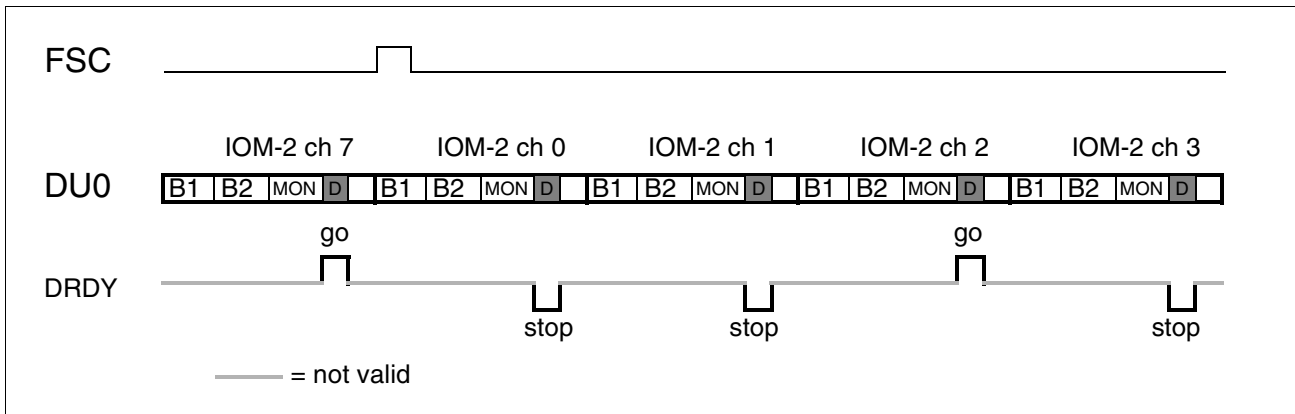


Figure 4-7 DRDY Signal Behavior

IOMU DRDY support features:

- Sampling DRDY only once every D-channel, at the first bit.
- Sampling with the first DCL falling edge (in single data-rate DCL mode), or with the second falling DCL edge (in double data-rate DCL mode), refer to **Figure 4-8**.
- DRDY support via IOM-2 port 0 only (with a constant delay of one 8 kHz frame)
- The status of the DRDY line can be read from register IDRDRYR

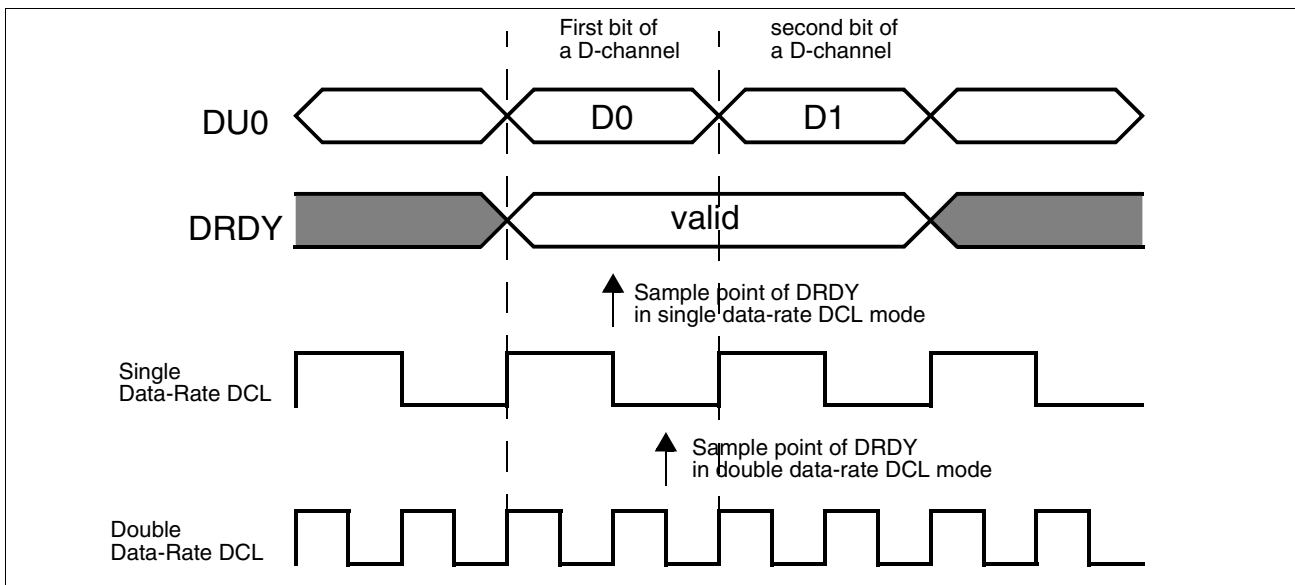


Figure 4-8 DRDY Sampling Timing



## 4.4 PCM Unit

### PCM Interface Features

The PCMU enables the DSP to control the 4 PCM ports. The DSP accesses the incoming PCM time slots, and prepares the outgoing PCM time slots. In general, the PCMU enables the DSP to switch time slots from and to the PCM ports.

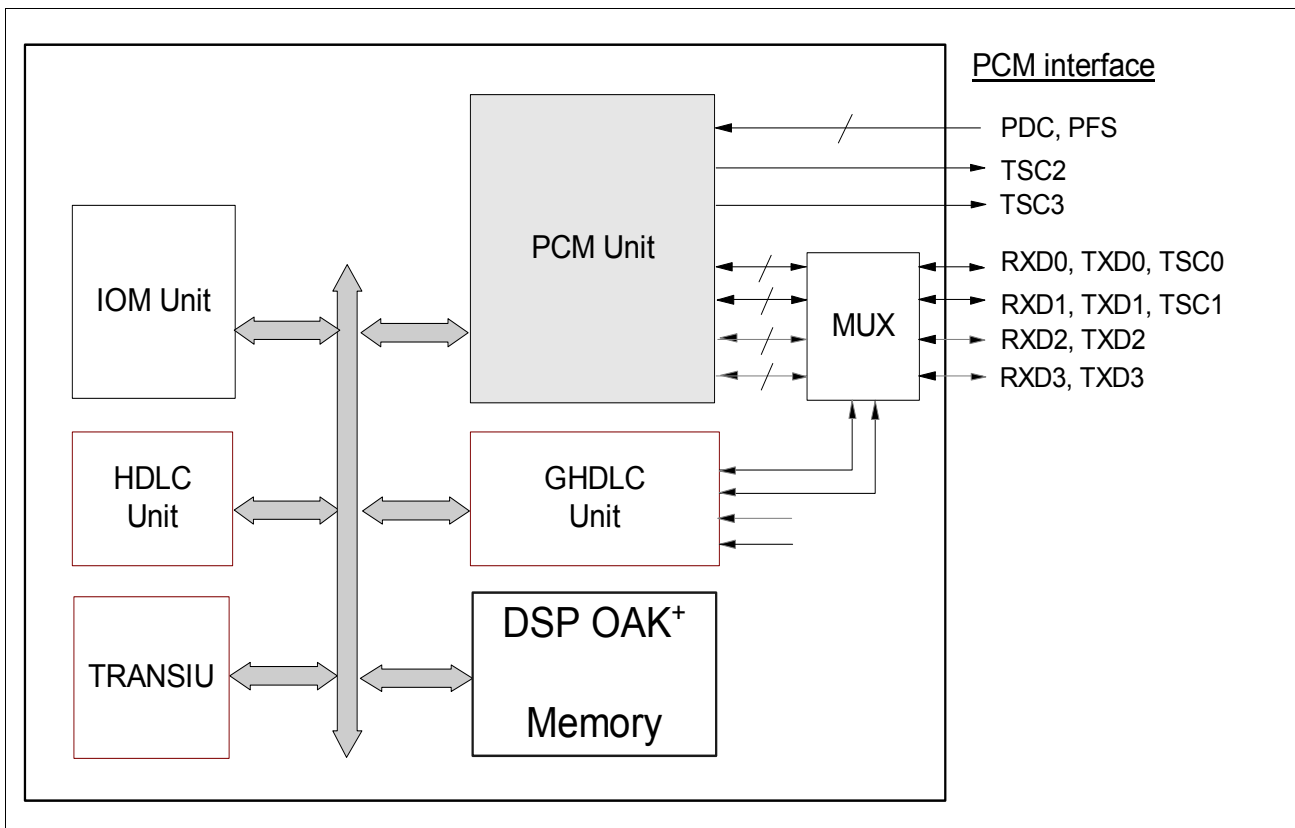
The basic structure and programming model of the PCMU is similar to the IOMU. Note that the PCMU provides the double capacity of the IOMU. Thus it may handle up to 4 PCM ports and an overall of 128 time slots per frame in the receive direction and 128 time slots per frame in the transmit direction.

The following PCMU data rate modes are available:

- Four streams of 2.048 Mbit/s each (single and double clock)
- Two streams of 4.096 Mbit/s each (single and double clock)
- One stream of 8.192 Mbit/s (single and double clock)
- One stream of 16.384 Mbit/s (single clock). It is programmable, whether the first or the second 128 time slots of the 8 kHz frame are handled in the PCMU.

Tristate control is performed via pins  $\overline{TSCn}$ , programmable per time slot and port.

### 4.4.1 PCMU Functional and Operational Description



**Figure 4-9 PCMU Integration in DELIC**

The PCM-unit signals share port pins with the GHDL Unit. A multiplexer controlled by register MUXCTRL allows to define the required functionality.

#### 4.4.1.1 Frame-Wise Buffer Swapping

The main task of the PCMU is the serial-to-parallel conversion of incoming data to a parallel data format (and vice versa) which is directly read by the DSP. This access is required for the DSP to perform switching of B-channels.

The data conversion in the PCMU is done by frame-wise swapping based on a circular buffer structure. During each 8 kHz frame, one buffer is assigned to the PCMU (I-buffer), and the other one to the DSP (D-buffer). At the end of every frame, the buffers are swapped.

#### 4.4.1.2 DSP Inaccessible Buffer (I-buffer)

The logical partitioning of each frame buffer into input and output blocks is determined according to the requested data rate as shown in the table below.

The address of each data byte in the I-buffer output blocks by the DSP must be selected according to the PCM port and time slot index, in which it should be transmitted.

**Table 4-6 I-Buffer Logical Memory Mapping of Input Buffers**

Data Rate	Input Blocks			
	in0	in1	in2	in3
related port	RXD0	RXD1	RXD2	RXD3
4 x 2.048 Mbit/s	00 <sub>H</sub> - 1F <sub>H</sub>	20 <sub>H</sub> - 3F <sub>H</sub>	40 <sub>H</sub> - 5F <sub>H</sub>	60 <sub>H</sub> - 7F <sub>H</sub>
2 x 4.096 Mbit/s	00 <sub>H</sub> - 3F <sub>H</sub>	40 <sub>H</sub> - 7F <sub>H</sub>		
1 x 8.192 Mbit/s	00 <sub>H</sub> - 7F <sub>H</sub>			
1 x 16.384 Mbit/s	00 <sub>H</sub> - 7F <sub>H</sub>			

**Table 4-7 I-Buffer Logical Memory Mapping of Output Buffers**

Data Rate	Output Buffer Blocks			
	out0	out1	out2	out3
related port	TXD0	TXD1	TXD2	TXD3
4 x 2.048 Mbit/s	80 <sub>H</sub> - 9F <sub>H</sub>	A0 <sub>H</sub> - BF <sub>H</sub>	C0 <sub>H</sub> - DF <sub>H</sub>	E0 <sub>H</sub> - FF <sub>H</sub>
2 x 4.096 Mbit/s	80 <sub>H</sub> - BF <sub>H</sub>	C0 <sub>H</sub> - FF <sub>H</sub>		
1 x 8.192 Mbit/s	80 <sub>H</sub> - FF <sub>H</sub>			
1 x 16.384 Mbit/s	80 <sub>H</sub> - FF <sub>H</sub>			

*Note: In 1 x 16.384 Mbit/s only the first half of the frame is saved in the buffer*

#### 4.4.1.3 DSP Accessible Buffer (D-Buffer)

The D-buffer is mapped to a fixed DSP address space. Every DSP access to the D-buffer space is directed automatically to the appropriate sub-buffer.

**Table 4-8 DSP Access to D-Buffer Input Blocks**

Data Rate	Input Buffer Blocks			
	in0	in1	in2	in3
related port	RXD0	RXD1	RXD2	RXD3
4 x 2.048 Mbit/s	A000 <sub>H</sub> - A01F <sub>H</sub>	A020 <sub>H</sub> - A03F <sub>H</sub>	A040 <sub>H</sub> - A05F <sub>H</sub>	A060 <sub>H</sub> - A07F <sub>H</sub>
2 x 4.096 Mbit/s	A000 <sub>H</sub> - A03F <sub>H</sub>	A040 <sub>H</sub> - A07F <sub>H</sub>		
1 x 8.192 Mbit/s	A000 <sub>H</sub> - A07F <sub>H</sub>			
1 x 16.384 Mbit/s	A000 <sub>H</sub> - A07F <sub>H</sub>			

**Table 4-9 DSP Access to D-Buffer Output Blocks**

Data Rate	Output Buffer Blocks			
	out0	out1	out2	out3
related port	TXD0	TXD1	TXD2	TXD3
4 x 2.048 Mbit/s	A080 <sub>H</sub> - A09F <sub>H</sub>	A0A0 <sub>H</sub> - A0BF <sub>H</sub>	A0C0 <sub>H</sub> - A0DF <sub>H</sub>	A0E0 <sub>H</sub> - A0FF <sub>H</sub>
2 x 4.096 Mbit/s	A080 <sub>H</sub> - A0BF <sub>H</sub>	A0C0 <sub>H</sub> - A0FF <sub>H</sub>		
1 x 8.192 Mbit/s	A080 <sub>H</sub> - A0FF <sub>H</sub>			
1 x 16.384 Mbit/s	A080 <sub>H</sub> - A0FF <sub>H</sub>			

*Note: In 1 x 16.384 Mbit/s only the first half of the frame is saved in the buffer*

#### 4.4.1.4 PCMU Interface Data Rate Modes

The PCMU may support different serial data rates:

- up to 4 ports with 2048 Mbit/s (32 time slots per frame)
- up to 2 ports with 4.096 Mbit/s (64 time slots per frame)
- 1 port with 8.196 Mbit/s (128 time slots per frame)
- 1 port with 16.384 Mbit/s (only 128 time slots of the frame are supported)

The PCMU circular buffer may handle up to 128 time slots per frame. Thus, when e.g. configured in 4.096 Mbit/s mode, only PCM port 0 and 2 are used. In this case PCM port 1 and 3 remain in IDLE mode, i.e. the TXD1, TXD3 output pins are tri-stated.

For the data rate modes up to 8.192 MBit/s, single rate Data Clock (PDC) or double rate Data Clock may be selected. For 16.384 MHz mode only single clock is supported.

#### Single Data Rate PDC Mode

- Serial transmission via TXDn with every DCL rising edge
- Sampling of the incoming serial data (RXDn) with every PDC falling edge
- Sampling PFS with every PDC falling edge. Sampling of PFS = 1 after sampling of PFS = 0 is considered to be the start of a frame.

#### Double Data Rate PDC Mode

- Two PDC cycles per bit (the bits are aligned to the frame start)
- Serial transmission via TXDn with every second PDC rising edge.
- Sampling of incoming serial data (RXDn) with the second PDC falling edge of each bit.
- Sampling of PFS every PDC falling edge. Sampling of PFS = 1 after sampling of PFS = 0, is considered to be the start of a new frame.

Figure 4-4 shows the PCM interface timing with single and double rate PDC.

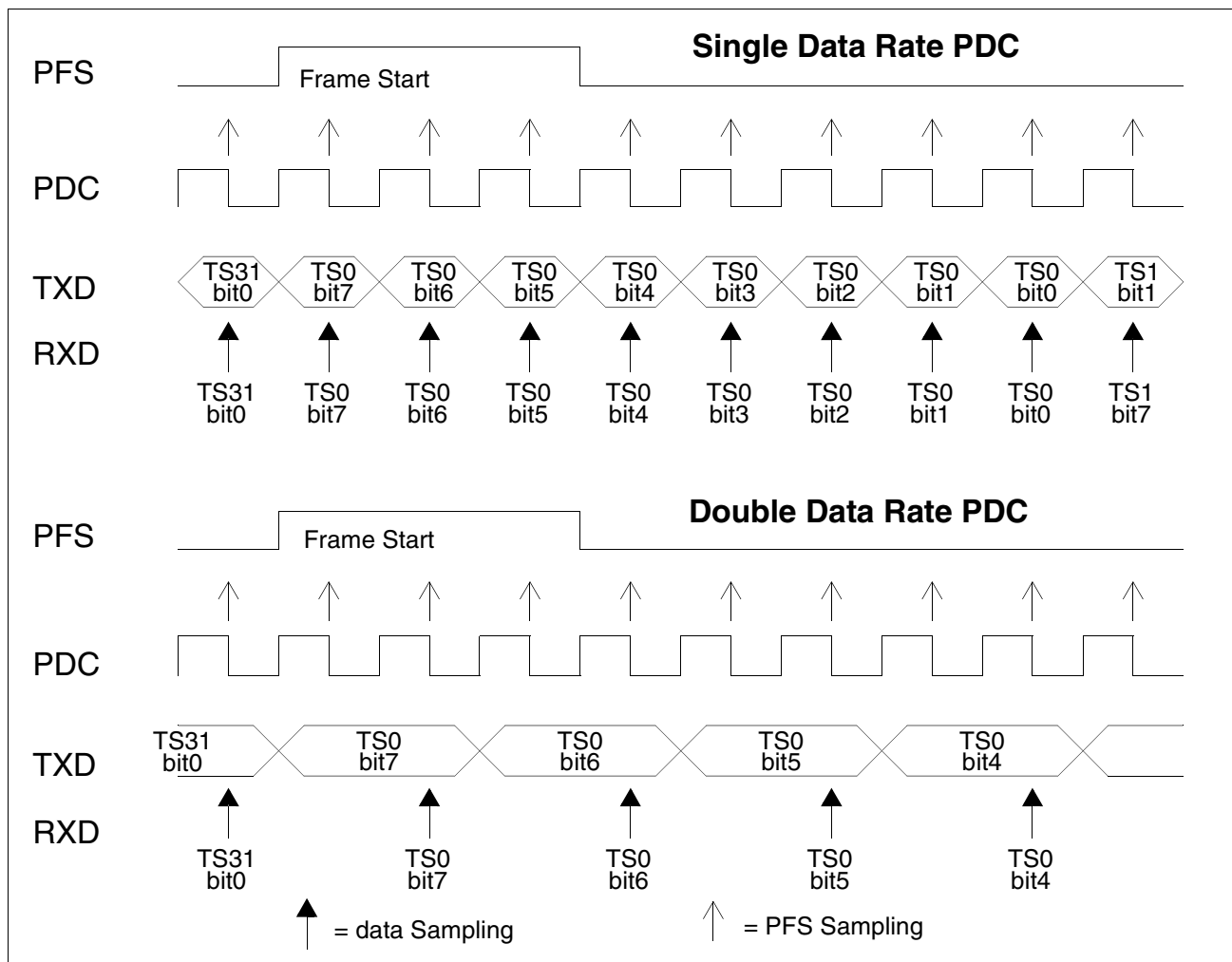


Figure 4-10 IOM-2 Interface Timing in Single/Double Clock Mode

#### 4.4.1.5 PCMU Serial Data Processing

The incoming serial data is converted into parallel bytes, and stored in the I-buffer input blocks. The sequence for every time slot received is from MSB (bit 7) to LSB (bit 0). Transmission is performed from MSB (bit 7) to LSB (bit 0).

#### 4.4.1.6 PCMU Parallel Data Processing

The data read from the PCMU frame buffers by the DSP always reside in the low byte of the 16-bit word. The high byte of the read word is driven by the 8-bit PCMU Data Prefix Register (PDPR). The data prefix is used to accelerate the A- $\mu$ -law to linear conversions (refer to **Chapter 4.5**).

**Functional Description**

Any octet written by the DSP to any location in the PCMU frame buffers should reside in the low byte (8 LSB). The high byte of the written word is “don’t care”.

**4.4.1.7 PCMU Tri-state Control Logic**

There are eight 16-bit tri-state control registers in the PCMU. Each bit determines whether its associated time slot is valid or invalid.

- '0' = the controlled time slot is invalid
- '1' = the controlled time slot is valid

The tri-state bits control the data transmit pins TXD0 - TXD3.

A special set/reset write method is used for updating the tri-state control registers. Every tri-state control register is mapped to 2 addresses: the first is used for set operation, the second for reset operation. Both addresses may be used for read operation.

- Set operation: This operation is executed during DSP write access to the set address of one of the TSC registers. The bits in the TSC register are set to '1' according to the bits in the written word. The other bits maintain their value.
- Reset operation: This operation is executed during DSP write access to the reset address of one of the TSC registers. The bits in the TSC register are reset to '0' according to the bits in the written word. The other bits maintain their value.

The Tristate Control Registers (PTSR0-7) can be accessed by the DSP. Every bit of them controls the TSC signal of one of the 4 PCM ports, for one time slot. The time slot and the port controlled by every bit depend on the data rate mode. In 1x256 TS/frame, it depends also on the selected half of the frame. Each TSC signals controls directly its respective TxD port, and is also driven outward via the corresponding TSCn output pin. For the 4 x 32 time slot per frame mode, the next table depicts which port is controlled by each TSC register, and during which time slot. Bit 0 of each TSC register controls the first time slot of the listed time slot range, bit 1 controls the second one etc.

**Table 4-10 PCM TSC in 4 x 32 TS Mode**

<b>Time Slots</b>	<b>TSC0</b>	<b>TSC1</b>	<b>TSC2</b>	<b>TSC3</b>
0..15	PTSC0	PTSC2	PTSC4	PTSC6
16..31	PTSC1	PTSC3	PTSC5	PTSC7

In 2 x 64 time slot per frame mode, only PCM ports 0 and 2 are used. TSC1 and TSC3 are permanently '0' (all time slots are invalid).

Functional Description

**Table 4-11 PCM TSC in 2 x 64 TS Mode**

Time Slots	TSC0	TSC1	TSC2	TSC3
0..15	PTSC0	inactive	PTSC4	inactive
16..31	PTSC1	inactive	PTSC5	inactive
32..47	PTSC2	inactive	PTSC6	inactive
48..63	PTSC3	inactive	PTSC7	inactive

In 1 x 128 time slot per frame mode, only PCM port 0 is used. TSC1, TSC2 and TSC3 are permanently '0' (all time slots are invalid). In 1 x 256 time slot per frame mode, only one half of the frame is used. All TSC pins are permanently '0' during the other half of the frame.

**Table 4-12 PCM TSC in 1 x 128 TS and 1 x 256 TS (1st Half) Mode**

Time Slots	TSC0	TSC1	TSC2	TSC3
0..15	PTSC0	inactive	inactive	inactive
16..31	PTSC1	inactive	inactive	inactive
32..47	PTSC2	inactive	inactive	inactive
48..63	PTSC3	inactive	inactive	inactive
64..79	PTSC4	inactive	inactive	inactive
80..95	PTSC5	inactive	inactive	inactive
96..111	PTSC6	inactive	inactive	inactive
112..127	PTSC7	inactive	inactive	inactive

*Note: The same structure applies to the 256 TS per frame (first frame half) mode, except that all time slots (0..127) are transmitted in the first half of the 8 kHz frame.*

**Table 4-13 PCM TSC in 1 x 256 TS (2nd Half) Mode**

Time Slots	TSC0	TSC1	TSC2	TSC3
0..127	inactive	inactive	inactive	inactive
128..143	PTSC0	inactive	inactive	inactive
144..159	PTSC1	inactive	inactive	inactive
160..175	PTSC2	inactive	inactive	inactive
176..191	PTSC3	inactive	inactive	inactive
192..207	PTSC4	inactive	inactive	inactive

Functional Description

**Table 4-13 PCM TSC in 1 x 256 TS (2nd Half) Mode**

Time Slots	TSC0	TSC1	TSC2	TSC3
208..223	PTSC5	inactive	inactive	inactive
224..239	PTSC6	inactive	inactive	inactive
240..255	PTSC7	inactive	inactive	inactive



## 4.5 A-law/ $\mu$ -law Conversion Unit

The A- $\mu$ -law Unit performs a bi-directional conversion between a linear representation of voice data and its companded representation (according to **A-law** or  **$\mu$ -law**). The conversion is possible for all B-channels transceived via IOM-2, IOM-2000 or PCM.

### A- $\mu$ -law to Linear Conversion

The conversion is done via a 512 x 16 ROM table. The low 256 bytes translate the A-law value into linear, while the high 256 words translate the  $\mu$ -law to linear.

The DSP issues a read cycle, in which the 8 MSBs of the 16-bit address represent the ROM table address, and the 8 LSBs are the actual value which is to be converted. The converted linear value is the contents read from the ROM. Note that no wait states are required for this direction of conversion.

A-law values in the ROM are stored in the 13 MSBs. The 3 LSBs are always '0'. The  $\mu$ -law values in the ROM are stored in the 14 MSBs. The 2 LSBs are always '0'.

### Linear to A- $\mu$ -law Conversion

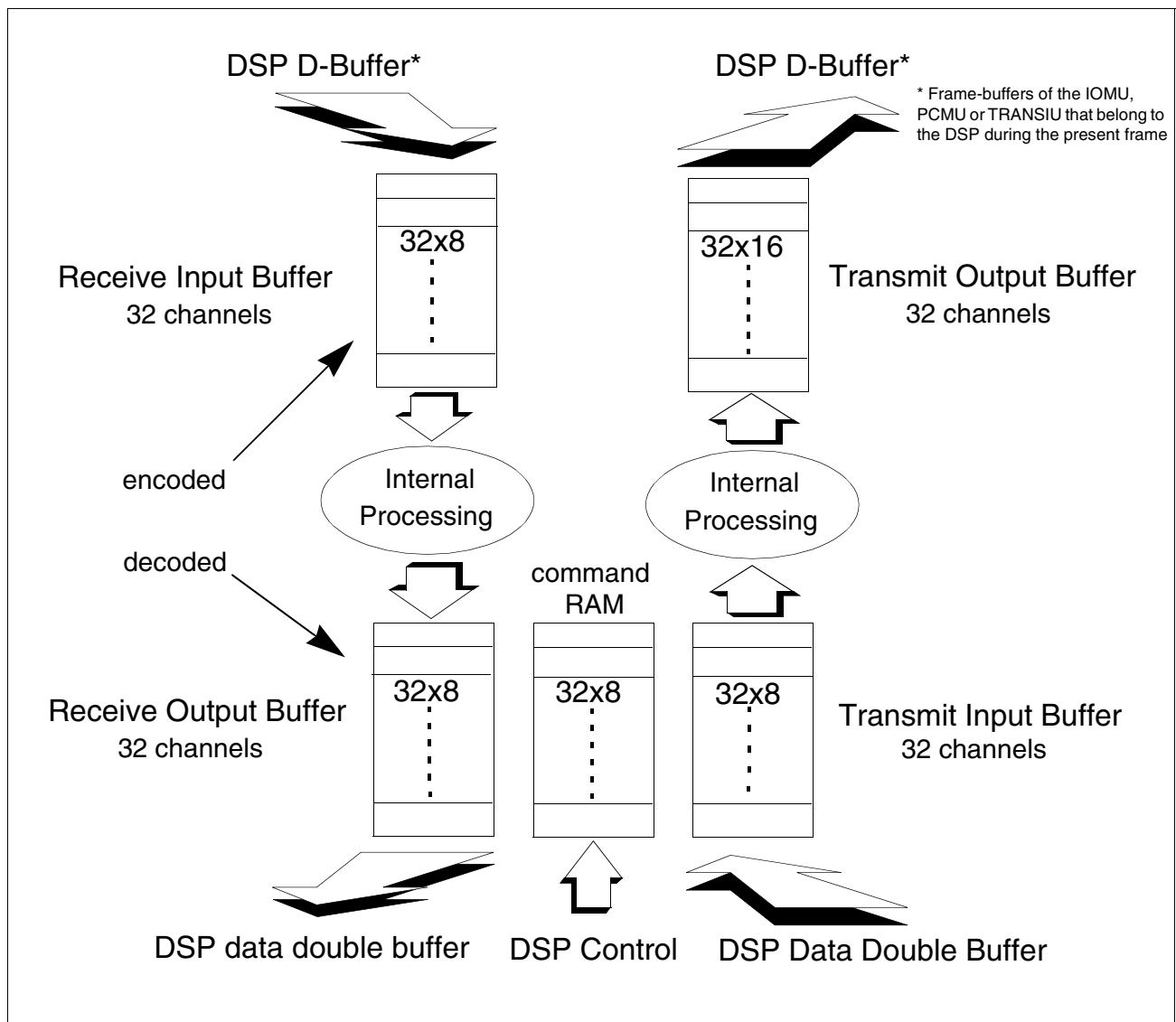
The conversion is done by dedicated hardware. The DSP programs the control register to perform either A-law or  $\mu$ -law conversion. The linear value is written into the Input register (AMIR), and the A-law or  $\mu$ -law value is read from the Output register (AMOR). Note that this is only possible one cycle later.

## 4.6 HDLC Unit

### 4.6.1 HDLCU Unit Overview

The HDLCU decodes and encodes HDLC messages to and from the DSP. It may process up to 32 full-duplex HDLC channels in parallel. It is controlled by the DSP through software and is thus very flexible.

The HDLCU includes a Receive Input Buffer, a Receive Output Buffer, a Transmit Input Buffer and a Transmit Output Buffer, some HDLC protocol processing logic and a command RAM.



**Figure 4-11 HDLCU General Block Diagram**

**Figure 4-11** shows the HDLCU structure. Each buffer, except the Transmit Output Buffer, is a 32 x 8 RAM, hence one byte is assigned to each HDLC time slot channel.

## Functional Description

The Transmit Output Buffer is a 32 x 15 RAM because, in addition to each HDLC channel, there is also a 7 bit status vector assigned to each channel stored in this buffer. The DSP assigns each time slot used for transceiving an HDLC message to a different address in the Receive/Transmit Input Buffers. The HDLCU decodes/encodes the time slots into the corresponding addresses in the Receive/Transmit Output Buffers.

During every frame, two HDLCU activities are performed:

1. DSP access to the HDLCU
2. HDLCU encoding/decoding

At the beginning of a frame the DSP checks if the HDLCU is busy (HHOLD = '0'). Note that the DSP may only access the buffers and command RAM when DSPCTRL = '1'.

In the **receive direction** the DSP places HDLC message time slots to be processed from the D-buffers into the Receive Input Buffer. Processed message time slot octets may be read by the DSP from the Receive Output Buffer.

In the **transmit direction** the DSP places HDLC message time slots to be processed in the Transmit Input Buffer. Processed time slots may be read from the Transmit Output Buffer and placed into the D-Buffer of the IOMU, PCMU or TRANSIU from which they will be transmitted during the next frame.

### 4.6.2 DSP Operation of the HDLCU

#### 4.6.2.1 Initialization of the HDLCU

The first frame is used to reset the receive and transmit mechanisms of each channels.

1. The DSP asks for the HDLCU setup from the External Controller.
2. The DSP sets the bit DSPCTRL to '1'.
3. The DSP resets the receive mechanism and transmit mechanism of a channel by setting the RECRES flag of its command vector to '1' and inserting an abort command. The DSP also writes the setup of the HDLCU.
4. The DSP sets DSPCTRL to '0'.
5. When the HDLCU finishes processing (HHOLD = '1'), the HDLCU is initialized and is ready for use.

#### 4.6.2.2 Transmitting a Message

In order to transmit a message the DSP must place a Start transmission command in the appropriate address in the command RAM.

If CRC encoding is required, then the DSP must set bit 1 to '1' in the command vector. In the unshared flag mode, during the first frame a flag is transmitted over the channel. After the flag has been transmitted, the HDLCU starts to transmit the message. In the

---

## Functional Description

shared flag mode the HDLCU starts transmitting the message in the frame adjacent to the reception of the Start transmission command.

*Note: Messages with zero byte data content are not supported.*

### 4.6.2.3 Ending a Transmission

When placing the last octet of the message into the Transmit Input Buffer, the DSP should place an End transmission command in place of the Start transmission command without changing the CRC bit.

If CRC encoding is required, the CRC vector will be transmitted bit by bit after the octet of the message, and then a flag will be transmitted. If CRC encoding is not required, a flag will be transmitted directly after the last octet of the message. Note that in unshared flag mode, if no adjacent frame exists, 'ones' will be transmitted after the flag.

### 4.6.2.4 Aborting a Transmission

In order to abort transmission of a message over a dedicated channel, the DSP places an abort command in the appropriate address in the command RAM. The message being transmitted over the channel is aborted and 'ones' are transmitted over the channel instead (even in the shared flag mode).

### 4.6.2.5 DSP Access to the HDLCU Buffers

Reading a channel from the Receive Output Buffer and writing to a channel in the Transmit Input Buffer is done according to the channel status vector and according to the Empty and Full procedures as shown below:

#### Empty procedure

- If the **EMPTY** flag of a channel is set by the HDLCU to '1', then move a new time slot to be transmitted from the pipe to the Transmit Input Buffer.
- If the pipe is empty change the pipe page and ask for the next 16 bytes of data from the external controller by means of DMA or interrupt.

*Note: The B-channel buffer may be emptied within a single frame, while it takes at least 4 frames to empty a D-channel buffer.*

#### Full procedure

- If the **FULL** flag of a channel is set by the HDLCU to '1' then the DSP moves the time slot from the Receive Output Buffer into the double buffer.
- If the pipe is full change the pipe page and transfer the next 16 bytes of data to the External Controller by means of DMA or interrupt.

*Note: The B-channel buffer may be filled within a single frame, while a D-channel buffer will take at least 4 frames to fill.*

### **Reading Data from the Receive Output Buffers**

When the DSP reads a time slot from an even address in the Receive Output Buffer, the HDLCU will place it on the LSB byte of the data bus and '0' on the MSB byte. When the DSP reads a time slot from an odd address, the HDLCU will place it on the MSB byte of the data bus and '0' on the LSB byte.

### **Writing Data to the Transmit Input Buffers**

When the DSP writes to an even address in the Transmit Input Buffer, the HDLCU will write the LSB of the data bus. When the DSP writes to an odd address, the HDLCU will write the MSB byte of the data bus.

## 4.7 GHDLC Unit

### 4.7.1 GHDLC Overview

The GHDLC (General HDLC) controls the dedicated serial communication interface of the DELIC. The purpose of the GHDLC is to decode incoming HDLC messages and to encode outgoing messages according to the HDLC protocol. The GHDLC transceives HDLC data streams with up to 16.384 Mbit/s. A received message is collected bit by bit from the line and stored as octets in the Receive buffer and read by the DSP. A transmitted message which is placed by the DSP as octets in the Transmit buffer, is transmitted bit by bit over the line.

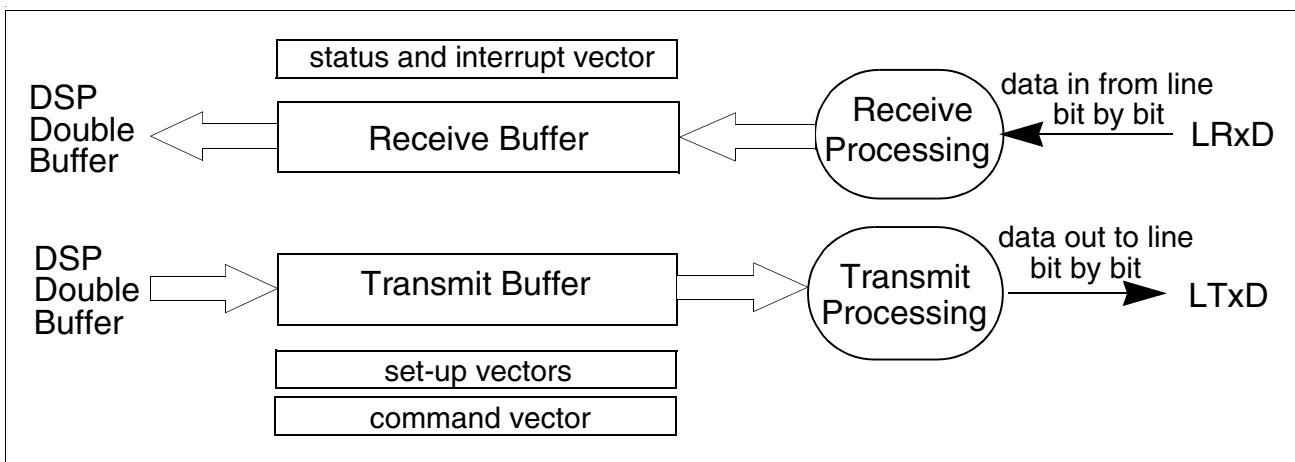


Figure 4-12 Data Processing in the GHDLC

### 4.7.2 GHDLC Channel External Configurations

The GHDLC line interface may be connected to other ICs in three different ways:

- Point-to-point
- Point-to-multi-point
- Multi-slave

### 4.7.3 GHDLC General Modes

The GHDLC provides three main modes of operation:

- **HDLC Mode:** In this mode flag recognition/insertion, zero deletion/insertion and CRC decoding/encoding are performed.
- **Asynchronous Mode:** This mode is used with request-to-send / clear-to-send handshaking. In this mode data is transmitted at a very slow rate of up to 300 baud and controlled directly by the DSP.

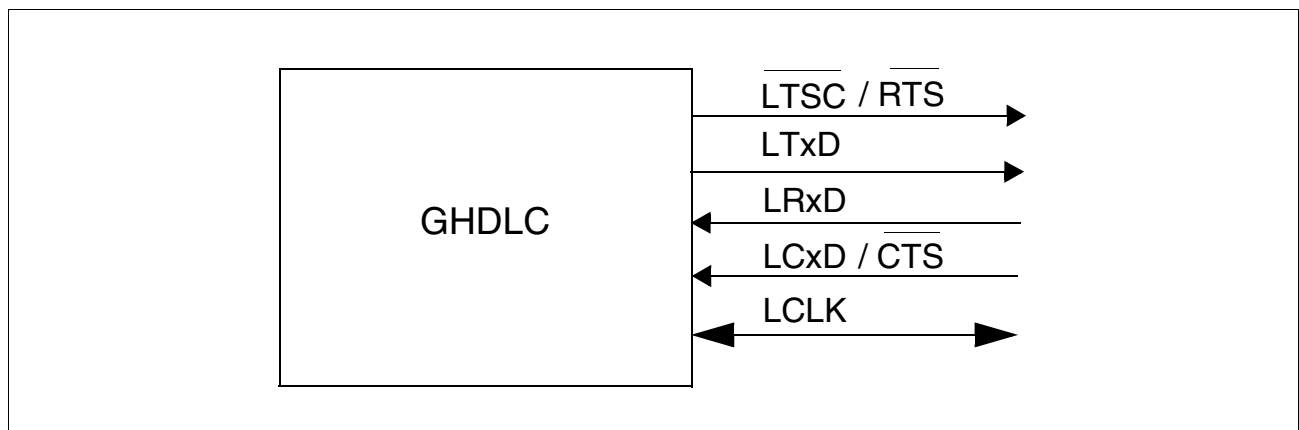
#### 4.7.4 GHDLC Protocol Features

The following GHDLC features related to the HDLC protocol may be selected in HDLC mode:

- **Collision Detection:** May be active or inactive (relates only to the transmit direction)
- **Flags / Ones Interframe:** Flags or Ones are transmitted between each frame (relates to both the transmit and receive direction)  
Note that transmitted messages always use unshared flags.
- **Shared / Unshared Flag:** In shared flag mode only one flag separates adjacent messages (relates only to the receive direction)
- **CRC Mode:** Three possible settings: 16-bit CRC / 32-bit CRC / No CRC (relates to both the transmit and receive directions, and only when operating in the HDLC mode).
- **Push-Pull / Open drain:** In push pull mode a pin may be driven to '1' or '0'. When in open drain mode a pin may be driven to '0' or high z.

#### 4.7.5 External Configuration and Handshaking in Bus Mode

The GHDLC is connected to the following DELIC interface lines:



**Figure 4-13 GHDLC Interface Lines**

Serial data is transceived over the LRxD/LTxD lines. The line clock can be driven by an external GHDLC device or can be generated internally by the PCM clocking path. The selected internal clock is also driven outward via LCLK.

##### 4.7.5.1 External Tri-State in Point-to-Multi-Point Mode

$\overline{LTSC}$  is the external tri-state control line. When  $\overline{LTSC}$  is high LTxD is disabled and in high impedance state. When  $\overline{LTSC}$  is low, LTxD may take on values 0 or 1 when in push pull mode, 0 or high impedance when in open drain mode.

#### 4.7.5.2 Arbitration of GHDLCs on a Collision Bus

Several GHDLC channels (in a point to multi-point configuration) may be connected to an external signaling backplane. Arbitration between them may be done in two ways: Polling or Collision Detection.

In **Polling** mode the GHDLC master (in a point to multi-point configuration) is responsible to prevent collisions on the line.

In this case a DELIC-slave has to be polled by the GHDLC-master with a special requesting frame. The DELIC GHDLC-unit simply receives this frame and passes it to the  $\mu$ P (like any other frame).

Now it's the task of the  $\mu$ P to handle the message and provide a corresponding answer message.

When using **Collision Detection** many GHDLCs may start transmitting at the same time. If the GHDLC detects a difference between the transmitted bit (LTxD) and the collision bit (LCxD), the transmission is aborted. The GHDLC will try to send the message again after the bus was detected idle for a specified time, according to its priority class (refer to ITU-T I.430, section 6.1.4).

#### 4.7.6 GHDLC Memory Allocation

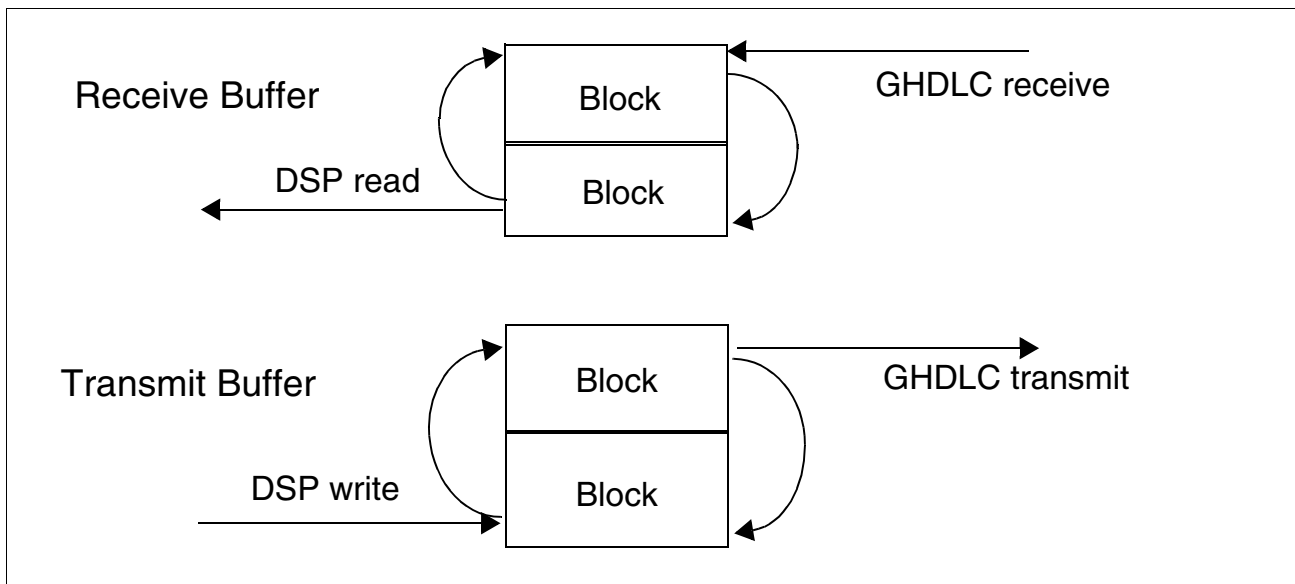
The memory in the GHDLC is build by a 128x8 bit RAM equally divided between the GHDLC and the DSP. The GHDLC has a receive buffer and a transmit buffer, divided into two blocks. One block is allocated to the GHDLC channel in the receive direction, the other block is read by the DSP. Similarly in the transmit buffer, one block is allocated to the GHDLC channel in the transmit direction, the other block is written to by the DSP as shown in **Figure 4-14**. Note that the GHDLC has higher priority for the buffer access, whereas the DSP is able to read and write the RAM at a much higher frequency.

In the receive direction blocks are swapped in two cases:

- The receive buffer is full. The swap is issued immediately after the buffer has become full.
- An end of a frame indication was detected at the beginning of a FSC-frame. To avoid a loss of data in case of a buffer full indication followed by an end of frame indication, this condition becomes only true if additionally there was no **FULL** interrupt during the previous frame.

In the transmit direction blocks are swapped each time a start transmission command is issued in the command register.





**Figure 4-14 GHDLC Receive and Transmit Buffer Structure**

The GHDLC unit and DSP always read and write to different areas in the RAM. Memory is equally allocated to each of the receive and transmit buffer blocks (32 bytes each).

The DSP always writes to the block addresses. The switching between blocks is done internally and does not concern the DSP.

#### 4.7.7 GHDLC Interrupts

**Full Interrupt:** A full interrupt is generated if:

- The receive buffer is full. The interrupt is issued immediately after the buffer has become full.
- An end of a frame indication was detected at the beginning of a FSC frame. To avoid a loss of data in case of a buffer full indication followed by an end of frame indication, this condition becomes only true if additionally there was no **FULL** interrupt during the previous frame.

**Empty Interrupt:** An empty interrupt is generated every time a transmit buffer was emptied by the GHDLC.

*Note: Messages with zero byte data content are not supported.*

## 4.8 DSP Control Unit

### 4.8.1 General

The DCU controls the DSP access to DELIC’s blocks. It performs the following tasks:

- DSP program and data address decoding
- Interrupt handling
- Data Bus and Program Bus arbitration
- DSP run time statistics
- Boot support
- Emulation support

### 4.8.2 DSP Address Decoding

The DCU decodes the DSP data address bus (DXAP) and the DSP program address bus (PPAP) for performing the following tasks:

- Generating the DSP memory mapped register controls, based on decoding of the 8 MSB lines of the data address bus
- Generating the GHDLC, TRANSIU, HDLCU, IOMU and PCMU RAM controls
- Generating program and data RAM controls upon detection of their address
- Generating the read signal for the program ROM

### 4.8.3 Interrupt Handling

The following events are reported by the various telecom peripheral blocks to the DSP:

- GHDLC
- DMA mailbox
- $\mu$ P mailbox
- IOM interface Frame synchronization (FSC) interrupt
- PCM interface Frame synchronization (PFS) interrupt

The GHDLC, DMA Mailbox and Microprocessor Mailbox interrupt sources are assigned to the DSP interrupts (INT0, INT1 and INT2) as shown in **Table 4-14**. The FSC and PFS are reported as status bits (require DSP polling) in the Status Event Register (STEVE).

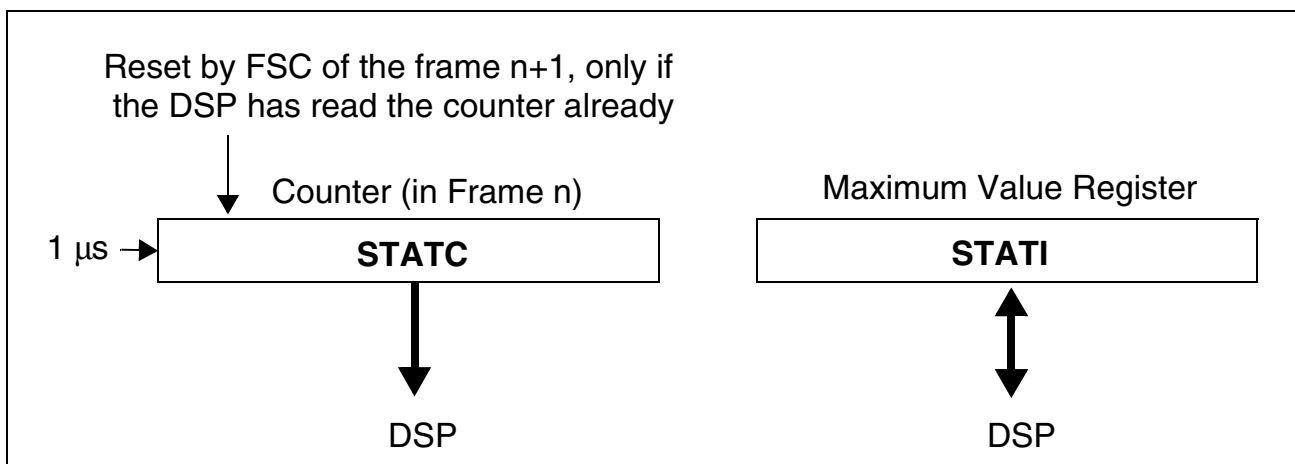
**Table 4-14 Interrupt Map**

Interrupt	Source
INT0	$\mu$ P DMA Mailbox
INT1	$\mu$ P General Mailbox
INT2	FSC & PFS
NMI	GHDLC

*Note: The NMI interrupt maybe enabled/disabled in the INTMASK register.*

#### 4.8.4 DSP Run Time Statistics

The DSP run time statistics is used for the DSP work load estimation. By using this HW, the maximum time spent by the DSP from the FSC until the tasks ends may be found. The DSP statistics include an eight bit counter STATC which is counting up every 1 $\mu$ s.



**Figure 4-15 Statistics Registers**

STATC is reset upon FSC rising edge. When the DSP finishes a task, it reads STATC. The time between two consecutive FSC is always 125  $\mu$ s, therefore, if the DSP is working properly, the counter value should always be less than 125  $\mu$ s.

If the DSP failed to read the counter value and a new FSC rising edge has arrived, the counter is not reset. Therefore, the DSP reads a value greater than 125. It means that the DSP failed to finish its tasks within the time frame of 125  $\mu$ s.

The STATI register is added for helping the user to perform the statistics. STATI is a general purpose 8-bit read/write register.

The user program should perform statistics in the following way:

- The STATC is reset upon detection of FSC rising edge.
- The DSP finishes its activities and reads the value of STATC and STATI. The DSP compares STATC to the previous maximum value saved in STATI.
- If the new value is larger, it is written to STATI.

The system programmer can get the counter value via  $\mu$ P Mailbox and thus can change the DSP program.

#### 4.8.5 Data Bus and Program Bus Arbitration

The internal data bus (GEXDBP) and program data bus (GIP) are tristate buses. Since these buses must never float, the DCU keeps track of the bus activities. If during a dedicated cycle no driver is on the bus, the DCU puts a default value on the bus.

#### 4.8.6 Boot Support

The  $\mu$ P boot is the process which loads the external  $\mu$ P program RAM via the  $\mu$ P Mailbox into the on-chip DSP program RAM. The boot is controlled by a boot routine residing in the internal DSP program ROM. This routine is started upon DELIC reset according to the  $\overline{\text{BOOT}}$  strap pin status.

The second boot option is the emulation boot, which loads the monitor (BI routine) to the program RAM. This routine enables the PC emulator to control the DSP.

At system start-up the program code for the DSP is transferred into the internal RAM from the external uP. The contents for the program and data boot is delivered in a so called HEX file.

The code format of the HEX file is the following:

```
Code, :, 16 bit address, 16 bit opcode
C:0000 4180
C:0001 0018
C:0004 4180
C:0005 00BA
C:0006 4180
C:0007 00BD
C:000E 4180
C:000F 00BE ...
```

The program boot starts with the "Start Loading Program RAM" command which is coming from the DELIC boot routine.

```
OCMD = 0x1F
```

This command must be polled from the uP because the interrupt is still not activated.

The uP confirms this with the "Start Boot" command.

```
MCMD = 0x55
```

The program code is now transferred in pieces of maximum 15 words by use of the "Write Program Memory Command".

```
MDT0 = 0xDESTINATION_ADDRESS
```

```
MDTn = 0xOPCODE_WORDn
```

```
MCMD = 0xAn [n=1..15 number of code words to write to address++]
```

## **Functional Description**

Before writing this command, the uP must check that the mailbox is free. This is done by reading the MBUSY bit (bit 7 of address 0x41). The uP must wait until this bit is reset before sending the next command.

Missing addresses in the HEX file must not be loaded. The "Write Program Memory Command" must be repeated until the program code is fully loaded. The end of the code segment inside the HEX file is the change from C: (code) to D: (data). This is the start of the data segment, which is needed for the Data Boot, described in the next step.

After all the code has been loaded, the "Finish Boot" command must be sent:

MCMD = 0x1F

### **4.8.7 Reset Execution and Boot Strap Pin Setting**

The reset is executed via low signals on the DELIC RESET pin (29) and the VIP RESET pin (44). It is recommended to connect the VIP RESET inputs to the DELIC RESIND output pin (89). The RESIND signal is a delayed reset signal and stays at least 500 us after termination of the DELIC RESET input. This mechanism ensures that all output clocks of the DELIC have become stable even after a short reset was applied. Connecting the VIP reset to this RESIND signal ensures stable VIP clocking after reset (Layer1 clock, DCL2000, FSC).

Together with applying the reset signal to the DELIC, the strap pin signals must be defined. There are 9 pins at the DELIC device which have a special functionality. These so called strap pins are used as inputs while reset is active and determine different modes like master/ slave mode of the PCM interface, test modes, boot mode,... Please refer to **page 2-28** for detailed information about the strap pin options.

The settings of the strap signals are sampled with the rising edge of the DELIC RESET input signal. For a uP- boot, the default settings of strap 4 (emulation boot) and strap 6 (boot strap) are needed.

After a correct reset execution and strap pin setting, the DELIC sends the command "Start Loading Program RAM" to the uP: OCMD = 0x1F

## 4.9 General Mailbox

### 4.9.1 Overview

The  $\mu$ P and the DSP communicate via a bidirectional Mailbox according to the mailbox protocol described in **Chapter 11**. The DELIC provides two dedicated Mailboxes that may be used in two operational modes:

- **DMA mode** in which the two Mailboxes operate independently, one serves as a general purpose Mailbox and the other serves as a DMA Mailbox.
- **Expanded Mailbox mode** in which the two Mailboxes are regarded as a enlarged general purpose Mailbox, providing a double number of registers.

The general purpose Mailbox includes two separate parts:

- **$\mu$ P Mailbox** - enables transfers from the  $\mu$ P to the OAK.
- **OAK DSP Mailbox** - enables transfers from the OAK to the  $\mu$ P.

Both parts include a command register, 9 x (16-bit) registers (17 registers in expanded mode) and a busy bit. One of the data registers in every part has a special addressing mode, i.e. the OAK may access either a certain byte of a word or the whole word which is temporarily stored in the Mailbox. This requires to use 3 different addresses in OAK's direction.

*Note: The Mailbox protocol commands structure is described in **Chapter 11**.*

### 4.9.2 $\mu$ P Mailbox

The  $\mu$ P Mailbox includes:

- Eight 16-bit data registers (MDT<sub>n</sub>)
- A 16-bit general register (MGEN)
- An 8-bit command register (MCMD)
- A 1-bit busy register (MBUSY)

Registers MDT<sub>n</sub>, MGEN and MCMD may be written by the  $\mu$ P and read by the OAK. The MBUSY register may be written by the DSP and read by the  $\mu$ P.

A write of the  $\mu$ P to the MCMD-register of the  $\mu$ P-mailbox generates an interrupt to the OAK. Thus, the user has to provide all mailbox data prior to writing to register MCMD.

The MBUSY **bit** which may be read by the  $\mu$ P (register MBUSY) is set automatically after a write to the  $\mu$ P command register (MCMD) and reset automatically by a direct OAK write operation to it.

*Note: The command Opcodes are defined in **Chapter 11**.*

#### Data Transfer from the $\mu$ P to the OAK

- The  $\mu$ P reads the busy bit and checks whether the Mailbox is available (MBUSY='0')

## Functional Description

- The  $\mu$ P writes to the Data registers MDTn(optional)
- The  $\mu$ P writes to the  $\mu$ P Command register (MCMD), this write must be performed and sets automatically the  $\mu$ P Mailbox busy bit (MBUSY).
- An OAK interrupt (INT2) is activated due to the write to the Command register (MCMD).
- The OAK INT2 routine reads MCMD and performs the command (the read of the command register resets the INT2 activation signal).
- When finished, the INT2 routine resets MBUSY for enabling the  $\mu$ P to send the next command.

*Note: The  $\mu$ P may perform consecutive writes to the  $\mu$ P Mailbox, and the user must guarantee that the data has been transferred to the OAK correctly (the busy bit has been reset) before writing new data to the  $\mu$ P Mailbox.*

### 4.9.3 OAK Mailbox

The OAK Mailbox includes:

- Eight 16-bit data registers (ODTx)
- A 16-bit general register (OGEN)
- An 8-bit command register (OCMD)
- A 1-bit busy register (OBUSY)

Registers ODTx, OGEN and OCMD may be written by the OAK and read by the  $\mu$ P. The OBUSY bit may be written by the  $\mu$ P and read by the OAK. In addition, the  $\mu$ P can read this bit (because the  $\mu$ P could poll this bit).

A write of the OAK to register OCMD of the OAK mailbox generates an interrupt to the  $\mu$ P. Thus the OAK firmware provides all mailbox data prior to writing to register OCMD.

The OBUSY- bit which can be read by the OAK, is set automatically after a write of the OAK to register OCMD and is reset by a direct  $\mu$ P write to it (when the  $\mu$ P has finished reading the OAK Mailbox contents).

*Note: The Opcodes indications are defined in **Chapter 11**.*

### Data Transfer from the OAK to the $\mu$ P

- The OAK reads the busy bit and checks whether the MB is available (OBUSY='0')
- The OAK writes to the data registers ODTn (optional)
- The OAK writes to the command register (OCMD). This write must be performed and automatically sets the OAK Mailbox busy bit (OBUSY)
- A  $\mu$ P interrupt is activated due to the write operation to the register OCMD.
- The  $\mu$ P reads the command register and performs the command.
- When finished, the  $\mu$ P resets OBUSY for enabling the OAK to send the next command.

---

**Functional Description**

*Note: The OAK may perform consecutive writes to the OAK Mailbox and the OAK firmware guarantees that the data has been transferred to the  $\mu P$  correctly (OBUSY has been reset) before writing new data to the OAK Mailbox.*



## 4.10 DMA Mailbox

### 4.10.1 Overview

This Mailbox is used for DMA transfers of data in “memory-to-memory” or “flyby” modes. In a special mode, it may be used as an extension to the General Purpose Mailbox.

The transfer is done similarly to the general Mailbox, with some differences:

1. There are 2 configurations: DMA, and secondary Mailbox.
2. The master of the transfer in DMA mode is always the OAK.

The DMA Mailbox includes two separate parts:

- **Transmit ( $\mu$ P) Mailbox** for fast transfers from the DMA ( $\mu$ P) to the GHDL (OAK).
- **Receive (OAK) Mailbox** for fast transfers from the GHDL (OAK) to the DMA ( $\mu$ P).

In transactions between  $\mu$ P and OAK the later indicates when it is ready for transmit / receive operation by driving DREQT/DREQR high, and  $\mu$ P replies by driving  $\overline{\text{DACK}}$  low.  $\overline{\text{DACK}}$  acts like a Chip Select signal and remains low during the whole transaction. By driving  $\overline{\text{DACK}}$  high the DMA may stop the transaction on any stage, even if the data transfer has not finished yet.

There are two possible modes in DMA transfers: Memory-to-memory and Flyby. Selecting these modes is done by writing “1” or “0” to the Configuration Register.

The mode of DMA’s operation depends on the  $\mu$ P that initiates a DMA transfer (Intel/Siemens or Motorola). This mode information is provided via the MODE input pin of the DELIC.

The number of bytes (words) to be transferred is written to TX\_CREG and copied to TX\_COUNT.

After finishing a transaction, INT1 is issued to the DSP in order to indicate that the Mailbox is empty and available for the next operation.

### 4.10.2 Intel/Siemens Mode and Motorola Mode (Memory-to-Memory)

In Intel/Siemens mode the control lines are  $\overline{\text{DACK}}$ ,  $\overline{\text{RD}}$ ,  $\overline{\text{WR}}$ . Driving  $\overline{\text{RD}}$  low when  $\overline{\text{DACK}}$  is low causes a ‘Read’ from the Mailbox. Driving  $\overline{\text{WR}}$  low when  $\overline{\text{DACK}}$  is low causes a ‘Write’ to the Mailbox.

In Motorola mode the control lines are  $\overline{\text{DACK}}$ ,  $\overline{\text{R}/\overline{\text{W}}}$ ,  $\overline{\text{DS}}$ . Driving  $\overline{\text{R}/\overline{\text{W}}}$  high when  $\overline{\text{DACK}}$  and  $\overline{\text{DS}}$  are low causes a ‘Read’ from the Mailbox. Driving  $\overline{\text{R}/\overline{\text{W}}}$  low when  $\overline{\text{DACK}}$  and  $\overline{\text{DS}}$  are low causes a ‘Write’ to the Mailbox.

### 4.10.3 Fly-By Mode

In Fly-By mode DMA transfer is done in one bus transaction. The DMA should provide a ‘Read’ command to the Mailbox and, at the same time, a ‘Write’ command to the system memory (or a ‘Write’ to the Mailbox and a ‘Read’ to the memory). The system memory

## Functional Description

must always get a 'Write' command for a write operation or a 'Read' for a read operation. The Mailbox, however, reacts in the opposite way: it writes (puts data into a register) upon receiving a 'Read' command and reads (drives data on the bus) upon receiving a 'Write' command.

### 4.10.4 PEC Mode

The additional mode which is possible in work with some Siemens  $\mu$ Ps is PEC mode. In this case DMA controller is edge sensitive, so edges are provided on DREQ lines in order to initiate every DMA transfer.

### 4.10.5 Transmit Mailbox

The Transmit Mailbox includes:

- 18-byte FIFO which is accessed by the OAK (for Read) as 9 "regular" addressed 16-bit-wide registers and by the DMA (for Write) like a FIFO. One of the nine registers is a "special" register like in the General Mailbox and has 3 addresses associated with it.
- 5-bit counter for the general number of transactions in current transfer (TX\_CREG)
- 5-bit counter for the number of transactions that remains in the transfer (TX\_CNT).
- 1-bit status register (TX\_STAT).

The OAK is always the master of this transfer, i.e. the transfer is initiated by the OAK, but the functions of control and arbitration during the transfer are done by the DMA.

For **DMA request**, the OAK requests transfer of data to the high-speed GHDLIC channel. It writes the number of bytes needed to the TX\_CREG register which sets TX\_BSY bit, and causes the assertion of DREQT ("DMA Request Transmit") pin.

For **DMA acknowledge**, the DMA grants the bus to OAK by driving  $\overline{\text{DACK}}$  low, and begins toggling the control lines. In Intel/Siemens (Mem-to-Mem) mode it drives the  $\overline{\text{WR}}$  line low when it writes to the Mailbox, and high when it reads from the memory on the second side.  $\overline{\text{RD}}$  line stays high during the complete transfer, because there are no 'Read' operations from here.  $\overline{\text{DACK}}$  is low all the time. In Motorola (Mem-to-Mem) mode it drives  $\overline{\text{R/W}}$  line low for 'Write' operations when  $\overline{\text{DACK}}$  and  $\overline{\text{DS}}$  are low; when DMA refers to the external memory, it drives  $\overline{\text{DS}}$  high.

Note that in Fly-by mode the meaning of 'Read' and 'Write' commands is opposite for the Mailbox. After every 'Write' operation the counter (TX\_CNT) is decremented by one. If the DMA stops the transaction before finishing, it has to drive  $\overline{\text{DACK}}$  high. The OAK continues driving DREQT high, stops decrementing TX\_CNT and waits until  $\overline{\text{DACK}}$  becomes low.

After a write of TX\_CREG bytes by the DMA to the Transmit Mailbox, the TX\_CNT becomes '0'. Then TX\_BSY bit is reset to '0', and DREQT is deasserted. A reset of TX\_BSY bit may be programmed to generate an interrupt (INT1) to the OAK.

The OAK will then read TX\_CREG bytes from the Mailbox to the GHDLIC, the first byte being the LSB of the least significant word of the FIFO. Note that in case of an odd

## Functional Description

number of bytes to be transferred the last byte is available on the least significant byte of the last word in FIFO.

*Note: TX\_BSY is not an indication for the transaction partners. It may be used for internal software needs of the OAK.*

### Data Transfer via the Transmit Mailbox

- The OAK writes to TX\_CREG.
- DREQT is asserted ('high'), and TX\_BSY bit is set ('1').
- The DMA asserts  $\overline{DACK} = 0$  and issues TX\_CREG write transactions to the Mailbox.
- DREQT is deasserted ('low'), and TX\_BSY bit is reset ('0').
- If TX\_MASK bit is reset ('0'): an OAK interrupt (INT1) is activated.
- The OAK reads the TX\_REG bytes in the Mailbox and transfers them to the GHDL.

*Note: 1. The OAK must not write to the TX\_CREG reg **before** TX\_BSY is reset.  
2. Writing '0' to TX\_CREG is not allowed.*

### 4.10.6 Receive Mailbox

The Receive Mailbox includes:

- 18-byte FIFO which is accessed by the OAK (for write) as 9 "regular" addressed 16-bit wide registers, and by the DMA (for read) like a FIFO. One of the nine registers is a "special" register like in the General Mailbox and has 3 addresses associated with it.
- 5-bit counter for the general number of transactions in current transfer (RX\_CREG).
- 5-bit counter for number of transactions that remains in the transfer (RX\_CNT).
- 1-bit status register (RX\_STAT).

Like in the Transmit Mailbox, the OAK is always the master of this transfer, i.e. the transfer is initiated by the OAK, but controlled by DMA.

When the OAK requests a transfer of data from the high-speed GHDL channel, it writes this data to the Receive Mailbox, the first byte to the least significant byte of the least significant word. Note that in case of odd number of bytes, the most significant byte of the last word is don't care.

Then, the OAK writes the number of bytes needed to the RX\_CREG register which sets RX\_BSY bit, and causes the assertion of DREQR ("DMA Request Receive") pin.

If DMA grants the bus to OAK, it drives  $\overline{DACK}$  low and begins toggling the control lines. In Intel/Siemens (Mem-to-Mem) mode it drives  $\overline{RD}$  line low when it reads from the Mailbox and high when it writes to the memory.  $\overline{WR}$  line stays high during the complete transfer, because there are no 'Write' operations from here.  $\overline{DACK}$  is low all the time. In Motorola (Mem-to-Mem) mode it drives  $R/\overline{W}$  line high for 'Read' operations when  $\overline{DACK}$  and  $\overline{DS}$  are low; when DMA refers to the external memory, it drives  $\overline{DS}$  high.

Note that in Fly-by mode the meaning of 'Read' and 'Write' commands is opposite for the Mailbox. After each 'Read' operation the counter (RX\_CNT) is decremented by one. If

## Functional Description

the DMA stops the transaction before finishing, it has to drive  $\overline{\text{DACK}}$  high. The OAK continues driving DREQR high, stops decrementing RX\_CNT and waits until  $\overline{\text{DACK}}$  becomes low.

After a read of RX\_CREG bytes by the DMA from the Receive Mailbox, the RX\_CNT becomes '0'. Then RX\_BSY bit is reset to '0', and DREQR is deasserted. Reset of RX\_BSY bit may be programmed to cause an interrupt (INT1) to the OAK.

*Note: RX\_BSY is not an indication for the transaction partners. It may be used for internal software needs of the OAK.*

### Data Transfer via the Receive Mailbox

- The OAK writes RX\_CREG bytes to Receive Mailbox.
- The OAK writes to RX\_CREG.
- DREQR is asserted ('high'), and RX\_BSY bit is set ('1').
- The DMA asserts  $\overline{\text{DACK}}$  and issues RX\_CREG read transactions to the Mailbox.
- DREQR is deasserted ('low'), and RX\_BSY bit is reset ('0').
- If RX\_MASK bit is reset ('0'): an OAK interrupt (INT2) is activated.

*Note: 1. The OAK must not write to the RX\_CREG reg **before** RX\_BSY is reset.  
2. Writing '0' to RX\_CREG is not allowed.*

### 4.10.7 Access to the DMA FIFOs

The size of the FIFOs is 18 bytes (9 words) for each Tx and Rx. On the OAK side, each FIFO contains 9 registers (TDT0-8 and RDT0-8) which may be accessed separately. On the DMA side, only the current top of the FIFO is available.

The transfer is divided to bulks, the size of the current bulk is determined in the RX\_CREG/TX\_CREG.

#### Transmit FIFO

This FIFO is written by the DMA. The first write in a bulk will be to TDT0 least significant byte, the second to TDT0 most significant byte, etc., until the size of the current bulk was reached. Then the OAK will read the data from the relevant TDTn registers.

#### Receive FIFO

This FIFO is written by the OAK. The OAK fills RDT0 to RDTn. The DMA will then read consecutive bytes from the FIFO, where the first byte will be RDT0 least significant byte, the 2nd RDT0 most significant byte, etc. until the size of the current bulk was reached.

*Note: This Rx FIFO and Tx FIFO functionality is only provided when the Mailbox is in DMA mode (CFG:DMA = '1'). In case of non DMA mode (CFG:DMA = '0'), the FIFOs are used as secondary (extension) to the General Purpose Mailbox, which means that the General Purpose Mailbox will have 18 words for **each** direction (OAK and  $\mu P$ ), instead of 9.*

#### **4.11 DSP Core OAK+**

The DELIC integrates an OAK+ DSP core, an enhanced version of the OAK. It is clocked using an on-chip PLL at a frequency of 61.44 MHz. It may also be driven by lower clock rates provided by an external oscillator.

The OAK+ is a high performance fixed-point DSP with a 16-bit data and program bus. Due to an optimized cost-performance rate, it is widely used not only in Line Cards and PBX applications, but also in cellular phones, fast modems, advanced fax machines, and answering machines.

The core's main block is a high performance central processing unit, including a full-featured bit manipulation unit, RAM and ROM addressing units, and Program control logic. All other application specific peripheral blocks, are defined as part of the user on-chip logic.

The OAK+ provides an advanced set of DSP and generic microprocessor functions for straightforward generation of efficient and compact code.

For more details on OAK architecture please refer to "DOC DSP Programmer's Reference Manual, 11.97".

## 4.12 Clock Generator

### 4.12.1 Overview

The DELIC clock generator provides all necessary clock signals for the DELIC and connected clock slave devices. The internal clocks are generated by two on-chip PLLs:

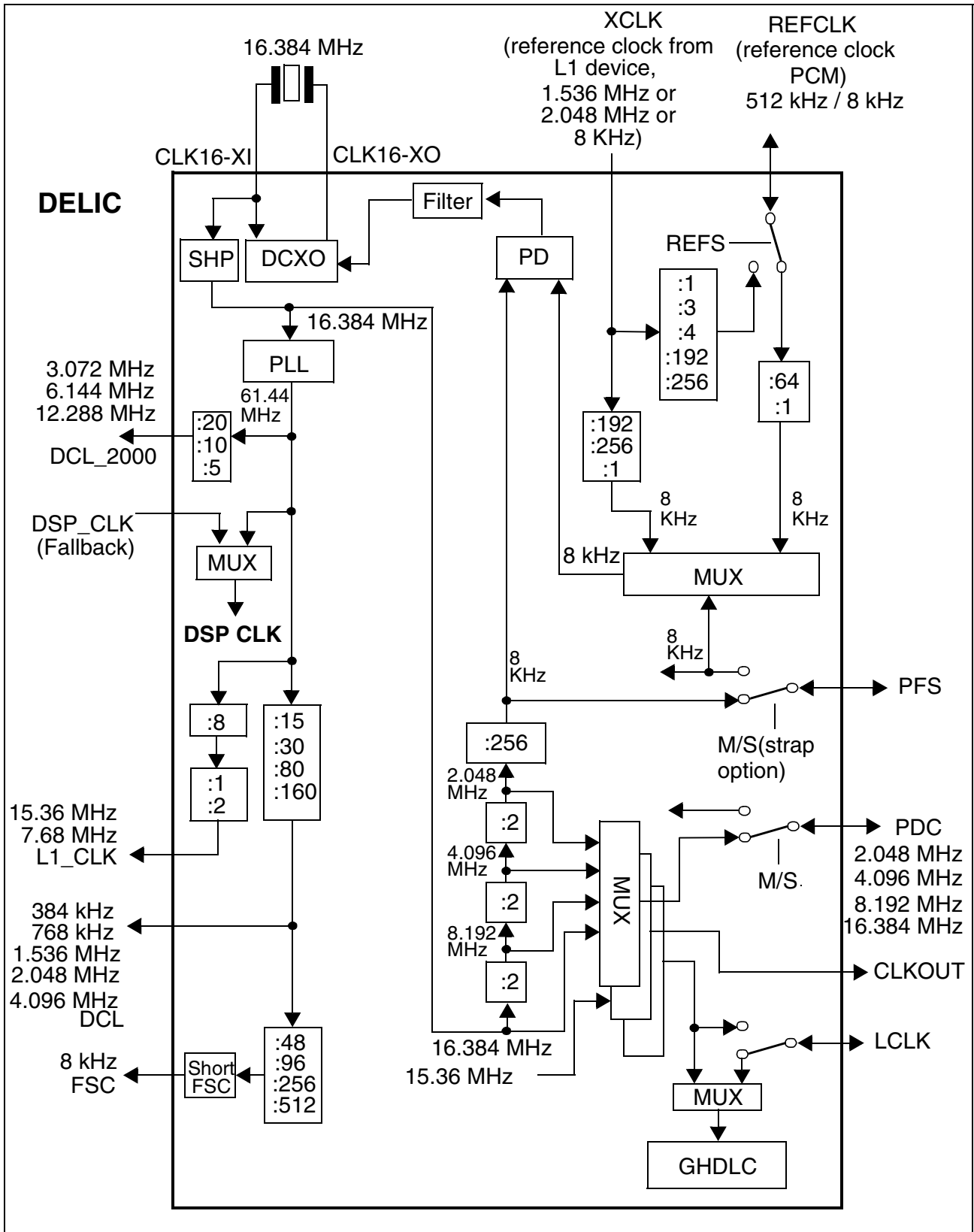
1. A digital controlled oscillator (DCXO) generates a 16.384 MHz clock from an external crystal.
2. A PLL multiplies the 16.384 MHz clock to a 61.44 MHz clock.

An overview of the clock signals and a block diagram is shown below.

**Table 4-15 Overview of Clock Signals**

Pin	Function	I/O	During Reset
CLK16-XI	16.384 MHz External Crystal Input	I	I
CLK16-XO	16.384 MHz External Crystal Output	O	O
XCLK	External Reference Clock from layer-1 IC (2.048 MHz, 1.536 MHz or 8 kHz)	I	I (1.536 MHz)
REFCLK	PCM Reference Clock (8 kHz or 512 kHz)	I/O	tristate
PFS	PCM Frame Synchronization 8 kHz (I/O) or 4 kHz (I)	I/O	I (Slave) O (Master)
PDC	PCM Data Clock (2.048, 4.096, 8.192 or 16.384 MHz)	I/O	I (Slave) O (Master) (2.048 MHz)
CLKOUT	Auxiliary Clock (2.048, 4.096, 8.192, 16.384, or 15.36 MHz)	O	O (2.048 MHz)
DCL_2000	IOM-2000 Data Clock (3.072, 6.144 or 12.288 MHz)	O	O (3.072 MHz)
DCL	IOM-2 Data Clock (384 kHz, 768 kHz, 2.048 MHz or 4.096 MHz)	O	O (384 kHz)
FSC	IOM-2 and IOM-2000 Frame Synchronization 8 kHz.	O	O
L1_CLK	Layer-1 Clock 15.36 or 7.68 MHz (e.g. OCTAT-P / QUAT-S)	O	O (7.68 MHz)
DSP_CLK	DSP Test Clock. (to run the DSP at clock rates other than 61.44 MHz)	I	I

**Functional Description**



### 4.12.2 DSP Clock Selection

The default DSP clock is the internal 61.44 MHz generated by the PLL. For test purpose, a different frequency may be provided via DSP\_CLK input pin. The selection between the internal 61.44 MHz or external clock source is done by the DSP\_FRQ input pin.

### 4.12.3 PCM Master/Slave Mode Clocks Selection

In PCM Master mode, the PFS and PDC are derived from the internal 16.384 MHz signal, and driven to the PCM interface via the PFS pin (output) and PDC pin (output). In PCM Slave mode, the PFS and PDC are generated from an external signal, and input to the DELIC via the PFS pin and the PDC pin.

*Note: During reset, a strap pin determines whether the DELIC operates in clock Master or Slave mode.*

### 4.12.4 DELIC Clock System Synchronization

The PCM clock division chain is synchronized to an external reference clock, used as one of the inputs to a phase comparator, after being divided into 8 KHz. The other phase comparator input is the 8 KHz clock, derived from the 16.384 MHz clock. The phase comparator output is used as control input of the DCXO, after being filtered by a low-pass filter. The reference clock can be driven by one of the following input pins:

- XCLK - 2.048 MHz, 1.536 MHz or 8 KHz:  
Can be driven by a layer-1 transceiver (e.g. VIP, QUAT-S) connected to the Central Office. Only a clock master DELIC can be synchronized directly according to this input. In other cases (clock slave DELIC), this input signal may be divided to 8 KHz or 512 KHz, and driven out via REFCLK, in purpose to be used for the synchronization of the clock-master DELIC.
- REFCLK - 512 KHz or 8 KHz:  
Used for synchronization of the clock master DELIC, when not synchronized by XCLK. Usually this signal is driven by a clock slave DELIC, or another PBX in the system. In a clock slave DELIC this pin is used as output.
- PFS - 8 KHz:  
Driven by the system clock master. May be used for synchronization of the clock slave DELICs. In a clock master DELIC this pin is used as output.

### 4.12.5 IOM-2 Clock Selection

The IOM-2 interface clocks FSC and DCL are always output.

The FSC output signal is usually generated with 50% duty cycle. A short FSC pulse is required for multiframe start indication (one DCL cycle long). One cycle after the short FSC pulse, the normal FSC is generated again with 50% duty cycle.



#### **4.12.6 IOM-2000 Clock Selection**

The IOM-2000 interface uses the same FSC like IOM-2, whereas the data clock DCL2000 is a dedicated pin (always output).

#### **4.12.7 REFCLK Configuration**

REFCLK is an I/O pin for synchronizing the PCM interface (to 8 kHz or 512 kHz).

The clock master DELIC may synchronize the internal clocks to REFCLK by selecting REFCLK as the reference clock source.

A clock slave DELIC may use REFCLK as output, when REFCLK is driven by the XCLK input pin. The slave DELIC may transfer the XCLK signal to the clock master DELIC, and enable the clock master to synchronize to a layer-1 device, which is connected to another DELIC in the system.

#### **4.12.8 GHDLIC Clock Selection**

Any of the next signals may be provided to the GHDLIC channel as input clock:

1. LCLK Input Pin

This option is possible only when a LNC interface is assigned to the GHDLIC unit.

2. 2.048 MHz, 4.096 MHz, or 8.192 MHz

These clock signals are generated internally by the PCM clocking path. The selected internal clock is also driven outward via LCLK.

Note that one of these signals must be selected as the clock of the GHDLIC channel when the DELIC is the clock master of this channel.

## 5 DELIC Memory Structure

The following tables provide the DELIC memory map for the DSP and the  $\mu$ P.

### 5.1 DSP Address Space

#### 5.1.1 DSP Register Address Space

**Table 5-1 DSP Registers Address Space**

Address	Description
D000 - D01F	DCU registers
D020 - D03F	A/ $\mu$ -law registers
D040 - D05F	IOMU registers
D060 - D07F	PCMU registers
D080 - D09F	Clocks registers
D0A0 - D0BF	TRANSIU registers
D0C0 - D0DF	GHDLC registers
D100 - D17F	$\mu$ P Mailbox and DMA Mailbox registers
D180 - D1FF	HDLCU registers
D1A0 - DFFF	not used

#### 5.1.2 DSP Program Address Space

**Table 5-2 DSP Program address space**

Address	Size	Description
0000 - 0FFF	4Kw	Program RAM
1000 - F7FF	58Kw	Not used
F800 - FFFF	2Kw	Program ROM

### 5.1.3 DSP Data Address Space

A1
**Table 5-3 Occupied DSP Data Address space**

Address	Size	Description
0000 - 03FF	1Kw	Internal XRAM
2000 - 203F	64w	GHDLC data buffer
2040 - 207F	64w	reserved for testt (**)
4000 - 401F	32w	HDLCU receive output buffer
4020 - 403F	32w	HDLCU transmit input buffer
4040 - 405F	32w	HDLCU command RAM
4060 - 407F	32w	HDLCU receive input buffer
4080 - 409F	32w	HDLCU transmit output buffer
40A0 - 40BF	32w	HDLCU status buffer
6000 - 605F	96w	TRANSIU receive data buffer
6080 - 60DF	96w	TRANSIU transmit data buffer
6100 - 61BF	192w	reserved for test (**)
6200 - 6248	72w	reserved for test (**)
6280 - 62C8	72w	reserved for test (**)
8000 - 803F	64w	IOMU receive data buffer
8040 - 807F	64w	IOMU transmit data buffer
8080 - 80FF	128w	reserved for test (**)
9000 - 9017	24w	HRAM for U <sub>PN</sub> scrambler
9020 - 9037	24w	HRAM for U <sub>PN</sub> descrambler
A000 - A07F	128w	PCMU receive data buffer
A080 - A0FF	128w	PCMU transmit data buffer
A100 - A1FF	256w	reserved for testt (**)
D000 - DFFF	4Kw	OAK memory mapped registers(*)
E000 - E1FF	0.5Kw	A/μ-Law ROM
F400 - F7EE	1Kw-16w	Emulation mail box (on SCDI)
F7F0 - F7FF	16w	OCEM <sup>®</sup> Registers
FC00 - FFFF	1Kw	Internal YRAM

**DELIC Memory Structure**

Note: (\*) The OAK memory mapped registers address space is described in the following table:

(\*\*) Accessing these addresses may cause unpredictable results

**Table 5-4 OAK memory mapped registers address space**

Address	Description
D000 - D01F	DCU registers
D020 - D03F	A/m-law registers
D040 - D05F	IOMU registers
D060 - D07F	PCMU registers
D080 - D09F	Clocks registers
D0A0 - D0BF	TRANSIU registers
D0C0 - D0DF	HDLCU registers
D100 - D17F	CPU+DMA mailbox registers
D180 - D1FF	GHDLC registers
D1A0 - DFFF	not used

**5.2 μP Address Space**

The μP address space consists of the general mail-box registers, the DMA mail-box registers (only in non-DMA mode), the μP-interface control register, and the μP-interface status register (MISR)

**Table 5-5 μP Address Space Table**

Address	Description
00 <sub>H</sub> - 43 <sub>H</sub> 60 <sub>H</sub> - 62 <sub>H</sub>	μP- mail box registers
48 <sub>H</sub> , 68 <sub>H</sub> , 6A <sub>H</sub>	μP-configuration registers
6B <sub>H</sub> - 7F <sub>H</sub>	Reserved. Accessing these addresses may cause unpredictable results

## 6 Register Description

### 6.1 Register Map

**Table 6-1 TRANSIU Register Map**

Reg Name	Access	Address	Reset Value	Comment	Page No.
TICR	RD/WR	D0A0 <sub>H</sub>	0000 <sub>H</sub>	IOM-2000 global configuration	6-10
TCCR0	RD/WR	D0A1 <sub>H</sub>	FFFF <sub>H</sub>	Channel 7..0 configuration	6-11
TCCR1	RD/WR	D0A2 <sub>H</sub>	FFFF <sub>H</sub>	Channel 15..8 configuration	6-11
TCCR2	RD/WR	D0A3 <sub>H</sub>	FFFF <sub>H</sub>	Channel 23..16 configuration	6-11
VIPCMR0	WR	D0A8 <sub>H</sub>	0000 <sub>H</sub>	VIP_0 command registers	6-12
VIPCMR1	WR	D0A9 <sub>H</sub>	0000 <sub>H</sub>	VIP_1 command registers	6-12
VIPCMR2	WR	D0AA <sub>H</sub>	0000 <sub>H</sub>	VIP_2 command registers	6-12
VIPSTR0	RD	D0AC	0000 <sub>H</sub>	VIP_0 status register	6-14
VIPSTR1	RD	D0AD <sub>H</sub>	0000 <sub>H</sub>	VIP_1 status register	6-14
VIPSTR2	RD	D0AE <sub>H</sub>	0000 <sub>H</sub>	VIP_2 status register	6-14
TICCMR	WR	D0B0 <sub>H</sub> (LS-word) D0B1 <sub>H</sub> (MS-word)	0000 <sub>H</sub>  0000 <sub>H</sub>	Channel initialization command	6-15
TICSTR	RD	D0B2 <sub>H</sub> (LS-word) D0B3 <sub>H</sub> (MS-word)	0000 <sub>H</sub>  0000 <sub>H</sub>	Channel initialization status	6-20

**Table 6-2 Scrambler Register Map**

Reg Name	Access	Address	Reset Value	Comment	Page No.
SCMOD	RD/WR	D010 <sub>H</sub>	0003 <sub>H</sub>	Scrambler mode	6-21
SCSTA	RD/WR	D011 <sub>H</sub>	undef.	Scrambler status	6-21

**Register Description**
**Table 6-3 IOMU Register Map**

Reg Name	Access	Address	Reset Value	Comment	Page No.
ICR	R/W	D040 <sub>H</sub>	0002 <sub>H</sub>	IOMU Control	6-22
ISR	R	D041 <sub>H</sub>	undef.	IOMU Status	6-23
ITSCR	Set (W)	D042 <sub>H</sub>	0000 <sub>H</sub>	IOMU Tri-State Control	6-24
	Reset (W)	D043 <sub>H</sub>			
	R	D044 <sub>H</sub>			
IDRDYR	R	D045 <sub>H</sub>	undef.	IOMU DRDY	6-25
IDPR	R/W	D046 <sub>H</sub>	00E0 <sub>H</sub>	IOMU Data Prefix	6-26

**Table 6-4 PCMU Register Map**

Reg Name	Access	Address	Reset Value	Comment	Page No.
PCR	RD/WR	D060 <sub>H</sub>	00 <sub>H</sub>	PCMU Control	6-27
PSR	RD	D061 <sub>H</sub>	undef.	PCMU Status	6-28
PTSC0	RD/WR	D062 <sub>H</sub> (read/set) D063 <sub>H</sub> (read/reset)	00 <sub>H</sub>	PCMU Tristate control 0	6-29
PTSC1	RD/WR	D064 <sub>H</sub> (read/set) D065 <sub>H</sub> (read/reset)	00 <sub>H</sub>	PCMU Tristate control 1	6-29
PTSC2	RD/WR	D066 <sub>H</sub> (read/set) D067 <sub>H</sub> (read/reset)	00 <sub>H</sub>	PCMU Tristate control 2	6-29
PTSC3	RD/WR	D068 <sub>H</sub> (read/set) D069 <sub>H</sub> (read/reset)	00 <sub>H</sub>	PCMU Tristate control 3	6-29

**Register Description**
**Table 6-4 PCMU Register Map (Continued)**

Reg Name	Access	Address	Reset Value	Comment	Page No.
PTSC4	RD/WR	D06A <sub>H</sub> (read/set) D06B <sub>H</sub> (read/reset)	00 <sub>H</sub>	PCMU Tristate control 4	6-29
PTSC5	RD/WR	D06C <sub>H</sub> (read/set) D06D <sub>H</sub> (read/reset)	00 <sub>H</sub>	PCMU Tristate control 5	6-29
PTSC6	RD/WR	D06E <sub>H</sub> (read/set) D06F <sub>H</sub> (read/reset)	00 <sub>H</sub>	PCMU Tristate control 6	6-29
PTSC7	RD/WR	D070 <sub>H</sub> (read/set) D071 <sub>H</sub> (read/reset)	00 <sub>H</sub>	PCMU Tristate control 7	6-29
PDPR	RD/WR	D072 <sub>H</sub>	E0 <sub>H</sub>	PCMU Data Prefix	6-30

**Table 6-5 A-/μ-law Unit Register Map**

Reg Name	Access	Address	Reset Value	Comment	Page No.
AMCR	R/W	D020 <sub>H</sub>	00 <sub>H</sub>	A/μ-law Unit Control	6-31
AMIR	W	D021 <sub>H</sub>	undefined	A/μ-law Unit Input	6-31
AMOR	R	D022 <sub>H</sub>	undefined	A/μ-law Output	6-32

**Table 6-6 HDLCU Register Map**

Reg Name	Access	Address	Reset Value	Comment	Page No.
HCR	W	D180 <sub>H</sub>	0001 <sub>H</sub>	HDLC Control	6-33
HSTA	R	D180 <sub>H</sub>	0001 <sub>H</sub>	HDLC Status	6-34

**Register Description**
**Table 6-6 HDLCU Register Map (Continued)**

Reg Name	Access	Address	Reset Value	Comment	Page No.
HCCV	R/W	4040 <sub>H</sub> -405F <sub>H</sub>	undefined	Channel Command Vector	6-35
HCSV	R	40A0 <sub>H</sub> -40BF <sub>H</sub>	undefined	Channel Status Vector	6-36

**Table 6-7 GHDLC Register Map**

Reg Name	Access	Address	Reset Value	Comment	Page No.
GTEST	W	D0C0 <sub>H</sub>	0001 <sub>H</sub>	GHDLC Test/ Normal Mode	6-38
GCHM	W	D0C1 <sub>H</sub>	0000 <sub>H</sub>	GHDLC Channel Mode	6-38
GINT	R	D0D4 <sub>H</sub>	0000 <sub>H</sub>	GHDLC Interrupt	6-39
GFINT	R/W	D0D3 <sub>H</sub>	0000 <sub>H</sub>	GHDLC Frame Interrupt	6-39
GRSTA0	R	D0C2 <sub>H</sub>	001F <sub>H</sub>	GHDLC Receive Status cha. 0	6-40
GRSTA1	R	D0C3 <sub>H</sub>	001F <sub>H</sub>	GHDLC Receive Status cha. 1	6-40
GRSTA2	R	D0C4 <sub>H</sub>	001F <sub>H</sub>	GHDLC Receive Status cha. 2	6-40
GRSTA3	R	D0C5 <sub>H</sub>	001F <sub>H</sub>	GHDLC Receive Status cha. 3	6-40
RXDAT	RD	2000 <sub>H</sub> -203F <sub>H</sub>	0000 <sub>H</sub>	Receive data and status	6-41
GMOD0	W	D0C6 <sub>H</sub>	0140 <sub>H</sub>	GHDLC Mode cha. 0	6-42
GMOD1	W	D0C7 <sub>H</sub>	0140 <sub>H</sub>	GHDLC Mode cha. 1	6-42
GMOD2	W	D0C8 <sub>H</sub>	0140 <sub>H</sub>	GHDLC Mode cha. 2	6-42
GMOD3	W	D0C9 <sub>H</sub>	0140 <sub>H</sub>	GHDLC Mode cha. 3	6-42
GTCMD0	W	D0CA <sub>H</sub>	0000 <sub>H</sub>	GHDLC TX Command cha. 0	6-43
GTCMD1	W	D0CC <sub>H</sub>	0000 <sub>H</sub>	GHDLC TX Command cha. 1	6-43
GTCMD2	W	D0CE <sub>H</sub>	0000 <sub>H</sub>	GHDLC TX Command cha. 2	6-43
GTCMD3	W	D0D0 <sub>H</sub>	0000 <sub>H</sub>	GHDLC TX Command cha. 3	6-43
GASYNC	R/W	D0D2 <sub>H</sub>	0000 <sub>H</sub>	ASYNC Control/ Status	6-44
GLCLK0	R/W	D08A <sub>H</sub>	0000 <sub>H</sub>	LCLK0 Control Register	6-45
GLCLK1	R/W	D08B <sub>H</sub>	0000 <sub>H</sub>	LCLK1 Control Register	6-46
GLCLK2	R/W	D08C <sub>H</sub>	0000 <sub>H</sub>	LCLK2 Control Register	6-47



**Register Description**
**Table 6-7 GHDLC Register Map (Continued)**

Reg Name	Access	Address	Reset Value	Comment	Page No.
GLCLK3	R/W	D08D <sub>H</sub>	0000 <sub>H</sub>	LCLK3 Control Register	6-48
MUXCTRL	R/W	D14A <sub>H</sub>	0000 <sub>H</sub>	Multiplexer Control	6-49

**Table 6-8 DCU Register Map**

Reg Name	Access	Address	Reset Value	Comment	Page No.
IMASK	R/W	D002 <sub>H</sub>	0000 <sub>H</sub>	Interrupt Mask	6-50
STEVE	R	D003 <sub>H</sub>	0000 <sub>H</sub>	Status Event	6-50
STATC	R	D004 <sub>H</sub>	unchan.	Statistics Counter	6-51
STATI	R	D005 <sub>H</sub>	0000 <sub>H</sub>	Statistics	6-52

**Table 6-9  $\mu$ P Configuration Register Map**

Regist. (16 bit)	Des-cription	Reset Value	Bit	DSP Word Access	$\mu$ P Byte Access	$\mu$ P-Addr. MSB of Word	$\mu$ P-Addr. LSB of Word	DSP Addr.	Page No.
MCFG	configuration	0 <sub>H</sub>	6	R	R/W	none	48 <sub>H</sub>	D148 <sub>H</sub>	6-52
VDEV	device version	hardwired	8	none	R	none	6A <sub>H</sub>	none	6-54
IVEC	int vector reg	un-changed	8	R/W	R	none	68 <sub>H</sub>	D168 <sub>H</sub>	6-54

**Register Description**
**Table 6-10 General Mailbox Register Map**

Register (16 bit)	Description	Reset Value	Bit	DSP Word Access	μP Byte Acc.	μP-Addr. MSB of Word	μP-Addr. LSB of Word	DSP Addr.	Page No.
MCMD	μP command	00 <sub>H</sub>	8	R	W	none	40 <sub>H</sub>	D140 <sub>H</sub>	6-55
MBUSY	μP MB busy	0 <sub>H</sub>	1	W	R	41 <sub>H</sub>	none	D141 <sub>H</sub>	6-55
MGEN	μP generic data reg.	unchanged	16	R	W	43 <sub>H</sub>	42 <sub>H</sub>	D142 <sub>H</sub> (LSB) D143 <sub>H</sub> (MSB) D144 <sub>H</sub> (All)	6-56
MDT0	μP data reg0	unchanged	16	R	W	01 <sub>H</sub>	00 <sub>H</sub>	D100 <sub>H</sub>	6-57
MDT1	μP data reg1	unchanged	16	R	W	03 <sub>H</sub>	02 <sub>H</sub>	D102 <sub>H</sub>	6-57
MDT2	μP data reg2	unchanged	16	R	W	05 <sub>H</sub>	04 <sub>H</sub>	D104 <sub>H</sub>	6-57
MDT3	μP data reg3	unchanged	16	R	W	07 <sub>H</sub>	06 <sub>H</sub>	D106 <sub>H</sub>	6-57
MDT4	μP data reg4	unchanged	16	R	W	09 <sub>H</sub>	08 <sub>H</sub>	D108 <sub>H</sub>	6-57
MDT5	μP data reg5	unchanged	16	R	W	0B <sub>H</sub>	0A <sub>H</sub>	D10A <sub>H</sub>	6-57
MDT6	μP data reg6	unchanged	16	R	W	0D <sub>H</sub>	0C <sub>H</sub>	D10C <sub>H</sub>	6-57
MDT7	μP data reg7	unchanged	16	R	W	0F <sub>H</sub>	0E <sub>H</sub>	D10E <sub>H</sub>	6-57
OCMD	DSP command	00 <sub>H</sub>	8	W	R	none	60 <sub>H</sub>	D160 <sub>H</sub>	6-57
OBUSY	DSP MB busy	0 <sub>H</sub>	1	R	R/W	61 <sub>H</sub>	none	D161 <sub>H</sub>	6-58
OGEN	DSP generic data reg	unchanged	16	W	R	63 <sub>H</sub>	62 <sub>H</sub>	D162 <sub>H</sub> (LSB) D163 <sub>H</sub> (MSB) D164 <sub>H</sub> (All)	6-59
ODT0	DSP data reg0	unchanged	16	W	R	21 <sub>H</sub>	20 <sub>H</sub>	D120 <sub>H</sub>	6-59

**Register Description**
**Table 6-10 General Mailbox Register Map (Continued)**

Register (16 bit)	Description	Reset Value	Bit	DSP Word Access	μP Byte Acc.	μP-Addr. MSB of Word	μP-Addr. LSB of Word	DSP Addr.	Page No.
ODT1	DSP data reg1	unchanged	16	W	R	23 <sub>H</sub>	22 <sub>H</sub>	D122 <sub>H</sub>	6-59
ODT2	DSP data reg2	unchanged	16	W	R	25 <sub>H</sub>	24 <sub>H</sub>	D124 <sub>H</sub>	6-59
ODT3	DSP data reg3	unchanged	16	W	R	27 <sub>H</sub>	26 <sub>H</sub>	D126 <sub>H</sub>	6-59
ODT4	DSP data reg4	unchanged	16	W	R	29 <sub>H</sub>	28 <sub>H</sub>	D128 <sub>H</sub>	6-59
ODT5	DSP data reg5	unchanged	16	W	R	2B <sub>H</sub>	2A <sub>H</sub>	D12A <sub>H</sub>	6-59
ODT6	DSP data reg6	unchanged	16	W	R	2D <sub>H</sub>	2C <sub>H</sub>	D12C <sub>H</sub>	6-59
ODT7	DSP data reg7	unchanged	16	W	R	2F <sub>H</sub>	2E <sub>H</sub>	D12E <sub>H</sub>	6-59

*Note: MDT8..15 and ODT8..15 are accessible only in non-DMA mode, when the DMA Mailbox data registers are used for doubling the size of General Mailbox.*

**Table 6-11 DMA Mailbox Register Map**

Register	Description	Reset Value	Bit	DSP Access	DMA / μP Acc.	μP MSB Addr.	μP LSB Addr.	DSP Addr.	Page No.
DTXCNT	Tx counter	0 <sub>H</sub>	4	R/W	none	none	none	D150 <sub>H</sub>	6-60
DINSTA	DMA Int status	0 <sub>H</sub>	4	R	none	none	none	D152 <sub>H</sub>	6-61
TDT0/ MDT8	Tx data reg0/ μP data reg8	un- changed	16	R	W	11 <sub>H</sub>	10 <sub>H</sub>	D110 <sub>H</sub>	6-57
TDT1/ MDT9	Tx data reg1/ μP data reg9	un- changed	16	R	W	13 <sub>H</sub>	12 <sub>H</sub>	D112 <sub>H</sub>	6-57
TDT2/ MDT10	Tx data reg2/ μP data reg10	un- changed	16	R	W	15 <sub>H</sub>	14 <sub>H</sub>	D114 <sub>H</sub>	6-57

**Register Description**
**Table 6-11 DMA Mailbox Register Map (Continued)**

Register	Description	Reset Value	Bit	DSP Access	DMA / $\mu$ P Acc.	$\mu$ P MSB Addr.	$\mu$ P LSB Addr.	DSP Addr.	Page No.
TDT3/ MDT11	Tx data reg3/ $\mu$ P data reg11	un- changed	16	R	W	17 <sub>H</sub>	16 <sub>H</sub>	D116 H	6-57
TDT4/ MDT12	Tx data reg4/ $\mu$ P data reg12	un- changed	16	R	W	19 <sub>H</sub>	18 <sub>H</sub>	D118 H	6-57
TDT5/ MDT13	Tx data reg5/ $\mu$ P data reg13	un- changed	16	R	W	1B <sub>H</sub>	1A <sub>H</sub>	D11A H	6-57
TDT6/ MDT14	Tx data reg6/ $\mu$ P data reg14	un- changed	16	R	W	1D <sub>H</sub>	1C <sub>H</sub>	D11C H	6-57
TDT7/ MDT15	Tx data reg7/ $\mu$ P data reg15	un- changed	16	R	W	1F <sub>H</sub>	1E <sub>H</sub>	D11E H	6-57
DRXCNT	Rx counter	0 <sub>H</sub>	4	R/W	none	none	none	D170 H	6-60
RDT0/ ODT8	Rx data reg0/ DSP data reg8	un- changed	16	W	R	31 <sub>H</sub>	30 <sub>H</sub>	D130 H	6-59
RDT1/ ODT9	Rx data reg1/ DSP data reg9	un- changed	16	W	R	33 <sub>H</sub>	32 <sub>H</sub>	D132 H	6-59
RDT2/ ODT10	Rx data reg2/ DSP data reg10	un- changed	16	W	R	35 <sub>H</sub>	34 <sub>H</sub>	D134 H	6-59
RDT3/ ODT11	Rx data reg3/ DSP data reg11	un- changed	16	W	R	37 <sub>H</sub>	36 <sub>H</sub>	D136 H	6-59
RDT4/ ODT12	Rx data reg4/ DSP data reg12	un- changed	16	W	R	39 <sub>H</sub>	38 <sub>H</sub>	D138 H	6-59
RDT5/ ODT13	Rx data reg5/ DSP data reg13	un- changed	16	W	R	3B <sub>H</sub>	3A <sub>H</sub>	D13A H	6-59
RDT6/ ODT14	Rx data reg6/ DSP data reg14	un- changed	16	W	R	3D <sub>H</sub>	3C <sub>H</sub>	D13C H	6-59
RDT7/ ODT15	Rx data reg7/ DSP data reg15	un- changed	16	W	R	3F <sub>H</sub>	3E <sub>H</sub>	D13E H	6-59

**Register Description**

*Note: MDT8..15 and ODT8..15 are accessible only in non-DMA mode, when the DMA Mailbox data registers are used for doubling the size of General Mailbox.*

**Table 6-12 Clock Generator Register Map**

<b>Reg Name</b>	<b>Access</b>	<b>Address</b>	<b>Reset Value</b>	<b>Comment</b>	<b>Page No.</b>
CPDC	R/W	D080 <sub>H</sub>	0000 <sub>H</sub>	PDC Control	6-62
CPFS	R/W	D081 <sub>H</sub>	0001 <sub>H</sub>	PFS Control	6-62
CLKOUT	R/W	D082 <sub>H</sub>	0008 <sub>H</sub>	CLKOUT Control	6-63
CREFSEL	R/W	D083 <sub>H</sub>	0000 <sub>H</sub>	DCXO Reference Clock Selection	6-64
CREFCLK	R/W	D084 <sub>H</sub>	0003 <sub>H</sub>	REFCLK Control	6-65
CDCL2	R/W	D085 <sub>H</sub>	0004 <sub>H</sub>	DCL_2000 Control	6-65
CDCL	R/W	D086 <sub>H</sub>	000B <sub>H</sub>	DCL Control	6-66
CFSC	R/W	D087 <sub>H</sub>	0002 <sub>H</sub>	FSC Control	6-67
CL1CLK	R/W	D088 <sub>H</sub>	0000 <sub>H</sub>	L1_CLK Control	6-68
CPFSSY	R/W	D089 <sub>H</sub>	0000 <sub>H</sub>	PFS Synchronization Mode	6-69
CRTCNT	R	D08E <sub>H</sub>	0000 <sub>H</sub>	Real-time Counter	6-69
CSTRAP	R/W	D08F <sub>H</sub>	xxxx xxxx xxxx xx10 <sub>B</sub>	Strap Status Register	6-70

Register Description

6.2 Detailed Register Description

6.2.1 TRANSIU Register Description

6.2.1.1 TRANSIU IOM-2000 Configuration Register

**TICR Register** read/write Address: D0A0<sub>H</sub>

Reset value: 0000<sub>H</sub>

*Note: The reset value of bit 4KFSC is undefined, since this read-only bit is toggled every 250 μs.*

15	14	13	12	11	10	9	8
x	x	x	x	x	x	x	x
7	6	5	4	3	2	1	0
x	x	x	4KFSC	CMDEN	DXEN	DR1	DR0

**DR1..0** IOM-2000 Data Rate and Channel Number

00 = 3.072 Mbit/s data rate; 8 IOM-2000 channels are supported

01 = 6.144 Mbit/s data rate; 16 IOM-2000 channels are supported

10 = 12.288 Mbit/s data rate; 24 IOM-2000 channels are supported

11 = Reserved

**DXEN** DX Line Enable

0 = IOM-2000 DX line to the VIP is in tri-state

1 = IOM-2000 DX line to the VIP is enabled (starting with the next 4 kHz frame)

**CMDEN** CMD Line Enable

0 = IOM-2000 CMD line to the VIP is in tri-state

1 = IOM-2000 CMD line to the VIP is enabled

**4KFSC** 4 kHz FSC (read only)

0 = In the TRANSIU, the current 8 kHz IOM-2000 frame starts in the second half of the current 4 kHz Upn of S/T frame

1 = In the TRANSIU, the current 8 kHz IOM-2000 frame starts in the first half of the current 4 kHz Upn of S/T frame

Register Description

Note: 'x' = unused (read as '0')

**6.2.1.2 TRANSIU Channel Configuration Registers**

The Channel registers are used for IOM-2000 channel disabling and mode programming. Each IOM-2000 channel may be programmed to Upn, LT-S, or LT-T mode, or completely disabled.

**Important**

Only four channels out of eight channels are programmable to **Upn and S/T** modes in VIP PEB 20590, the remaining four channels may be operated as Upn transceiver only. It is the user's responsibility to ensure that the IOM-2000 channels in the TRANSIU are correctly configured in order to match with the line configuration of the VIP (see below:

**Table 6-13 Available ISDN Modes for each VIP Channel**

<b>VIP_0,1,2 channel</b>	0	1	2	3	4	5	6	7
<b>TRANSIU channel</b>	0	1	2	3	4	5	6	7
	8	9	10	11	12	13	14	15
	16	17	18	19	20	21	22	23
<b>Available VIP Mode</b>	Upn	Upn S/T	Upn	Upn S/T	Upn	Upn S/T	Upn	Upn S/T
<b>Available VIP8 Mode</b>	Upn S/T	Upn S/T	Upn S/T	Upn S/T	Upn S/T	Upn S/T	Upn S/T	Upn S/T

**Registers TCCR0 - 3**

read/write

Address:

TCCR0: D0A1<sub>H</sub>

TCCR1: D0A2<sub>H</sub>

TCCR2: D0A3<sub>H</sub>

Reset values: FFFF<sub>H</sub>

15	14	13	12	11	10	9	8
C7M(1:0)		C6M(1:0)		C5M(1:0)		C4M(1:0)	
7	6	5	4	3	2	1	0
C3M(1:0)		C2M(1:0)		C1M(1:0)		C0M(1:0)	

Register Description

- C7..0M(1:0)** Operational Mode of IOM-2000 Channel7..0
- 00 = Channel is configured to S mode (LT-S)
  - 01 = Channel is configured to S mode (LT-T)
  - 10 = Channel is configured to Upn mode
  - 11 = Channel is disabled, '0's are sent on the DX line

*Note: TCCR0 (channel 7..0), TCCR1 (channel 15..8) and TCCR2 (channel 23..16) have the same structure, only TCRR1 is shown here.*

**6.2.1.3 VIP Command Registers (VIPCMR0, VIPCMR1, VIPCMR2)**

The VIPCMR0-2 registers contain command information dedicated to the VIP 0, 1, 2 (only the VIPCMR0 is shown here, VIPCMR1 and VIPCMR2 have the same structure).

**VIPCMR Register** write Address:  
 VIPCMR0: D0A8<sub>H</sub>  
 VIPCMR1: D0A9<sub>H</sub>  
 VIPCMR2<sub>H</sub>: D0AA<sub>H</sub>

Reset value: 0000<sub>H</sub>

15	14	13	12	11	10	9	8
x	x	x	x	RD <sub>n</sub>	PLLPPS	SH_FSC	DELRE
7	6	5	4	3	2	1	0
DELCH(2:0)			EXREF	REFSEL (2:0)		WR <sub>n</sub>	

**WR<sub>n</sub>** Write Command to VIP<sub>n</sub> (S/T, U<sub>PN</sub>)

0 = Data sent to VIP<sub>n</sub> is invalid

1 = Data sent to VIP<sub>n</sub> is valid

**REFSEL(2:0)** Reference Clock Channel Select (LT-T)



---

**Register Description**

The reference clock signal for the DELIC oscillator is generated from the internal VIP\_n Channel\_m coded in these 3 bits and passed on via pin REFCLK to the next cascaded VIP or directly to the DELIC

000 = Reference clock provided by Channel\_0

001 = Reference clock provided by Channel\_1

...

007 = Reference clock provided by Channel\_7

**EXREF**
**External Reference Clock Selection (LT-T)**

0 = No external reference clock source. Reference clock is generated from internal VIP\_n channel specified in REFCLK(2:0) and passed on via REFCLK pin to VIP\_n-1 or directly to DELIC.

1 = Reference clock is generated from external source via pin INCLK and passed on via REFCLK pin to VIP\_n-1 or directly to DELIC. The internal reference clock generation logic is disabled.

Note that VIP\_0 has the highest priority in terms of clock selection

**DELCH(2:0) Delay Measurement Channel Selection (U<sub>PN</sub>)**

Selects one of the eight Upn line interface channels of each VIP where the delay is to be measured.

000 = Delay is measured in Upn Channel\_0

001 = Delay is measured in Upn Channel\_1

...

111 = Delay is measured in Upn Channel\_7

**DELRE Delay Counter Resolution (U<sub>PN</sub>)**

Resolution of the delay counter.

0 = Resolution of 65 ns (15.36 MHz period)

1 = Resolution of 130 ns (7.68 MHz period)

*Note: Using a resolution of 65 ns, the maximum delay of 20.8 μs is not covered (refer to DELAY(7:0) bits)*

**SH\_FSC Short FSC Pulse**

0 = The next FSC frame is no superframe

1 = The next FSC is assumed as superframe

**PLLPPS PLL Positive Pulse Sensing**



**DELAY(7:0) Line Delay Value ( $U_{PN}$ )**

Returns the value of the measured line delay (in  $\mu\text{s}$ ) between the  $U_{PN}$  transmit and receive frame with a resolution of 65 ns or 130 ns (programmable in VIPCMR.DELRE bits).

The value indicates the delay between the transmitted M-bit and the received LF-bit (minus the  $U_{PN}$  guard time of 2 bits). The delay for one direction equals to the measured delay divided by two.

The channel address for the delay measurement is coded in VIPCMR.DELCH(2:0) bits.

The VIP provides 2 values in one  $U_{PN}$  frame (one every 125  $\mu\text{s}$ ) from which the bigger one is the valid.

*Note: The transceiver delays of the VIP are included in the delay measurement.*

*Note: Unused bits (x) read as '0'.*

**6.2.1.5 TRANSIU Initialization Channel Command Register**

The Initialization Channel Command Register contains the Command bits for VIP\_n, Channel\_m together with 5 bits of the VIP channel address.

The VIP only acts upon the command bits if they were declared valid by the DELIC issuing a write command. Bit WR is dedicated to the command bits of groups CONF1, CONF2 and TST2, whereas WR\_ST informs the VIP about changes in the layer 1 state machine of the DELIC (SMINI(2:0) and MSYNC bits).

The DELIC may also explicitly read the VIP's status information by issuing bit RD.

The reset value of each bit is '0' except bits MODE(2:0) which are set to '011'

*Note: A read command to the VIP must not be issued during normal operation to avoid a loss of information when the VIP is reporting status information at the same time.*

**Register Description**
**TICCMR Register**

 write  
 LS-word: D0B0<sub>H</sub>,

 Address:  
 MS-word: D0B1<sub>H</sub>

 Reset value: 0000<sub>H</sub>

31	30	29	28	27	26	25	24
x	VIPADR(1:0)		CHADR(2:0)			FIL	EXLP
23	22	21	20	19	18	17	16
PLLS	PD	DHEN	x	x	PDOWN	LOOP	TX_EN
15	14	13	12	11	10	9	8
PLLINT	AAC(1:0)		BBC(1:0)		OWIN(2:0)		
7	6	5	4	3	2	1	0
MF_EN	MODE(2:0)			MOSEL(1:0)		RD	WR

**WR**
**Write Command (S/T, U<sub>PN</sub>)**

0 = Data sent in these bits is invalid

1 = All configuration bits contain valid data

*Note: Does not apply to SMINI(2:0) and MSYNC bits*
**RD**
**Read Request to VIP Command Bits (S/T, U<sub>PN</sub>)**

0 = Normal operation

1 = DELIC read request of the TICCMR register which was sent to the VIP. It includes initialization and configuration commands and the channel addresses. The VIP returns these values (instead of sending the actual VIP status information) within the IOM-2000 STAT\_n\_m bit stream. The values are available in the next frame (after next FSC) in DELIC TICSTR register.

*Note: To avoid blocking, the DELIC must not issue this bit during normal operation.*
**MOSEL(1:0) Interface Mode Selection (S/T, U<sub>PN</sub>)**

00 = Channel programmed to S/T mode

 01 = Channel programmed to U<sub>PN</sub> mode

10 = reserved

---

**Register Description**

11 = reserved

**MODE(2:0) Mode Configuration (S/T, U<sub>PN</sub>)**

001 = Channel programmed to LT-T mode

011 = Channel programmed to LT-S mode (point-to-point or extended passive bus configuration) or U<sub>PN</sub> mode

111 = Channel programmed to LT-S mode (short passive bus mode)

*Note: All other states are reserved. The reset value is 011, e.g. the default mode of VIP is LT-S*

**MF\_EN Multiframe Enable (S/T)**

0 = Multiframe are disabled

1 = Multiframe are enabled

**OWIN(2:0) Oversampling Window Size (S/T, U<sub>PN</sub>)**

Specifies the width of the oversampling window in bit samples. The window is centered about the middle of the bit. For example, a size of 16 means that, upon detection of  $(16/2) = 8$  times logical '1', the received bit is detected as '1'. The window size is programmed in steps of two as shown below:

000 = 2

001 = 4

010 = 6

...

111 = 16

**BBC(1:0) Balancing Bit Control (U<sub>PN</sub>)**

0x = Adaptive generation of balancing bit (depending on line delay). upon reception of INFO3 or INFO4

10 = Balancing bit control is disabled, and no balancing bit is added

11 = Balancing bit control is disabled, and balancing bit is added after each code violation in the M-bit (INFO3 or INFO4)

**AAC(1:0) Adaptive Amplifier Control (S/T, U<sub>PN</sub>)**

0x = Adaptive amplifier control in VIP is enabled. The amplifier and the equalizer are switched on/off depending on the level of the received line signal with respect to the comparator threshold.

10 = Adaptive amplifier control is disabled. The amplifier and the equalizer are switched off permanently.

---

**Register Description**

	11 =	Adaptive amplifier control is disabled. The amplifier and the equalizer are switched on permanently
<b>PLLINT</b>	<b>Receive PLL Integrator (<math>U_{PN}</math>)</b>	
	0 =	Programmable deviation disabled
	1 =	Programmable deviation enabled, i.e., the RxPLL reacts only after a certain number of consequent deviations from the PLL controlling range.
<b>TX_EN</b>	<b>Transmitter Enable (S/T, <math>U_{PN}</math>)</b>	
	0 =	Transmitter (analog line driver) is disabled (e.g. for non-transparent analog loops in LT-T)
	1 =	Transmitter is enabled (e.g. for switching of transparent analog loops in LT-S)
<b>LOOP</b>	<b>Loop-back Mode in VIP Enable (S/T, <math>U_{PN}</math>)</b>	
	0 =	Loops disabled
	1 =	Loop-back enabled. Channel_m transmit data is looped back to the receive data path (either transparent or non-transparent according to state of bit TX_EN). Depending on bit EXLP the loop is closed internally or externally.
<b>PDOWN</b>	<b>Power Down Mode (S/T, <math>U_{PN}</math>)</b>	
	0 =	Operational mode
	1 =	Channel_m in power-down mode (only the level detector in the VIP receiver is in operational mode)
<b>DHEN</b>	<b>D-channel Handling Enable (LT-T)</b>	
	0 =	D-channel transmitted transparently, without any condition
	1 =	D-channel transmitted transparently if no collision is detected ( $E=D$ ), if collision is detected ( $E \neq D$ ) '1s' are transmitted in D-channel
<b>PD</b>	<b>Phase Deviation Selection (LT-T)</b>	
	0 =	Phase deviation = (2 bits - 2 oscillator periods + analog delay)
	1 =	Phase deviation = (2 bits - 4 oscillator periods + analog delay)
<b>PLLS</b>	<b>Receive PLL Adjustment (S/T, <math>U_{PN}</math>)</b>	
	0 =	tracking step equals 0.5 oscillator period
	1 =	tracking step equals 1.0 oscillator period
<b>EXLP</b>	<b>External Loop (S/T, <math>U_{PN}</math>)</b>	

**Register Description**

- 0 = No external analog loop. If bit LOOP=1 the loop is closed internally
- 1 = External analog loop. If bit LOOP=1 the loop is closed externally

**FIL Filter Enable (U<sub>PN</sub> only)**

- 0 = Filter of equalizer inside the VIP receiver disabled
- 1 = Filter of equalizer inside the VIP receiver enabled

**CHADR(2:0) Channel<sub>m</sub> Address for Commands**

- 000 = Command word is dedicated to VIP<sub>n</sub> Channel<sub>0</sub>
- 001 = Command word is dedicated to VIP<sub>n</sub> Channel<sub>1</sub>
- 010 = Command word is dedicated to VIP<sub>n</sub> Channel<sub>2</sub>
- 011 = Command word is dedicated to VIP<sub>n</sub> Channel<sub>3</sub>
- 100 = Command word is dedicated to VIP<sub>n</sub> Channel<sub>4</sub>
- 101 = Command word is dedicated to VIP<sub>n</sub> Channel<sub>5</sub>
- 110 = Command word is dedicated to VIP<sub>n</sub> Channel<sub>6</sub>
- 111 = Command word is dedicated to VIP<sub>n</sub> Channel<sub>7</sub>

**VIPADR(2:0) VIP<sub>n</sub> Address for Commands**

- 00 = Command word is dedicated to VIP<sub>0</sub>
- 01 = Command word is dedicated to VIP<sub>1</sub>
- 10 = Command word is dedicated to VIP<sub>2</sub>
- 11 = Reserved

*Note: Unused bits (x) read as '0'.*

Register Description

**6.2.1.6 TRANSIU Initialization Channel Status Register (TICSTR)**

The Initialization Channel Status Register contains the Command bits to VIP\_n, Channel\_m mirrored by the VIP in response to a read command issued by the DELIC in the previous frame.

*Note: The actual Status information from the VIP channels is stored in the data RAM to make it accessible for the DELIC layer-1 state machine software in the DSP.*

**TICSTR Register**

read Address:  
LS-word: D0B2<sub>H</sub>, MS-word: D0B3<sub>H</sub>

Reset value: 0000<sub>H</sub>

31	30	29	28	27	26	25	24
x	VIPADR(1:0)		CHADR(2:0)			FIL	EXLP
23	22	21	20	19	18	17	16
PLLS	PD	DHEN	x	x	PDOWN	LOOP	TX_EN
15	14	13	12	11	10	9	8
PLLINT	AAC(1:0)		BBC(1:0)		OWIN(2:0)		
7	6	5	4	3	2	1	0
MF_EN	MODE(2:0)			MOSEL(1:0)		RD	WR



Register Description

6.2.1.7 Scrambler Mode Register

**SCMOD Register** read/write Address: D010<sub>H</sub>

Reset value: 0003<sub>H</sub>

15	14	13	12	11	10	9	8
x	x	x	x	x	x	x	x
7	6	5	4	3	2	1	0
x	x	x	x	x	x	SCMOD1..0	

**SCMOD1..0** Scrambling Mode of the Upn Line Interface

- 00 = Scrambling according to ITU-T V.27
- 01 = Scrambling compatible to OCTAT-P PEB 2096
- 10 = Reserved
- 11 = No scrambling

6.2.1.8 Scrambler Status Register

**SCSTA Register** read/write Address: D011<sub>H</sub>

Reset value: undefined

15	14	13	12	11	10	9	8
x	x	x	x	x	x	x	x
7	6	5	4	3	2	1	0
x	x	x	x	x	x	x	SCSTA

**SCSTA** Scrambler Status

- 0 = Write access: start of scrambling algorithm for all channels enabled in the HRAM  
read access: scrambler is processing data

Register Description

- 1 = Write access: start of scrambling algorithm for all channels enabled in the HRAM  
read access: scrambling has finished

*Note: Both values '0' or '1' written to SCSTA will start the scrambling*

## 6.2.2 IOMU Register Description

### 6.2.2.1 IOMU Control Register

**ICR Register** read/write Address: D040<sub>H</sub>

Reset value: 02<sub>H</sub>

15	14	13	12	11	10	9	8
x	x	x	x	x	x	x	x
7	6	5	4	3	2	1	0
x	x	ICDB	A	OD	DC	DR(1:0)	

**ICDB** Idle Current D-Buffer ( for test purpose; only if IOMU is in idle mode: ICR:A = '0')

- 0 = Make frame buffer 0 accessible to the DSP
- 1 = Make frame buffer 1 accessible to the DSP

**A** IOMU Activation

- 0 = The IOMU is Idle. The state machine of the IOMU is idle, and no accesses to the I-buffer are executed by the IOMU.
- 1 = The IOMU is active, and works according to the programming of the other Control Register bits.

**OD** DD0 and DD1 Output Mode

- 0 = Push-Pull mode.
- 1 = Open-Drain mode

**DC** Double Data Rate Clock

- 0 = Single clock (DCL frequency is identical to the IOM-2 data rate)

Register Description

1 = Double clock (DCL frequency is double the IOM-2 data rate)

**DR(1:0)** IOM-2 Data Rate

00 = IOM-2 data rate of 1 x 384 kbit/s (1 x 6 time slots/frame)

01 = IOM-2 data rate of 1 x 768 kbit/s (1 x 12 time slots/frame)

10 = IOM-2 data rate of 2 x 2.048 Mbit/s (2 x 32 time slots/frame)  
**(default)**

11 = IOM-2 data rate of 1 x 4.096 Mbit/s (1 x 64 time slots/frame)

**6.2.2.2 IOMU Status Register**

**ISR Register**

read/write

Address: D041<sub>H</sub>

Reset value: undefined

15	14	13	12	11	10	9	8
IBUFF	x	x	x	x	x	x	x
7	6	5	4	3	2	1	0
x	x	x	x	x	x	x	x

**IBUFF** I-Buffer Index

*Note: Used for testing. May also be used in double data rate mode of the IOMU to determine if the IOMU buffers have been swapped already*

0 = Buffer 0 is currently used as I-buffer, buffer 1 is used as D-buffer

1 = Buffer 1 is currently used as I-buffer, buffer 0 is used as D-buffer

*Note: (x) unused bits read as '0'*

Register Description

6.2.2.3 IOMU Tri-State Control Register

ITSCR Register

read/write

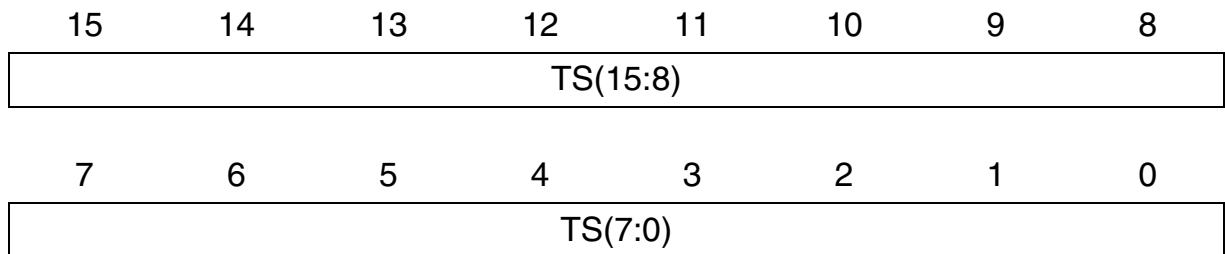
Address:

Set Address: D042<sub>H</sub>

Reset Address: D043<sub>H</sub>

Read Address: D044<sub>H</sub>

Reset Value: 00<sub>H</sub>



TS(15:0)

Every bit determines whether DD0/1 output is in tri-state during the time slot sequence. The time slot sequence length, indices and port controlled by each TS-bit is defined according the IOMU data rate mode (ICR.DR(1:0))

0 = DD0/1 is in tri-state during the related time slot sequence

1 = DD0/1 is driven by the IOMU during the related time slot sequence

Table 6-14 Tristate Control Assignment for IOM-2 Time Slots

ITSCR Bit	1 x 6 TS/frame		1 x 12 TS/frame		2 x 32 TS/frame		1 x 64 TS/frame	
	DD0	TS	DD0	TS	DD0/1	TS	DD0/1	TS
TS0	DD0	0	DD0	0	DD0	0-3	DD0	0-3
TS1	DD0	1	DD0	1	DD0	4-7	DD0	4-7
TS2	DD0	2	DD0	2	DD0	8-11	DD0	8-11
TS3	DD0	3	DD0	3	DD0	12-15	DD0	12-15
TS4	DD0	4	DD0	4	DD0	16-19	DD0	16-19
TS5	DD0	5	DD0	5	DD0	20-23	DD0	20-23
TS6	not used		DD0	6	DD0	24-27	DD0	24-27
TS7	not used		DD0	7	DD0	28-31	DD0	28-31
TS8	not used		DD0	8	DD1	0-3	DD0	32-35

Register Description

**Table 6-14 Tristate Control Assignment for IOM-2 Time Slots (Continued)**

ITSCR Bit	1 x 6 TS/frame		1 x 12 TS/frame		2 x 32 TS/frame		1 x 64 TS/frame	
	DD0	TS	DD0	TS	DD0/1	TS	DD0/1	TS
TS9	not used		DD0	9	DD1	4-7	DD0	36-39
TS10	not used		DD0	10	DD1	8-11	DD0	40-43
TS11	not used		DD0	11	DD1	12-15	DD0	44-47
TS12	not used		not used		DD1	16-19	DD0	48-51
TS13	not used		not used		DD1	20-23	DD0	52-55
TS14	not used		not used		DD1	24-27	DD0	56-59
TS15	not used		not used		DD1	28-31	DD0	60-63

**6.2.2.4 IOMU DRDY Register**

**IDRDYR Register**

read

Address: D045<sub>H</sub>

Reset value: undefined

15	14	13	12	11	10	9	8
0	0	0	0	0	0	0	0
7	6	5	4	3	2	1	0
DS(7:0)							

**bit** DRDY Sample

DS<sub>x</sub> indicates the availability of the D-channels of the previous frame.  
 0 = STOP (D-channel blocked due to collision), 1 = GO  
 e.g. DS1 was sampled during the D-channel of IOM-2 channel 1, etc.

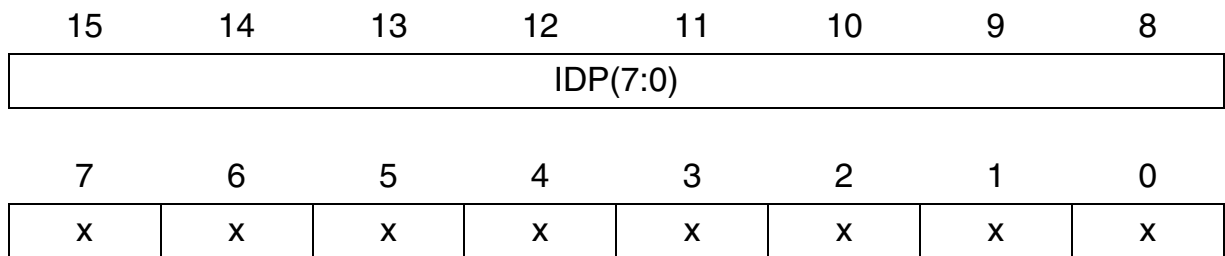
- DS0 corresponds to D-channel of IOM-2 port 0 cha 0
- DS1 corresponds to D-channel of IOM-2 port 0 cha 1
- DS2 corresponds to D-channel of IOM-2 port 0 cha 2
- DS3 corresponds to D-channel of IOM-2 port 0 cha 3
- DS4 corresponds to D-channel of IOM-2 port 0 cha 4
- DS5 corresponds to D-channel of IOM-2 port 0 cha 5
- DS6 corresponds to D-channel of IOM-2 port 0 cha 6
- DS7 corresponds to D-channel of IOM-2 port 0 cha 7

**Register Description**

*Note: In 1 x 4.096 Mbit/s mode (i.e. 16 IOM-2 channels/frame), DRDY is sampled only during the D-channels of the first eight IOM-2 channels of every frame.*

**6.2.2.5 IOMU Data Prefix Register**

**IDPR Register** read/write Address: D046<sub>H</sub>  
 Reset value: E0<sub>H</sub>



**IDP(7:0)** IOMU Data Prefix

Determines the high byte of every word being read from the IOM circular-buffer (I-buffer or D-buffer). The low byte is the data being read from the circular buffer.

After reset this register contains the MSB of the base address of the A-law-to-linear ROM table: E0<sub>H</sub>.

*Note: (x) unused bits read as '0'*

### 6.2.3 PCMU Register Description

#### 6.2.3.1 PCMU Command Register

**PCR Register** read/write Address: D060<sub>H</sub>

Reset value: 0000<sub>H</sub>

15	14	13	12	11	10	9	8
x	x	x	x	x	x	x	x
7	6	5	4	3	2	1	0
x	x	SFH	ICDB	PA	PDCL	PDR(1:0)	

**PDR(1:0)** PCM Data Rate

- 00 = 4 x 2.048 Mbit/s (4 x 32 time slots per frame)
- 01 = 2 x 4.096 Mbit/s (2 x 64 time slots per frame)
- 10 = 1 x 8.092 Mbit/s (1 x 128 time slots per frame)
- 11 = 1 x 16.384 Mbit/s (1 x 256 time slots per frame, if only first or second half of 8 kHz frame is handled)

**PDCL** PCM Double Data Rate Clock

- 0 = Single Data Rate Clock
- 1 = Double Data Rate Clock

**PA** PCMU Activation

- 0 = The PCMU is in idle mode
- 1 = The PCMU is in active mode

**ICDB** Idle Current D-Buffer

Used only for testing of PCMU in IDLE mode (PCR:PA = '0') to determine which buffer is being accessed by the DSP

- 0 = Frame buffer 0 is accessed by the DSP
- 1 = Frame buffer 1 is accessed by the DSP

**SFH** Second Frame Half

Used only in 1 x 256 time slots per frame data rate mode

- 0 = The first 128 time slots of each frame are handled by the PCMU

Register Description

1 = The second 128 time slots of each frame are handled by the PCMU

Note: 'x' = unused (read as '0')

6.2.3.2 PCMU Status Register

PSR Register

read/write

Address: D061<sub>H</sub>

Reset value: undefined

15	14	13	12	11	10	9	8
PBUFF	x	x	x	x	x	x	x
7	6	5	4	3	2	1	0
x	x	x	x	x	x	x	x

**PBUFF** P-Buffer Index

Note: Used for testing. May also be used in double data rate mode of the PCMU to determine if the PCMU buffers have been swapped already

0 = Buffer 0 is currently used as P-buffer, buffer 1 is used as D-buffer

1 = Buffer 1 is currently used as P-buffer, buffer 0 is used as D-buffer

Note: (x) unused bits read as '0'

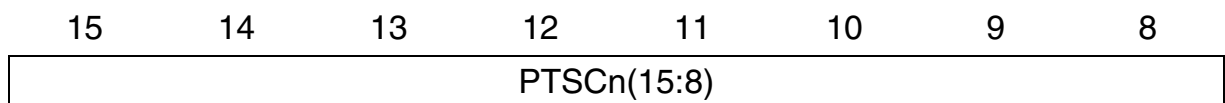


Register Description

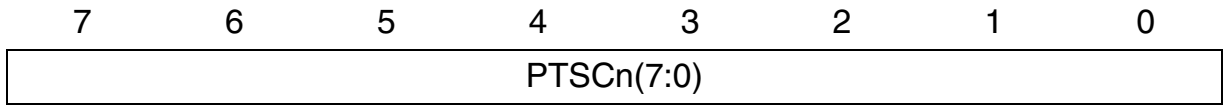
6.2.3.3 PCMU Tri-state Control Registers

<b>PTSC0 Register</b>	read/write (set/reset)	read Address: D062-63 <sub>H</sub> set Address: D062 <sub>H</sub> reset Address: D063 <sub>H</sub>
<b>PTSC1 Register</b>	read/write (set/reset)	read Address: D064-65 <sub>H</sub> set Address: D064 <sub>H</sub> reset Address: D065 <sub>H</sub>
<b>PTSC2 Register</b>	read/write (set/reset)	read Address: D066-67 <sub>H</sub> set Address: D066 <sub>H</sub> reset Address: D067 <sub>H</sub>
<b>PTSC3 Register</b>	read/write (set/reset)	read Address: D068-69 <sub>H</sub> set Address: D068 <sub>H</sub> reset Address: D069 <sub>H</sub>
<b>PTSC4 Register</b>	read/write (set/reset)	read Address: D06A-6B <sub>H</sub> set Address: D06A <sub>H</sub> reset Address: D06B <sub>H</sub>
<b>PTSC5 Register</b>	read/write (set/reset)	read Address: D06C-6D <sub>H</sub> set Address: D06C <sub>H</sub> reset Address: D06D <sub>H</sub>
<b>PTSC6 Register</b>	read/write (set/reset)	read Address: D06E-6F <sub>H</sub> set Address: D06E <sub>H</sub> reset Address: D06F <sub>H</sub>
<b>PTSC7 Register</b>	read/write (set/reset)	read Address: D070-71 <sub>H</sub> set Address: D070 <sub>H</sub> reset Address: D071 <sub>H</sub>

Reset values (PTSC0..7): 0000<sub>H</sub>



Register Description



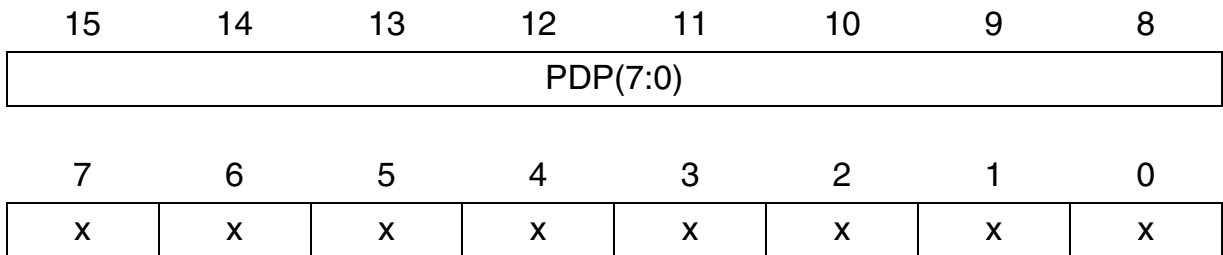
**PTSCn (15..0)** Tristate Control for each PCM Time Slot

0 = The controlled time slot is invalid

1 = The controlled time slot is valid

**6.2.3.4 PCMU Data Prefix Register**

**PDPR Register** read/write Address: D072<sub>H</sub>  
 Reset value: E0<sub>H</sub>



**PDP(7:0) PCMU Data Prefix**

The data written to this register is read as the most significant byte of every time slot read by the DSP from the PCMU frame buffers. Can be used for quick access to the a/μ-law ROM, for conversion of compressed data (received via the PCM interface) into linear value.

After reset this register contains the MSB of the base address of the a-law-to-linear ROM table: E0<sub>H</sub>. To enable quick conversion from μ-law to linear, the PCMU Data Prefix Register should be programmed to E1<sub>H</sub>.

*Note: (x) unused bits read as '0'*

Register Description

6.2.4 A/ $\mu$ -law Unit Register Description

6.2.4.1 A/ $\mu$ -law Unit Control Register

A/ $\mu$ -law Unit Control Register (AMCR) read/write

Address: D020<sub>H</sub>

Reset value: 0000<sub>H</sub>

15	14	13	12	11	10	9	8
x	x	x	x	x	x	x	x
7	6	5	4	3	2	1	0
x	x	x	x	x	x	x	MODE

Note: 'x' = unused bits

This register controls the conversion mode of the A/ $\mu$ -law unit

- MODE**      A/ $\mu$ -law Mode Programming
- 0 =      Conversion from linear value to A-law value (default)
  - 1 =      Conversion from linear value to  $\mu$ -law value

6.2.4.2 A/ $\mu$ -law Input Register

A/ $\mu$ -law Unit Input Register (AMIR) write

Address: D021<sub>H</sub>

Reset value: undefined

15	14	13	12	11	10	9	8
IND(15:8)							
7	6	5	4	3	2	1	0
IND(7:0)							

Note: - In  $\mu$ -law mode, only the 14 MSBs are processed.  
 - In A-law mode, only the 13 MSBs are processed.

**IND(15:0)**      Linear Input Data

**Register Description**

Provides the linear input data that is to be converted into logarithmic data format according to A-law or  $\mu$ -law algorithm.

**6.2.4.3 A/ $\mu$ -law Output Register**

**A/ $\mu$ -law Unit Output Register (AMOR) read**

Address: D022<sub>H</sub>

Reset value: undefined

15	14	13	12	11	10	9	8
x	x	x	x	x	x	x	x
7	6	5	4	3	2	1	0
OUTD(7:0)							

*Note: 'x' = unused bits, driven to '0'*

**OUTD(7:0) Logarithmic Output Data**

Provides the logarithmic output data generated by the A/ $\mu$ -law unit out of the linear input data. The data format (A-law or  $\mu$ -law) depends on the the selected conversion algorithm.

## 6.2.5 HDLCU Registers Description

### 6.2.5.1 HDLCU Control Register

In order to enable DSP access all the buffers and RAMS, DSPCTRL bit must be set to '1'.

**HCR Register** write Address: D180<sub>H</sub>

Reset value: 0001<sub>H</sub>

15	14	13	12	11	10	9	8
x	x	x	x	x	x	x	x
7	6	5	4	3	2	1	0
x	HPRS(5:0)					DSPCTRL	

**HPRS(5:0)** HDLCU Channel Preset

The number of HDLC channels to be processed by the HDLCU

**DSPCTRL** DSP Access Control to the HDLCU

0 = The DSP must not access the HDLCU buffers and RAMs

1 = The DSP may access the HDLCU buffers

*Note: Each time DSPCTRL is set, HPRS is also set.*

Register Description

6.2.5.2 HDLCU Status Register

**HSTA Register** read Address: D180<sub>H</sub>

Reset value: 0001<sub>H</sub>

15	14	13	12	11	10	9	8
HHOLD	BITOR	x	CHCNT(5:1)				
7	6	5	4	3	2	1	0
CHCNT(0)		HPRS(5:0)					DSPCTRL

- DSPCTRL** DSP Access Control to the HDLCU
  - 0 = The HDLCU is currently processing the channel
  - 1 = The DSP is currently accessing the HDLCU
- HPRS(5:0)** HDLC Channel Preset
  - Number of HDLC channels handled by the HDLCU (max. 32)
- CHCNT(5:0)** **Channel Count**
  - Number of channels that have already been processed in the current frame
- BITOR** **Bitorder**
  - Determines the order of bits inside an HDLC data byte going to (coming from) the IOMU, PCMU or TRANSIU.
  - 0 = HDLC data is transmitted with MSB first
  - 1 = HDLC data is transmitted with LSB first
- HHOLD** **HDLCU Busy Indicator**
  - 0 = HDLCU is processing the current frame
  - 1 = HDLCU has finished processing the current frame

### 6.2.5.3 Channel Command Vector

**HCCV Registers** read/ write Addresses: 4040<sub>H</sub> - 405F<sub>H</sub>

Each of the 32 HDLC channels has a 7-bit command vector that resides in the corresponding address of the command RAM. The structure of a command vector is as follows:

15	14	13	12	11	10	9	8
x	x	x	x	x	x	x	x
7	6	5	4	3	2	1	0
x	DBSEL	RECRES	TXCMD(2:0)			CRC	IDLE

*Note: Accesses to these registers are possible only if register bit HCR:DSPCTRL = 1  
'x' = unused*

- DBSEL** D- or B-Channel Select
  - 0 = Indication for a B-channel. HDLC protocol is performed on all 8 data bits
  - 1 = Indication for a D-channel. HDLC protocol is performed only on the 2 MSB data bit in the Receive Input Buffer and Transmit Output Buffer
- RECRES** Receiver Reset
  - 0 = Normal operation
  - 1 = Reset the HDLC receiver
- TXCMD(2:0)** Transmit Command
  - 000= End transmission
  - 001= Start transmission at the first bit of the D-channel
  - 010= Start transmission at the second bit of the D-channel
  - 011= Start transmitting a flag (beginning with the fifth bit of the flag, since '0111' is automatically inserted)
  - 100= Abort transmission

*Note: other combinations are reserved*
- CRC** CRC Enable
  - 0 = CRC checking algorithm off

Register Description

- 1 = CRC checking algorithm on
- IDLE** IDLE Mode
  - 0 = Transmit 'ones' over an idle channel - the unshared flag mode
  - 1 = Transmit 'flags' over an idle channel - the shared flag mode

*Note: In the receive direction, the only function of the command vector is to indicate whether the channel is a D-channel or a B-channel, and whether to use CRC decoding or not.  
The main function of the command vector is to control the flow of time slots in the transmit direction.*

**6.2.5.4 Channel Status Vector**

**HCSV Registers** read Addresses: 40A0<sub>H</sub> - 40BF<sub>H</sub>

Reading a channel from the Receive Output Buffer and Writing to a channel in the Transmit Input Buffer is done according to the channel's status vector in the Transmit Output Buffer. This vector contains 7 flags:

15	14	13	12	11	10	9	8
x	x	x	x	x	x	x	x
7	6	5	4	3	2	1	0
x	FLAG	EMPTY	FULL	ABORT	STOP	CRC	NO

*Note: Accesses to these registers are possible only if register bit HCR:DSPCTRL = 1  
'x' = not used*

- NO** Not Octet
  - 0 = Normal operation
  - 1 = The last bits of a message have not filled an octet (8 bits)
- CRC** CRC Error
  - 0 = No CRC error in received message
  - 1 = CRC error was detected in the received message
- STOP** Stop Indication
  - 0 = Normal operation



**Register Description**

1 = HDLCU has detected an end of message flag in the receive direction. The DSP must read the octet in the Receive Output Buffer before the next message start flag is detected

**ABORT**

Abort Indication

0 = Normal operation

1 = The DSP has detected an incoming abort message (7 consecutive '1s'). The STOP flag is also set to 1. This means that the DSP should ignore the current message being transmitted over the channel in question and report to the external microcontroller

**FULL**

Receive Buffer Full Indication

0 = Normal operation

1 = Indicates that the Receive Output Buffer has a newly processed octet in it. The DSP must read this octet before starting the next processing session, otherwise it might be lost.

**EMPTY**

Transmit Buffer Empty

0 = The transmit buffer is full.

1 = The transmit buffer is empty. The current time slot in the Transmit Input Buffer has been fully processed by the HDLCU. The Transmit Input buffer is ready to receive the next octet of the message by the DSP.

*Note: The DSP must put a new octet into the buffer before starting the next processing session, otherwise the same octet will be read again.*

**FLAG**

Status Vector Flag

0 = Ignore the status vector and do not read or write on this channel

1 = Read the channel's status vector and process accordingly

*Note: FLAG will go to '1' as soon as EMPTY or FULL go to '1'.*

## 6.2.6 GHDLIC Register Description

### 6.2.6.1 GHDLIC Test/ Normal Mode Register

**GTEST Register** write Address: D0C0<sub>H</sub>

Reset value: 0001<sub>H</sub>

15	14	13	12	11	10	9	8
x	x	x	x	x	x	x	x
7	6	5	4	3	2	1	0
x	x	x	x	x	x	x	TEST

**CHMOD1..0** Channel Mode

0 = Normal operation mode

1 = Test mode

*Note: As GTEST has a reset value of 01H this register has to set to 0 to enable the GHDLICU*

### 6.2.6.2 GHDLIC Channel Mode Register

**GCHM Register** write Address: D0C1<sub>H</sub>

Reset value: 0000<sub>H</sub>

15	14	13	12	11	10	9	8
x	x	x	x	x	x	x	x
7	6	5	4	3	2	1	0
x	x	x	x	x	x	CHMOD(1..0)	

**CHMOD1..0** Channel Mode

00 = Channel 0 used up to 16.384 MHz

Register Description

- 01 = 2 channels (ch 0+3) used up to 8.192 MHz
- 10 = 4 channels (ch 0..3) used up to 4.096 MHz
- 11 = Reserved

**6.2.6.3 GHDLIC Interrupt Register**

**GINT Register** read Address: D0D4<sub>H</sub>

Reset value: 0000<sub>H</sub>

15	14	13	12	11	10	9	8
x	x	x	x	x	x	x	x
7	6	5	4	3	2	1	0
x	x	x	x	INT3	INT2	INT1	INT0

- INTn bits** Interrupt Indication for GHDLIC Channel n (= 0..3)
- 0 = Normal operation
  - 1 = GHDLIC interrupt has occurred

**6.2.6.4 GHDLIC FSC Interrupt Control Register**

**GFINT Register** read Address: D0D3<sub>H</sub>

Reset value: 0000<sub>H</sub>

15	14	13	12	11	10	9	8
x	x	x	x	x	x	x	x
7	6	5	4	3	2	1	0
x	x	x	x	FINT3	FINT2	FINT1	FINT0

- FINTn** FSC Interrupt Control GHDLIC Channel n (= 0..3)

Register Description

- 0 = FSC rising edge causes a receiver interrupt only if a full interrupt has not occurred during the previous frame
- 1 = FSC rising edge causes a receiver interrupt regardless whether or not a full interrupt occurred during the previous frame

6.2.6.5 GHDLC Receive Channel Status Registers 0..3

<b>GRSTA Register 0</b>	read	Address: D0C2 <sub>H</sub>
<b>GRSTA Register 1</b>	read	Address: D0C3 <sub>H</sub>
<b>GRSTA Register 2</b>	read	Address: D0C4 <sub>H</sub>
<b>GRSTA Register 3</b>	read	Address: D0C5 <sub>H</sub>

Reset value: 001F<sub>H</sub>

15	14	13	12	11	10	9	8	
x	x	x	x	x	x	COLLD	UNDER	
7	6	5	4	3	2	1	0	
EMPTY	OVER	FULL	RBFILL(4:0)					

- RBFILL(4:0)** Receive Buffer Fill  
Indicates to the DSP the currently available number of bytes - 1 in the receive buffer
- FULL** Receive Buffer Full  
0 = No receive buffer full indication  
1 = Receive buffer block of the GHDLC is full. The blocks have been switched.
- OVER** Buffer Overrun  
0 = No buffer overrun indication  
1 = Two consecutive full interrupts were received without a GHDLC access to the status register in between, i.e. a buffer was missed.
- EMPTY** Transmit Buffer Empty  
0 = No transmit buffer empty indication  
1 = The transmit buffer block currently being transmitted over the GHDLC channel has been emptied

Register Description

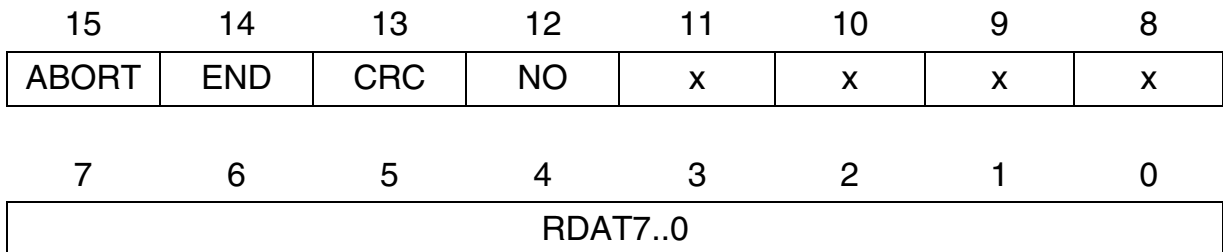
- UNDER** Buffer Underrun  
 0 = No buffer underrun indication  
 1 = A buffer containing an uncomplete message has been emptied without a continuation of the message in the other buffer
- COLLD** Collision Detected  
 0 = No collision detection indication  
 1 = Collision detected during transmission. The message needs to be re-sent.  
*Note: Only relevant in HDLC-Mode, if one device does not operate conform to the HDLC protocol definition*

*Note: Reading the register GRSTA resets its bits to the default value.*

**6.2.6.6 GHDLIC Receive Data and Status**

To each data byte in the receive buffer 4 flag bits are appended

**RXDAT Registers** read Address: 2000<sub>H</sub> -203F<sub>H</sub>



- NO** Not Octet  
 0 = Received message is a multiple of eight bits  
 1 = Received message is not a multiple of eight bits
- CRC** CRC Error Flag  
 0 = Received byte contains no CRC error flag.  
 1 = Received byte contains a CRC error flag.  
 A CRC error was detected in the received frame.
- END** END Flag  
 0 = Received byte contains no END flag  
 1 = Received byte contains an END flag

Register Description

- ABORT** ABORT Flag  
 0 = Received byte contains no ABORT flag  
 1 = Received byte contains an ABORT flag
- RD7..0** Received data byte

**6.2.6.7 GHDLC Mode Registers**

- GMOD Register 0** write Address: D0C6<sub>H</sub>  
**GMOD Register 1** write Address: D0C7<sub>H</sub>  
**GMOD Register 2** write Address: D0C8<sub>H</sub>  
**GMOD Register 3** write Address: D0C9<sub>H</sub>

Reset value: 0140<sub>H</sub>

15	14	13	12	11	10	9	8
x	x	x	x	x	x	EDGE	TE
7	6	5	4	3	2	1	0
CLASS	COLLD	PPOD	IFTF	OPMOD(1:0)		CRCMOD(1:0)	

**CRCMOD(1:0) CRC Mode**

- 00 = CRC algorithm disabled  
 01 = 16-bit CRC algorithm ( $X^{16}+X^{12}+X^5+1$ )  
 10 = 32-bit CRC algorithm  
 $(X^{31}+X^{26}+X^{23}+X^{22}+X^{16}+X^{12}+X^{11}+X^{10}+X^8+X^7+X^5+X^4+X^2+X^1+1)$   
 11 = reserved

**OPMOD(1:0) Operational Mode**

Programs the mode of the GHDLC channel

- 00 = HDLC mode  
 01 = reserved  
 10 = Asynchronous mode (enables accesses to register GASYNC)  
 11 = reserved

**IFTF Interframe Time Fill**

- 0 = Sequence of '1s' is used as interframe time fill characters

Register Description

- 1 = Flags (7E<sub>H</sub>) are used as interframe time fill characters
- PPOD** Push-Pull / Open-Drain Configuration
  - 0 = Open-drain
  - 1 = Push-pull
- COLLD** **Collision Detection**
  - 0 = Collision detection disabled
  - 1 = Arbitration between several GHDLC on a bus is done using collision detection
- CLASS** Priority Class Assignment
  - 0 = Channel has priority class 8
  - 1 = Channel has priority class 10
- TE** **Transmit Enable**
  - 0 = Transmit line is only enabled during the transmission of a message including opening and closing flags
  - 1 = Transmit line is always enabled
- EDGE** **Edge Programming for Receive Data Sampling**
  - 0 = Receiver samples data on rising edge of the line clock
  - 1 = Receiver samples data on falling edge of the line clock

6.2.6.8 GHDLC Channel Transmit Command Registers

<b>GTCMD Register 0</b>	write	Address: D0CA <sub>H</sub>
<b>GTCMD Register 1</b>	write	Address: D0CC <sub>H</sub>
<b>GTCMD Register 2</b>	write	Address: D0CE <sub>H</sub>
<b>GTCMD Register 3</b>	write	Address: D0D0 <sub>H</sub>

Reset value: 0000<sub>H</sub>

15	14	13	12	11	10	9	8
x	x	x	x	x	x	x	x
7	6	5	4	3	2	1	0
x	STOP	TXCMD	TBFILL(4:0)				

Register Description

- TBFILL(4:0)** Transmit Buffer Fill  
Indicates to the GHDLIC unit the currently available number of bytes - 1 in the transmit buffer.
- TXCMD** Transmission Command  
0 = Transmission is not started  
1 = Start transmission
- STOP** **Stop Command**  
0 = Message continues in the next buffer  
1 = End of the message is in this buffer

6.2.6.9 ASYNC Control Register

**GASYNC Register** read/ write Address: D0D2<sub>H</sub>

Reset value: 0000

15	14	13	12	11	10	9	8
x	x	x	x	x	x	x	x
7	6	5	4	3	2	1	0
IOPORT(7..0)							

Accesses to register GASYNC:

<b>IOPORT bits</b>	Writing a "1" to the bit position sets the port pin below	Reading from the bit position indicates the current state of the port pin below
bit 0	LTXD0	LRXD0
bit 1	LTXD1	LRXD1
bit 2	LTXD2	LRXD2
bit 3	LTXD3	LRXD3
bit 4	$\overline{\text{LRTS0}}$	$\overline{\text{LCTS0}}$
bit 5	$\overline{\text{LRTS1}}$	$\overline{\text{LCTS1}}$
bit 6	$\overline{\text{LRTS2}}$	$\overline{\text{LCTS2}}$
bit 7	$\overline{\text{LRTS3}}$	$\overline{\text{LCTS3}}$

Accesses to the different bits of this register are only possible in ASYNC mode of the corresponding GHDLIC channel (See "GHDLIC Mode Registers" on page 42.).



Register Description

Note: GHDLC channels 3..1 are only accessible, if respective bits in register MUXCTRL are set.

6.2.6.10 LCLK0 Control Register

**LCLK0 Control Register (GLCLK0)** read/write Address: D08A<sub>H</sub>

Reset value: 0000<sub>H</sub>

15	14	13	12	11	10	9	8
x	x	x	x	x	x	x	x
7	6	5	4	3	2	1	0
x	x	x	x	x	LCLK0EN	LCLK0(1:0)	

Note: 'x' = unused bits, read as 0.

- LCLK0EN** LCLK0 Output Enable  
 0 = LCLK0 is input (default)  
 1 = LCLK0 is driven outward via LCLK0 pin

- LCLK0(1:0)** LCLK0 Output Clock Rate  
 Note: This option is valid only when LCLK0 is output. When LCLK0 is input the frequency is determined externally.  
 00 = 2.048 MHz (default)  
 01 = 4.096 MHz  
 10 = 8.192 MHz  
 11 = 16.384 MHz

Register Description

6.2.6.11 LCLK1 Control Register

**LCLK1 Control Register (GLCLK1)** read/write Address: D08B<sub>H</sub>

Reset value: 0000<sub>H</sub>

15	14	13	12	11	10	9	8
x	x	x	x	x	x	x	x
7	6	5	4	3	2	1	0
x	x	x	x	x	LCLK1EN	LCLK1(1:0)	

Note: 'x' = unused bits, read as 0.

- LCLK1EN** LCLK1 Output Enable
  - 0 = LCLK1 is input (default)
  - 1 = LCLK1 is driven outward via LCLK1 pin

**LCLK1(1:0)** LCLK1 Output Clock Rate

*Note: This option is valid only when LCLK1 is output. When LCLK1 is input the frequency is determined externally.*

- 00 = 2.048 MHz (default)
- 01 = 4.096 MHz
- 10 = 8.192 MHz
- 11 = 16.384 MHz

Register Description

6.2.6.12 LCLK2 Control Register

**LCLK2 Control Register (GLCLK2)** read/write Address: D08C<sub>H</sub>

Reset value: 0000<sub>H</sub>

15	14	13	12	11	10	9	8
x	x	x	x	x	x	x	x
7	6	5	4	3	2	1	0
x	x	x	x	x	LCLK2EN	LCLK2(1:0)	

Note: 'x' = unused bits, read as 0.

- LCLK2EN** LCLK2 Output Enable
  - 0 = LCLK2 is input (default)
  - 1 = LCLK2 is driven outward via LCLK2 pin

**LCLK2(1:0)** LCLK2 Output Clock Rate

*Note: This option is valid only when LCLK2 is output. When LCLK2 is input the frequency is determined externally.*

- 00 = 2.048 MHz (default)
- 01 = 4.096 MHz
- 10 = 8.192 MHz
- 11 = 16.384 MHz

Register Description

6.2.6.13 LCLK3 Control Register

**LCLK3 Control Register (GLCLK3)** read/write Address: D08D<sub>H</sub>

Reset value: 0000<sub>H</sub>

15	14	13	12	11	10	9	8
x	x	x	x	x	x	x	x
7	6	5	4	3	2	1	0
x	x	x	x	x	LCLK3EN	LCLK3(1:0)	

Note: 'x' = unused bits, read as 0.

- LCLK3EN** LCLK3 Output Enable
  - 0 = LCLK3 is input (default)
  - 1 = LCLK3 is driven outward via LCLK3 pin

**LCLK3(1:0)** LCLK3 Output Clock Rate

*Note: This option is valid only when LCLK3 is output. When LCLK3 is input the frequency is determined externally.*

- 00 = 2.048 MHz (default)
- 01 = 4.096 MHz
- 10 = 8.192 MHz
- 11 = 16.384 MHz

### 6.2.6.14 Muxes Control Register

**MUXCTRL Register**

**OAK:** read/write

Address: D14A<sub>H</sub>

Reset value: 0000<sub>H</sub>

15	14	13	12	11	10	9	8
x	x	x	x	x	x	x	x
7	6	5	4	3	2	1	0
x	x	x	x	x	PMUX1	PMUX0	IMUX

#### IMUX

- 0 = IOM-2000 pins are used for the IOM-2000 interface
- 1 = IOM-2000 pins are used for the GHDLIC cha. 1

#### PMUX0

- 0 = PCM ports 0 & 2 pins are used for PCM
- 1 = PCM ports 0 & 2 pins are used for GHDLIC cha. 2

#### PMUX1

- 0 = PCM ports 1 & 3 pins are used for PCM
- 1 = PCM ports 1 & 3 pins are used for GHDLIC cha. 3

Register Description

6.2.7 DCU Register Description

6.2.7.1 Interrupt Mask Register

**IMASK Register** read/write Address: D002<sub>H</sub>

Reset value: 0000<sub>H</sub>

15	14	13	12	11	10	9	8
x	x	x	x	x	x	x	x
7	6	5	4	3	2	1	0
x	x	x	x	x	x	x	IMASK

**IMASK** GHDLC Interrupt Mask  
 0 = GHDLC interrupt disabled  
 1 = GHDLC interrupt enabled

*Note: The unused bits (x) are read as '0'.*

6.2.7.2 Status Event Register

**STEVE Register** read Address: D003<sub>H</sub>

Reset value: 0000<sub>H</sub>

15	14	13	12	11	10	9	8
x	x	x	x	x	x	x	x
7	6	5	4	3	2	1	0
x	x	x	x	x	PFS	FSC	FP

**PFS** PFS Status Bit  
 0 = normal operation  
 1 = PFS rising edge has occurred (reset by DSP read access)

**Register Description**

**FSC** FSC Status Bit  
 0 = normal operation  
 1 = FSC rising edge has occurred (reset by DSP read access)

**FP** FSC & PFS Status Bit  
 0 = normal operation  
 1 = Both FSC and PFS rising edges have occurred, i.e. bits PFS and FSC are set (reset by DSP read access)

*Note: Unused bits ('x') are read as '0'.*

**6.2.7.3 Statistics Counter Register**

**STATC Register** read/write Address: D004<sub>H</sub>

Reset value: unchanged

Reset value: unchanged upon chip reset, but reset upon FSC detection if STATC was read by the DSP since last occurrence of FSC.

15	14	13	12	11	10	9	8
x	x	x	x	x	x	x	x
7	6	5	4	3	2	1	0
STATC(7:0)							

**STATC (7:0)** Statistics Counter Value

*Note: The unused bits (x) are read as '0'.*

Register Description

6.2.7.4 Statistics Register

**STATI Register** read/write Address: D005<sub>H</sub>

Reset value: 0000<sub>H</sub>

15	14	13	12	11	10	9	8
x	x	x	x	x	x	x	x
7	6	5	4	3	2	1	0
MSC(7:0)							

**MSC(7:0)** Max. Statistics Count

*Note: The unused bits (x) are read as '0'.*

6.2.8  $\mu$ P Configuration Registers

6.2.8.1  $\mu$ P Interface Configuration Register

**MCFG Register** DSP: read DSP Address: D148<sub>H</sub>  
 $\mu$ P: read/write  $\mu$ P high address: none  
 $\mu$ P low address: 48<sub>H</sub>

Reset value: 00<sub>H</sub>

15	14	13	12	11	10	9	8
x	x	x	x	x	x	x	MODE
7	6	5	4	3	2	1	0
DRQLV	IRQLV	IRQMO	IMASK	IACK	PEC	FB	DMA

**DMA** DMA Mode Enabled  
0 = No DMA



---

**Register Description**

	1 =	DMA enabled
<b>FB</b>	Fly-by Mode	
	0 =	Memory-to-memory mode used for DMA transfers
	1 =	Fly-by mode used for DMA transfers
<b>PEC</b>	PEC Transfers Enable	
	0 =	No PEC Transfers
	1 =	PEC transfers are supported (for connection of C16x $\mu$ P)
<b>IACK</b>	Interrupt Acknowledge Mode	
	0 =	Interrupt vector is provided to CPU after 1st IACK pulse.
	1 =	Interrupt vector is provided to CPU after 2nd IACK pulse.
<b>IMASK</b>	Interrupt Mask	
	0 =	IREQ pin is disabled
	1 =	IREQ pin is enabled
<b>IRQMO</b>	IREQ Pin Mode	
	0 =	Open-drain mode
	1 =	Push-pull mode
<b>IRQLV</b>	IREQ Pin Level	
	0 =	Low active
	1 =	High active
<b>DRQLV</b>	DREQR/DREQT Pins Level	
	0 =	High active
	1 =	Low active
<b>MODE</b>	$\mu$ P Interface Mode	
	Contains the value of MODE input pin sampled by rising edge of $\overline{\text{RESET}}$	
	<i>Note: This signal is hardwired.</i>	
	0 =	Intel/Siemens mode
	1 =	Motorola mode





**Register Description**

1 = Mailbox is blocked for the external  $\mu$ P. The  $\mu$ P may not write a command to MCMD.

*Note: MBUSY is automatically set each time a command is written to MCMD by the  $\mu$ P.*

*MBUSY is reset automatically by a direct OAK write operation to the MBUSY register.*

**6.2.9.3  $\mu$ P Mailbox Generic Data Register**

**MGEN Register**

DSP: read

DSP Address: D144<sub>H</sub>

DSP high: D143<sub>H</sub>

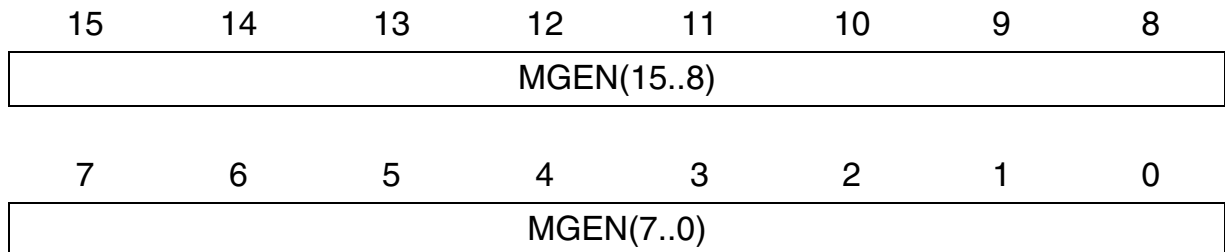
DSP low: D142<sub>H</sub>

$\mu$ P: write

$\mu$ P high: 43<sub>H</sub>

$\mu$ P low: 42<sub>H</sub>

Reset value: unchanged

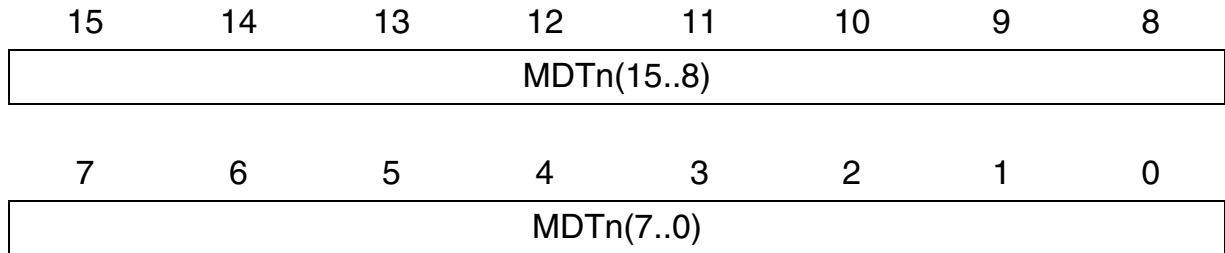


**MGEN (15..0)**  $\mu$ P Mailbox Generic Data (16 bits)

### 6.2.9.4 $\mu$ P Mailbox (General and DMA Mailbox) Data Registers

**MDTn Register (n=0..7)**                      DSP: read      Addr. see table on page 6-6  
**TDTn/ MDTn+8 Register (n=0..7)**                       $\mu$ P: write

Reset value: unchanged



**MDTn (15..0)**       $\mu$ P Mailbox Data (each byte is addressed separately by the external  $\mu$ P)

*Note: The 16 data registers (MDT1..7, TDT0/MDT8..TDT7/MDT15) have the same structure. The addresses are displayed in the register map (page 6-6, page 6-7).*

### 6.2.9.5 DSP Command Register

**OCMD Register**                                      DSP: write                      DSP address: D160<sub>H</sub>  
     $\mu$ P: read                                       $\mu$ P address: 60<sub>H</sub>

Reset value: 00<sub>H</sub>



**OCMD**      DSP Command  
    Contains the DSP command/ indication (8-bit opcode) to the DELIC.

Register Description

6.2.9.6 DSP Mailbox Busy Register

**OBUSY Register**

DSP: read  
 μP: read/ write

DSP Address: D161<sub>H</sub>  
 μP high address: 61<sub>H</sub>  
 μP low address: none

Reset value: 00<sub>H</sub>

15	14	13	12	11	10	9	8
OBUSY	x	x	x	x	x	x	x
7	6	5	4	3	2	1	0
x	x	x	x	x	x	x	x

**OBUSY** DSP Mailbox Busy Bit

- 0 = Mailbox is available for the DSP. The DSP may write a command/ indication to OCMD.
- 1 = Mailbox is blocked for the DSP. The DSP may not write a command/ indication to OCMD.

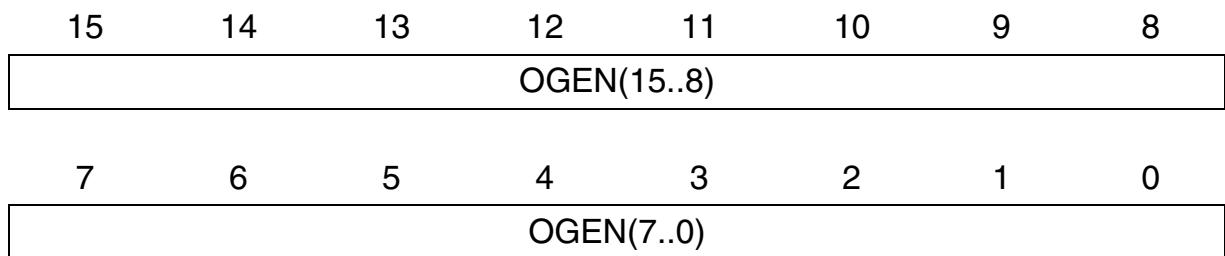
*Note: OBUSY is automatically set each time a command/ indication is written to OCMD by the DSP.  
 OBUSY is reset automatically by a direct μP write operation to the OBUSY register*

Register Description

**6.2.9.7 DSP Mailbox Generic Data Register**

<b>OGEN Register</b>	DSP: write	DSP address: D164 <sub>H</sub> DSP high: D163 <sub>H</sub> DSP low: D162 <sub>H</sub>
	μP: read	μP high: 63 <sub>H</sub> μP low: 62 <sub>H</sub>

Reset value: unchanged

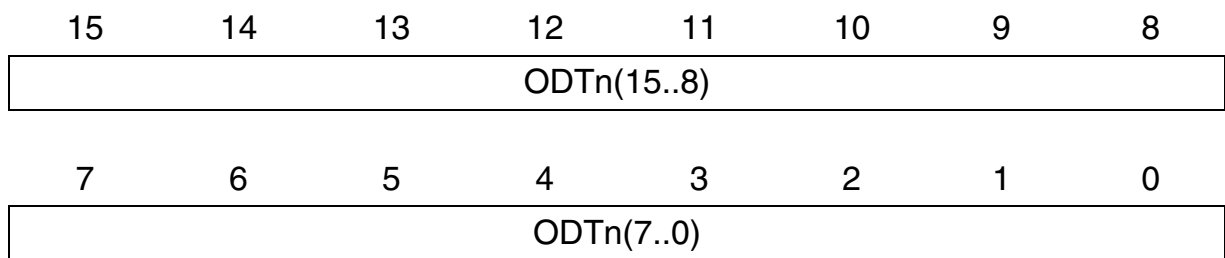


**OGEN** DSP Mailbox Generic Data (16 bits)  
**15..0**

**6.2.9.8 DSP Mailbox (General and DMA Mailbox) Data Registers**

<b>ODTn Register (n= 0..15)</b>	DSP: write	Addr. see table on page 6-7
<b>RDTn/ ODTn+8 Register (n=0..7)</b>	μP: read	

Reset value: unchanged



**ODTn** DSP Mailbox Data (each byte is addressed separately by the external μP)  
**(15..0)**

*Note: The 16 data registers (ODT1..7, RDT0/ODT8..RDT7/ODT15) have the same structure. The addresses are displayed in the register map (page 6-6, page 6-7).*





Register Description

6.2.10.3 DMA Mailbox Interrupt Status Register

**DINSTA Register**

**DSP:** read

Address: D152<sub>H</sub>

Reset value: 0000<sub>H</sub>

15	14	13	12	11	10	9	8
x	x	x	x	x	x	x	x
7	6	5	4	3	2	1	0
x	x	x	x	INSTA(3:0)			

Contains the status of the DMA Mailbox.

Register Description

6.2.11 Clock Generator Register Description

6.2.11.1 PDC Control Register

**PDC Control Register (CPDC)**                      read/write                      Address: D080<sub>H</sub>

Reset value: 0000<sub>H</sub>

15	14	13	12	11	10	9	8
x	x	x	x	x	x	x	x
7	6	5	4	3	2	1	0
x	x	x	x	x	x	PDC(1:0)	

Note: 'x' = unused bits, read as 0.

**PDC(1:0)** PDC Frequency Selection (Only in Master Mode when PDC is output)

- 00 = PDC = 2.048 MHz (default)
- 01 = PDC = 4.096 MHz
- 10 = PDC = 8.192 MHz
- 11 = PDC = 16.384 MHz

6.2.11.2 PFS Control Register

**PFS Control Register (CPFS)**                      read/write                      Address: D081<sub>H</sub>

Reset value: 0001<sub>H</sub>

15	14	13	12	11	10	9	8
x	x	x	x	x	x	x	x
7	6	5	4	3	2	1	0
x	x	x	x	x	x	x	PFS

Note: 'x' = unused bits, read as 0.

**PFS** PFS Frequency Selection  
(Selectable in Slave mode when PFS is input; in Master mode PFS = 8 kHz)

- 0 = PFS = 4 kHz

Register Description

1 = PFS = 8 kHz (default)

*Note: When the PFS is output, its frequency is always 8 kHz, therefore this bit should be left in its reset-value ('1') and not to be changed.  
The direction of PFS and PDC: input (slave) or output (master) is determined by the Master/Slave strap (DREQR pin) during reset.*

**6.2.11.3 CLKOUT Control Register**

**CLKOUT Control Register (CLKOUT)** read/write

Address: D082<sub>H</sub>

Reset value: 0008<sub>H</sub>

15	14	13	12	11	10	9	8
x	x	x	x	x	x	x	x
7	6	5	4	3	2	1	0
x	x	x	x	CLKOUTEN	CLKOUT		

*Note: 'x' = unused bits, read as 0.*

**CLKOUTEN** CLKOUT Pin Enable

0 = CLKOUT pin is in tri-state.

1 = CLKOUT pin is active. (default)

**CLKOUT** CLKOUT Pin Frequency

000 = 2.048 MHz (default)

001 = 4.096 MHz

010 = 8.192 MHz

011 = 15.36 MHz

100 = 16.384 MHz

### 6.2.11.4 DCXO Reference Clock Select Register

**REFSEL Register (CREFSEL)**      read/write      Address: D083<sub>H</sub>

Reset value: 0000<sub>H</sub>

15	14	13	12	11	10	9	8
x	x	x	x	x	x	x	x
7	6	5	4	3	2	1	0
x	x	x	x	REFSEL EN	REFSEL(2:0)		

*Note: 'x' = unused bits, read as 0*

This register controls the selection of the source of the DCXO 8kHz reference clock

**REFSELEN**    DCXO Reference Clock Enable  
 0 =    The reference clock is disabled (default)  
 1 =    The reference clock is enabled

**REFSEL(2:0)** DCXO Reference Clock Select  
 000 = DXCLK/192 (default)  
 001 = XCLK/256  
 010 = XCLK  
 011 = REFCLK (when input)  
 100 = REFCLK (when input)/64  
 101 = PFS (when input)

Register Description

6.2.11.5 REFCLK Control Register

REFCLK Control Register (CREFCLK) read/write

Address: D084<sub>H</sub>

Reset value: 0003<sub>H</sub>

15	14	13	12	11	10	9	8
x	x	x	x	x	x	x	x
7	6	5	4	3	2	1	0
x	x	x	x	REFCLKEN	REFDIV(2:0)		

Note: 'x' = unused bits, read as 0.

REFCLK may be configured as an input or as an output. When configured as an input, it may be used as a source for the on-chip DCXO 8kHz reference clock. This option is handled by the DCXO Reference Clock Select Register (CREFSEL).

When configured as an output it is derived from XCLK input pin. In order to drive REFCLK, XCLK may be divided by 256, 192, 4, 3 or 1.

- REFCLKEN** REFCLK Pin Output Enable
  - 0 = REFCLK is input, the pad is not output enabled
  - 1 = REFCLK is output

- REFDIV(2:0)** REFCLK Pin Output Divider Selection
 

This determines the value by which the XCLK maximum clock of 2.048 MHz is divided internally.

  - 000 = Division by 256
  - 001 = Division by 192
  - 010 = Division by 4
  - 011 = Division by 3 (default)
  - 100 = Division by 1

Register Description

**6.2.11.6 DCL\_2000 Control Register**

**DCL\_2000 Control Register (CDCL2)** read/write

Address: D085<sub>H</sub>

Reset value: 0004<sub>H</sub>

15	14	13	12	11	10	9	8
x	x	x	x	x	x	x	x
7	6	5	4	3	2	1	0
x	x	x	x	x	DCL2EN	DCL2(1:0)	

Note: 'x' = unused bits, read as 0.

**DCL2EN** DCL\_2000 Clock Enable

0 = DCL\_2000 clock is disabled

1 = DCL\_2000 clock is enabled (default)

**DCL2(1:0)** DCL\_2000 Clock Rate

00 = 3.072 MHz (default)

01 = 6.144 MHz

10 = 12.288 MHz

**6.2.11.7 DCL Control Register**

**DCL Control Register (CDCL)**

read/write

Address: D086<sub>H</sub>

Reset value: 000B<sub>H</sub>

15	14	13	12	11	10	9	8
x	x	x	x	x	x	x	x
7	6	5	4	3	2	1	0
x	x	x	x	DCLLEN	DCL(2:0)		

Note: 'x' = unused bits, read as 0.

**DCLLEN** DCL Clock Enable

0 = DCL is disabled

Register Description

1 = DCL is enabled (default)

**DCL(2:0)** DCL Clock Rate

- 000 = 384 kHz
- 001 = 768 kHz
- 010 = 1536 kHz
- 011 = 2048 kHz (default)
- 100 = 4096 kHz

**6.2.11.8 FSC Control Register**

**FSC Control Register (CFSC)** read/write Address: D087<sub>H</sub>

Reset value: 0002<sub>H</sub>

15	14	13	12	11	10	9	8
x	x	x	x	x	x	x	x
7	6	5	4	3	2	1	0
x	x	x	x	IFSCD	EFSC	FSCEN	FSCSH

Note: 'x' = unused bits, read as 0.

**FSCEN** FSC Clock Enable

- 0 = FSC is disabled (stuck at '0')
- 1 = FSC is enabled (default)

**FSCSH** Short FSC Pulse

- 0 = The next FSC pulse will be longer than 2 DCL cycles (default)
- 1 = The next FSC pulse will be shorter than 2 DCL cycles (short FSC)

**EFSCD** External FSC Delay

- 0 = no delay between FSC and DCL rising edge
- 1 = FSC rising edge is delayed by one CLK61 clock (16 ns) relative to DCL/ DCL2000

**IFSCD** Internal FSC Delay (only valid if CSTRAP: bit0 = 1)

- 0 = no delay between FSC and DCL rising edge

**Register Description**

1 = FSC rising edge is delayed by one CLK61 clock (16 ns) relative to DCL/ DCL2000

*Note: If only one short FSC pulse is needed, this bit should be reset to '0' by the DELIC software, after the next FSC rising edge detection (after the beginning of the next frame). It is not executed automatically by the hardware.*

**6.2.11.9 L1\_CLK Control Register**

**L1\_CLK Control Register (CL1CLK)** read/write Address: D088<sub>H</sub>

Reset value: 0000<sub>H</sub>

15	14	13	12	11	10	9	8
x	x	x	x	x	x	x	x
7	6	5	4	3	2	1	0
x	x	x	x	x	x	L1CLKDIS	L1CLK

*Note: 'x' = unused bits, read as 0.*

**L1CLKEN** L1\_CLK Disable  
 0 = L1\_CLK is enabled (default)  
 1 = L1\_CLK is disabled

**L1CLK** L1\_CLK Clock Rate  
 0 = 7.68 MHz (default)  
 1 = 15.36 MHz



Register Description

**6.2.11.10 PFS Sync Register**

**PFS Sync Register (CPFSSY)**                      read/write                      Address: D089<sub>H</sub>

Reset value: 0000<sub>H</sub>

15	14	13	12	11	10	9	8
x	x	x	x	x	x	x	x
7	6	5	4	3	2	1	0
x	x	x	x			PFSSYNC(1:0)	

Note: 'x' = unused bits, read as 0.

During read cycle the 2 LSBs are driven by the the PFS-sync state-machine's state bits. This is needed only for testing.

The PFS-sync Signal actually resets the 61.44 MHz-Clock-division-Chain. The PFS-sync signal activated with the PFS-rising edge detection, but only when the internal-reset is activated or after a "PFS-sync" instruction was carried out by the OAK. The goal of resetting the 61.44MHz-Clock-division-Chain by PFS-sync, is to lead to a situation in which FSC rises with PFS. After the initial reset by the PFS-sync a small- and flexible phase difference is maintained by the DCXO-PLL. A write access to PFS-Sync Register, resets the 61MHz clock-division chain, including FSC, by the next PFS rising-edge detection. This is true only if the write access was carried-out before the falling edge of PFS. If the write-access comes after the falling edge of PFS, the actual sync operation will not be carried out by the next PFS rising-edge, but with one that will come after it. The written value does not make any difference.

**6.2.11.11 Realtime Counter Register**

**RT Counter Register (CRTCNT)**                      read                      Address: D08E<sub>H</sub>

Reset value: 0000<sub>H</sub>

15	14	13	12	11	10	9	8
RTCOUNT(15:8)							
7	6	5	4	3	2	1	0
RTCOUNT(7:0)							

This 18-bit counter counts 8 kHz cycles. It is used by the software to time the handling of required tasks. One period of the counter (counting from 0000H to FFFFH and back

**Register Description**

to 0000H) is 32.768 sec. Only the 16 MSBs of the counter may be read by the OAK, therefore the actual resolution is 0.5 ms. .

**RTCOUNT(15:0)**      The 16 MSBs of the realtime counter

**6.2.11.12 Strap Status Register**

**Strap Status Register (CSTRAP)**      read/ write      Address: D08F<sub>H</sub>

Reset value: xxxx xxxx xxxx xx10<sub>B</sub>

15	14	13	12	11	10	9	8
x	x	x	x	x	STRAP(10:8)		
7	6	5	4	3	2	1	0
STRAP(7:0)							

*Note: 'x' = unused bits, read as 0.*

**STRAP (10:0)**      This register enables the OAK to read the straps values, as sampled during reset

- bit 10      PCM Clock Master Strap
- bit 9:7      Test Mode Strap
- bit 6      Emulation Boot Strap
- bit 5      PLL Bypass Strap
- bit 4      DSP PLL Power-Down Strap
- bit 3      Boot Strap
- bit 2      Reset counter Bypass Strap
- bit 1      DCXO Fast-Synchronization Enable
  - 0 =      Linear (slow) synchronization (for DECT applications)
  - 1 =      Fast synchronization (default)
- bit 0      Internal Source Clock Strap
  - 0 =      PFS, PDC, DCL, FSC, DCL2000 are delayed by some ns (default)
  - 1 =      PFS, PDC, DCL, FSC, DCL2000 are not delayed



## 8 Electrical Characteristics

### 8.1 Absolute Maximum Ratings

Parameter	Symbol	Limit Values	Unit
Storage temperature	$T_{stg}$	- 65 to 150	°C
IC supply voltage	$V_{DD}$	- 0.3 to 4.6	V
DC input voltage (except I/Os)	$V_I$	- 0.3 to 6.0	V
DC output voltage (including I/Os); output in high or low state	$V_O$	- 0.3 to $V_{DD} + 0.3$	V
DC output voltage (including I/Os); output in tri-state	$V_I, V_O$	- 0.3 to 6.0	V
ESD robustness <sup>1)</sup> HBM: 1.5 kΩ, 100 pF	$V_{ESD,HBM}$	1000	V

<sup>1)</sup> According to MIL-Std 883D, method 3015.7 and ESD Ass. Standard EOS/ESD-5.1-1993.  
The Pins (TBD) are not protected against voltage stress > (TDB) V (versus  $V_S$  or GND). The (TBD) performance prohibits the use of adequate protective structures.

**Note:** *Stresses above those listed here may cause permanent damage to the device. Exposure to absolute maximum rating conditions for extended periods may affect device reliability. Maximum ratings are absolute ratings; exceeding only one of these values may cause irreversible damage to the integrated circuit.*

### 8.2 Operating Range

Parameter	Symbol	Limit Values		Unit
		min.	max.	
Power Supply Voltage	$V_{DD}$	3.13	3.47	V
Ground	$V_{SS}$	0	0	V
Voltage applied to input pins	$V_{IN}$	0	5.5	V
Voltage applied to output or I/O pins outputs enabled outputs high-Z	$V_{OUT}$	0	$V_{DD}$	V
	$V_{OUT}$	0	5.5	V
Operating temperature	PEB $T_A$	0	70	°C
	PEF $T_A$	-40	85	°C
Input transition rise or fall time	$\Delta t/\Delta v$	0	10	ns/V

*Note:* In the operating range, the functions given in the circuit description are performed.

**Electrical Characteristics**
**8.3 DC Characteristics**

Parameter	Symbol	Limit Values		Unit	Test Condition
		min.	max.		
High-Level Input Voltage	$V_{IH}$	2.0	$V_{DD} + 0.3$	V	$V_{OUT} \geq V_{OH} \text{ (min)}$
Low-Level Input Voltage	$V_{IL}$	-0.3	0.8	V	$V_{OUT} \leq V_{OL} \text{ (max)}$
High-Level Output voltage (all pins except DD0, DD1, DX, LTxD0, TxD0, TxD1)	$V_{OH}$	2.4		V	$V_{DD} = \text{min},$ $I_{OH} = -2 \text{ mA}$
Low-Level Output voltage (all pins except DD0, DD1, DX, LTxD0, TxD0, TxD1)	$V_{OL}$		0.4	V	$V_{DD} = \text{min},$ $I_{OL} = 2 \text{ mA}$
High-Level Output voltage (pins DD0, DD1, DX, LTxD0, TxD0, TxD1)	$V_{OH}$	2.4		V	$V_{DD} = \text{min},$ $I_{OH} = -7 \text{ mA}$
Low-Level Output voltage (pins DD0, DD1, DX, LTxD0, TxD0, TxD1)	$V_{OL}$		0.4	V	$V_{DD} = \text{min},$ $I_{OL} = 7 \text{ mA}$
Input leakage current	$I_{IL}$		1	$\mu\text{A}$	$V_{DD} = 3.3 \text{ V},$ $\text{GND} = 0 \text{ V};$ all other pins are floating; $V_{IN} = 0 \text{ V}$
Output leakage current	$I_{OZ}$		1	$\mu\text{A}$	$V_{DD} = 3.3 \text{ V},$ $\text{GND} = 0 \text{ V};$ $V_{OUT} = 0 \text{ V}$
Avg. power supply current	$I_{CC} \text{ (AV)}$		TBD	mA	$V_{DD} = 3.3 \text{ V},$ $T_A = 25 \text{ }^\circ\text{C};$ PDC = 8 MHz DSP @ 61.44 MHz

*Note: The listed characteristics are ensured over the operating range of the integrated circuit. Typical characteristics specify mean values expected over the production spread. If not otherwise specified, typical characteristics apply at  $T_A = 25 \text{ }^\circ\text{C}$  and the given supply voltage.*

Electrical Characteristics

### 8.4 Capacitances

Parameter	Symbol	Limit Values		Unit	Notes
		min.	max.		
Input Capacitance	$C_{IN}$		7	pF	$f_C = 1$ MHz, The pins, which are not under test, are connected to GND
I/O Capacitance	$C_{I/O}$		7	pF	
Output Capacitance	$C_{OUT}$		10	pF	
Crystal input capacitance (pin CLK16-XI)	$C_{XIN}$		3.3 (TBD)	pF	
Crystal output capacitance (pin CLK16-XO)	$C_{XOUT}$		3.3 (TBD)	pF	

### 8.5 Recommended 16.384 MHz Crystal Parameters

Parameter	Symbol	Limit Values		Unit	Test Condition
		min.	max.		
Motional Capacitance	$C_1$	25		fF	
Shunt Capacitance	$C_0$	7		pF	
External Load Capacitance	$C_L$	$\leq 15$		pF	
Resonance Resistance	$R_r$	$\leq 30$		$\Omega$	
Frequency Calibration Tolerance		$\leq 150$		ppm	

## 9 Timing Diagrams

### 9.1 General

For TTL and CMOS voltage levels refer to the relevant JEDEC specifications, e.g. to JEDEC8-A for 3V/3.3V devices which are 5V compatible.

*Note: The complete AC characteristics will be provided after the electrical characterization of the device.*

**All timing shown are preliminary.**

### 9.2 $\mu$ P Access Timing

$\mu$ P accesses of the DELIC are performed by an activation of the address and  $\overline{CS}$ .

- By driving the MODE pin 'high' the user selects Motorola mode, by driving it 'low' - Intel/Infineon mode. The pin is sampled during the rising edge of  $\overline{RESET}$ .
- In Intel/Infineon mode, a distinction is needed between working in multiplexed address/data bus mode and de-multiplexed address and data bus mode. In Motorola Mode, only de-multiplexed buses are used. The selection between multiplexed and de-multiplexed bus configurations is done by using the ALE pin.

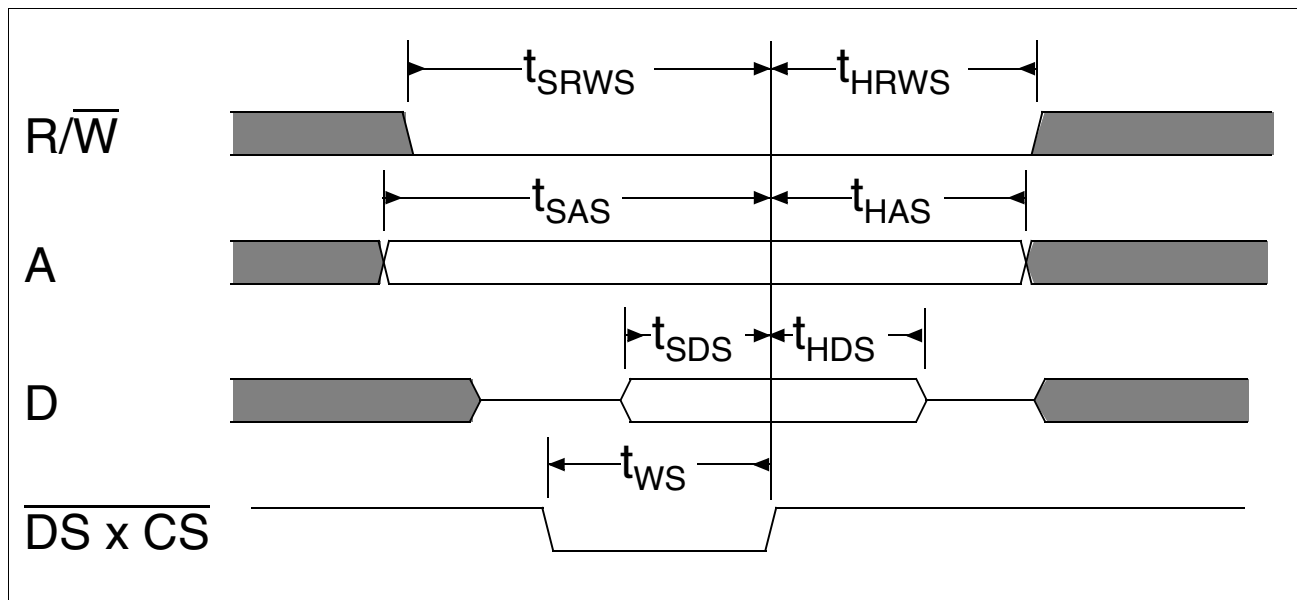
#### 9.2.1 $\mu$ P Access Timing in Motorola mode

In this mode  $R/\overline{W}$  distinguishes between Read and Write interactions, and  $\overline{DS}$  is used for timing.

**Table 9-1 Timing For Write Cycle In Motorola Mode**

Parameter	Symbol	Limit Values		Unit	Test Condition
		min.	max.		
R/ $\overline{W}$ setup time before $\overline{DS} \times \overline{CS}$ rising edge	$t_{SRWS}$	15		ns	Output load capacity of 50 pF
R/ $\overline{W}$ hold time after $\overline{DS} \times \overline{CS}$ rising edge	$t_{HRWS}$	5		ns	
A-bus setup time before $\overline{DS} \times \overline{CS}$ rising edge	$t_{SAS}$	15		ns	
A-bus hold time after $\overline{DS} \times \overline{CS}$ rising edge	$t_{HAS}$	5		ns	
D-bus setup time before $\overline{DS} \times \overline{CS}$ rising edge	$t_{SDS}$	12		ns	
D-bus hold time after $\overline{DS} \times \overline{CS}$ rising edge	$t_{HDS}$	10		ns	
$\overline{DS} \times \overline{CS}$ pulse width	$t_{WS}$	15		ns	

Note:  $\overline{DS} \times \overline{CS}$  is active (low) when both,  $\overline{DS}$  and  $\overline{CS}$ , are active (low)



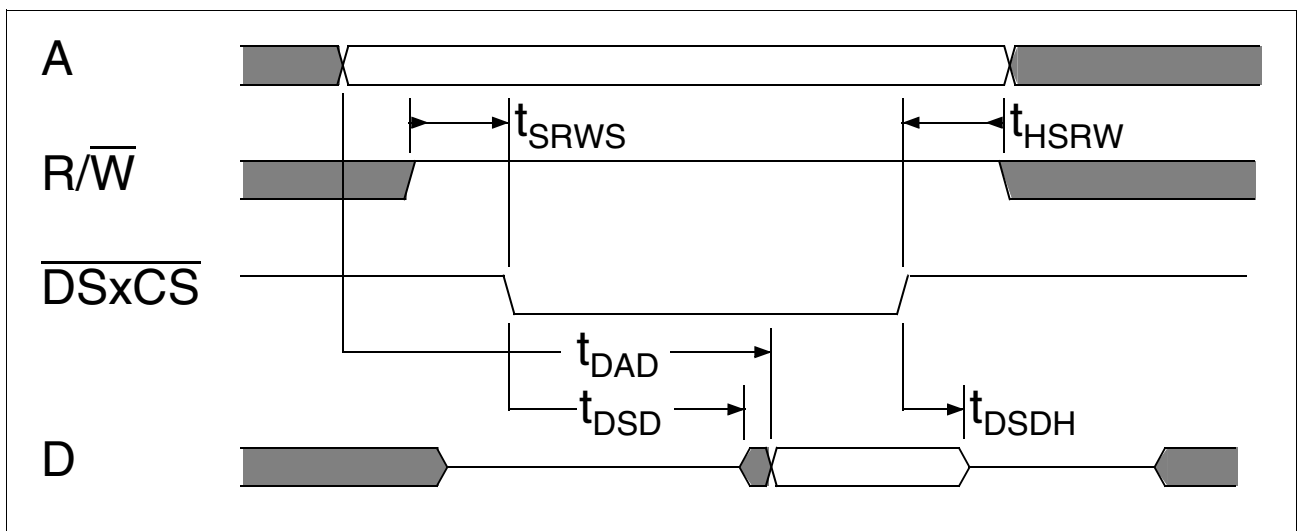
**Figure 9-1 Write Cycle in Motorola Mode**



**Table 9-2 Timing For Read Cycle In Motorola Mode**

Parameter	Symbol	Limit Values		Unit	Test Condition
		min.	max.		
R/ $\overline{W}$ setup time before $\overline{DS} \times \overline{CS}$ falling edge	$t_{SRWS}$	0		ns	Output load capacity of 50 pF
R/ $\overline{W}$ hold time after $\overline{DS} \times \overline{CS}$ rising edge	$t_{HRWS}$	5		ns	
A-bus valid to D-bus valid	$t_{DAD}$	0	20	ns	
$\overline{DS} \times \overline{CS}$ falling edge to D-bus	$t_{DSD}$	0	20	ns	
D-bus float after $\overline{DS} \times \overline{CS}$ rising edge	$t_{DSDH}$	0	15	ns	

Note:  $\overline{DS} \times \overline{CS}$  is active (low) when both,  $\overline{DS}$  and  $\overline{CS}$  are active (low)



**Figure 9-2 Read Cycle in Motorola Mode**

### 9.2.2 $\mu$ P Access Timing in Intel/Infineon Mode

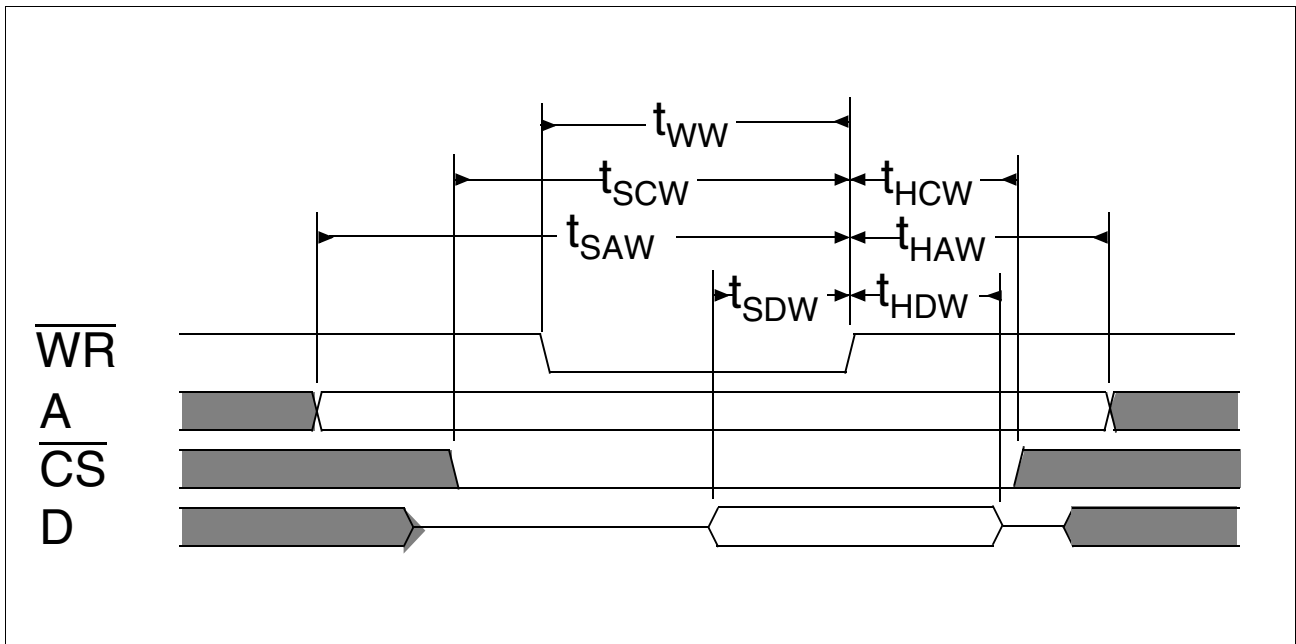
In this mode driving  $\overline{RD}$  'low' causes a read access, driving  $\overline{WR}$  'low' causes a write access.

#### Timing for Demultiplexed Bus

In de-multiplexed bus configuration, ALE must be driven 'high'.

**Table 9-3 Timing For Write Cycle In Intel/Infineon Demultiplexed Mode**

Parameter	Symbol	Limit Values		Unit	Test Condition
		min.	max.		
A-bus setup time before $\overline{WR}$ rising edge	$t_{SAW}$	12		ns	Output load capacity of 50 pF
A-bus hold time after $\overline{WR}$ rising edge	$t_{HAW}$	5		ns	
$\overline{CS}$ setup time before $\overline{WR}$ rising edge	$t_{SCW}$	12		ns	
$\overline{CS}$ hold time after $\overline{WR}$ rising edge	$t_{HCW}$	5		ns	
D-bus setup time before $\overline{WR}$ rising edge	$t_{SDW}$	12		ns	
D-bus hold time after $\overline{WR}$ rising edge	$t_{HDW}$	10		ns	
$\overline{WR}$ pulse width	$t_{WW}$	15		ns	

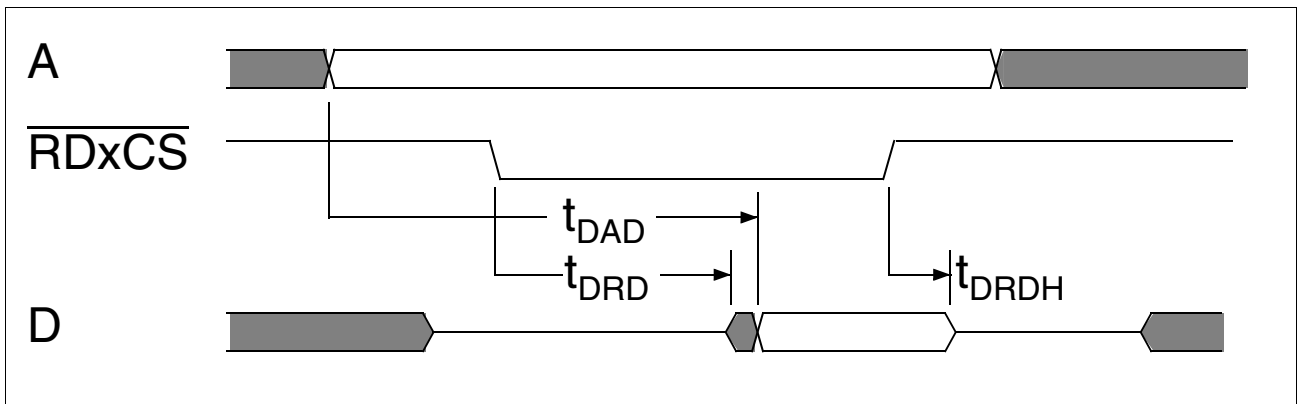


**Figure 9-3 Write Cycle in Intel/Infineon De-multiplexed Mode**

**Table 9-4 Timing For Read Cycle In Intel/Infineon De-multiplexed Mode**

Parameter	Symbol	Limit Values		Unit	Test Condition
		min.	max.		
A-bus valid to D-bus valid	$t_{DAD}$	0	20	ns	Output load capacity of 50 pF
$\overline{RD} \times \overline{CS}$ falling edge to D-bus	$t_{DRD}$	0	20	ns	
D-bus float after $\overline{RD} \times \overline{CS}$ rising edge	$t_{DRDH}$	0	15	ns	

Note:  $\overline{RD} \times \overline{CS}$  is active (low) when both  $\overline{RD}$  and  $\overline{CS}$  are active (low)



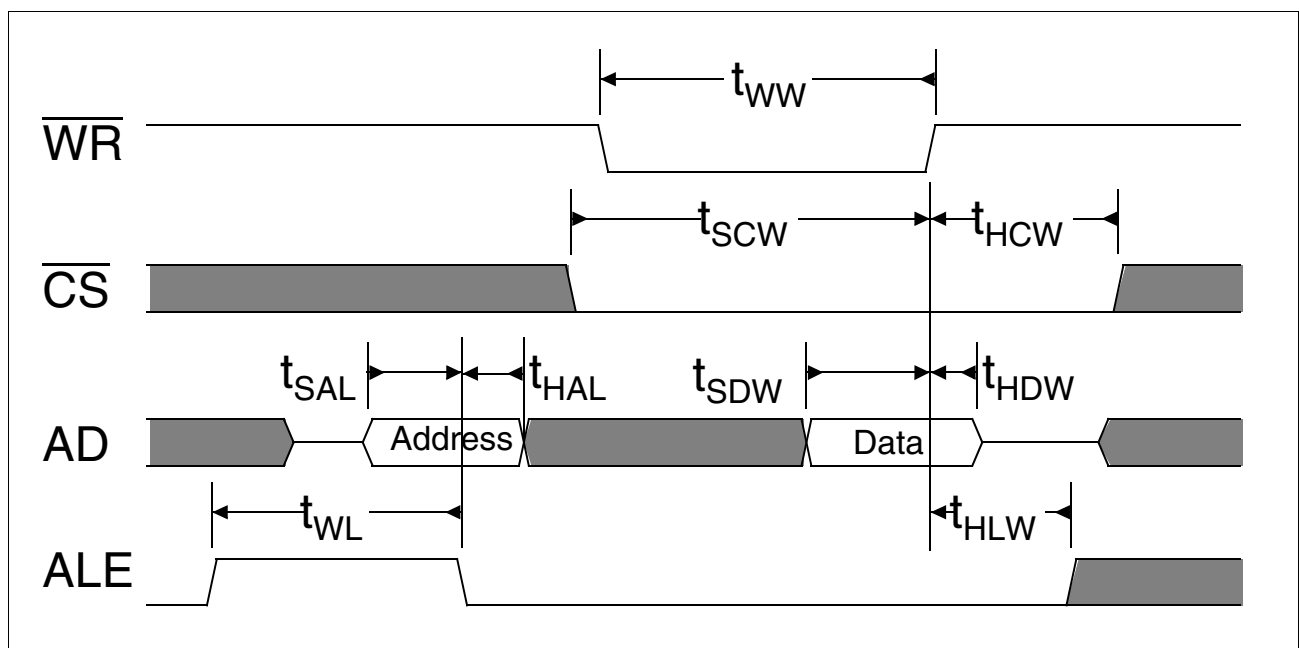
**Figure 9-4 Read Cycle in Intel/Infineon De-multiplexed Mode**

**Timing for Multiplexed Bus**

In this mode the ALE pin is used to lock the address send via the multiplexed A/D bus.

**Table 9-5 Timing For Write Cycle In Intel/Infineon Multiplexed Mode**

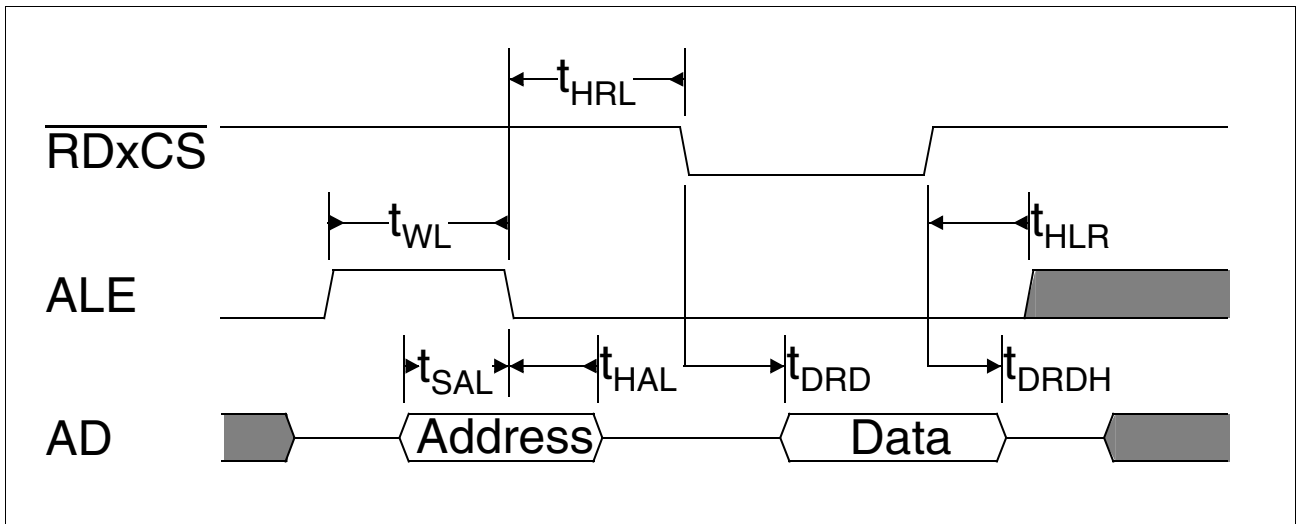
Parameter	Symbol	Limit Values		Unit	Test Condition
		min.	max.		
A-bus setup time before ALE falling edge	$t_{SAL}$	12		ns	Output load capacity of 50 pF
A-bus hold time after ALE falling edge	$t_{HAL}$	5		ns	
ALE pulse width	$t_{WL}$	10		ns	
$\overline{CS}$ setup time before $\overline{WR}$ rising edge	$t_{SCW}$	12		ns	
$\overline{CS}$ hold time after $\overline{WR}$ rising edge	$t_{HCW}$	5		ns	
D-bus setup time before $\overline{WR}$ rising edge	$t_{SDW}$	12		ns	
D-bus hold time after $\overline{WR}$ rising edge	$t_{HDW}$	10		ns	
ALE hold time after $\overline{WR}$ rising edge	$t_{HLW}$	5		ns	
$\overline{WR}$ pulse width	$t_{WW}$	15		ns	



**Figure 9-5 Write Cycle in Intel/Infineon Multiplexed Mode**

**Table 9-6 Timing For Read Cycle In Intel/Infineon Multiplexed Mode**

Parameter	Symbol	Limit Values		Unit	Test Condition
		min.	max.		
ALE low before $\overline{RD} \times \overline{CS}$ falling edge	$t_{HRL}$	5		ns	Output load capacity of 50 pF
ALE hold time after $\overline{RD} \times \overline{CS}$ rising edge	$t_{HLR}$	5		ns	
ALE pulse width	$t_{WL}$	10		ns	
A-bus setup time before ALE falling edge	$t_{SAL}$	12		ns	
A-bus hold time after ALE falling edge	$t_{HAL}$	5		ns	
$\overline{RD} \times \overline{CS}$ falling edge to D-bus valid	$t_{DRD}$	0	20	ns	
D-bus float after $\overline{RD} \times \overline{CS}$ rising edge	$t_{DRDH}$	0	15	ns	



**Figure 9-6 Read Cycle in Intel/Infineon Multiplexed Mode**

### 9.3 Interrupt Acknowledge Cycle Timing

The IREQ (Interrupt REQuest) output signal of the DELIC is activated upon a DSP write operation to the OCMD register (OAK Mailbox command register). This operation sets the OAK Mailbox busy bit (OBUSY), which drives directly the IREQ output signal. The IREQ signal may be masked, by programming the MASK bit within the  $\mu$ P interface Control Register (UPCR).

The microprocessor may force the DELIC to drive the interrupt vector over the data bus by activation of the interrupt acknowledge input signal ( $\overline{IACK}$ ).

Timing Diagrams

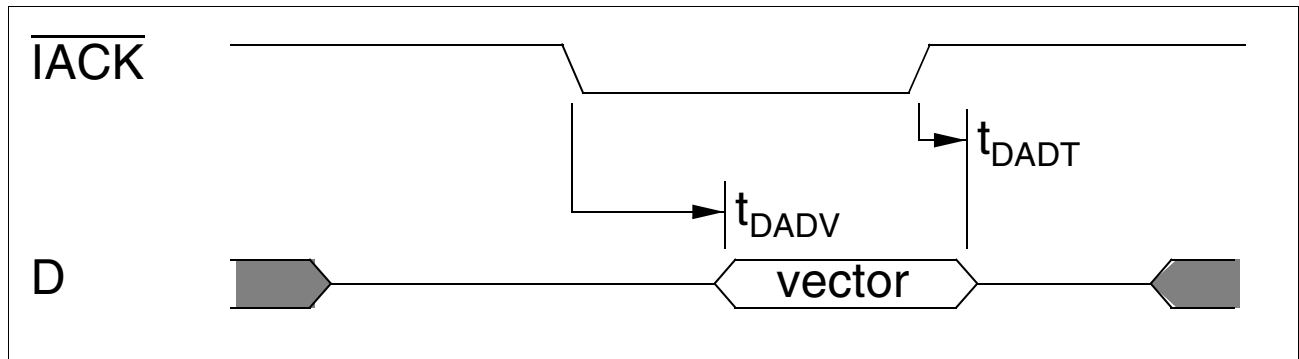
In Motorola mode, an interrupt acknowledge cycle consists of one  $\overline{\text{IACK}}$  pulse, during which the interrupt vector is issued by the DELIC. In Intel/Infineon mode, an interrupt acknowledge cycle consists of two  $\overline{\text{IACK}}$  pulses. Note that the interrupt vector is issued as a response to the second pulse. The source of the vector is the OAK Mailbox interrupt vector register (IVEC). The DSP determines the value stored in this register by a write operation.

IREQ is not deactivated by the  $\overline{\text{IACK}}$  pulses directly, but by a  $\mu\text{P}$  write access to OBUSY.

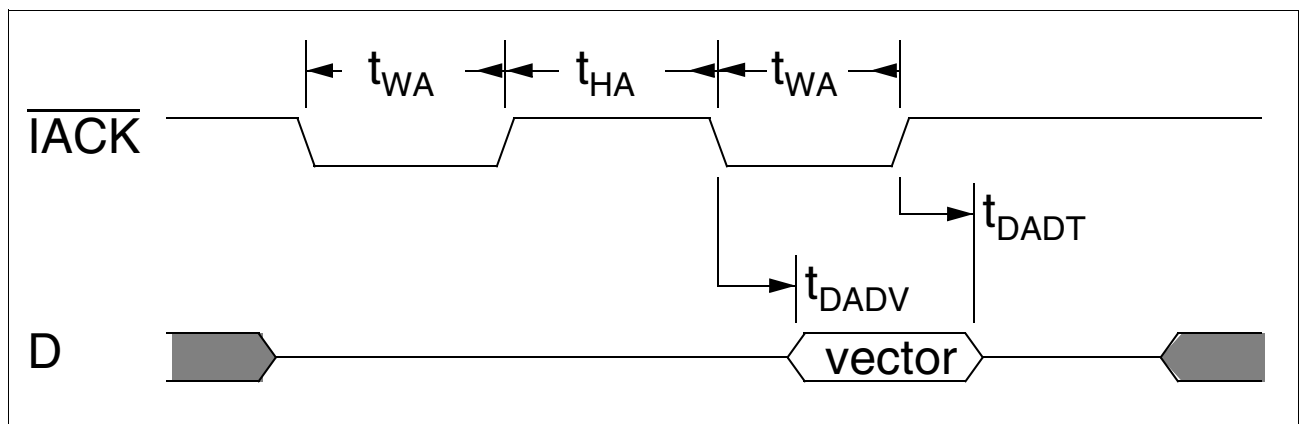
**Table 9-7 Interrupt Acknowledge Cycle Timing**

Parameter	Symbol	Limit Values		Unit	Test Condition
		min.	max.		
D-bus valid after $\overline{\text{IACK}}$ falling edge	$t_{\text{DADV}}$	0	20	ns	Output load capacity of 50 pF
D-bus float after $\overline{\text{IACK}}$ rising edge	$t_{\text{DADT}}$	0	15	ns	
$\overline{\text{IACK}}$ pulse width	$t_{\text{WA}}$	25		ns	
Interval between two $\overline{\text{ACK}}$ pulses	$t_{\text{HA}}$	$10^{1)}$		ns	

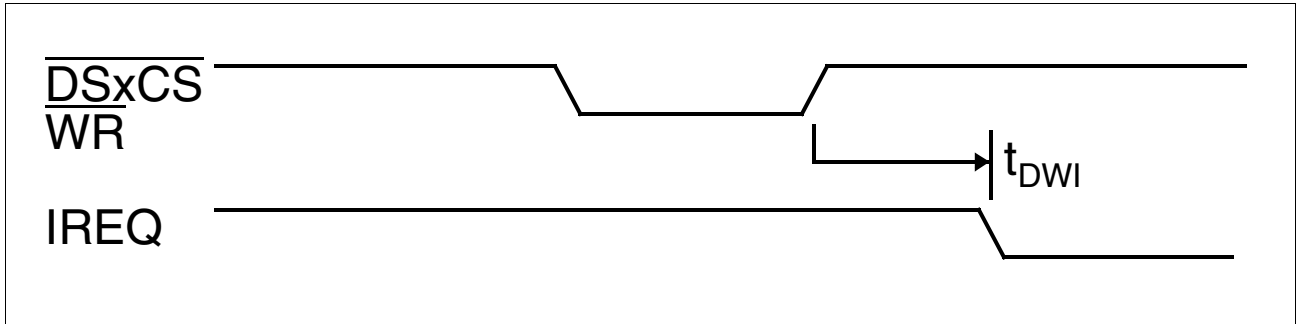
<sup>1)</sup> Valid only for Intel/Infineon mode.



**Figure 9-7 Interrupt Acknowledge Cycle Timing in Motorola Mode**



**Figure 9-8 Interrupt Acknowledge Cycle Timing in Intel/Infineon Mode**



**Figure 9-9 IREQ Deactivation Timing**

*Note: IREQ is deactivated due to  $\mu P$  write operation to OBUSY register. In Motorola mode  $\overline{DS}$  and  $\overline{CS}$  together time the write access. In Intel mode  $\overline{WR}$  alone times the write access. For more details regarding the timing required during write access to the DELIC, refer to section 9.2. The other signals required for a write operation to OBUSY in each mode, are assumed to be driven.*

## 9.4 DMA Access Timing

The exact behavior required from the  $\mu P$  interface signals during a DMA access depends on the following modes:

- Motorola or Intel Mode: Determined by the MODE input pin.
- Normal or 'fly-by' Mode: Programmable in the control register of the  $\mu P$  interface.

In any mode, the  $\overline{DACK}$  input is used to indicate that this is a DMA transaction, and to select the DMA Mailbox. An activation via the  $\overline{CS}$  signal is not required in such cases.

### 9.4.1 DMA Access Timing In Motorola Mode

In this mode  $\overline{DS}$  is used for timing the access, while  $R/\overline{W}$  is used to distinguish between DMA read transactions and DMA write transactions. The  $R/\overline{W}$  input signal is used differently in normal mode and in fly-by mode. The next table shows how  $R/\overline{W}$  should be used in each mode during DMA transactions:

**Table 9-8  $R/\overline{W}$  Behavior During DMA Transactions in Normal and Fly-By Mode**

Mode	$R/\overline{W} = '0'$	$R/\overline{W} = '1'$
Normal (Non-Fly-By)	Write DMA transaction. (A response to DMA transmitter request)	Read DMA transaction. (A response to DMA receiver request)
Fly-By	Read DMA transaction. (A response to DMA receiver request)	Write DMA transaction. (A response to DMA transmitter request)

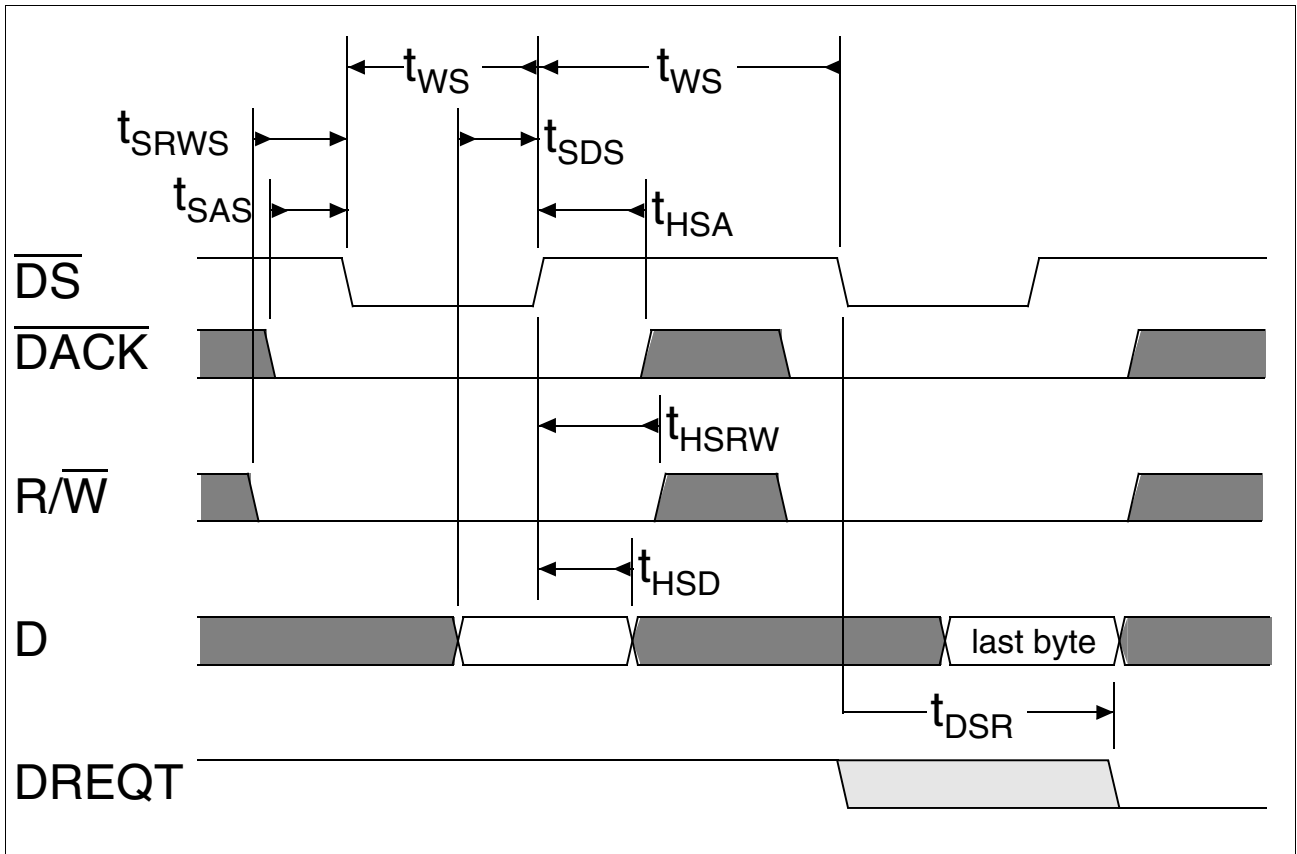
**Timing Diagrams**

In fly-by mode  $\overline{R/\overline{W}}$  is used inverted to the normal mode, since the same signal,  $\overline{R/\overline{W}}$ , is required for concurrent accesses of an external memory device.

**Table 9-9 DMA Transaction timing in Motorola Mode**

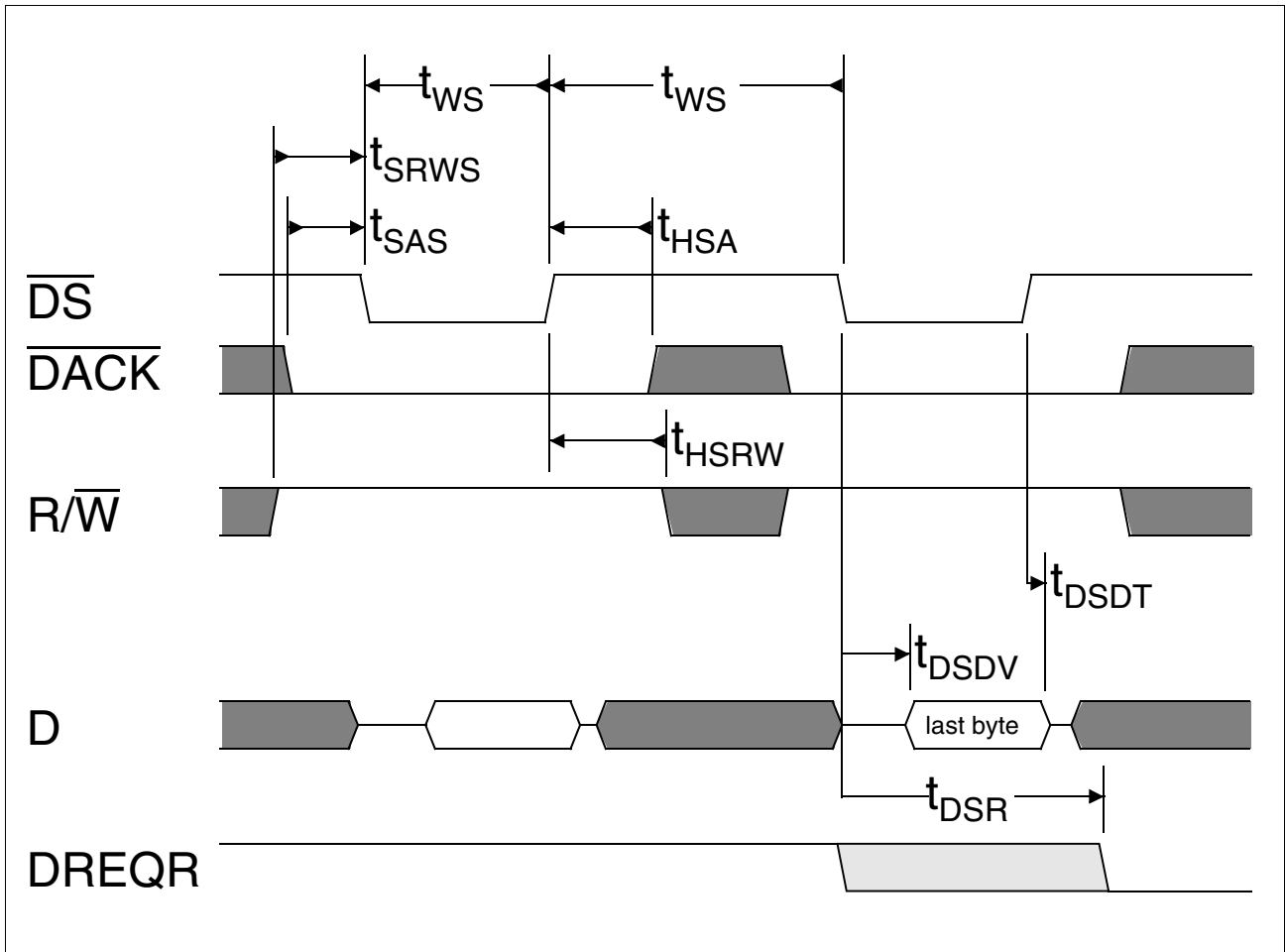
Parameter	Symbol	Limit Values		Unit	Test Conditions
		min.	max.		
$\overline{DACK}$ setup time to $\overline{DS}$ falling edge	$t_{SAS}$	7		ns	Output load capacity of 50 pF
$\overline{DACK}$ hold time after $\overline{DS}$ rising edge	$t_{HSA}$	5		ns	
D-bus setup time to $\overline{DS}$ rising edge	$t_{SDS}$	5		ns	
D-bus hold time after $\overline{DS}$ rising edge	$t_{HSD}$	10		ns	
DREQT/DREQR delay after $\overline{DS}$ falling edge	$t_{DSR}$	0	36	ns	
$\overline{R/\overline{W}}$ setup time to $\overline{DS}$ falling edge	$t_{SRWS}$	7		ns	
$\overline{R/\overline{W}}$ hold time after $\overline{DS}$ rising edge	$t_{HSRW}$	5		ns	
$\overline{DS}$ pulse width and interval between $\overline{DS}$ pulses	$t_{WS}$	30		ns	
D-bus valid after $\overline{DS}$ falling edge	$t_{DSDV}$	0	22		
D-bus float (high impedance) after $\overline{DS}$ rising edge	$t_{DSDT}$	0	15		





**Figure 9-10 DMA Write Transaction Timing in Motorola Mode**

*Note:  $R/\overline{W}$  is shown for normal mode. In Fly-by mode,  $R/\overline{W}$  should be high during DMA write transactions.*



**Figure 9-11 DMA Read-Transaction Timing in Motorola Mode**

*Note:  $R/\bar{W}$  is shown for normal mode. In Fly-by mode,  $R/\bar{W}$  should be low during DMA read transactions.*

### 9.4.2 DMA Access Timing in Intel/Infineon Mode

In this mode,  $\bar{R}$  and  $\bar{W}$  are used for timing the access and to determine whether a DMA read cycle or DMA write cycle has occurred.  $\bar{R}$  and  $\bar{W}$  input signals are used in opposite ways in normal mode and in fly-by mode.

The next table shows how  $\bar{R}$  and  $\bar{W}$  should be used in each mode during DMA transactions:

**Timing Diagrams**
**Table 9-10 R/W Behavior During DMA Transactions in Normal and Fly-By Mode**

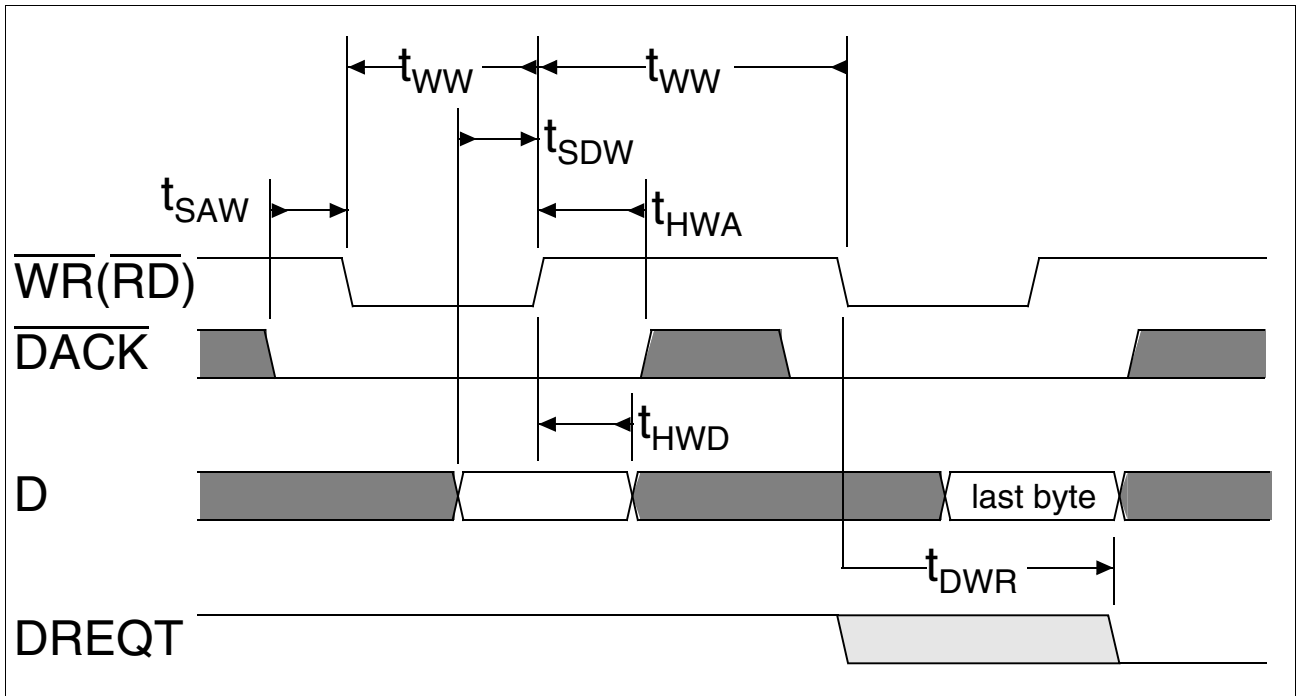
Mode	$\overline{R} = '1', \overline{W} = '0'$	$\overline{R} = '0', \overline{W} = '1'$
Normal (Non-Fly-By)	Write DMA transaction. (A response to DMA transmitter request)	Read DMA transaction. (A response to DMA receiver request)
Fly-By	Read DMA transaction. (A response to DMA receiver request)	Write DMA transaction. (A response to DMA transmitter request)

In Fly-By mode  $\overline{R}$  and  $\overline{W}$  are used inverted to the normal mode, because these signals are required also for concurrent accesses of an external memory device.

**Table 9-11 DMA Transaction Timing in Intel/Infineon Mode**

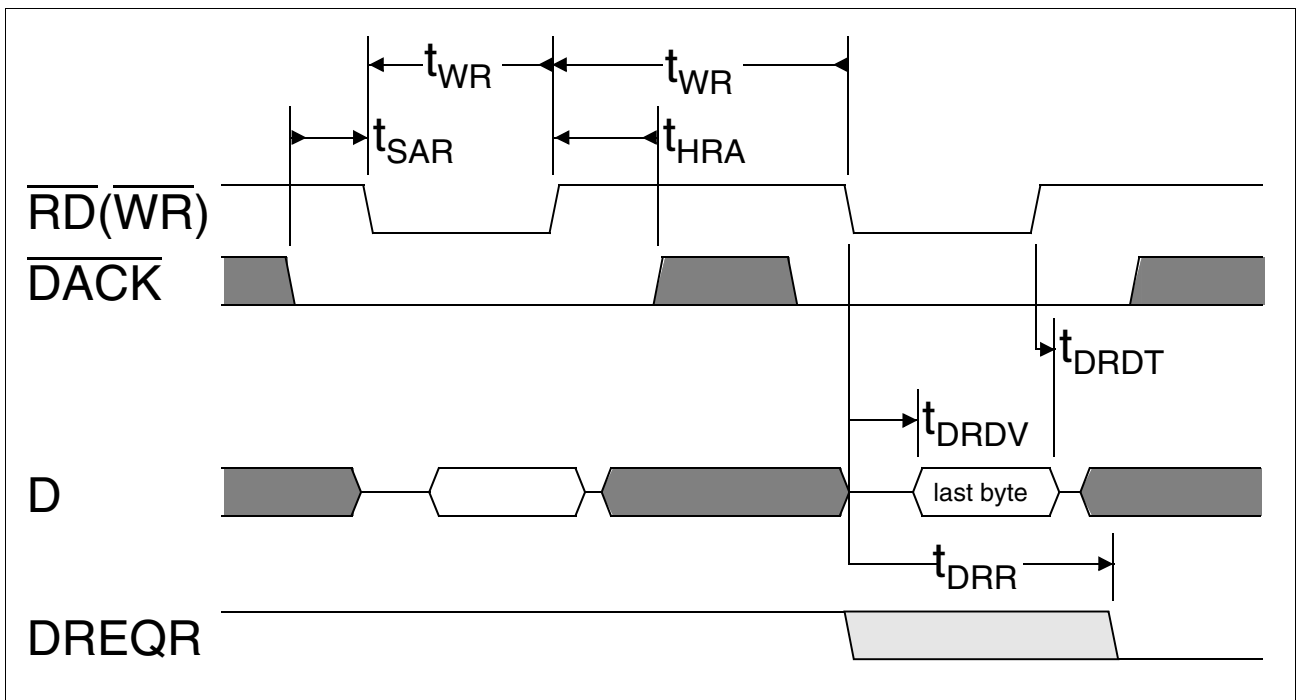
Parameter	Symbol	Limit Values		Unit	Test Conditions
		min.	max.		
$\overline{DACK}$ setup time to $\overline{W}$ or $\overline{R}$ falling edge	$t_{SAW} t_{SAR}$	7		ns	Output load capacity of 50 pF
$\overline{DACK}$ hold time after $\overline{W}$ or $\overline{R}$ rising edge	$t_{HWA}$ $t_{HRA}$	5		ns	
D-bus setup time to $\overline{W}$ rising edge	$t_{SDW}$	5		ns	
D-bus hold time after $\overline{W}$ rising edge	$t_{HWD}$	10		ns	
DREQT/DREQR delay after $\overline{W}$ or $\overline{R}$ falling edge	$t_{DWR}$ $t_{DRR}$	0	36	ns	
$\overline{W}$ pulse width and interval between $\overline{W}$ pulses	$t_{WW}$	30		ns	
$\overline{R}$ pulse width and interval between $\overline{R}$ pulses	$t_{WR}$	30		ns	
D-bus valid after $\overline{R}$ falling edge	$t_{DRDV}$	0	22		
D-bus float (high impedance) after $\overline{R}$ rising edge	$t_{DRDT}$	0	15		

Timing Diagrams



**Figure 9-12 DMA Write Transaction Timing in Intel/Infineon Mode**

*Note: The figure shows a transaction in normal mode. In Fly-by mode,  $\overline{RD}$  is used during DMA write transactions, instead of  $\overline{WR}$*



**Figure 9-13 DMA Read Transaction Timing in Intel/Infineon Mode**

*Note: The figure shows a transaction in normal mode. In Fly-by mode,  $\overline{WR}$  is used during DMA read-transactions, instead of  $\overline{RD}$ .*

### 9.5 IOM<sup>®</sup>-2 Interface Timing

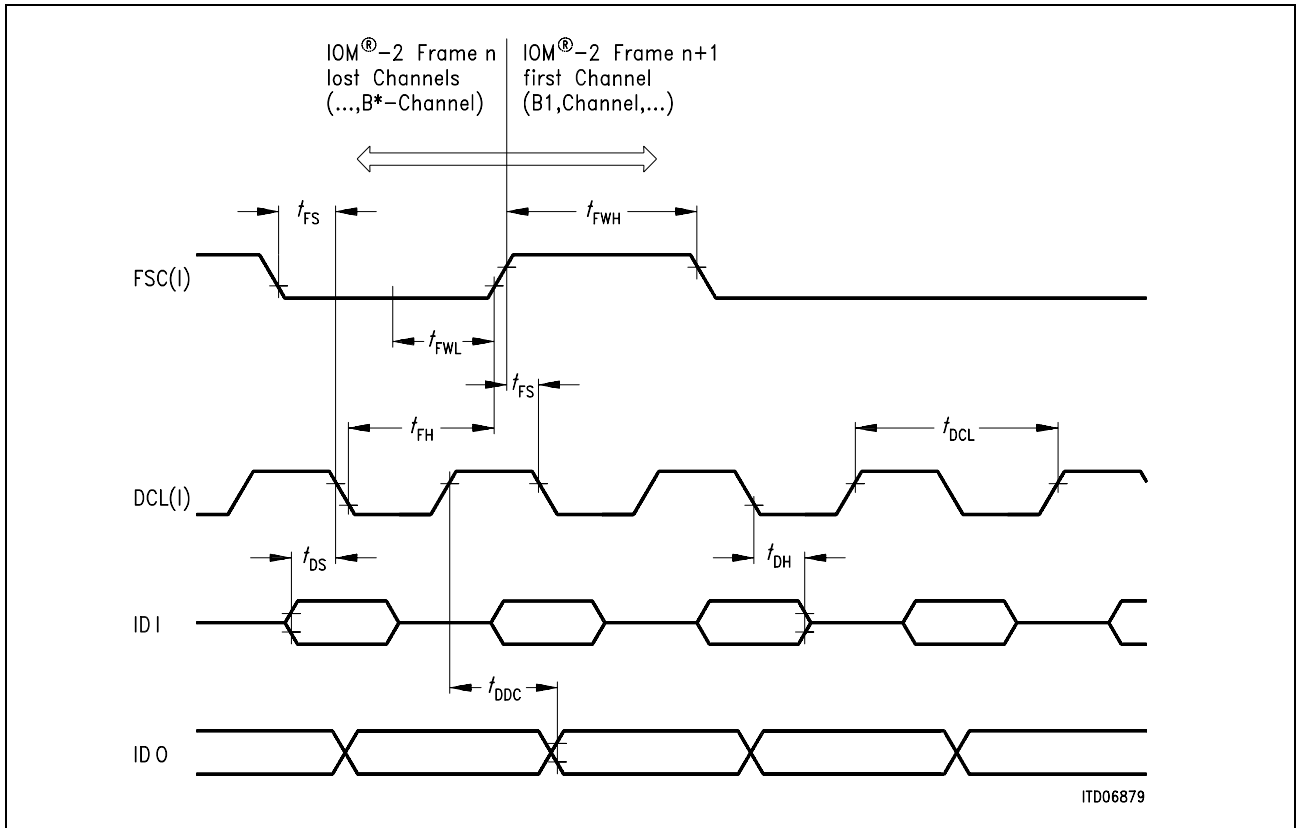


Figure 9-14 IOM<sup>®</sup>-2 Interface Timing with Single Data Rate DCL

Table 9-12 Timing Characteristics of the IOM<sup>®</sup>-2

Parameter	Symbol	Limit Values			Unit	Conditions
		min.	typ.	max.		
Frame sync. hold	$t_{FH}$	30			ns	
Frame sync. setup	$t_{FS}$	70			ns	
Frame sync. high	$t_{FWH}$	130			ns	
Frame sync. low	$t_{FWL}$	$t_{DCL}$				
Data delay to clock	$t_{DDC}$			100	ns	
Data delay to frame <sup>1)</sup>	$t_{DDF}$			150	ns	
Data setup	$t_{DS}$	20			ns	
Data hold	$t_{DH}$	50			ns	

Note: 1)  $t_{DDF} = 0.5 t_{DCL} + t_{DDC} - t_{FH}$

Timing Diagrams

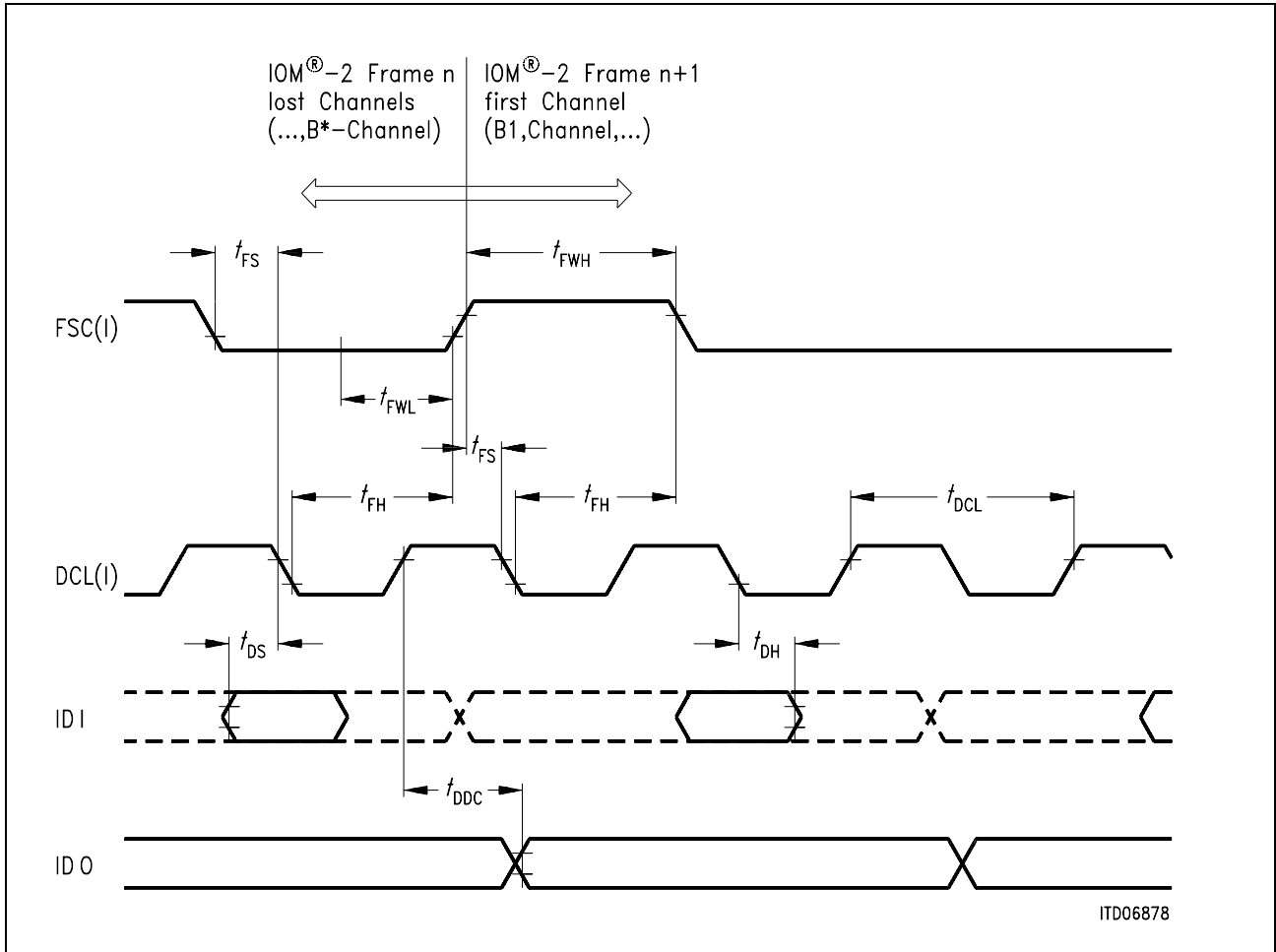


Figure 9-15 Timing of the IOM<sup>®</sup>-2 Interface with Double Data Rate DCL

Table 9-13 Timing Characteristics of the IOM<sup>®</sup>-2

Parameter	Symbol	Limit Values			Unit	Conditions
		min.	typ.	max.		
Frame sync hold	$t_{FH}$	30			ns	
Frame sync setup	$t_{FS}$	70			ns	
Frame sync high	$t_{FWH}$	130			ns	
Frame sync low	$t_{FWL}$	$t_{DCL}$				
Data delay to clock	$t_{DDC}$			100	ns	
Data delay to frame <sup>1)</sup>	$t_{DDF}$			150	ns	
Data setup	$t_{DS}$	20			ns	
Data hold	$t_{DH}$	50			ns	

Note: <sup>1)</sup> $t_{DDF} = 0.5 t_{DCL} + t_{DDC} - t_{FH}$

## 10 Application Hints

### 10.1 DELIC Connection to External Microprocessors

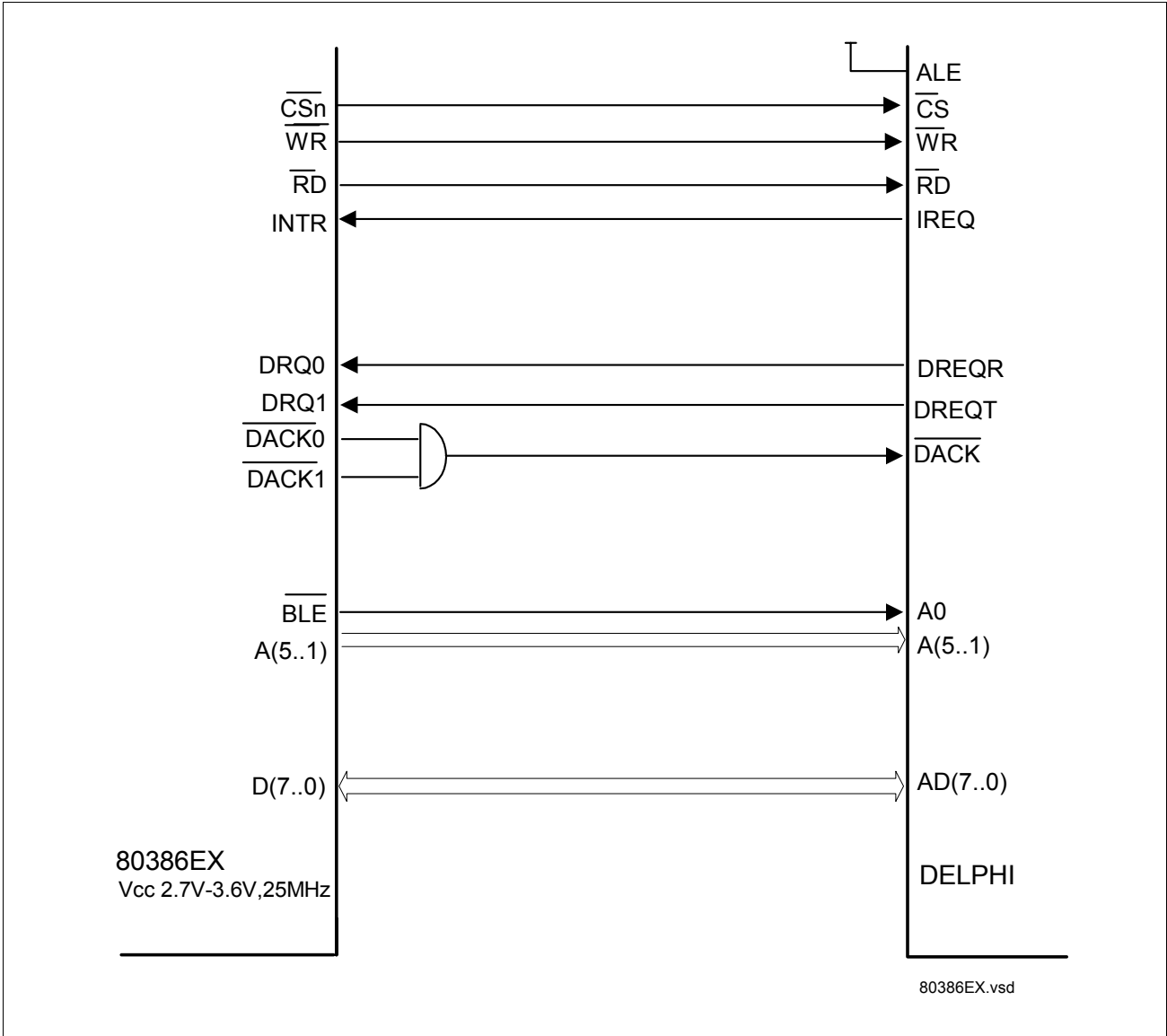


Figure 10-1 DELIC Connection to Intel 80386EX (Demuxed Configuration)

Application Hints

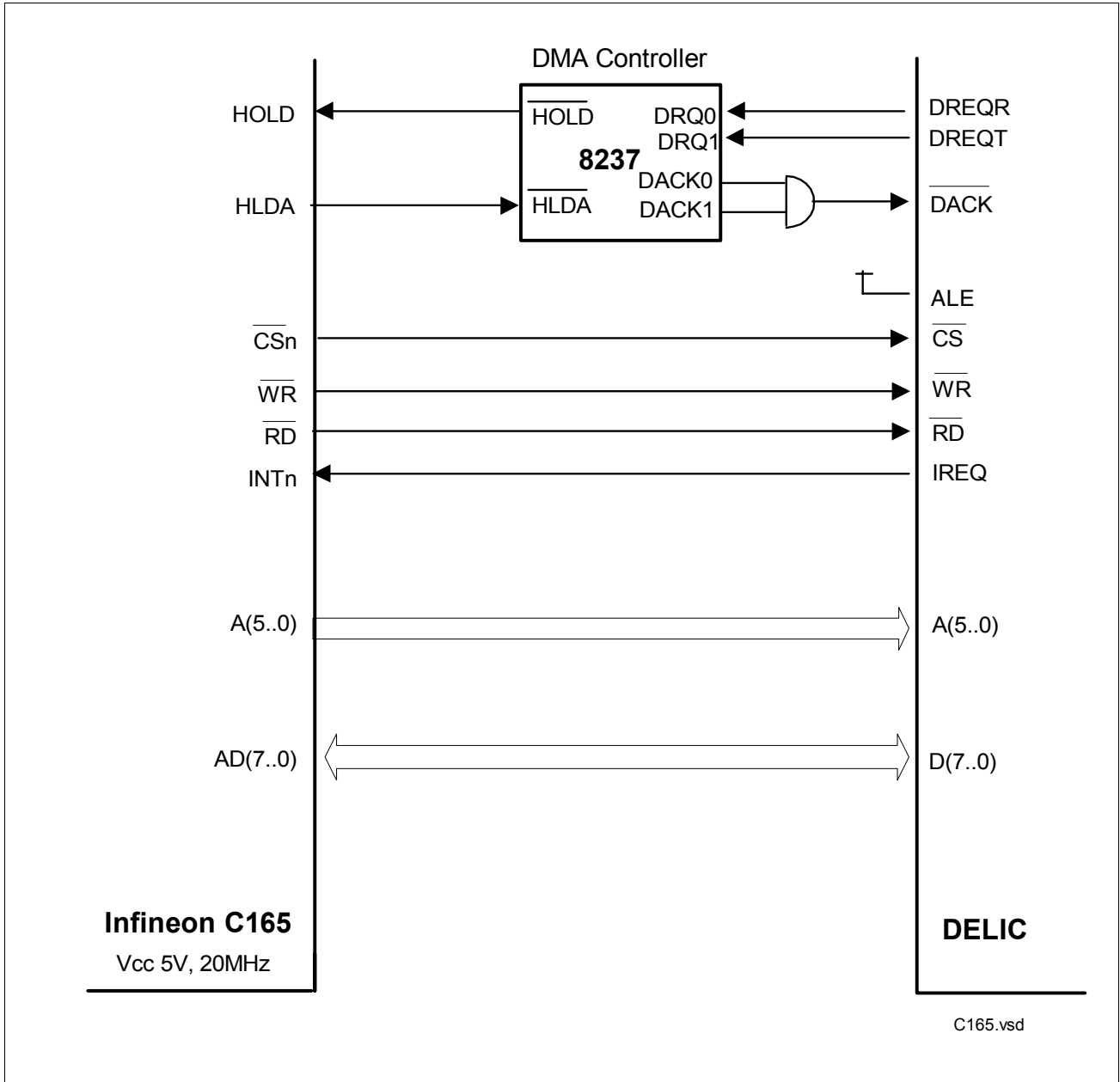


Figure 10-2 DELIC Connection to Siemens C165 (Demuxed Configuration)



## 10.2 DELIC Worksheets

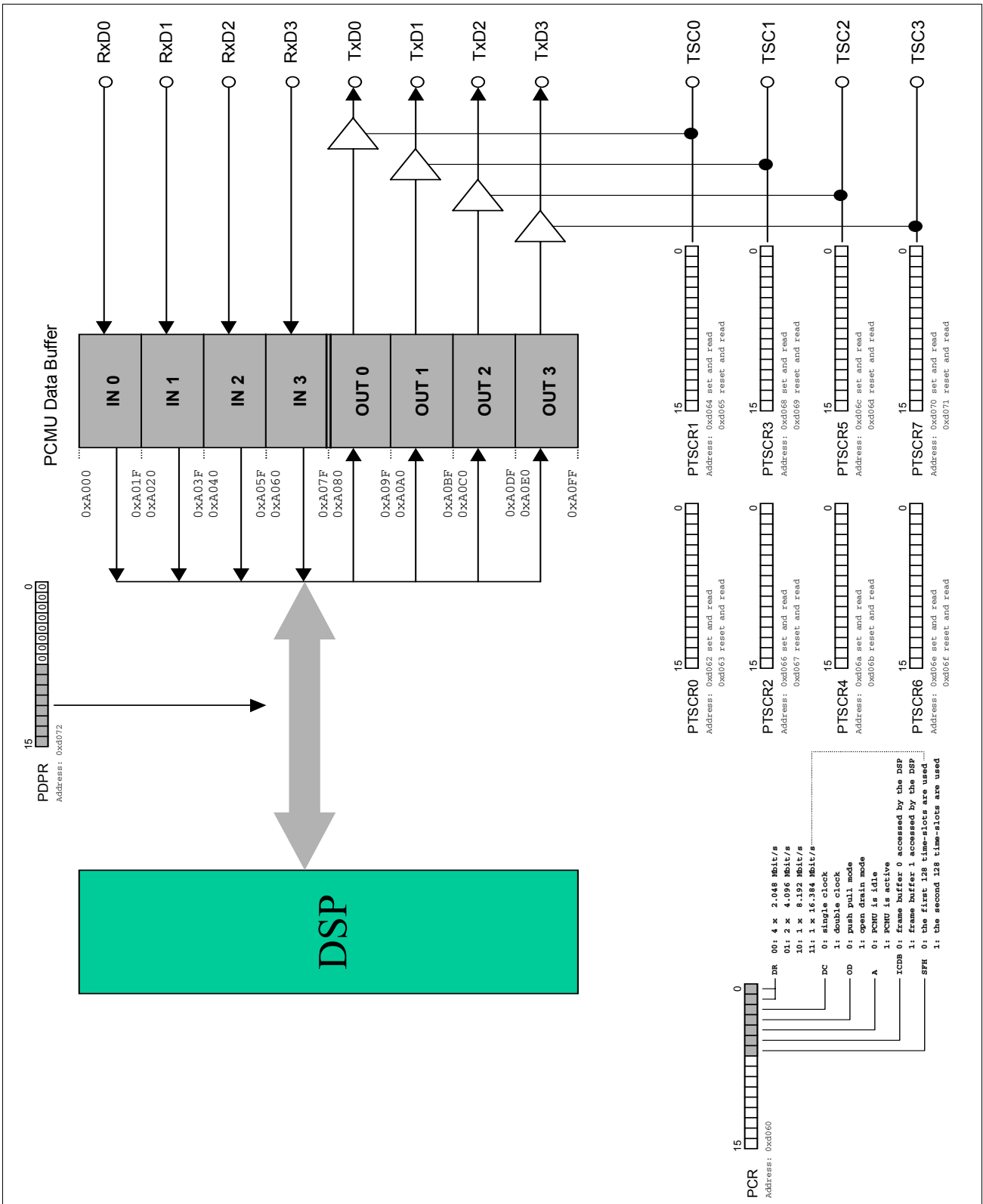


Figure 10-3 DELIC-LC PCM unit mode 0 ( 4 ports with 2 MBit/s)

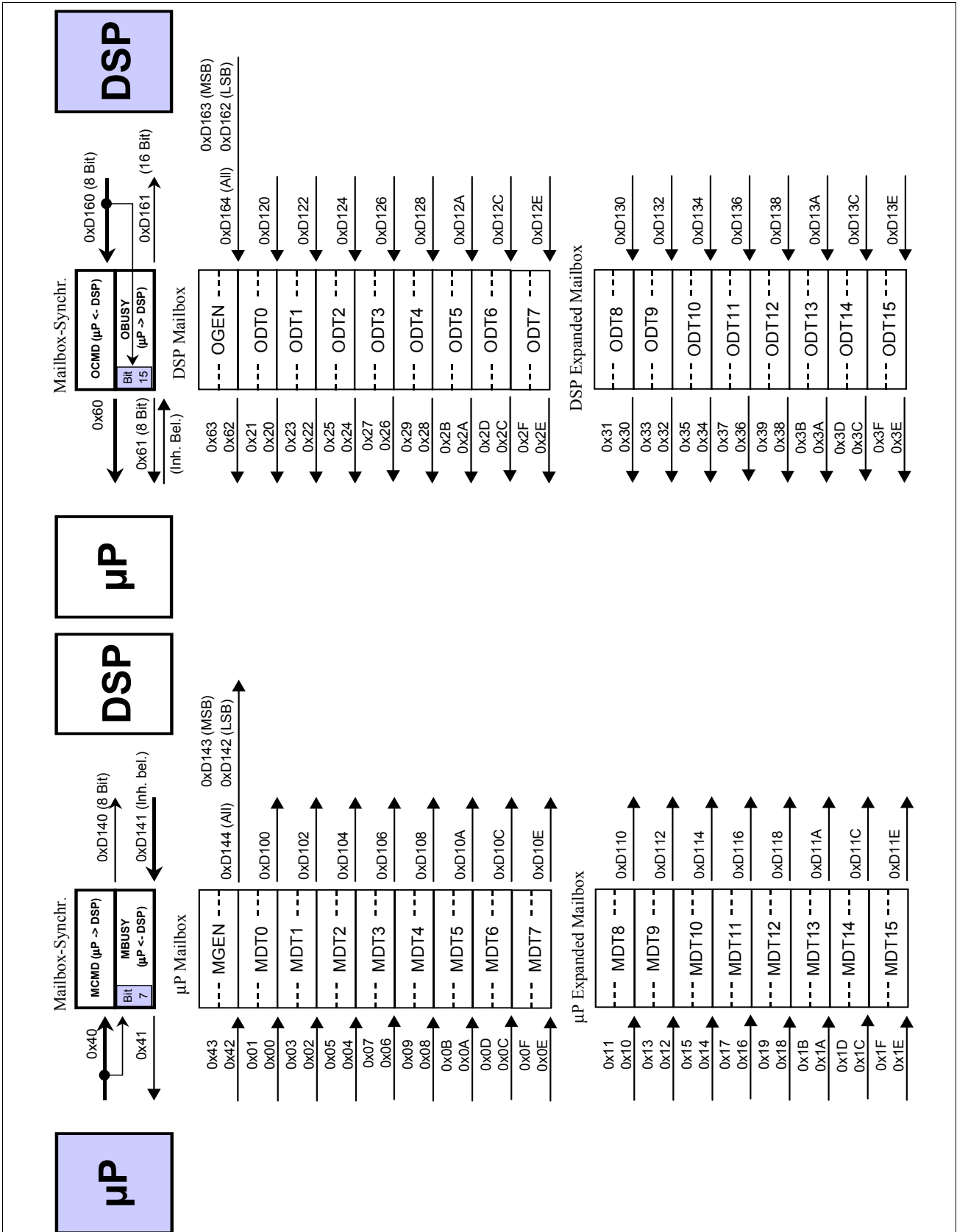


Figure 10-4 Command/ Indication handshake of general mailbox

## 11 Mailbox Protocol Description

The following chapters describe the way of communication between DELIC and an external  $\mu$ P via the mailbox. If no DMA is used the general mailbox contains 32 data registers. If DMA is used there are actually two different mailboxes. In this case the DMA mailbox consists of 16 data registers and the general mailbox also contains 16 data registers.

For more details especially initialization of the different units refer to the provided application notes.

*Note: As a reference, ELIC registers with similar functionality are appended in brackets.*

### 11.1 Mailbox Access

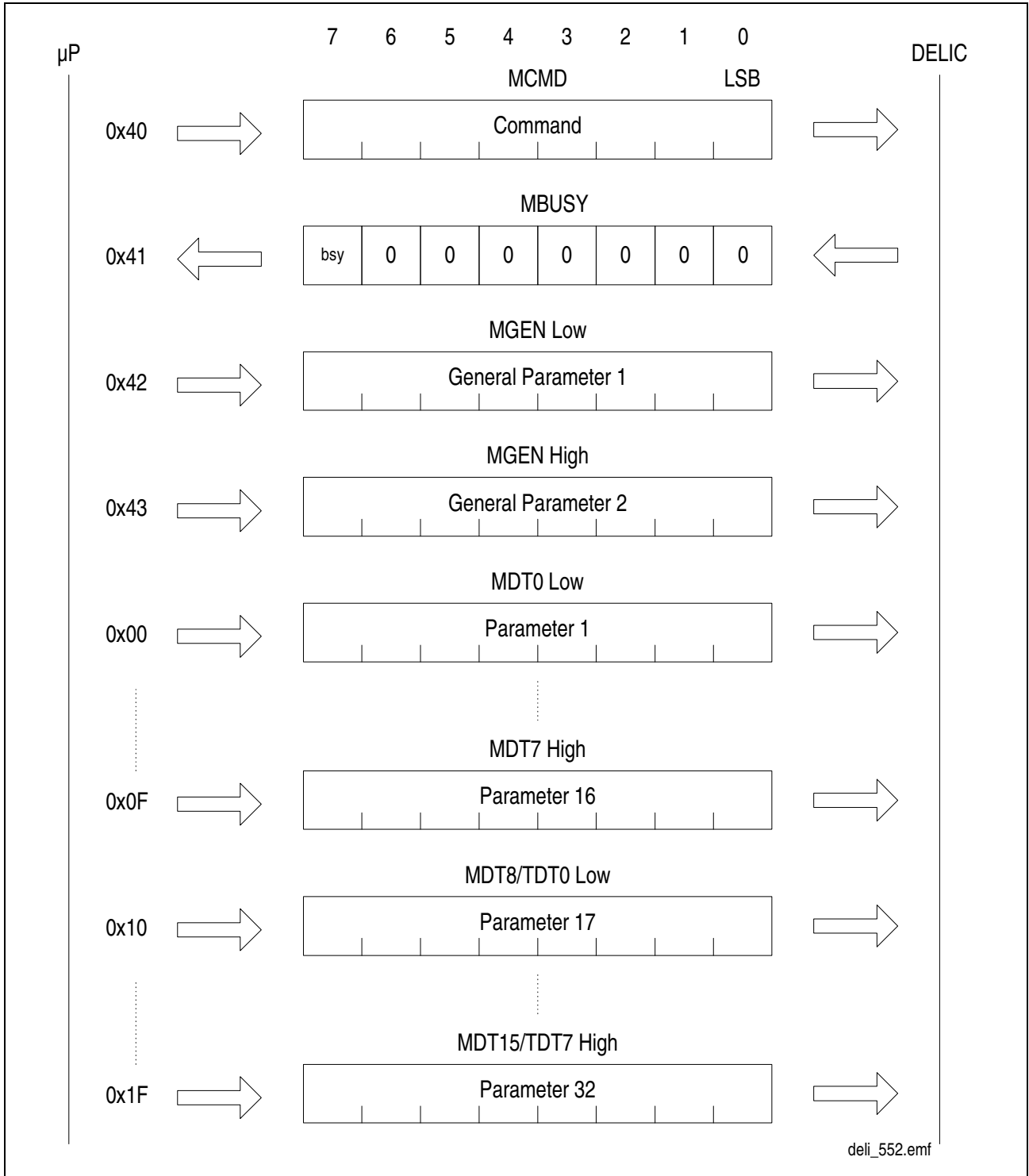
#### 11.1.1 Mailbox Access Transmit Direction ( $\mu$ P->DELIC)

The general mailbox for transmit direction (**Figure 11-1**) consists of 20 (36) registers. One register (MCMD) contains the command to be processed by the DELIC. Another register (MBUSY) just consists of a Busy Bit indicating whether the mailbox is free to be written to or not. Two other registers (MGEN Low and MGEN High) serve for general parameters. A block of 16 (32) parameter registers contains data. Writing to the command register sets the Busy Bit and thereby an interrupt in the DELIC. If the DELIC has processed the command it clears the Busy Bit to release the mailbox.

#### 11.1.2 Mailbox Access Receive Direction (DELIC-> $\mu$ P)

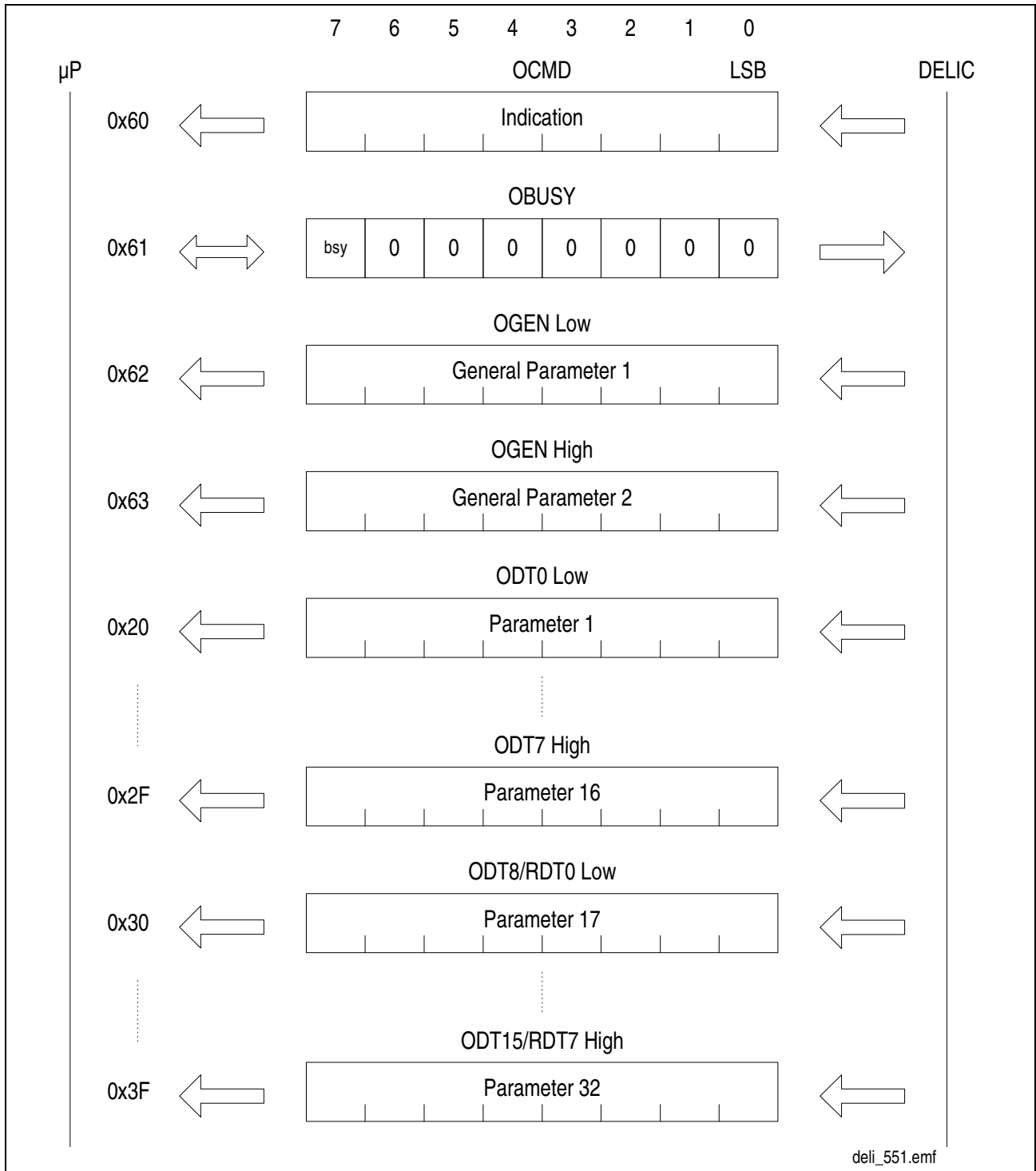
The mailbox for receive direction (**Figure 11-2**) consists of 20 (36) registers. One register (OCMD) contains the indication to be processed by the  $\mu$ P. Another register (OBUSY) just consists of a Busy Bit which has to be cleared by the  $\mu$ P after processing the indication in order to release the mailbox. Two other registers (OGEN Low and OGEN High) serve as general parameters. A block of 16 (32) parameter registers contains data associated with the indication.

**Mailbox Protocol Description**



**Figure 11-1 Transmit Mailbox Structure**

Mailbox Protocol Description



**Figure 11-2 Receive Mailbox Structure**

Both sides, μP and DELIC, use the same procedure to perform write accesses to the mailbox. If one side wants to put a message into the mailbox it has to check whether the mailbox is free. If the mailbox is free the parameters have to be written first than the command (**Figure 11-3**).

Mailbox Protocol Description

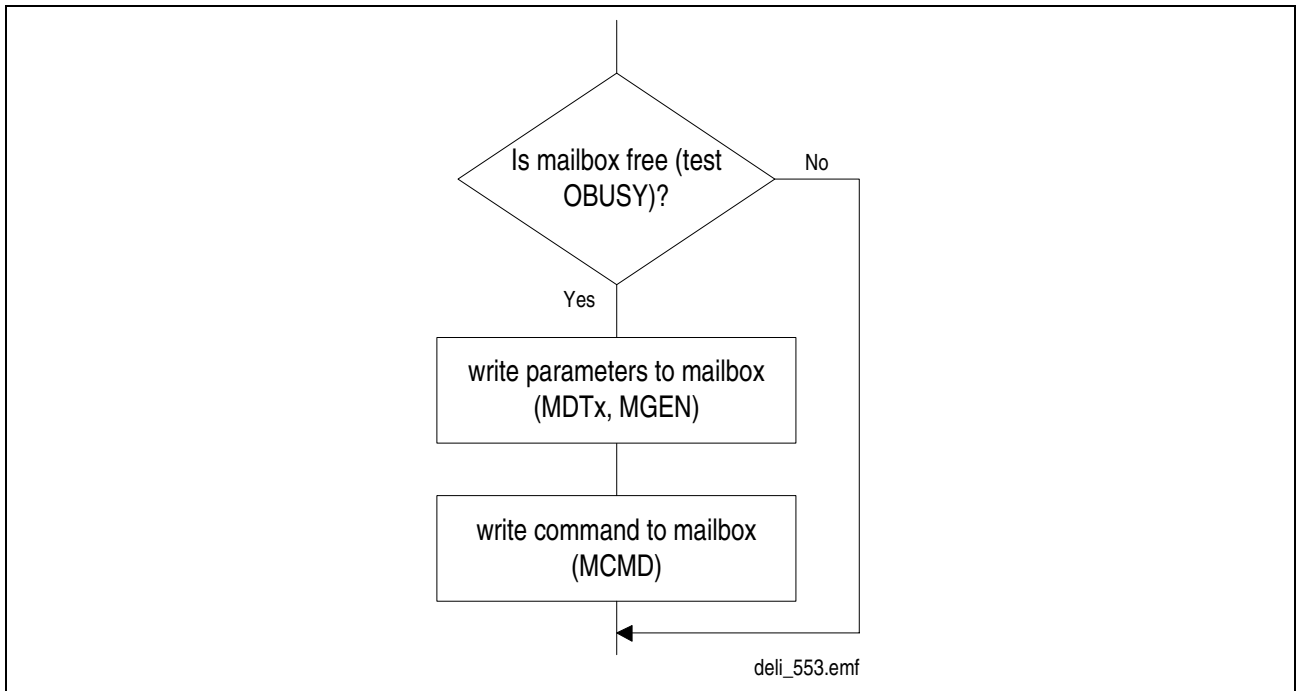


Figure 11-3 Flow Diagram: Mailbox Write Access

## 11.2 Subscriber Address (SAD) Interpretation

In this chapter SAD is used commonly for the subscriber address. There are two possibilities to interpret SAD

### 11.2.1 SAD as IOM-2 Port and Channel Number

The DELIC has two IOM-2 ports. The subscriber address has to be interpreted as follows.

bit	7	6	5	4	3	2	1	0
					SAD3	SAD2	SAD1	SAD0

**SAD3** IOM-2 port number (2.048 Mbit/s)

0 = IOM-2 port 0 is addressed

1 = IOM-2 port 1 is addressed

**SAD2..0** IOM-2 channel number (range: 0..7) (2.048 Mbit/s)

**SAD3..0** IOM-2 channel number (range: 0..15) (4.096 Mbit/s)

## Mailbox Protocol Description

### 11.2.2 SAD as IOM-2000 VIP and Channel Number

It is possible to connect up to 3 VIPs to the DELIC via the IOM-2000 interface. Each VIP contains up to 8 channels. The subscriber address has to be interpreted as follows.

bit	7	6	5	4	3	2	1	0
				SAD4	SAD3	SAD2	SAD1	SAD0

#### SAD4..3 VIP number

- 00 = VIP 0 is addressed
- 01 = VIP 1 is addressed
- 10 = VIP 2 is addressed
- 11 = reserved

#### SAD2..0 IOM-2000 channel number (range: 0..7)

### 11.3 Overview of Commands and Indications

The following tables give an overview of all commands and indications according name, code value, parameters and the referring page where the detailed description can be found.

#### 11.3.1 Commands and Indications for Boot Sequence

**Table 11-1 Boot Commands**

Name	MCMD	MDT0	MDT1..15	Page
Start Boot	0x55			11-13
Write Program Memory	0xA <sub>n</sub> n = Amount	Start Address	Data	11-13
Write Data Memory	0xE <sub>n</sub> n = Amount	Start Address	Data	11-14
Finish Boot	0x1F			11-13

**Mailbox Protocol Description**

**Table 11-2 Boot Indications**

<b>Name</b>	<b>OCMD</b>	<b>ODT0</b>	<b>Page</b>
Start Loading Program RAM	0x1F		11-15
Start Loading Data RAM	0xEF		11-15
Error	0b011100XX XXX=Error Code		11-15
Firmware Version Indication	0x00	Version Number	11-15

**11.3.2 General Commands and Indications**

**Table 11-3 General Commands**

<b>Name</b>	<b>OCMD</b>	<b>OGEN Low</b>	<b>OGEN High</b>	<b>ODTx</b>	<b>Page</b>
Write Register	0x01	Size		MDT0: Destination address MDTx: Register value(s)	11-16
Read Register	0x02	Size		MDT0: Start address for read	11-17

**Table 11-4 General Indications**

<b>Name</b>	<b>OCMD</b>	<b>OGEN Low</b>	<b>OGEN High</b>	<b>ODTx</b>	<b>Page</b>
Read Register	0x01	Size		Value(s) read from register	11-18



Mailbox Protocol Description

### 11.3.3 Commands and Indications for Configuration

**Table 11-5 Configuration Commands**

Name	MCMD	MGEN Low	MGEN High	MDTx	Page
IOM-2000 Reference Channel Select	0x05	IOM-2000 VIP and channel no.			11-20
IOM-2000 Delay Measurement	0x04	IOM-2000 VIP and channel no.			11-21
IOM-2000 VIP Channel Configuration	0x03			MDT0 H= TICCMR[31..24] MDT0 L= TICCMR[23..16] MDT1 H= TICCMR[15..8] MDT1 L= TICCMR[7..0]	11-22
GHDLC Configuration	0x14	GHDLC no.		MDT0 L = Mode Information MDT1 = Normal Address MDT2 = Broadcast Address	11-22
Finish Initialization	0x06				11-24

**Table 11-6 Configuration Indications**

Name	OCMD	OGEN Low	OGEN High	ODTx	Page
IOM-2000 Far-end Code Violation	0x07		Size	IOM-2000 VIP and channel no. FECV	11-24
IOM-2000 Delay	0x04	Delay Value			11-25
Finish VIP Channel Configuration <sup>1)</sup>	0x02	Delay Value		ODT0 H= TICSTR[31..24] ODT0 L= TICSTR[23..16] ODT1 H= TICSTR[15..8] ODT1 L= TICSTR[7..0]	11-26

<sup>1)</sup> *this indication is only sent if the read bit of TICCMR has been set in IOM-2000 VIP Channel Configuration Command*

Mailbox Protocol Description

### 11.3.4 Commands and Indications for IOM-2 C/I Channels

**Table 11-7 IOM-2 C/I Command**

Name	MCMD	MGEN High	MDTx	Page
Write C/I Value	0x23	Size	IOM-2 port and channel no. C/I value	11-27

**Table 11-8 IOM-2 C/I Indication**

Name	OCMD	OGEN High	ODTx	Page
Change Detected	0x41	Size	IOM-2 port and channel no. new C/I value	11-27

### 11.3.5 Commands and Indications for IOM-2 Monitor Channel

**Table 11-9 IOM-2 Monitor Commands**

Name	MCMD	MGEN Low	MGEN High	MDTx	Page
Search On	0x2B				11-29
Search Reset	0x2C				11-30
Monitor Reset	0x2D				11-30
Transmit Continuous	0x29	IOM-2 port and channel no.	Size	Data	11-30
Transmit	0x28	IOM-2 port and channel no.	Size	Data	11-30
Transmit&Receive/ Receive Only	0x2A	IOM-2 port and channel no.	Size	Data	11-30

**Mailbox Protocol Description**

**Table 11-10 IOM-2 Monitor Indications**

<b>Name</b>	<b>OCMD</b>	<b>OGEN Low</b>	<b>OGEN High</b>	<b>ODTx</b>	<b>Page</b>
Transfer Ready	0x53				11-31
Receive Continuous	0x52		Size	Data	11-31
Receive	0x51		Size	Data	11-31
Transmit Abort	0x55				11-32
Monitor Active	0x54	IOM-2 port and channel no.			11-32

**11.3.6 Commands and Indications for IOM-2000 C/I Channels**

**Table 11-11 IOM-2000 C/I Command**

<b>Name</b>	<b>MCMD</b>	<b>MGEN High</b>	<b>MDTx</b>	<b>Page</b>
Write C/I Value	0x0B	Size	IOM-2000 VIP and channel no. C/I value	11-38

**Table 11-12 IOM-2000 C/I Indication**

<b>Name</b>	<b>OCMD</b>	<b>OGEN High</b>	<b>ODTx</b>	<b>Page</b>
Change Detected	0x11	Size	IOM-2000 VIP and channel no. new C/I value	11-38

Mailbox Protocol Description

### 11.3.7 Commands and Indications for HDLC Channel

**Table 11-13 HDLC Commands**

Name	MCMD	MGEN Low	MGEN High	MDTx	Page
Reset	0x1F		Size	HDLC No. Receiver or Transmitter or both	11-40
Transmit	0x1D	HDLC No.	Size	Data	11-41
Transmit Continuous	0x1E	HDLC No.	Size	Data	11-41
Activation/ Deactivation	0x20		Size	HDLC No. and activation information	11-41

**Table 11-14 HDLC Indications**

Name	OCMD	OGEN Low	OGEN High	ODTx	Page
Error	0x34	HDLC No.	0x01	ODT0 L: Error Code	11-42
Transmit Ready	0x33	HDLC No.			11-43
Receive	0x31	HDLC No.	Size	Data	11-44
Receive Continuous	0x32	HDLC No.	Size	Data	11-44

### 11.3.8 Commands and Indications for GHDLC Channel

**Table 11-15 GHDLC Commands**

Name	MCMD	MGEN Low	MGEN High	MDTx	Page
Reset	0x15		Size	GHDLC No.	11-46
Transmit	0x11	GHDLC No.	Size	Data	11-47
Transmit Continuous	0x12	GHDLC No.	Size	Data	11-48

**Mailbox Protocol Description**

**Table 11-16 GHDLC Indications**

Name	OCMD	OGEN Low	OGEN High	ODTx	Page
Error	0x24	GHDLC No.	0x01	ODT0 L: Error Code	11-48
Fatal Error	0x25	GHDLC No.	0x02	ODT0: Status Word	11-48
Transmit Ready	0x23	GHDLC No.			11-49
Receive	0x21	GHDLC No.	Size	Data	11-49
Receive Continuous	0x22	GHDLC No.	Size	Data	11-49

### 11.3.9 Switching

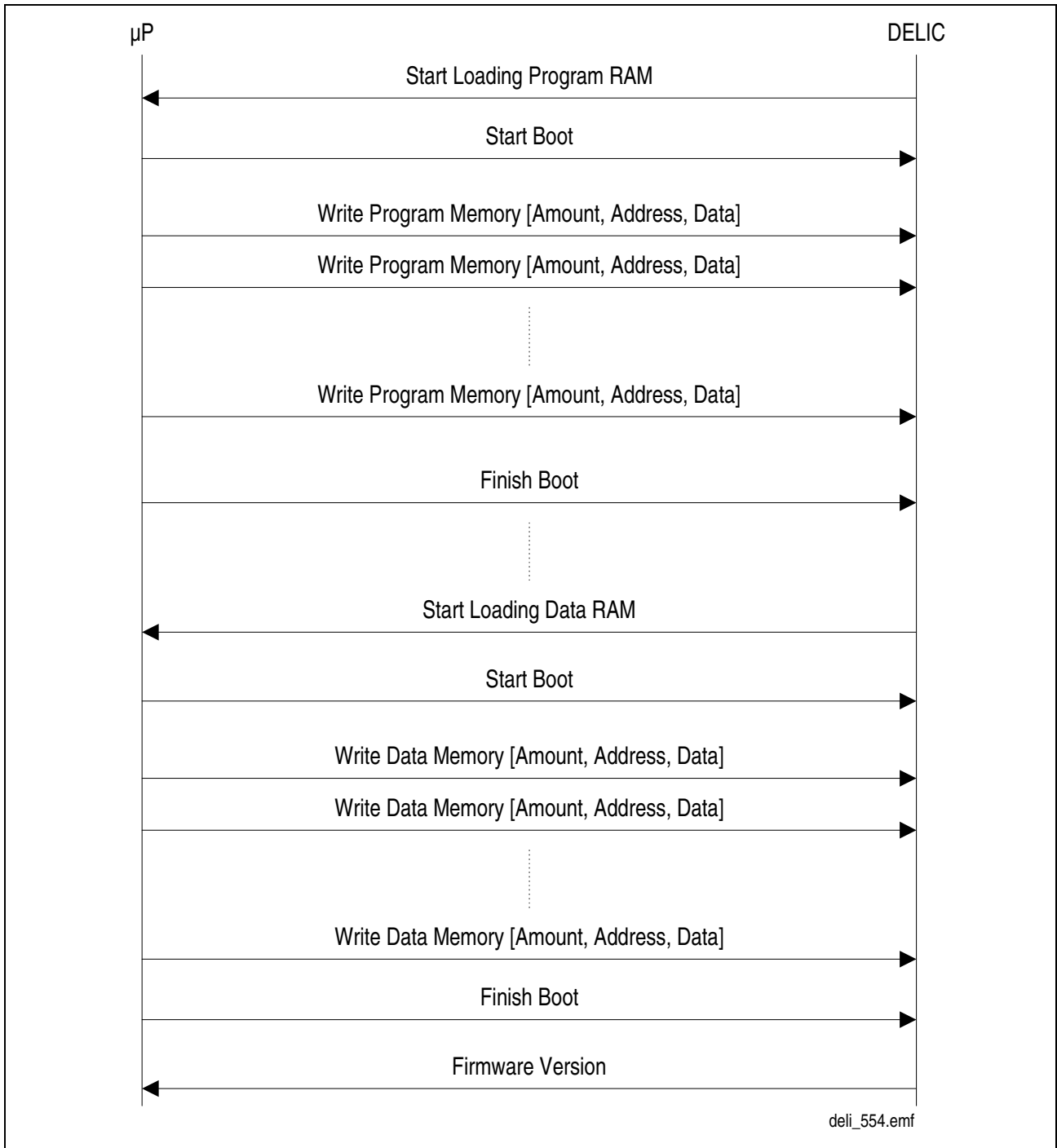
**Table 11-17 Switching Commands**

Name	MCMD	MGEN High	MDTx	Page
Connect	0x17	Size	Connection Identifier Source/Destination Interface Type Source Time Slot No. Destination Time Slot No.	11-50
Disconnect	0x18	Size	Connection Identifier	11-52

## 11.4 Boot Procedure

After reset the DELIC jumps into the boot routine and waits for downloading a program via the  $\mu$ P-Mailbox. **Figure 11-4** shows the handshake.

**Mailbox Protocol Description**



**Figure 11-4 Boot Sequence**

The range for Amount must be between 1 and 15. In case of an verification failure or if an amount of zero has been used the Start Boot Command has to be issued again before continuing the download. After issuing Start Boot any invalid command is ignored.

**Mailbox Protocol Description**

### 11.4.1 Boot Commands

After reset the DELIC waits for downloading a program from the processor via the mailbox indicated by the Start Loading Program RAM Indication (0x1F) (**Figure 11-4**).

#### 11.4.1.1 Start Boot Command (0x55)

This command has to be issued before using the Write Program Memory Command (0xA<sub>n</sub>) and Write Data Memory Command (0xE<sub>n</sub>) directly after receiving the Start Loading Program RAM Indication (0x1F) or the Start Loading Data RAM Indication (0xEF).

<b>Mailbox Register (MCMD)</b>								μP-write	Address: 40 <sub>H</sub>
bit	7	6	5	4	3	2	1	0	
	0	1	0	1	0	1	0	1	

#### 11.4.1.2 Finish Boot Command (0x1F)

First usage of this command finishes filling of the program memory. The second usage finishes filling of the data memory and let the DELIC wait for initialization commands.

<b>Mailbox Register (MCMD)</b>								μP-write	Address: 40 <sub>H</sub>
bit	7	6	5	4	3	2	1	0	
	0	0	0	1	1	1	1	1	

#### 11.4.1.3 Write Program Memory Command (0xA<sub>n</sub>)

After issuing the Start Boot Command (0x55) the first time the program memory can be filled with this command. The filling has to be finished with the Finish Boot Command (0x1F).

<b>Mailbox Register (MCMD)</b>								μP-write	Address: 40 <sub>H</sub>
bit	7	6	5	4	3	2	1	0	
	1	0	1	0	N3	N2	N1	N0	

**N3..0** Amount of 16-bit data words within MDT1 to MDT15 (range: 1..15)





Mailbox Protocol Description

## 11.4.2 Boot Indications

### 11.4.2.1 Error Indication (0b011100XX)

Mailbox Register (OCMD)		μP-read						Address: 60 <sub>H</sub>	
bit	7	6	5	4	3	2	1	0	
	0	1	1	1	0	0	EN1	EN0	

#### EN1..0 Error Code

00 = Wrong command error

01 = Data verification failure

10 = Incorrect amount of data (zero size)

*Note: After an zero size error and after a verification failure the Start Boot Command (0x55) has to be issued again.*

### 11.4.2.2 Start Loading Program RAM Indication (0x1F)

This indication is issued after reset to inform the processor that program download can begin.

Mailbox Register (OCMD)		μP-read						Address: 60 <sub>H</sub>	
bit	7	6	5	4	3	2	1	0	
	0	0	0	1	1	1	1	1	

### 11.4.2.3 Start Loading Data RAM Indication (0xEF)

This indication is issued after issuing the Finish Boot Command (0x1F) the first time to inform the processor that data download can begin.

Mailbox Register (OCMD)		μP-read						Address: 60 <sub>H</sub>	
bit	7	6	5	4	3	2	1	0	
	1	1	1	0	1	1	1	1	

### 11.4.2.4 Firmware Version Indication (0x00)

This indication is sent after the last Finish Boot Command (0x1F) to confirm the correct program and daa boot.

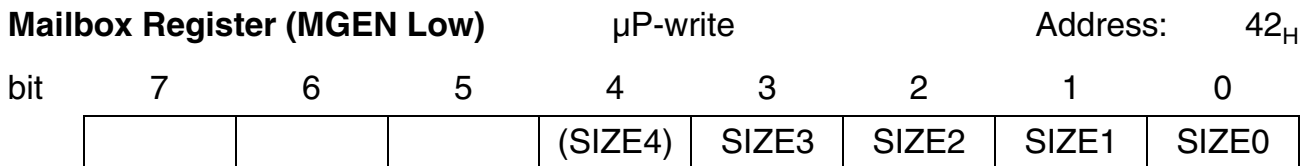




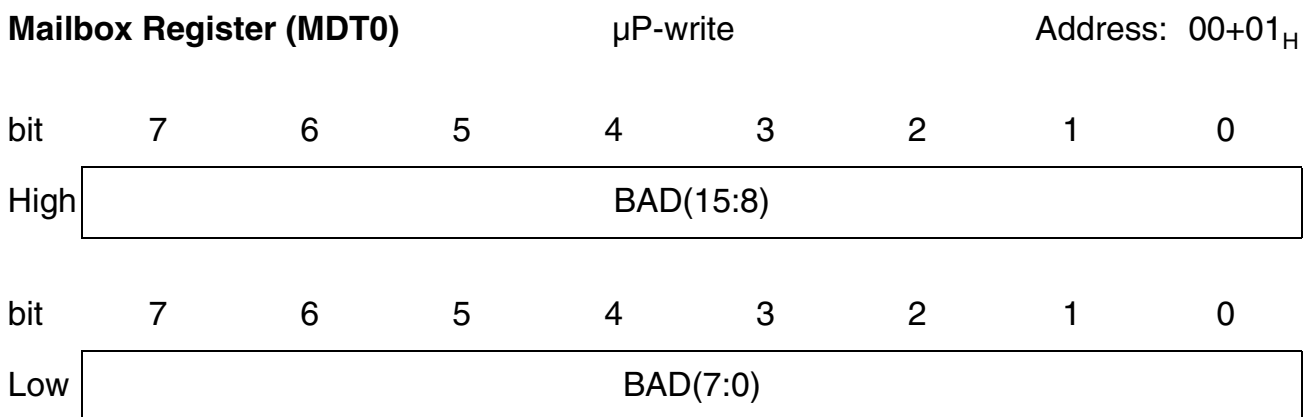
## Mailbox Protocol Description

Parameter:

- Number of values to be read
- Base address for read



**SIZE4..0** Amount of 16-bit values to be read from the base address (range: 1..8(16))



**BAD15..0** Base address from which register value is to be read

### 11.5.2 General Indication

#### 11.5.2.1 Read Register Indication (0x01)

The indication returns the values read from DELIC's register(s) as specified in the Read Register Command (0x02).

## Mailbox Protocol Description

Parameter:

- Number of read values
- Read register values

<b>Mailbox Register (OGEN Low)</b>	μP-read	Address:	62 <sub>H</sub>					
bit	15	14	13	12	11	10	9	8
				(SIZE4)	SIZE3	SIZE2	SIZE1	SIZE0

**SIZE4..0** Number of valid 16-bit values that have been read (range: 1..8(16))

<b>Mailbox Register (ODT0..7(14))</b>	μP-read							
bit	7	6	5	4	3	2	1	0
High	RRV(15:8)							
bit	7	6	5	4	3	2	1	0
Low	RRV(7:0)							

- RRV15..0** ODT0: Read Register Value from Base Address BAD  
 ODT1: Read Register Value from Base Address BAD+1  
 ..  
 ODT7(15): Read Register Value from Base Address BAD+7(15)

### 11.6 Initialization/Configuration

After issuing the last Finish Boot Command (0x1F) the DELIC waits for the Finish Initialization Command (0x06) before it starts all tasks. Here the device can be configured according the application requirements.

Mailbox Protocol Description

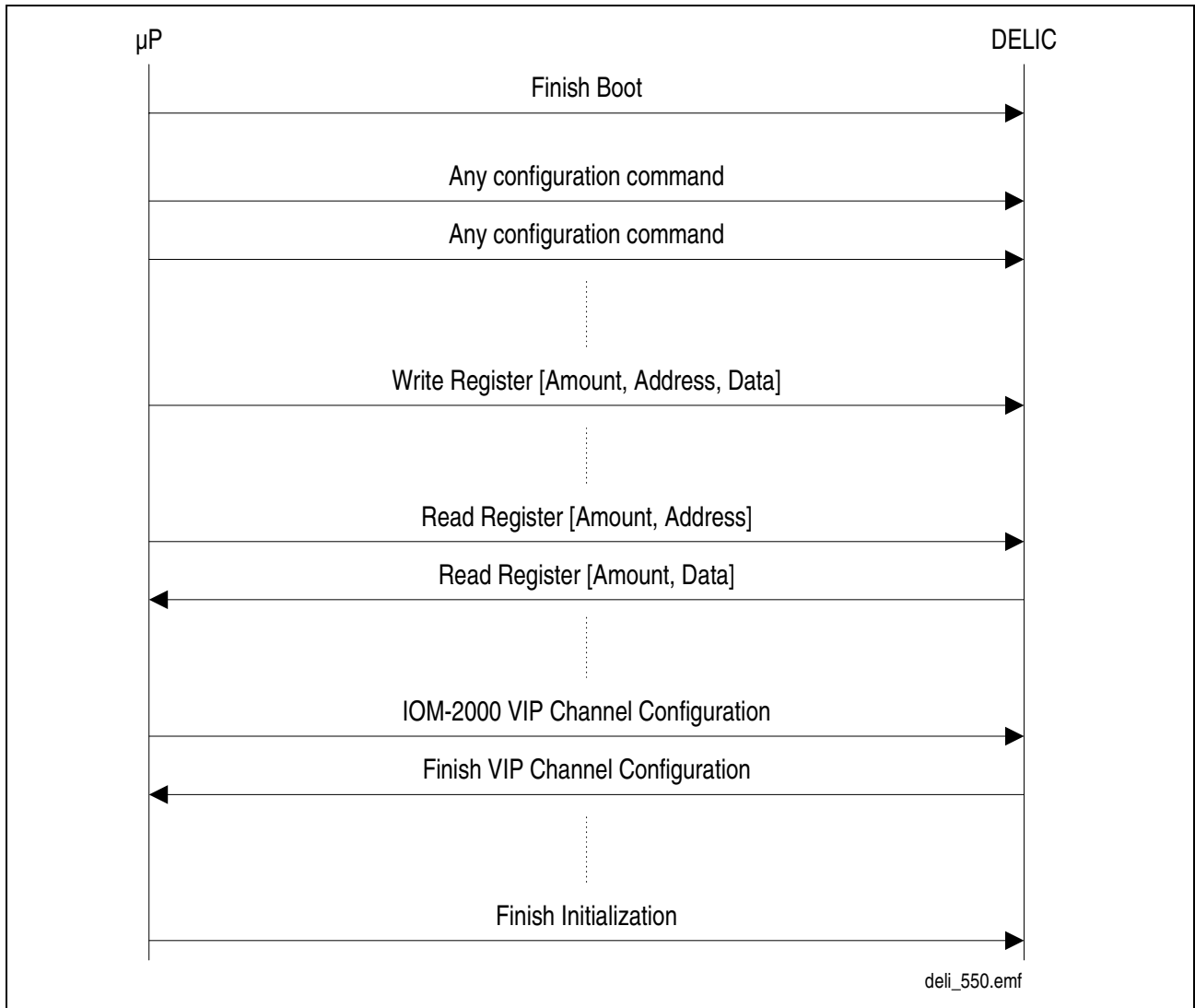


Figure 11-5 Initialization Flow Diagram: Configuration Example

## 11.6.1 Configuration Commands

### 11.6.1.1 IOM-2000 Reference Channel Select Command (0x05)

The command selects the VIP channel which provides the reference clock.

Parameter:

- IOM-2000 VIP and channel number
- External reference source

**Mailbox Protocol Description**

<b>Mailbox Register (MGEN Low)</b>			μP-write				Address: 42 <sub>H</sub>	
bit	7	6	5	4	3	2	1	0
			EXREF	SAD4	SAD3	SAD2	SAD1	SAD0

**SAD4..0** Subscriber Address i.e. IOM-2000 VIP and channel number

**EXREF** External Reference Clock Selection (LT-T)

0 = No external reference clock source. Reference clock is generated from internal VIP<sub>n</sub> channel specified in REFCLK(2:0) and passed on via REFCLK pin to VIP<sub>n-1</sub> or directly to DELIC.

1 = Reference clock is generated from external source via pin INCLK and passed on via REFCLK pin to VIP<sub>n-1</sub> or directly to DELIC. The internal reference clock generation logic is disabled.

*Note: VIP<sub>0</sub> has the highest priority in terms of clock selection*

**Note: This command is only applicable for channels in LT-T Mode**

### 11.6.1.2 IOM-2000 Delay Measurement Command (0x04)

This command selects the VIP channel in which the line delay is to be measured. The delay is reported with the IOM-2000 Delay Indication (0x04).

Parameter:

- IOM-2000 VIP and channel number

<b>Mailbox Register (MGEN Low)</b>			μP-write				Address: 42 <sub>H</sub>	
bit	7	6	5	4	3	2	1	0
				SAD4	SAD3	SAD2	SAD1	SAD0

**SAD4..0** Subscriber Address i.e. IOM-2000 VIP and channel number

**Note: This command is only applicable for channels in U<sub>PN</sub> Mode**

**Mailbox Protocol Description**

### 11.6.1.3 IOM-2000 VIP Channel Configuration Command (0x03)

The command initializes or re configures the channel register in the TRANSIU for the specified VIP channel.

Parameter:

- Initialization values of VIP Channel Command Register TICCR (4 bytes including VIP and channel number)

<b>Mailbox Register (MDT0 High)</b>			μP-write				Address: 01 <sub>H</sub>	
bit	15	14	13	12	11	10	9	8
	x	VIPADR(1:0)		CHADR(2:0)		FIL	EXLP	

<b>Mailbox Register (MDT0 Low)</b>			μP-write				Address: 00 <sub>H</sub>	
bit	7	6	5	4	3	2	1	0
	PLLS	PD	DHEN	x	x	PDOWN	LOOP	TX_EN

<b>Mailbox Register (MDT1 High)</b>			μP-write				Address: 03 <sub>H</sub>	
bit	15	14	13	12	11	10	9	8
	PLLINT	AAC(1:0)		BBC(1:0)		OWIN(2:0)		

<b>Mailbox Register (MDT1 Low)</b>			μP-write				Address: 02 <sub>H</sub>	
bit	7	6	5	4	3	2	1	0
	MF_EN	MODE(2:0)		MOSEL(1:0)		RD	WR	

*Note: For the meaning of the bits, refer to "TRANSIU Initialization Channel Command Register" on page 6-15. 'x'=unused*

### 11.6.1.4 GHDLIC Configuration Command (0x14)

<b>Mailbox Register (MGEN Low)</b>			μP-write				Address: 42 <sub>H</sub>	
bit	7	6	5	4	3	2	1	0
							GCA1	GCA0

#### **GCA1..0** GHDLIC Channel Address

00 = GHDLIC Channel 0 (all other combinations are reserved)



### Mailbox Protocol Description

<b>Mailbox Register (MDT0 Low)</b>			μP-write				Address: 00 <sub>H</sub>	
bit	7	6	5	4	3	2	1	0
							ADM	AUTO

**AUTO**    Auto Mode Enable  
           0 = Disable Auto Mode  
           1 = Enable Auto Mode

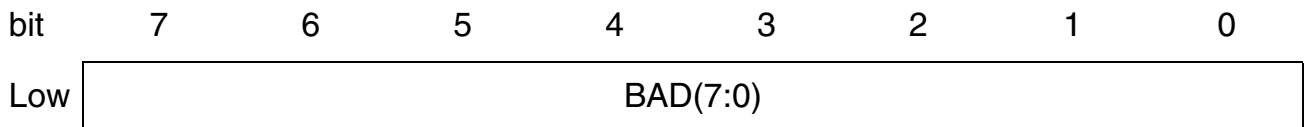
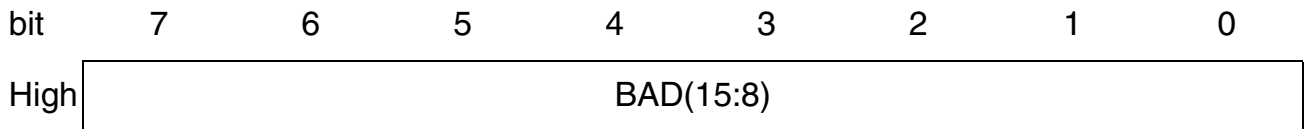
**ADM**     Address Mode  
           0 = 8-bit address mode  
           1 = 16-bit address mode

<b>Mailbox Register (MDT1)</b>			μP-write				Address: 02+03 <sub>H</sub>	
bit	7	6	5	4	3	2	1	0
High	AAD(15:8)							
bit	7	6	5	4	3	2	1	0
Low	AAD(7:0)							

**AAD15..0**    Address for address recognition (**ELIC reg. RAL1 and RAH1**)  
*Note: If ADM is set to 0 (8-bit address) only the low part is considered*

## Mailbox Protocol Description

**Mailbox Register (MDT2)**                       $\mu$ P-write                      Address: 04+05<sub>H</sub>



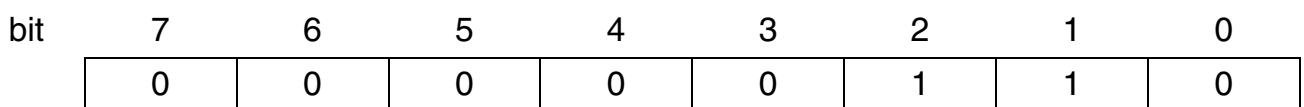
**BAD15..0** Broadcast address (**ELIC reg. RAL2 and RAH2**)

*Note: If ADM is set to 0 (8-bit address) only the low part is considered*

### 11.6.1.5 Finish Initialization Command (0x06)

This command has to be issued after downloading program and data and configuring the DELIC correctly. It forces the DELIC to start with all tasks.

**Mailbox Register (MCMD)**                       $\mu$ P-write                      Address: 40<sub>H</sub>



## 11.6.2 Configuration Indications

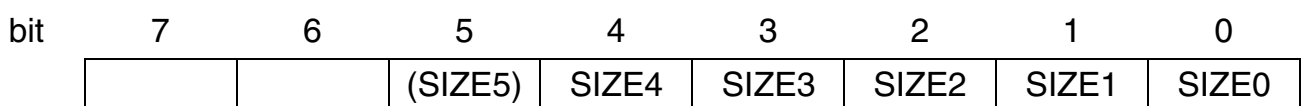
### 11.6.2.1 IOM-2000 Far-end Code Violation Indication (0x07)

This indication reports a far-end code violation (FECV) in the specified VIP channel.

Parameter:

- IOM-2000 VIP and channel number

**Mailbox Register (OGEN High)**                       $\mu$ P-read                      Address: 63<sub>H</sub>



**SIZE5..0** Amount of entries in ODT0..7(15) (range: 1..16(32))

## Mailbox Protocol Description

For every entry (one byte per entry):

### Mailbox Register (ODT0..7(15)) μP-read

bit	7	6	5	4	3	2	1	0
	FECV			SAD4	SAD3	SAD2	SAD1	SAD0

**SAD4..0** Subscriber Address i.e. IOM-2000 VIP and channel number

**FECV** Far-end Code Violation

0 = No far-end code violation detected

1 = Far-end code violation (bit error) detected

### 11.6.2.2 IOM-2000 Delay Indication (0x04)

This indication returns the measured line delay value of an  $U_{PN}$  channel. This indication is the answer to the IOM-2000 Delay Measurement Command (0x04).

Parameter:

- IOM-2000 VIP and channel number
- Delay Value

### Mailbox Register (OGEN High) μP-read Address: 63<sub>H</sub>

bit	15	14	13	12	11	10	9	8
				SAD4	SAD3	SAD2	SAD1	SAD0

**SAD4..0** Subscriber Address i.e. IOM-2000 VIP and channel number

### Mailbox Register (OGEN Low) μP-read Address: 62<sub>H</sub>

bit	7	6	5	4	3	2	1	0
	DV7	DV6	DV5	DV4	DV3	DV2	DV1	DV0

**DV7..0** Delay Value

**Note: This command is only applicable for channels in  $U_{PN}$  Mode**

**Mailbox Protocol Description**

### 11.6.2.3 Finish VIP Channel Configuration Indication (0x02)

After issuing the IOM-2000 VIP Channel Configuration Command (0x03) with set read bit the DELIC confirms the command by this indication.

**Mailbox Register (ODT0 High)**                       $\mu$ P-read                      Address:    21<sub>H</sub>

bit	15	14	13	12	11	10	9	8
	x	VIPADR(1:0)		CHADR(2:0)		FIL	EXLP	

**Mailbox Register (ODT0 Low)**                       $\mu$ P-read                      Address:    20<sub>H</sub>

bit	7	6	5	4	3	2	1	0
	PLLS	PD	DHEN	x	x	PDOWN	LOOP	TX_EN

**Mailbox Register (ODT1 High)**                       $\mu$ P-read                      Address:    23<sub>H</sub>

bit	15	14	13	12	11	10	9	8
	PLLINT	AAC(1:0)		BBC(1:0)		OWIN(2:0)		

**Mailbox Register (ODT1 Low)**                       $\mu$ P-read                      Address:    22<sub>H</sub>

bit	7	6	5	4	3	2	1	0
	MF_EN	MODE(2:0)		MOSEL(1:0)		RD	WR	

*Note: For the meaning of the bits, refer to "TRANSIU Initialization Channel Status Register (TICSTR)" on page 6-20. 'x'=unused*

## 11.7 IOM-2 C/I Handling

Purpose of the C/I handler is to transmit C/I values and to receive C/I value changes on the C/I channels. The C/I values itself are not interpreted.

A new C/I value will be considered if it is detected for at least two consecutive frames (double last look).

The DELIC considers all channels affected by at least one C/I value change. After detecting the first change the DELIC reports it to the  $\mu$ P. As soon as the mailbox is free the DELIC sends the current C/I values of the affected channels, together with their addresses, to the  $\mu$ P. If the  $\mu$ P is fast enough to serve the interrupts every change will be reported. But if the  $\mu$ P is not as fast preceding changes according to the same channel will be lost (**Figure 11-6**).

### 11.7.1 IOM-2 C/I Command

The following command is sent from the  $\mu$ P to the DELIC.

#### 11.7.1.1 Write C/I Value Command (0x23)

(ELIC Reg.: MACR, MADR, MAAR)

This command provides the DELIC with new C/I values to be sent on the specified channels. It can be issued any time.

Parameter:

- Amount of following entries

For every entry:

- IOM-2 port and channel number
- C/I value

See "Common Mailbox Parameter Structure" on page 11-27

### 11.7.2 IOM-2 C/I Indication

The following indication is sent from the DELIC to the  $\mu$ P.

#### 11.7.2.1 Change Detected Indication (0x41)

If at least one change is detected this indication will be issued. The amount of entries depends on the mailbox size and the amount of used IOM-2 channels. Maximum values of 8 entries (if DMA is used) or 16 (if DMA is not used) are possible.

Parameter:

- Amount of following entries

For every entry:

- IOM-2 port and channel number
- C/I value

See "Common Mailbox Parameter Structure" on page 11-27

### 11.7.3 Common Mailbox Parameter Structure

Both command and indication have the same structure.

### Mailbox Protocol Description

**Mailbox Register (MGEN High)**       $\mu$ P-write      Address:    43<sub>H</sub>

**Mailbox Register (OGEN High)**       $\mu$ P-read      Address:    63<sub>H</sub>

bit	7	6	5	4	3	2	1	0
			(SIZE4)	SIZE3	SIZE2	SIZE1	SIZE0	

**SIZE4..0**    Amount of valid entries in MDT0..7(15) or ODT0..7(15) (range: 1..8(16))

For every entry (two bytes per entry):

**Mailbox Register (MDT0..7(15) Low)**     $\mu$ P-write

**Mailbox Register (ODT0..7(15) Low)**     $\mu$ P-read

bit	7	6	5	4	3	2	1	0
				SAD3	SAD2	SAD1	SAD0	

**SAD3..0**    Subscriber Address i.e. IOM-2 port and channel number

**Mailbox Register (MDT0..7(15) High)**     $\mu$ P-write

**Mailbox Register (ODT0..7(15) High)**     $\mu$ P-read

bit	7	6	5	4	3	2	1	0
			CI5	CI4	CI3	CI2	CI1	CI0

**CI5..0**      6-bit C/I value

**CI3..0**      4-bit C/I value

#### 11.7.4    Flow Diagram

The following diagram describes the way of handling C/I value changes. It is assumed that the mailbox is not free as the first change was detected. After releasing the mailbox by the  $\mu$ P the DELIC sends the C/I values and their IOM-2 channel addresses. The preceding change on channel 6 will not be reported.

Mailbox Protocol Description

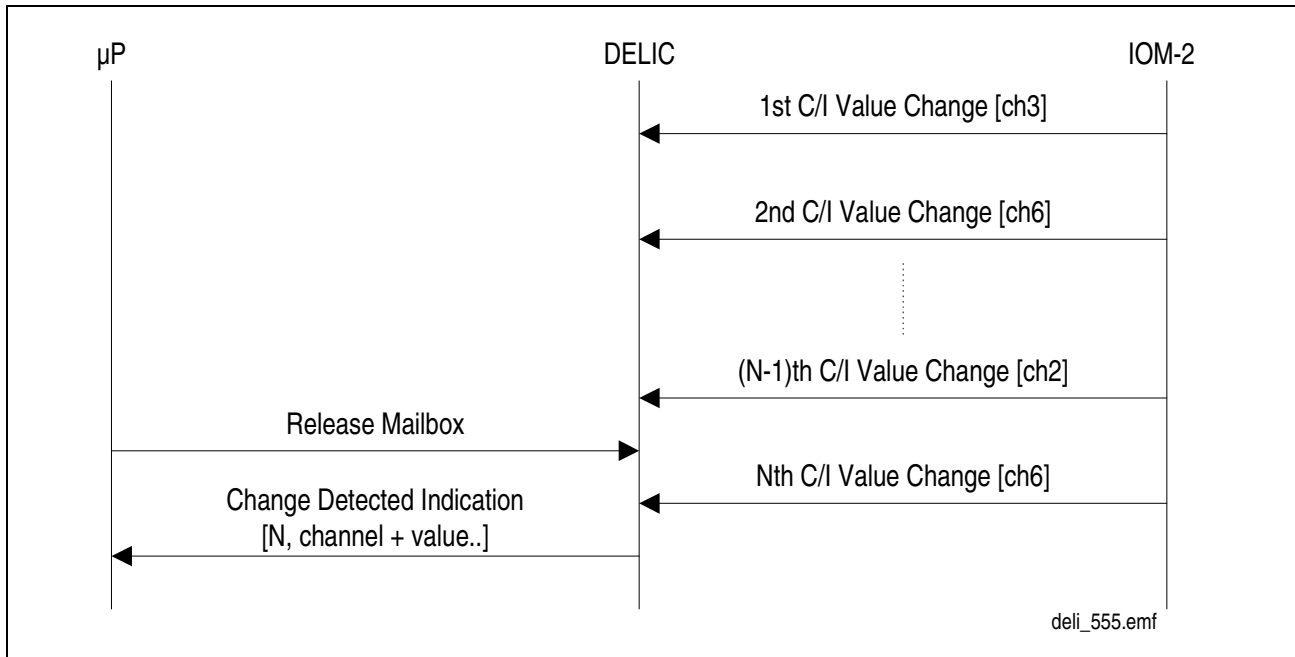


Figure 11-6 C/I Flow Diagram: Receiving C/I Value Changes

## 11.8 IOM-2 Monitor Handling

According to the monitor channels the DELIC has to manage the data exchange between IOMU and mailbox. Only one of all possible channels is served at the same time. The main task of the DELIC is to transform an acknowledged block stream from and to the mailbox to an acknowledged byte stream from and to the IOMU. If the  $\mu P$  issues a command it has to wait for the related indication before the next command can be issued.

### 11.8.1 IOM-2 Monitor Commands

The following commands are sent from the  $\mu P$  to the DELIC:

#### 11.8.1.1 Search On Command (0x2B)

(ELIC bit: MFSO)

By this command the DELIC is instructed to search for an active monitor channel. After finding an active channel the search mechanism is stopped and the event is reported with Monitor Active Indication. This command can be issued any time. If there is a transmission command in progress the Search Mode is started after transmission was terminated.

### 11.8.1.2 Search Reset Command (0x2C)

(ELIC bit: OMSO)

By this command the Search Mode is stopped. This command can be issued any time. It will not stop a running transmission.

### 11.8.1.3 Monitor Reset Command (0x2D)

(ELIC bit: MFFR)

By this command the execution of the current transfer command is stopped immediately.

### 11.8.1.4 Transmit Continuous Command (0x29)

(ELIC bits: MFT1..0)

This command starts transmission of one or more blocks. The Search Mode is suspended until transmission was terminated. After acknowledging the last sent byte Transfer Ready is issued to ask for a new block. The size of the blocks is variable. The last block is sent with Transmit or Transmit & Receive. Only with the first appearance of this command the first parameter will be considered.

Parameter:

- IOM-2 port and channel number
- Size of data block
- Data block

See "Common Mailbox Parameter Structure" on page 11-32

### 11.8.1.5 Transmit Command (0x28)

(ELIC bits: MFT1..0)

This command starts transmission of a single/last block. The Search Mode is suspended until transmission was terminated. After transmission was completed (rising edge of MR) Transfer Ready is issued. If this command follows after Transmit Continuous the first parameter will be ignored.

Parameter:

- IOM-2 port and channel number
- Size of data block
- Data block

See "Common Mailbox Parameter Structure" on page 11-32

### 11.8.1.6 Transmit&Receive/Receive Only Command (0x2A)

(ELIC bits: MFT1..0)

This command starts transmission of a single/last block and waits for reception on the same channel. The Search Mode is suspended during transmission and reception. If this



## Mailbox Protocol Description

command follows after Transmit Continuous the first parameter will be ignored. Received blocks are reported with Receive and/or Receive Continuous. If size of data is zero the command has the meaning of Receive Only i.e. reception on the specified channel is activated.

Parameter:

- IOM-2 port and channel number
- Size of data block
- Data block

See "Common Mailbox Parameter Structure" on page 11-32

### 11.8.2 IOM-2 Monitor Indications

The following indications are sent from the DELIC to the  $\mu$ P.

#### 11.8.2.1 Transfer Ready Indication (0x53)

(ELIC bit: MFFI)

Indicates end of Transmit or end of Transmit Broadcast or asks for a new block after Transmit Continuous.

#### 11.8.2.2 Receive Continuous Indication (0x52)

(ELIC bit: MFFI)

This indication reports one of more received blocks to the  $\mu$ P. The reception has not been terminated yet.

Parameter:

- Size of data block
- Data block

<b>Mailbox Register (OGEN High)</b>		$\mu$ P-read						Address:	63 <sub>H</sub>
bit	7	6	5	4	3	2	1	0	
			(SIZE5)	SIZE4	SIZE3	SIZE2	SIZE1	SIZE0	

**SIZE5..0** Amount of following data bytes within ODT0..7(15) (range: 1..16(32))

#### 11.8.2.3 Receive Indication (0x51)

(ELIC bits: MFFI, MFFE)

The only/last received block is reported to the  $\mu$ P.

**Mailbox Protocol Description**

Parameter:

- Size of data block
- Data block

<b>Mailbox Register (OGEN High)</b>		μP-read		Address:		63 <sub>H</sub>		
bit	7	6	5	4	3	2	1	0
			(SIZE5)	SIZE4	SIZE3	SIZE2	SIZE1	SIZE0

**SIZE5..0** Amount of following data bytes within ODT0..7(15) (range: 1..16(32))

**11.8.2.4 Transmit Abort Indication (0x55)**

(ELIC bit: MFAB)

The remote receiver aborted reception of a locally issued Transmit Command.

**11.8.2.5 Monitor Active Indication (0x54)**

(ELIC bit: MAC)

Informs the μP that an active monitor channel has been found. The μP may issues Receive Only to activate the receiver.

Parameter:

- IOM-2 port and channel number

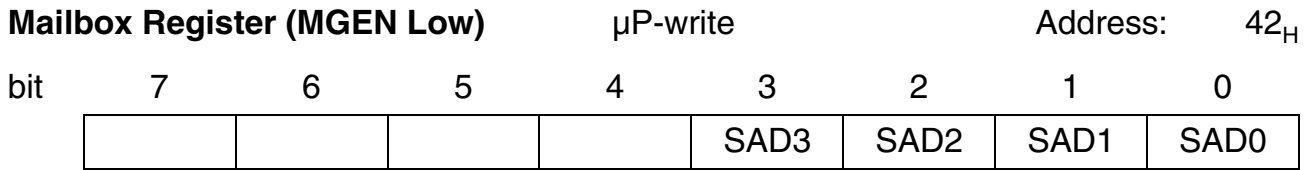
<b>Mailbox Register (OGEN Low)</b>		μP-read		Address:		62 <sub>H</sub>		
Reset value: unchanged								
bit	7	6	5	4	3	2	1	0
					SAD3	SAD2	SAD1	SAD0

**SAD3..0** Subscriber Address i.e. IOM-2 port and channel number (up to 16 channels)

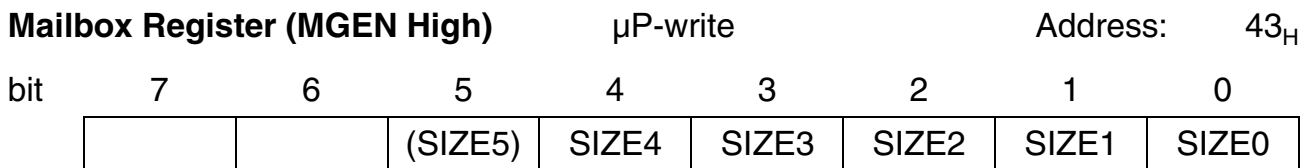
**11.8.3 Common Mailbox Parameter Structure**

This structure is valid for Transmit Continuous Command (0x29), Transmit Command (0x28), Transmit&Receive/Receive Only Command (0x2A).

### Mailbox Protocol Description



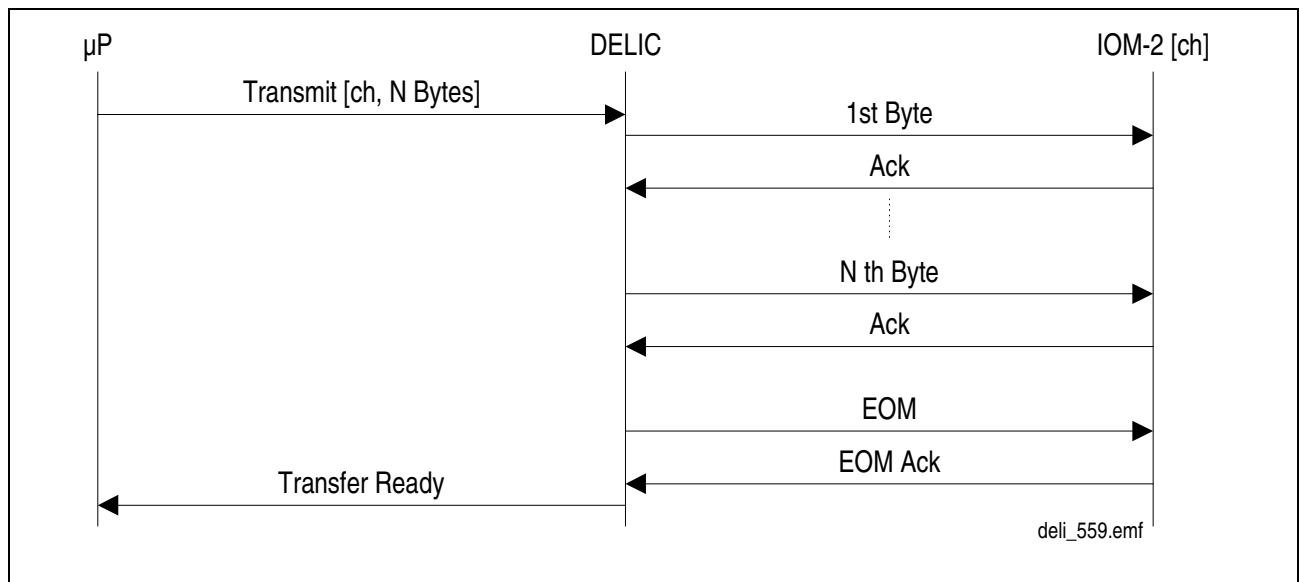
**SAD3..0**    Subscriber Address i.e. IOM-2 port and channel number (up to 16 channels)



**SIZE5..0**    Amount of following data bytes within MDT0..7(15) (range: 1..16(32))

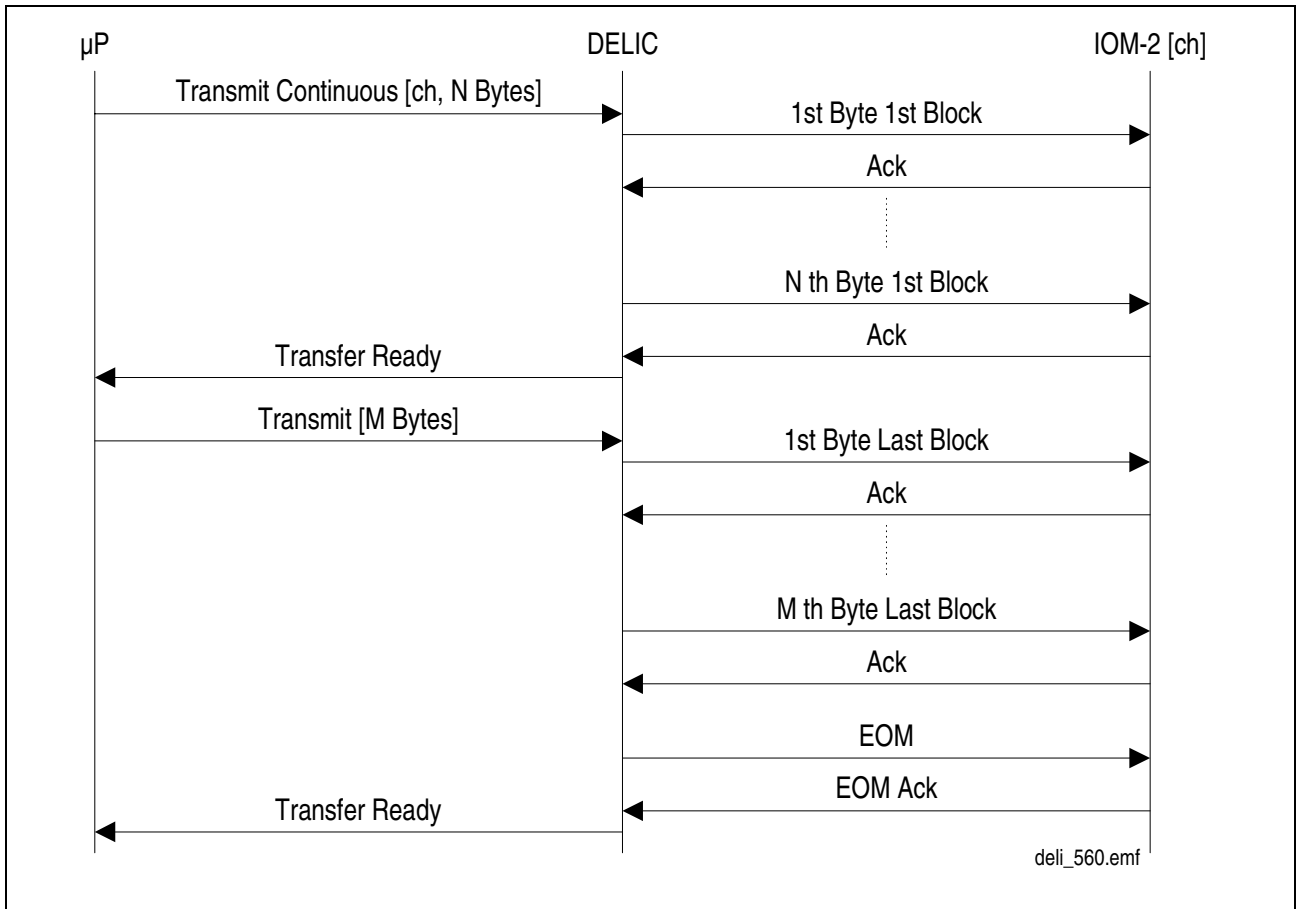
#### 11.8.4    Flow Diagrams

The following flow diagrams describe the way the DELIC transforms the protocols. N and M are always less or equal the mailbox size and less or equal the buffer size.



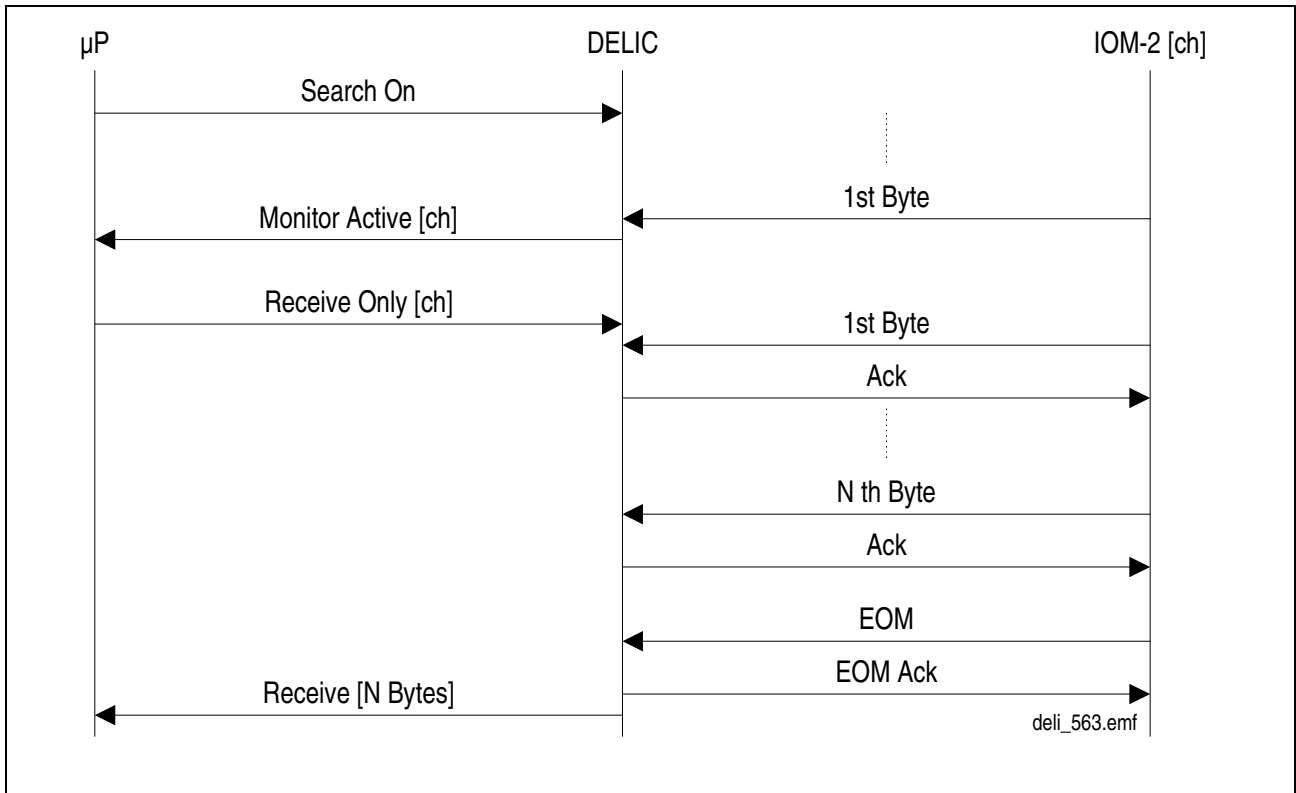
**Figure 11-7    Monitor Flow Diagram: Transmit**

**Mailbox Protocol Description**



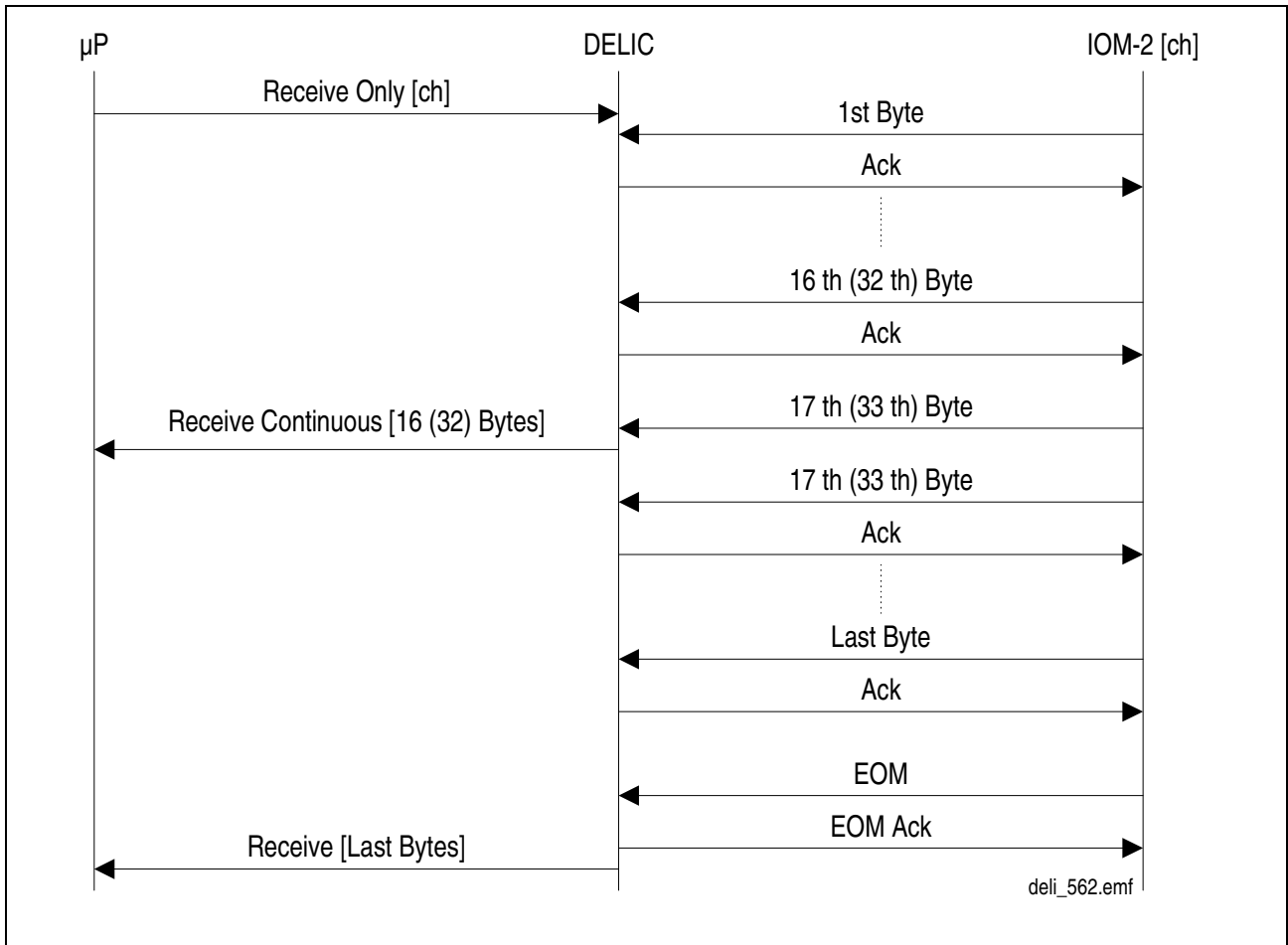
**Figure 11-8 Monitor Flow Diagram: Transmit Continuous**

**Mailbox Protocol Description**



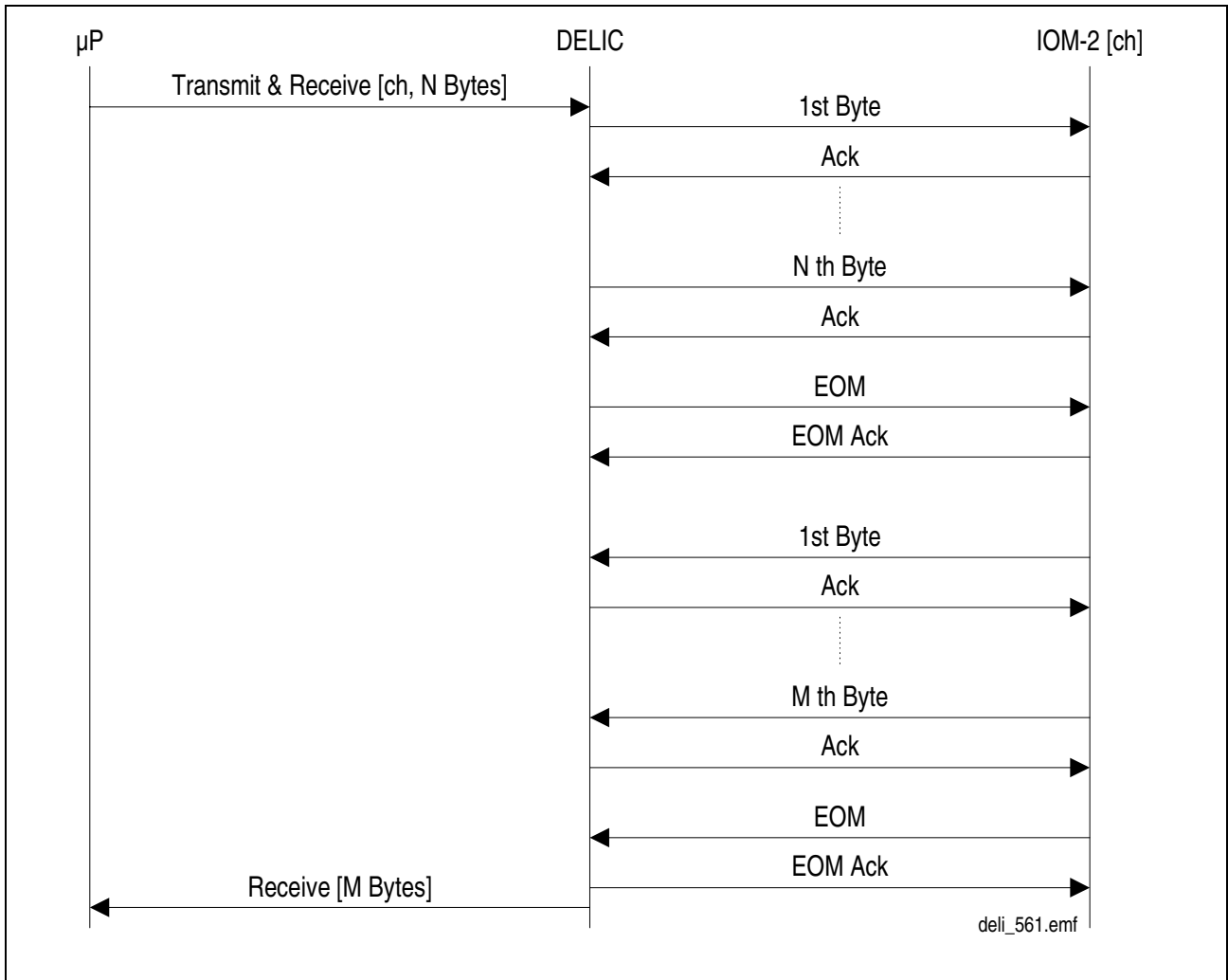
**Figure 11-9 Monitor Flow Diagram: Search Mode**

**Mailbox Protocol Description**



**Figure 11-10 Monitor Flow Diagram: Receive Only with Receive Continuous**

**Mailbox Protocol Description**



**Figure 11-11 Monitor Flow Diagram: Transmit & Receive**

## 11.9 IOM-2000 C/I Handling

The layer 1 state machine is accessed the same way as the C/I channels.

### 11.9.1 IOM-2000 C/I Command

The following command is sent from the  $\mu P$  to the DELIC:

**Mailbox Protocol Description**

**11.9.1.1 Write C/I Value Command (0x0B)**

This command provides the DELIC with new C/I values to be sent on the specified channels. It can be issued any time.

Parameter:

- Amount of following entries

For every entry:

- IOM-2000 VIP and channel number
- C/I value

See "Common Mailbox Parameter Structure" on page 11-38

**11.9.2 IOM-2000 C/I Indication**

The following indication is sent from the DELIC to the  $\mu$ P.

**11.9.2.1 Change Detected Indication (0x11)**

If at least one change is detected this indication will be issued. The amount of entries depends on the mailbox size and the amount of used IOM-2000 channels. Maximum values of 8 entries (if DMA is used) or 16 (if DMA is not used) are possible.

Parameter:

- Amount of following entries

For every entry:

- IOM-2000 VIP and channel number
- C/I value

See "Common Mailbox Parameter Structure" on page 11-38

**11.9.3 Common Mailbox Parameter Structure**

Both command and indication use the same structure.

**Mailbox Register (MGEN High)**                       $\mu$ P-write                      Address:      43<sub>H</sub>

**Mailbox Register (OGEN High)**                       $\mu$ P-read                      Address:      63<sub>H</sub>

bit	7	6	5	4	3	2	1	0
				(SIZE4)	SIZE3	SIZE2	SIZE1	SIZE0

**SIZE4..0** Amount of valid entries in MDT0..7(15) or ODT0..7(15) (range: 1..8(16))



## Mailbox Protocol Description

For every entry (two bytes per entry):

**Mailbox Register (MDT0..7(15) Low)**  $\mu$ P-write

**Mailbox Register (ODT0..7(15) Low)**  $\mu$ P-read

bit	7	6	5	4	3	2	1	0
				SAD4	SAD3	SAD2	SAD1	SAD0

**SAD4..0** Subscriber Address i.e. IOM-2000 VIP and channel number

**Mailbox Register (MDT0..7(15) High)**  $\mu$ P-write

**Mailbox Register (ODT0..7(15) High)**  $\mu$ P-read

bit	7	6	5	4	3	2	1	0
					CI3	CI2	CI1	CI0

**CI3..0** C/I value

### 11.10 HDLC Handling

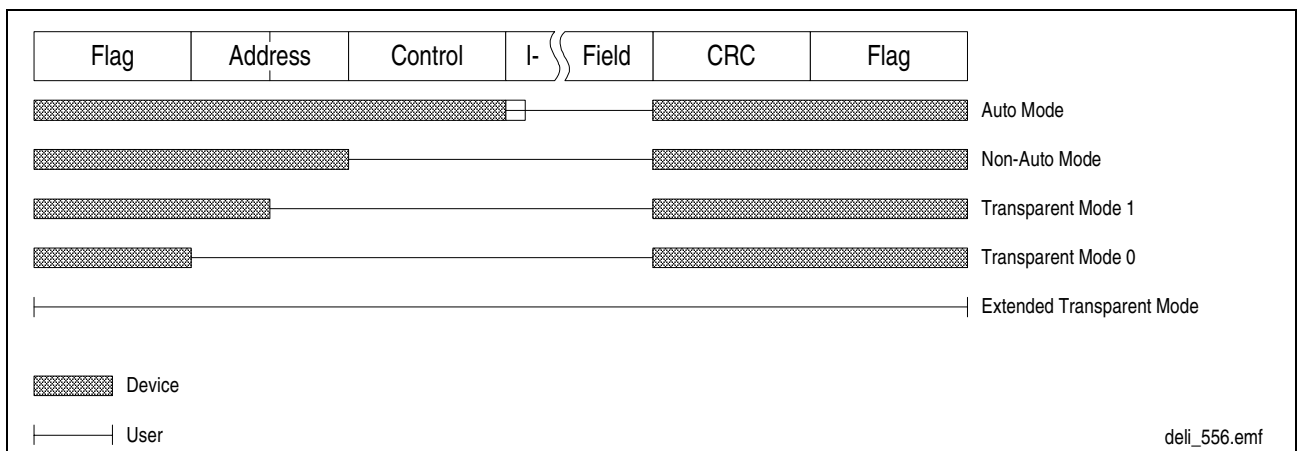


Figure 11-12 HDLC Frame Structure

#### 11.10.1 HDLC Commands

The following commands are sent from the  $\mu$ P to the DELIC.

Mailbox Protocol Description

**11.10.1.1 Reset Command (0x1F)**

This command resets the specified HDLC controllers.

Parameter:

- Amount of following entries

For every entry:

- HDLC channel address
- Receiver or transmitter or both

**Mailbox Register (MGEN High)**       $\mu$ P-write      Address: 43<sub>H</sub>

bit	7	6	5	4	3	2	1	0
				(SIZE4)	SIZE3	SIZE2	SIZE1	SIZE0

**SIZE4..0** Amount of following entries within MDT0..7(15) (range: 1..8(12))

For every entry (two bytes per entry):

**Mailbox Register (MDT0..7(15) Low)**       $\mu$ P-write

bit	7	6	5	4	3	2	1	0
				HCA4	HCA3	HCA2	HCA1	HCA0

**HCA4..0** HDLC Channel Address

**Mailbox Register (MDT0..7(15) High)**       $\mu$ P-write

bit	7	6	5	4	3	2	1	0
				RX				TX

**TX** Transmitter will be reset (**ELIC bit XRES**)

0 = No action

1 = Reset

**RX** Receiver will be reset (**ELIC bit RHR**)

0 = No action

1 = Reset

### 11.10.1.2 Transmit Command (0x1D)

(ELIC bits: XTF, XME)

This command initiates sending of a single message or the last block of a long message. After transmission Transmit Ready will be issued.

Parameter:

- HDLC channel address
- Amount of data bytes
- Data bytes

See "Common Mailbox Parameter Structure" on page 11-44

### 11.10.1.3 Transmit Continuous Command (0x1E)

(ELIC bit: XTF)

This command allows sending of one or more blocks. The last block has to be sent with the Transmit Command. The next block is requested by Transmit Ready Indication.

Parameter:

- HDLC channel address
- Amount of data bytes
- Data bytes

See "Common Mailbox Parameter Structure" on page 11-44

### 11.10.1.4 Activation/Deactivation Command (0x20)

(ELIC bit: RAC)

The command activates or deactivates the specified HDLC channel.

Parameter:

- Amount of following entries

For every entry:

- HDLC channel address

Mailbox Register (MGEN High)			μP-write				Address:		43 <sub>H</sub>
bit	7	6	5	4	3	2	1	0	
			(SIZE5)	SIZE4	SIZE3	SIZE2	SIZE1	SIZE0	

**SIZE5..0** Amount of following bytes within MDT0..7(15) (range: 1..16(32))

**Mailbox Protocol Description**

For every entry (one byte per entry):

**Mailbox Register (MDT0..7(15))**

μP-write

bit	7	6	5	4	3	2	1	0
	D			HCA4	HCA3	HCA2	HCA1	HCA0

**HCA4..0** HDLC Channel Address

**D** Activation/Deactivation bit

0 = Activate HDLC channel

1 = Deactivate HDLC channel

*Note: Both receiver and transmitter are activated/deactivated*

**11.10.2 HDLC Indications**

The following indications are sent from the DELIC to the μP.

**11.10.2.1 Error Indication (0x34)**

This indication reports HDLC errors to the μP.

Parameter:

- HDLC channel address
- Error code

According to the receiver following errors can occur: Abort, CRC-Check failure, byte not complete, address recognition error, receive buffer overflow, extended HDLC frame (i.e. neither a RR nor an I frame in Auto Mode).

According to the transmitter following errors can occur: underflow of the transmit buffer, repeat request according to long messages (long frame polled twice, collision after first block).

**Mailbox Register (OGEN Low)**

μP-read

Address: 62<sub>H</sub>

bit	7	6	5	4	3	2	1	0
				HCA4	HCA3	HCA2	HCA1	HCA0

**HCA4..0** HDLC Channel Address

**Mailbox Protocol Description**

<b>Mailbox Register (ODT0 Low)</b>				μP-read	Address: 20 <sub>H</sub>			
bit	7	6	5	4	3	2	1	0
		TXE2	TXE1	TXE0		RXE2	RXE1	RXE0

**RXE2..0** Receiver Error Codes

001 = Abort (**ELIC bits VFR, RAB**)

010 = CRC check failure (**ELIC bit CRC**)

011 = Non octet (**ELIC bit VFR**)

100 = Address recognition error (**ELIC bits HA1..0**)

101 = Frame too short (**ELIC bit VFR**)

110 = Receive buffer overflow (**ELIC bits RFO, RDO**)

111 = Extended HDLC frame (Auto Mode: neither RR nor I frame) (**ELIC bit EHC**)

**TXE2..0** Transmitter Error Codes

001 = Transmit buffer underflow (**ELIC bits XDU, EXE**)

010 = Repeat Request (**ELIC bit XMR**)

011 = Transmit buffer overflow

100 = Collision Detected

### 11.10.2.2 Transmit Ready Indication (0x33)

(ELIC bit XPR)

This indication informs the μP which HDLC controller finished the last transmit command.

Parameter:

- HDLC channel address

<b>Mailbox Register (OGEN Low)</b>				μP-read	Address: 62 <sub>H</sub>			
bit	7	6	5	4	3	2	1	0
				HCA4	HCA3	HCA2	HCA1	HCA0

**HCA4..0** HDLC Channel Address

### 11.10.2.3 Receive Indication (0x31)

(ELIC bit RME)

This indication reports a single or the last received block to the  $\mu$ P.

Parameter:

- HDLC channel address
- Amount of data bytes
- Data bytes

See "Common Mailbox Parameter Structure" on page 11-44

### 11.10.2.4 Receive Continuous Indication (0x32)

(ELIC bit RPF)

This indication sends a received block to the  $\mu$ P. More data follows. The last block will be sent with Receive Indication.

Parameter:

- HDLC channel address
- Amount of data bytes
- Data bytes

See "Common Mailbox Parameter Structure" on page 11-44

### 11.10.3 Common Mailbox Parameter Structure

The following structure is valid for following commands or indications respectively:

Transmit Command (0x1D), Transmit Continuous Command (0x1E), Receive Indication (0x31), Receive Continuous Indication (0x32).

**Mailbox Register (MGEN Low)**                       $\mu$ P-write                      Address:      42<sub>H</sub>

**Mailbox Register (OGEN Low)**                       $\mu$ P-read                      Address:      62<sub>H</sub>

bit	7	6	5	4	3	2	1	0
				HCA4	HCA3	HCA2	HCA1	HCA0

**HCA4..0**    HDLC Channel Address

Mailbox Protocol Description

**Mailbox Register (MGEN High)**       $\mu$ P-write      Address: 43<sub>H</sub>

**Mailbox Register (OGEN High)**       $\mu$ P-read      Address: 63<sub>H</sub>

bit	7	6	5	4	3	2	1	0
			(SIZE5)	SIZE4	SIZE3	SIZE2	SIZE1	SIZE0

**SIZE5..0** Amount of following data bytes within MDT0..7(15) or ODT0..7(15)  
*Note: A SIZE value of '0' stands for a byte count of zero data bytes. Thus the width of SIZE is 5 bits to include a mailbox transfer of 16 data bytes, or 6 bits to include a mailbox transfer of 32 data bytes.*

11.10.4 Flow Diagrams

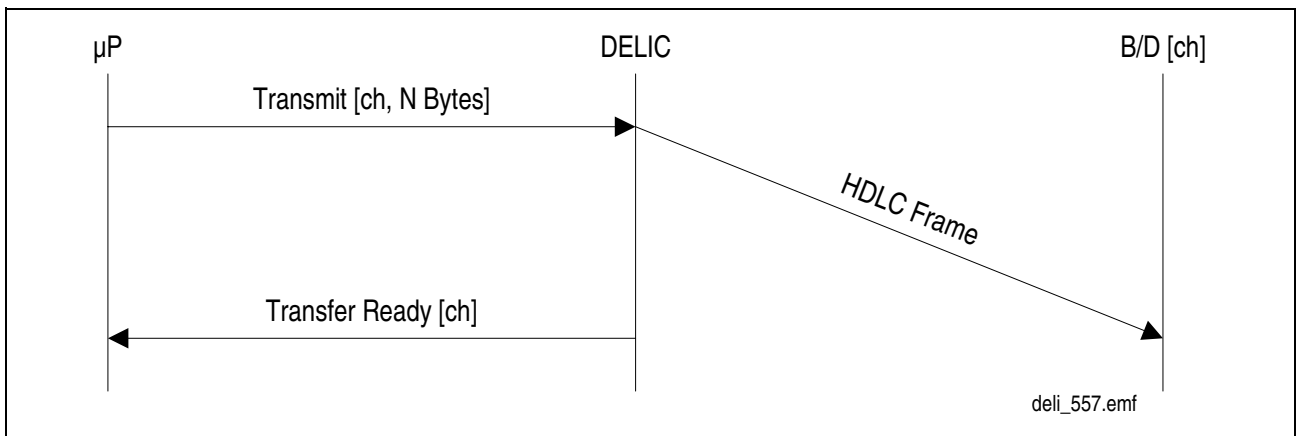


Figure 11-13 HDLC Flow Diagram: Transmit

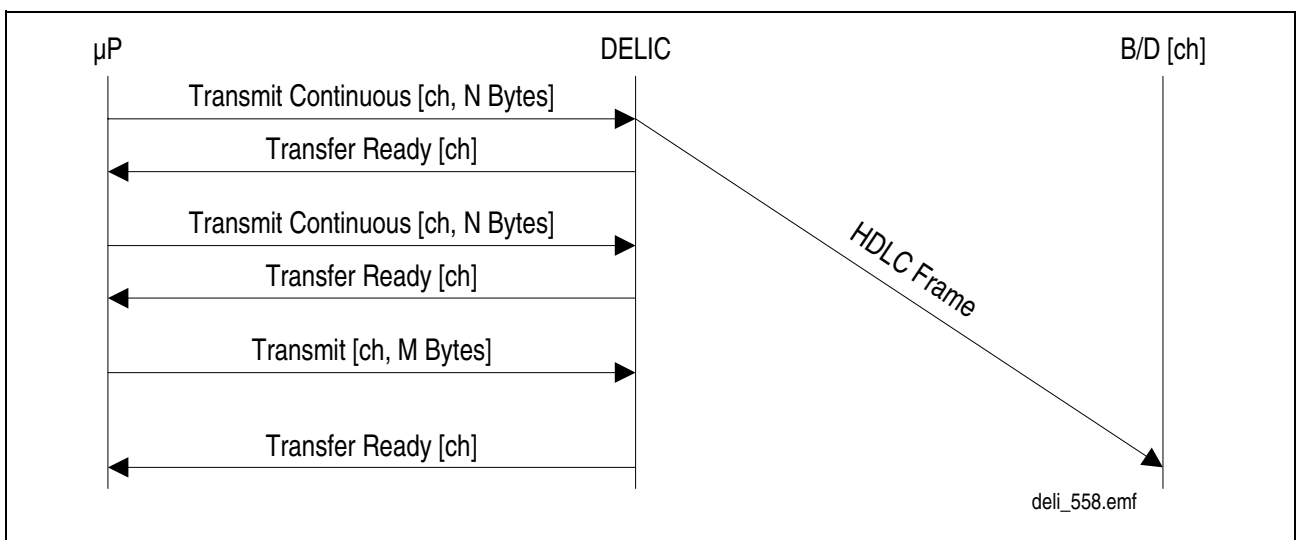


Figure 11-14 HDLC Flow Diagram: Transmit Continuous

Mailbox Protocol Description

## 11.11 GHDLIC Handling

According to the commands and indications the same parameter structure as in HDLC handling is used. The only difference is that HCA4..0 (HDLC channel address) is called GCA1..0 (GHDLIC channel address).

### 11.11.1 GHDLIC Commands

#### 11.11.1.1 Reset Command (0x15)

This command resets the specified GHDLIC channel.

Parameter:

- Amount of following entries

For every entry:

- GHDLIC channel address

<b>Mailbox Register (MGEN High)</b>							$\mu$ P-write	Address:	43 <sub>H</sub>
bit	7	6	5	4	3	2	1	0	
							SIZE1	SIZE0	

**SIZE1..0** Amount of following bytes within MDT0..7(15)

For every entry (one byte per entry):

<b>Mailbox Register (MDT0 and MDT1)</b>							$\mu$ P-write	
bit	7	6	5	4	3	2	1	0
							GCA1	GCA0

**GCA1..0** GHDLIC Channel Address



Mailbox Protocol Description

11.11.1.2 Transmit Command (0x11)

Parameter:

- GHDLC channel address
- Transmit prepared or direct data
- Enable/Disable auto repeat
- Amount of data bytes
- Data bytes

<b>Mailbox Register (MGEN Low)</b>				μP-write		Address: 42 <sub>H</sub>		
bit	7	6	5	4	3	2	1	0
	XPD/ XDD	AREP					GCA1	GCA0

**XPD/XDD** Transmit prepared or direct data (Auto Mode only)

- 0 = Transmit direct data
- 1 = Transmit prepared data

**AREP** Auto Repeat Enable

- 0 = Disable Auto Repeat
- 1 = Enable Auto Repeat

**GCA1..0** GHDLC Channel Address

00= GHDLC Channel 0 (all other combinations are reserved)

<b>Mailbox Register (MGEN High)</b>				μP-write		Address: 43 <sub>H</sub>		
bit	7	6	5	4	3	2	1	0
			(SIZE5)	SIZE4	SIZE3	SIZE2	SIZE1	SIZE0

**SIZE5..0** Amount of data bytes within MDT0..7(15) (range: 1..16(32))

Mailbox Protocol Description

### 11.11.1.3 Transmit Continuous Command (0x12)

Parameter:

- GHDLC channel address
- Amount of data bytes
- Data bytes

<b>Mailbox Register (MGEN Low)</b>			μP-write			Address: 42 <sub>H</sub>		
bit	7	6	5	4	3	2	1	0
							GCA1	GCA0

**GCA1..0** GHDLC Channel Address

00= GHDLC Channel 0 (all other combinations are reserved)

<b>Mailbox Register (MGEN High)</b>			μP-write			Address: 43 <sub>H</sub>		
bit	7	6	5	4	3	2	1	0
			(SIZE5)	SIZE4	SIZE3	SIZE2	SIZE1	SIZE0

**SIZE5..0** Amount of data bytes within MDT0..7(15) (range: 1..16(32))

### 11.11.2 GHDLC Indications

#### 11.11.2.1 Error Indication (0x24)

For the structure see "Error Indication (0x34)" on page 11-42 and replace HCA4..0 (HDLC channel address) with GCA1..0 (GHDLC channel address).

#### 11.11.2.2 Fatal Error Indication (0x25)

This indication reports the status of the GHDLC unit to the μP in case of an error.

Parameter:

- GHDLC channel address
- Status of GHDLC channel

**Mailbox Protocol Description**

**Mailbox Register (OGEN Low)**                       $\mu$ P-read                      Address:    62<sub>H</sub>

bit	7	6	5	4	3	2	1	0
							GCA1	GCA0

**GCA2..0**    GHDLC Channel Address

**Mailbox Register (ODT0 High)**                       $\mu$ P-read                      Address:    21<sub>H</sub>

bit	7	6	5	4	3	2	1	0
	x	x	x	x	x	x	COLLD	UNDER

**Mailbox Register (ODT0 Low)**                       $\mu$ P-read                      Address:    20<sub>H</sub>

bit	7	6	5	4	3	2	1	0
	EMPTY	OVER	FULL	RBFILL(4:0)				

*Note: For the meaning of the bits, refer to "GHDLC Receive Channel Status Registers 0..3" on page 6-40*

**11.11.2.3 Transmit Ready Indication (0x23)**

For the structure see "Transmit Ready Indication (0x33)" on page 11-43 and replace HCA4..0 (HDLC channel address) with GCA1..0 (GHDLC channel address).

**11.11.2.4 Receive Indication (0x21)**

For the structure see "Receive Indication (0x31)" on page 11-44 and replace HCA4..0 (HDLC channel address) with GCA1..0 (GHDLC channel address).

**11.11.2.5 Receive Continuous Indication (0x22)**

For the structure see "Receive Continuous Indication (0x32)" on page 11-44 and replace HCA4..0 (HDLC channel address) with GCA1..0 (GHDLC channel address).

## 11.12 B-Channel Switching

(ELIC registers MAAR, MADR, MACR)

Purpose of the switching task is to manage connections between time slots i.e. to transfer data between memory locations. To every connection an identification is assigned in order to make fast disconnection possible and to avoid hole handling within the used connection table.

The connection information can be read back with the "Read Register Command (0x02)" on page 11-17. The internal connection table (base address t.b.d.) contains consecutive entries consisting of two consecutive 16-bit values each determining the source (first word) and destination (second word) time slot address. The actual time slot can be recalculated with the following table.

**Table 11-18 Time Slot Address Ranges**

Unit	Direction	Address Range	Time Slot Range
IOM-2	Receive	0x8000..0x803F	0..63
	Transmit	0x8040..0x807F	0..63
IOM-2000	Receive	0x6000..0x607F	0..127
	Transmit	0x6080..0x80FF	0..127
PCM	Receive	0xA000..0xA07F	0..127
	Transmit	0xA080..0xA0FF	0..127

### 11.12.1 Switching Commands

The following commands are sent from the  $\mu$ P to the DELIC:

#### 11.12.1.1 8-bit Connect Command (0x17)

This command creates or overwrites a connection between two time slots.

Parameter:

- Amount of following entries

For every entry:

- Connection Identifier
- Source unit
- Source TS
- Destination unit
- Destination TS

Mailbox Protocol Description

**Mailbox Register (MGEN High)**       $\mu$ P-write      Address: 43<sub>H</sub>

bit	7	6	5	4	3	2	1	0
					(SIZE3)	SIZE2	SIZE1	SIZE0

**SIZE3..0** Amount of following entries within MDT0..7(15) (range: 1..4(8))

For every entry (four bytes per entry):

**Mailbox Register (MDT[x] Low)**       $\mu$ P-write

bit	7	6	5	4	3	2	1	0
	ID7	ID6	ID5	ID4	ID3	ID2	ID1	ID0

**ID7..0** Connection Identification

**Mailbox Register (MDT[x] High)**       $\mu$ P-write

bit	7	6	5	4	3	2	1	0
		DIT2	DIT1	DIT0		SIT2	SIT1	SIT0

**SIT2..0** Source Interface Type

- 001 = IOM-2
- 010 = IOM-2000
- 100 = PCM

**DIT2..0** Destination Interface Type

- 001 = IOM-2
- 010 = IOM-2000
- 100 = PCM

Mailbox Protocol Description

**Mailbox Register (MDT[x+1] Low)**       $\mu$ P-write

bit	7	6	5	4	3	2	1	0
	STSN7	STSN6	STSN5	STSN4	STSN3	STSN2	STSN1	STSN0

**STSN7..0** Source Time Slot Number

**Mailbox Register (MDT[x+1] High)**       $\mu$ P-write

bit	7	6	5	4	3	2	1	0
	DTSN7	DTSN6	DTSN5	DTSN4	DTSN3	DTSN2	DTSN1	DTSN0

**DTSN7..0** Destination Time Slot Number

*Note: Values for x are 0, 2, 4, 6, (8, 10, 12, 14)*

**11.12.1.2 8-bit Disconnect Command (0x18)**

This command deactivates a connection between two time slots.

Parameter:

- Amount of following entries

For every entry:

- Connection Identifier

**Mailbox Register (MGEN High)**       $\mu$ P-write      Address:      43<sub>H</sub>

bit	7	6	5	4	3	2	1	0
			(SIZE5)	SIZE4	SIZE3	SIZE2	SIZE1	SIZE0

**SIZE5..0** Amount of following bytes within MDT0..7(15) (range: 1..16(32))

**Mailbox Protocol Description**

For every entry (one byte per entry):

**Mailbox Register (MDT0..7(15))**       $\mu$ P-write

bit	7	6	5	4	3	2	1	0
	ID7	ID6	ID5	ID4	ID3	ID2	ID1	ID0

**ID7..0**      Connection Identification

## 12 Index

### A

Applications 1-7

### B

Block Diagram 4-2

Block Diagram of the DELIC-LC 1-2

Boot Strap Pin Setting 4-41

### C

Commands

8-bit Connect Command 11-50

8-bit Disconnect Command 11-52

Activation/Deactivation Command 11-41

Finish Boot Command 11-13

Finish Initialization Command 11-24

GHDLC Configuration Command 11-22

IOM-2000 Delay Measurement Command 11-21

IOM-2000 VIP Channel Configuration Command 11-22

Monitor Reset Command 11-30

Read Register Command 11-17

Reset Command 11-40, 11-46

Search On Command 11-29

Search Reset Command 11-30

Start Boot Command 11-13

Transmit Command 11-30, 11-41, 11-47

Transmit Continuous Command 11-30, 11-41, 11-48

Transmit&Receive/Receive Only Command 11-30

Write C/I Value Command 11-27, 11-38

Write Data Memory Command 11-14

Write Program Memory Command 11-13

Write Register Command 11-16

### D

Differences DELIC-LC - DELIC-PB 4-1

### F

Features

DELIC-LC 1-4

DELIC-PB 1-4

### I

Indications

Change Detected Indication 11-27, 11-38

Error Indication 11-15, 11-42, 11-48

Fatal Error Indication 11-48

Finish VIP Channel Configuration Indication 11-26

Firmware Version Indication 11-15

IOM-2000 Delay Indication 11-25

IOM-2000 Far-end Code Violation Indication 11-24

Monitor Active Indication 11-32

Read Register Indication 11-18

Receive Continuous Indication 11-31, 11-44, 11-49

Receive Indication 11-31, 11-44, 11-49

Start Loading Data RAM Indication 11-15

Start Loading Program RAM Indication 11-15

Transfer Ready Indication 11-31

Transmit Abort Indication 11-32

Transmit Ready Indication 11-43, 11-49

Interfaces



μP Interface 3-24  
    IOM<sup>®</sup>-2 Interface 3-23  
    IOM-2000 3-2  
    Overview 3-1  
Interrupts 3-26  
Introduction 1-1  
IOM-2000  
    Command and Status Interface 4-7  
    Data Interface 4-11  
    Framing Bits 4-6  
IOM-2000 Frame Structure 3-3  
IOMU  
    Overview of Features 4-14

## J

JTAG Test Interface 3-27

## L

Logic Symbol 1-6

## P

Pin Definitions 2-3, 2-15  
Pin Diagram 2-1, 2-2  
Principle Block Diagram of the DELIC-PB 1-3

## S

S/T State Machine 3-14  
Strap Pin Definitions 2-28  
Subscriber Address 11-4

## T

TRANSIU  
    Initialization 4-3  
    Overview of Features 4-3

## U

UPN State Machine 3-9

## V

VIP  
    Initialization 4-4

## 13 Glossary

AHV-SLIC PEB 4165	High voltage part of SLIC
CMOS	Complementary Metal Oxide Semiconductor
CO	Central Office
CODEC	Coder Decoder
DC	Direct Current
DECT	Digital European Cordless Telecommunication
DELIC	DSP Embedded Line and Port Interface Controller (PEB 20570, PEB 20571)
DSL	Digital Subscriber Line
DSP	Digital signal processor
HDLC	High-level Data Link Control
IEEE	Institute of Electrical and Electronic Engineers
INFO	U- and S-interface signal as specified by ANSI/ETSI
I/O	Input/Output
IOM-2	ISDN-Oriented Modular 2nd generation
IOM-2000	Proprietary ISDN interface for S/T and U <sub>P</sub>
ISDN	Integrated services Digital Network
ITU	International Telecommunications Union
MUBIC PEB22521	MDSL transceiver
MuPP PEB 31665	16-channel CODEC digital front end part
μP	Micro Processor
OCTAT-P	OCTAI Transceiver for U <sub>PN</sub> -Interfaces (PEB 2096)
LT-S	Line Termination-Subscriber
LT-T	Line Termination-Trunk
PLL	Phase-Locked Loop
PBX	Private Branch Exchange
QUAD-U PEB 2491	4-channel U-transceiver

---

**Glossary**

QAP PEB 3465	Equivalent 4-channel analog front end part for MuPP
QUAT-S	QUAdrupleTransceiver for S/T-Interface (PEB 2084)
SLICOFI-2 PEB 3265	Dual channel CODEC + low voltage part of SLIC
S/T	Two-wire pair ISDN interface
TAP	Test Access Port
TBD	To Be Defined