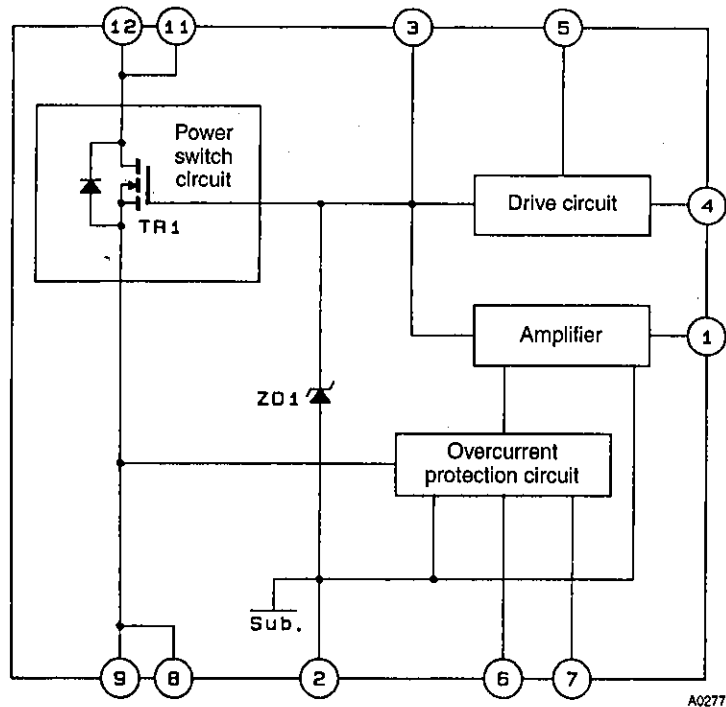


Block Diagram



The back surface of the IC is not an insulator, and is effectively at pin 2 potential.

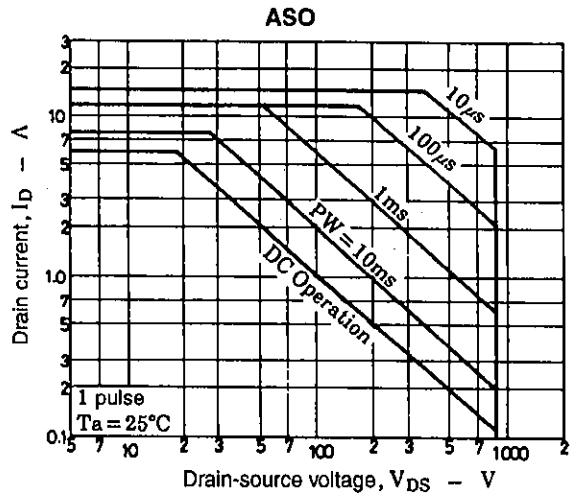
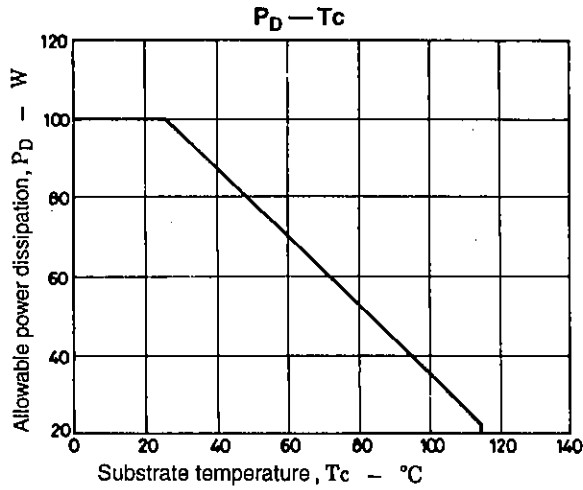
Pin Functions

Number	Function
1	Amplifier circuit control
2	Ground
3	TR1 gate
4	Drive voltage input
5	Starting voltage input
6	OCP setting level input
7	OCP input-voltage dependency detection input
8	TR1 source
9	
11	TR1 drain
12	

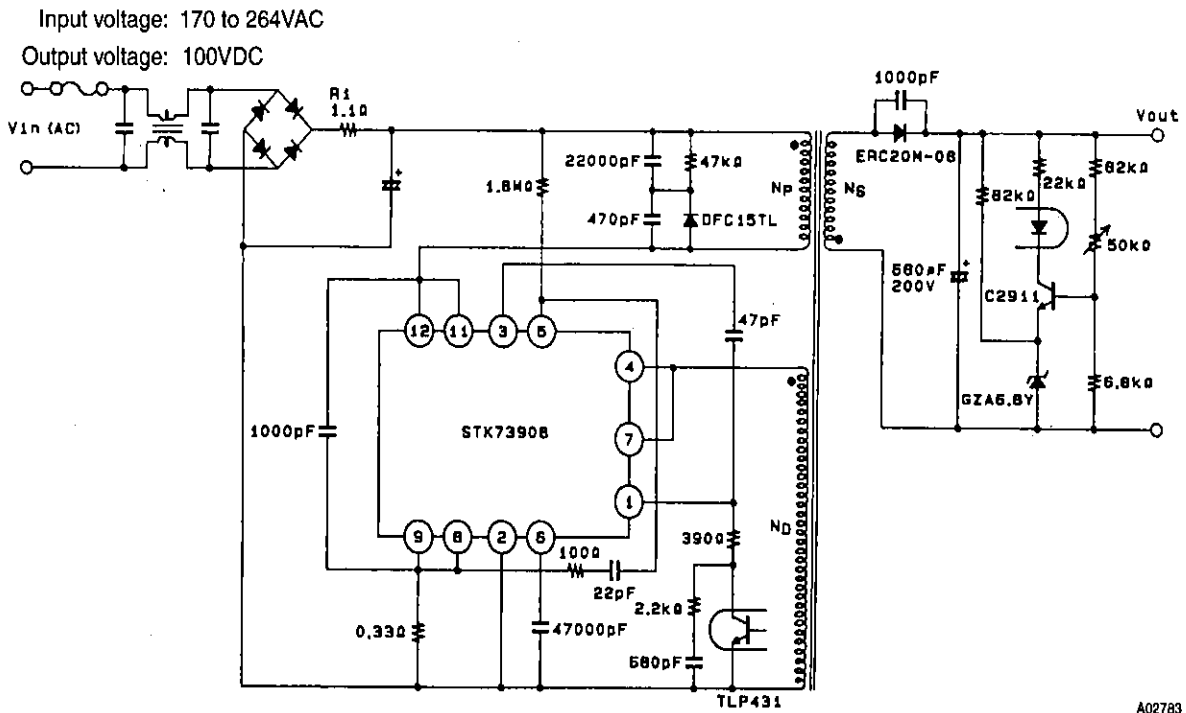
Specifications

Maximum Ratings at $T_a = 25^\circ\text{C}$, $T_c = 25^\circ\text{C}$ unless otherwise specified

Parameter	Symbol	Conditions	Ratings	Unit
Operating substrate temperature	$T_c \text{ max}$	Recommended value is 105°C .	115	$^\circ\text{C}$
AC input voltage	V_{AC}	Specified test circuit	280	Vrms
Operating temperature	T_{opg}		-10 to +85	$^\circ\text{C}$
Storage temperature	T_{stg}		-30 to +115	$^\circ\text{C}$
Maximum output power	$W_o \text{ max}$	Specified test circuit, $V_o = 115\text{V}$	210	W

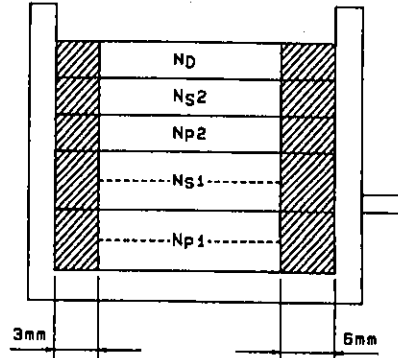
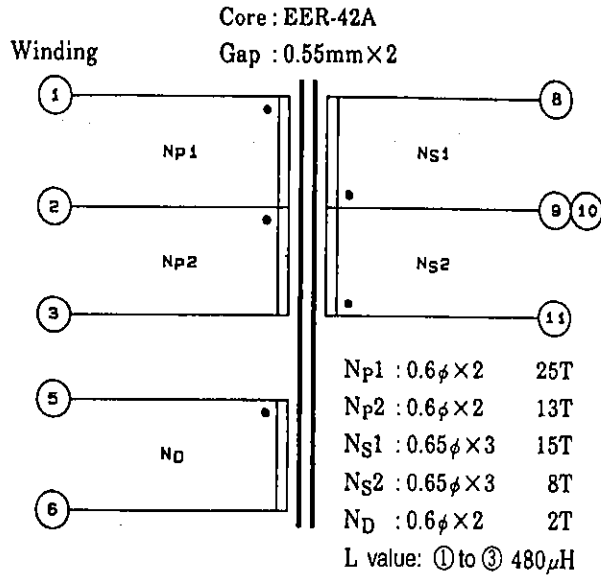


Sample Application Circuit (200V System)

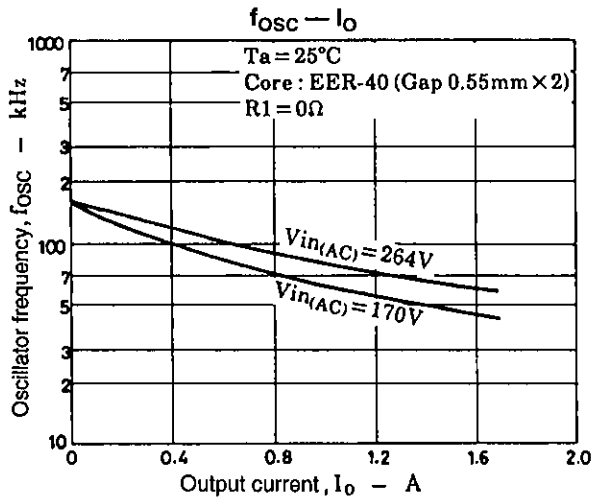
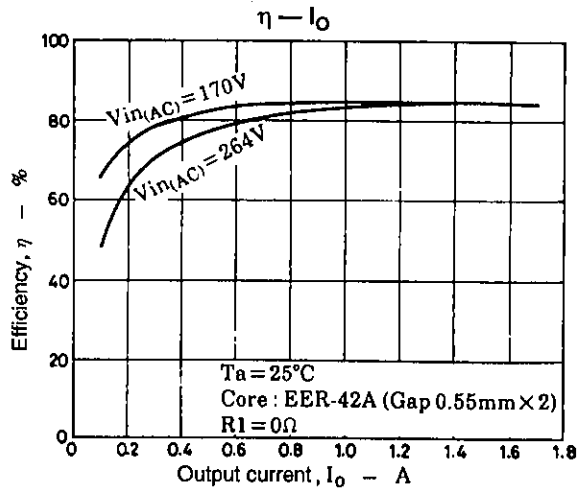
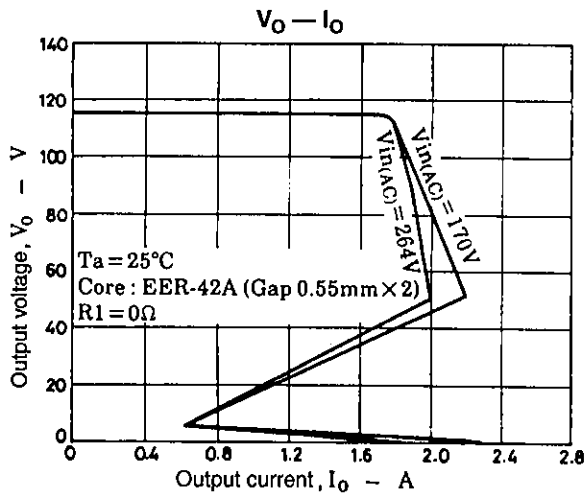


A02783

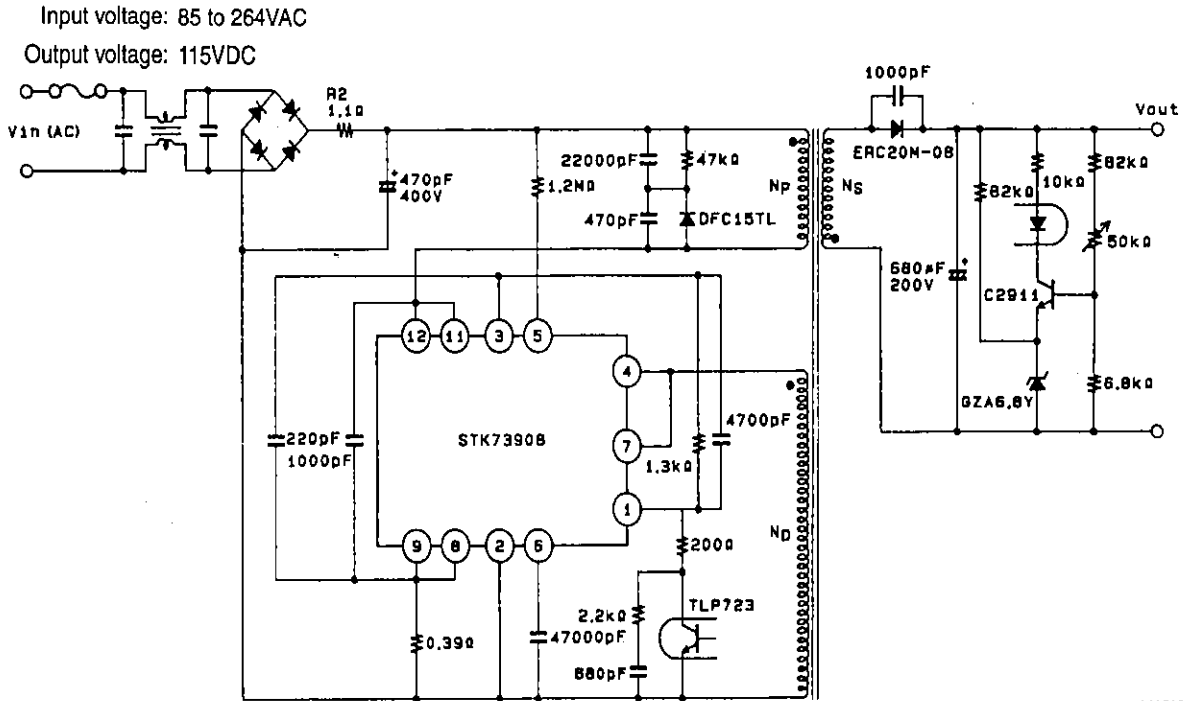
Pulse Transformer Specifications



A02784

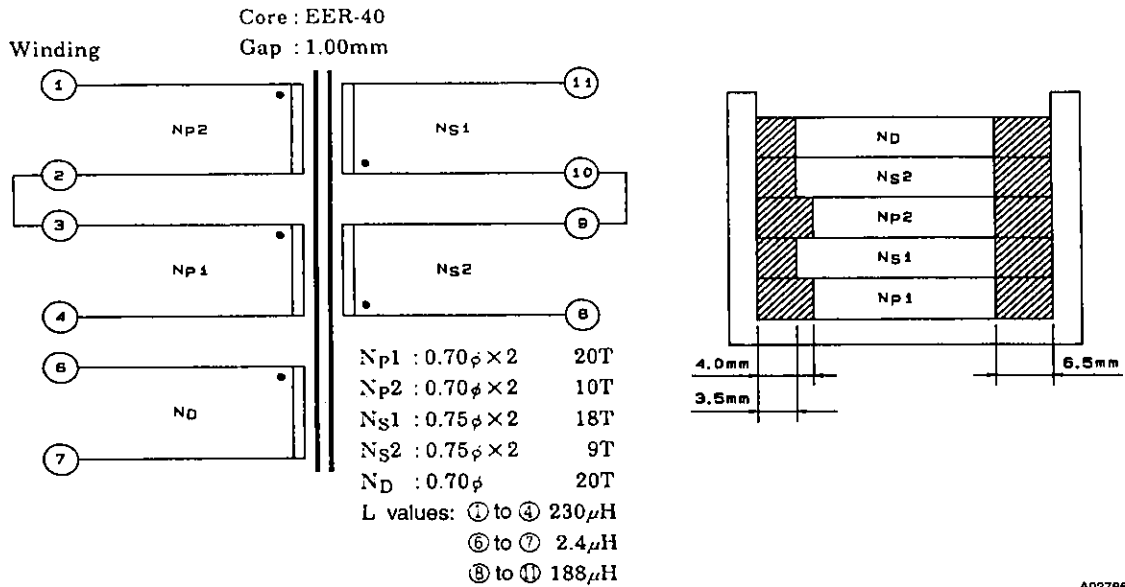


Sample Application Circuit (World Input System)

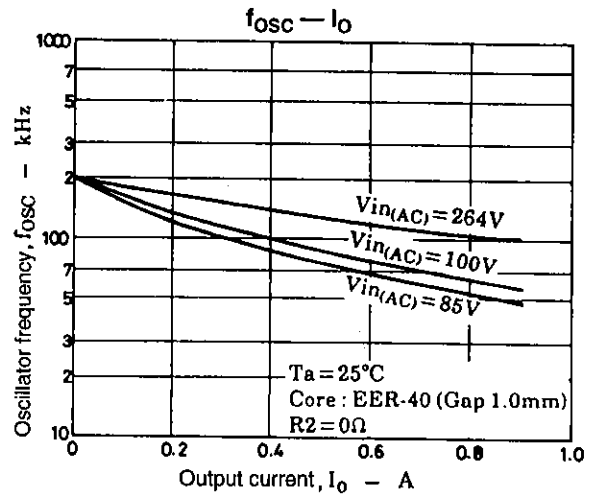
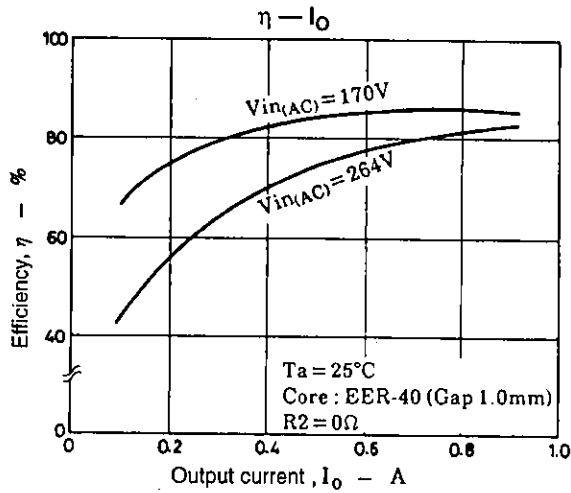
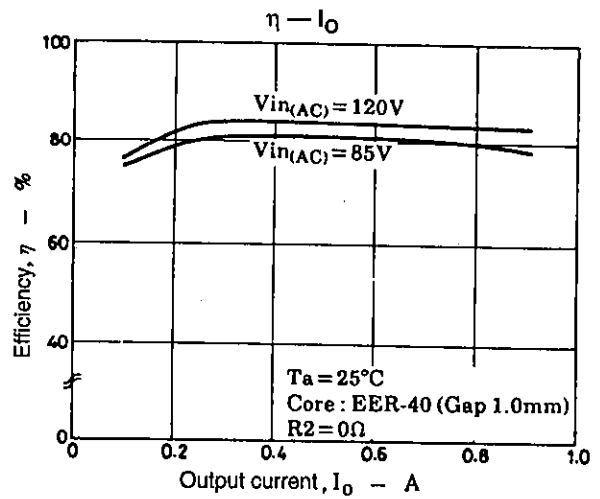
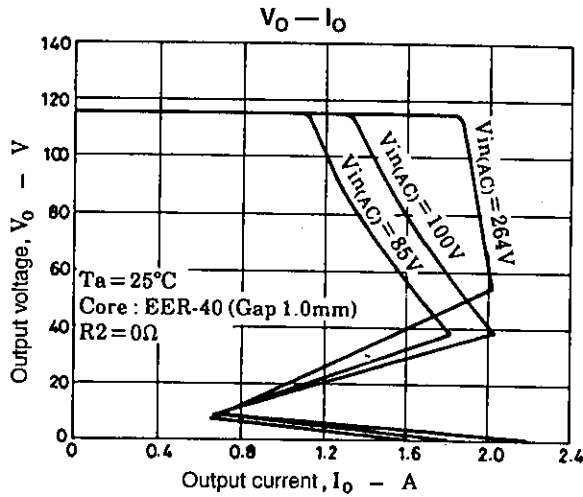


A02785

Pulse Transformer Specifications



A02786



Series Organization

These devices form a series with varying output power ratings.

Device	Maximum ratings					Operating characteristics		
	V _{DSS} [V]	T _{stg} [°C]	T _c max [°C]	T _j max [°C]	I _b [A]	Input voltage [V]	Output power [W]	ON resistance [Ω]
STK73902	500	-30 to +115	+115	+150	6.0	85 to 132	110	1.4
STK73903					10.0		180	0.6
STK73904					12.0		210	0.55
STK73905					15.0		280	0.3
STK73906	900	-30 to +115	+115	+150	3.0	170 to 264	110	5.0
STK73907					5.0		180	3.0
STK73908					6.0		210	2.0
STK73909					8.0		280	1.2