

TOSHIBA BIPOLAR LINEAR INTEGRATED CIRCUIT SILICON MONOLITHIC

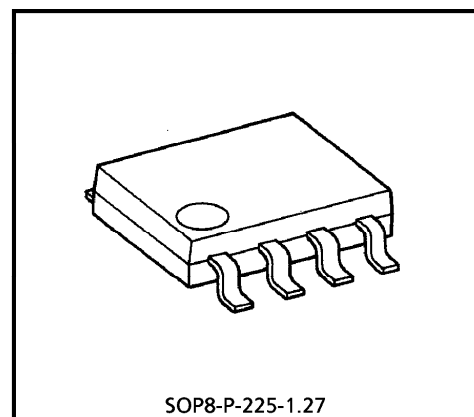
TA7522F

DUAL VOLTAGE COMPARATOR

The TA7522F is an easy-to-use small 8-pin mini-flat package IC incorporating two voltage comparator circuits. Because of its very small size, it is useful for hybrid IC and other devices which must be very small or thin. In addition, the IC has so wide an operating temperature range that it can be used in wide application fields.

FEATURES

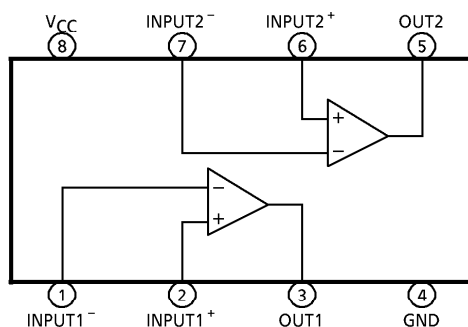
- Two-circuit package
- High gain
- Single 3V power supply for operation
- A 0V input causes action in the IC with a single power supply.
- Wide common-mode input range
- No latch-up
- Operating temperature range : from -40 to 85°C
- Open-collector output
- Small SOP-8 pin



SOP8-P-225-1.27

Weight : 0.08g (Typ.)

BLOCK DIAGRAM AND PIN LAYOUT



961001EBA2

- TOSHIBA is continually working to improve the quality and the reliability of its products. Nevertheless, semiconductor devices in general can malfunction or fail due to their inherent electrical sensitivity and vulnerability to physical stress. It is the responsibility of the buyer, when utilizing TOSHIBA products, to observe standards of safety, and to avoid situations in which a malfunction or failure of a TOSHIBA product could cause loss of human life, bodily injury or damage to property. In developing your designs, please ensure that TOSHIBA products are used within specified operating ranges as set forth in the most recent products specifications. Also, please keep in mind the precautions and conditions set forth in the TOSHIBA Semiconductor Reliability Handbook.
- The products described in this document are subject to foreign exchange and foreign trade control laws.
- The information contained herein is presented only as a guide for the applications of our products. No responsibility is assumed by TOSHIBA CORPORATION for any infringements of intellectual property or other rights of the third parties which may result from its use. No license is granted by implication or otherwise under any intellectual property or other rights of TOSHIBA CORPORATION or others.
- The information contained herein is subject to change without notice.

PIN DESCRIPTION

PIN No.	SYMBOL	DESCRIPTION
1	INPUT1 ⁻	Inverted-input pin
2	INPUT1 ⁺	Non-inverted-input pin
3	OUT1	Output pin corresponding to INPUT1
4	GND	Grounded
5	OUT2	Output pin corresponding to INPUT2
6	INPUT2 ⁺	Non-inverted-input pin
7	INPUT2 ⁻	Inverted-input pin
8	V _{CC}	Power supply pin

MAXIMUM RATINGS (T_a = 25°C)

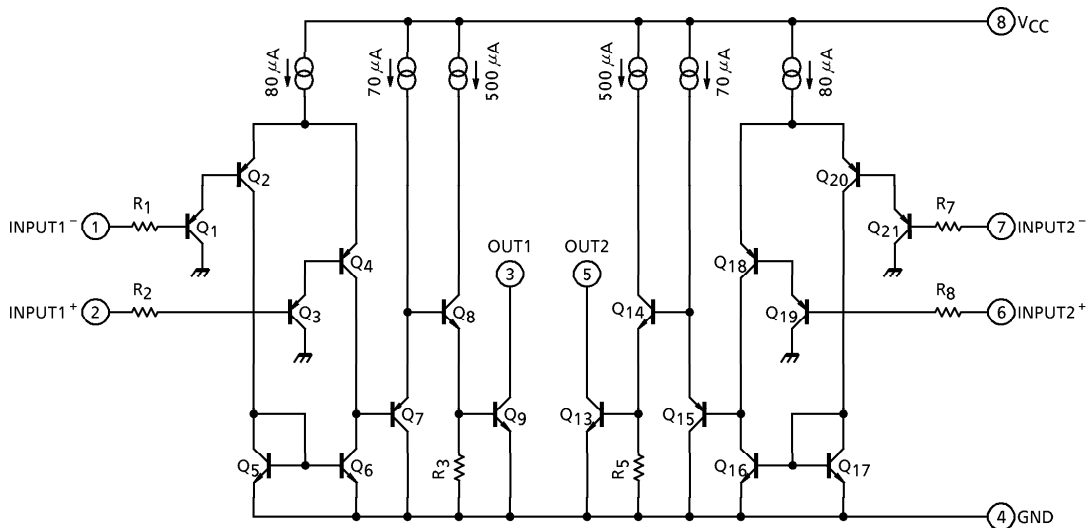
CHARACTERISTIC	SYMBOL	RATING	UNIT
Supply Voltage	V _{CC}	- 0.3 to + 18	V
Supply Voltage Surge	V _{CC SURGE}	30 (within 1 second)	V
Power Dissipation	P _D	440	mW
Differential Input Voltage	DV _{IN}	± 18	V
Input Voltage	V _{IN}	- 0.3 to 18	V
Output Current	I _{SINK}	30	mA
Operating Temperature	T _{opr}	- 40 to 85	°C
Storage Temperature	T _{stg}	- 55 to 150	°C

ELECTRICAL CHARACTERISTICS (Ta = -40 to +85°C)

CHARACTERISTIC	SYMBOL	TEST CIR-CUIT	TEST CONDITION	MIN.	(Note) TYP.	MAX.	UNIT
Voltage Gain	G _V	—	V _{CC} = 6V, R _L = 1kΩ f = 10Hz	60	95	—	dB
Input Offset Voltage	V _{IO}	—	V _{CC} = 6V, R _L = 1kΩ CMV _{IN} = 3	—	2	10	mV
Input Bias Current	I _I	—	V _{CC} = 6V, CMV _{IN} = 3V	—	-0.2	-2	μA
Input Offset Current	I _{IO}	—	Same as above	—	0.02	0.3	μA
Common-mode Input Voltage	CMV _{IL}	—	V _{CC} = 6.5V, R _L = 1kΩ V _{IO} = 20mV	—	-0.5	0	V
	CMV _{IH}	—	Same as above	5.0	5.3	—	V
Output Voltage	V _{OL}	OUT1 OUT2	V _{CC} = 5.5V, V _{IN} = 0.1V I _{OL} = 10mA	—	0.18	0.4	V
Output Leakage Current	I _{LEAK}	OUT1 OUT2	V _{CC} = 6V, V _{OUT} = 30V	—	—	10	μA
		OUT2	V _{CC} = 6V, V _{OUT} = 30V	—	—	10	μA
		OUT1	V _{CC} = 6V, V _{OUT} = 0.4V	—	-1.5	-10	μA
Current Consumption	I _{CC}	—	V _{CC} = 6.5V, R _L = ∞	—	3	7	mA

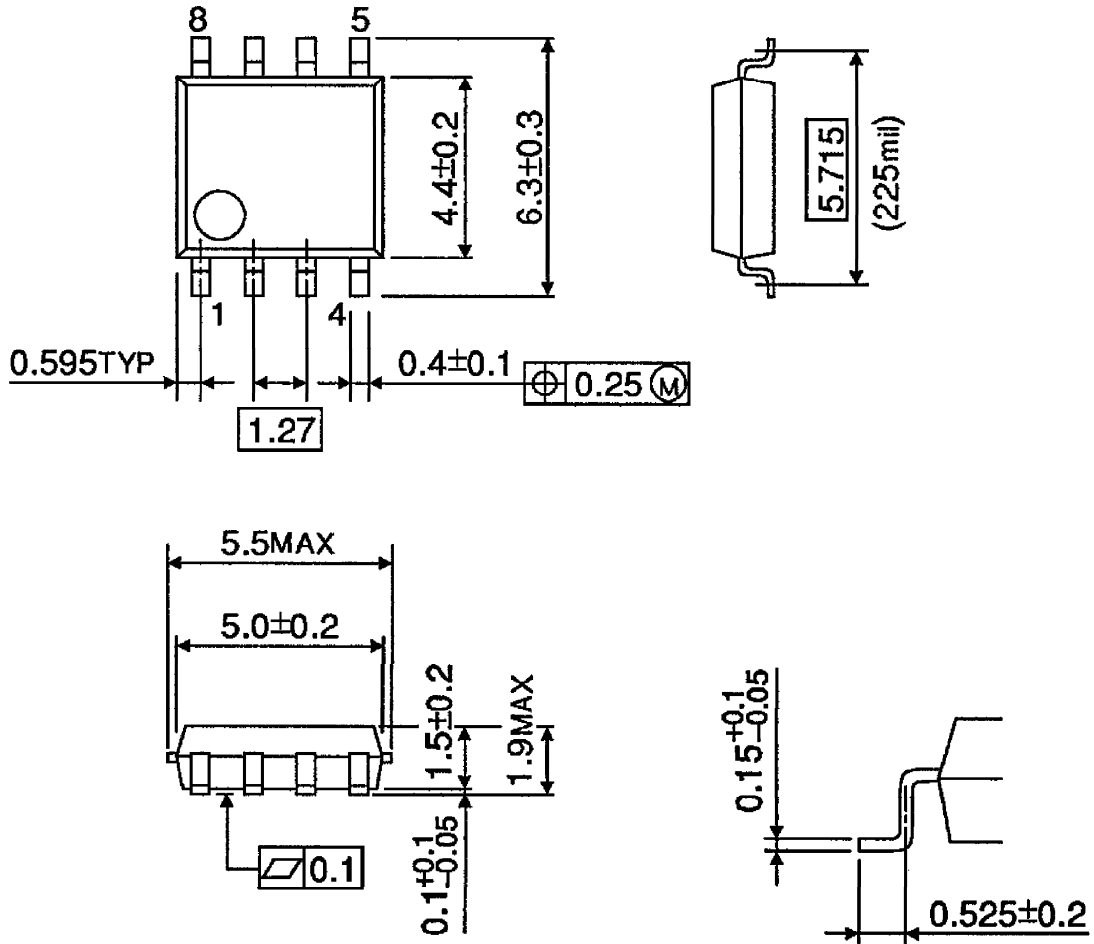
Note : An ambient temperature of 25°C is assumed for the typical values.

EQUIVALENT CIRCUIT



OUTLINE DRAWING
SOP8-P-225-1.27

Unit : mm



Weight : 0.08g (Typ.)