

TOSHIBA BIPOLAR LINEAR INTEGRATED CIRCUIT SILICON MONOLITHIC

TA8218AH

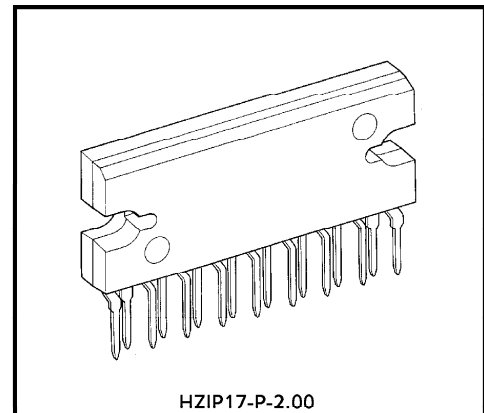
AUDIO POWER AMPLIFIER

The TA8218AH is 3 channel audio amplifier for consumer applications.

This IC provides an output power of 6 watts per channel. (at $V_{CC} = 20V$, $f = 1kHz$, $THD = 10\%$, $R_L = 8\Omega$) It is suitable for power amplifier of TV and Home stereo.

FEATURES

- Built-in 3ch amplifier
- High Output power : $P_{out} = 6W / ch$ (Typ.)
($V_{CC} = 20V$, $R_L = 8\Omega$, $f = 1kHz$, $THD = 10\%$)
- Low Noise : $V_{NO} = 0.14mV_{rms}$ (Typ.)
($V_{CC} = 20V$, $R_L = 8\Omega$, $G_V = 34dB$, $R_g = 10k\Omega$, $BW = 20Hz \sim 20kHz$)
- Built in Audio Muting Circuit (Active→Low)
Main Amp / Surround Amp independent Control.
- Built in Various protection Circuits
Protection Circuit : Thermal Shut Down, Over Voltage, Out→GND Short.
- Operation Supply Voltage Range : $V_{CC(opr)} = 10 \sim 30V$ ($T_a = 25^\circ C$)

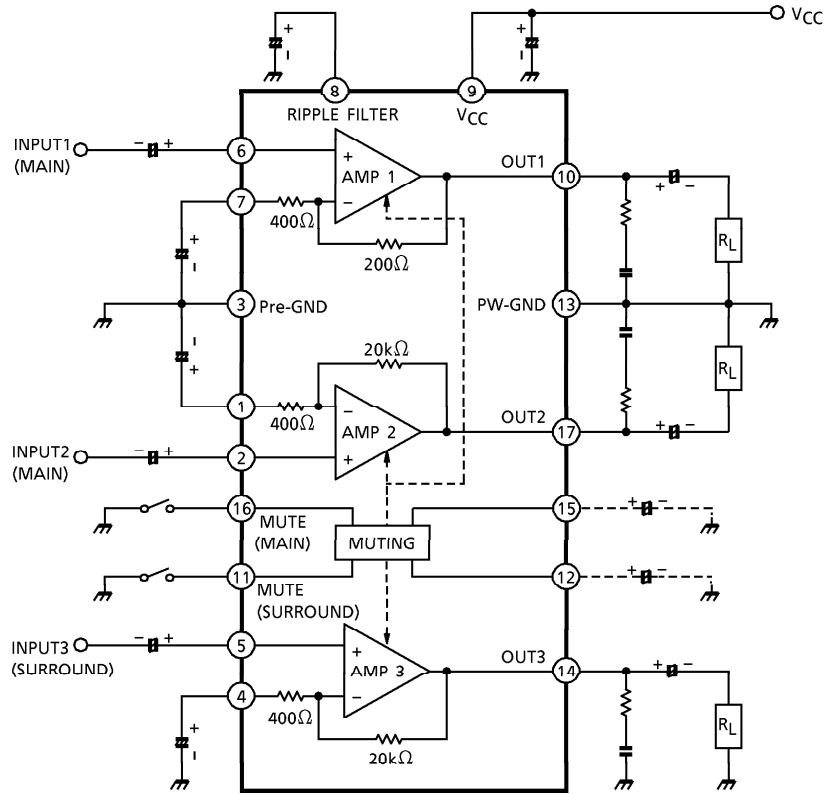


Weight : 9.8g (Typ.)

961001EBA2

- TOSHIBA is continually working to improve the quality and the reliability of its products. Nevertheless, semiconductor devices in general can malfunction or fail due to their inherent electrical sensitivity and vulnerability to physical stress. It is the responsibility of the buyer, when utilizing TOSHIBA products, to observe standards of safety, and to avoid situations in which a malfunction or failure of a TOSHIBA product could cause loss of human life, bodily injury or damage to property. In developing your designs, please ensure that TOSHIBA products are used within specified operating ranges as set forth in the most recent products specifications. Also, please keep in mind the precautions and conditions set forth in the TOSHIBA Semiconductor Reliability Handbook.
- The products described in this document are subject to foreign exchange and foreign trade control laws.
- The information contained herein is presented only as a guide for the applications of our products. No responsibility is assumed by TOSHIBA CORPORATION for any infringements of intellectual property or other rights of the third parties which may result from its use. No license is granted by implication or otherwise under any intellectual property or other rights of TOSHIBA CORPORATION or others.
- The information contained herein is subject to change without notice.

BLOCK DIAGRAM



MAXIMUM RATINGS (Ta = 25°C)

CHARACTERISTIC	SYMBOL	RATING	UNIT
Supply Voltage	V _{CC}	30	V
Output Current (Peak / CH)	I _{O (peak)}	2.0	V
Power Dissipation	P _D (Note)	50	W
Operating Temperature	T _{opr}	- 20~75	°C
Storage Temperature	T _{stg}	- 55~150	°C

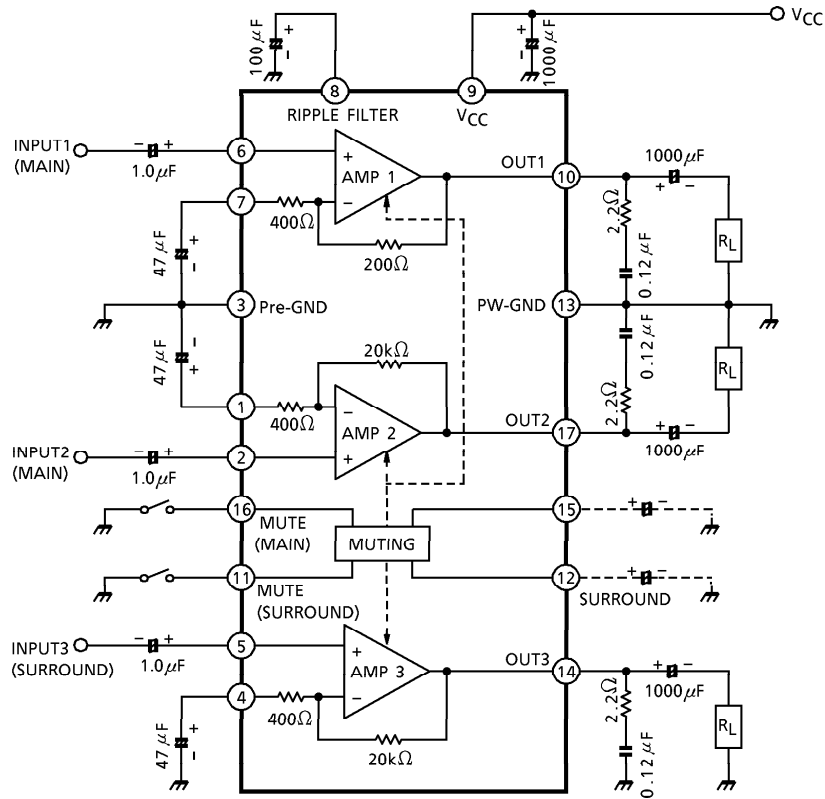
(Note) Derated above Ta = 25°C in the proportion of 400mW / °C.

ELECTRICAL CHARACTERISTICS

(Unless otherwise specified, V_{CC} = 20V, R_L = 8Ω, R_G = 600Ω, f = 1kHz, Ta = 25°C)

CHARACTERISTIC	SYMBOL	TEST CIR-CUIT	TEST CONDITION	MIN.	TYP.	MAX.	UNIT
Quiescent Current	I _{CCQ}	—	V _{in} = 0	40	90	160	mA
Output Power	P _{out} (1)	—	THD = 10%	5.0	6.0	—	W
	P _{out} (2)	—	THD = 1%	—	4.5	—	
Total Harmonic Distortion	THD	—	P _{out} = 2W	—	0.1	0.6	%
Voltage Gain	G _V	—	V _{out} = 0.775V _{rms} (0dBm)	32.5	34.0	35.5	dB
Input Resistance	R _{IN}	—	—	—	30	—	kΩ
Ripple Rejection Ratio	R.R.	—	R _G = 0, f _{ripple} = 100Hz V _{ripple} = 0.775V _{rms} (0dBm)	- 50	- 60	—	dB
Output Noise Voltage	V _{no}	—	R _G = 10kΩ, BW = 20Hz~20kHz	—	0.14	0.3	mV _{rms}
Cross Talk	C.T.	—	R _G = 0, V _{out} = 0.775V _{rms} (0dBm) Two channels input	—	- 60	—	dB
Muting Threshold Voltage	V _{TH} (OFF)	—	Mute ON ⑪ / ⑫pin	—	3.7	4.0	V
	V _{TH} (ON)	—	Mute OFF ⑪ / ⑫pin	2.5	2.8	—	
Muting Attenuation	ATT	—	V _{out} = 0.775V _{rms} → Mute Three channels input	- 52	- 60	—	dB

TEST CIRCUIT



- (*1) ⑩ / ⑪ PIN LOW : MUTE ON
 MUTE ON : $V_{TH} \text{ ⑩ / ⑪ } = 2.8V$ (Typ.) ($V_{CC} = 20V, T_a = 25^\circ C$)
 MUTE OFF : $V_{TH} \text{ ⑩ / ⑪ } = 3.7V$ (Typ.) ($V_{CC} = 20V, T_a = 25^\circ C$)
- (*2) The Capacitor for reducing Pop noise at mute ON.

