

Advance Information

The MRFIC Line

1.9 GHz GaAs Downconverter

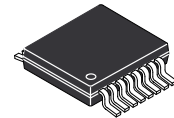
Designed primarily for use in wireless Personal Communication Systems (PCS) applications such as Digital European Cordless Telephone (DECT), Japan's Personal Handy System (PHS), and the emerging North American systems. The MRFIC1814 includes a low noise amplifier and downmixer in a low-cost TSSOP-16 package. The integrated circuit requires minimal off-chip matching while allowing for the maximum in flexibility and efficiency. The mixer is optimized for low-side injection and offers reasonable intercept point as well as high efficiency with 9 dB of conversion gain. Image filtering is implemented off-chip to allow maximum flexibility. CMOS compatible ENABLE pins allow standby operation where the current drain is less than 0.1 mA.

Together with the rest of the MRFIC180X series, this GaAs IC family offers the complete transmit and receive functions, less LO and filters, needed for a typical 1.8 GHz cordless telephone.

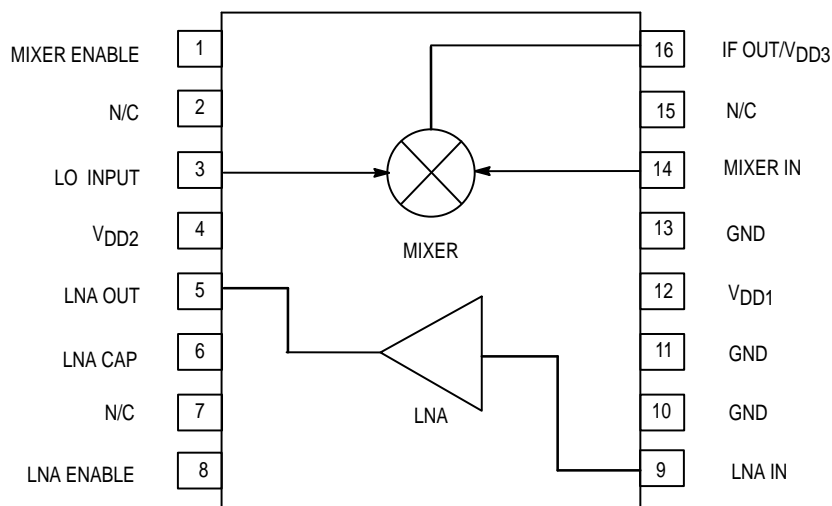
- Usable Frequency Range = 1.8 to 2.0 GHz
- 17 dB Typ Gain, 2.5 dB Typ Noise Figure LNA
- 8 dB Typ Gain, 10 dB Typ Noise Figure Mixer
- -5.5 dBm Typ Mixer Input Intercept Point
- Simple LO/IF Off-chip Matching for Maximum Flexibility
- Low Power Consumption = 39 mW (Typ)
- Single Bias Supply = 2.7 to 4.5 Volts
- Low LO Power Requirement = -5 dBm (Typ)
- Low Cost Surface Mount Plastic Package
- Order MRFIC1814R2 for Tape and Reel.
R2 Suffix = 2,500 Units per 16 mm, 13 inch Reel.
- Device Marking = M1814

MRFIC1814

1.8 GHz LOW NOISE AMPLIFIER AND DOWNMIXER



CASE 948C-03
(TSSOP-16)



Pin Connections and Functional Block Diagram

MAXIMUM RATINGS ($T_A = 25^\circ\text{C}$ unless otherwise noted)

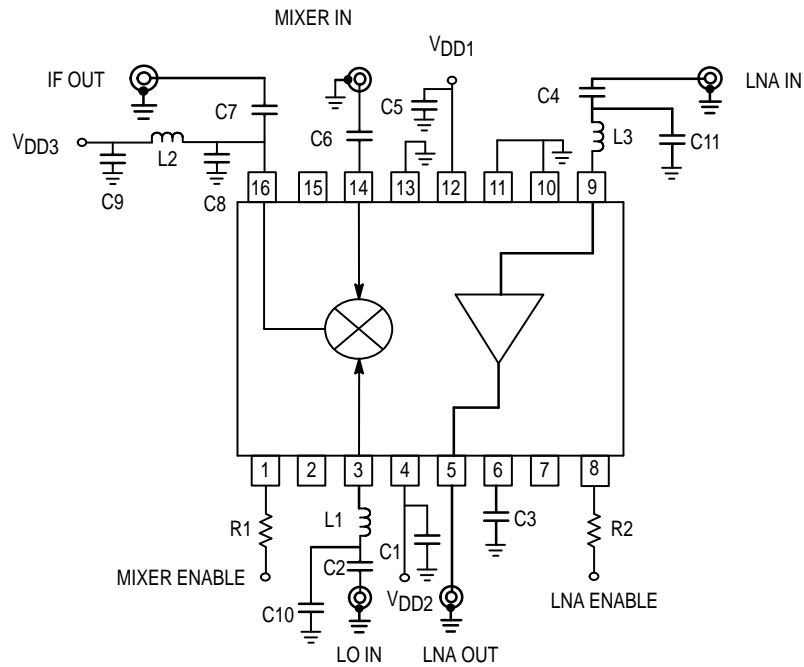
Rating	Symbol	Limit	Unit
Supply Voltage	V_{DD}	5.5	Vdc
LNA Input Power	LNA_{in}	10	dBm
LO Input Power	P_{LO}	10	dBm
Enable Voltage	ENABLE	5.5	Vdc
Storage Temperature Range	T_{stg}	-65 to +150	$^\circ\text{C}$
Operating Ambient Temperature	T_A	-30 to +85	$^\circ\text{C}$

RECOMMENDED OPERATING RANGES

Parameter	Symbol	Value	Unit
RF Input Frequency	f_{RF}	1.8 to 2.0	GHz
Mixer LO Frequency	f_{LO}	1.5 to 1.8	GHz
IF Output Frequency	f_{IF}	70 to 300	MHz
Supply Voltage	V_{DD}	2.7 to 4.5	Vdc
Enable Voltage, ON	MIXER, LNA ENABLE	2.7 to V_{DD}	Vdc
Enable Voltage, OFF	MIXER, LNA ENABLE	0 to 0.2	Vdc

ELECTRICAL CHARACTERISTICS ($V_{DD} = 3\text{ V}$, $T_A = 25^\circ\text{C}$, $LO = 1.65\text{ GHz @ } -5\text{ dBm}$, $RF = 1.9\text{ GHz @ } -30\text{ dBm}$, MIXER & LNA ENABLE = 3 V)

Characteristic	Min	Typ	Max	Unit
LNA Gain (LNA ENABLE = 3 V)	14	17	—	dB
LNA Gain (LNA ENABLE = 0 V)	—	-19	—	dB
LNA Noise Figure	—	2.5	—	dB
LNA Input 3rd Order Intercept	—	-7	—	dBm
LNA Output 1 dB Gain Compression Point	-6	-3	—	dBm
Mixer Conversion Gain (into 50 Ω)	5	8	—	dB
Mixer Noise Figure	—	10	—	dB
Mixer Input 3rd Order Intercept	—	-5	—	dBm
Mixer Output 1 dB Gain Compression Point	-8.5	-5.5	—	dBm
Total Supply Current (ENABLE VOLTAGES = 3.0 V, LO off)	—	10	17	mA
Total Supply Current (ENABLE VOLTAGES = 3.0 V, LO on)	—	13	—	mA
Standby Mode Current (ENABLE VOLTAGES = 0 V, LO off)	—	0.05	0.25	mA



C1, C2, C4	15 pF	C11	1.6 pF
C3	3 pF	L1	4.7 nH
C5	30 pF	L2	10 nH
C6, C8	10 pF	L3	3.9 nH
C7	12 pF	R1, R2	10 k Ω
C9	560 pF	BOARD MATERIAL GLASS/EPOXY, $\epsilon_r = 4.45$, 0.018 INCH DIELECTRIC THICKNESS	
C10	3.6 pF		

Figure 1. Applications Circuit Configuration for 250 MHz IF

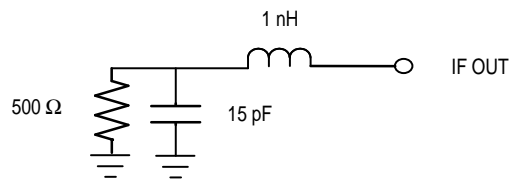
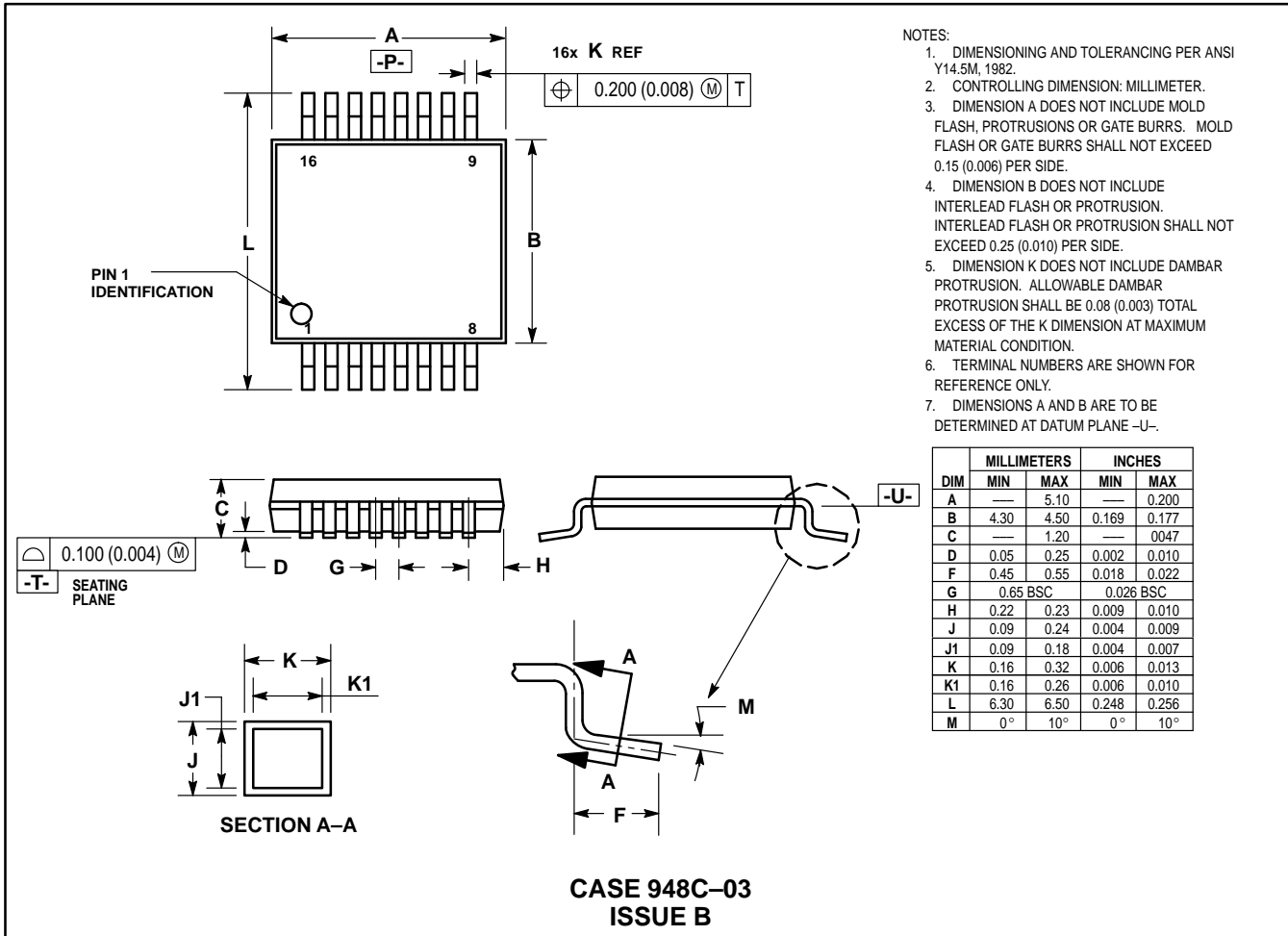


Figure 2. Equivalent IF Output Circuit

PACKAGE DIMENSIONS



Motorola reserves the right to make changes without further notice to any products herein. Motorola makes no warranty, representation or guarantee regarding the suitability of its products for any particular purpose, nor does Motorola assume any liability arising out of the application or use of any product or circuit, and specifically disclaims any and all liability, including without limitation consequential or incidental damages. "Typical" parameters which may be provided in Motorola data sheets and/or specifications can and do vary in different applications and actual performance may vary over time. All operating parameters, including "Typicals" must be validated for each customer application by customer's technical experts. Motorola does not convey any license under its patent rights nor the rights of others. Motorola products are not designed, intended, or authorized for use as components in systems intended for surgical implant into the body, or other applications intended to support or sustain life, or for any other application in which the failure of the Motorola product could create a situation where personal injury or death may occur. Should Buyer purchase or use Motorola products for any such unintended or unauthorized application, Buyer shall indemnify and hold Motorola and its officers, employees, subsidiaries, affiliates, and distributors harmless against all claims, costs, damages, and expenses, and reasonable attorney fees arising out of, directly or indirectly, any claim of personal injury or death associated with such unintended or unauthorized use, even if such claim alleges that Motorola was negligent regarding the design or manufacture of the part. Motorola and are registered trademarks of Motorola, Inc. Motorola, Inc. is an Equal Opportunity/Affirmative Action Employer.

Mfax is a trademark of Motorola, Inc.

How to reach us:

USA/EUROPE/Locations Not Listed: Motorola Literature Distribution;
P.O. Box 5405, Denver, Colorado 80217. 1-303-675-2140 or 1-800-441-2447

JAPAN: Nippon Motorola Ltd.: SPD, Strategic Planning Office, 4-32-1,
Nishi-Gotanda, Shinagawa-ku, Tokyo 141, Japan. 81-3-5487-8488

Customer Focus Center: 1-800-521-6274

Mfax™: RMFAX0@email.sps.mot.com – TOUCHTONE 1-602-244-6609
Motorola Fax Back System – US & Canada ONLY 1-800-774-1848
– http://sps.motorola.com/mfax/

ASIA/PACIFIC: Motorola Semiconductors H.K. Ltd.; 8B Tai Ping Industrial Park,
51 Ting Kok Road, Tai Po, N.T., Hong Kong. 852-26629298

HOME PAGE: <http://motorola.com/sps/>

