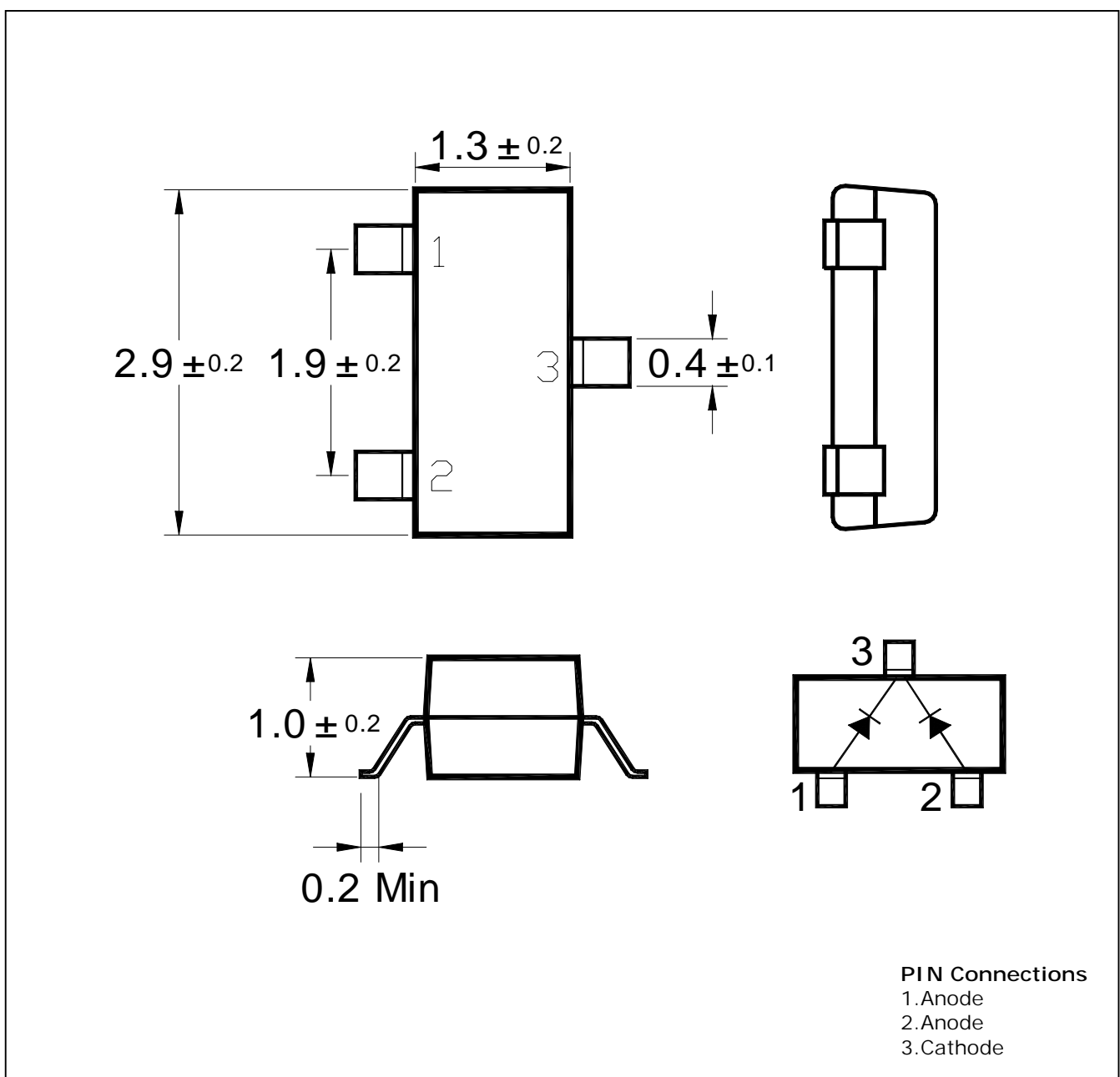


**Features**

- Compact type
- Radiation size 1.3mm × 2.9mm
- Radiation color (Red, Green)
- Surface mount lead configuration

**Outline Dimensions**

unit : mm



## Absolute maximum ratings

Characteristic	Symbol	Ratings	Unit
Power Dissipation	$P_D$	55	mW
Forward Current	$I_F$	30	mA
*1Peak Forward Current	$I_{FP}$	50	mA
Reverse Voltage	$V_R$	4	V
Operating Temperature	$T_{opr}$	-25 85	
Storage Temperature	$T_{stg}$	-30 100	
*2Soldering Temperature	$T_{sol}$	240 for 5 seconds	

\*1.Duty ratio = 1/16, Pulse width = 0.1ms

\*2.Recommended soldering condition ⇒ Attached

## Electrical Characteristics

Characteristic	Symbol	Test Condition	Min.	Typ.	Max.	Unit
Forward Voltage	$V_F$	$I_F = 20\text{mA}$	-	2.0	2.7	V
			-	2.1	2.8	
Luminous Intensity	$I_V$	$I_F = 20\text{mA}$	-	6	-	mcd
			-	10	-	
Peak Wavelength	$\lambda_p$	$I_F = 20\text{mA}$	-	630	-	nm
			-	570	-	
Spectrum Bandwidth		$I_F = 20\text{mA}$	-	35	-	nm
			-	30	-	
Reverse Current	$I_R$	$V_R = 4\text{V}$	-	-	10	uA
*3Half angle	$\theta_{1/2}$	$I_F = 20\text{mA}$	-	±80	-	deg

\*3.  $\theta_{1/2}$  is the off-axis angle where the luminous intensity is 1/2 the peak intensity

Characteristic Diagrams

Fig. 1  $I_F - V_F$

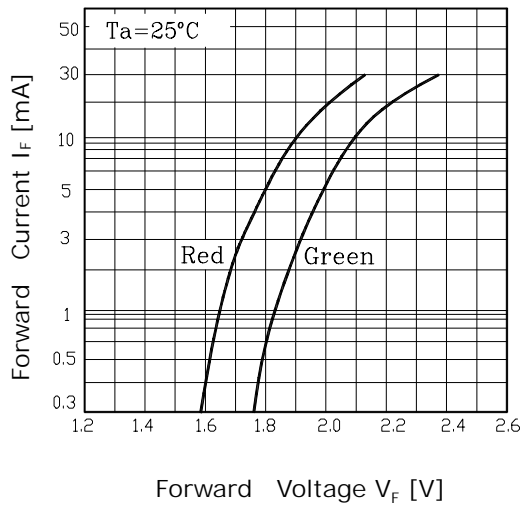


Fig. 2  $I_V - I_F$

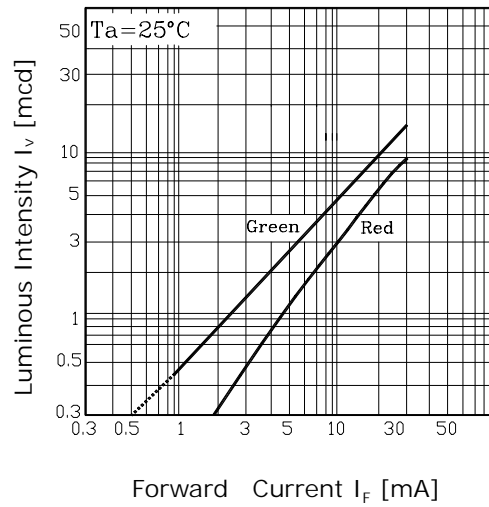


Fig. 3  $I_F - T_a$

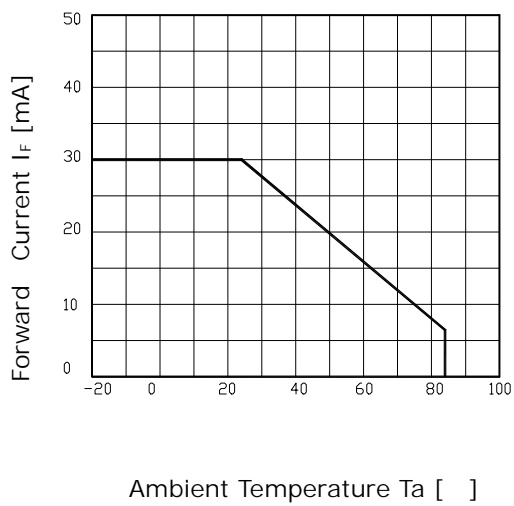


Fig.4 Spectrum Distribution

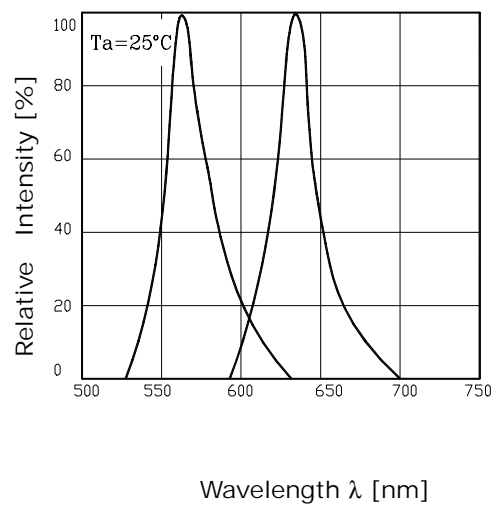


Fig. 5 Radiation Diagram

