

## 7A Ultra Dropout Voltage Regulator

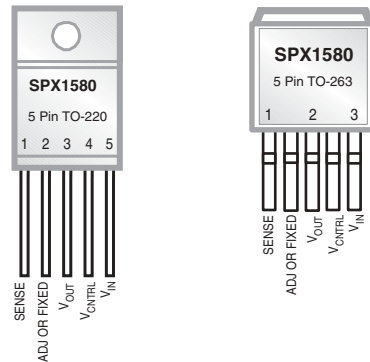
*Fast Response, Adjustable & Fixed*

### FEATURES

- Low Dropout Voltage 540mV at 7A Full Load Current
- Adjustable Output Down to 1.25V from ATX Power Supply
- Fixed Output Voltages of 3.3V and 2.5V
- Extremely Tight Load and Line Regulation
- Standard 5-Terminal Low Cost TO-220 and TO-263
- Replacement to Industry Standard LT1580

### APPLICATIONS

- 3.3V ATX Power Supplies
- 3.3V to 2.9V for Portable PENTIUM™ Processor
- 5V to 3.5V VRE Supply
- High efficiency "Green" Computer Systems



*Now Available in Lead Free Packaging*

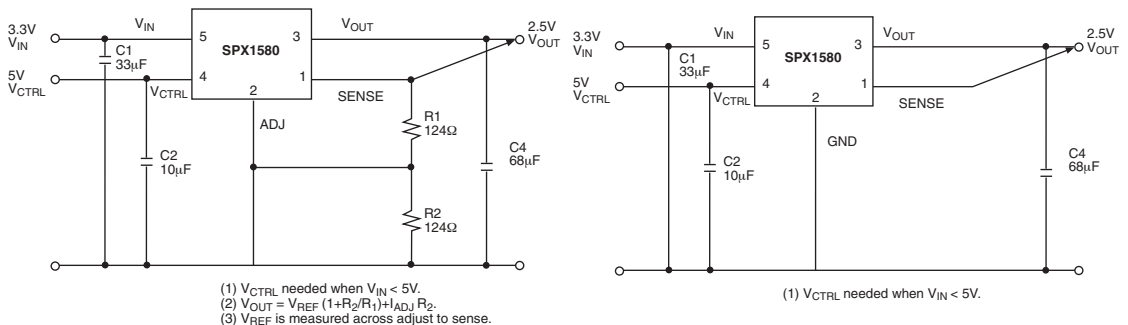
### DESCRIPTION

The SPX1580 is a 7A Low Dropout Regulator with extremely low dropout voltage. The adjustable version requires only two external resistors to set the output voltage. The fixed version has a preset output of 3.3V or 2.5V and does not require any external resistors. The SPX1580 features a low dropout of 540mV(Typ.) and offers fast transient response. This device is suitable for Pentium applications requiring 2.5V from 3.3V ATX power supplies, where a low current input voltage 1V greater than the output voltage is available. With an external sense pin the load regulation is less than 1mV. This device is an excellent choice for the use of powering low voltage microprocessors that require a lower dropout, fast transient response to regulate from 3.3V and 5V supplies. The SPX1580 is also an excellent choice as a post regulator for switching supplies applications.

The SPX1580 offers protection against over-current faults, reversed input polarity, over temperature operation and positive and negative transient voltage.

The SPX1580 is offered in a 5 pin TO-220 and TO-263 compatible with industry standard 5-terminal regulators. For 5A, 3A and 1.5A ultra low dropout versions refer to SPX1581, SPX1582 and SPX1583 data sheets respectively.

### TYPICAL APPLICATIONS CIRCUITS



## ABSOLUTE MAXIMUM RATINGS

Power Dissipation ..... Internally Limited  
 Lead Temp. (Soldering, 10 Seconds) ..... 300°C  
 Storage Temperature Range ..... -65°C to +150°C  
 Operating Junction Temperature Range  
 SPX1580 Control Section ..... 0°C to +125°C  
 SPX1580 Power Transistor ..... 0°C to +150°C

Input Supply Voltage ..... 7V  
 $V_{CTRL}$  Input Voltage ..... 13.2V

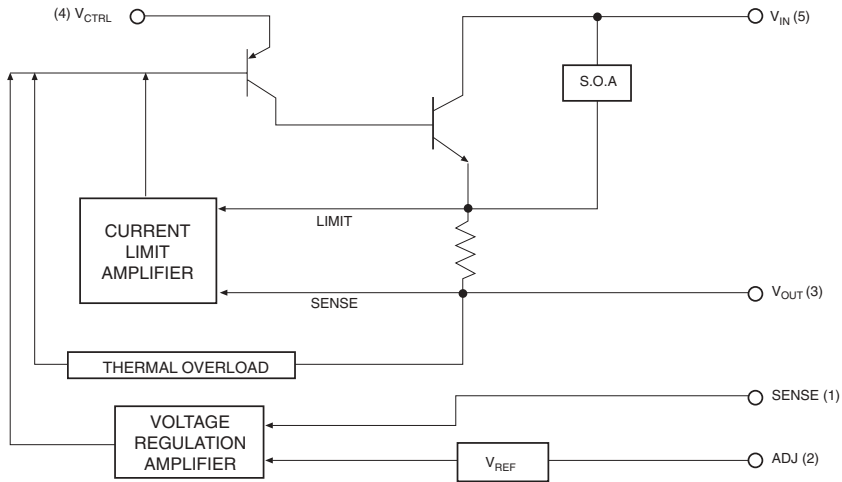
## ELECTRICAL CHARACTERISTICS

Electrical characteristics at  $V_{OUT} = V_{SENSE}$ ,  $V_{ADJ} = 0V$ ,  $T_A = 25^\circ C$ ,  $C_{CTL} = C_{PWR} = C_{OUT} = 33\mu F$  tantalum cap unless otherwise specified. The  $\blacklozenge$  denotes the specifications which apply over the  $-40^\circ C$  to  $85^\circ C$  temperature range, unless otherwise specified.

PARAMETER	MIN.	TYP.	MAX.	UNITS		CONDITIONS
<b>2.5V Version</b>						
Output Voltage	2.45	2.5	2.55	V	$\blacklozenge$	$V_{CTRL} = 4.5V$ to 12V, $V_{IN} = V_{OUT} + 0.8V$ , $I_O = 10mA$ to 7A
	2.40	2.5	2.60			
<b>3.3V Version</b>						
Output Voltage	3.234	3.3	3.366	V	$\blacklozenge$	$V_{CTRL} = 4.5V$ to 12V, $V_{IN} = V_{OUT} + 0.8V$ , $I_O = 10mA$ to 7A
	3.168	3.3	3.432			
<b>All Voltage Options</b>						
Reference Voltage (Note 3)	1.237	1.25	1.263	V	$\blacklozenge$	$V_{CTRL} = 4.5V$ , $V_{IN} = 2.05V$ , $I_O = 10mA$
	1.231	-	1.269			
Line Regulation	-	1.0	-	mV	$\blacklozenge$	$V_{CTRL} = 4.5V$ to 12V, $V_{IN} = V_{OUT} + 0.8V$ to 5.5V, $I_O = 10mA$
	-	-	3.0			
Load Regulation (Note 1)	-	1.1	-	mV	$\blacklozenge$	$V_{CTRL} = 4.5V$ to 12V, $V_{IN} = V_{OUT} + 0.8V$ , $I_O = 10mA$
	-	-	5.0			
Dropout Voltage Minimum $V_{IN}$ (Note 2) ( $V_{IN} - V_{OUT}$ )		0.54	0.80	V		$V_{CTRL} = 4.75V$ , $I_O = 7A$
Current Limit	7.1	-	-	A		$V_{CTRL} = 4.5V$ , $V_{IN} = 2.05V$ , $V_{OUT} = 100mV$
Minimum Load Current	-	5	-	mA	$\blacklozenge$	$V_{CTRL} = 5V$ , $V_{IN} = V_{OUT} + 0.8V$
	-	-	10			
Thermal Regulation	-	0.002	0.02	%/W		30mS Pulse
Ripple Rejection	60	80	-	dB		$V_{CTRL} = 5V$ , $V_{IN} = 5V$ , $I_O = 7A$
Control Pin Current	-	60	-	mA	$\blacklozenge$	$V_{CTRL} = 4.5V$ , $V_{IN} = V_{OUT} + 0.8V$ , $I_O = 7A$
	-	-	130			
Adjustable Pin Current	-	50	-	$\mu A$	$\blacklozenge$	$V_{CTRL} = 4.5V$ , $V_{IN} = 2.05V$ , $I_O = 10mA$
			120			
Thermal Resistance TO-220 & TO-263	-	2	-	$^\circ C/W$		Junction to Case ( $Q_{JC}$ )
	-	60	-			Junction to Ambient ( $Q_{JA}$ )

Pin Number	Pin Name	DESCRIPTION
1	SENSE	Allows Kelvin sense of $V_{OUT}$ at load. (Positive side of the reference voltage of the device)
2	ADJ	Negative side of the reference voltage for the device. Adding a small bypass capacitor from ADJ pin to ground will improve the transient response.
3	$V_{OUT}$	Power output of the device.
4	$V_{CTRL}$	Supply pin for the control circuitry of the device. The current flow into this pin will be about 1% of the output current. $V_{CTRL}$ must be between 0.1V and 1.3V greater than the output voltage for the device to regulate.
5	$V_{IN}$	Output load current is supplied through this pin. $V_{IN}$ must be between 0.1V and 0.8V greater than the output voltage for this device to regulate.

BLOCK DIAGRAM



APPLICATION INFORMATION

The SPX1580 is designed as a high performance and low cost solution for application requiring a lower dropout than traditional NPN regulators.

The SPX1580 uses a separate input voltage  $V_{CTRL}$  ( $V_{CTRL} \geq V_{OUT} + 1.3V$ ) to minimize the dropout voltage. This allows the 2.5V power for the load to come from a 3.3V system supply. As added benefit this will reduce the heat dissipation\*, and lower heatsink and cooling fan cost.

A typical application would use 3.3V for  $V_{IN}$  and 5.0V for  $V_{CTRL}$  from a motherboard power supply to provide a nominal 2.5V output. Using the sense pin allows Kelvin measure the output, reducing resistance-associated errors.

The SPX1580 can power the 2.5V core voltage for microprocessors such as a PentiumPC™, P55C™, AMD5k86™ and K6™ and the IBM PowerPC™ 603EV and 604EV processors.

### Output Capacitor

An output capacitor for SPX1580 is for circuit compensation for the device to prevent oscillation. The minimum size of the output capacitor is either a 330 $\mu$ F aluminum electrolytic capacitor or 33 $\mu$ F tantalum. Larger capacitor values improve the regulator transient response performance and increase surge load capability. The output capacitor should have an ESR not more than 0.3 $\Omega$ .

### Adjustable Regulator Design

1.25V reference voltage is being developed between the SENSE pin and the ADJ pin of the SPX1580. Adding two external resistors (see fig 1.) will allow setting the output voltage from 1.25V to 6V. R<sub>1</sub> is chosen so that this current is specified minimum load current of 10mA. R<sub>2</sub> is given by the formula:  $V_{OUT} = V_{REF} (1 + R_2/R_1) + I_{ADJ} R_2$ . The current flowing from the ADJ pin is typically 50 $\mu$ A. This ADJ pin contributes to the final V<sub>OUT</sub> but is usually neglected. Connecting the sense pin to the top of the resistor divider will improve load regulation.

### Lowering Noise

Using the SENSE pin to Kelvin the load will increase accuracy of the output voltage during load regulation. For the fixed voltage device, adding a bypass capacitor from ADJ pin to ground improves transient response. A 330pF ceramic capacitor is recommended.

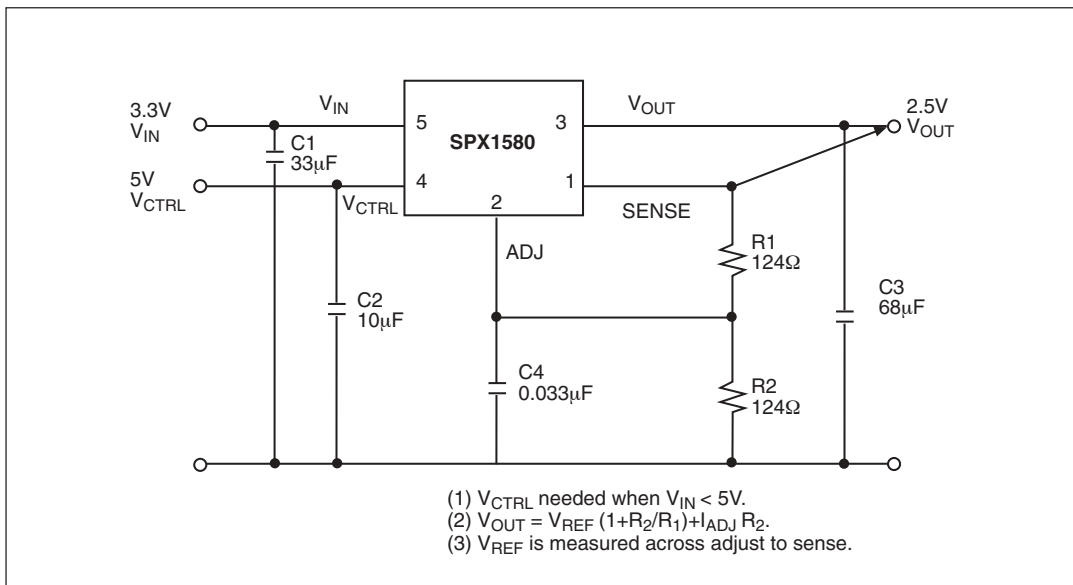


Figure 1. Adjustable Regulator.

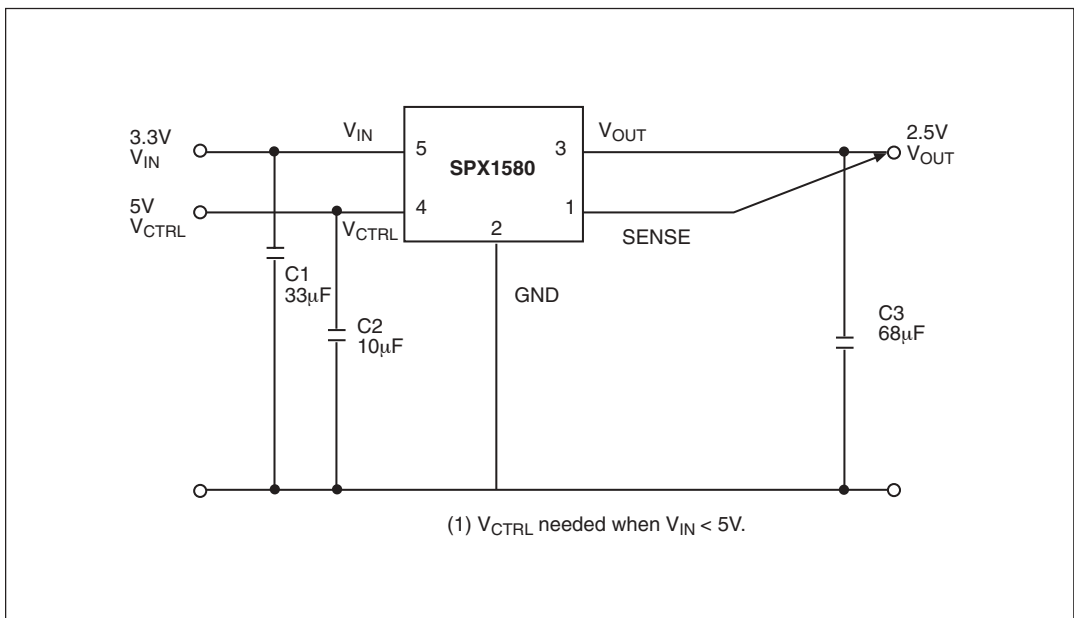
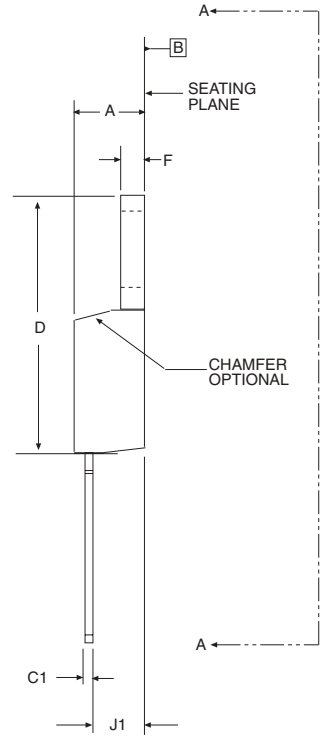
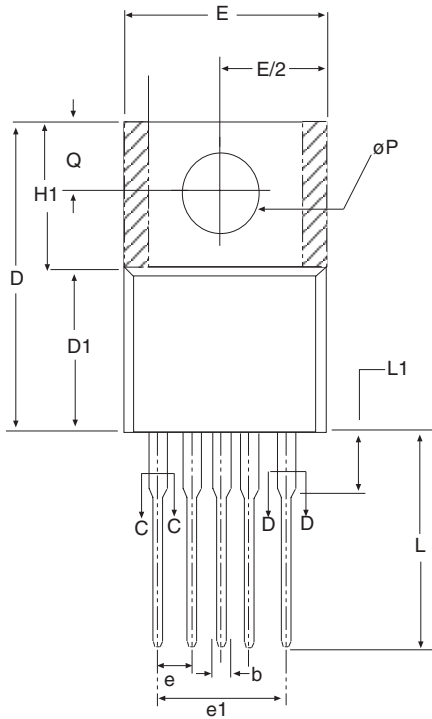
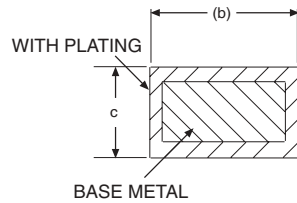
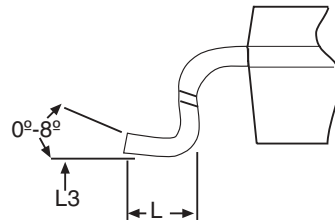
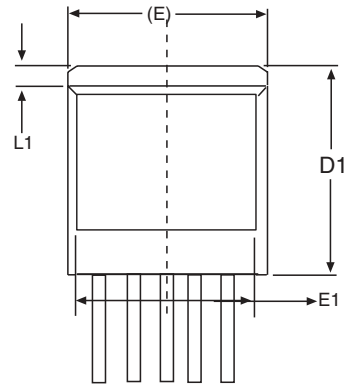
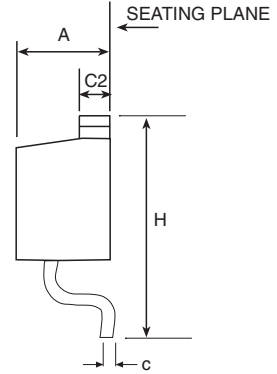
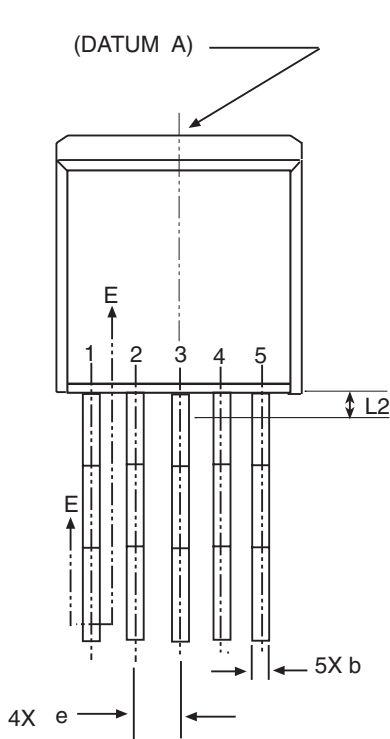


Figure 2. Typical Fixed Regulator.



5 PIN TO-220	Dimensions in (inches)		
	MIN	NOM	MAX
A	.160	-	.190
b	.015	-	.040
C1	.014	-	.022
D	.560	-	.590
E	.385	-	.415
e	.385	-	.415
e1	.062	-	.072
F	.045	-	.055
H1	.234	-	.258
J1	.090	-	.115
L	.540	-	.560
L1		-	.250
$\Delta P$	.146	-	.156
Q	.103	-	.113
U	-	.30	-
V	-	.24	-

5 PIN TO-220



5 PIN TO-263 JEDEC TO-263 (BB) Variation	Dimensions in (mm)		
	MIN	NOM	MAX
A	.160	-	.190
A1	0	-	.010
b	.020	-	.039
c	.015	-	.029
c2	.045	-	.023
D1	.270	-	-
E	.380	-	.420
E1	.245	-	-
e	.067 BSC		
H	.575	-	.625
L	.070	-	.110
L1	-	-	.066
L2	-	-	.070
L3	.010 BSC		

**5 PIN TO-263**

<b>Part Number</b>	<b>Operating Temperature Range</b>	<b>Package Type</b>
SPX1580U5 .....	-40°C to +85°C .....	5 Pin TO-220
SPX1580U5-2.5 .....	-40°C to +85°C .....	5 Pin TO-220
SPX1580U5-3.3 .....	-40°C to +85°C .....	5 Pin TO-220
SPX1580T5 .....	-40°C to +85°C .....	5 Pin TO-263
SPX1580T5/TR .....	-40°C to +85°C .....	5 Pin TO-263
SPX1580T5-2.5 .....	-40°C to +85°C .....	5 Pin TO-263
SPX1580T5-2.5/TR .....	-40°C to +85°C .....	5 Pin TO-263
SPX1580T5-3.3 .....	-40°C to +85°C .....	5 Pin TO-263
SPX1580T5-3.3/TR .....	-40°C to +85°C .....	5 Pin TO-263

Available in lead free packaging. To order add "-L" suffix to part number.

Example: SPX1582T5-3.3/TR = standard; SPX1580T5-L-3.3/TR = lead free

/TR = Tape and Reel

Pack quantity is 500 for TO-263.



**ANALOG EXCELLENCE**

**Sipex Corporation**

**Headquarters and  
Sales Office**  
233 South Hillview Drive  
Milpitas, CA 95035  
TEL: (408) 934-7500  
FAX: (408) 935-7600

Sipex Corporation reserves the right to make changes to any products described herein. Sipex does not assume any liability arising out of the application or use of any product or circuit described herein; neither does it convey any license under its patent rights nor the rights of others.