

DESCRIPTION

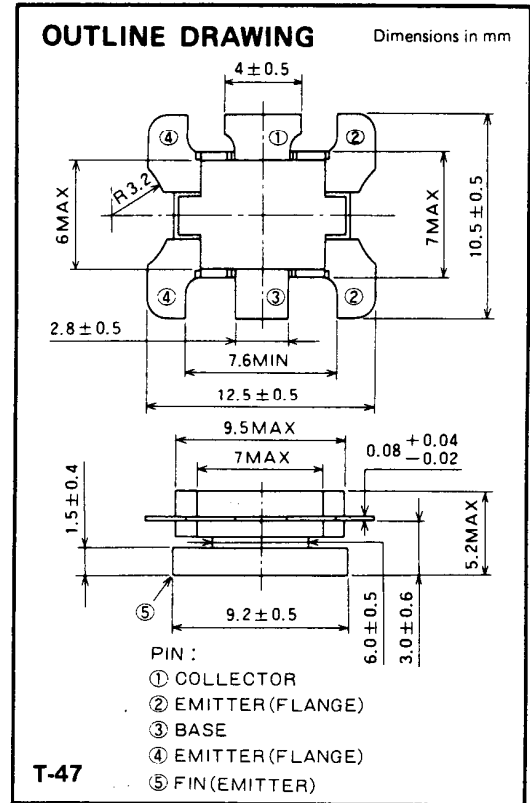
2SC4167 is a silicon NPN epitaxial planar type transistor specifically designed for UHF power amplifiers applications.

FEATURES

- High power gain: $G_{pe} \geq 7.6\text{dB}$
@ $V_{CC} = 12.5\text{V}$, $f = 520\text{MHz}$, $P_{in} = 1.2\text{W}$.
- Emitter ballasted construction.
- High ruggedness: Ability to withstand more than 20:1 load VSWR when operated at $V_{CC} = 15.2\text{V}$, $f = 520\text{MHz}$, $P_O = 7\text{W}$.
- Flange type ceramic package.
- $Z_{in} = 2.2 + j3.1\Omega$,
 $Z_{out} = 6 - j1.0\Omega$ @ $V_{CC} = 12.5\text{V}$, $f = 520\text{MHz}$, $P_O = 7\text{W}$.

APPLICATION

For output stage of 5W power amplifiers and drive stage of higher power amplifiers in UHF band.



ABSOLUTE MAXIMUM RATINGS ($T_C = 25^\circ\text{C}$)

Symbol	Parameter	Conditions	Ratings	Unit
V_{CBO}	Collector to base voltage		35	V
V_{EBO}	Emitter to base voltage		4	V
V_{CEO}	Collector to emitter voltage	$R_{BE} = \infty$	17	V
I_C	Collector current		2	A
P_C	Collector dissipation	$T_C = 25^\circ\text{C}$	20	W
T_j	Junction temperature		175	$^\circ\text{C}$
T_{stg}	Storage temperature		-55 to 175	$^\circ\text{C}$

Note. Above parameters are guaranteed independently.

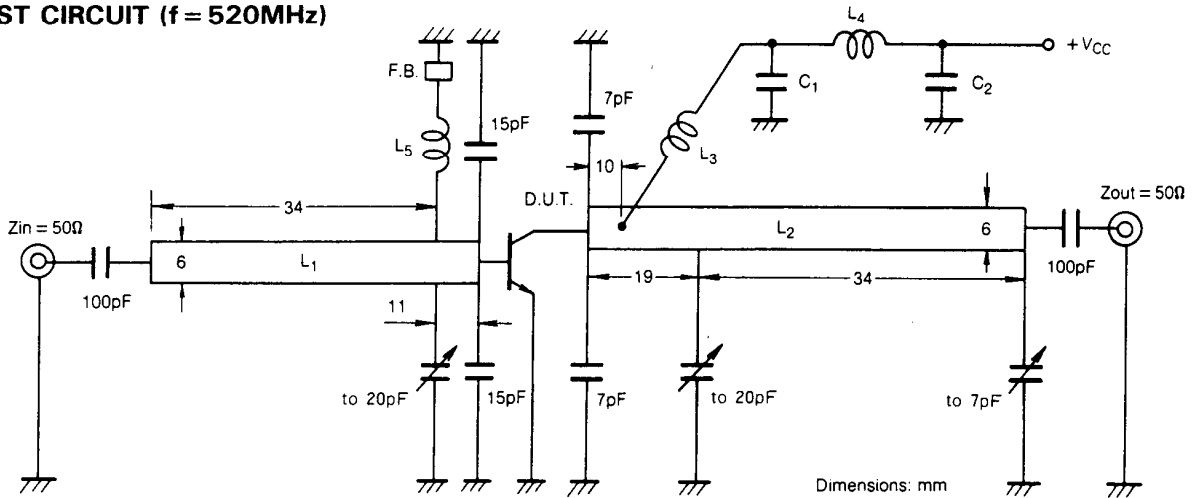
ELECTRICAL CHARACTERISTICS ($T_C = 25^\circ\text{C}$)

Symbol	Parameter	Test conditions	Limits			Unit
			Min	Typ	Max	
V_{BRIEBO}	Emitter to base breakdown voltage	$I_E = 5\text{mA}$, $I_C = 0$	4			V
V_{BRICBO}	Collector to base breakdown voltage	$I_C = 10\text{mA}$, $I_E = 0$	35			V
V_{BRICEO}	Collector to emitter breakdown voltage	$I_C = 50\text{mA}$, $R_{BE} = \infty$	17			V
I_{CBO}	Collector cut off current	$V_{CB} = 15\text{V}$, $I_E = 0$			500	μA
I_{EBO}	Emitter cut off current	$V_{EB} = 3\text{V}$, $I_C = 0$			500	μA
h_{FE}	DC forward current gain *	$V_{CE} = 10\text{V}$, $I_C = 0.1\text{A}$	10	50	180	-
P_O	Power Output	$V_{CC} = 12.5\text{V}$, $P_{in} = 1.2\text{W}$, $f = 520\text{MHz}$	7	8		W
η_C	Collector efficiency		50	60		%

Note. * Pulse test, $P_w = 150\mu\text{s}$, duty = 5%.

Above parameters, ratings, limits and conditions are subject to change.

TEST CIRCUIT (f = 520MHz)



L₁, L₂: Microstrip: Board Material 1.6mm Thick, glass-epoxy $\epsilon_r = 2.7$

L₃: 3 Turns AWG #20, 5mm I.D.

L₄: 6 Turns AWG #20, 5mm I.D.

L₅: 10 Turns AWG #26 Enamelled Wire on 4mm O.D., 14mm Length Bakelite.

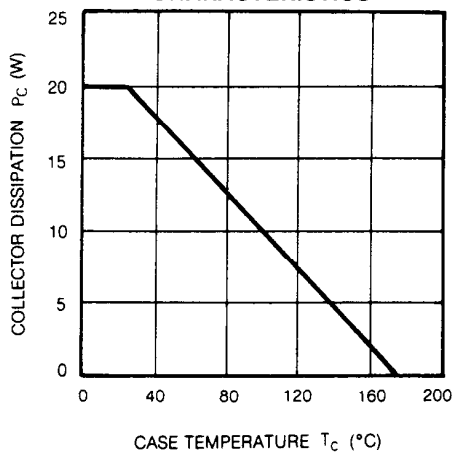
F.B.: Ferrite Bead

C₁: 82pF, 220pF, 4700pF, 10 μ F in parallel

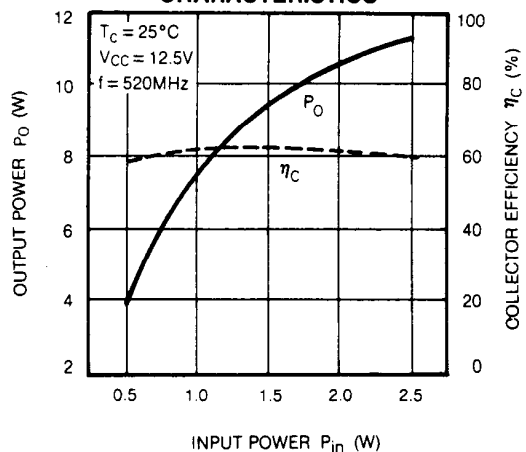
C₂: 82pF, 220pF, 10 μ F in parallel

TYPICAL PERFORMANCE DATA

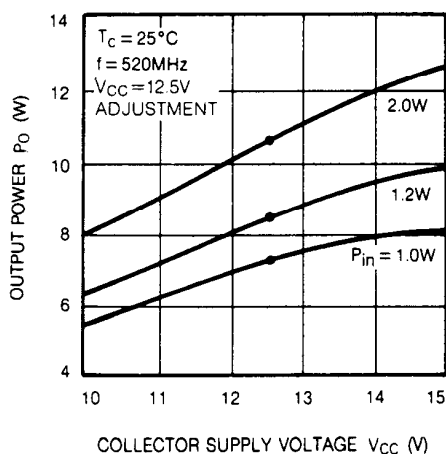
COLLECTOR DISSIPATION VS. CASE TEMPERATURE CHARACTERISTICS



OUTPUT POWER, COLLECTOR EFFICIENCY VS. INPUT POWER CHARACTERISTICS



OUTPUT POWER VS. COLLECTOR SUPPLY VOLTAGE CHARACTERISTICS



COLLECTOR OUTPUT CAPACITANCE VS. COLLECTOR TO BASE VOLTAGE CHARACTERISTICS

