

2SC5518

Silicon NPN triple diffusion mesa type

For horizontal deflection output

Features

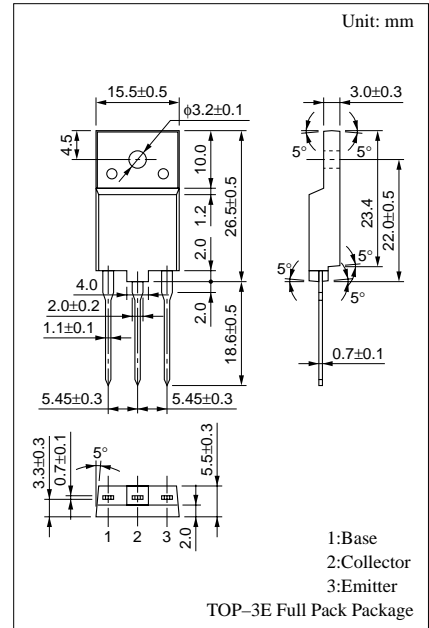
- High breakdown voltage, and high reliability through the use of a glass passivation layer
- High-speed switching
- Wide area of safe operation (ASO)

Absolute Maximum Ratings ($T_C=25^\circ\text{C}$)

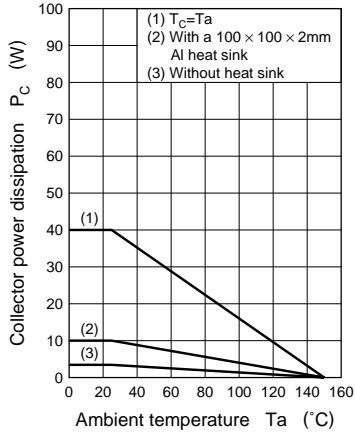
Parameter	Symbol	Ratings	Unit
Collector to base voltage	V_{CBO}	1500	V
Collector to emitter voltage	V_{CES}	1500	V
Emitter to base voltage	V_{EBO}	5	V
Peak collector current	I_{CP}	14	A
Collector current	I_C	7	A
Base current	I_B	3.5	A
Collector power dissipation	P_C	40	W
		3	
Junction temperature	T_j	150	$^\circ\text{C}$
Storage temperature	T_{stg}	-55 to +150	$^\circ\text{C}$

Electrical Characteristics ($T_C=25^\circ\text{C}$)

Parameter	Symbol	Conditions	min	typ	max	Unit
Collector cutoff current	I_{CBO}	$V_{CB} = 1000\text{V}, I_E = 0$			50	μA
		$V_{CB} = 1500\text{V}, I_E = 0$			1	mA
Emitter to base voltage	V_{EBO}	$I_E = 500\text{mA}, I_C = 0$	5			V
Forward current transfer ratio	h_{FE}	$V_{CE} = 5\text{V}, I_C = 5\text{A}$	5		10	
Collector to emitter saturation voltage	$V_{CE(sat)}$	$I_C = 5\text{A}, I_B = 1\text{A}$			3	V
Base to emitter saturation voltage	$V_{BE(sat)}$	$I_C = 5\text{A}, I_B = 1\text{A}$			1.5	V
Transition frequency	f_T	$V_{CE} = 10\text{V}, I_C = 0.1\text{A}, f = 0.5\text{MHz}$		3		MHz
Storage time	t_{stg}	$I_C = 5\text{A}, I_{B1} = 1\text{A}, I_{B2} = -2\text{A}$			5.0	μs
Fall time	t_f				0.5	μs
Diode forward voltage	V_F	$I_F = 5\text{A}$			-2	V



P_C — T_a



Area of safe operation, horizontal operation ASO

