

TD6347S

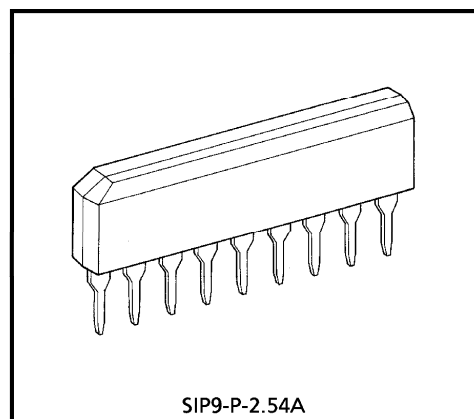
CONVENTIONAL TIMER

The TD6347S is an automotive I²L monolithic timer. It is a long-term timer superior in voltage and temperature characteristics. It produces an NPN transistor open-collector output.

The IC has three inputs : start/reset and two modes, so that it can be used in a variety of application fields.

FEATURES

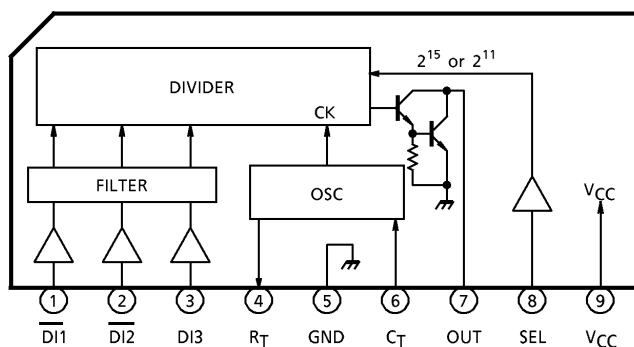
- Small standby current : 1mA
- 3 inputs : start/reset and two modes
- Power-on reset function incorporated
- Good voltage characteristics : ±0.05% / V
- Good temperature characteristics : ±0.02% / °C
- Output current/output withstand voltage : 250mA / 30V



SIP9-P-2.54A

Weight : 0.92g (Typ.)

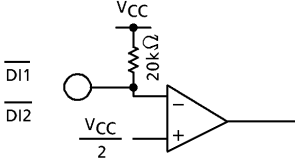
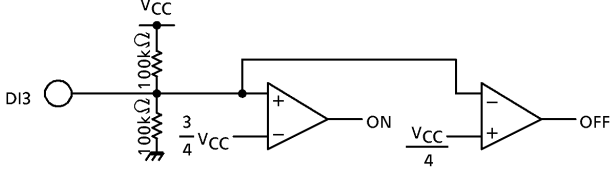
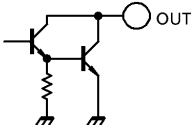
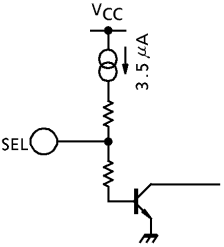
BLOCK DIAGRAM AND PIN LAYOUT



961001EBA2

- TOSHIBA is continually working to improve the quality and the reliability of its products. Nevertheless, semiconductor devices in general can malfunction or fail due to their inherent electrical sensitivity and vulnerability to physical stress. It is the responsibility of the buyer, when utilizing TOSHIBA products, to observe standards of safety, and to avoid situations in which a malfunction or failure of a TOSHIBA product could cause loss of human life, bodily injury or damage to property. In developing your designs, please ensure that TOSHIBA products are used within specified operating ranges as set forth in the most recent products specifications. Also, please keep in mind the precautions and conditions set forth in the TOSHIBA Semiconductor Reliability Handbook.
- The products described in this document are subject to foreign exchange and foreign trade control laws.
- The information contained herein is presented only as a guide for the applications of our products. No responsibility is assumed by TOSHIBA CORPORATION for any infringements of intellectual property or other rights of the third parties which may result from its use. No license is granted by implication or otherwise under any intellectual property or other rights of TOSHIBA CORPORATION or others.
- The information contained herein is subject to change without notice.

PIN DESCRIPTION

PIN No.	SYMBOL	DESCRIPTION
1	$\overline{DI1}$	<p>Connected to the input switch. When this pin is grounded, the IC accepts the input, and the output is reversed. The input circuit is as follows :</p> 
2	$\overline{DI2}$	<p>When this pin is grounded, the IC is reset. The input circuit construction is the same as that of $\overline{DI1}$.</p>
3	DI3	<p>When the input switch is connected and this pin is grounded, the output turns off. When this pin is connected to V_{CC}, the output turns on. The input circuit is as follows :</p> 
4	R_T	<p>The resistor for basic clock oscillation is connected between this pin and pin 6.</p>
5	GND	<p>Grounded</p>
6	C_T	<p>The capacitor for basic clock oscillation is connected to this pin. The clock frequency T is determined by external resistor R and capacitor C as follows : $T \text{ (ms)} = 1.75C \text{ (}\mu\text{F)} R \text{ (k}\Omega\text{)}$ The time constant of the input filter consisting of $\overline{DI1}$, $\overline{DI2}$, and DI3 is four times the basic clock period.</p>
7	OUT	<p>Output pin. The circuit is shown at right.</p> 
8	SEL	<p>Timer time select pin. When this pin is open, the timer time is $32768 (2^{15})$ times the clock period. When it is grounded, the timer time is $2048 (2^{11})$ times the clock period. The input circuit is as follows :</p> 
9	V_{CC}	<p>Power supply pin</p>

TRUTH TABLE

(1) Input Switch

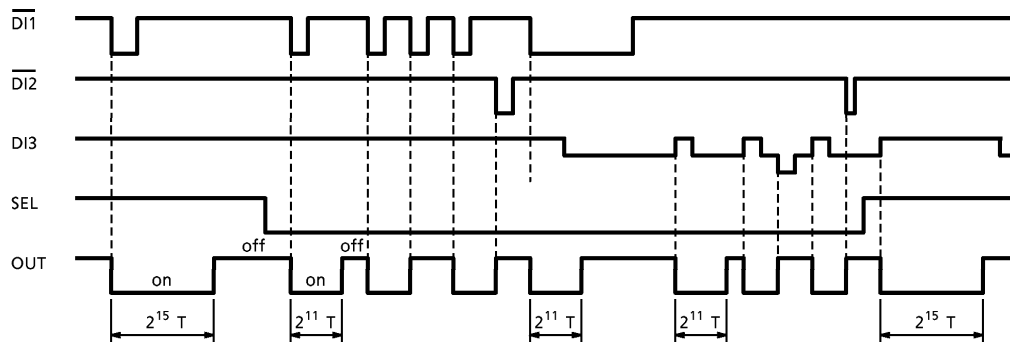
Input			Output
$\overline{DI1}$	$\overline{DI2}$	DI3	
	H	H or M	Inversion
H	H		ON
H	H	L	OFF
don't care	L	don't care	OFF

(2) Timer Time

SEL	Timer Time
H	$2^{15} T$ ※
L	$2^{11} T$ ※

※ $T = 1.75 CR$

TIMING CHART



MAXIMUM RATINGS (Ta = 25°C)

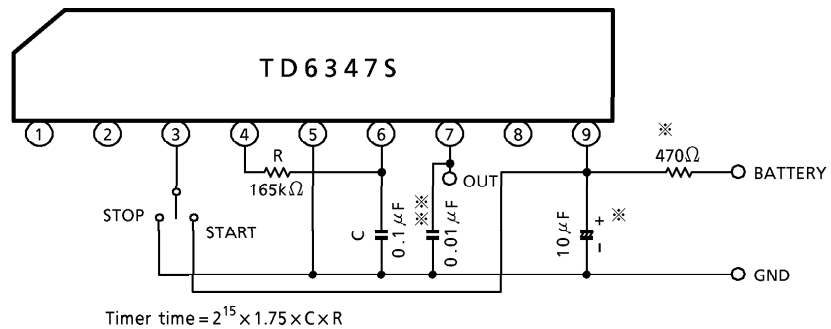
CHARACTERISTIC	SYMBOL	RATING	UNIT
Supply Voltage	V _{CC}	30	V
Output Current	I _{OUT}	250	mA
Output Voltage	V _{OUT}	30	V
Operating Voltage	V _{opr}	5 to 16	V
Power Dissipation	P _D	500	mW
Operating Temperature	T _{opr}	-40 to 85	°C
Storage Temperature	T _{stg}	-55 to 150	°C

ELECTRICAL CHARACTERISTICS (Ta = 25°C, V_{CC} = 12V)

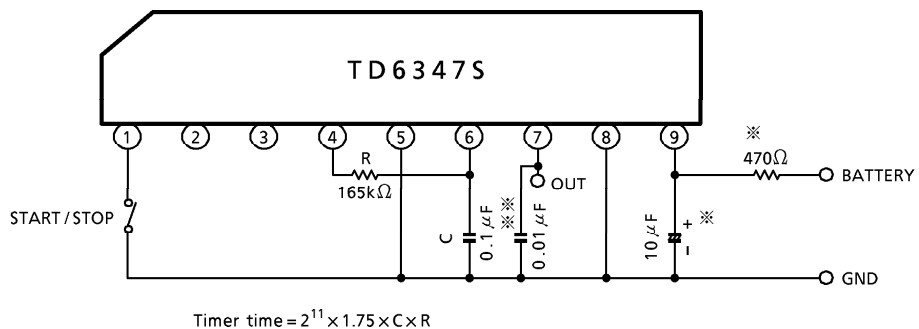
CHARACTERISTIC	SYMBOL	PIN	TEST CIR-CUIT	TEST CONDITION	MIN.	TYP.	MAX.	UNIT
Current Consumption	I _{CC}	V _{CC}	—	OUT = OFF	—	—	1.0	mA
Input Threshold Voltage	V _{TH}	DI1	—	—	5.4	6	6.6	V
		DI2	—	—	5.4	6	6.6	
		DI3	—	START mode	8.1	9	9.9	
			—	STOP mode	2.7	3	3.3	
Input Current	I _{IL}	DI1	—	V _{IL} = 0V	—	—	-1.0	mA
		DI2	—	V _{IL} = 0V	—	—	-1.0	
		DI3	—	V _{IL} = 0V	—	—	-0.25	
	—		V _{IH} = 12V	—	—	0.25		
Output Voltage	V _{OL}	OUT	—	I _{OL} = 200mA	—	—	1.3	V
Output Leakage Current	I _{LEAK}		—	V _{OUT} = 30V	—	—	100	μA
Input Current	I _{IN}	C _T	—	V _{IN} = 1 to 4V	—	—	±1	μA
Output Voltage	V _{OH}	R _T	—	I _{OH} = 50μA	3.5	3.9	4.3	V
	V _{OL}		—	I _{OL} = 50μA	—	—	0.3	

EXAMPLE OF APPLICATION CIRCUIT

(1) 15-minute timer (using DI3)



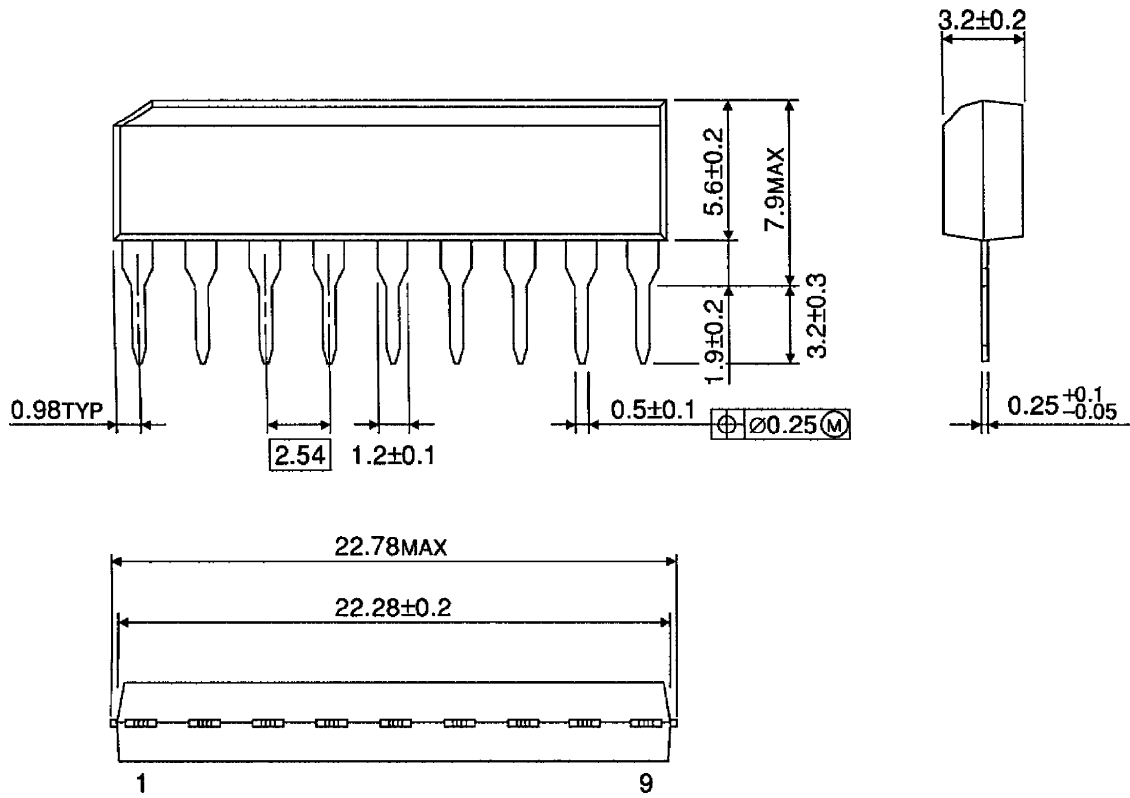
(2) 56-second timer (using DI1)



- ※ If the IC is used with a regulated power supply which is free from surge voltage, the CR combination is unnecessary.
- ※※ For negative surge absorption

OUTLINE DRAWING
SIP9-P-2.54A

Unit : mm



Weight : 0.92g (Typ.)